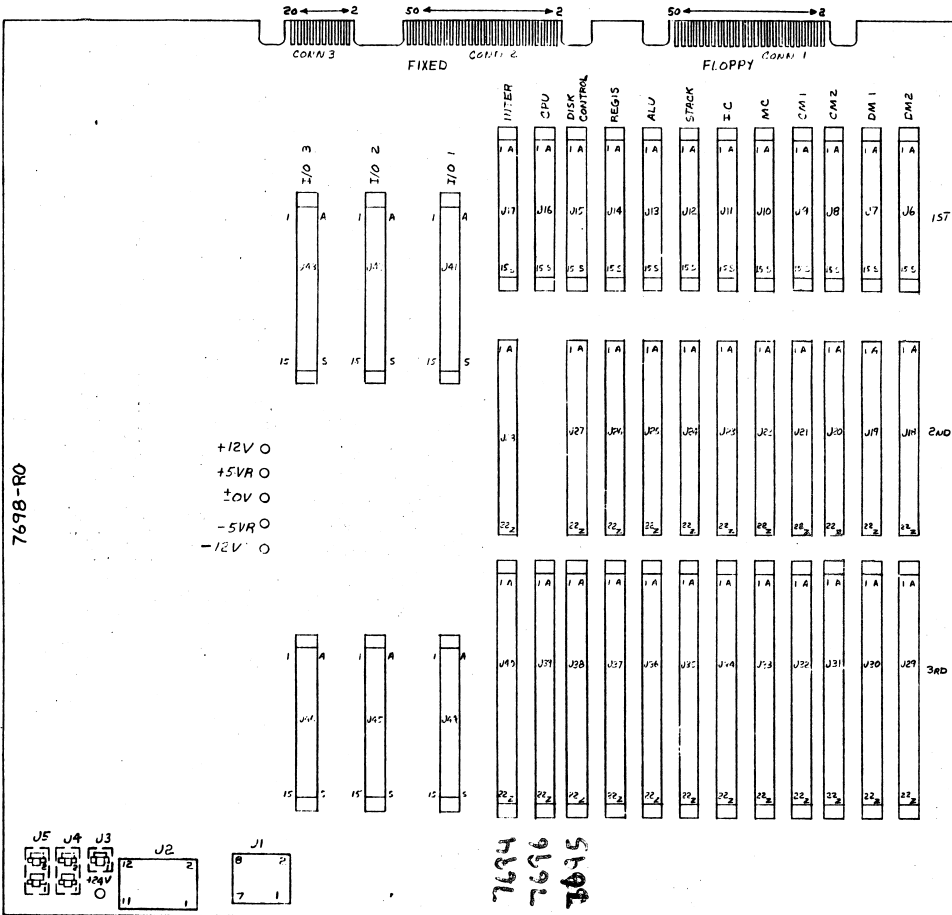


11 10 9 8 7 5 4 3 2 1

DO NOT SCALE

THIS DRAWING AND THE DATA SHOWN THEREIN ARE THE CONFIDENTIAL PROPERTY OF WANG AND PROPRIETARY TO WANG LABORATORIES, INC. THE ENGINEER AND THE DATA ENGINEER THEREON MAY NOT BE REPRODUCED WITHOUT THE WRITTEN CONSENT OF WANG LABORATORIES, INC. IN ANY MANNER WITHOUT THE WRITTEN CONSENT OF WANG LABORATORIES, INC. IF FOR ANY REASON THIS DRAWING IS REPRODUCED BY ANYONE TO LEAVE THE PHYSICAL POSSESSION OF THIS COMPANY, IT IS RETURNABLE TO THE COMPANY OF WANG LABORATORIES, INC.

COMPONENT	TYPE	W/L PART NO.
J1	8 POS PIN HEADER	654-1190
J2	12 POS PIN HEADER	654-1172
J3,4,5	MALE CONTACT	654-3001
J6-17,41-46	30 PIN CONN	350-0011
J18-28	44 PIN CONN	350-0039
J29-J40	44 PIN CONN	350-0021



J5	J4	J3	J2	J1
11	12	13	14	15
16	17	18	19	20

7694
9692
5192

E-REV
0

REV	DATE	BY	DESCRIPTION
1	2-2-80	J.P.F.	ORIGINATED PER
2	2-2-80	J.P.F.	APPROVED BY
3	2-2-80	J.P.F.	APPROVED BY
4	2-2-80	J.P.F.	APPROVED BY
5	2-2-80	J.P.F.	APPROVED BY

WANG LABORATORIES, INC. CORP. BOSTON, MASS. U.S.A.		BY DWN AB	DATE 2/7/80	APPROVED BY E ENGR R SMITH	DATE 2-2-80
MATERIAL	MODEL NO. 2200 LVP	SER ENGR. SPECIFICATIONS BY ONE J.P.F.	TITLE MOTHERBOARD	BY MFG ENGR	
FINISH	TOL. GR. AS NOTED	22 ±	23 ±	24 ±	25 ±
	SCALE	1/8" = 1"	210-7	D	7698 1

10 9 8 7 5 4 3 2 1

DO NOT SCALE

SIGNAL	70 L23	MARK	INTERFAC 1644	CPW 746	DRIVE 746	RES 6713	ALU 6792	SPRKE 6771	IC 6790	MC 6789	GM 1 7588	DM 2 7588	DM 1 2587	COM 2 COM 1	COM 2 COM 1
AB															
A1															
A2															
A3															
ABT															
ABE															
AB3															
AB4															
AB5															
AB6															
AB7															
AB8															
AB9															
ABUS 0															
ABUS 1															
ABUS 2															
ABUS 3															
ABUS 4															
ABUS 5															
ABUS 6															
ABUS 7															
ADDEOU															
ALORTR															
AMP															
B															
BRCA															
BRANCH															
B0															
B1															
B2															
B3															
B4															
B5															
B6															
B7															
CA															
CA0															
CA1															
CA2															
CA3															
CA4															
CA5															
CA6															
CA7															
CA8															
CA9															
CA10															
CA11															
CBUS 0															
CBUS 1															
CBUS 2															
CBUS 3															
CBUS 4															
CBUS 5															
CBUS 6															
CBUS 7															
CS0 0															
CS0 1															
CS0 2															
CS0 3															
CS0 4															
CS0 5															
CS0 6															
CS0 7															
CS0 8															
CS0 9															
CS0 10															
CS0 11															
CS0 12															
CS0 13															
CS0 14															
CS0 15															
CS0 16															
CS0 17															
CS0 18															
CS0 19															
CS0 20															
CS0 21															
CS0 22															
CS0 23															

SEE SHEET A

THIS DRAWING AND THE DATA HEREON ARE THE PROPERTY OF WANG COMMUNICATIONS, INC. AND ARE TO BE USED ONLY FOR THE PROJECT AND PURPOSE SPECIFIED HEREON. NO PART OF THIS DRAWING OR THE DATA HEREON IS TO BE REPRODUCED OR TRANSMITTED IN ANY FORM OR BY ANY MEANS, ELECTRONIC OR MECHANICAL, INCLUDING PHOTOCOPYING, RECORDING, OR BY ANY INFORMATION STORAGE AND RETRIEVAL SYSTEM, WITHOUT THE WRITTEN PERMISSION OF WANG COMMUNICATIONS, INC.

WANG COMMUNICATIONS, INC.

2200 LVP

1000 MARKET STREET, PHILADELPHIA, PA 19104

TEL: 215-381-8000

FAX: 215-381-8001

DATE: 7/86

BY: [Signature]

APPROVED BY: [Signature]

PROJECT: MOTHER BOARD

NO. D 7690

SIGNAL	JACK	WIRE/PAIR	CPU	DISK/C	REG	ALU	STACK	I/C	MC	CM 1	CM 2	DM 1	DM 2	CONN 1	CONN 2	CONN 3
	76 54	76 54	76 54	76 54	76 54	6792	6791	6790	6789	7588	7588	7587	7587			
ICC 0																
ICC 1																
ICC 2																
ICC 3																
ICC 4																
ICC 5																
ICC 6																
ICC 7																
ICC 8																
ICC 9																
ICC 10																
ICC 11																
ICC 12																
ICC 13																
ICC 14																
ICC 15																
LBK																
LPMC																
LHPC																
LPY																
LOP																
WAR CLK																
MFA WRITE DATA																
INTX																
M51																
M52																
M53																
M54																
M55																
M56																
M57																
M58																
OB5																
OB7																
OB2																
OB3																
OB4																
OB5																
OB6																
OB7																
OB8																
PARITY ERROR																
PAG																
PAT																
PEDM																
PECM																
PCCC																
PINC																
POR																
PARMS																
PORT 0																
PORT 1																
PORT 2																
PORT 3																
PORT 4																
PORT 5																
PORT 6																
PORT 60																
PH 0																
PH 1																
PH 2																
PH 3																
PH 4																
PH 5																
PH 6																
PH 7																
PL 0																
PL 1																
PL 2																
PL 3																
PL 4																
PL 5																
PL 6																
PL 7																
READY/BUSY																
READY/READY																
READ DATA																
REF																
RESET																
REF CLK																
RDS																
RDS																
R/W																
RWCLK																
RA 0																
RA 1																
RA 2																
RA 3																
RA 4																
RA 5																

THIS DOCUMENT CONTAINS INFORMATION OF A CONFIDENTIAL NATURE AND IS THE PROPERTY OF THE COMPANY. IT IS TO BE KEPT SECRET AND NOT TO BE DISCLOSED TO ANY OTHER PERSON OR ORGANIZATION WITHOUT THE WRITTEN PERMISSION OF THE COMPANY. THE COMPANY ASSUMES NO LIABILITY FOR DAMAGE TO OR LOSS OF INFORMATION CONTAINED HEREIN. THE COMPANY WILL NOT BE RESPONSIBLE FOR THE REPRODUCTION OF THIS DOCUMENT BY ANY OTHER PERSON OR ORGANIZATION.

BY	DATE	APPROVED BY	DATE
DOWN R-5	3/4/80	E ENGR	
		M ENGR	
		MFO ENGR	
TITLE			
MOTHER BOARD			
PART NUMBER			
210-7698			
D	7698	1	

8697 D

SIGNAL	J10 1,2,3	JACK	INVERTER 7694	CPU DISK C 7696, 7695	REG	ALU 6782	STACK 6791	J.C 6770	MC 6789	CM1 7588	DM1 7587	DM2 7587	CONN 1	CONN 2	CONN 3	
R0																
R1					J1	13	131	131	P1							
R2					162	182	162	162	162							
R3					142	182	162	162	162							
R4					112	182	162	162	162							
R5					112	182	162	162	162							
R6					112	182	162	162	162							
R7					112	182	162	162	162							
R8					112	182	162	162	162							
R9					112	182	162	162	162							
R10					112	182	162	162	162							
R11					112	182	162	162	162							
R12					112	182	162	162	162							
R13					112	182	162	162	162							
R14					112	182	162	162	162							
R15					112	182	162	162	162							
R16					112	182	162	162	162							
R17					112	182	162	162	162							
R18					112	182	162	162	162							
R19					112	182	162	162	162							
R20					112	182	162	162	162							
R21					112	182	162	162	162							
R22					112	182	162	162	162							
S8					J1	172	192	192								
SDF					162											
SELECTED					142											
SEER COMP					112											
SEER CLK #					112											
SEER CLK -					112											
SERIAL ARM CLK					112											
SIDE SEL					182											
SMD																
S0																
S1																
S2																
S3																
S4																
S5																
S6																
S7																
STEP					212											
STOP																
SWITCH																
SR																
TAP																
TRIGGER																
TT																
T2																
T3																
T4																
T5																
T6																
T7																
T8																
T9																
T10																
T11																
T12																
T16																
TRIP																
TRIP																
TWO SIDED																
WRITE																
WRITE DATA																
WRITE GATE																
WRITE PROJECT																
WTS																
XPA																
XOP																
ZUM1																
ZUD																
ZUR																
Z200 INT																
INAME																
Z1 FREQ																

THIS DRAWING AND THE DATA THEREON ARE THE PROPERTY OF THE UNITED STATES GOVERNMENT AND ARE LOANED TO YOU BY THE NATIONAL BUREAU OF STANDARDS. IT IS TO BE KEPT IN YOUR OFFICE AND NOT REPRODUCED OR TRANSMITTED IN ANY FORM OR BY ANY MEANS, ELECTRONIC OR MECHANICAL, INCLUDING PHOTOCOPYING, RECORDING, OR BY ANY INFORMATION STORAGE AND RETRIEVAL SYSTEM. THE UNITED STATES GOVERNMENT ASSUMES NO LIABILITY FOR THE RESULTS OF THE USE OF THIS DRAWING OR DATA.

BY	DATE	APPROVED BY	DATE
WTRAD	2/6/80	AS ENGR	
		BIG ENGR	
TITLE			
MOTHER BOARD			
210-7698	D	7698	1
DATE PLOTTED	SIZ	DRAWING NUMBER	PT

8697 D

11

10

9

8

7

5

4

3

2

1

DO NOT SCALE

THIS DRAWING AND THE DATA SHOWN THEREIN ARE THE PROPERTY OF HARRIS LABORATORIES, INC. THE DRAWING AND THE DATA SHOWN THEREIN MAY NOT BE REPRODUCED OR TRANSMITTED IN ANY FORM OR BY ANY MEANS, ELECTRONIC OR MECHANICAL, INCLUDING PHOTOCOPYING, RECORDING, OR BY ANY INFORMATION STORAGE AND RETRIEVAL SYSTEM, WITHOUT THE WRITTEN CONSENT OF HARRIS LABORATORIES, INC. THE COMPANY WILL BE RESPONSIBLE FOR THE DEMAND OF HARRIS LABORATORIES.

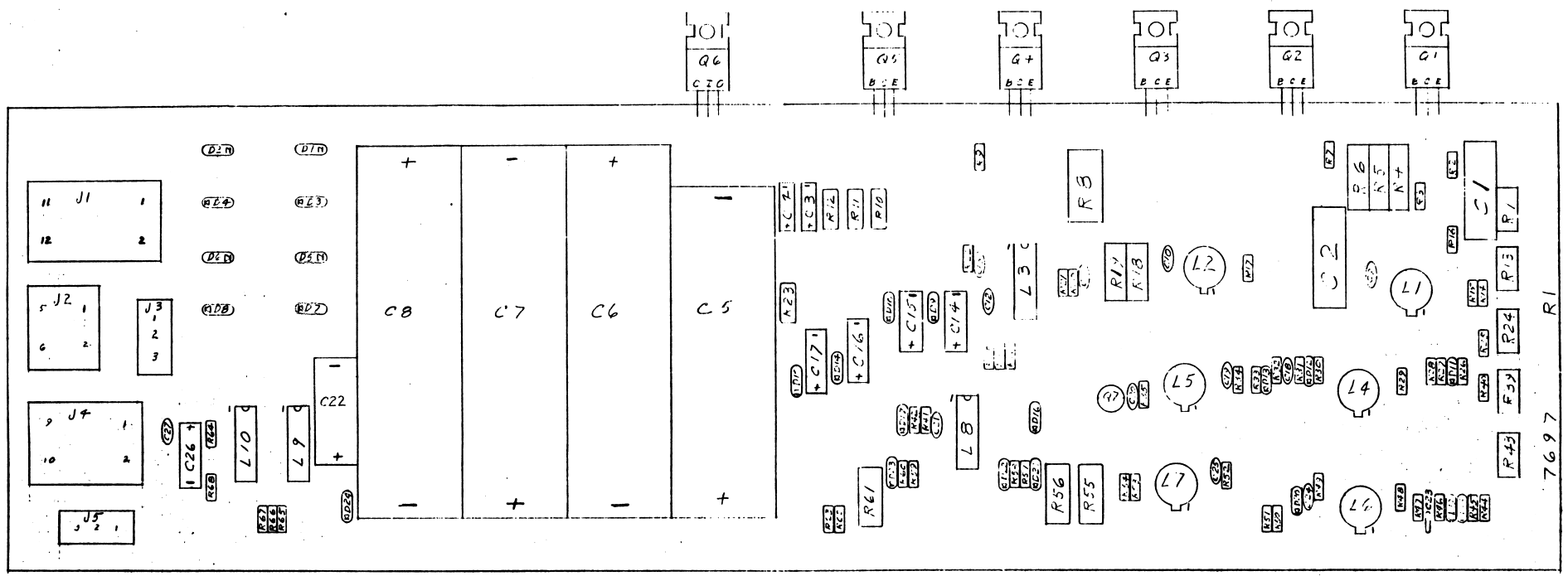
SIGNAL	T/O	S.P.	JACK	INTRA-FACE	CPU	DISK C	REG	ALU	STACK	I.C.	MIC	CM 1	CM 2	DM 1	DM 2	COMP COMP		
																1	2	
3.0V	C1	30V	J5-1	I1	I1	A1	I1	I1	I1	I1	I1	I1	I1	I1	I1	I1	1.35	1.35
	B1		J5-2	A1	A1	A1	A1	A1	A1	A1	A1	A1	A1	A1	A1	A1	1.35	1.35
	B2		J2-1	A1	A1	A1	A1	A1	A1	A1	A1	A1	A1	A1	A1	A1	1.35	1.35
+5VR	B1		J2-3	B1	B1	B1	B1	B1	B1	B1	B1	B1	B1	B1	B1	B1	1.35	1.35
	B2		J2-4	B1	B1	B1	B1	B1	B1	B1	B1	B1	B1	B1	B1	B1	1.35	1.35
-5VR	B1		J2-5	B1	B1	B1	B1	B1	B1	B1	B1	B1	B1	B1	B1	B1	1.35	1.35
	B2		J2-6	B1	B1	B1	B1	B1	B1	B1	B1	B1	B1	B1	B1	B1	1.35	1.35
+12V	B1		J2-7	B1	B1	B1	B1	B1	B1	B1	B1	B1	B1	B1	B1	B1	1.35	1.35
	B2		J2-8	B1	B1	B1	B1	B1	B1	B1	B1	B1	B1	B1	B1	B1	1.35	1.35
-12V	B1		J2-9	B1	B1	B1	B1	B1	B1	B1	B1	B1	B1	B1	B1	B1	1.35	1.35
	B2		J2-10	B1	B1	B1	B1	B1	B1	B1	B1	B1	B1	B1	B1	B1	1.35	1.35
+24V	B1		J2-11	B1	B1	B1	B1	B1	B1	B1	B1	B1	B1	B1	B1	B1	1.35	1.35
	B2		J2-12	B1	B1	B1	B1	B1	B1	B1	B1	B1	B1	B1	B1	B1	1.35	1.35
CH GND	B1		J2-13	B1	B1	B1	B1	B1	B1	B1	B1	B1	B1	B1	B1	B1	1.35	1.35
	B2		J2-14	B1	B1	B1	B1	B1	B1	B1	B1	B1	B1	B1	B1	B1	1.35	1.35
SPARE	B1		J2-15	B1	B1	B1	B1	B1	B1	B1	B1	B1	B1	B1	B1	B1	1.35	1.35
	B2		J2-16	B1	B1	B1	B1	B1	B1	B1	B1	B1	B1	B1	B1	B1	1.35	1.35
SPARE	B1		J2-17	B1	B1	B1	B1	B1	B1	B1	B1	B1	B1	B1	B1	B1	1.35	1.35
	B2		J2-18	B1	B1	B1	B1	B1	B1	B1	B1	B1	B1	B1	B1	B1	1.35	1.35

SEE SHEET 6

HARRIS LABORATORIES, INC. FREDERICK, MARYLAND		BY	DATE	APPROVED BY	DATE
DRAWING NO. 2200 LVP		CHKD	2/6/80	IN CHARGE	
TITLE		CHKD		INFO ENGINEER	
MOTHER BOARD					
D 7698					

THIS DRAWING AND THE DATA HEREON THEREON ARE THE CONFIDENTIAL PROPERTY OF AND ARE LOANED TO YOU BY WANG LABORATORIES, INC. THIS DRAWING AND THE DATA HEREON ARE NOT TO BE REPRODUCED, COPIED, TRANSMITTED OR IN ANY MANNER DISCLOSED TO ANY OTHER PERSON OR ENTITY WITHOUT THE EXPRESS WRITTEN CONSENT OF WANG LABORATORIES, INC. IN NO WAY SHALL THE DESIGN OR INVENTION HEREON BE CONSIDERED TO BE THE PROPERTY OF THE COMPANY, IT IS HEREBY ASSIGNED TO THE COMPANY OR WANG LABORATORIES, INC. THE SIGNATURE OF WANG LABORATORIES, INC.

DO NOT SCALE



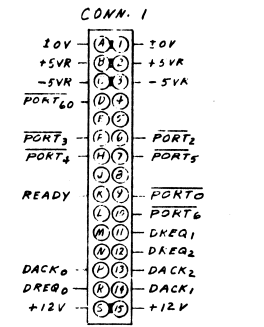
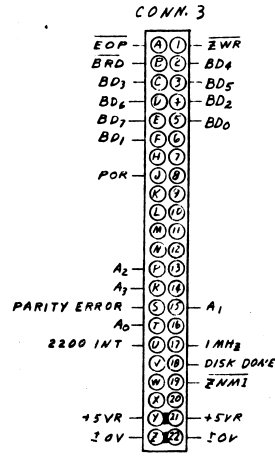
G
F
E
D
C
B
A
7697

(WANG) LABORATORIES, INC. WANG LABORATORIES, INC.		BY	DATE	APPROVED BY	DATE
		CHKD			
MATERIAL	MODEL NO. 2205LVP	TITLE REGULATOR			
SEE ENGR. SPECIFICATIONS:		SCALE 1/8" = 1" PART 2 OF 4			
FINISH	THE IS AT DRAWN	219-7697	D	7697	1
	11 ±	FRAC ±			
	100 ±	ANG ±			
		TOLER.			

11
10
9
8
7
6
5
4
3
2
1

THIS DRAWING AND THE DATA SHOWN THERE ARE THE CONFIDENTIAL PROPERTY OF WANG LABORATORIES, INC. AND THE DATA SHOWN HEREIN IS NOT TO BE REPRODUCED OR TRANSMITTED IN ANY FORM OR BY ANY MEANS, ELECTRONIC OR MECHANICAL, INCLUDING PHOTOCOPYING, RECORDING, OR BY ANY INFORMATION STORAGE AND RETRIEVAL SYSTEM, WITHOUT THE WRITTEN PERMISSION OF WANG LABORATORIES, INC. THE COMPANY, 210 WASHINGTON STREET, CAMBRIDGE, MASSACHUSETTS 02142.

DO NOT SCALE



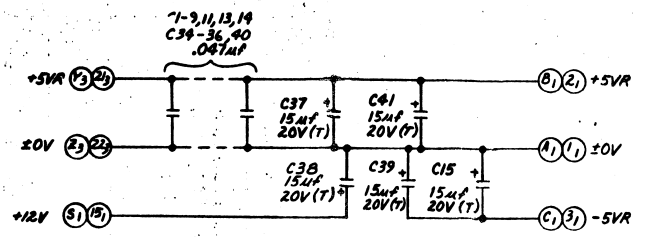
IC LOCATION	SPARES	TYPE
L4	1	LS74
L5	2	7411
L6	1	BT97
L13	2	7400
L14	1	LS32
L4B	2	LS32
L15	1	740B
L16	1	7432
L19	2	S04
L22	1	LS36B
L52	2	S00

LOCATION	W.L. PART NO.	TYPE
11,2,3,10,20,21		SPARE
24	376-0155	ALS74
L5	376-0194	7411
L6	376-0189	BT97
L7	376-0235	74LS61
L8	376-0014	7400
L11,14,4B	376-0011	74LS32
L12	376-0258	74LS241
L13	376-0022	7400
L15	376-0051	7400
L16,17	376-0073	7432
L15,47	376-0056	7471
L19	376-0197	74504
L22	376-0193	74LS36B
L23,24	376-0298	74513B
L25	SEE CHART	DM9517
L26-29	SEE CHART	270B
L30	SEE CHART	280A-CPU
L31,3B	376-0286	745374
L32	376-0324	74125
L33	376-0242	74LS280
L34,35	376-0217	74S157
L36	376-0335	74S139
L37	SEE CHART	280A-CTC
L38-46	SEE CHART	MS4116
L49,50	376-0284	74LS241
L51	376-0200	74S08
L52	376-0228	74S00
L25,30	376-9011	40 PIN SOCKET
L26-29	376-9003	24 PIN SOCKET
L37	376-9015	28 PIN SOCKET
L38-44	376-9002	16 PIN SOCKET

COMPONENT	W.L. PART NO.	TYPE
R1-12,18,29,32	330-3010	1K 1/4W 10%
R13	330-3022	2.2K 1/4W 10%
R14	330-2022	220Ω 1/4W 10%
R15	330-3018	1.0K 1/4W 10%
R16,27,31	330-2033	330Ω 1/4W 10%
R17,20-26,30,31	330-1022	22Ω 1/4W 10%
R19	330-1082	82Ω 1/4W 10%
R33	330-4010	10K 1/4W 10%
C1-9,11,13,14,34-36,40	350-190C	.047μF (C)
C10	300-1010	10PF 10% 500V (C)
C12	300-1220	220PF 500V (C)
C15,37-39,41	300-4022	15μF 20V (T)
C16-33	300-1930	1μF 1/4W 50V
D1	300-1001	516 DIODE
SW1	325-1503	SLIDE SW SPST
RTAL1	321-0009	8MHZ 5% QUARTZ

MNEMONIC	COORDINATE
AO-A3	1 G 1
BD0-BD7	2 A 5
BRD	1 A 9
BWR	1 A 9
DACK0-DACK2	1 A 10
DISK DONE	2 F 11
DREQ0-DREQ1	1 B 11
EOP	1 C 11
PAS-YERROR	2 D 1
POK	2 E 11
PORT0-PORT6	2 G 1
PORT60	2 E 1
READY	1 C 11
ZWR2	1 G 11
2200 INT	2 F 11
1MHZ	2 A 6

210	209	L25	L26-L29	L30	L37	L38-L46
7696-A	7696	377-038B	377-0317	377-036B	377-0371	377-0345



E-REV

DATE: 10-10-80
BY: J. J. J.
CHECKED BY: J. J. J.
APPROVED BY: J. J. J.

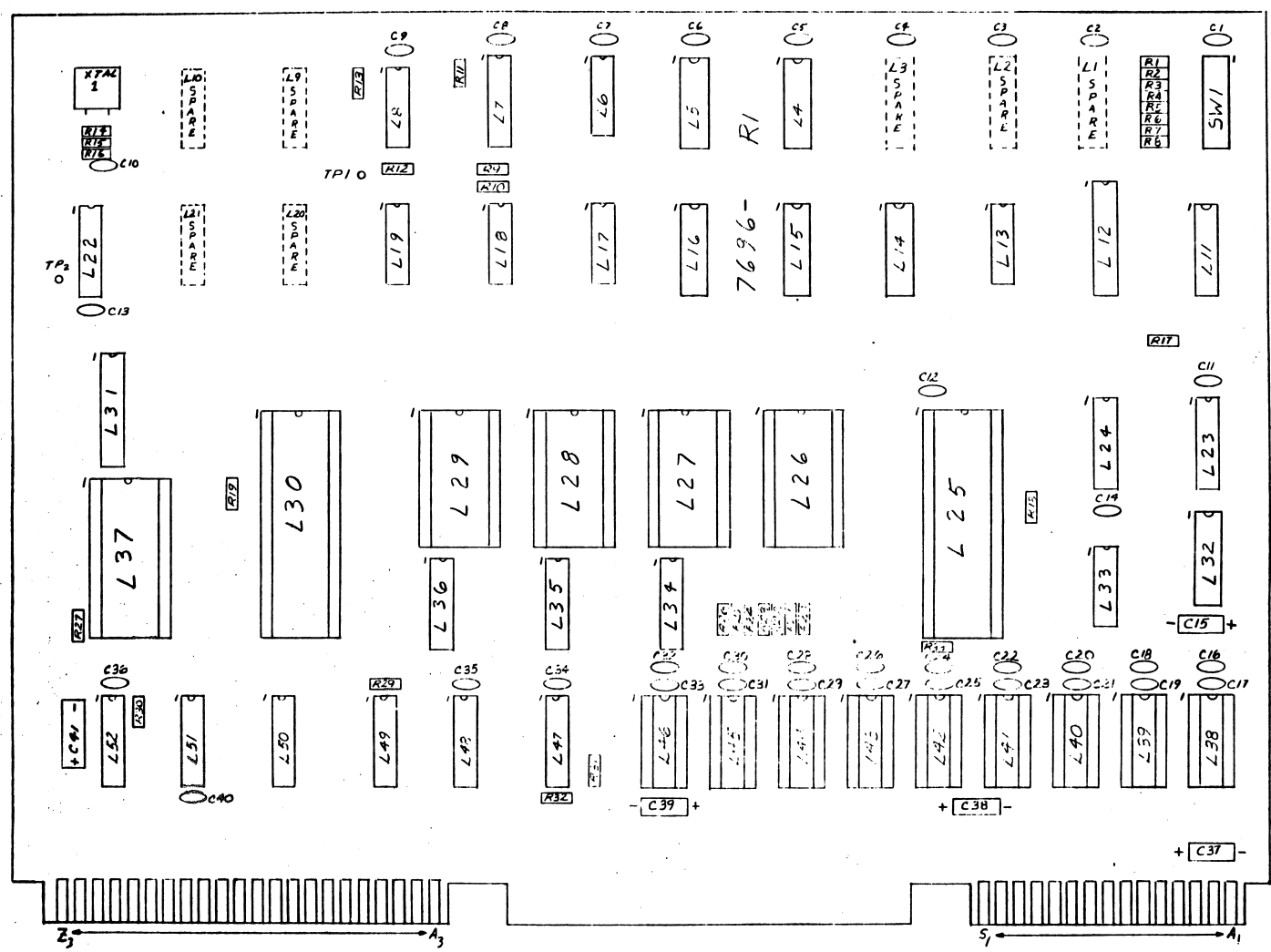
WANG LABORATORIES, INC. WALTHAM, MASS.		BY: <i>J. J. J.</i>	DATE: <i>10/10/80</i>	APPROVED BY: <i>J. J. J.</i>	DATE: <i>10/10/80</i>
MATERIAL:	MODEL NO: 2200LVP	TITLE: MICROCOMPUTER & MEMORY			
SERIAL NO: 7696-A		DRAWN BY: <i>J. J. J.</i>			
PART NO: 7696-A		CHECKED BY: <i>J. J. J.</i>			
REV: 1		DATE: 10/10/80			
SCALE: 1:1		SHEET: 1 OF 1			

11 10 9 8 7 6 5 4 3 2 1

G
F
E
D
C
B
A

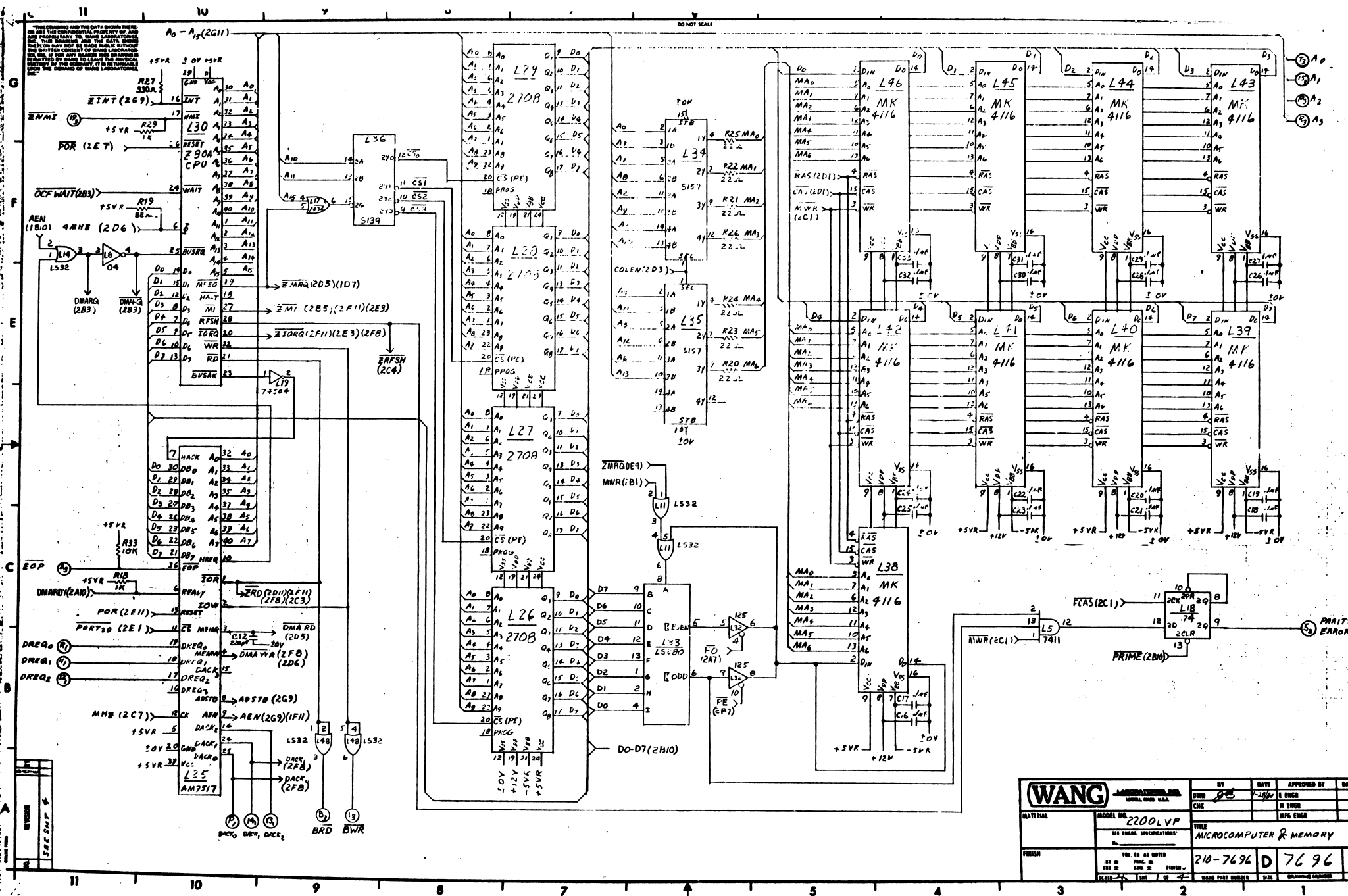
THIS DRAWING AND THE DATA HEREON THEREOF ARE THE CONFIDENTIAL PROPERTY OF WANG AND WILL BE KEPT AS SUCH UNLESS OTHERWISE SPECIFIED. THIS DRAWING AND THE DATA HEREON ARE NOT TO BE REPRODUCED OR TRANSMITTED IN ANY FORM OR BY ANY MEANS, ELECTRONIC OR MECHANICAL, INCLUDING PHOTOCOPYING, RECORDING, OR BY ANY INFORMATION STORAGE AND RETRIEVAL SYSTEM, WITHOUT THE WRITTEN PERMISSION OF WANG LABORATORIES, INC. IN ANY CITY, STATE, OR COUNTRY. IT IS HEREBY AGREED BY YOU TO MAINTAIN THE CONFIDENTIALITY OF THIS DRAWING AND THE DATA HEREON AS A CONDITION OF YOUR EMPLOYMENT WITH WANG LABORATORIES, INC.

DO NOT SCALE



WANG LABORATORIES, INC. SPRING HOUSE, PA.		BY CMB	DATE 1/16/76	APPROVED BY E ENGR	DATE
MATERIAL	MODEL NO. 2200LVP				
	SAY ENGINE SPECIFICATIONS:				
	TITLE MICROCOMPUTER & MEMORY				
QUANTITY	FOR AS NOTED				
	REQ. IN	210-7696	D	7696	1
	AND IN				
	FINISH				
	SCALE				
	SHEET NO. OF				
	THIS PART NUMBER				
	REV.				
	QUANTITY ORDERED				

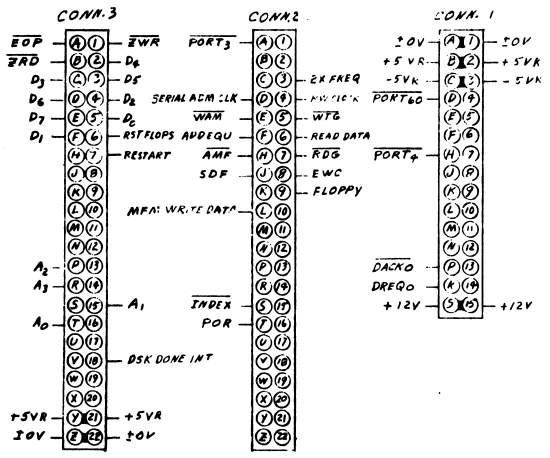
7696 D



WANG		BY	DATE	APPROVED BY	DATE
MATERIAL		OWN	1-28-78	E. ENGEL	
MODEL NO. 2200LVP		CHE		IN CHRG	
SEE ENGINE SPECIFICATIONS				DATE TIME	
TITLE		MICROCOMPUTER & MEMORY			
PART NO. AS SHOWN		210-7696 D 7696 1			
REV. NO. 2		DATE PART NUMBER			
REV. NO. 2		DATE PART NUMBER			

THIS DRAWING AND THE DATA THEREON ARE THE CONFIDENTIAL PROPERTY OF AND ARE PROPRIETARY TO WANG LABORATORIES, INC. THE COORDINATE AND THE DATA THEREON MAY NOT BE REPRODUCED OR TRANSMITTED IN ANY FORM OR BY ANY MEANS, ELECTRONIC OR MECHANICAL, INCLUDING PHOTOCOPYING, RECORDING, OR BY ANY INFORMATION STORAGE AND RETRIEVAL SYSTEM, WITHOUT THE WRITTEN CONSENT OF WANG LABORATORIES, INC. IF YOU HAVE BEEN THIS DRAWING IS REPRODUCED OR TRANSMITTED IN ANY FORM OR BY ANY MEANS, ELECTRONIC OR MECHANICAL, INCLUDING PHOTOCOPYING, RECORDING, OR BY ANY INFORMATION STORAGE AND RETRIEVAL SYSTEM, WITHOUT THE WRITTEN CONSENT OF WANG LABORATORIES, INC.

DO NOT SCALE



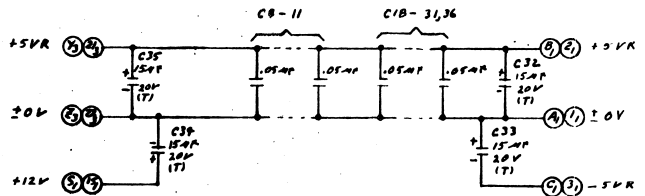
LOCATION	W.L. PART NO	TYPE
L1,2	376-0011	74LS176
L3	376-0011	74LS176
L4	376-0206	74LS139
L5,15,16	376-0081	7408
L6,26,27	376-0215	74LS133
L7	376-0012	74LS1
L8	376-0443	9401
L9,21,22,52	376-0010	7404
L10,20	376-0125	7427
L11	376-0026	7486
L12,13,23,28	376-0093	7482
L15,16	376-0330	74393
L15,30	376-0097	74151
L16	376-0278	74LS138
L17,21,22,23	376-0016	7402
L25	376-B002	1512
L2,3	376-0087	7455
L33,34	376-0323	74LS25
L35,35,59	376-0297	74LS25
L37		5642
L38	376-0318	74276
L39	376-0247	74S174
L40,58,60	376-0002	7474
L41	376-0194	7411
L44,56	376-0340	74S51
L45,46,55	376-0082	74157
L47	376-0303	74LS299
L48	376-0003	7410
L49	376-0073	74173
L50	376-0200	74S08
L51	376-0201	74S04
L57	376-0159	74LS174
L58	376-0288	74LS244
L1,2,3	376-9003	28 PIN SOCKET

COMPONENT	W.L. PART NO	TYPE
PL5,6,8	330-3027	2.7K 1/4W 10%
R2	330-3010	1K 1/4W 10%
R3	330-2015	150Ω 1/4W 10%
R4	330-2033	33Ω 1/4W 10%
R7,1	330-3022	8.2K 1/4W 10%

IC TYPE	LOC	SPARES
7402	L21	1
	L42	3
74S08	L50	1
7410	L48	2
7411	L41	1
7427	L10	2
	L20	1
7430	L11	3
7474	L50	1
7486	L11	2

MEMORIC	COORDINATE
A0-A3	1G11
ADDEQU	1G1
AMP	2C11
D0-D7	1E1
DAKRO	1A11
DK DONE INT	2D1
DREQ	1B1
EOP	1A11
EWC	2G3
FLOPPY	1A9
INDEX	2G11
MFM WRITE DATA	2E1
POR	2E11
PORT3	2A11
PORT6	1C11
PORTCO	1F11
RDG	2A6
READ DATA	1B11
RESTART	2D1
RST FLOPS	2A11
RW CLOCK	2D11
SDF	1A9
SERIAL ADM CLOCK	2G3
WAM	2A5
WTE	2A4
ZRD	1C11
ZWR	1C11
ZK FREQ	2G6

210=299 +377 OR 378			
210	209	L1	L2
7695-A	7695	377-0348	377-0348
		377-0348	377-0317



REV	DATE	BY	DESCRIPTION
1			
2			
3			
4			
5			
6			
7			
8			
9			
10			

WANG LABORATORIES, INC.		BY	DATE	APPROVED BY	DATE
MODEL NO. 2200 LVP		DWR	7/90	E ENGR	
SER ENGNO SPECIFICATION		CHG		M ENGR	
TITLE		FIXED/FLOPPY D/A CONTROLLER			
FINISH		209-7695	D	7675	1
SCALE		DATE PART NUMBER			

E-REV

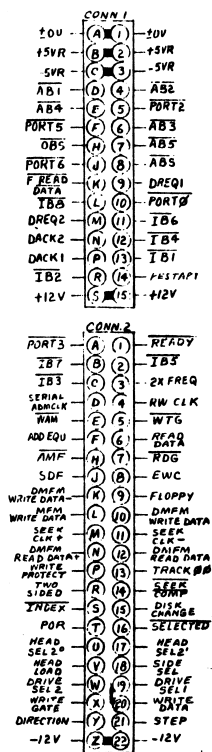
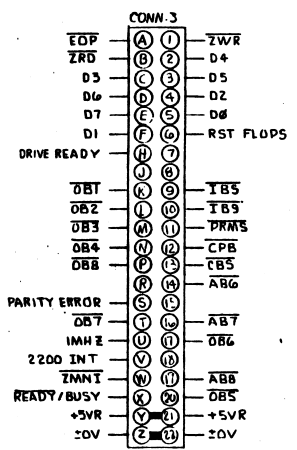
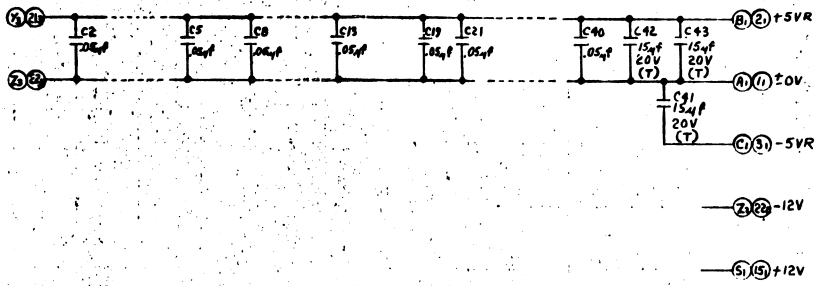
THIS DRAWING AND THE DATA THEREON ARE THE PROPERTY OF WANG LABORATORIES, INC. THE DRAWING AND THE DATA THEREON ARE NOT TO BE REPRODUCED OR TRANSMITTED IN ANY FORM OR BY ANY MEANS, ELECTRONIC OR MECHANICAL, INCLUDING PHOTOCOPYING, RECORDING, OR BY ANY INFORMATION STORAGE AND RETRIEVAL SYSTEM, WITHOUT THE WRITTEN PERMISSION OF WANG LABORATORIES, INC. THIS DRAWING IS UNCLASSIFIED EXCEPT WHERE SHOWN OTHERWISE.

DO NOT SCALE

LOCATION	W.L. PART NO.	TYPE
L1	376-0179	74368
L2,12	376-0217	74LS157
L3,8,19,41,43	376-0006	7474
L4,32	376-0194	7411
L5	376-0273	74LS124
L6,39,44	376-0002	7400
L7,17,30	376-0055	7406
L9,20,27,47	376-0010	7404
L10	376-0292	HA2625
L11	376-0195	DG200
L13,26	376-0307	74LS393
L14	376-0197	74S04
L15	376-0184	74551
L16	376-0029	7405
L18	376-0125	7427
L21,54,55	376-0288	74LS244
L22	376-0104	74602
L23	376-0201	74564
L24,60	376-0318	74276
L25,34,40,42,45	376-0093	7432
L28	376-0255	75110
L29	376-0146	75107
L31,35	376-0016	7402
L33,48	376-0081	7408
L36	376-0102	74164
L37,38	376-0259	74S05
L46	376-0031	7430
L49	376-0202	74574
L50,51	376-0097	74195
L52,57	376-0286	74LS374
L63,56,58	376-0297	74LS240
L59	376-0310	74LS373

COMPONENT	W.L. PART NO.	TYPE
R1,3	330-2022	220Ω 1/4W 10%
R2	330-3018	1.8K 1/4W 10%
R3,14,61,62,63,64,65,66,67,68,69,70,71,72,73,74,75,76,77,78,79,80,81,82,83,84,85,86,87,88,89,90,91,92,93,94,95,96,97,98,99,100,101,102,103,104,105,106,107,108,109,110,111,112,113,114,115,116,117,118,119,120,121,122,123,124,125,126,127,128,129,130,131,132,133,134,135,136,137,138,139,140,141,142,143,144,145,146,147,148,149,150,151,152,153,154,155,156,157,158,159,160,161,162,163,164,165,166,167,168,169,170,171,172,173,174,175,176,177,178,179,180,181,182,183,184,185,186,187,188,189,190,191,192,193,194,195,196,197,198,199,200,201,202,203,204,205,206,207,208,209,210,211,212,213,214,215,216,217,218,219,220,221,222,223,224,225,226,227,228,229,230,231,232,233,234,235,236,237,238,239,240,241,242,243,244,245,246,247,248,249,250,251,252,253,254,255,256,257,258,259,260,261,262,263,264,265,266,267,268,269,270,271,272,273,274,275,276,277,278,279,280,281,282,283,284,285,286,287,288,289,290,291,292,293,294,295,296,297,298,299,300,301,302,303,304,305,306,307,308,309,310,311,312,313,314,315,316,317,318,319,320,321,322,323,324,325,326,327,328,329,330,331,332,333,334,335,336,337,338,339,340,341,342,343,344,345,346,347,348,349,350,351,352,353,354,355,356,357,358,359,360,361,362,363,364,365,366,367,368,369,370,371,372,373,374,375,376,377,378,379,380,381,382,383,384,385,386,387,388,389,390,391,392,393,394,395,396,397,398,399,400,401,402,403,404,405,406,407,408,409,410,411,412,413,414,415,416,417,418,419,420,421,422,423,424,425,426,427,428,429,430,431,432,433,434,435,436,437,438,439,440,441,442,443,444,445,446,447,448,449,450,451,452,453,454,455,456,457,458,459,460,461,462,463,464,465,466,467,468,469,470,471,472,473,474,475,476,477,478,479,480,481,482,483,484,485,486,487,488,489,490,491,492,493,494,495,496,497,498,499,500,501,502,503,504,505,506,507,508,509,510,511,512,513,514,515,516,517,518,519,520,521,522,523,524,525,526,527,528,529,530,531,532,533,534,535,536,537,538,539,540,541,542,543,544,545,546,547,548,549,550,551,552,553,554,555,556,557,558,559,560,561,562,563,564,565,566,567,568,569,570,571,572,573,574,575,576,577,578,579,580,581,582,583,584,585,586,587,588,589,590,591,592,593,594,595,596,597,598,599,600,601,602,603,604,605,606,607,608,609,610,611,612,613,614,615,616,617,618,619,620,621,622,623,624,625,626,627,628,629,630,631,632,633,634,635,636,637,638,639,640,641,642,643,644,645,646,647,648,649,650,651,652,653,654,655,656,657,658,659,660,661,662,663,664,665,666,667,668,669,670,671,672,673,674,675,676,677,678,679,680,681,682,683,684,685,686,687,688,689,690,691,692,693,694,695,696,697,698,699,700,701,702,703,704,705,706,707,708,709,710,711,712,713,714,715,716,717,718,719,720,721,722,723,724,725,726,727,728,729,730,731,732,733,734,735,736,737,738,739,740,741,742,743,744,745,746,747,748,749,750,751,752,753,754,755,756,757,758,759,760,761,762,763,764,765,766,767,768,769,770,771,772,773,774,775,776,777,778,779,780,781,782,783,784,785,786,787,788,789,790,791,792,793,794,795,796,797,798,799,800,801,802,803,804,805,806,807,808,809,810,811,812,813,814,815,816,817,818,819,820,821,822,823,824,825,826,827,828,829,830,831,832,833,834,835,836,837,838,839,840,841,842,843,844,845,846,847,848,849,850,851,852,853,854,855,856,857,858,859,860,861,862,863,864,865,866,867,868,869,870,871,872,873,874,875,876,877,878,879,880,881,882,883,884,885,886,887,888,889,890,891,892,893,894,895,896,897,898,899,900,901,902,903,904,905,906,907,908,909,910,911,912,913,914,915,916,917,918,919,920,921,922,923,924,925,926,927,928,929,930,931,932,933,934,935,936,937,938,939,940,941,942,943,944,945,946,947,948,949,950,951,952,953,954,955,956,957,958,959,960,961,962,963,964,965,966,967,968,969,970,971,972,973,974,975,976,977,978,979,980,981,982,983,984,985,986,987,988,989,990,991,992,993,994,995,996,997,998,999,1000		
R7,8,16	336-1022	2K POT
R11,12	330-2033	33K 1/4W 10%
R13,15	330-3020	2K 1/4W 10%
R14	330-4015	15K 1/4W 10%
R18,39,40	330-3022	2.2K 1/4W 10%
R19,31-35,41-44,46-57	330-2033	330Ω 1/4W 10%
R28	333-0097	16.9K 1/2W 1%
R37,38	330-1056	56Ω 1/4W 10%
XTAL	321-0012	8.6016C MHz
C1	300-1010	100PF 500V 10%
C2-58-13,19,21-40	300-1900	.05μF 12V
C6,20	300-1100	100PF 500V 10%
C7	300-1047	47PF 500V 10%
C14	300-5000	1500PF 50V 5% MCA
C15	300-1300	300PF 500V 10%
C16	300-1068	68PF 500V 10%
C17,18	300-1931	1μF CLR HLFREQ
C41-45	300-4022	15μF 20V TANT
C46	300-16A0	68μF 50V CLR
SW 1	325-1503	8BANK ROCKER SW.
D1	380-1001	SIL DIODE

TYPE	LOCATION	PARTS
74CO	L23	1
	L30	1
7402	L31	3
1404	L9	1
	L27	1
	L7	5
7406	L17	1
	L40	2
7431	L29	2
	L42	2
74551	L15	1
74564	L1	1



MNEMONICS	CO-ORDI-NATE
ABT-ABB	2F11
AB5	2G11
ADD EQU	1x3
AMF	1A6
CB5	1C11
CPB	1C11
D0-D7	2C1
DACK1	1G10
DACK2	2G5
DIRECTION	1G1
DISK CHANGE	1D11
DMFM READ DATA+	2G6
DMFM READ DATA-	2G6
DMFM WRITE DATA	2A5
DMFM WRITE DATA-	2A5
DREQ1,2	2F1
DRIVE SEL1,2	1G1
DRIVE READY	1D11
EGP	2G5
EWC	1F1
F READ DATA	1D11
FLOPPY	1B11
2X FREQ	2A9
IB1-IB9	1A9
IB5	1A11
INDEX	1D11
2200 INT	1A11
MFM WRITE DATA	2G7
1MHZ	2B11
DBT-DB8	1G11
DB5	1C11
PARITY ERROR	2G6
PCR	1G4

MNEMONICS	CO-ORDI-NATE
PORT0	2G5
PORT2	1G6
PORT3	1G5
PORT5	2G2
PORT6	1G7
PRMS	2G10
RDG	1B11
READ DATA	1E1
READY	2E1
READY/BUSY	1A11
RWCLK	2A6
RESTART	1B11
RST FLOPS	1E1
SDF	1G2
SEEK CLOCK+	2A5
SEEK CLOCK-	2A6
SEEK COMP	1D11
SELECTED	2G7
SERIAL ADDR CLOCK	1E1
SIDE SELECT	1G1
STEP	1F1
TRACK #	1D11
TWO SIDED	1E11
WAM	1G7
WRITE DATA	1F1
WRITE GATE	1F1
WRITE PROTECT	1D11
WTG	2D11
ZMNT	2A7
ZRD	1G10
ZWR	1G8

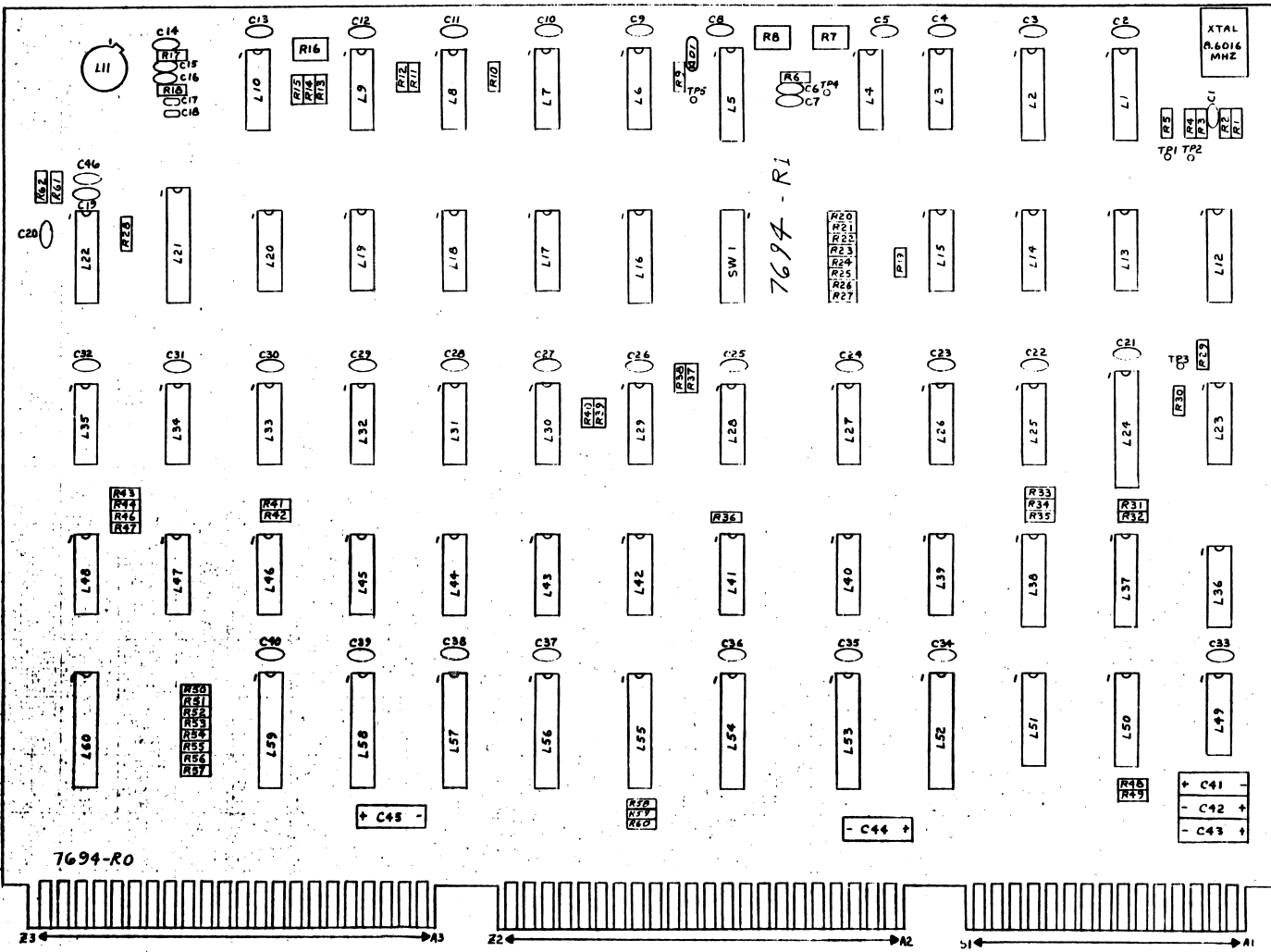
E-REV
0

REV	DATE	BY	CHKD
0	11-13-80	WJ	WJ
1	11-13-80	WJ	WJ
2	11-13-80	WJ	WJ
3	11-13-80	WJ	WJ
4	11-13-80	WJ	WJ
5	11-13-80	WJ	WJ
6	11-13-80	WJ	WJ
7	11-13-80	WJ	WJ
8	11-13-80	WJ	WJ
9	11-13-80	WJ	WJ
10	11-13-80	WJ	WJ

WANG LABORATORIES, INC. LORDSBURG, N.Y.	DATE	APPROVED BY	DATE
	2/13/80	E ENGR	2/13/80
MATERIAL	MODEL NO.	TITLE	
	2200LVP	FIXED/FLOPPY INTERFACE	
FINISH	101 IN AS NOTED	210-7694	D 7694
	101 IN AS NOTED	210-7694	D 7694
	101 IN AS NOTED	210-7694	D 7694

THIS DRAWING AND THE DATA THEREON ARE THE PROPERTY OF WANG LABORATORIES, INC. AND ARE LOANED TO YOU BY WANG LABORATORIES, INC. YOU ARE TO RETURN THIS DRAWING TO WANG LABORATORIES, INC. AT THE END OF THE LOAN PERIOD. YOU ARE NOT TO REPRODUCE OR TRANSMIT THIS DRAWING IN ANY MANNER OR TO MAKE ANY COPIES OF THIS DRAWING. IF YOU HAVE ANY QUESTIONS CONCERNING THIS DRAWING, CONTACT YOUR WANG LABORATORIES, INC. REPRESENTATIVE.

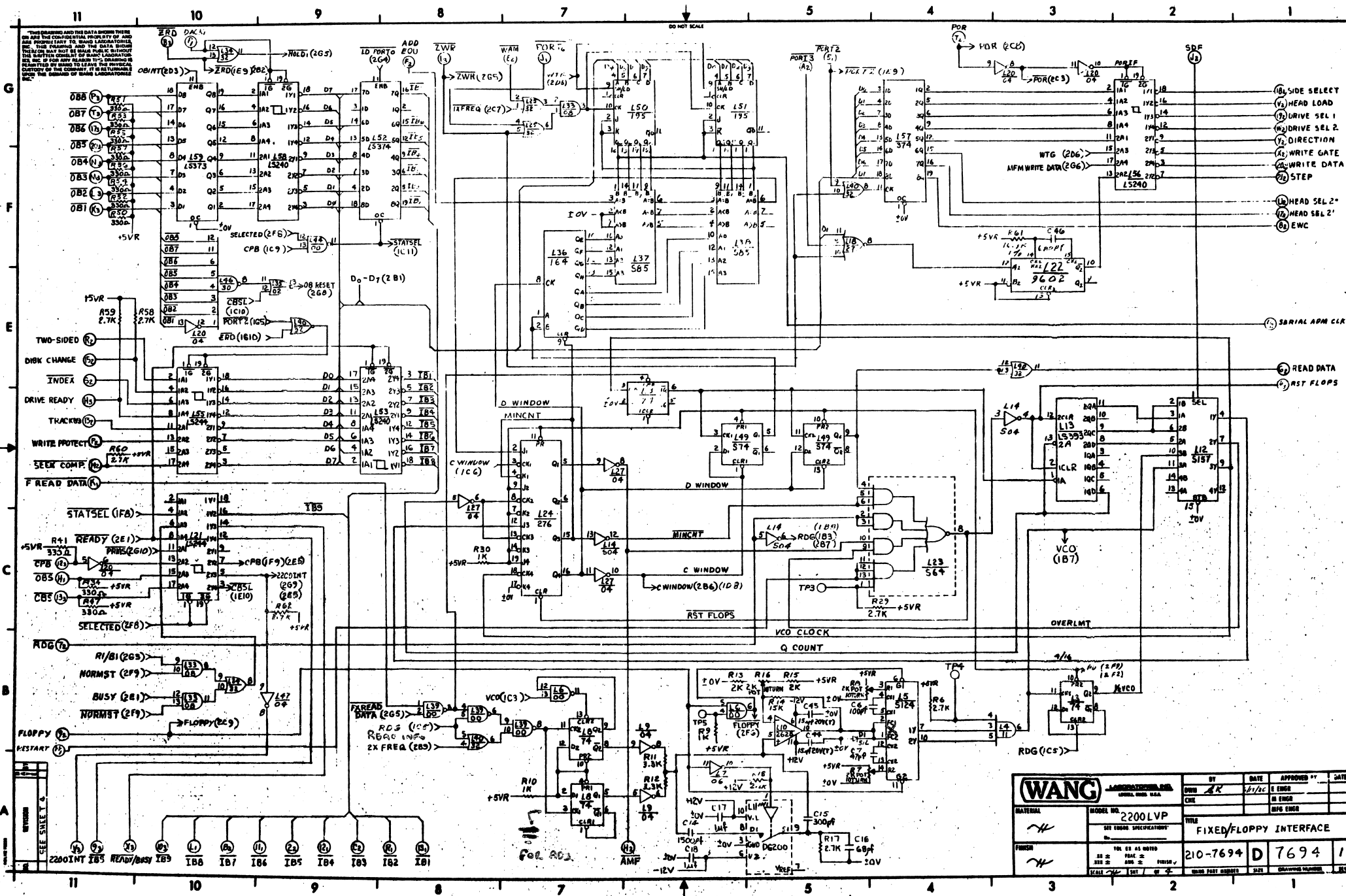
DO NOT SCALE



COMPONENT LAYOUT

SEE SHEET 4

WANG LABORATORIES, INC. 2200 LVP		BY CWC	DATE 1/17/80	APPROVED BY E ENGR	DATE
MODEL NO. 2200 LVP		TITLE FIXED/FLOPPY INTERFACE			
SHEET NO. 1		PART NO. 210-7694			
SCALE 1:1		DRAWN BY D			
		CHECKED BY 1			



(WANG) LABORATORIES, INC. MODEL NO. 2200LVP		BY	DATE	APPROVED BY	DATE
		CHK	2/1/74		
MATERIAL		TITLE			
		FIXED/FLOPPY INTERFACE			
SERIAL NO.		PART NO.		REV.	
		210-7694 D		7694 1	
DRAWN		CHECKED		DATE	
DESIGNED		APPROVED		DATE	

X 2.5-3.0V - LOOKING FOR AS LITTLE NOISE AS POSSIBLE