

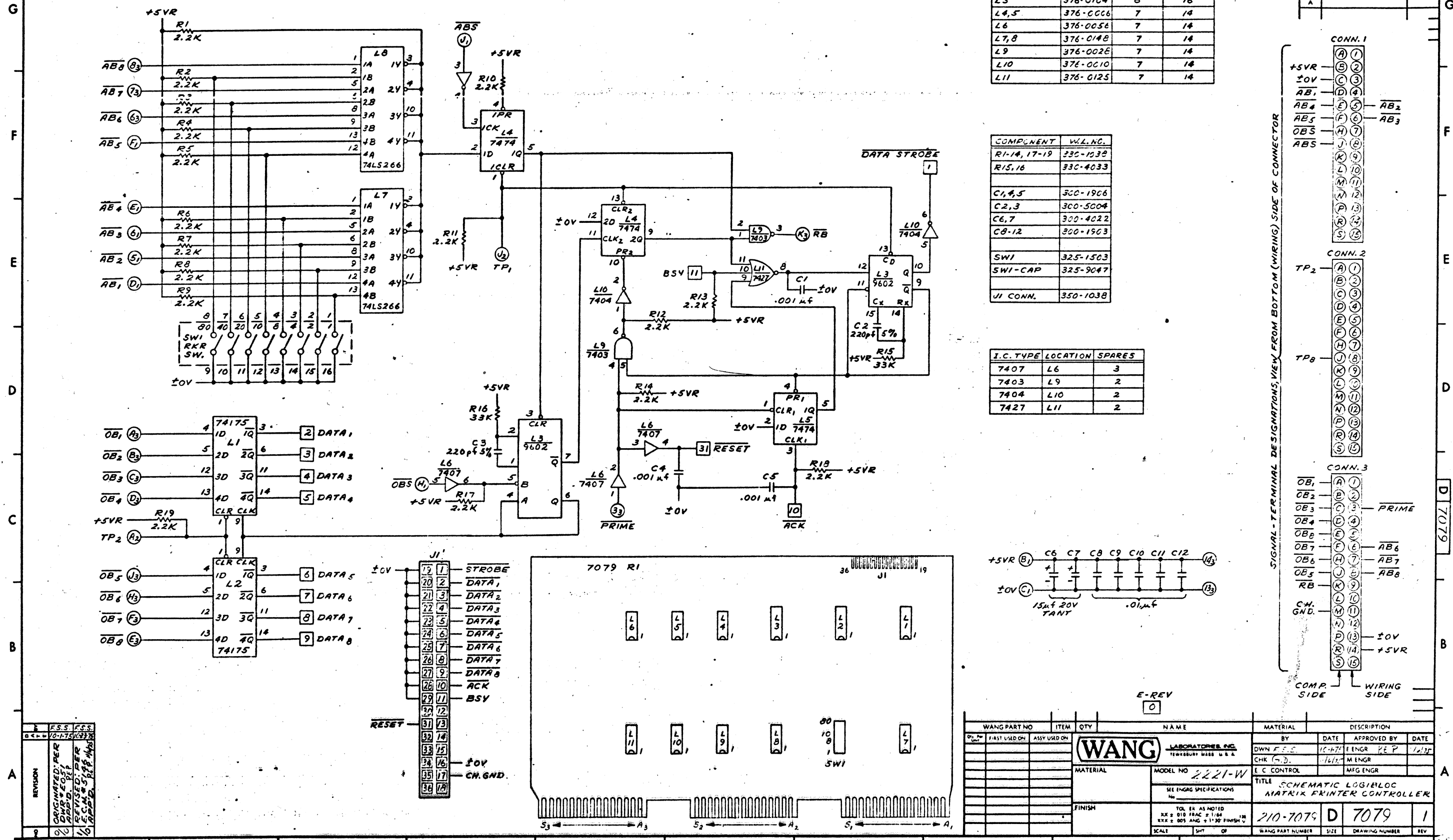
THIS DOCUMENT IS THE PROPERTY OF WANG LABORATORIES, INC. AND SHALL NOT BE REPRODUCED OR COPIED OR USED AS A BASIS FOR THE MANUFACTURE OR SALE OF APPARATUS OR DEVICES WITHOUT PERMISSION.

I.C. LOCATION	W.L. NO.	TERM. FOR ±0V	TERM. FOR VCC +5V
L1,2	376-0119	8	16
L3	376-0104	8	16
L4,5	376-0066	7	14
L6	376-0056	7	14
L7,8	376-0148	7	14
L9	376-0026	7	14
L10	376-0010	7	14
L11	376-0125	7	14

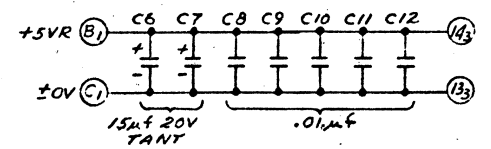
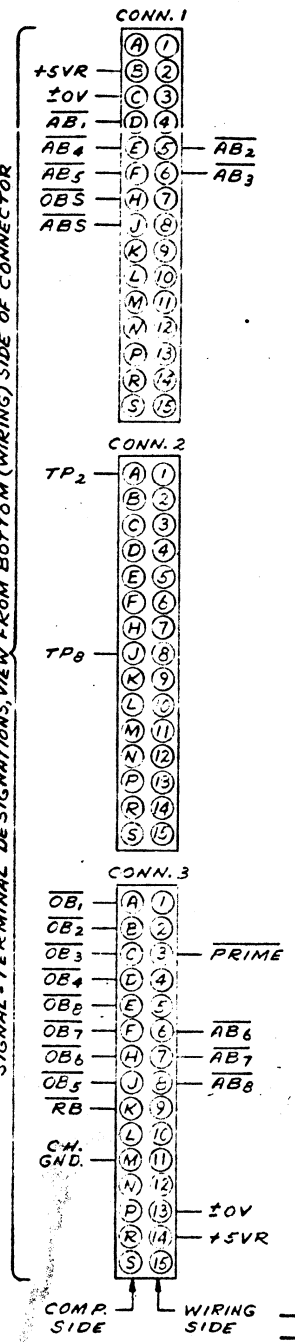
HOLE LEGEND		
DRILLED OR PUNCHED HOLE	HOLE DIA.	TOL.
DRILLED HOLE	0.125 ± 0.001	± 0.001
PUNCHED HOLE	1.25 ± 0.005	± 0.005
TOLERANCES	251 ± 0.005	± 0.005

COMPONENT	W.L. NO.
R1-14, 17-19	230-1039
R15,16	330-4033
C1,4,5	300-1906
C2,3	300-5004
C6,7	300-4022
C8-12	300-1903
SW1	325-1503
SW1-CAP	325-9047
J1 CONN.	350-1038

I.C. TYPE	LOCATION	SPARES
7407	L6	3
7403	L9	2
7404	L10	2
7427	L11	2



SIGNAL - TERMINAL DESIGNATIONS, VIEW FROM BOTTOM (WIRING SIDE OF CONNECTOR)



E-REV
0

WANG PART NO.	ITEM	QTY	NAME	MATERIAL	DESCRIPTION
210-7079	1	1	SCHEMATIC LOGIBLOC MATRIX PRINTER CONTROLLER		

REVISION	DATE	BY	DESCRIPTION
1	10-17-75	WJS	ORIGINAL PER REV. 0
2	11-17-75	WJS	REVISED PER REV. 1
3	11-17-75	WJS	REVISED PER REV. 2
4	11-17-75	WJS	REVISED PER REV. 3
5	11-17-75	WJS	REVISED PER REV. 4
6	11-17-75	WJS	REVISED PER REV. 5
7	11-17-75	WJS	REVISED PER REV. 6
8	11-17-75	WJS	REVISED PER REV. 7
9	11-17-75	WJS	REVISED PER REV. 8
10	11-17-75	WJS	REVISED PER REV. 9
11	11-17-75	WJS	REVISED PER REV. 10