

PRODUCT SERVICE SCHEMATIC MANUAL

© Wang Laboratories, Inc., 1974

This manual contains company proprietary information.
Reproduction of this document in whole or in part
without the authorized consent of Wang Laboratories,
Inc. is prohibited.

INTRODUCTION

This manual contains schematic drawings and cable diagrams of the following products:

Model 100 System
Model 400 System
Model 500/520/600 Calculators
Model 700/720 Calculators
Model 1200 System
Model 2200 System
Peripherals of 500/520/600/700/720/2200
DIABLO Series 40 Disk Drive

The schematics are arranged in sections in the order listed above. A colored title and table of contents sheet begins each section. The schematics in each section are arranged in ascending numerical order by printed circuit board number disregarding F and L prefixes. Pertinent power supply schematics and cable diagrams are placed at the end of each section. Due to the unavailability at time of publication, some schematics and cable diagrams are missing, especially on newer products. Rough engineering drawings and preliminary drawings are not usually incorporated in this manual.

This manual will periodically be updated to include drawings and schematics of newly manufactured products, and drawings that are now sketches or not finalized.

The Model 300 series drawings are not included in this manual because of a prior publication *Series 300 Drawings* (03-0007-0) which incorporated all 300 schematic diagrams. All copies of this manual are exhausted and there are currently no plans to reprint due to expense and low priority.

Publication of this new schematic manual eliminates schematic diagrams from future Service Bulletins; bulletins will have assembly drawings only if available at time of publication.

In order to improve this publication, use the business reply form on the next page to send suggestions or requests for drawings which may have been omitted; these will be incorporated in the next update.

MODEL 2200 SYSTEM

The following schematics are contained in this section in the sequence listed:

PCB	TITLE	DWG#	# PAGES	E REV	PCB	TITLE	DWG#	# PAGES	E REV
L558	TD MOTOR CONTROL	6429-1	2	3	6527	A1/A1E SUPER PATCH	D6527-10	1	0
L559	TD AC CONTROL	C6430-1	1	0	6527	B1 SUPER PATCH	D6527-11	1	0
L567	REGULATOR	D6439	1	5	6527	B2/B2E SUPER PATCH	D6527-12	1	0
6222	2219 MOTHERBOARD	E6222	1	1	6527	B3K SUPER PATCH	D6527-13	1	0
6225	2234A/44A CONTROLLER	E6225	1	2	6528	KEYBOARD ENCODER	E6528-1	1	3
6303	2215 KBD (MICRO SW.)	C6303-1	1	0	6529/	DUAL LANG. CRT. CONTR.	E6529-1	1	1
6307	RAM NOW 6707-1	E6307-1	1	1	6529-1/	ENG U/L CASE DB 6312A/50A	Same page		1
6308	MEMORY CONTROL (PROM)	E6308-1	1	2	6529-2	ENG UPPER CASE DB WAS 6313	Same page		1
6308-1	MEMORY CONTROL	E6308-2	1	2	6533	2252 CONTROLLER	E6533-1	1	2
6309	IC & PC REGISTERS	E6309-1	1	0	6534	2234/44 CONTROLLER	E6534-1	1	0
6310	ALU	E6310-1	1	0	6541	DISK CONTROLLER ECN 8051 PENDING	D6541-1	1	1
6311	I/O CONTROL	E6311-1	1	6	6541-1	ALL DISK CONTROLLER	D6541-1	1	2
6312	60 Hz CRT CONTROL	E6312-1	1	1	6543	2224 CONTROLLER	D6543-1	1	6
6312A	60 Hz CRT CONTROL	E6312A-1	1	0	6547	C1E SUPER PATCH DISK 32 ROM	E6547-14	1	0
6313	CRT CONTROL	E6313-1	1	1	6547	A1/A1E SUPER PATCH DISK 32 ROM	E6547-10	1	0
6316	2217 CONTROLLER	C6316-1	1	1	6547	B4/B4E SUPER PATCH DISK 32 ROM	E6547-11	1	0
6317	2215/22 CONTROLLER (PROM) NOW 6367	E6317-1	1		6547	B5K SUPER PATCH DISK 32 ROM	E6547-12	1	0
6318	WP PROM TYPE NOW 6368 2201/1/02/12/32	E6318-1	1	3	6548	NULL MODEM	B6548-1	1	
6322	MOTHERBOARD	E6322-1	1	0	6560	2200S MOTHERBOARD	E6560	1	1
6324	2217/18 MOTHERBOARD	D6324-1	1	0	6561	2201/02/12/32 CONTROLLER	D6561	1	1
6325	20-BIT ROM	6325-1	2	1	6561-1	2201/02/12/32 CONTROLLER	D6561-1	1	1
6330	2222 KBD. (OAK)	C6330-1	1	1	6562	CASSETTE & KBD CONTROLLER	E6562	1	2
6348	2215 KBD. (OAK)	C6348-1	1	0	6592	2252A CONTROLLER WAS 6533	E6592	1	3
6350	50 Hz CRT CONTROL	E6350	1	0	6707	2200S RAM	E6707	1	1
6350A	50 Hz CRT CONTROL	E6350A-1	1	0	6708	2200S MEMORY CONTROL	E6708	1	1
6361	8-BIT ROM	D6361-1	1	0	6709	IC & PC REGISTERS	E6709	1	0
6361-1	8-BIT ROM WITH PATCH	E6361-1	1	2	6710	ALU	E6710	1	0
6362	2207 TELECOM CONTROLLER	E6362-14	1	0	6713	PROG. CRT CONTROLLER	E6713	1	0
6362	2227 CONTROLLER	E6362-10,12	1	3	6717/	2200 RAM	E6717	1	1
6362-1	2227 CONTROLLER NOW 6362-A	E6362-11,13	1	0	6717-1	16K RAM (4K CHIPS) 2200S/T	Same page		1
6367	2215/22 CONTROLLER	E6367	1	7	6723	BI SYNC CONTROLLER 2228	E6723	1	2
6368	2201/02/12/32 CONTR. (ROM)	D6368	1	4	6724	BI SYNC XMIT/REC	E6724	1	4
6368-1	2212/1232A OUTPUT WRITER	D6368-1	1	1	6725	20-BIT ROM 2200S	E6725	1	0
6374	2203 CONTROLLER	D6374-1	1	0	6735	20-BIT ROM NOW 7025	E6735	1	1
6375/	DISK CONTROL	D6375-1	1	0	6741/	KBD/PRINT/TAPE CONTR.	E6741	1	3
6375-14	2214/30/40/42 CONTROLLER NOW 6541-14	Same page		0	6741-1	TRIPLE (PROM TYPE) K/P/C FOR SPECIALS	Same page		3
6379	WANG MATRIX PRINTER NOW 7079 2221W	D6379	1	5	6742/	KBD/PRINT/DISK CONTR. NOW 7042	E6742	1	4
6383	MINI ROM TESTER	C6383-1	1	0	6742-1	TRIPLE KBD/PTR/DISK (SP) NOW 7042-1			
6388	2218 CONTROLLER	D6388-1	1	0	6768	2200S 9 I/O MB	E6768	1	0
6394	2250 CONTROLLER NOW 7094	D6394-1	1	6	6771	KEYBOARD CLICKER	C6771	1	0
6443	2220/2223 KEYBOARD	D6443	1	2	6785	2230 MXA CONTROLLER NOW 7287	E6785	1	10
6449	2234A/44A MEMORY BOARD	D6449	1	0	6785-C	CONTINUATION OF 210-6785	E6785-1	1	1
6522	MOTHERBOARD	E6522-1	1	1					

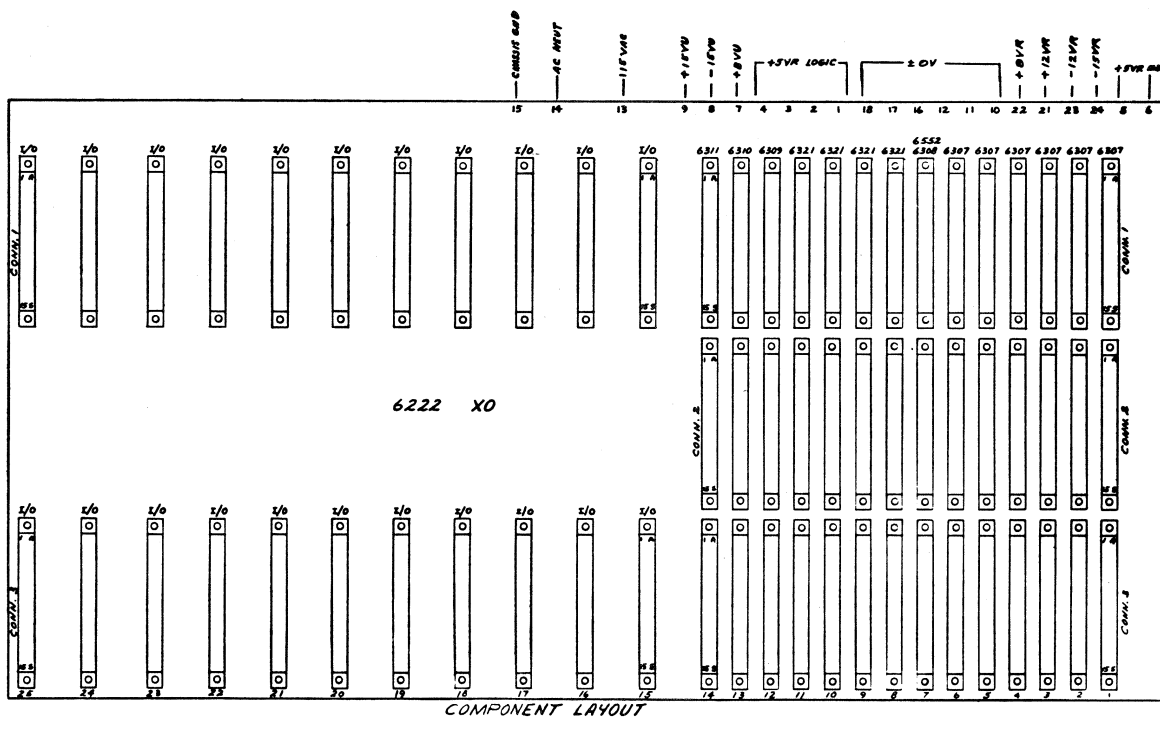
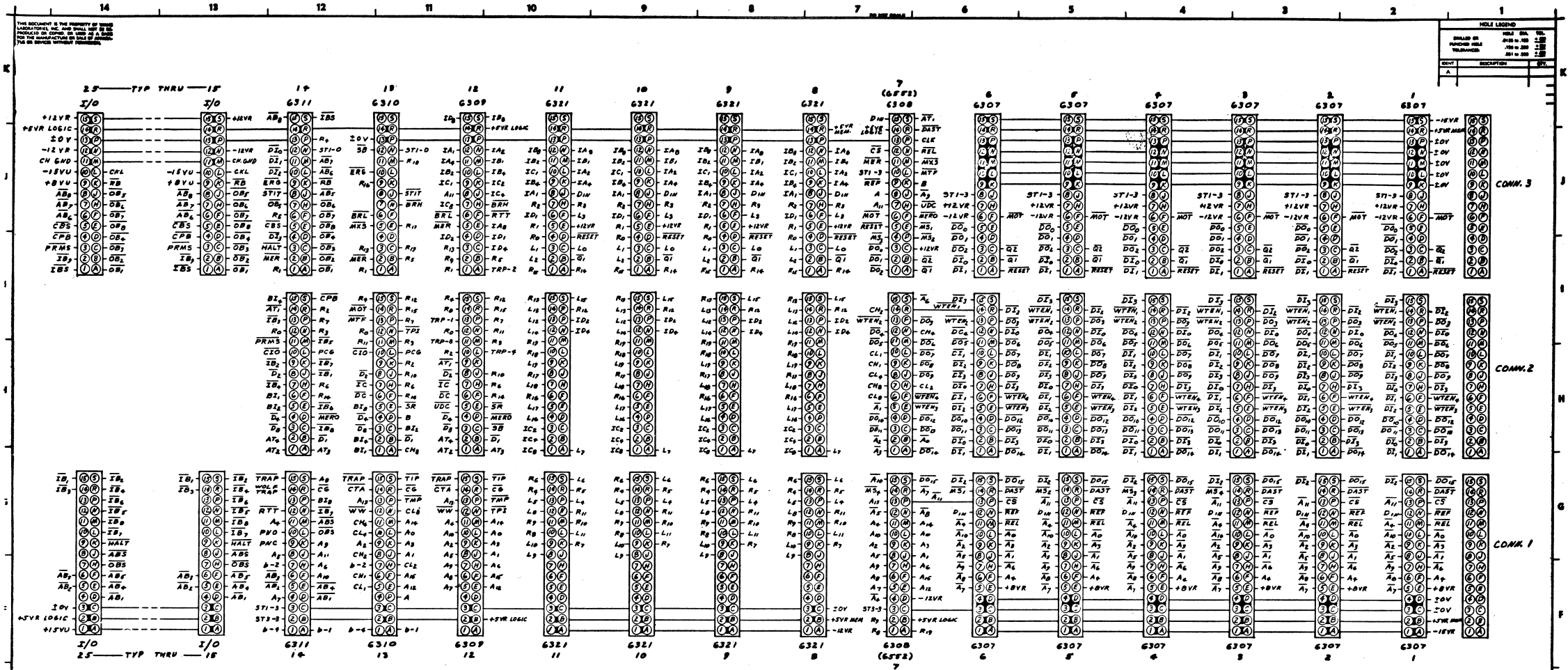
PCB	TITLE	DWG#	# PAGES	E REV	PCB	TITLE	DWG#	# PAGES	E REV
6786	2230 MXB CONTROLLER	E6786	1	2	7125	24K EA 20 BIT ROM WAS 7025 2200S/T	E7125	1	0
6787	16K X 9 BIT DATA MEMORY 2200VP	E6787	2	1	7141	1600 BPI TAPE DRIVE BOARD 2209A	E7141	1	3
6788	8K X 24 BIT CNTL MEMORY 2200VP	E6788	1	2	7142	1600 BPI TAPE MEM DAUGHTER BOARD 2209A	E7142	1	0
6789	MEMORY INTERFACE BOARD 2200VP	E6789	1	0	7153/	4K RAM A-SYNC TC OPT 62/PCS	E7153	2	2
6790	INSTRUCTION COUNTER BOARD 2200VP	E6790	1	3	7153-1	4K RAM BI-SYNC TC OPT 62B/PCS	Same page		2
6791	STACK BOARD 2200 VP	E6791	1	1	7154	IEEE INTERFACE OPT 65/PCS	E7154	2	0
6792	ALU 2200VP	E6792	1	3	7155	INPUT/OUTPUT/INTERFACE OPT 67	E7155	1	1
6793/	REGISTER BOARD 2200VP	E6793	1	2	7156	PS REG/CUR FLD BK 928/2200F/2210/36	E7156	1	2
6793-1	REGISTER BOARD 2200VP	Same page		0	7158/	80 X 24 (60HZ) CRT/PTR 2236	E7158	2	5
6797	PS REGULATOR CARD 2200VP	D6797	1	2	7158-1	80 X 24 (50HZ) CRT & PTR 2236	Same page		5
6798	MOTHERBOARD 2200VP	E6798	1	1	7159/	80 X 24 PTR/PLTR I/O BOARD PCS II	E7159	2	2
7006	IEEE INTERFACE MOTHERBOARD 2254	E7006	1	2	7159-1	80 X 24 (50HZ) PCS II	Same page		2
7007	IEEE INTERFACE DAUGHTERBOARD 2254	D7007	1	1	7173	2201 OUTPUT WRITER CNTL INTERFACE PCS	E7173	1	2
7010	SP CRT MEM (80 X 24) EA TYPE 60 HZ	E7010	1	1	7180	MINI DISK CONTROL PCS II	E7180	3	4
7011/	SP 80 X 24 (60 HZ) CRT CNTL	E7011	1	3	7223	BI-SYNC B-VERSION MB 2228B	E7223	1	2
7011-1	SP 80 X 24 (50 HZ) CRT CNTL	Same page		3	7224	TRANSMITTER/RECEIVER & MEM 2228B	E7224	1	1
7024	BI SYNC XMIT/REC	E7024	1	0	7256/	12" MONITOR ELECTRONICS NOW 7456	D7256	1	1
7025	24K EA 20 BIT ROM WAS 6735 2200S/T	E7025	1	0	7256-1	9" MONITOR ELECTRONICS NOW 7456-1	same page		2
7042/	KBD/PRINT/DISK CONTR.	E7042	1	3	7258	BLANKING CIRCUIT WANG MONITOR	B7258	1	1
7042-1	SP TRIPLE (KDB/PTR/DISK) PROM TYPE	Same page		3	7279	MINI DISK ELECTRONICS 2210	E7279	3	3
7048/	KEYBOARD DAUGHTER 2200E/F	D7048	1	1	7285	FORMAT MICROSITCH BD 2210/PCS II	D7283	1	0
7048-1	KEYBOARD DAUGHTER BD (PROM) 2200E/F	Same page		0	7290/	8080 INTERACTIVE TERM MB 2236MXC	E7290	1	0
7049	KEYBOARD DECODER 2200E/F	D7049	1	0	7290-1	8080 INTERACTIVE TERM MB 2236MXD	same page		1
7051	CPU 2200E/F	E7051	3	4	7291/	INTERACTIVE TERM 4K MEM DGHTR BD 2236MXC	E7291	1	1
7052/	16K RAM/T-ROM 2200E/F	E7052	3	1	7291-1	INTERACTIVE TERM 8K MEM DGHTR BD 2236MXC	same page		1
7052-1	32K RAM/T-ROM MEMORY 2200E/F	Same page		1	7292/	INTERACTIVE TERM WS ELECTRONICS 2236MXC	E7292	2	4
7053	CASSETTE CNTL FOR TD 24 2200/E	E7053	1	2	7292-1	INTERACTIVE TERM WS ELECTRONICS 2236MXD	same page		4
7054/	64 X 16 (60HZ) CRT/DISK/PTR I/O 2200F	E7054	2	9	7293	INTERACTIVE TERM WS MOTHERBOARD 2236	D7293	1	0
7054-1	64 X 16 (50HZ) CRT/DISK/PTR I/O 2200F	Same page		9	4397	REG W/CURRENT FOLD BACK 2200VP	D9397	1	1
7055	MOTHERBOARD 2200F	E7055	1	1	2200	PWR SUPPLY	D6422-999	1	
7056	MOTHERBOARD 2200F	E7056	1	1	2200S	3 or 6 I/O PWR SUPPLY	D6627-999	1	
7057	P.S. REGULATOR 2200E	D7057	1	3	2200S	9 I/O PWR SUPPLY/PS REG. L567	D6800-999	1	5
7058/	64 X 16 (60HZ) CRT/PTR/PLTR I/O 2200E	E7058	2	2	2200S	(3, 6) and 9 I/O HEAT SINKS	D6800-998	1	
7058-1	64 X 16 (50HZ) CRT/PTR/PLTR I/O 2200E	Same page		2			C6627-998		
7059/	80 X 24 (60HZ) CRT/PTR/PLTR I/O 2200F	E7059	2	7	CPU	POWER CABLE	C6422-125	1	
7059-1	80 X 24 (50HZ) CRT/PTR/PLTR I/O 2200F	Same page		7	2200	TC CABLE	C6482-5	1	
7061	DOUBLE BUFFERED TY/PLTR (EA) 2200E/F	E7061	1	1	2200	MOTOROLA P.C. (CRT)	63D65165A19		
7061-1	DOUBLE BUFFERED TY/PLTR (PROM) 2200E/F	E7061-1	1	1					
7067/	PS REG W/MOTOROLA MONITOR 2200F/928	D7067	3	6					
7067-1/	PS REG W/WANG MONITOR 2210	Same page		6					
7067-2	PS REG W/WANG MONITOR PCS II	Same page		5					
7079	WANG MATRIX PRINTER WAS 6379-1 21W	D7079	1	0					
7094	PARALLEL INTERFACE WAS 6394 2209/50	D7094	1	0					

SCHEMATIC MANUAL ADDENDUM #4

2200 SECTION

This addendum contains updated and additional schematics for the 2200 section. Follow the below instructions to incorporate these into the Schematic Manual:

<u>REMOVE DWG(s)</u>	<u>INSERT DWG(s)</u>	<u>REMOVE DWG(s)</u>	<u>INSERT DWG(s)</u>
1. MODEL 2200 Title Page Rev 3	Model 2200 Title Page Rev 4	26. E7024/E7042	E7011/E7024
2. E6222/E6225	E6222/E6225		E7025/E7042
3. E6308-1/E6308-2	E6308-1/E6308-2		D7048/D7049
4. E6309-1/E6310-1	E6309-1/E6310-1		E7051/E7051
5. E6311-1/E6312-1	E6311-1/E6312-1		E7051/E7052
6	E6318-1/Blank		E7052/E7052
7. E6361/E6361-1	E6361/E6361-1		E7053/E7054
8. E6362-10, 12/E6362-11, 13	E6362-10, 12/E6362-11, 13		E7054/E7055
9.	E6362-14/E6368		E7056/D7057
10. E6374-1/E6375-1	E6374-1/E6375-1		E7058/E7058
11. D6379-1/C6383-1	D6379/D6379-1		E7059/E7059
12.	C6383-1/Blank		E7061/E7061-1
13. D6388-1/D6394-1	D6388-1/D6394-1		D7067/D7079
14. D6443/D6449	D6443/D6449		D7094/E7125
15. C6522/D6527-10	C6522/D6527-10		E7141/E7142
16. E6529-1/E6533-1	E6529-1/E6533-1		E7153/E7153
17. D6541-1/D6543	D6541-1/D6543		E7154/E7154
18. B6548-1/E6560	B6548-1/E6560		E7155/E7156
19. D6561/D6561-1	D6561/D6561-1		E7158/E7158
20. E6707-1/E6708	E6707/E6708		E7159/E7159
21. E6713/E6717	E6713/E6717		E7173/E7180
22. E6723/E6724	E6723/E6724		E7180/E7180
23. E6725/E6735	E6725/E6735		E7223/E7224
24. E6741/E6742	E6741/E6742		E7256/D7258
25. E6785/E6786	E6785/E6785-1		B7279/E7279
	E6786/E6787		E7279/E7290
	E6787/E6788		E7291/E7292
	E6789/E6790		E7292/E7293
	E6791/E6792		D7397/Blank
	E6793/E6797	27. 6800-999/C6627-998	D6800-999//C6627-998
	E6798/E7006	28. C6422-125/C6482-5	C6422-125/C6482-5
	E7007/E7010		



PRELIMINARY

WANG

MOTHER BOARD 6222

NO.	DESCRIPTION	QTY	UNIT PRICE	TOTAL PRICE
1	GROUP BUSS 7 1/2	1		
2	CONNECTORS	1		
WANG MODEL NO 2219 TITLE MOTHER BOARD 6222 DATE 2/10/62 DRAWN BY J.S.C. CHECKED BY J.S.C. APPROVED BY J.S.C. SCALE 1:1				

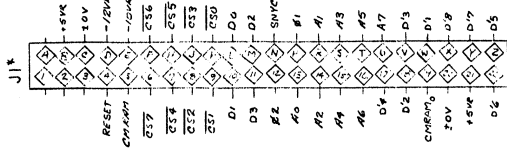
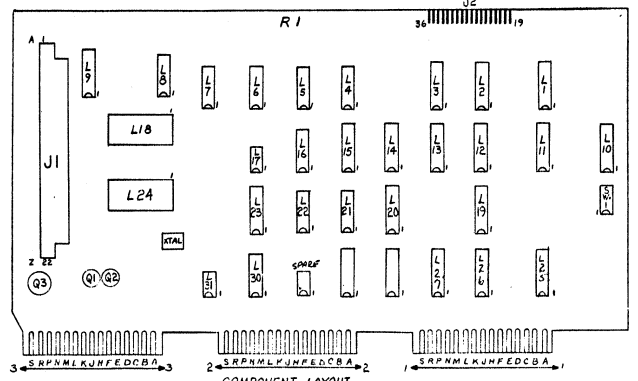
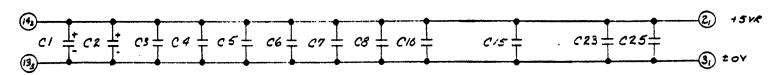
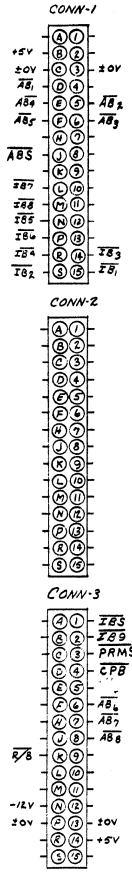
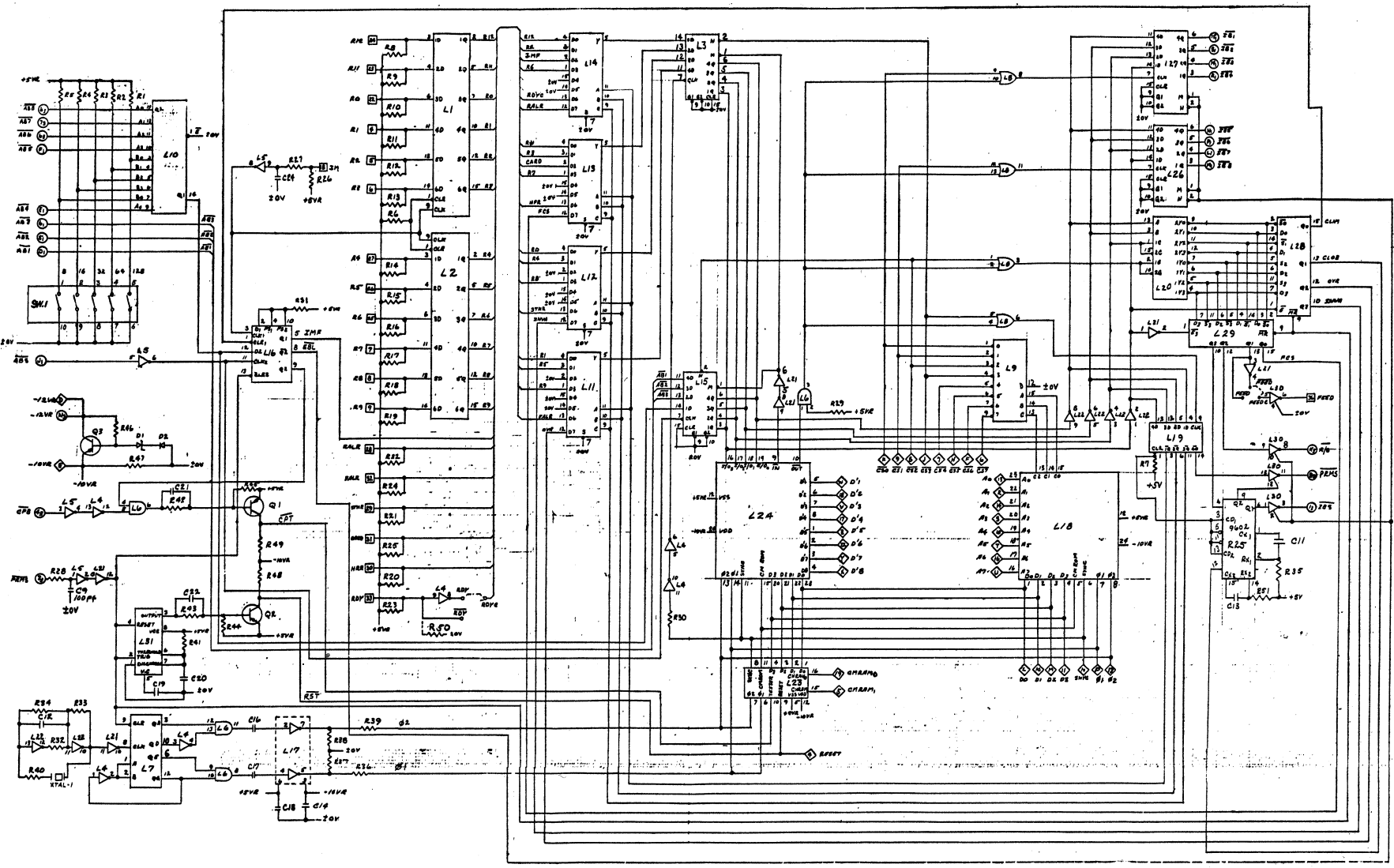
THIS DOCUMENT IS THE PROPERTY OF WANG LABORATORIES, INC. AND SHALL NOT BE LOANED, REPRODUCED, COPIED, OR IN ANY MANNER DISSEMINATED WITHOUT THE WRITTEN PERMISSION OF WANG LABORATORIES, INC.

HOLE LEGEND table with columns: HOLE DIA., TOL., DRILLED OR PUNCHED HOLE, TOLERANCE.

COMPONENT table with columns: COMPONENT, W.L. NO., TYPE. Lists various electronic components like resistors, capacitors, and transistors.

* OPTIONAL

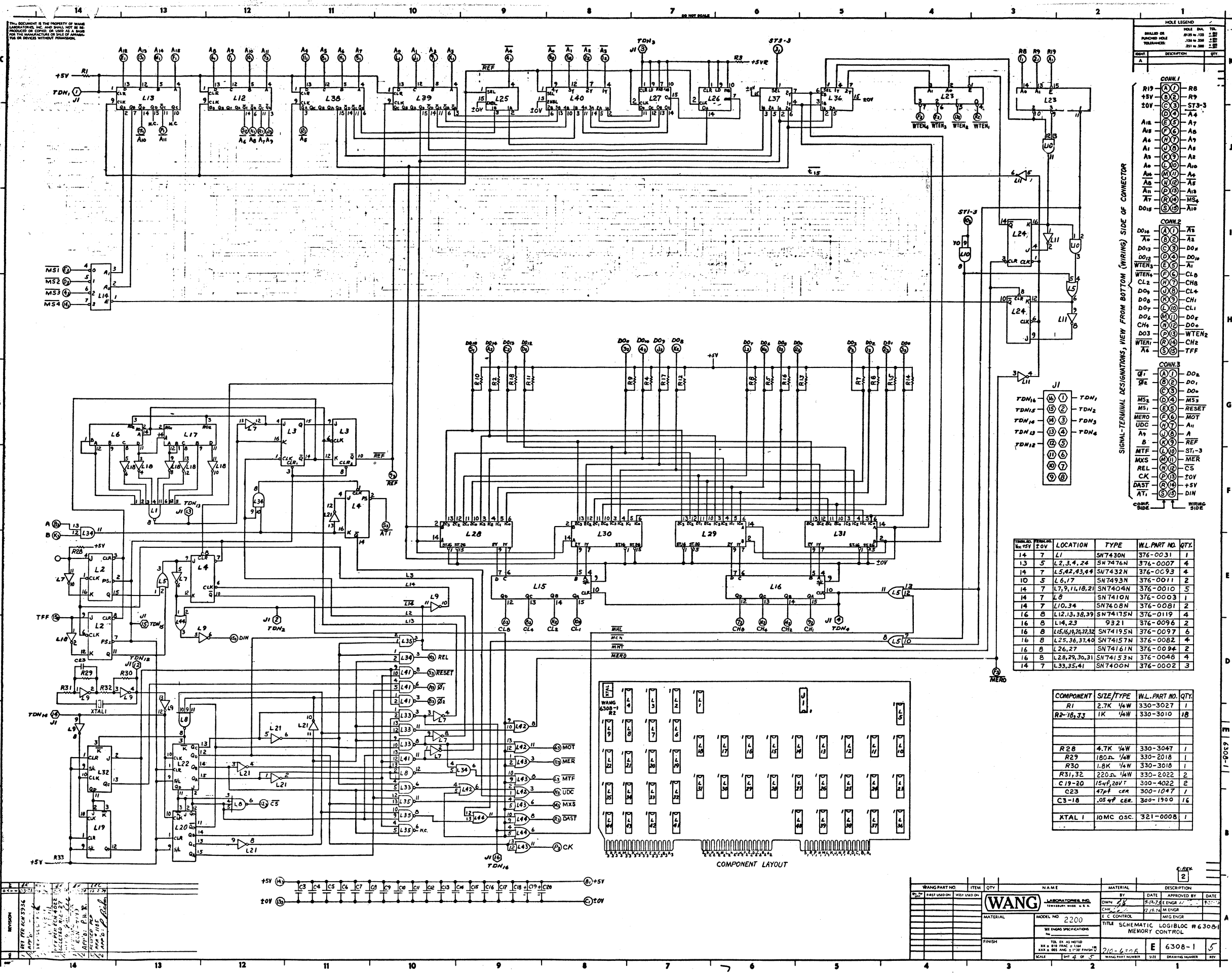
LOCATION table with columns: LOCATION, TYPE, W.L. NO., 20V, +5V. Lists component locations on the board.



* SEE DWG 649 FOR RAM, ROM MATING BOARD

WANG LABORATORIES, INC. revision table with columns: WANG PART NO., ITEM, QTY, NAME, MATERIAL, DESCRIPTION, DATE, APPROVED BY.

Handwritten notes and signatures in the bottom left corner.



HOLE LEGEND

DRILL NO.	HOLE DIA.	TOL.
1	.125	±.010
2	.1875	±.010
3	.250	±.010
4	.3125	±.010

SIGNAL TERMINAL DESIGNATIONS, VIEW FROM BOTTOM (WIRING SIDE OF CONNECTOR)

CONNECTOR	TERMINAL	DESIGNATION
CONN 1	1	R8
	2	R9
	3	ST3-3
	4	A4
	5	A7
	6	A8
	7	A9
	8	A10
	9	A11
	10	A12
CONN 2	1	A1
	2	A2
	3	DO#
	4	DO#
	5	DO#
	6	DO#
	7	DO#
	8	DO#
	9	DO#
	10	DO#
CONN 3	1	DO#
	2	DO#
	3	DO#
	4	DO#
	5	DO#
	6	DO#
	7	DO#
	8	DO#
	9	DO#
	10	DO#

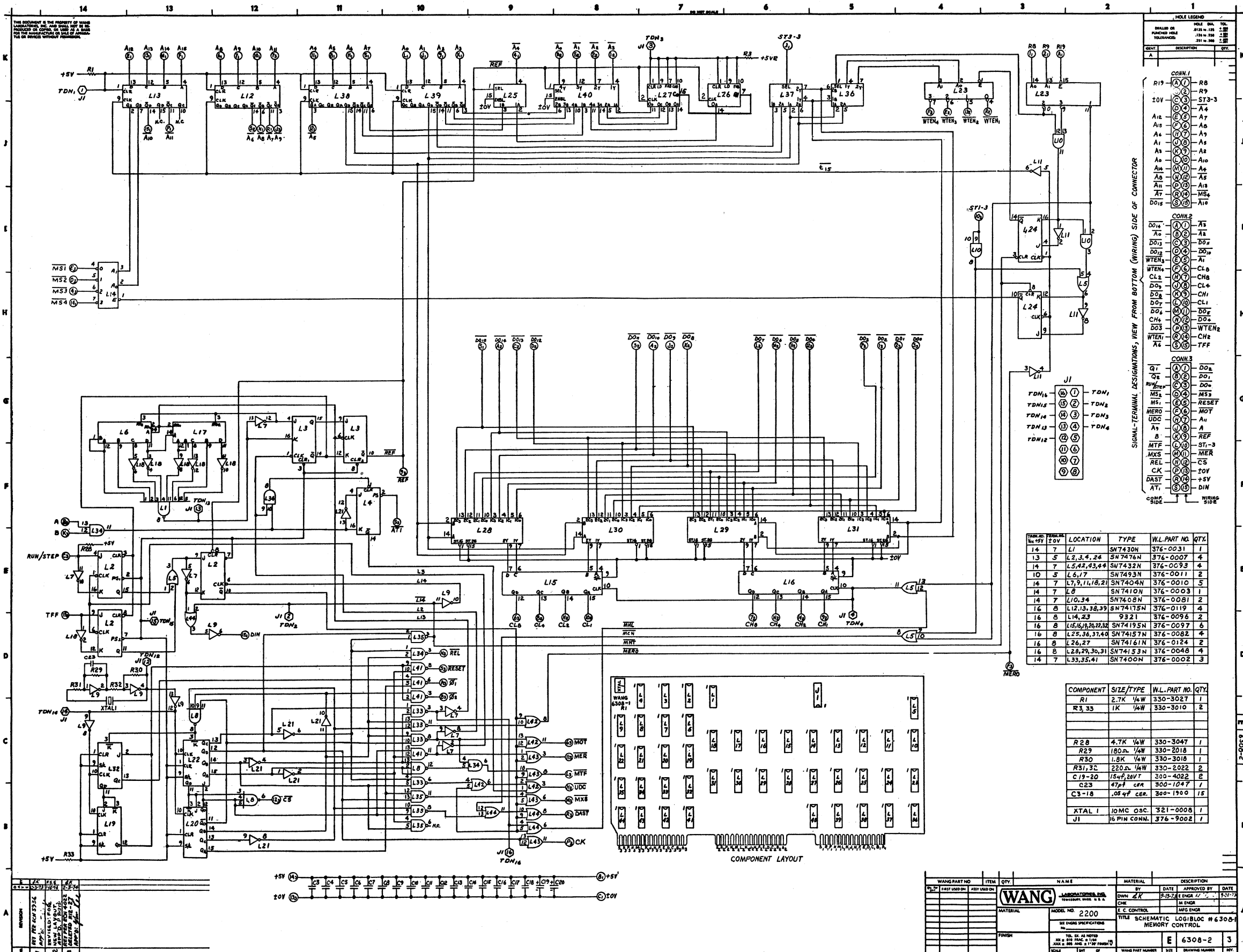
ITEM NO.	QTY	LOCATION	TYPE	W.L. PART NO.	QTY
14	7	L1	SN7430N	376-0031	1
13	5	L2, 3, 4, 24	SN7476N	376-0007	4
14	7	L5, 42, 43, 44	SN7432N	376-0093	4
10	5	L6, 17	SN7493N	376-0011	2
14	7	L7, 9, 11, 10, 21	SN7404N	376-0010	5
14	7	L8	SN7410N	376-0003	1
14	7	L10, 34	SN7408N	376-0081	2
16	8	L12, 13, 30, 39	SN7415N	376-0119	4
16	8	L14, 23	9321	376-0096	2
16	8	L15, 16, 20, 22, 32	SN74195N	376-0097	6
16	8	L25, 36, 37, 40	SN74157N	376-0082	4
16	8	L26, 27	SN74161N	376-0094	2
16	8	L28, 29, 30, 31	SN74153N	376-0048	4
14	7	L33, 35, 41	SN7400N	376-0002	3

COMPONENT	SIZE/TYPE	W.L. PART NO.	QTY
R1	2.7K 1/4W	330-3027	1
R2-18, 33	1K 1/4W	330-3010	18
R28	4.7K 1/4W	330-3047	1
R29	180Ω 1/4W	330-2018	1
R30	1.8K 1/4W	330-3018	1
R31, 32	220Ω 1/4W	330-2022	2
C19-20	154P 20V T	300-4022	2
C23	47P CER	300-1047	1
C3-18	.054P CER	300-1900	16
XTAL 1	10MC OSC.	321-0008	1

WANG PART NO.	ITEM	QTY	NAME	MATERIAL	DESCRIPTION
6308-1	1	1	WANG	LABORATORIES, INC.	SCHEMATIC LOG/BLOC # 6308-1
6308-1	2	1	WANG	LABORATORIES, INC.	MEMORY CONTROL

REVISION

NO.	DATE	DESCRIPTION
1	11/12/66	INITIAL DESIGN
2	11/15/66	REVISED FOR MANUFACTURE
3	11/15/66	REVISED FOR MANUFACTURE
4	11/15/66	REVISED FOR MANUFACTURE
5	11/15/66	REVISED FOR MANUFACTURE



HOLE LEGEND		
DRILL DIA.	TOL.	
0.110	±0.002	
0.125	±0.002	
0.1875	±0.002	
0.250	±0.002	

CONN. 1	
R19	A1
20V	R9
	ST3-3
A12	A4
A15	A7
A4	A5
A1	A8
A3	A2
A0	A10
A6	A6
A8	A5
A11	A13
A7	MS4
DO18	A18

CONN. 2	
DO14	A5
75	A1
DO13	DO7
DO12	DO1
WTEN	A1
WTEN	CL2
CL2	CH4
DO1	CH4
DO7	CH1
DO3	CL1
CH4	DO2
DO3	DO2
WTEN	CH2
A6	TFF

CONN. 3	
Q1	DO4
Q2	DO1
RUN/STEP	DO5
MS1	MS3
MS2	RESET
MERO	MOT
UDC	A11
A1	A
B	REF
MTF	ST-3
MXS	MER
REL	CS
CK	20V
DAST	+5V
AT1	DIN

TAB. NO.	TERMINAL NO.	LOCATION	TYPE	W.L. PART NO.	QTY.
14	7	L1	SN7430N	376-0031	1
13	5	L2,3,4,24	SN7476N	376-0007	4
14	7	L5,42,43,44	SN7432N	376-0093	4
10	5	L6,17	SN7493N	376-0011	2
14	7	L7,9,11,18,21	SN7404N	376-0010	5
14	7	L8	SN7410N	376-0003	1
14	7	L10,34	SN7408N	376-0081	2
16	8	L12,13,38,39	SN7415N	376-0119	4
16	8	L14,23	9321	376-0096	2
16	8	L15,16,24,25,32	SN74195N	376-0097	6
16	8	L25,36,37,40	SN74157N	376-0082	4
16	8	L26,27	SN74161N	376-0124	2
16	8	L28,29,30,31	SN74153N	376-0048	4
14	7	L33,35,41	SN7400N	376-0002	3

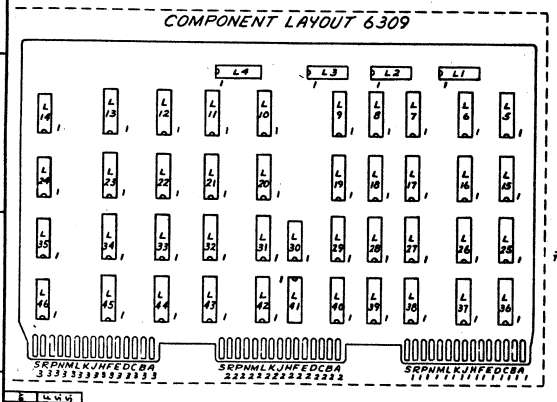
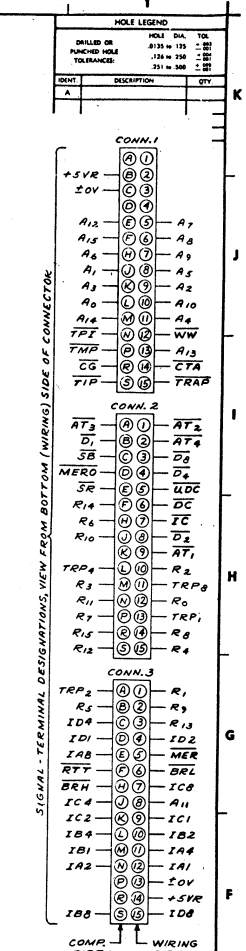
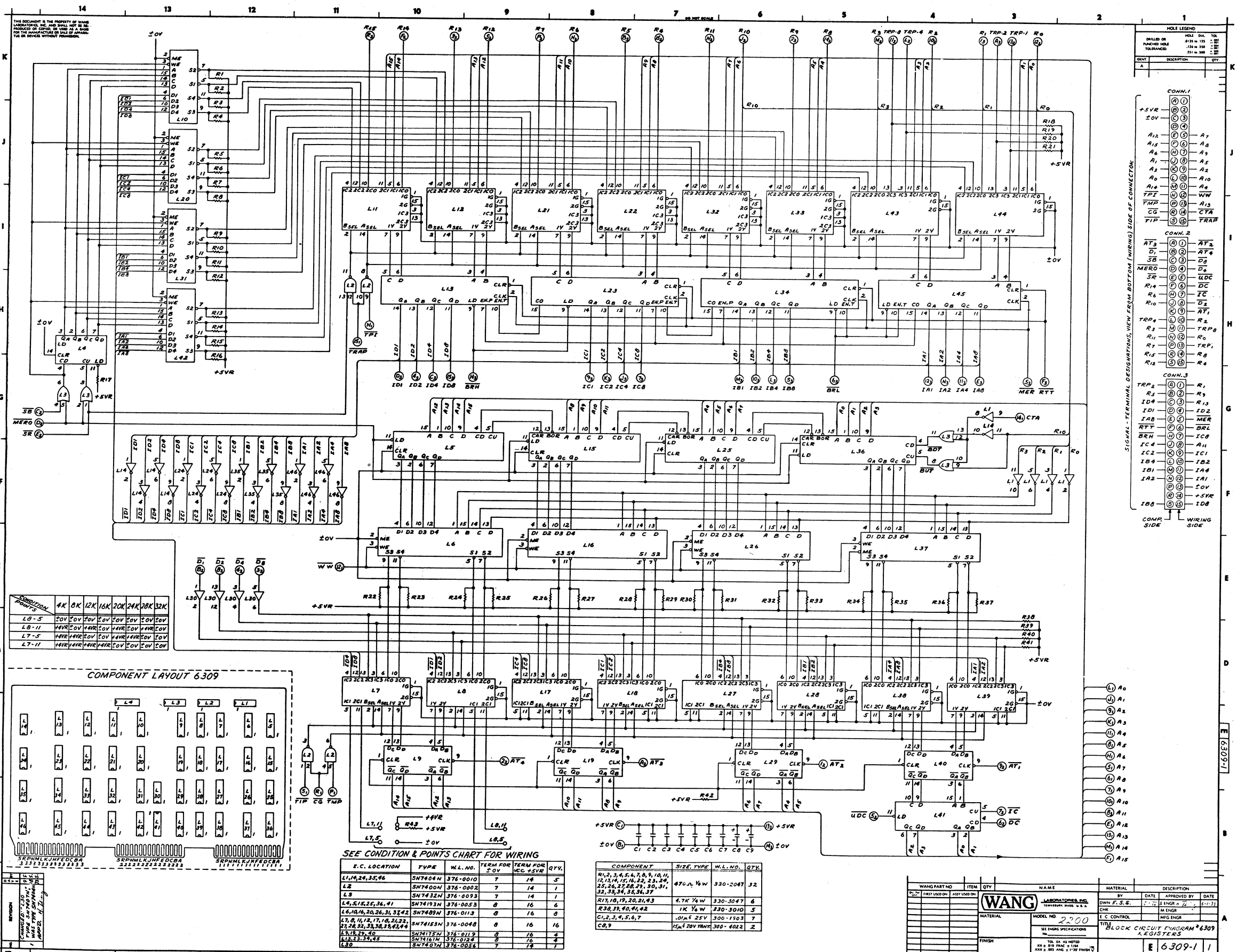
COMPONENT	SIZE/TYPE	W.L. PART NO.	QTY.
R1	2.7K 1/4W	330-3027	1
R3,33	1K 1/4W	330-3010	2
R28	4.7K 1/4W	330-3047	1
R29	180Ω 1/4W	330-2018	1
R30	1.8K 1/4W	330-3018	1
R31,32	220Ω 1/4W	330-2022	2
C19-20	154pF 20V	300-4022	2
C23	47pF CER	300-1047	1
C3-18	.0547 CER.	300-1900	15
XTAL 1	10MC OSC.	321-0008	1
J1	16 PIN CONN.	376-9002	1

WANG PART NO.	ITEM	QTY.	NAME	MATERIAL	DATE	DESCRIPTION

REVISION	DATE	BY	DESCRIPTION
1	10-1-68	JFK	REVISED TO...
2	10-1-68	JFK	REVISED TO...
3	10-1-68	JFK	REVISED TO...
4	10-1-68	JFK	REVISED TO...
5	10-1-68	JFK	REVISED TO...

WANG LABORATORIES, INC.

MODEL NO. 2200
 TITLE SCHEMATIC LOGIC BLOC # 6308-1
 MEMORY CONTROL
 DATE 9-15-72
 DRAWING NUMBER E 6308-2
 SHEET 3



SEE CONDITION & POINTS CHART FOR WIRING

I.C. LOCATION	TYPE	W.L. NO.	TERM FOR	TERM FOR	QTY.
			0V	+5V	
L1, 19, 24, 35, 46	SN7400H	374-0010	7	19	5
L2	SN7400N	374-0020	7	14	1
L3	SN7432N	374-0093	7	14	1
L4, 5, 16, 25, 36, 47	SN74193N	374-0053	8	16	6
L6, 10, 12, 20, 26, 31, 37, 42	SN7489N	374-0113	8	16	8
L7, 8, 11, 13, 17, 18, 21, 22, 27, 28, 29, 32, 38, 43, 48	SN74153N	374-0048	8	16	16
L11, 13, 20	SN74175N	374-0119	8	16	4
L12, 14, 21, 28	SN74174N	374-0128	8	16	4
L30	SN7407N	374-0058	7	12	1

COMPONENT	SIZE	TYPE	W.L. NO.	QTY.
R1, 2, 3, 4, 5, 6, 7, 8, 9, 10, 11, 12, 13, 14, 15, 16, 17, 18, 19, 20, 21, 22, 23, 24, 25, 26, 27, 28, 29, 30, 31, 32, 33, 34, 35, 36, 37		#70-A, 1/2 W	330-2087	32
R17, 18, 19, 20, 21, 43		4.7K 1/4 W	330-3047	6
R28, 29, 30, 41, 42		1K 1/4 W	330-3010	5
C1, 2, 3, 4, 5, 6, 7		.01uF 25V	300-1503	7
C8, 9		15uF 20V TANK	300-4022	2

WANG PART NO.	ITEM	QTY.	NAME	MATERIAL	DATE	DESCRIPTION

WANG LABORATORIES, INC. MODEL NO. 2200

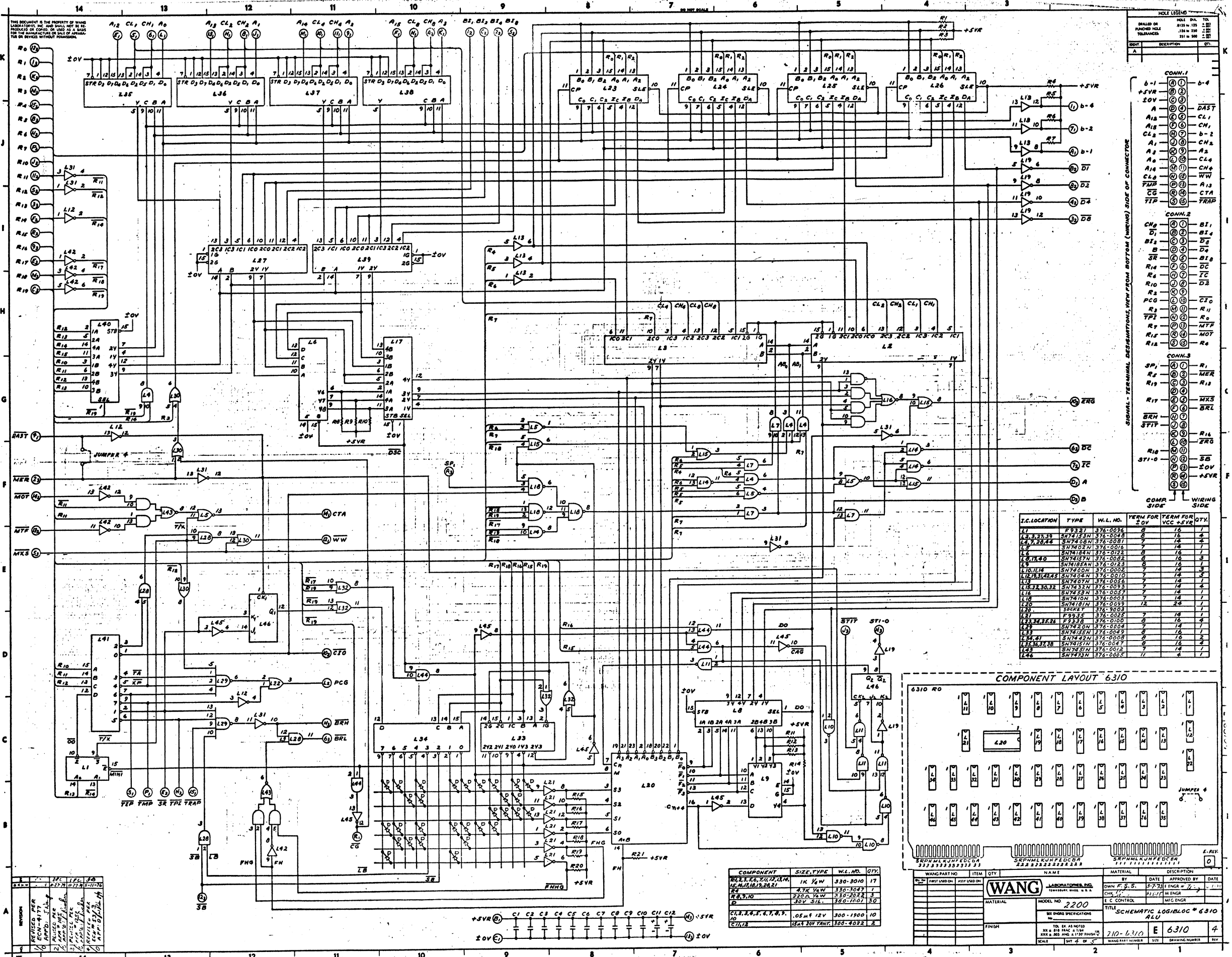
BY	DATE	APPROVED BY	DATE
OWN F. S. S.		ENGR - J. H. L.	4-7-71
CHK		M ENGR	
E. C. CONTROL		MFG ENGR	

TITLE: BLOCK CIRCUIT DIAGRAM #6309 REGISTERS

SCALE: 1/16" = 1"

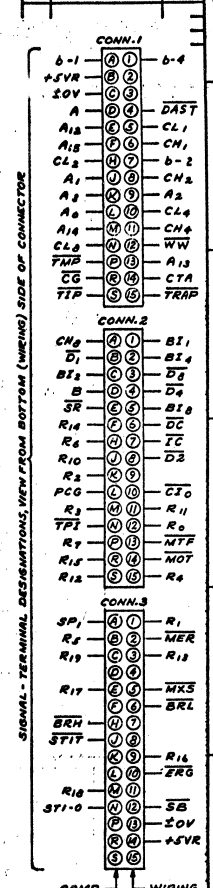
DWG. NO. 6309-1/1

THIS DOCUMENT IS THE PROPERTY OF WANG LABORATORIES, INC. AND SHALL NOT BE REPRODUCED OR COPIED IN WHOLE OR IN PART FOR THE MANUFACTURE OR SALE OF ANYTHING OR IN ANY MANNER WITHOUT PERMISSION.

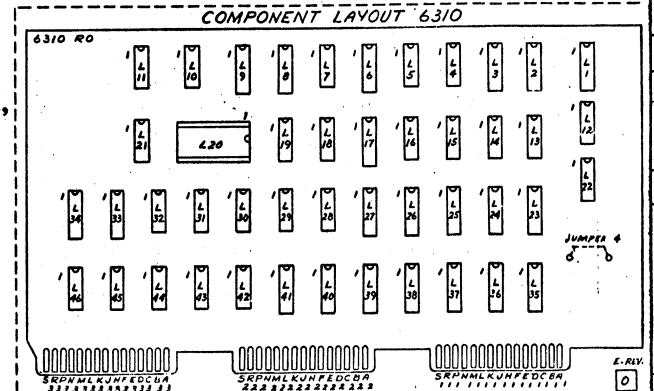


HOLE LISTING

DRILLED OR PUNCHED HOLE NUMBER	SIZE	DEPTH
1	.125	.100
2	.125	.100
3	.125	.100



J.C. LOCATION	TYPE	W.L. NO.	TERM FOR 20V	TERM FOR VCC +5V	QTY.
L1	F9321	376-0094	B	16	1
L2, 3, 23, 39	SN74123N	376-0040	B	16	4
L4, 7, 20, 24	SN7408N	376-0081	7	14	4
L5	SN7402N	376-0015	7	14	1
L6	SN74184N	376-0222	B	16	1
L8	SN74187N	376-0082	B	16	1
L9, 15, 22	SN74184N	376-0223	B	16	3
L10, 11, 14	SN7400N	376-0002	7	14	3
L11, 13, 14, 21, 25	SN7400N	376-0010	7	14	4
L12	SN7407N	376-0055	7	14	1
L13, 22, 30, 32	SN7432N	376-0093	7	14	4
L14	SN7400N	376-0057	7	14	1
L16	SN7410N	376-0001	7	14	1
L17	SN7410N	376-0059	7	14	1
L18	SN7410N	376-0059	7	14	1
L19	F9325	376-0025	7	14	1
L20	F9325	376-0025	7	14	1
L21, 24, 27, 28	F9325	376-0100	B	16	4
L22	SN7400N	376-0054	7	14	1
L23	SN7405N	376-0025	B	16	1
L24, 4	SN7402N	376-0015	B	16	2
L25, 31, 38	SN7410N	376-0057	B	16	3
L26	SN7400N	376-0012	7	14	1
L27	SN7400N	376-0025	7	14	1



COMPONENT	SIZE, TYPE	W.L. NO.	QTY.
RESISTORS, 1/4W, 1% TOL	1K 1/4W	330-3010	17
RESISTORS, 1/4W, 1% TOL	47K 1/4W	330-3047	1
RESISTORS, 1/4W, 1% TOL	220Ω 1/4W	330-2202	3
RESISTORS, 1/4W, 1% TOL	30V 51L	380-1001	30
CAPACITORS, 10μF ±20%, 12V	10μF ±20% 12V	300-1000	10
CAPACITORS, 10μF ±20%, 12V	10μF ±20% 12V	300-1022	2

WANG LABORATORIES, INC.

MODEL NO. 2200

TITLE: SCHEMATIC LOGIC/LOG # 6310 ALU

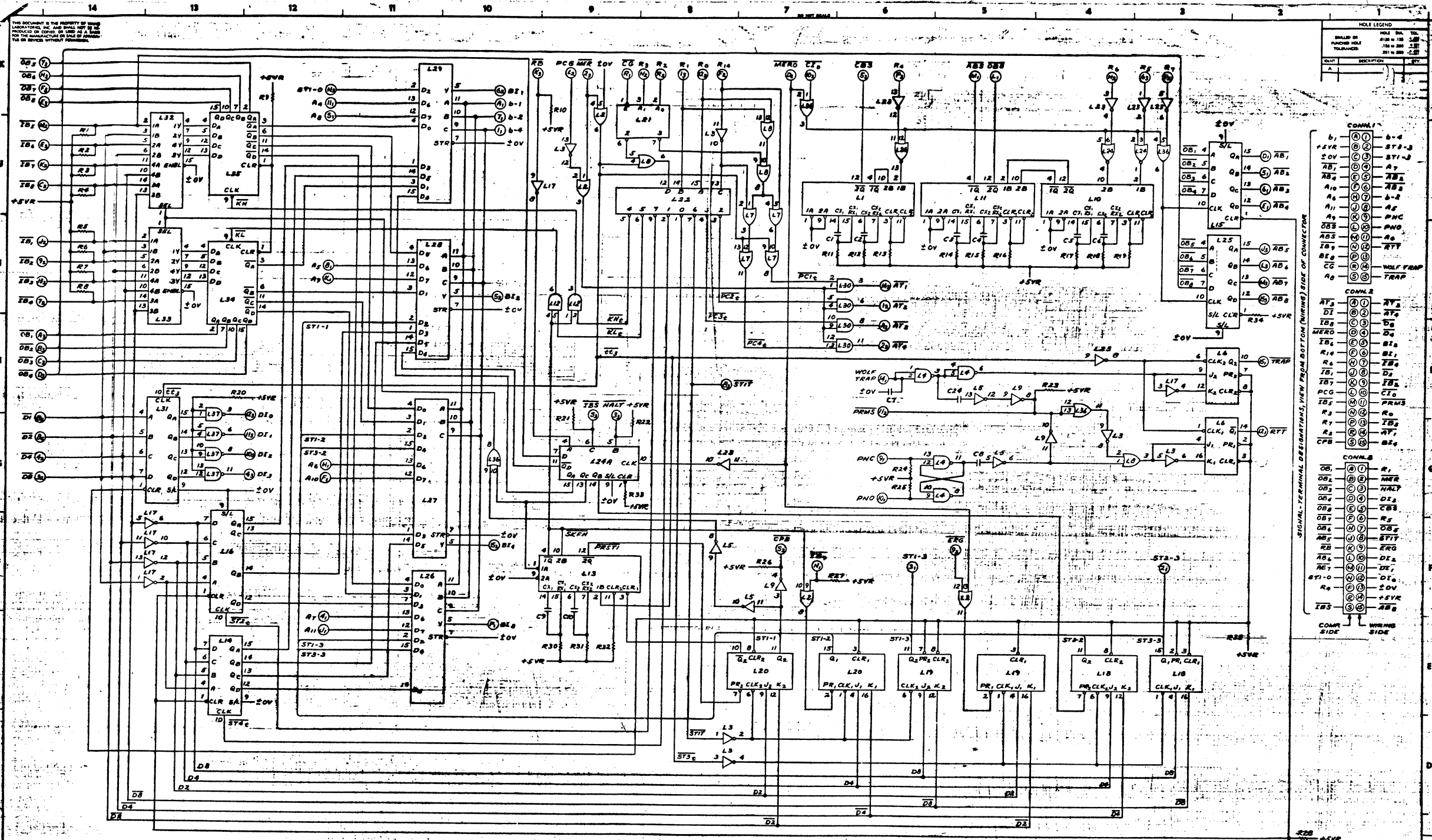
DATE: 3-7-73

APPROVED BY: [Signature]

SCALE: 1/8" = 1"

REVISION

NO.	DATE	DESCRIPTION
1	11-15-72	INITIAL DESIGN
2	1-10-73	REVISED FOR BOARD LAYOUT
3	2-15-73	REVISED FOR BOARD LAYOUT
4	3-7-73	REVISED FOR BOARD LAYOUT
5	3-7-73	REVISED FOR BOARD LAYOUT
6	3-7-73	REVISED FOR BOARD LAYOUT
7	3-7-73	REVISED FOR BOARD LAYOUT
8	3-7-73	REVISED FOR BOARD LAYOUT
9	3-7-73	REVISED FOR BOARD LAYOUT
10	3-7-73	REVISED FOR BOARD LAYOUT

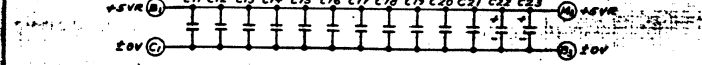


HOLE LEGEND

SIZE	DRILL	REMARKS
Ø.015	Ø.015	Ø.015
Ø.030	Ø.030	Ø.030
Ø.045	Ø.045	Ø.045
Ø.060	Ø.060	Ø.060
Ø.075	Ø.075	Ø.075
Ø.090	Ø.090	Ø.090
Ø.105	Ø.105	Ø.105
Ø.120	Ø.120	Ø.120
Ø.135	Ø.135	Ø.135
Ø.150	Ø.150	Ø.150
Ø.165	Ø.165	Ø.165
Ø.180	Ø.180	Ø.180
Ø.195	Ø.195	Ø.195
Ø.210	Ø.210	Ø.210
Ø.225	Ø.225	Ø.225
Ø.240	Ø.240	Ø.240
Ø.255	Ø.255	Ø.255
Ø.270	Ø.270	Ø.270
Ø.285	Ø.285	Ø.285
Ø.300	Ø.300	Ø.300
Ø.315	Ø.315	Ø.315
Ø.330	Ø.330	Ø.330
Ø.345	Ø.345	Ø.345
Ø.360	Ø.360	Ø.360
Ø.375	Ø.375	Ø.375
Ø.390	Ø.390	Ø.390
Ø.405	Ø.405	Ø.405
Ø.420	Ø.420	Ø.420
Ø.435	Ø.435	Ø.435
Ø.450	Ø.450	Ø.450
Ø.465	Ø.465	Ø.465
Ø.480	Ø.480	Ø.480
Ø.495	Ø.495	Ø.495
Ø.510	Ø.510	Ø.510
Ø.525	Ø.525	Ø.525
Ø.540	Ø.540	Ø.540
Ø.555	Ø.555	Ø.555
Ø.570	Ø.570	Ø.570
Ø.585	Ø.585	Ø.585
Ø.600	Ø.600	Ø.600
Ø.615	Ø.615	Ø.615
Ø.630	Ø.630	Ø.630
Ø.645	Ø.645	Ø.645
Ø.660	Ø.660	Ø.660
Ø.675	Ø.675	Ø.675
Ø.690	Ø.690	Ø.690
Ø.705	Ø.705	Ø.705
Ø.720	Ø.720	Ø.720
Ø.735	Ø.735	Ø.735
Ø.750	Ø.750	Ø.750
Ø.765	Ø.765	Ø.765
Ø.780	Ø.780	Ø.780
Ø.795	Ø.795	Ø.795
Ø.810	Ø.810	Ø.810
Ø.825	Ø.825	Ø.825
Ø.840	Ø.840	Ø.840
Ø.855	Ø.855	Ø.855
Ø.870	Ø.870	Ø.870
Ø.885	Ø.885	Ø.885
Ø.900	Ø.900	Ø.900
Ø.915	Ø.915	Ø.915
Ø.930	Ø.930	Ø.930
Ø.945	Ø.945	Ø.945
Ø.960	Ø.960	Ø.960
Ø.975	Ø.975	Ø.975
Ø.990	Ø.990	Ø.990
Ø.1005	Ø.1005	Ø.1005

CONN 1

1	Ø.01	Ø.01	Ø.01
2	Ø.02	Ø.02	Ø.02
3	Ø.03	Ø.03	Ø.03
4	Ø.04	Ø.04	Ø.04
5	Ø.05	Ø.05	Ø.05
6	Ø.06	Ø.06	Ø.06
7	Ø.07	Ø.07	Ø.07
8	Ø.08	Ø.08	Ø.08
9	Ø.09	Ø.09	Ø.09
10	Ø.10	Ø.10	Ø.10
11	Ø.11	Ø.11	Ø.11
12	Ø.12	Ø.12	Ø.12
13	Ø.13	Ø.13	Ø.13
14	Ø.14	Ø.14	Ø.14
15	Ø.15	Ø.15	Ø.15
16	Ø.16	Ø.16	Ø.16
17	Ø.17	Ø.17	Ø.17
18	Ø.18	Ø.18	Ø.18
19	Ø.19	Ø.19	Ø.19
20	Ø.20	Ø.20	Ø.20
21	Ø.21	Ø.21	Ø.21
22	Ø.22	Ø.22	Ø.22
23	Ø.23	Ø.23	Ø.23
24	Ø.24	Ø.24	Ø.24
25	Ø.25	Ø.25	Ø.25
26	Ø.26	Ø.26	Ø.26
27	Ø.27	Ø.27	Ø.27
28	Ø.28	Ø.28	Ø.28
29	Ø.29	Ø.29	Ø.29
30	Ø.30	Ø.30	Ø.30
31	Ø.31	Ø.31	Ø.31
32	Ø.32	Ø.32	Ø.32
33	Ø.33	Ø.33	Ø.33
34	Ø.34	Ø.34	Ø.34
35	Ø.35	Ø.35	Ø.35
36	Ø.36	Ø.36	Ø.36
37	Ø.37	Ø.37	Ø.37
38	Ø.38	Ø.38	Ø.38
39	Ø.39	Ø.39	Ø.39
40	Ø.40	Ø.40	Ø.40
41	Ø.41	Ø.41	Ø.41
42	Ø.42	Ø.42	Ø.42
43	Ø.43	Ø.43	Ø.43
44	Ø.44	Ø.44	Ø.44
45	Ø.45	Ø.45	Ø.45
46	Ø.46	Ø.46	Ø.46
47	Ø.47	Ø.47	Ø.47
48	Ø.48	Ø.48	Ø.48
49	Ø.49	Ø.49	Ø.49
50	Ø.50	Ø.50	Ø.50
51	Ø.51	Ø.51	Ø.51
52	Ø.52	Ø.52	Ø.52
53	Ø.53	Ø.53	Ø.53
54	Ø.54	Ø.54	Ø.54
55	Ø.55	Ø.55	Ø.55
56	Ø.56	Ø.56	Ø.56
57	Ø.57	Ø.57	Ø.57
58	Ø.58	Ø.58	Ø.58
59	Ø.59	Ø.59	Ø.59
60	Ø.60	Ø.60	Ø.60
61	Ø.61	Ø.61	Ø.61
62	Ø.62	Ø.62	Ø.62
63	Ø.63	Ø.63	Ø.63
64	Ø.64	Ø.64	Ø.64
65	Ø.65	Ø.65	Ø.65
66	Ø.66	Ø.66	Ø.66
67	Ø.67	Ø.67	Ø.67
68	Ø.68	Ø.68	Ø.68
69	Ø.69	Ø.69	Ø.69
70	Ø.70	Ø.70	Ø.70
71	Ø.71	Ø.71	Ø.71
72	Ø.72	Ø.72	Ø.72
73	Ø.73	Ø.73	Ø.73
74	Ø.74	Ø.74	Ø.74
75	Ø.75	Ø.75	Ø.75
76	Ø.76	Ø.76	Ø.76
77	Ø.77	Ø.77	Ø.77
78	Ø.78	Ø.78	Ø.78
79	Ø.79	Ø.79	Ø.79
80	Ø.80	Ø.80	Ø.80
81	Ø.81	Ø.81	Ø.81
82	Ø.82	Ø.82	Ø.82
83	Ø.83	Ø.83	Ø.83
84	Ø.84	Ø.84	Ø.84
85	Ø.85	Ø.85	Ø.85
86	Ø.86	Ø.86	Ø.86
87	Ø.87	Ø.87	Ø.87
88	Ø.88	Ø.88	Ø.88
89	Ø.89	Ø.89	Ø.89
90	Ø.90	Ø.90	Ø.90
91	Ø.91	Ø.91	Ø.91
92	Ø.92	Ø.92	Ø.92
93	Ø.93	Ø.93	Ø.93
94	Ø.94	Ø.94	Ø.94
95	Ø.95	Ø.95	Ø.95
96	Ø.96	Ø.96	Ø.96
97	Ø.97	Ø.97	Ø.97
98	Ø.98	Ø.98	Ø.98
99	Ø.99	Ø.99	Ø.99
100	Ø.100	Ø.100	Ø.100

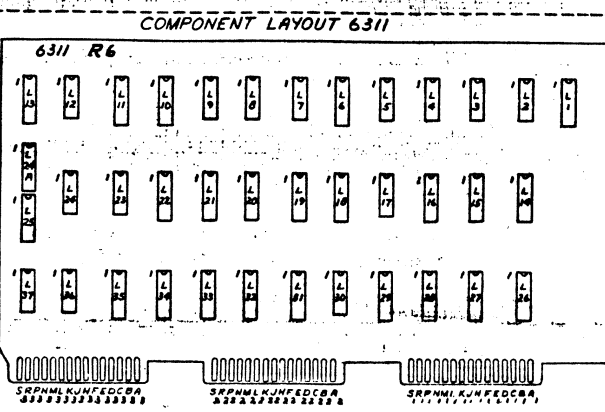


SPARES

TYPE	LOC.	QTY
9935	L1	1
7906	L9	3
7906	L12	2
7976	L19	1
9321	L21	1
7902	L26	1

COMPONENT LAYOUT 6311

S.C. LOCATION	TYPE	W.L. NO.	TERM FOR 20V	TERM FOR VCC +5V	QTY
L1,10,11,12	SN74123N	374-0080	8	16	4
L2,7,8,36	SN7432N	374-0093	7	16	4
L3,17,23	SN7404N	374-0010	7	16	3
L4	SN7400N	374-0002	7	16	1
L5	F935	374-0025	7	16	1
L6,18,19,20	SN7476N	374-0007	13	5	4
L9	SN7406N	374-0055	7	16	1
L12,30	SN7408N	374-0081	7	16	2
L14,15,16,24,25,31	SN74195N	374-0097	8	16	6
L21	F9321	374-0096	8	16	1
L22	SN7442N	374-0008	8	16	1
L28	SN7402N	374-0016	7	16	1
L26,27,28,29	SN74151N	374-0087	8	16	4
L32,33	SN74157N	374-0082	8	16	2
L34,35	SN74175N	374-0119	8	16	2
L37	SN7437N	374-0068	7	16	1



COMPONENT

SIZE	TYPE	W.L. NO.	QTY
R1,2,4,5,7,8,10,20,21,22,23,26,27,28	1K 1/4W	330-3000	16
R9,13,14,15,32	2.7K 1/4W	330-3827	8
R11,17,18,30,31	10K 1/4W	330-4000	8
R12,4,15	33K 1/4W	330-4033	8
R24,25,28,34	4.7K 1/4W	330-3007	8
R29	470 Ω 1/4W	330-2047	1
C1,5,6	330nF CER	300-1390	3
C2,3,4	470nF CER	300-1670	3
C10	82nF CER	300-1082	4
C8	820nF CER	300-1920	2
C9	220nF CER	300-1220	1
C14,15,16,17,18,19,20,21,24	0.05µF 12V CER	380-1100	18
C22,33	15µF 15V TANT	300-4022	2
C7	0.1µF CER	300-1903	1

WANG PART NO. ITEM QTY NAME MATERIAL

DATE	BY	DATE	DESCRIPTION
1-7-73	DWN F.S.	1-7-73	ENGR J.T.
1-7-73	CHK	1-7-73	ENGR
			ENGR
			ENGR

MODEL NO. 2200

TITLE: BLOCK CIRCUIT DIAGRAM # 6311 INPUT/OUTPUT CONTROL

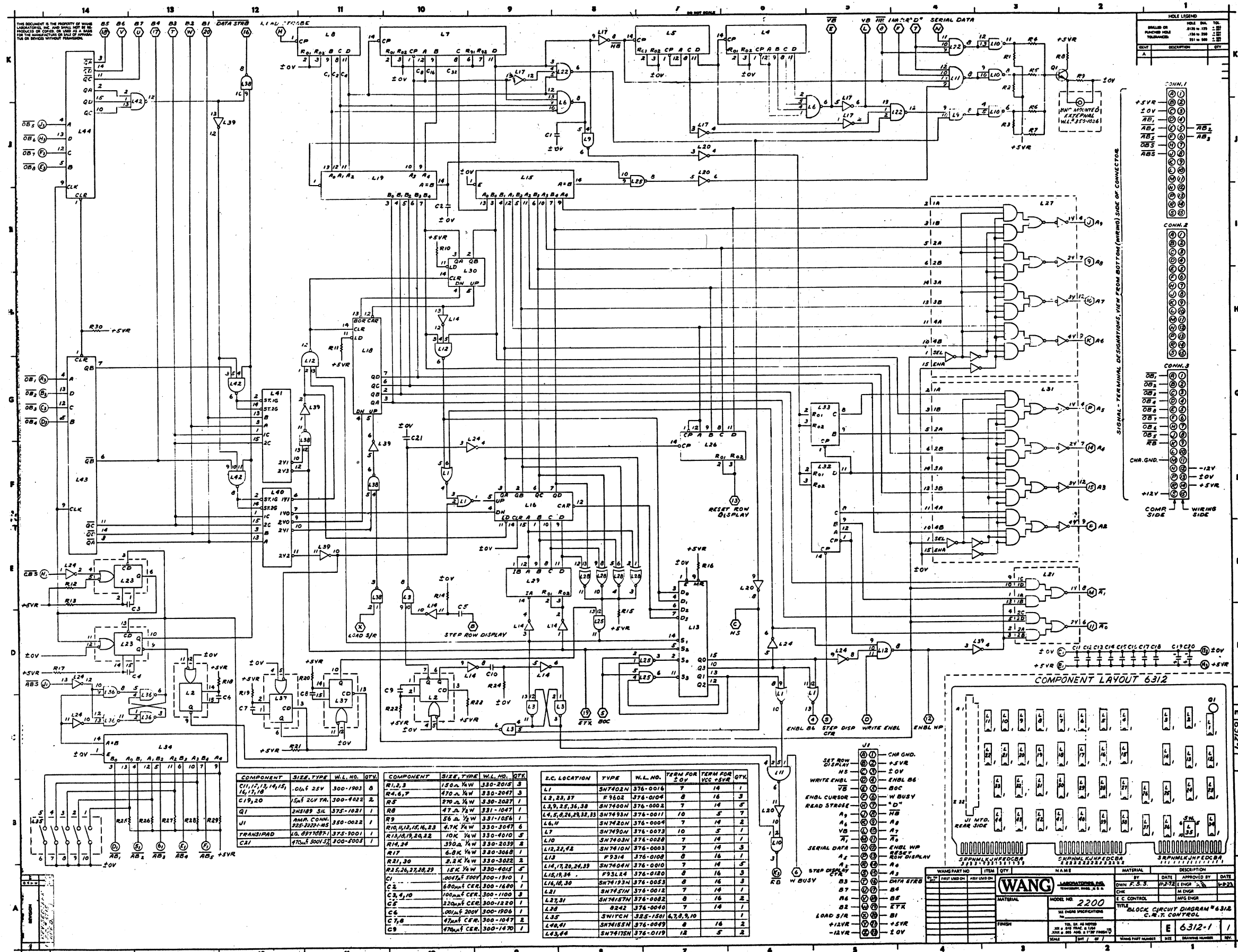
DATE: 1-7-73

SCALE: 1/4" = 1"

WANG PART NO. 6311

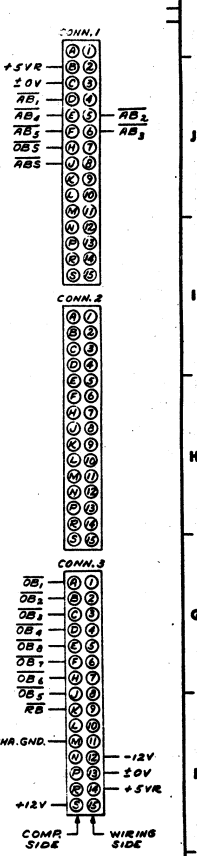
DATE: 1-7-73

SCALE: 1/4" = 1"



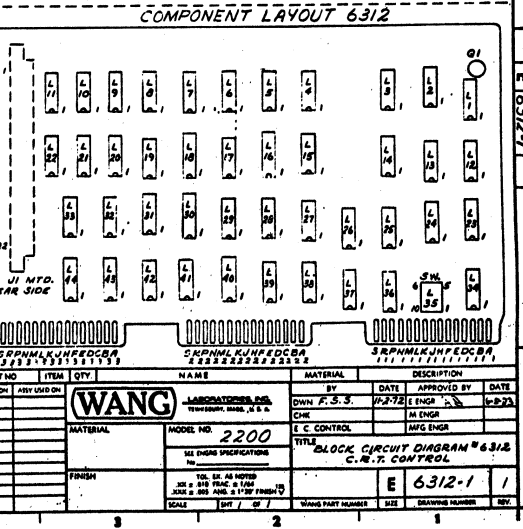
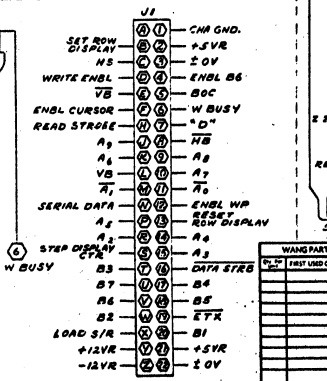
HOLE LEGEND

NO.	SIZE	QTY.
1	1/8" DIA.	1
2	1/16" DIA.	2
3	3/32" DIA.	2
4	1/8" DIA.	2
5	1/16" DIA.	2
6	3/32" DIA.	2



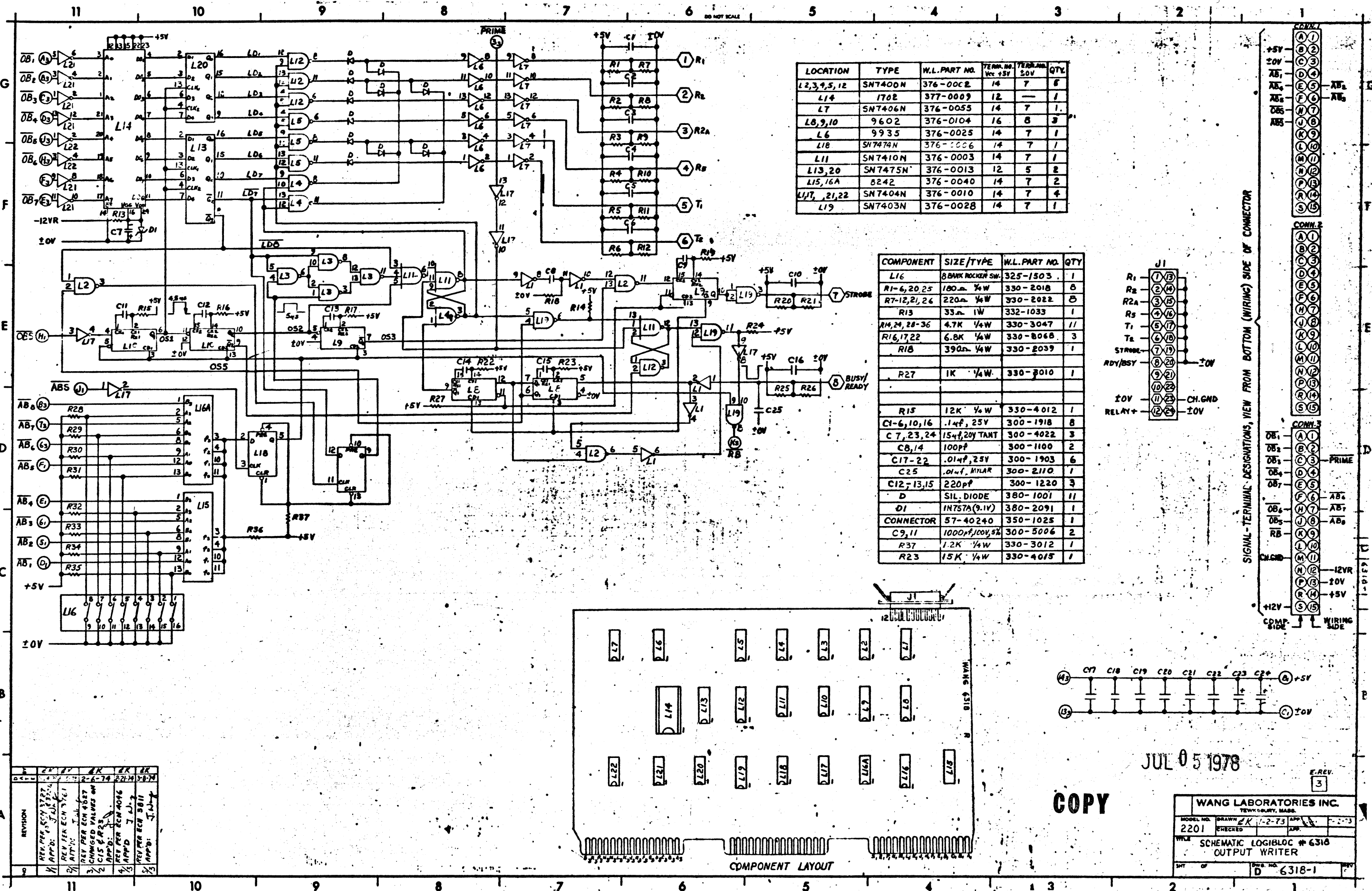
COMPONENT	SIZE	TYPE	W.L. NO.	QTY.
C1,12,13,14,15,16,17,18	.01µF 25V	300-1903	8	
C19,20	15µF 20V TA	300-4022	2	
Q1	3HS189 SL	375-1021	1	
J1	AMA CONN.	350-0022	1	
TRANSIPAD	16.8PT108X	375-3001	1	
C21	470µF 20V	300-3005	1	

IC LOCATION	TYPE	W.L. NO.	TERM FOR 50V	TERM FOR VCC+5V	QTY.
L1	SN7402N	376-0016	7	14	1
L2,23,27	F 7602	376-0104	8	16	3
L3,9,25,26,30	SN7400N	376-0002	7	14	5
L4,5,8,24,28,32,33	SN7493N	376-0011	10	5	7
L6,N	SN7420N	376-0004	7	14	2
L7	SN7490N	376-0073	10	5	1
L10	SN7403N	376-0028	7	14	1
L12,22,42	SN7410N	376-0003	7	14	3
L13	F 9314	376-0102	8	16	1
L14,15,20,24,35	SN7406N	376-0010	7	14	5
L15,19,34	F 9314	376-0102	8	16	3
L16,16,30	SN7406N	376-0010	7	14	1
L21	SN7405N	376-0012	7	14	1
L22	8242	376-0040	7	14	1
L25	SWITCH	325-1501	4,7,9,5,10		1
L26,N	SN7415N	376-0049	8	16	2
L28,44	SN7415N	376-0119	12	5	2



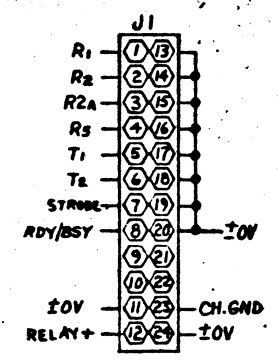
WANG

MODEL NO. 2200
 TITLE: BLOCK CIRCUIT DIAGRAM # 6312, C.R.T. CONTROL
 DATE: 11/11/61
 DRAWING NUMBER: 6312-1

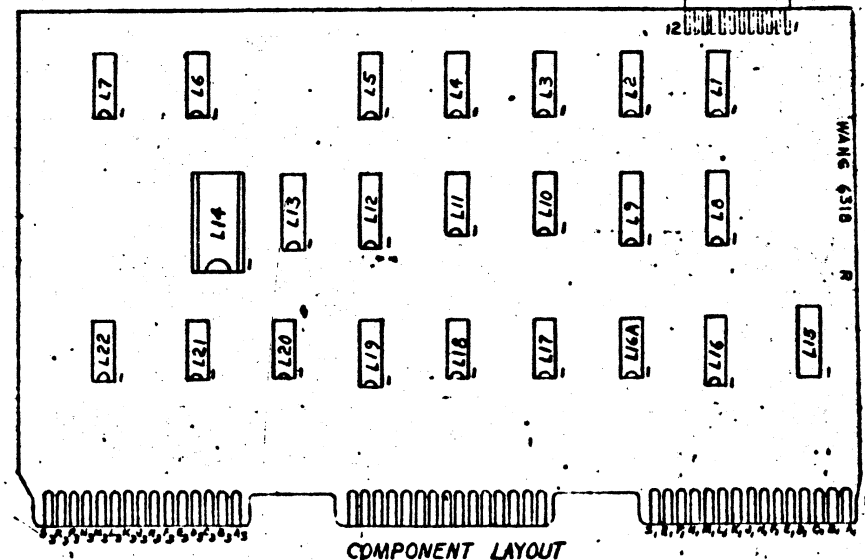
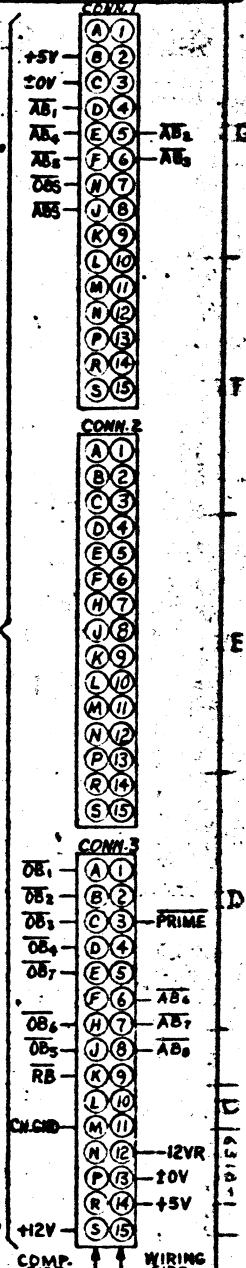


LOCATION	TYPE	W.L. PART NO.	TERM. NO. Vcc +5V	TERM. NO. 20V	QTY.
L2,3,4,5,12	SN7400N	376-0002	14	7	8
L14	1702	377-0009	12	—	1
L7	SN7406N	376-0055	14	7	1
L8,9,10	9602	376-0104	16	8	3
L6	9935	376-0025	14	7	1
L18	SN7474N	376-0006	14	7	1
L11	SN7410N	376-0003	14	7	1
L13,20	SN7475N	376-0013	12	5	2
L15,16A	8242	376-0040	14	7	2
L17,21,22	SN7404N	376-0010	14	7	4
L19	SN7403N	376-0028	14	7	1

COMPONENT	SIZE/TYPER	W.L. PART NO.	QTY.
L16	8 BANK ROCKER SW	325-1503	1
R1-6,20,25	180Ω 1/4W	330-2018	8
R7-12,21,24	220Ω 1/4W	330-2022	8
R13	33Ω 1W	332-1033	1
R14,24,28-36	4.7K 1/4W	330-3047	11
R16,17,22	6.8K 1/4W	330-3068	3
R18	390Ω 1/4W	330-2039	1
R27	1K 1/4W	330-3010	1
R15	12K 1/4W	330-4012	1
C1-6,10,16	.1μf, 25V	300-1918	8
C7,23,24	15μf, 20V TANT	300-4022	3
C8,14	100pf	300-1100	2
C17-22	.01μf, 25V	300-1903	6
C25	.01μf, MYLAR	300-2110	1
C12,13,15	220pf	300-1220	3
D	SIL. DIODE	380-1001	11
D1	INT57A(9.1V)	380-2091	1
CONNECTOR	57-40240	350-1025	1
C9,11	1000pf/100V, 5%	300-5006	2
R37	1.2K 1/4W	330-3012	1
R23	15K 1/4W	330-4015	1



SIGNAL-TERMINAL DESIGNATIONS, VIEW FROM BOTTOM (WIRING) SIDE OF CONNECTOR

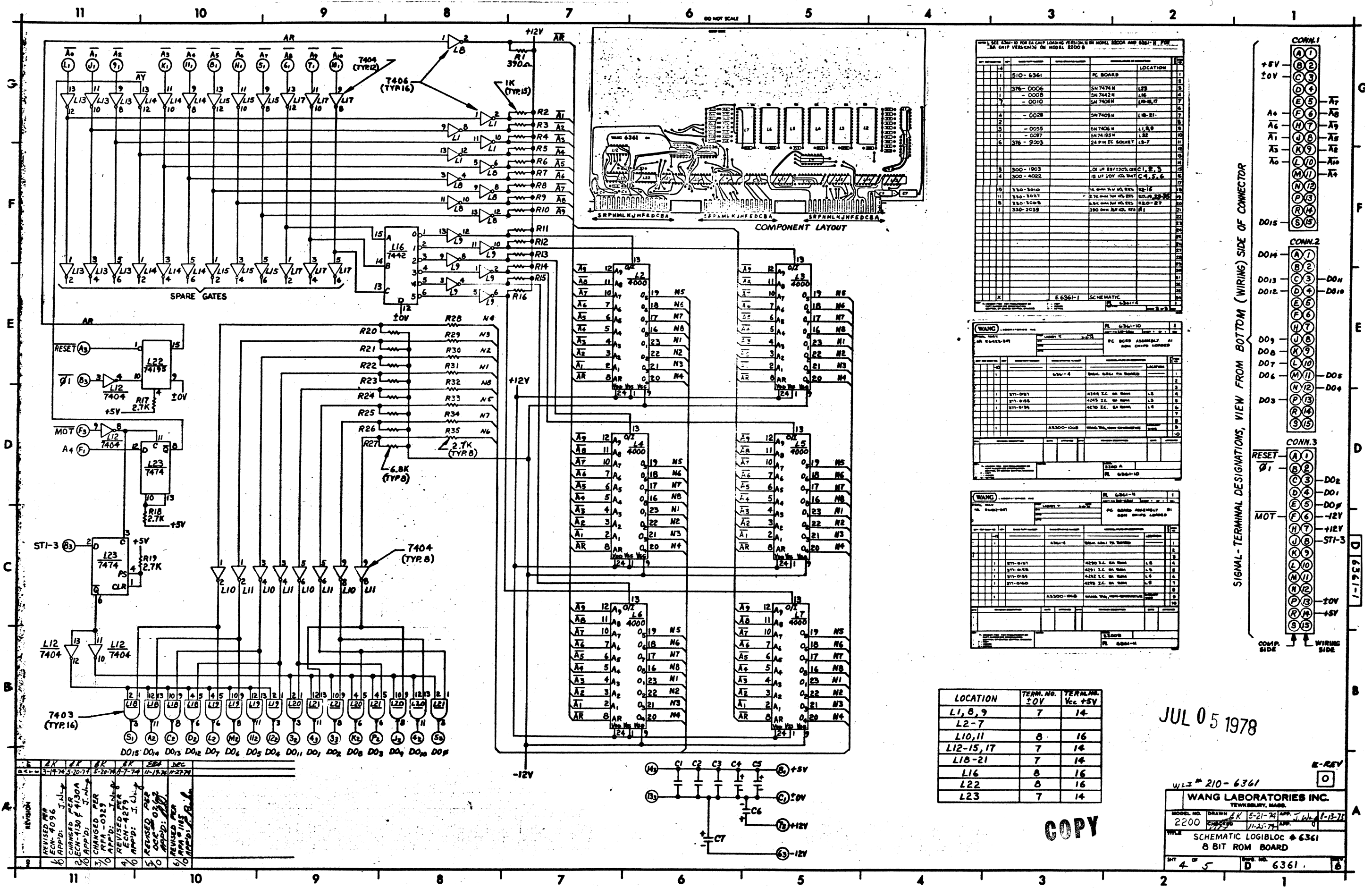


COPY

JUL 05 1978

REV.	REV. PER	DATE	BY	CHK
1	REV. PER ECH 3/27/77	3-27-77	AK	AK
2	APP'D: J. J. J.	3-27-77	AK	AK
3	REV. PER ECH 3/27/77	3-27-77	AK	AK
4	CHANGED VALUES ON C15 & R23	2-21-78	AK	AK
5	APP'D: J. J. J.	2-21-78	AK	AK
6	REV. PER ECH 4/26/78	4-26-78	AK	AK
7	APP'D: J. J. J.	4-26-78	AK	AK
8	REV. PER ECH 5/11/78	5-11-78	AK	AK
9	APP'D: J. J. J.	5-11-78	AK	AK

WANG LABORATORIES INC.
 MODEL NO. 2201
 DRAWN BY: AK
 CHECKED BY: J. J. J.
 DATE: 7-2-78
 TITLE: SCHEMATIC LOGIBLOC # 6316 OUTPUT WRITER
 SHEET NO. D 6318-1

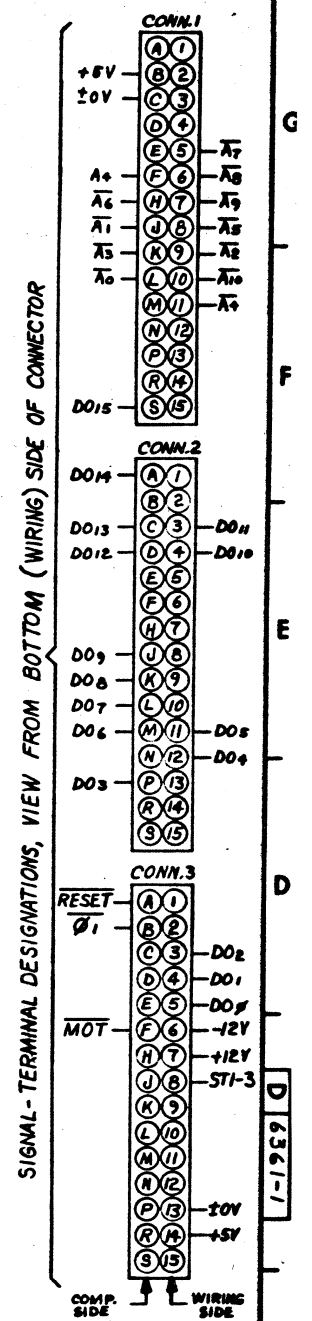


LOC	DESCRIPTION	QUANTITY	LOCATION
1	510-6361	PC BOARD	11
1	376-0006	SN 7474 N	L2
1	-0008	SN 7442 N	L8
7	-0010	SN 7404 N	L18-21
4	-0028	SN 7405 N	L18-21
2	-0035	SN 7406 N	L1, 8, 9
11	-0037	SN 7415 N	L8
6	376-9203	24 PIN IC SOCKET	L8-7
3	300-1903	15 UP 20V 10% CAP C-1, 2, 3	L15, 16, 17
4	300-4022	15 UP 20V 10% CAP C-4, 5, 6	L15, 16, 17
15	330-3010	1/4 WATT 1/2 W RES	R2-16
11	330-3017	1/4 WATT 1/2 W RES	R17, 19, 20, 21
8	330-3018	1/4 WATT 1/2 W RES	R20-27
1	330-2039	150 OHM 1/4 W RES	R1

LOC	DESCRIPTION	QUANTITY	LOCATION
1	6361-10	PC BOARD ASSEMBLY AT ROM CHIPS LOADED	1
1	6361-4	SN 7474 N	L2
1	6361-4	SN 7442 N	L8
1	6361-4	SN 7404 N	L18-21
1	6361-4	SN 7405 N	L18-21
1	6361-4	SN 7406 N	L1, 8, 9
1	6361-4	SN 7415 N	L8
1	6361-4	24 PIN IC SOCKET	L8-7
1	6361-4	15 UP 20V 10% CAP C-1, 2, 3	L15, 16, 17
1	6361-4	15 UP 20V 10% CAP C-4, 5, 6	L15, 16, 17
1	6361-4	1/4 WATT 1/2 W RES	R2-16
1	6361-4	1/4 WATT 1/2 W RES	R17, 19, 20, 21
1	6361-4	1/4 WATT 1/2 W RES	R20-27
1	6361-4	150 OHM 1/4 W RES	R1

LOC	DESCRIPTION	QUANTITY	LOCATION
1	6361-11	PC BOARD ASSEMBLY AT ROM CHIPS LOADED	1
1	6361-4	SN 7474 N	L2
1	6361-4	SN 7442 N	L8
1	6361-4	SN 7404 N	L18-21
1	6361-4	SN 7405 N	L18-21
1	6361-4	SN 7406 N	L1, 8, 9
1	6361-4	SN 7415 N	L8
1	6361-4	24 PIN IC SOCKET	L8-7
1	6361-4	15 UP 20V 10% CAP C-1, 2, 3	L15, 16, 17
1	6361-4	15 UP 20V 10% CAP C-4, 5, 6	L15, 16, 17
1	6361-4	1/4 WATT 1/2 W RES	R2-16
1	6361-4	1/4 WATT 1/2 W RES	R17, 19, 20, 21
1	6361-4	1/4 WATT 1/2 W RES	R20-27
1	6361-4	150 OHM 1/4 W RES	R1

LOCATION	TERM. NO.	TERMINAL Vcc +5V
L1, 8, 9	7	14
L2-7		
L10, 11	8	16
L12-15, 17	7	14
L18-21	7	14
L16	8	16
L22	8	16
L23	7	14



REV	BY	CHK	DATE	DESCRIPTION
1	J.M.	J.M.	5-20-74	REVISED PER ECN-4056
2	J.M.	J.M.	5-20-74	CHANGED PER ECN-4130
3	J.M.	J.M.	6-7-74	CHANGED PER RFA-0929
4	J.M.	J.M.	11-15-74	REVISED PER ECN-4279
5	J.M.	J.M.	11-15-74	REVISED PER ECN-4279
6	J.M.	J.M.	11-22-74	REVISED PER ECN-4279

JUL 05 1978

COPY

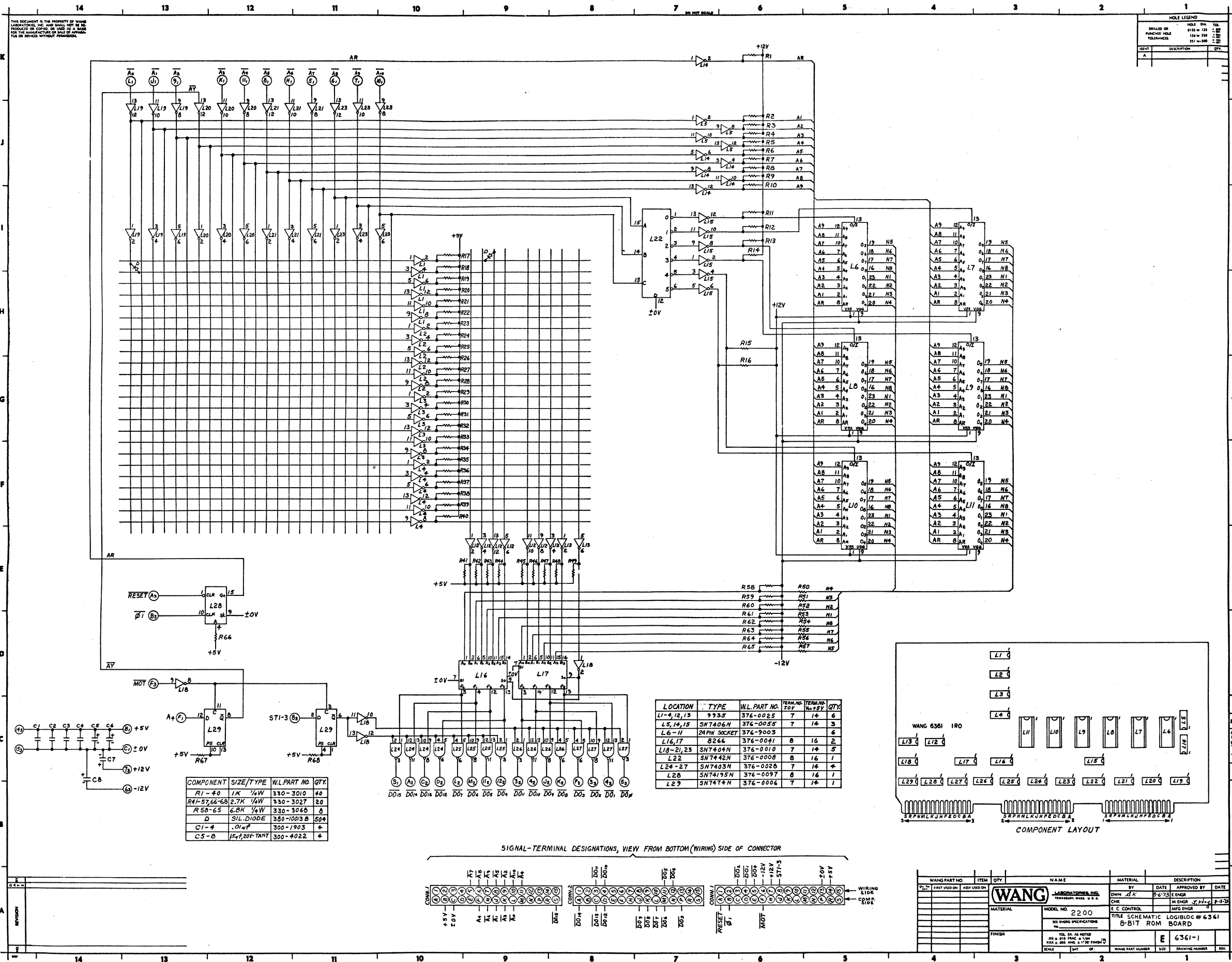
W.L.I. # 210-6361

WANG LABORATORIES INC.
TEWKSBURY, MASS.

MODEL NO. 2200 DRAWN BY J.M. 5-21-74 APP. J.M. 5-23-74
DATE 7/1/78

SCHMATIC LOGIBLOC # 6361
8 BIT ROM BOARD

SHEET 4 OF 5



HOLE LEGEND

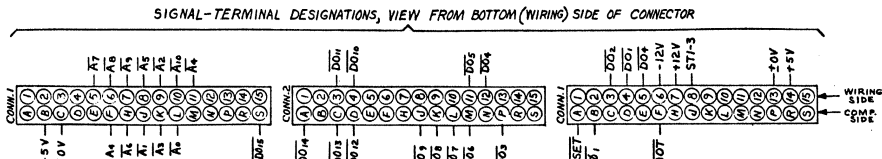
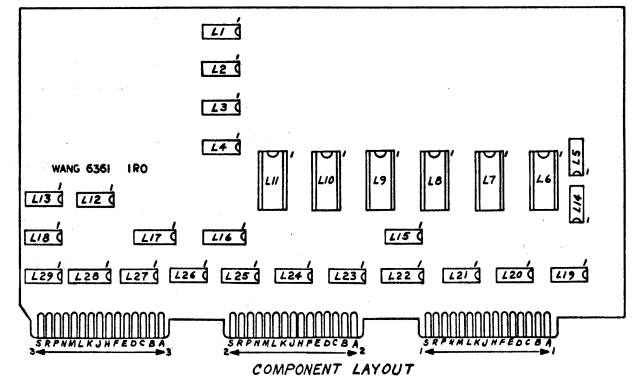
HOLE DIA.	TOL.
DRILLED HOLE	±.005
PUNCHED HOLE	±.010
TOLERANCES	±.005
±.010	±.010
±.015	±.015

COMPONENT SIZE/TYP. WL.PART NO. QTY.

R1 - 40	1/K 1/4W	330-3010	40
R4-R57,66-68	2.7K 1/4W	330-3027	20
R58-65	6.8K 1/4W	330-3048	8
D	SIL. DIODE	380-1003B	50+
C1-4	.01uF	300-1903	4
C5-8	15uF, 20V-TANT	300-4022	4

LOCATION TYPE WL.PART NO. TERM. NO. TOV TERM. NO. +5V QTY.

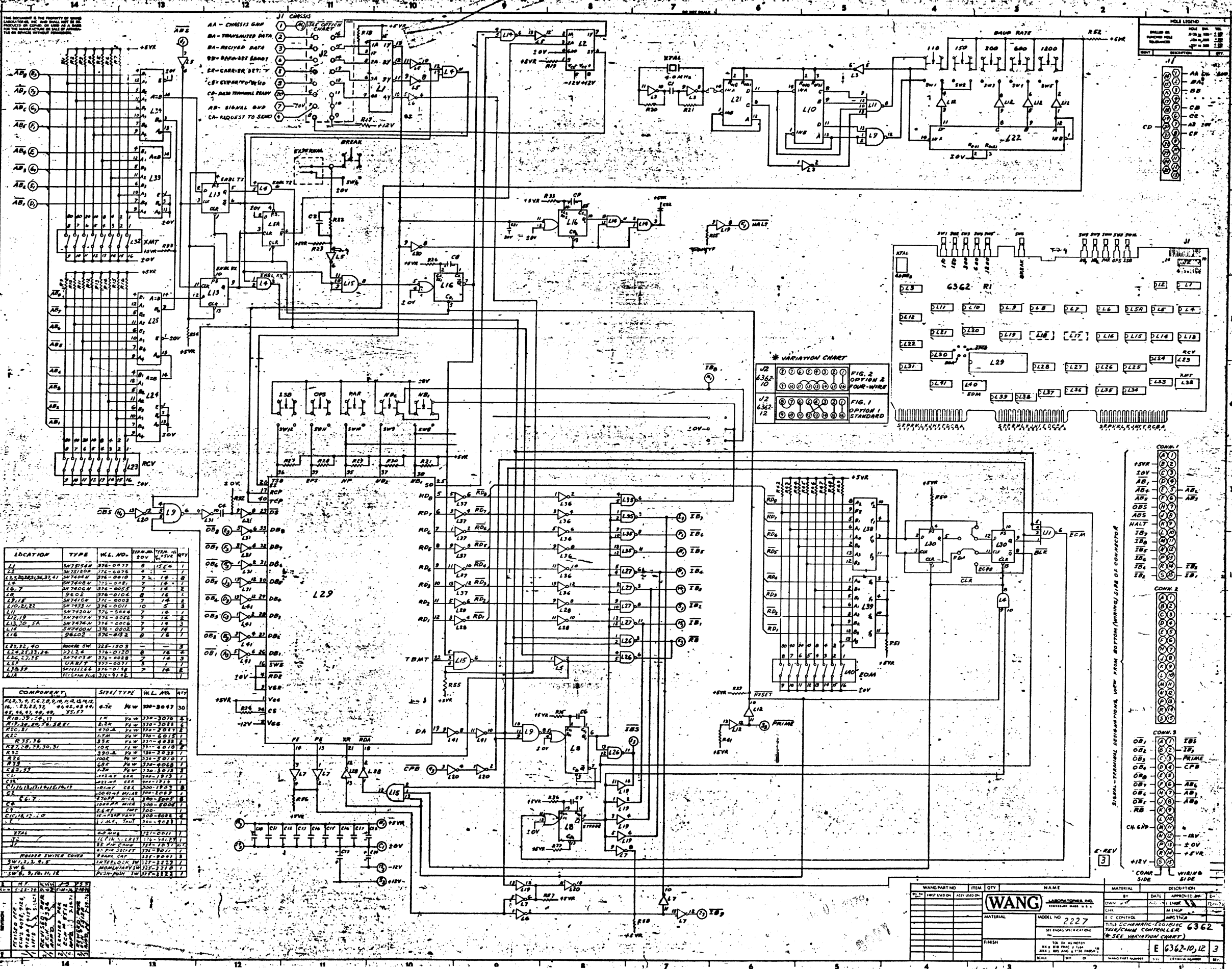
L1-4,12,13	9935	376-0025	7	14	6
L5,14,15	SN7406N	376-0055	7	14	3
L6-11	24PIN SOCKET	376-9003			6
L16,17	8266	376-0041	8	16	2
L18-21,23	SN7404N	376-0010	7	14	5
L22	SN7442N	376-0008	8	16	1
L24-27	SN7403N	376-0028	7	14	4
L28	SN74195N	376-0097	8	16	1
L29	SN7414N	376-0006	7	14	1



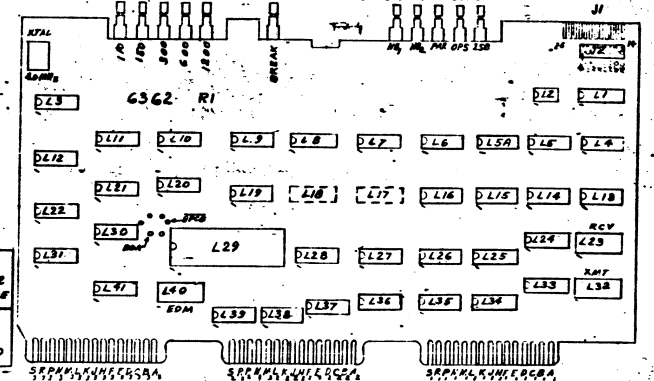
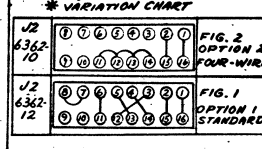
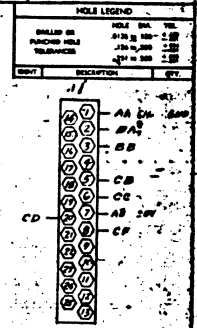
WANG PART NO.	ITEM	QTY.	NAME	MATERIAL	DESCRIPTION



MODEL NO. 2200
 TITLE SCHEMATIC LOGIC BLOC # 6361
 8-BIT ROM BOARD
 SCALE 1:1
 SHEET 1 OF 1
 WANG PART NUMBER 6361-1



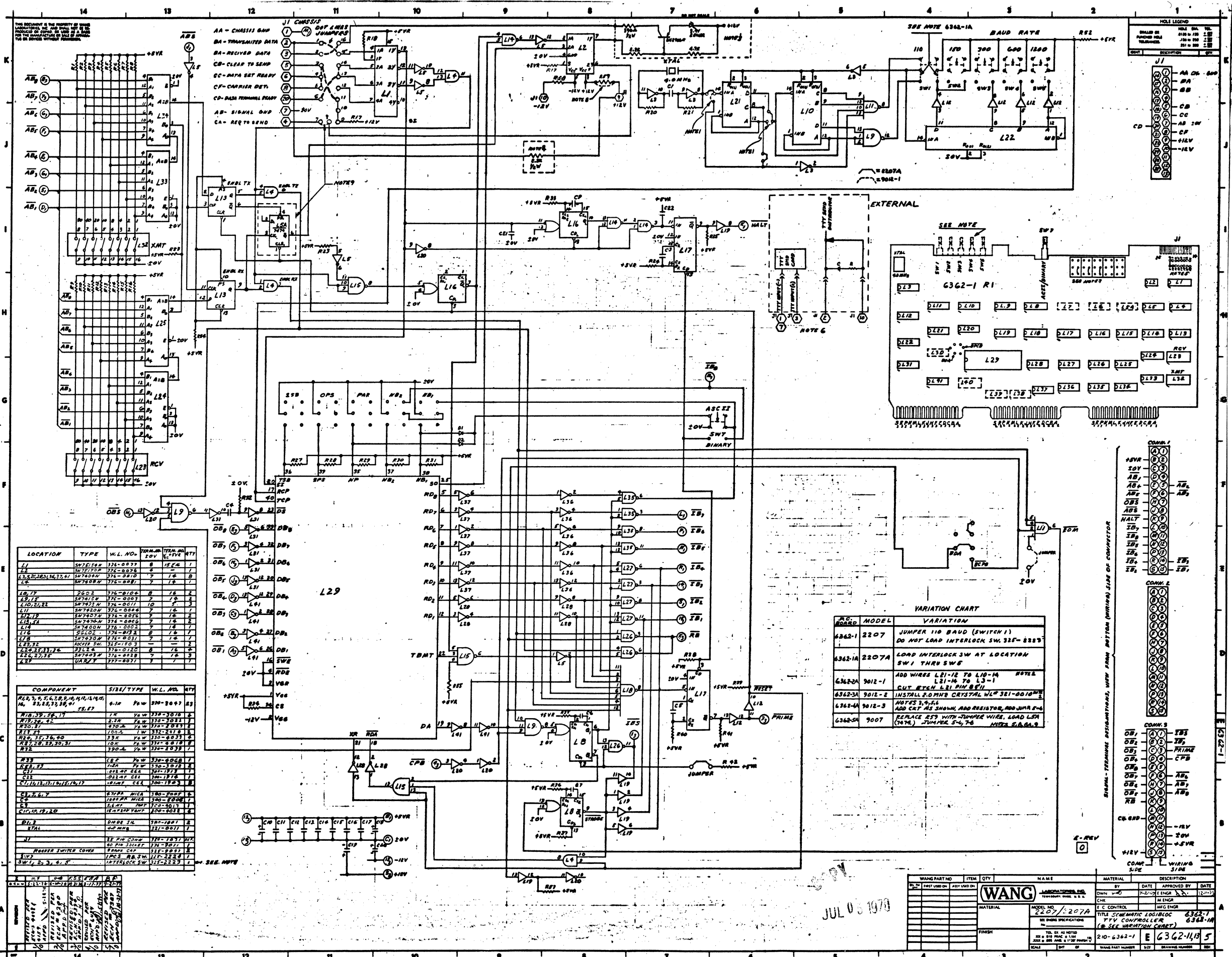
- AA - CHASSIS GND
 BA - TRANSMITTED DATA
 CA - DATA NOT READY
 DA - CARRIER DET.
 EA - EXPANDER/INSTR
 FA - DATA TERMINAL READY
 GA - SIGNAL GND
 HA - REQUEST TO SEND



LOCATION	TYPE	W.L. NO.	QTY	REV.
L1	SWITCH	376-0077	8	15
L2	SWITCH	376-0078	8	15
L3, L4, L5, L6, L7, L8, L9, L10, L11, L12, L13, L14, L15, L16, L17, L18, L19, L20, L21, L22, L23, L24, L25, L26, L27, L28, L29, L30, L31, L32, L33, L34, L35, L36, L37, L38, L39, L40, L41, L42, L43, L44, L45, L46, L47, L48, L49, L50, L51, L52, L53, L54, L55, L56, L57, L58, L59, L60, L61, L62, L63, L64, L65, L66, L67, L68, L69, L70, L71, L72, L73, L74, L75, L76, L77, L78, L79, L80, L81, L82, L83, L84, L85, L86, L87, L88, L89, L90, L91, L92, L93, L94, L95, L96, L97, L98, L99, L100				

COMPONENT	SIZE/TYP.	W.L. NO.	QTY
R1, R2, R3, R4, R5, R6, R7, R8, R9, R10, R11, R12, R13, R14, R15, R16, R17, R18, R19, R20, R21, R22, R23, R24, R25, R26, R27, R28, R29, R30, R31, R32, R33, R34, R35, R36, R37, R38, R39, R40, R41, R42, R43, R44, R45, R46, R47, R48, R49, R50, R51, R52, R53, R54, R55, R56, R57, R58, R59, R60, R61, R62, R63, R64, R65, R66, R67, R68, R69, R70, R71, R72, R73, R74, R75, R76, R77, R78, R79, R80, R81, R82, R83, R84, R85, R86, R87, R88, R89, R90, R91, R92, R93, R94, R95, R96, R97, R98, R99, R100			

WANG PART NO.	ITEM	QTY	NAME	MATERIAL	DESCRIPTION
6362-10, 12			WANG		
			LABORATORIES INC.		
			MODEL NO. 2227		
			TITLE: SCHEMATIC LOGIC		
			6362		
			E 6362-10, 12		



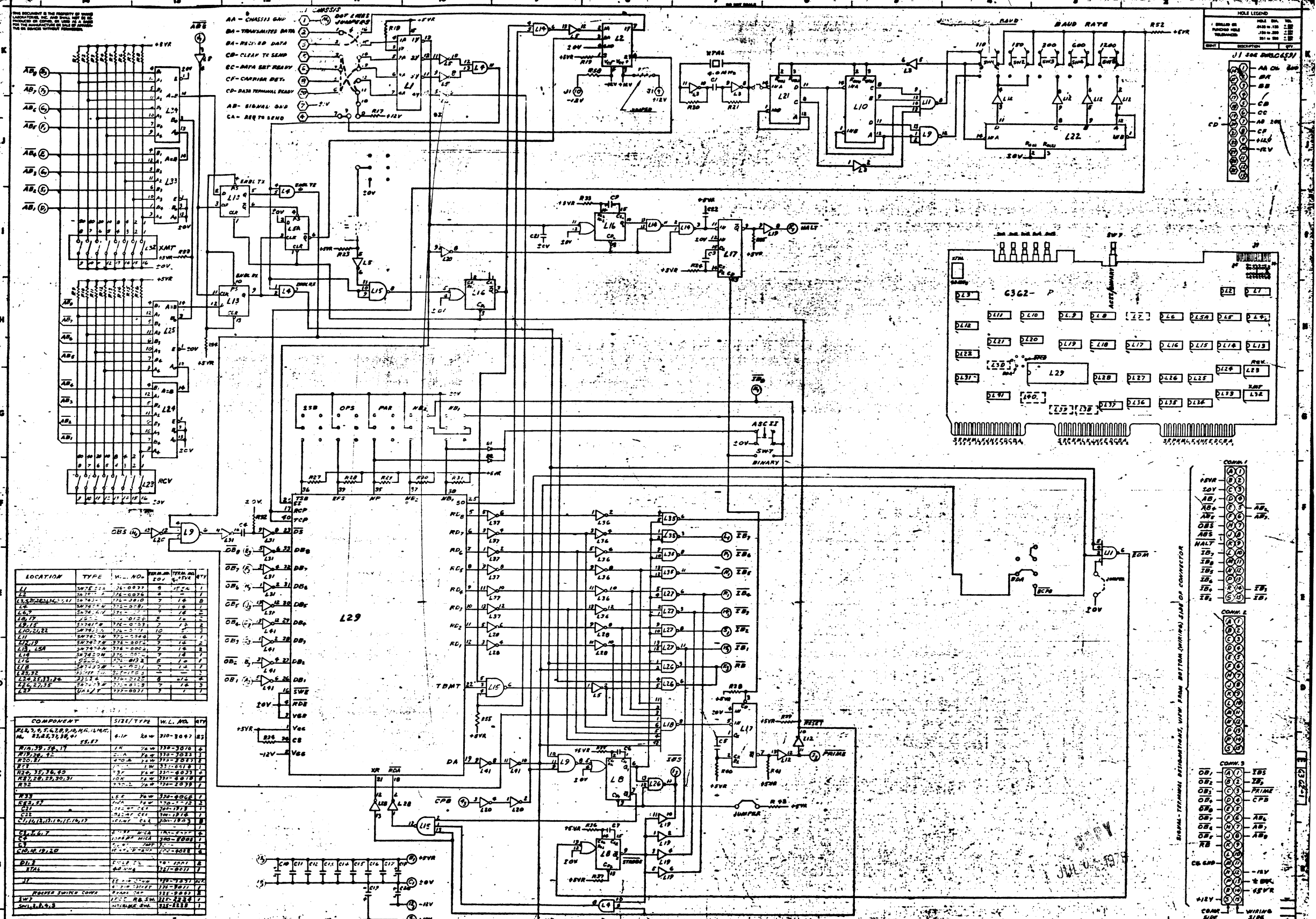
LOCATION	TYPE	W.L. NO.	QTY	REF. DES.
L1	SW7515W	374-0077	8	12 6 1
L2	SW7515W	374-0078	8	12 6 1
L3, L5, L6, L7, L8, L9, L10, L11, L12, L13, L14, L15, L16, L17, L18, L19, L20, L21, L22, L23, L24, L25, L26, L27, L28, L29, L30, L31, L32, L33, L34, L35, L36, L37, L38, L39, L40, L41, L42, L43, L44, L45, L46, L47, L48, L49, L50, L51, L52, L53, L54, L55, L56, L57, L58, L59, L60, L61, L62, L63, L64, L65, L66, L67, L68, L69, L70, L71, L72, L73, L74, L75, L76, L77, L78, L79, L80, L81, L82, L83, L84, L85, L86, L87, L88, L89, L90, L91, L92, L93, L94, L95, L96, L97, L98, L99, L100				

COMPONENT	SIZE/TYP	W.L. NO.	QTY
R1, R2, R3, R4, R5, R6, R7, R8, R9, R10, R11, R12, R13, R14, R15, R16, R17, R18, R19, R20, R21, R22, R23, R24, R25, R26, R27, R28, R29, R30, R31, R32, R33, R34, R35, R36, R37, R38, R39, R40, R41, R42, R43, R44, R45, R46, R47, R48, R49, R50, R51, R52, R53, R54, R55, R56, R57, R58, R59, R60, R61, R62, R63, R64, R65, R66, R67, R68, R69, R70, R71, R72, R73, R74, R75, R76, R77, R78, R79, R80, R81, R82, R83, R84, R85, R86, R87, R88, R89, R90, R91, R92, R93, R94, R95, R96, R97, R98, R99, R100			

WANG PART NO.	ITEM	QTY	NAME	MATERIAL	DESCRIPTION
2207	1	1	TTY CONTROLLER	6362-1	TTY CONTROLLER
6362-1A	1	1	TTY CONTROLLER	6362-1A	TTY CONTROLLER

P.C. BOARD	MODEL	VARIATION
6362-1	2207	JUMPER 110 BAUD (SWITCH 1) DO NOT LOAD INTERLOCK SW. 31F-2223
6362-1A	2207A	LOAD INTERLOCK SW AT LOCATION SW1 THRU SW5
6362-2A	3012-1	ADD WIRES L21-12 TO L10-14 NOTE 1 L21-16 TO L3-1
6362-3A	3012-2	CUT ETCH L21 PIN 8 & 11
6362-4A	3012-3	INSTALL 2.0 PIN CRISTAL WL# 381-0010
6362-5A	3012-3	ADD CRT AS SHOWN, ADD RESISTOR, ADD JUMPERS
6362-5A	3007	REPLACE 259 WITH JUMPER WIRE, LOAD L24 (2474) JUMPER 246, 748 NOTE 6, 6A, 6B, 6C

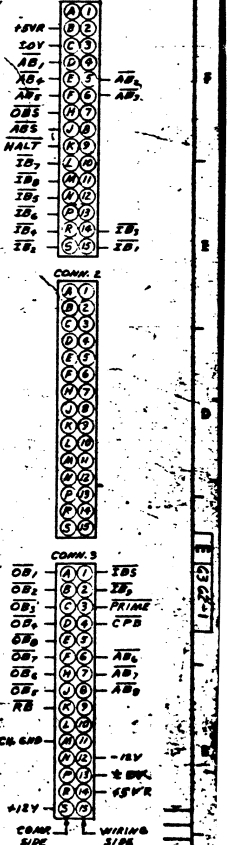
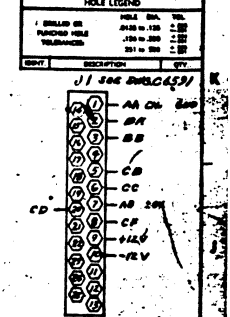
JUL 05 1970

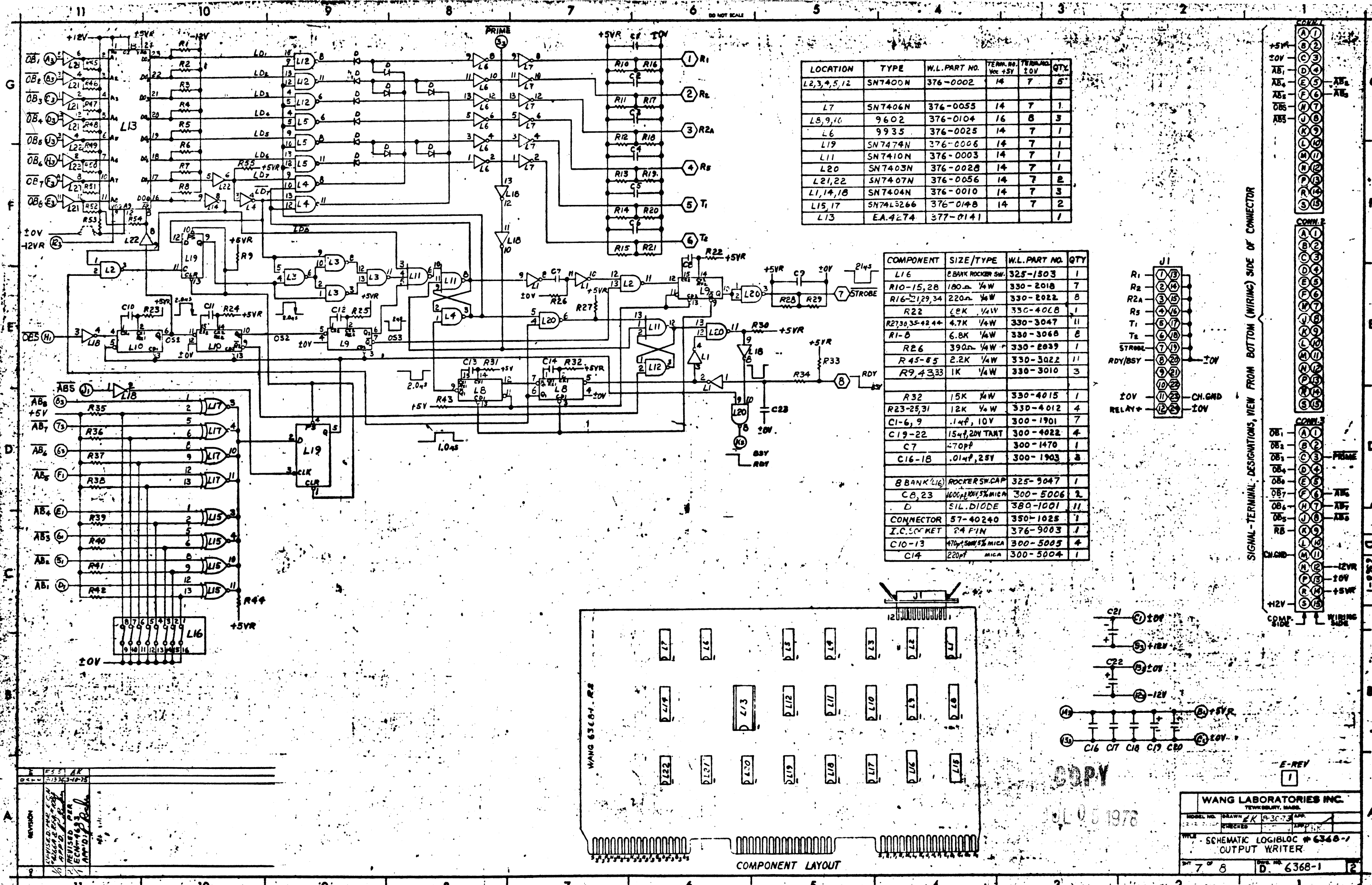


LOCATION	TYPE	W. NO.	QTY	REV.
L1	SWT	36-0070	1	1
L2	SWT	36-0070	1	1
L3	SWT	36-0070	1	1
L4	SWT	36-0070	1	1
L5	SWT	36-0070	1	1
L6	SWT	36-0070	1	1
L7	SWT	36-0070	1	1
L8	SWT	36-0070	1	1
L9	SWT	36-0070	1	1
L10	SWT	36-0070	1	1
L11	SWT	36-0070	1	1
L12	SWT	36-0070	1	1
L13	SWT	36-0070	1	1
L14	SWT	36-0070	1	1
L15	SWT	36-0070	1	1
L16	SWT	36-0070	1	1
L17	SWT	36-0070	1	1
L18	SWT	36-0070	1	1
L19	SWT	36-0070	1	1
L20	SWT	36-0070	1	1
L21	SWT	36-0070	1	1
L22	SWT	36-0070	1	1
L23	SWT	36-0070	1	1
L24	SWT	36-0070	1	1
L25	SWT	36-0070	1	1
L26	SWT	36-0070	1	1
L27	SWT	36-0070	1	1
L28	SWT	36-0070	1	1
L29	SWT	36-0070	1	1
L30	SWT	36-0070	1	1

COMPONENT	SIZE/TYP	W. NO.	QTY
R1, R2, R3, R4, R5, R6, R7, R8, R9, R10, R11, R12, R13, R14, R15, R16, R17, R18, R19, R20, R21, R22, R23, R24, R25, R26, R27, R28, R29, R30	1/4W	36-0070	1
C1, C2, C3, C4, C5, C6, C7, C8, C9, C10	100P	36-0070	1
L1, L2, L3, L4, L5, L6, L7, L8, L9, L10, L11, L12, L13, L14, L15, L16, L17, L18, L19, L20, L21, L22, L23, L24, L25, L26, L27, L28, L29, L30	100P	36-0070	1
U1, U2, U3, U4, U5, U6, U7, U8, U9, U10, U11, U12, U13, U14, U15, U16, U17, U18, U19, U20, U21, U22, U23, U24, U25, U26, U27, U28, U29, U30	100P	36-0070	1
S1, S2, S3, S4, S5, S6, S7, S8, S9, S10, S11, S12, S13, S14, S15, S16, S17, S18, S19, S20, S21, S22, S23, S24, S25, S26, S27, S28, S29, S30	100P	36-0070	1
SW1, SW2, SW3, SW4, SW5, SW6, SW7, SW8, SW9, SW10, SW11, SW12, SW13, SW14, SW15, SW16, SW17, SW18, SW19, SW20, SW21, SW22, SW23, SW24, SW25, SW26, SW27, SW28, SW29, SW30	100P	36-0070	1

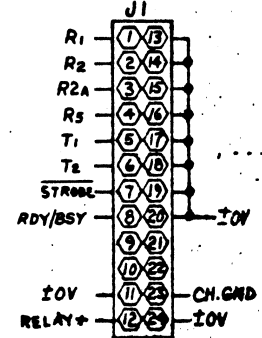
WANG PART NO.	ITEM	QTY	NAME	MATERIAL	DESCRIPTION
210-6362-3			WANG		
DATE	BY	DATE	APPROVED BY	DATE	
1964	J. J. WANG	1964	J. J. WANG	1964	
TITLE		210-6362-3 E 6362-14			



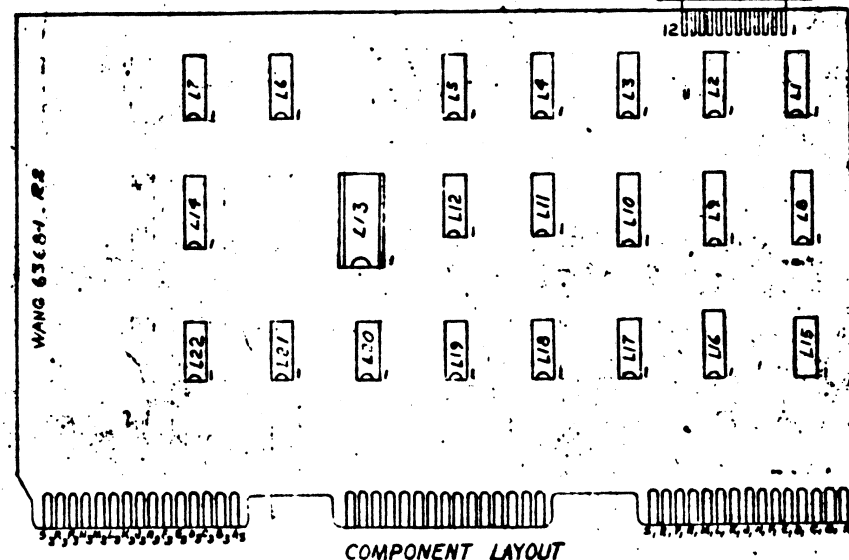
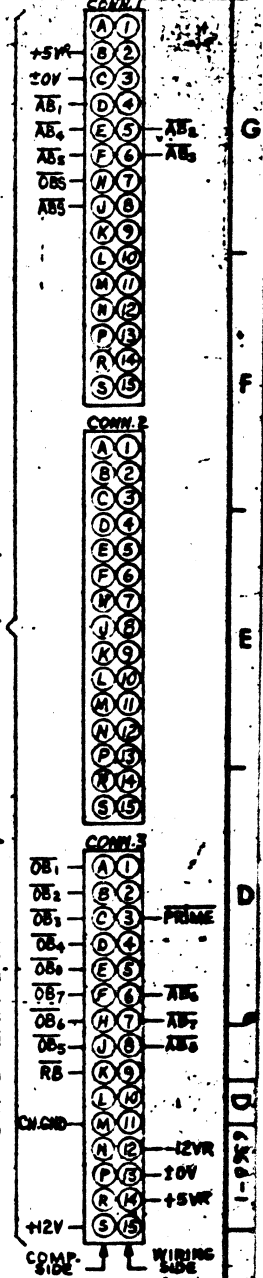


LOCATION	TYPE	W.L. PART NO.	TECH. NO. (Vcc +5V)	TERMINAL (20V)	QTY
L2,3,4,5,12	SN7400N	376-0002	14	7	5
L7	SN7406N	376-0055	14	7	1
L8,9,10	9602	376-0104	16	8	3
L6	9935	376-0025	14	7	1
L19	SN7474N	376-0006	14	7	1
L11	SN7410N	376-0003	14	7	1
L20	SN7403N	376-0028	14	7	1
L21,22	SN7407N	376-0056	14	7	2
L1,14,18	SN7404N	376-0010	14	7	3
L15,17	SN74LS266	376-0148	14	7	2
L13	EA.4274	377-0141			1

COMPONENT	SIZE/TYPE	W.L. PART NO.	QTY
L16	8 BANK ROCKER SW.	325-1503	1
R10-15,28	180Ω 1/4W	330-2018	7
R16-21,29,34	220Ω 1/4W	330-2022	8
R22	20K 1/4W	330-4008	1
R23,35-42,44	4.7K 1/4W	330-3047	11
R1-8	6.8K 1/4W	330-3068	8
R26	390Ω 1/4W	330-2039	1
R45-45	2.2K 1/4W	330-3022	11
R9,43,33	1K 1/4W	330-3010	3
R32	15K 1/4W	330-4015	1
R23-25,31	12K 1/4W	330-4012	4
C1-6,9	.1μF, 10V	300-1901	7
C19-22	15μF, 20V TANT	300-4022	4
C7	.700pF	300-1470	1
C16-18	.01μF, 25V	300-1903	3
8 BANK (L16)	ROCKER SW. CAP	325-9047	1
C8,23	1000pF, 50V, 5% MICA	300-5006	2
D	SIL. DIODE	380-1001	11
CONNECTOR	57-40240	350-1025	1
I.C. SOCKET	24 PIN	376-9003	1
C10-13	470pF, 50V, 5% MICA	300-5005	4
C14	220pF	300-5004	1



SIGNAL-TERMINAL DESIGNATIONS, VIEW FROM BOTTOM (WIRING) SIDE OF CONNECTOR



COPY
JUL 05 1978

WANG LABORATORIES INC.
TELETYPE, BUREAU

MODEL NO. DRAWN BY: P-30-73
CHECKED BY: [Signature]
DATE: [Date]

SCHEMATIC LOGIBLOC # 6368-1
OUTPUT WRITER

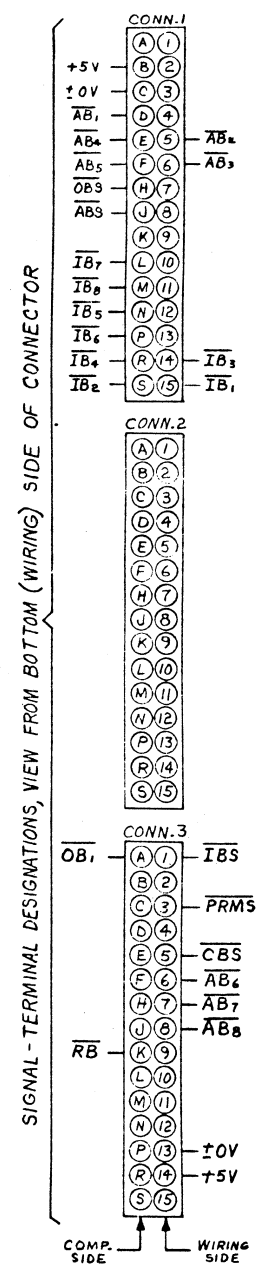
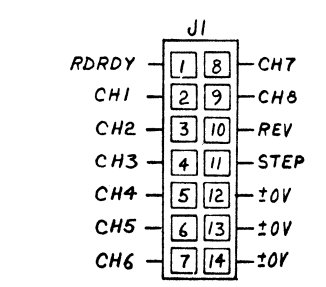
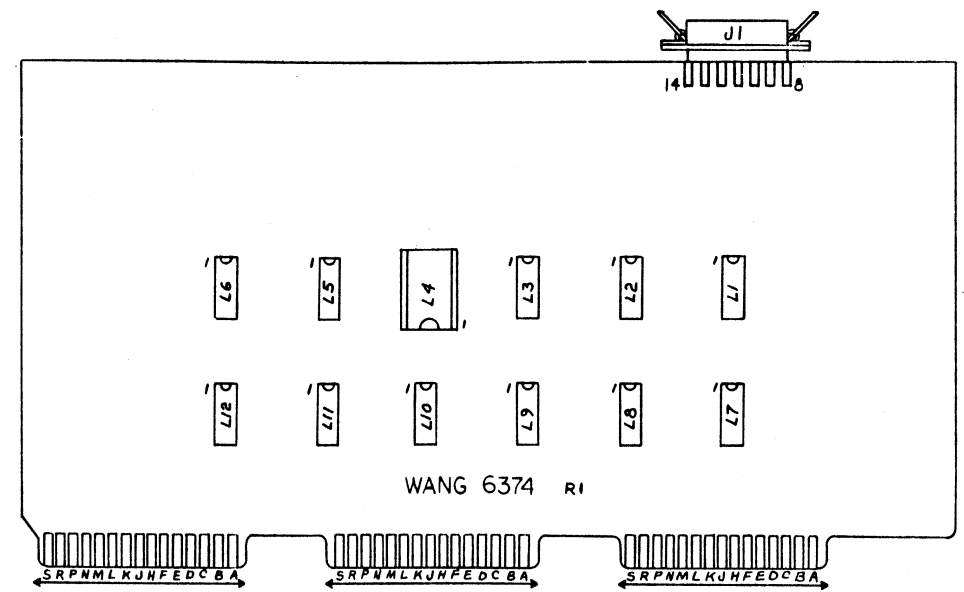
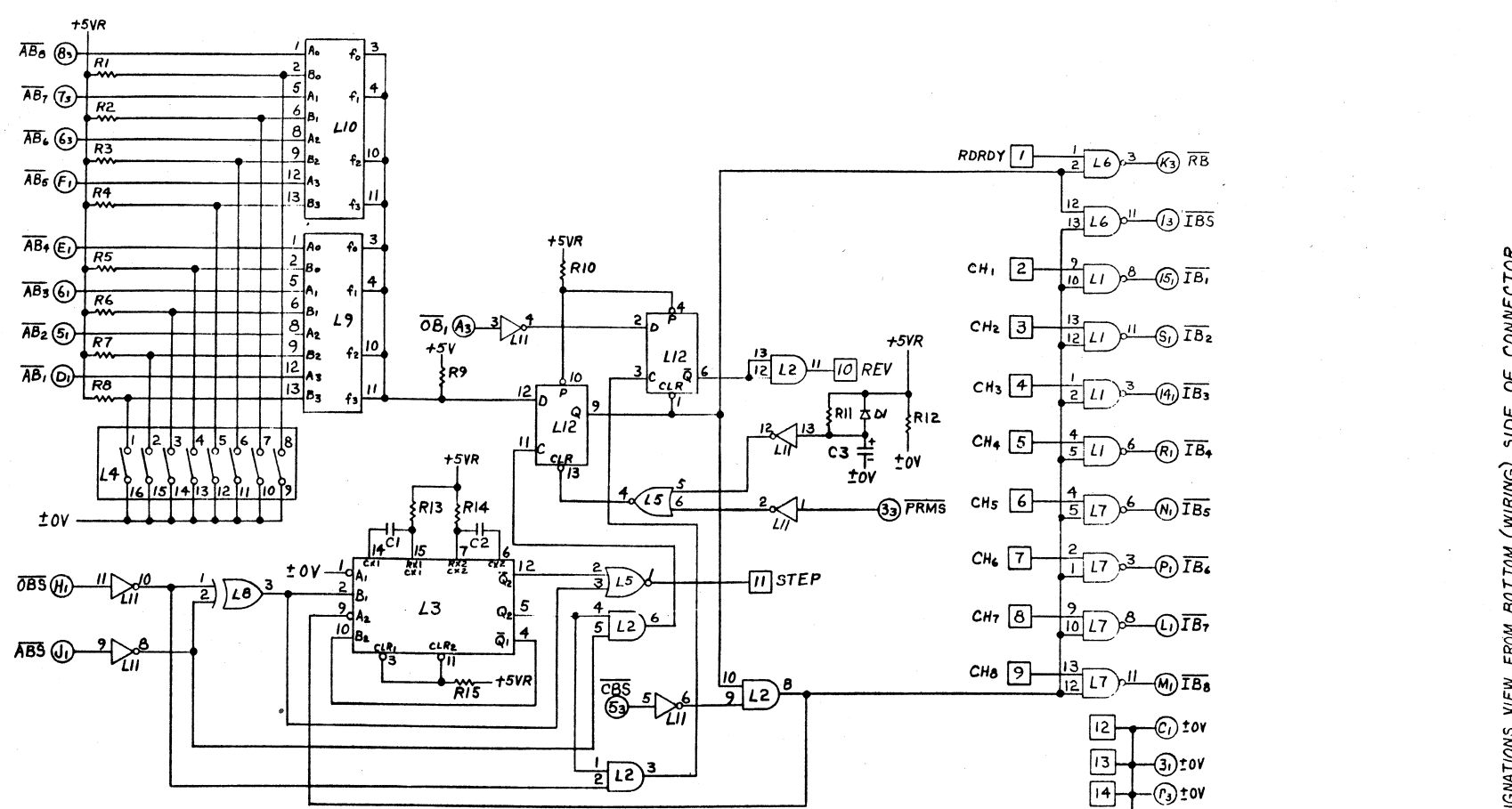
7 8 D. 6368-1

11 10 9 8 7 6 5 4 3 2 1

G
F
E
D
C
B
A

COMPONENT	SIZE/TYPE	WL. PART NO.	QTY
R1-8,10,11,15	4.7K 1/4W	330-3047	11
R9	1.5K 1/4W	330-3015	1
R12	180Ω 1/4W	330-2018	1
R13,14	10K 1/4W	330-4010	2
C1,2	220pF CER.	300-1220	2
C3	8.2μF 20V TANT.	300-4028	1
C4-9	.05μF 20V TANT.	300-1900	6
C10,11	15μF 20V TANT.	300-4022	2
ROCKER SW COVER	8 BANK ROCKER SW CAP	325-9047	1
D1	SIL. DIODE	380-1001	1
J1	CONN. 14 PIN CH	350-1024	1

LOCATION	TYPE	WL. PART NO.	TERM. NO. 50V	TERM. NO. 16L+5V	QTY.
L1,6,7	SN7403N	376-0028	7	14	3
L2	SN7408N	376-0081	7	14	1
L3	SN74123N	376-0080	8	16	1
L4	8 BANK ROCKER SW	325-1503			1
L5	SN7402N	376-0016	7	14	1
L8	SN7486N	376-0036	7	14	1
L9,10	SN745L266	376-0148	7	14	2
L11	SN7414N	376-0139	7	14	1
L12	SN7474N	376-0006	7	14	1



REV.	REV. BY	REV. DATE
1	REV. BY EN 3742	1-4-74
2	APP'D: J.H.F.	

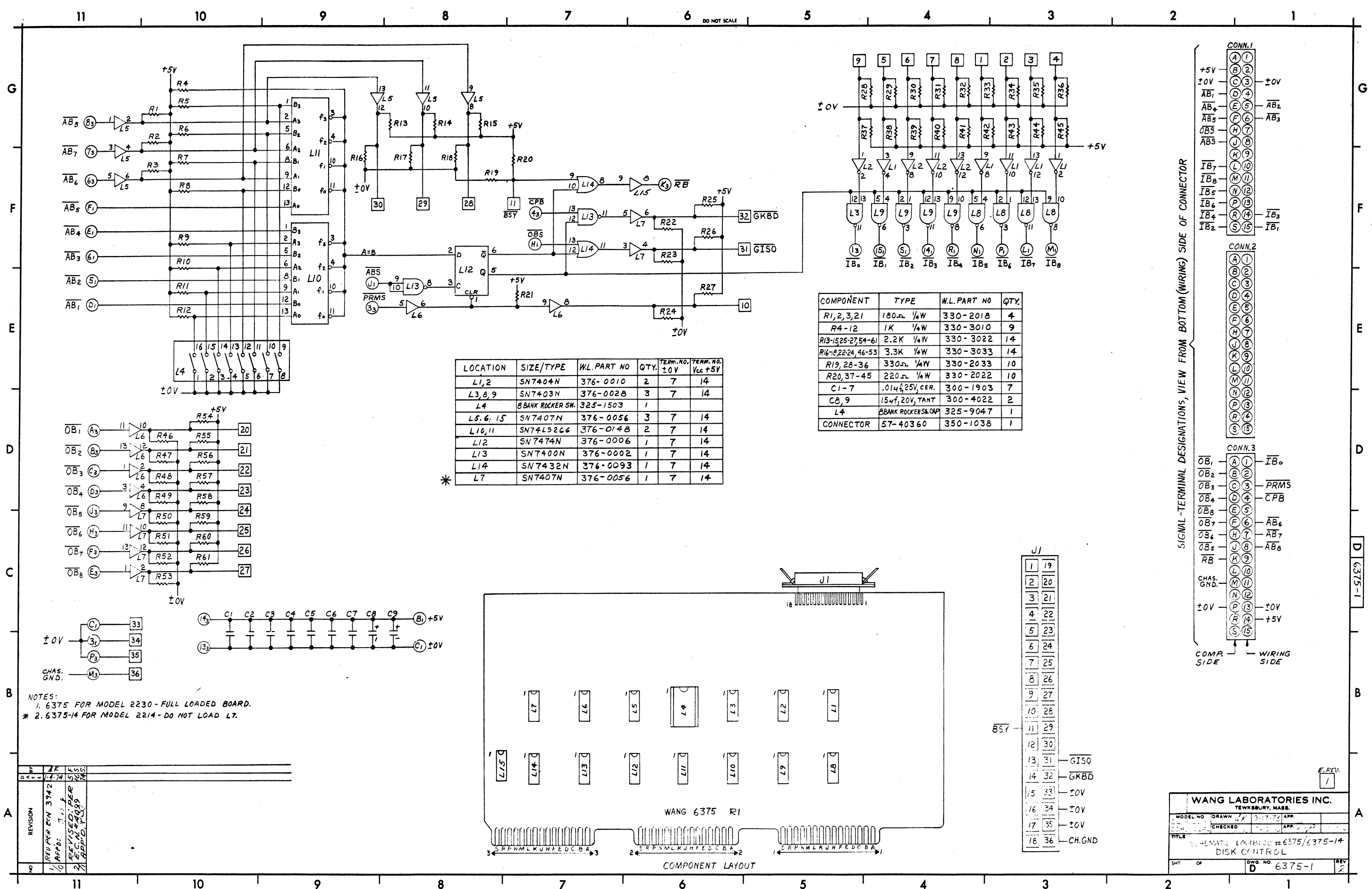
WANG LABORATORIES INC.
TEWKSBURY, MASS.

MODEL NO. 2203	DRAWN BY EN 9-19-73	APP. 10-3-73
CHECKED BY BOW	APP. 3-0-74	

TITLE: SCHEMATIC LOGIBLOC # 6374
HIGH SPEED PAPER TAPE READER

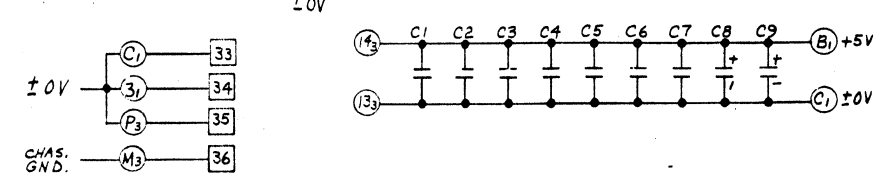
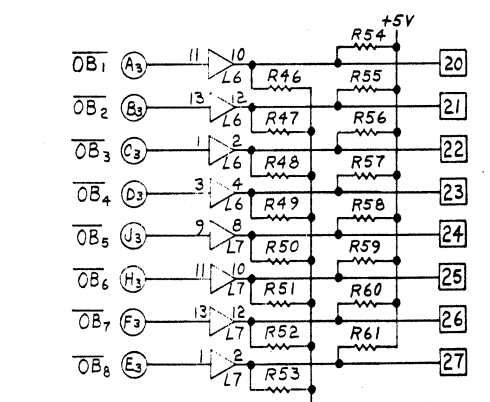
SHT. OF 1 Dwg. No. D 6374-1

11 10 9 8 7 6 5 4 3 2 1



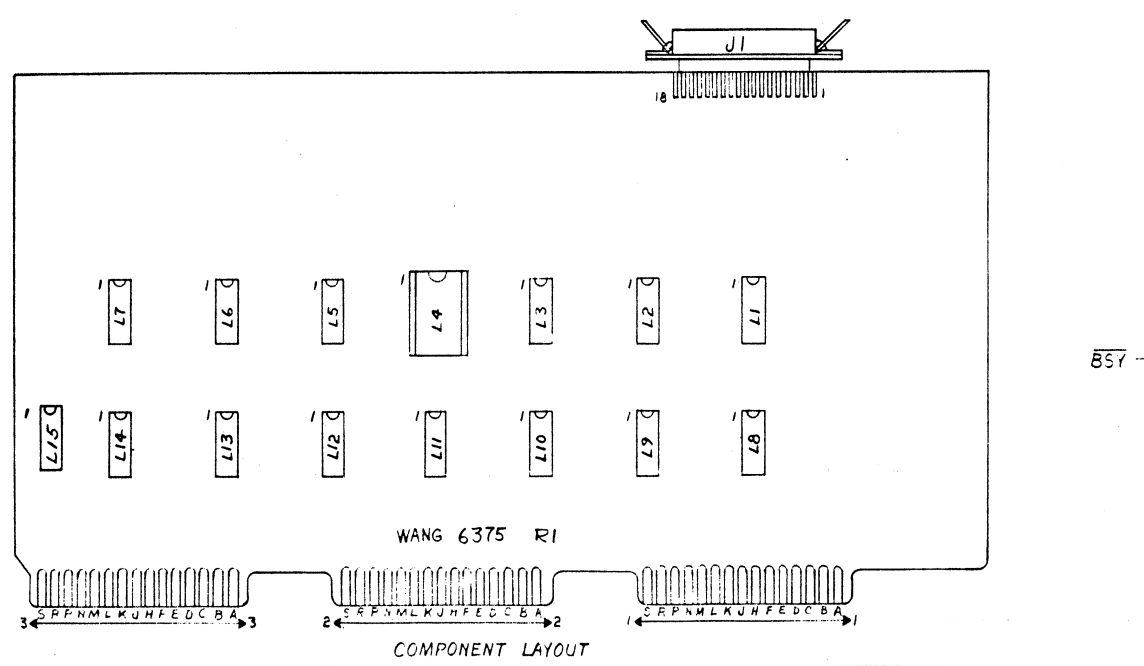
COMPONENT	TYPE	WL. PART NO	QTY.
R1,2,3,21	180Ω 1/4W	330-2018	4
R4-12	1K 1/4W	330-3010	9
R13-15,25-27,54-61	2.2K 1/4W	330-3022	14
R16-18,22-24,46-53	3.3K 1/4W	330-3033	14
R19,28-36	330Ω 1/4W	330-2033	10
R20,37-45	220Ω 1/4W	330-2022	10
C1-7	.014μF 25V CER.	300-1903	7
C8,9	15μF 20V TANT	300-4022	2
L4	BBANK ROCKER SW.	325-9047	1
CONNECTOR	57-40360	350-1038	1

LOCATION	SIZE/TYPER	WL. PART NO	QTY.	TERM. NO. ±0V	TERM. NO. Vcc +5V
L1,2	SN7404N	376-0010	2	7	14
L3,8,9	SN7403N	376-0028	3	7	14
L4	BBANK ROCKER SW.	325-1503	1		
L5,6,15	SN7407N	376-0056	3	7	14
L10,11	SN74LS22G	376-0148	2	7	14
L12	SN7474N	376-0006	1	7	14
L13	SN7400N	376-0002	1	7	14
L14	SN7432N	376-0093	1	7	14
L7	SN7407N	376-0056	1	7	14

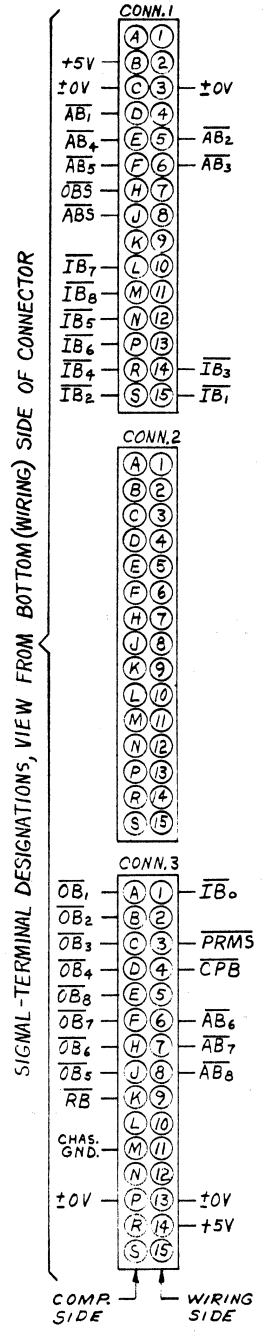


NOTES:
 1. 6375 FOR MODEL 2230 - FULL LOADED BOARD.
 * 2. 6375-14 FOR MODEL 2214 - DO NOT LOAD L7.

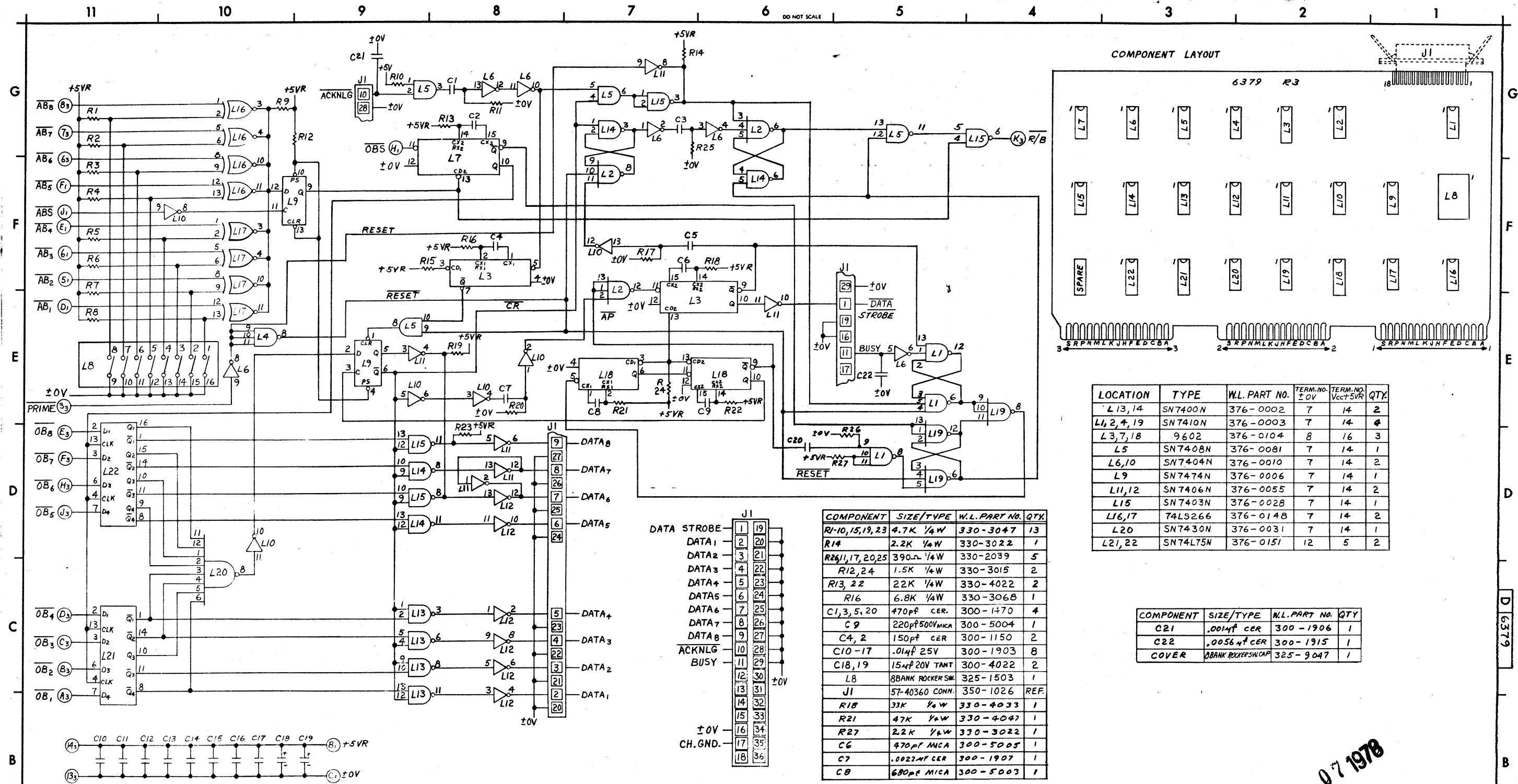
REVISION	BY	DATE	DESCRIPTION
1	REU	12/24/72	REVISED PER ECN 3942
2	REU	1/11/73	REVISED PER ECN 4099
3	REU	1/11/73	REVISED PER ECN 4100



J1	TERM. NO.	TERM. NO.
1	19	
2	20	
3	21	
4	22	
5	23	
6	24	
7	25	
8	26	
9	27	
10	28	
11	29	
12	30	
13	31	GISO
14	32	GKBD
15	33	±0V
16	34	±0V
17	35	±0V
18	36	CH.GND



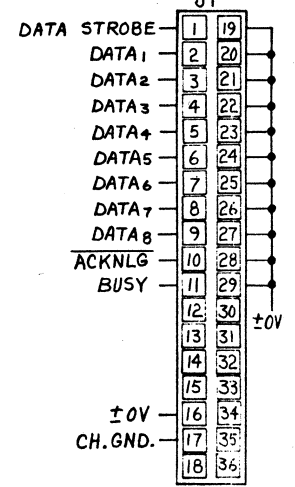
WANG LABORATORIES INC.
 TEWKSBURY, MASS.
 MODEL NO. DRAWN BY 3-7-72 APP. DATE 1-11-73
 CHECKED BY DATE APP. DATE
 TITLE: SCHEMATIC FOR BOARD # 6375/6375-14 DISK CONTROL
 SHT. OF 1 DWG. NO. 6375-1 REV. 2



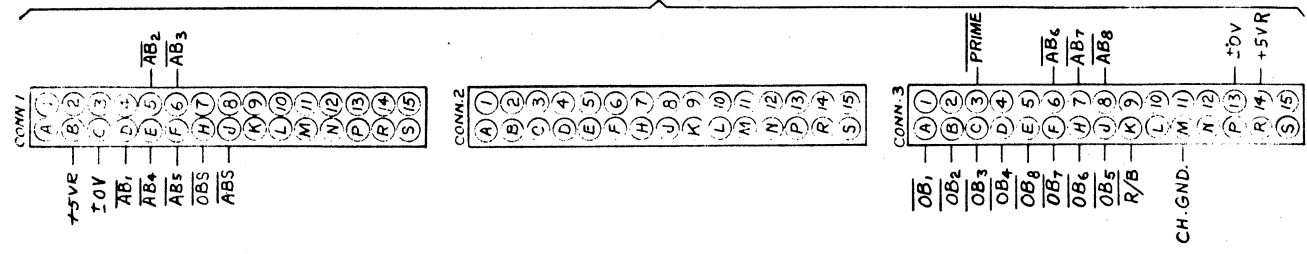
LOCATION	TYPE	W.L. PART NO.	TERM. NO. ±0V	TERM. NO. Vcc+5VR	QTY
L13,14	SN7400N	376-0002	7	14	2
L1,2,4,19	SN7410N	376-0003	7	14	4
L3,7,18	9602	376-0104	8	16	3
L5	SN7408N	376-0081	7	14	1
L6,10	SN7404N	376-0010	7	14	2
L9	SN7474N	376-0006	7	14	1
L11,12	SN7406N	376-0055	7	14	2
L15	SN7403N	376-0028	7	14	1
L16,17	74LS266	376-0148	7	14	2
L20	SN7430N	376-0031	7	14	1
L21,22	SN74L75N	376-0151	12	5	2

COMPONENT	SIZE/TYPE	W.L. PART NO.	QTY
R1-10,15,19,23	4.7K 1/4W	330-3047	13
R14	2.2K 1/4W	330-3022	1
R26,11,17,20,25	390Ω 1/4W	330-2039	5
R12,24	1.5K 1/4W	330-3015	2
R13,22	22K 1/4W	330-4022	2
R16	6.8K 1/4W	330-3068	1
C1,3,5,20	470pF CER.	300-1470	4
C9	220pF 500V MICA	300-5004	1
C4,17	150pF CER	300-1150	2
C10-12	.01μF 25V	300-1903	8
C18,19	15μF 20V TANT	300-4022	2
L8	8BANK ROCKER SW.	325-1503	1
J1	57-40360 CONN.	350-1026	REF.
R18	33K 1/4W	330-4033	1
R21	47K 1/4W	330-4047	1
R27	2.2K 1/4W	330-3022	1
C6	470pF MICA	300-5005	1
C7	.0022μF CER	300-1907	1
C8	680pF MICA	300-5003	1

COMPONENT	SIZE/TYPE	W.L. PART NO.	QTY
C21	.001μF CER	300-1906	1
C22	.0056μF CER	300-1915	1
COVER	8BANK ROCKER SW CAP	325-9047	1



SIGNAL-TERMINAL DESIGNATIONS, VIEW FROM BOTTOM (WIRING) SIDE OF CONNECTOR



REVISION	DATE	BY	CHK	APP	DESCRIPTION
1	10-1-73	WJ	WJ		REVISED PER 1/3342 TO 74LS266
2	10-1-73	WJ	WJ		REVISED PER 1/3342 TO 74LS266
3	10-1-73	WJ	WJ		REVISED PER 1/3342 TO 74LS266
4	10-1-73	WJ	WJ		REVISED PER 1/3342 TO 74LS266
5	10-1-73	WJ	WJ		REVISED PER 1/3342 TO 74LS266
6	10-1-73	WJ	WJ		REVISED PER 1/3342 TO 74LS266
7	10-1-73	WJ	WJ		REVISED PER 1/3342 TO 74LS266
8	10-1-73	WJ	WJ		REVISED PER 1/3342 TO 74LS266
9	10-1-73	WJ	WJ		REVISED PER 1/3342 TO 74LS266
10	10-1-73	WJ	WJ		REVISED PER 1/3342 TO 74LS266
11	10-1-73	WJ	WJ		REVISED PER 1/3342 TO 74LS266

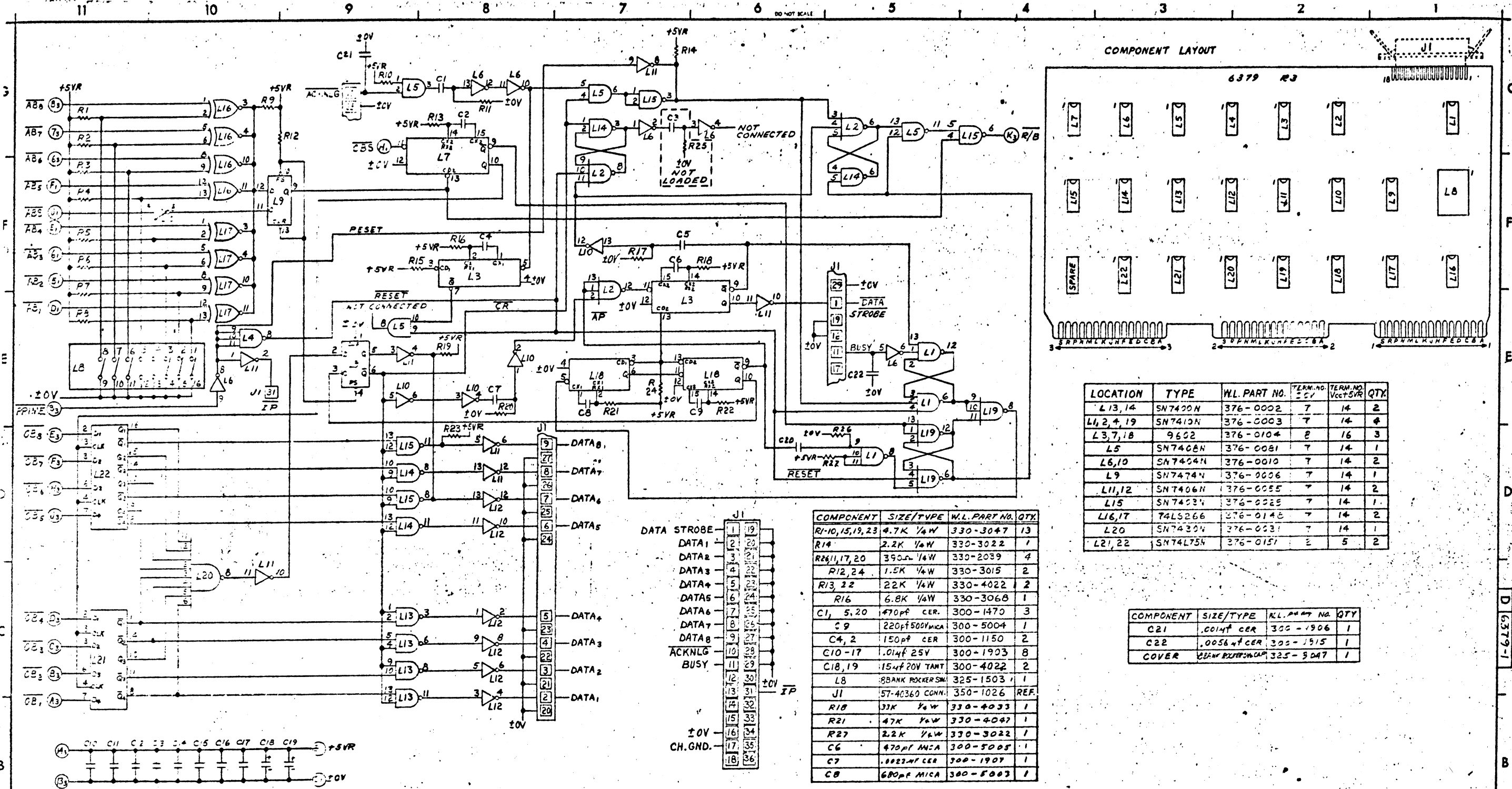
JUL 07 1978

WANG LABORATORIES INC.
TEWKSBURY, MASS.

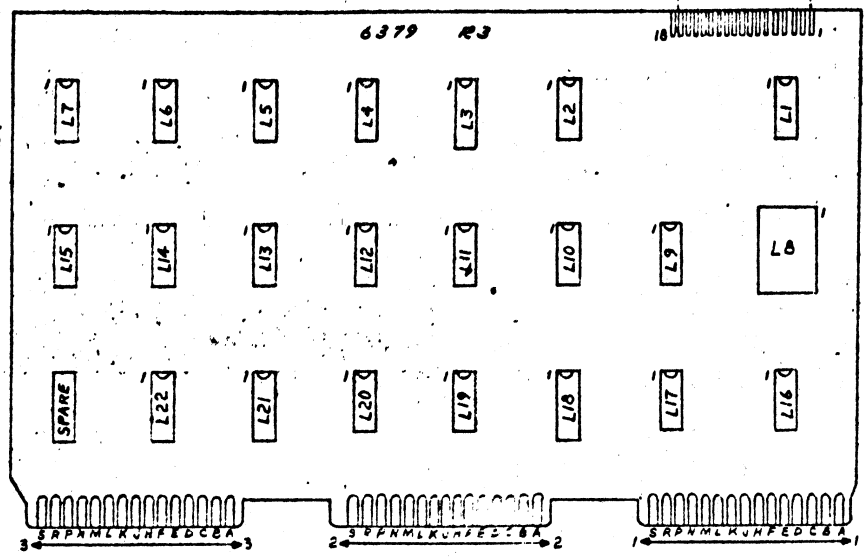
MODEL NO. 325-9047
DRAWN BY WJ
CHECKED BY WJ
DATE 10-1-73

FILE SCHEMATIC LOG-BLOC FOR HIGH SPEED LINE PRINTER

SHT 4 OF 7
Dwg. No. D 6379



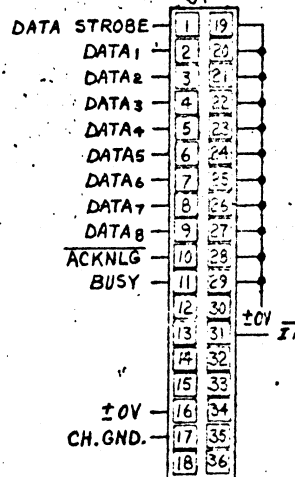
COMPONENT LAYOUT



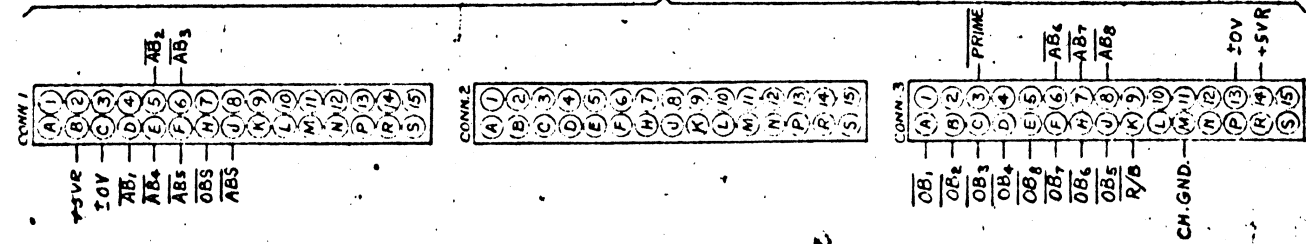
LOCATION	TYPE	WL. PART NO.	TERM. NO. = CV	TERM. NO. Vcc/+5VR	QTY
L13,14	SN7400N	376-0002	7	14	2
L1,2,4,19	SN7410N	376-0003	7	14	4
L3,7,18	9602	376-0104	8	16	3
L5	SN7408N	376-0081	7	14	1
L6,10	SN7404N	376-0010	7	14	2
L9	SN7474N	376-0006	7	14	1
L11,12	SN7406N	376-0055	7	14	2
L15	SN7403N	376-0022	7	14	1
L16,17	74LS266	376-0143	7	14	2
L20	SN7430N	376-0031	7	14	1
L21,22	SN74LS54	376-0151	2	5	2

COMPONENT	SIZE/TYPE	WL. PART NO.	QTY
C21	.001M CER	300-1906	1
C22	.005M CER	300-1515	1
COVER	8BANK POKER SW	325-5047	1

COMPONENT	SIZE/TYPE	WL. PART NO.	QTY
R1-10,15,19,23	4.7K 1/4W	330-3047	13
R14	2.2K 1/4W	330-3022	1
R26,11,17,20	390Ω 1/4W	330-2039	4
R12,24	1.5K 1/4W	330-3015	2
R13,22	22K 1/4W	330-4022	2
R16	6.8K 1/4W	330-3068	1
C1, 5,20	470pF CER.	300-1470	3
C9	220pF 500V MICA	300-5004	1
C4,2	150pF CER	300-1150	2
C10-17	.01M 25V	300-1903	8
C18,19	15M 20V TANT	300-4022	2
L8	8BANK POKER SW	325-1503	1
J1	57-40360 CONN.	350-1026	REF.
R18	33K 1/4W	330-4033	1
R21	47K 1/4W	330-4047	1
R27	2.2K 1/4W	330-3022	1
C6	470pF MICA	300-5005	1
C7	.002M CER	300-1907	1
C8	680pF MICA	300-5003	1

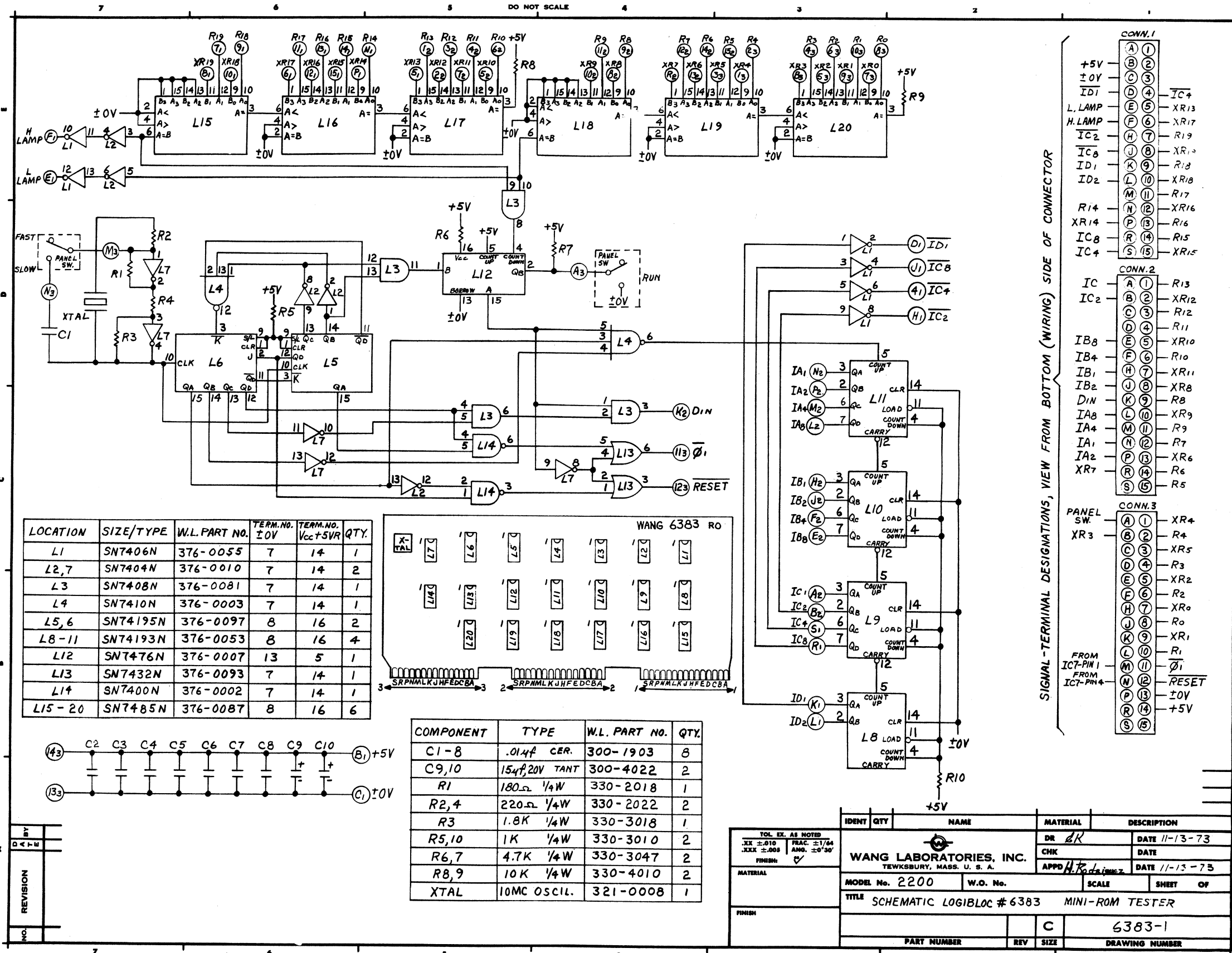


SIGNAL-TERMINAL DESIGNATIONS, VIEW FROM BOTTOM (WIRING) SIDE OF CONNECTOR

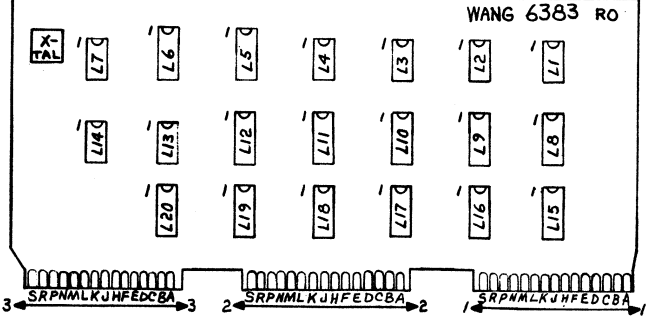


REVISION	DATE	BY	CHKD.
1	11-11-67	W.A.K.	
2	12-11-67	W.A.K.	
3	1-11-68	W.A.K.	

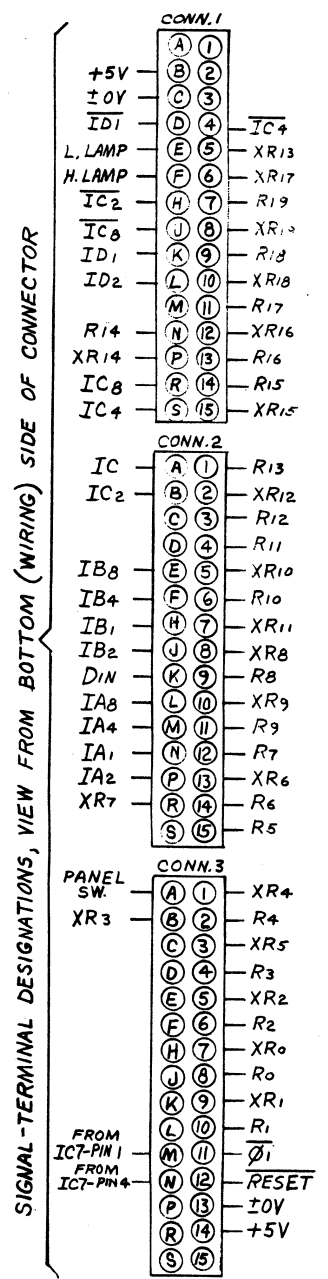
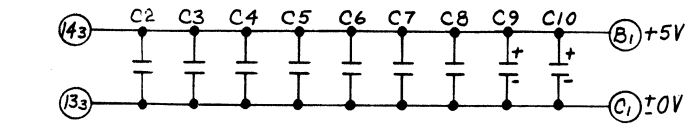
WANG LABORATORIES INC.
 NEWTON, MASS.
 MODEL NO. DRAWN 7-21-77 APP
 221W REVISED
 SCHEMATIC LOGIBLOC FOR HIGH SPEED LINE PRINTER
 WF 7 OF 7 DATE NO. D 6379-1 REV. 1



LOCATION	SIZE/TYPE	W.L. PART NO.	TERM. NO. ±0V	TERM. NO. Vcc+5V	QTY.
L1	SN7406N	376-0055	7	14	1
L2,7	SN7404N	376-0010	7	14	2
L3	SN7408N	376-0081	7	14	1
L4	SN7410N	376-0003	7	14	1
L5,6	SN74195N	376-0097	8	16	2
L8-11	SN74193N	376-0053	8	16	4
L12	SN7476N	376-0007	13	5	1
L13	SN7432N	376-0093	7	14	1
L14	SN7400N	376-0002	7	14	1
L15-20	SN7485N	376-0087	8	16	6



COMPONENT	TYPE	W.L. PART NO.	QTY.
C1-8	.014f CER.	300-1903	8
C9,10	154f, 20V TANT	300-4022	2
R1	180Ω 1/4W	330-2018	1
R2,4	220Ω 1/4W	330-2022	2
R3	1.8K 1/4W	330-3018	1
R5,10	1K 1/4W	330-3010	2
R6,7	4.7K 1/4W	330-3047	2
R8,9	10K 1/4W	330-4010	2
XTAL	10MC OSCIL.	321-0008	1



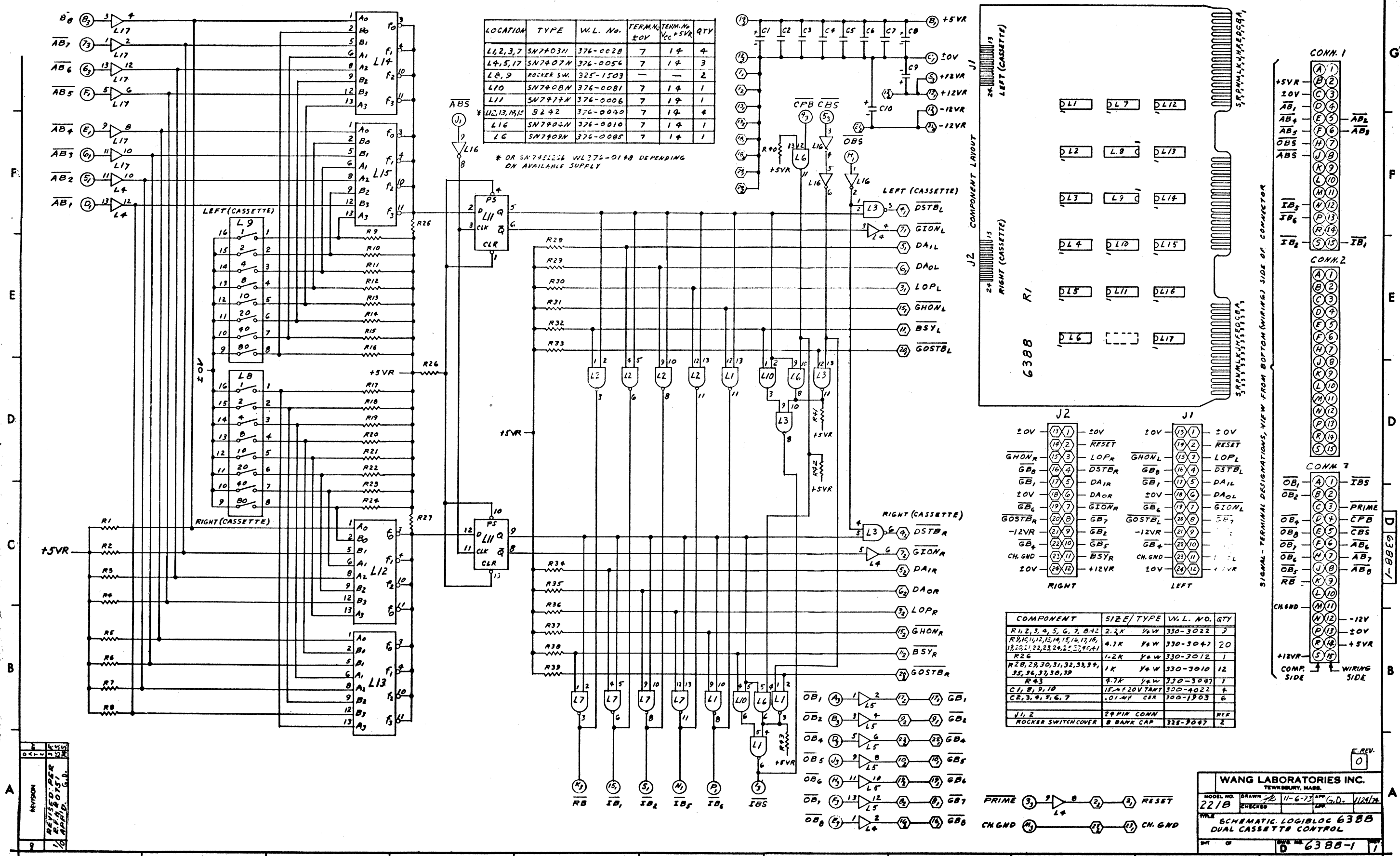
IDENT	QTY	NAME	MATERIAL	DESCRIPTION
 WANG LABORATORIES, INC. TEWKSBURY, MASS. U. S. A.				
MODEL No. 2200		W.O. No.	SCALE	SHEET OF
TITLE SCHEMATIC LOGIBLOC # 6383 MINI-ROM TESTER				
PART NUMBER		REV	SIZE	DRAWING NUMBER

TOL. EX. AS NOTED
 XX ±.010 FRACTION ±1/64
 XXX ±.005 ANG. ±0°30'
 FINISH: ✓

DR: KR
 CHK: APPD: H. P. Ramirez
 DATE: 11-13-73

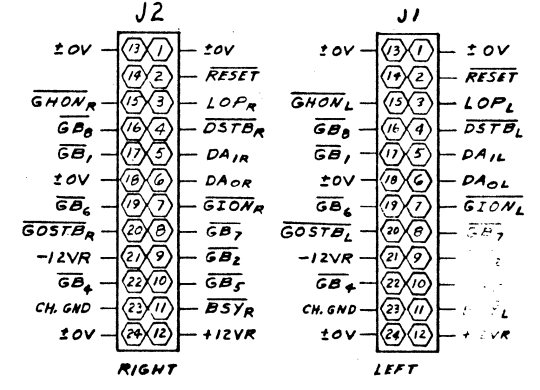
DATE: 11-13-73

REVISION: C
 DRAWING NUMBER: 6383-1



LOCATION	TYPE	W.L. No.	TERM. No.	TERMIN. No.	QTY
L1,2,3,7	SN7403N	376-0028	7	14	4
L4,5,17	SN7407N	376-0056	7	14	3
L8,9	ROCKER SW.	325-1503	-	-	2
L10	SN7408N	376-0081	7	14	1
L11	SN7474N	376-0006	7	14	1
L12,13,15,16	5242	376-0040	7	14	4
L16	SN7404N	376-0010	7	14	1
L6	SN7409N	376-0085	7	14	1

* OR SN740226 VIL375-0148 DEPENDING ON AVAILABLE SUPPLY



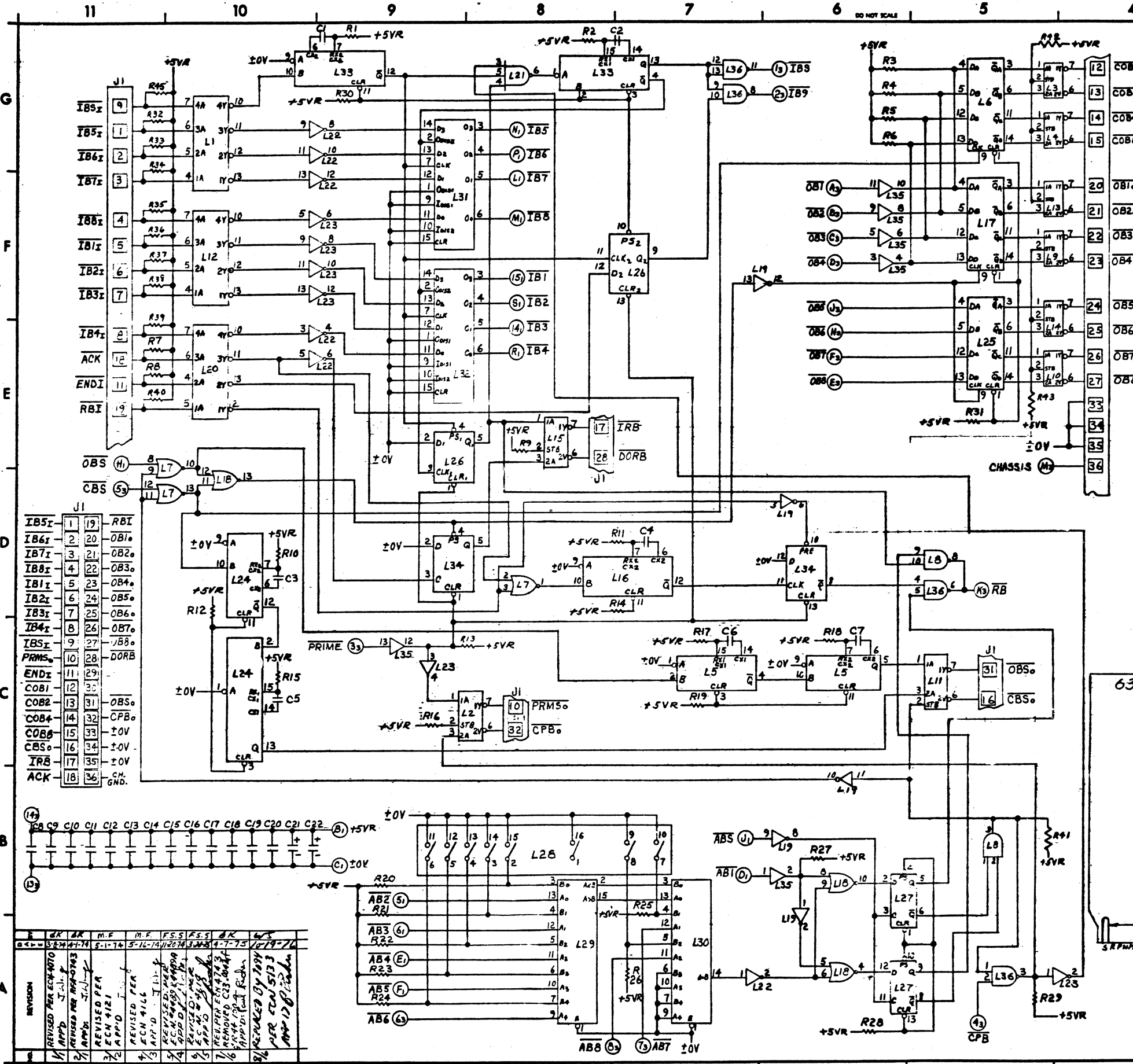
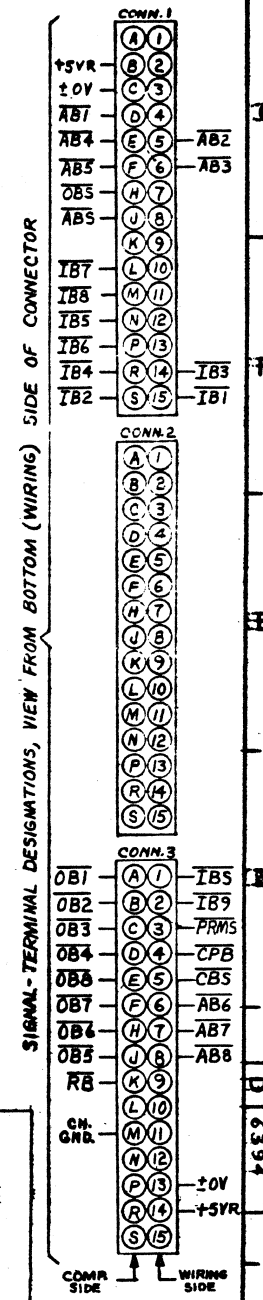
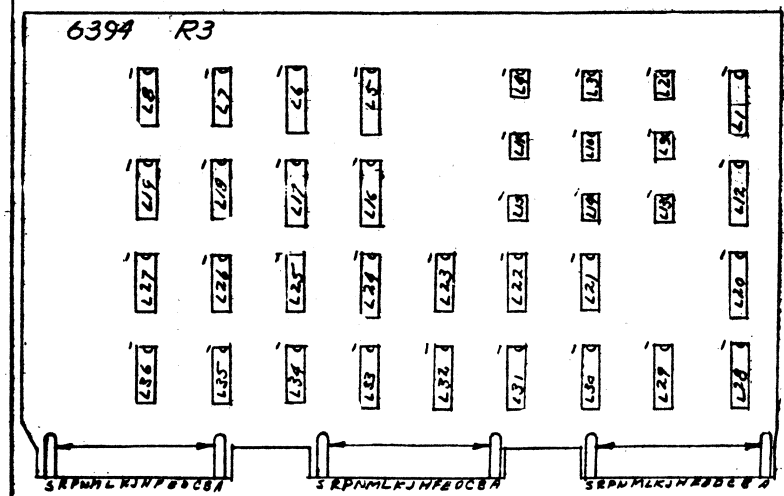
COMPONENT	SIZE/TYPE	W.L. NO.	QTY
R1,2,3,4,5,6,7,8,12	2.2K 1/4W	330-3022	3
R9,10,11,12,13,14,15,16,17,18,19,20,21,22,23,24,25,27,40,41	4.7K 1/4W	330-3047	20
R26	1.2K 1/4W	330-3012	1
R28,29,30,31,32,33,34,35,36,37,38,39	1K 1/4W	330-3010	12
R43	4.7K 1/4W	330-3047	1
C1,8,9,10	15A F20V TANT	300-4022	4
C2,3,4,5,6,7	.01MFD CER	300-1903	6
J1,2	28 PIN CONN		REF
	ROCKER SWITCH COVER	325-3047	2

WANG LABORATORIES INC.
 MODEL NO. 221B
 SCHEMATIC LOGIBLOC 6388
 DUAL CASSETTE CONTROL
 DATE 11-6-73
 DRAWN BY G.D. VIM/ML
 CHECKED BY JIM
 REV. 0

REV.	DATE	BY	CHKD.
1	11-6-73	G.D.	VIM/ML

LOCATION	TYPE	W.L. PART NO.	TERM. NO. 20V	TERM. NO. Vcc+5V	QTY
L1,12,20	SN75154N	376-0077	8	15,16	3
L2-4,9-11,13-15	SN75360N	-0118	4	5,8	9
L5,16,24,33	SN74123N	-0080	6	16	4
L6,17,25	SN74175N	-0119	8	16	3
L7,18	SN7402N	-0016	7	14	2
L19,22,23	SN7404N	-0010	7	14	3
L21	SN7410N	-0003	7	14	1
L26,27,34	SN7474N	-0006	7	14	3
L28	8BANK RCR.SW.	325-1503			1
L29,30	93L24	376-0120	8	16	2
L31,32	8T10	-0137	8	16	2
L35	SN7407N	-0056	7	14	1
L8,36	SN7403N	376-0028	7	14	2

COMPONENT	SIZE/TYPER	W.L. PART NO.	QTY.
R1	15K 1/4W	330-4015	1
R2,15,18	33K 1/4W	-4033	3
R3-6,12,16	2.2K 1/4W	-3022	9
R7,8,29,32-44,5	1K 1/4W	-3010	14
R10,11,17	22K 1/4W	-4022	3
R13,28	1.2K 1/4W	-3012	2
R14,20-26	4.7K 1/4W	-3047	8
R30,31	1.5K 1/4W	330-3015	2
C1,3,6	47pF CER	300-1047	3
C2,5,7	470pF 500Vmc	300-5005	3
C4	22pF CER	300-1022	1
C8-20	.014 25V CER	300-1903	13
C21,22	154 20V TANT	300-4022	2
J1 CONN.	57-40360	350-1038	1
R42,43	470K 1/4W	330-2047	2
L28	SW COVER	325-9047	1
R45	1K 1/4W	330-3010	1



REVISION	BY	DATE	DESCRIPTION
1	APPD	1-1-73	REVISED PER ECH 4010
2	APPD	1-1-73	REVISED PER APP'D
3	APPD	1-1-73	REVISED PER ECH 4121
4	APPD	1-1-73	REVISED PER ECH 4116
5	APPD	1-1-73	REVISED PER ECH 4116
6	APPD	1-1-73	REVISED PER ECH 4116
7	APPD	1-1-73	REVISED PER ECH 4116
8	APPD	1-1-73	REVISED PER ECH 4116
9	APPD	1-1-73	REVISED PER ECH 4116
10	APPD	1-1-73	REVISED PER ECH 4116

WANG LABORATORIES INC.
TECHNICAL DEPARTMENT
MODEL NO. 2250
DRAWN BY: [Signature]
DATE: 12-25-73
SCHEMATIC LOGIBLOC # 6394
INPUT/OUTPUT INTERFACE
SHEET 4 OF 6
D 6394

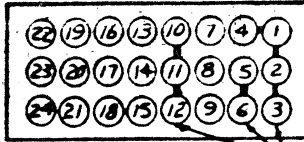
THIS DOCUMENT IS THE PROPERTY OF WANG LABORATORIES, INC AND SHALL NOT BE REPRODUCED OR COPIED OR USED AS A BASIS FOR THE MANUFACTURE OR SALE OF APPARATUS OR SERVICES WITHOUT PERMISSION.

NOTES:

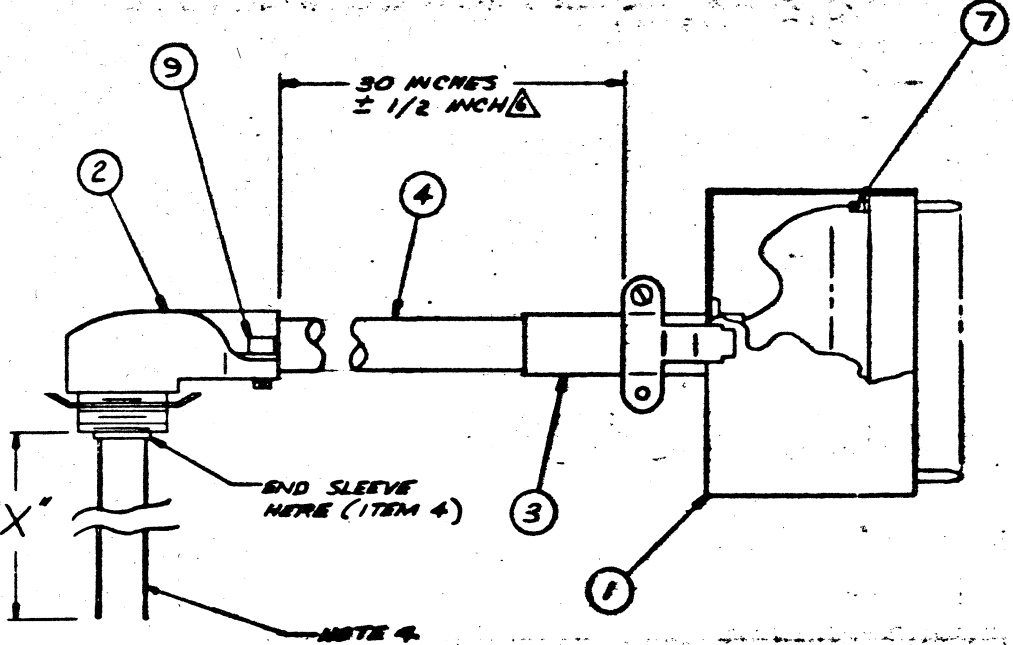
- 1) ASSEMBLE SHELL OF ITEM 1 AND ASSEMBLE ITEM 3 BEFORE SOLDERING WIRES IN PLACE.
- 2) JUMP PINS 1, 2, 3, & 4 USING 1 PASS ITEM 12
JUMP PINS 5 AND 6 USING 1 PASS ITEM 12
JUMP PINS 10, 11, & 12 USING 1 PASS ITEM 12
- 3) WIRE CONNECTOR PER CHART.
- 4) SLEEVE ITEM 14 WITH ITEM 10 ADD TO HARNESS PRIOR TO TY RAPPING.
- 5) STRIP WIRES BACK 1/4 INCH AND TIN 1/8 INCH ALL WIRES EXCEPT AS NOTED.
- 6) CRIMP ITEM 13 TO GRN/YEL WIRE 2 PLACES WERE SHOWN ON SHEET 2.

HOLE LEGEND		
	HOLE DIA	TOL
DRILLED OR PUNCHED HOLE	.015 to .125	±.002
	.126 to .250	±.004
	.251 to .500	±.008
IDENT DESCRIPTION QTY		
A		

CONNECTOR (WIRING SIDE)



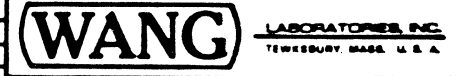
220-0100-1	220-0100							
CONN. PIN NO.	CONN. PIN NO.	GAUGE	COLOR	LENGTH DIM. "X"	AC. 6322 PIN NO.	SIGNAL NAME	WANG LABS PART NO.	
1	1	16	RED	11 1/2"	1	+5VRL	600-7002	
2	2	16	RED	12"	2	+5VRL	600-7002	
3	3	16	RED	12 1/4"	3	+5VRL	600-7002	
4	4				4			
5	5				5			
6	6	16	ORN	8"	6	+5VRM	600-7003	
7	7	18	WHT/YEL	13"	7	+8.5VU	600-0094	
8	8	18	WHT/VIO	13 3/4"	8	-17 VU	600-0097	
9	9	18	WHT/BRN	13 3/4"	9	+17.5VU	600-0091	
10	10	16	BLK	8 1/2"	10	±OV	600-7000	
11	11	16	BLK	9 1/2"	12	±OV	600-7000	
12	12	16	BLK	10 1/4"	18	±OV	600-7000	
13	13	18	WHT/BLK	15 1/2"	13	115VAC	600-0090	
14	14	18	GRN/YEL	23"	15	CHAR GND	600-0054	
15	15	18	WHT	16 3/4"	14	AC NEUT.	600-0009	
16	16	24	WHT/GRN	18 3/4"	9, (6311)	PNC	600-2095	
17	17	24	WHT/YEL	18 3/4"	10, (6311)	PNO	600-2094	
18	18							
19	19	24	WHT/ORN	18 3/4"	14, (6311)	WTR	600-2093	
20	20							
21	21	18	BLU	7"	21	+12VR	600-0006	
22	22	18	BRN	7"	22	+8VR	600-0001	
23	23	18	WHT/BLU	7"	23	-12VR	600-0096	
24	24	18	GRY	7 1/2"	24	-15VR	600-0008	



* WIRES #13 AND #15 (115 VAC AND AC NEUT.) ARE TO BE TWISTED PAIR AND SLEEVED WITH ITEM 10.

WANG PART NO	ITEM	QTY	NAME	MATERIAL	DESCRIPTION
420-1005	14	1	FAN CORD		14 INCHES LONG
684-0050	13	2	RING TONGUE TERM		#6 RED BURNDY
600-9018	12	.75'	BUSS WIRE		#18 GA TINNED
605-1004	11	9	CABLE TIE		TY-RAP
605-0015	10	2.5'	*3 CLEAR TUBING		
650-4125	9	2	SCR, SOC-CAP	#8-32 x 3/8	BLACK OXIDE FINISH
660-0200	7	A/R	SOLDER		60-40 ALLOY
605-0104	4	2875	SLEEVE (1/2" TUBING)		BLACK (3 1/2 INCHES)
350-4105	3	1	*5 BUSHING (CANNON)		18220-10
654-1237	2	1	90° CONNECTOR (STRAIN REL)		
350-2055	1	1	CONNECTOR (CINCH-JONES)		P-324-CCT

REVISION	BY	DATE	DESCRIPTION
1	REVISOR	9-18-73	REVISED PER RFA 40364 APP'D BUN
2	REV. PER RFA 0392	9-18-73	LET 9-18-73 (TY)
3	REV. PER RFA 3967	10-17-73	APP'D BUN 9-18-73
4	REV. PER RFA 0713	2-13-74	JRB 2-13-74
5	REVISED PER RFA 1480873	4-18-74	JRB 4-18-74
6	REVISED PER RFA 1480873	5-14-74	EV. TER LENS 4165 5/14/74 R. J. 74
7	REVISED PER RFA 1480873	11-12-74	REV. PER RFA 1480873 11-12-74 R. J. 74
8	REVISED PER RFA 1480873	2-23-77	REVISED PER RFA 1480873 2-23-77
9	REVISED PER RFA 1480873	1-4-78	REVISED PER RFA 1480873 1-4-78

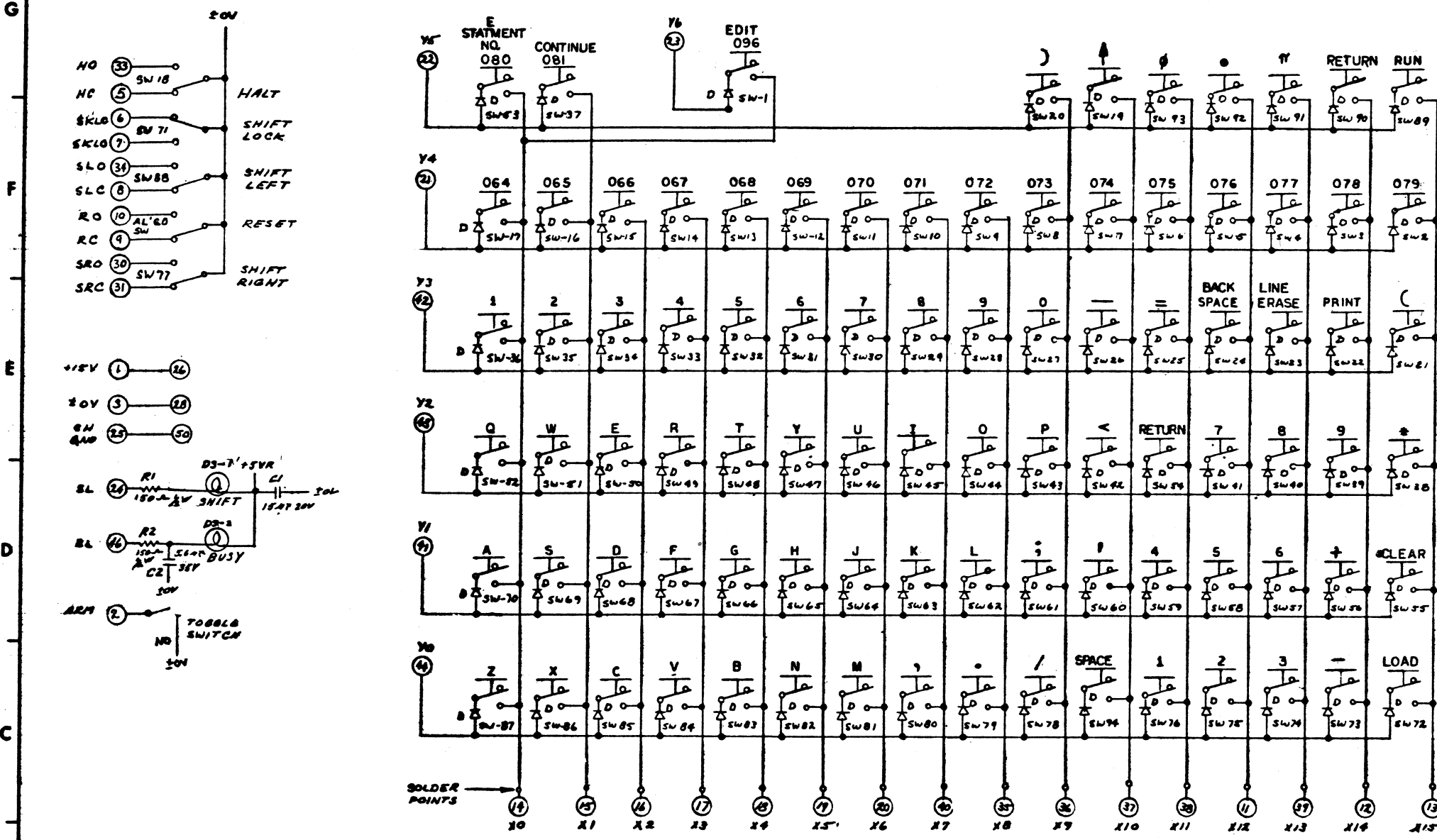


MODEL NO
PAC II / 2200
SEE ENGR SPECIFICATIONS
NO. E2-1001

BY	DATE	APPROVED BY	DATE
OWN F.E. SOUSA	28 MAR 73	E ENGR	
CHK		M ENGR	
E C CONTROL		MFG ENGR	
TITLE CPU POWER CABLE			
SEE CHART C	6422-125	9	
WANG PART NUMBER	SIZE	DRAWING NUMBER	REV

THIS DOCUMENT IS THE PROPERTY OF WANG LABORATORIES, INC. AND SHALL NOT BE REPRODUCED OR COPIED, OR USED AS A BASIS FOR THE MANUFACTURE OR SALE OF APPARATUS OR DEVICES WITHOUT PERMISSION.

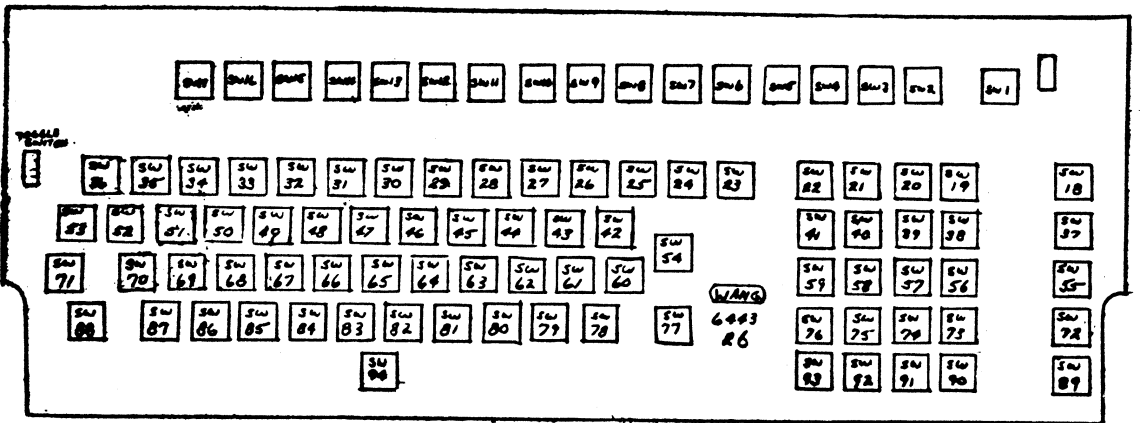
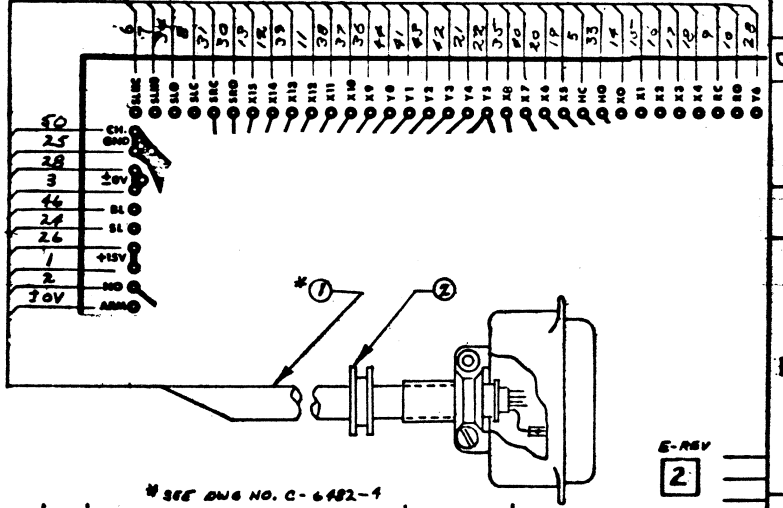
HOLE LEGEND		
DRILLED OR PUNCHED HOLE	HOLE DIA.	TOL.
	0.125 to 0.125	±.001
	0.125 to 0.250	±.002
	0.251 to 0.500	±.005
IDENT.	DESCRIPTION	QTY.
A		



SIGNAL	WIRE NO.	PIN NO.
15V	1	1
	2	2
20V	3	3
	4	4
NC	5	5
SLKC	6	6
SLKD	7	7
SLC	8	8
RC	9	9
RO	10	10
X12	11	11
X14	12	12
X15	13	13
X10	14	14
X1	15	15
X2	16	16
X3	17	17
X4	18	18
X5	19	19
X6	20	20
Y4	21	21
Y5	22	22
Y6	23	23
SL	24	24
SW 50	25	25

SIGNAL	WIRE NO.	PIN NO.
15V	26	26
20V	28	28
SRO	30	30
SRC	31	31
HO	33	33
SLO	34	34
X8	35	35
X9	36	36
X10	37	37
X11	38	38
X13	39	39
X7	40	40
Y1	41	41
Y3	42	42
Y2	43	43
Y0	44	44
	45	45
BL	46	46
ARM	47	47
NO	48	48
	49	49
SW 50	50	50

ITEM	WL PT NO.
D	380-1001
C1	300-4022
SW-17	325-2413
SW-18, 19, 20, 21, 22, 23, 24, 25, 26, 27, 28, 29, 30, 31, 32, 33, 34, 35, 36, 37, 38, 39, 40, 41, 42, 43, 44, 45, 46, 47, 48, 49, 50	325-2407
TOGGLE SW	325-0020
AL'GO SW	325-0026
DS1, 2	310-0004
M 1	220-2630-9
2	654-1205
R1, 2	331-2015
C2	300-4017

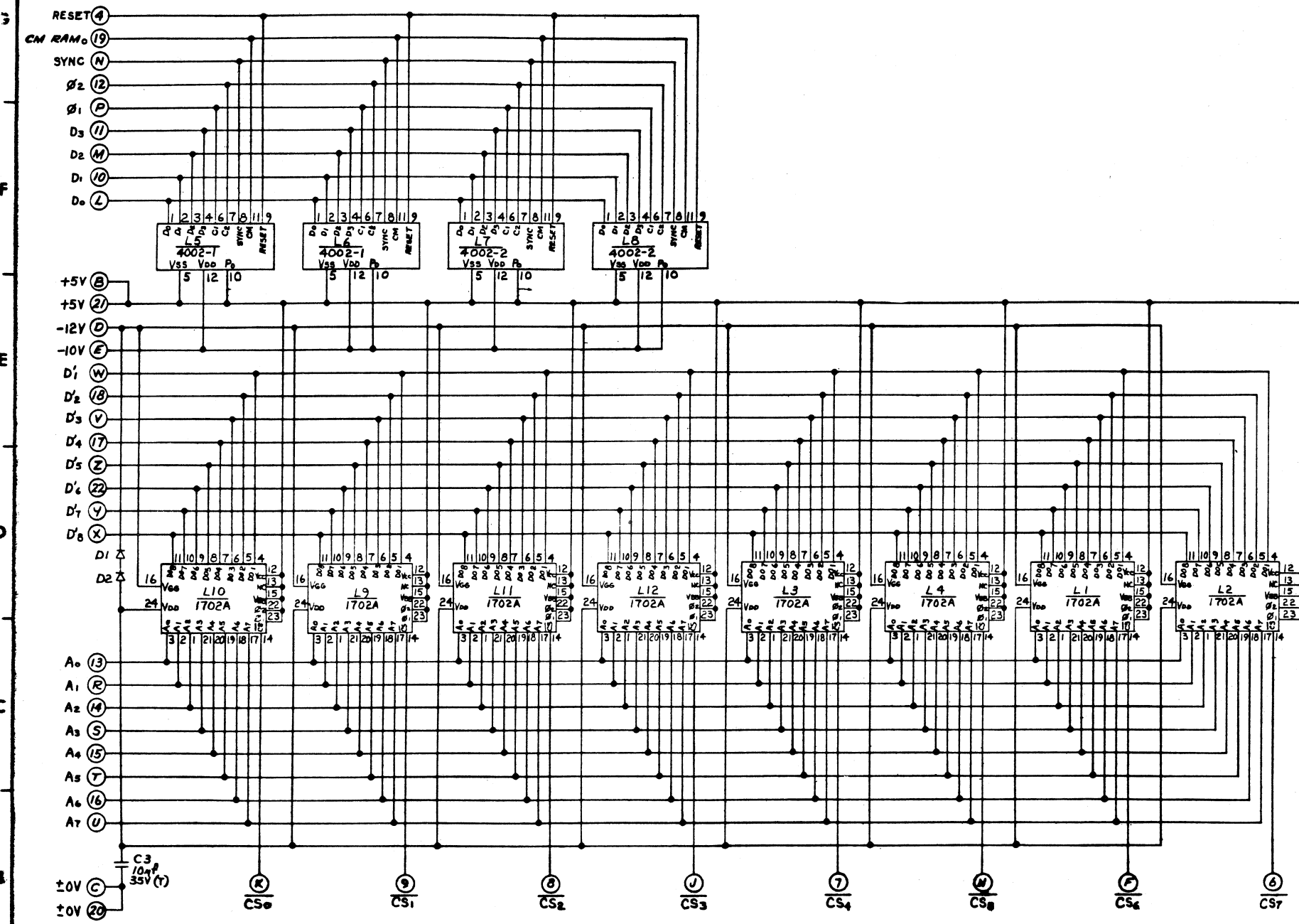


REV	DATE	BY	APP'D	DESCRIPTION
1	11-27-72	W. J. ...		REV PER ...
2	12-28-72	W. J. ...		REV PER ...
3	1-17-73	W. J. ...		REV PER ...
4	2-25-73	W. J. ...		REV PER ...
5	6-1-73	W. J. ...		REV PER ...
6	6-1-73	W. J. ...		REV PER ...
7	6-1-73	W. J. ...		REV PER ...
8	6-1-73	W. J. ...		REV PER ...
9	6-1-73	W. J. ...		REV PER ...
10	6-1-73	W. J. ...		REV PER ...

WANG PART NO.	ITEM	QTY.	NAME	MATERIAL	DESCRIPTION
	FIRST USED ON				
	ASSY USED ON				
			WANG LABORATORIES, INC. TELETYPE, MASS. U.S.A.	BY	DATE
			MODEL NO. 2223	CHK	APPROVED BY
			SEE ENGR SPECIFICATIONS	E C CONTROL	DATE
			TITLE SCHEMATIC FOR 2223	MFG ENGR	
			SCALE		
			TOL. EX. AS NOTED		
			X0.25 ± 0.10 FRAC. ± 1/64		
			X0.5 ± 0.05 ANG. ± 1° 30' FINISH		
			SCALE		
			SHT # OF 5		
			210-6443	D	6443
			WANG PART NUMBER	SIZE	DRAWING NUMBER
					REV

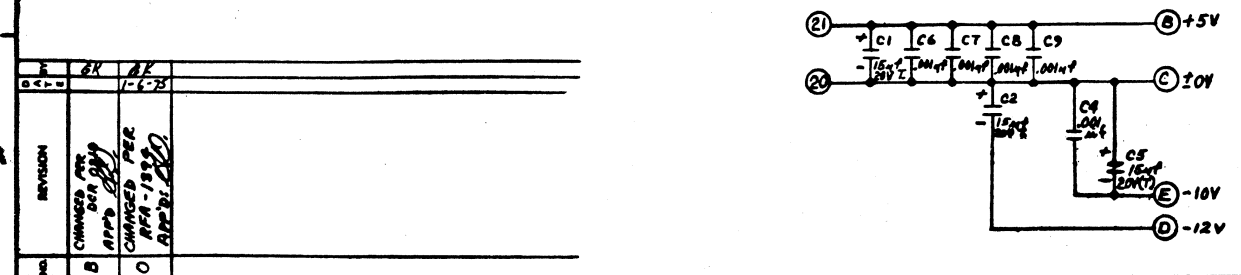
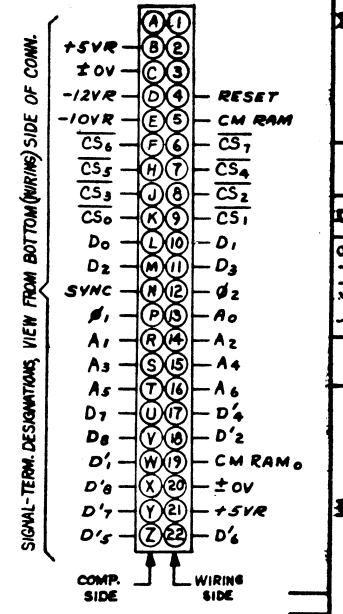
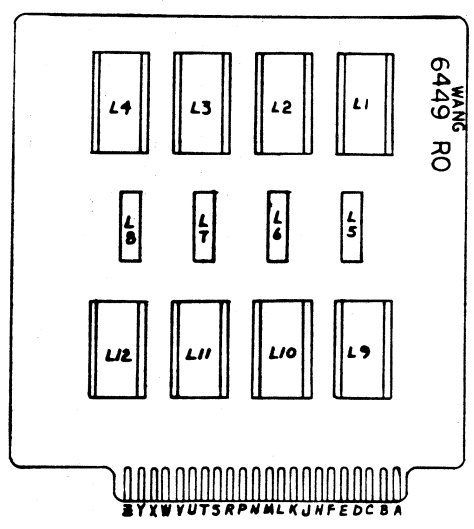
HOLE LEGEND		
DRILLED OR	HOLE DIA.	TOL.
PUNCHED HOLE	.0125 to .125	±.002
WELDED	.125 to .250	±.002
	.251 to .500	±.003
IDENT.	DESCRIPTION	QTY.
A		

THIS DOCUMENT IS THE PROPERTY OF WANG LABORATORIES, INC. AND SHALL NOT BE REPRODUCED OR COPIED, OR USED AS A BASIS FOR THE MANUFACTURE OR SALE OF APPARATUS OR DEVICES WITHOUT PERMISSION.



LOCATION	W.L. PART NO.	FRAC. NO.	FORM. NO.
L1-4, 9-12	377-0009	20V	12
L5, 6	377-0205		
L7, 8	377-0264		

COMPONENT	W.L. PART NO.
C1, 2, 5	300-4022
C4, 6-9	300-1906
C3	300-4032
D1, 2	380-4000



REV.	BY	DATE
1	AK	1-6-73
2	AK	1-6-73

CHANGES ARE APPROVED BY APPR. CHANGES PER APPR. - 1/5/73 APPR. 1/5/73

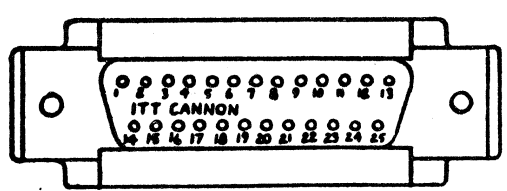
WANG PART NO.	ITEM	QTY.	NAME	MATERIAL	DESCRIPTION																							
2234A			SCHEMATIC LOGIC BLOCK # 6449		MEMORY BOARD																							
<table border="1"> <tr> <th>BY</th> <th>DATE</th> <th>APPROVED BY</th> <th>DATE</th> </tr> <tr> <td>DWN</td> <td>10-10-74</td> <td>E ENGR</td> <td>11/1/74</td> </tr> <tr> <td>CHK</td> <td>11-12-74</td> <td>M ENGR</td> <td></td> </tr> <tr> <td>E C CONTROL</td> <td></td> <td>MFG ENGR</td> <td></td> </tr> </table>			BY	DATE	APPROVED BY	DATE	DWN	10-10-74	E ENGR	11/1/74	CHK	11-12-74	M ENGR		E C CONTROL		MFG ENGR		<table border="1"> <tr> <th>WANG PART NUMBER</th> <th>SIZE</th> <th>DRAWING NUMBER</th> <th>REV.</th> </tr> <tr> <td>210-6449</td> <td>D</td> <td>6449</td> <td>0</td> </tr> </table>		WANG PART NUMBER	SIZE	DRAWING NUMBER	REV.	210-6449	D	6449	0
BY	DATE	APPROVED BY	DATE																									
DWN	10-10-74	E ENGR	11/1/74																									
CHK	11-12-74	M ENGR																										
E C CONTROL		MFG ENGR																										
WANG PART NUMBER	SIZE	DRAWING NUMBER	REV.																									
210-6449	D	6449	0																									
TITLE SCHEMATIC LOGIC BLOCK # 6449 MEMORY BOARD TOL. EX. AS NOTED JOG & 0.10 FRAC. ± 1/100 JOG & 0.05 ANG. ± 1° 30' FINISH SCALE 1/8" = 1" SHT 4 OF 5																												

LABORATORIES, INC AND SHALL NOT BE REPRODUCED OR COPIED, OR USED AS A BASIS FOR THE MANUFACTURE OR SALE OF APPARATUS OR DEVICES WITHOUT PERMISSION.

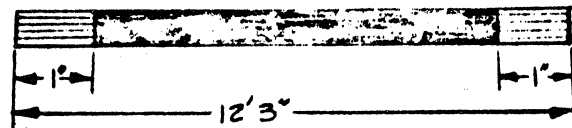
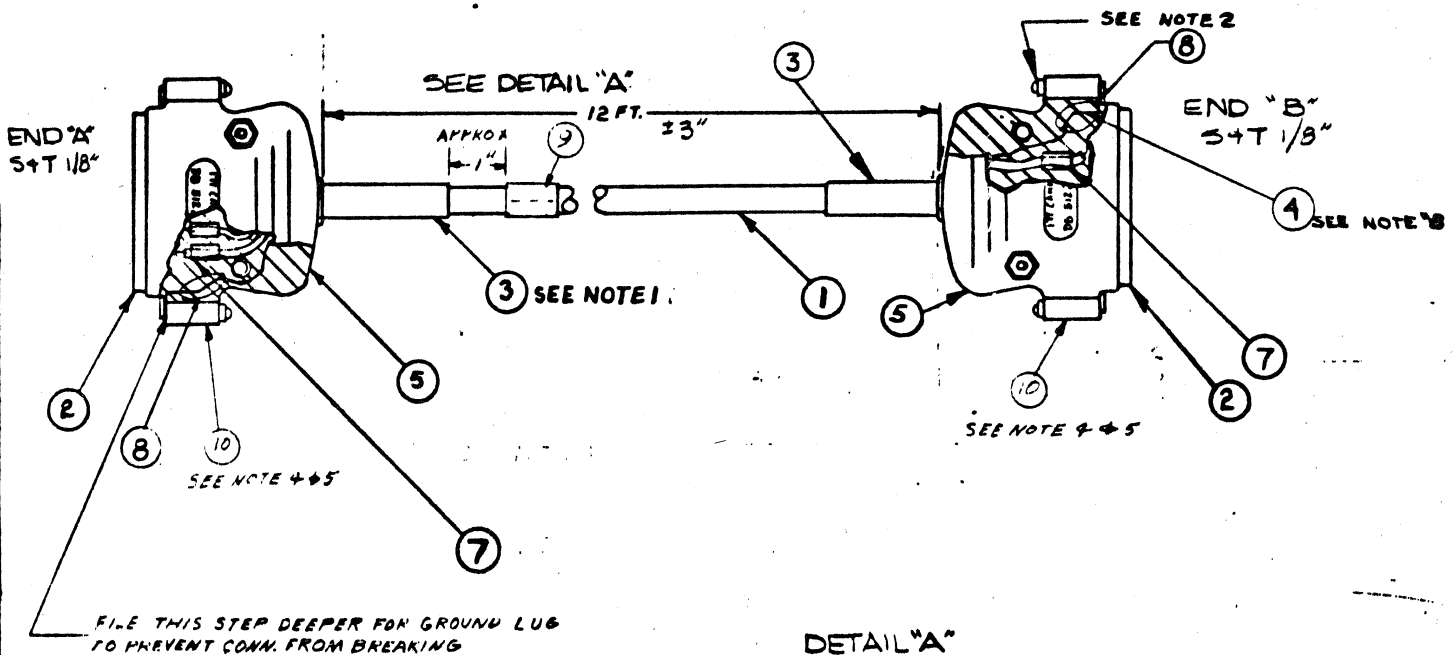
DRILLED OR PUNCHED HOLE TOLERANCES:	HOLE DIA.	TOL.
	.0125 to .125	±.001
	.126 to .250	±.002
	.251 to .500	±.003

IDNT.	DESCRIPTION	QTY.
A		

- NOTES
- ASSEMBLE ITEM 3 TO ITEM 1
 - HARDWARE SUPPLIED WITH ITEM 5.
 - SOLDER DRAIN WIRE TO ITEM 4
 - ITEM 10 NOT SHOWN
 - ITEM 10 APPLIED AFTER INSPECTION



CANNON CONN. PIN NO.	WIRE NO.	CANNON CONN. PIN NO.	SIGNAL NAMES
1	1	1	(AA) PROTECTIVE GND.
2	2	2	(BA) TRANSMITTED DATA
3	3	3	(BB) RECEIVED DATA
4	4	4	(CA) REQUEST TO SEND
5	5	5	(CB) CLEAR TO SEND
6	6	6	(CC) DATA SET READY
7	7	7	(AB) SIGNAL GND.
8	8	8	(CF) CARRIER DETECTOR
9	9	9	
10	10	10	
11	11	11	(SA) SUPERVISORY TRANS
12	12	12	(SB) SUPERVISORY REC.
13	13	13	
14	14	14	
15	15	15	
16	16	16	
17	17	17	
18	18	18	
19	19	19	
20	20	20	(CD) DATA TERMINAL READY
21	21	21	
22	22	22	(CE) RING INDICATOR
23	23	23	
24	24	24	
25	25	25	



WANG PART NO	ITEM	QTY	NAME	MATERIAL	DESCRIPTION
685-0099	10	2	BUBBLE BAG		5 1/2" X 4"
606-0113	9	1	HEATING WAX		3/8" DIA
605-0123	8	2	SHRINK TUBING BLACK		3/16" I.D. 1/2" LONG
605-0002	7	AR	SLEEVE CLEAR		#15 1/4" LONG
660-0202		AR	SOLDER		63/37 ALLOY
350-4215	5	2	CONN. SHELL		CANNON #DB 51226-1
458-0361	4	2	GROUND STRAP		C6815-2B
605-0129	3	2	HEATSHRINK TUBING 1/2" OD BLACK		1/2 1/2" LONG
350-1030	2	2	CONN. 25 PIN		ITT CANNON DB 25P
420-0053	1	AR	CABLE SHIELDED		24 CONDUCTOR AWG 26

REV.	DATE	BY	REASON
1	2-13-74	JRB	REV. PERTO 7/2
2	4-17-74	JRB	REVISED PER KFA. N.E. 0876
3	5-17-74	JRB	REV. PER. EOU 5409
4	3/17/76	DOC	REV PER ECU 864
5	9/22/77	REP	REV PER ECU 7507
6	9/26/77	REP	REV PER ECU 8583
7	9/17/78	RC	REV PER ECU 8808
8	10/11/78	REP	REV PER ECU 8990
9	11/15/78	REP	REV PER ECU 9127
10	10-9-78	REP	REV PER ECU 9254

WANG LABORATORIES, INC
NEWBURY, MASS. U.S.A.

MODEL NO 2200 T.C.
SEE ENGR. SPECIFICATIONS No. ES-1001

FINISH

BY	DATE	APPROVED BY	DATE
DWN BK	12-10-73	E ENGR	12-11-73
CHK		M ENGR	
E C CONTROL		MFG ENGR	

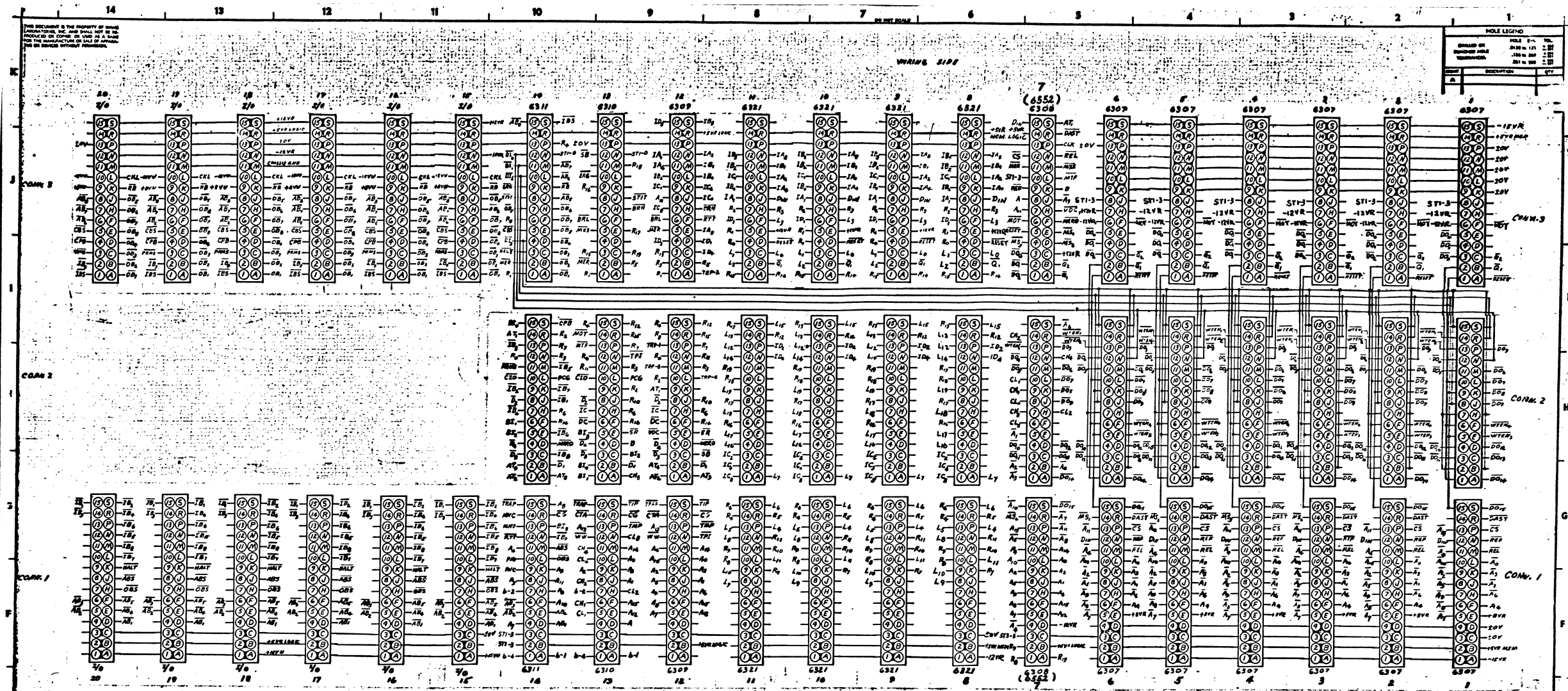
WANG PART NUMBER	SIZE	DRAWING NUMBER	REV
220-0113	C	6482-5	1.0

SCALE N.T.S. SHT 1 OF 1

E
D
C
B
A

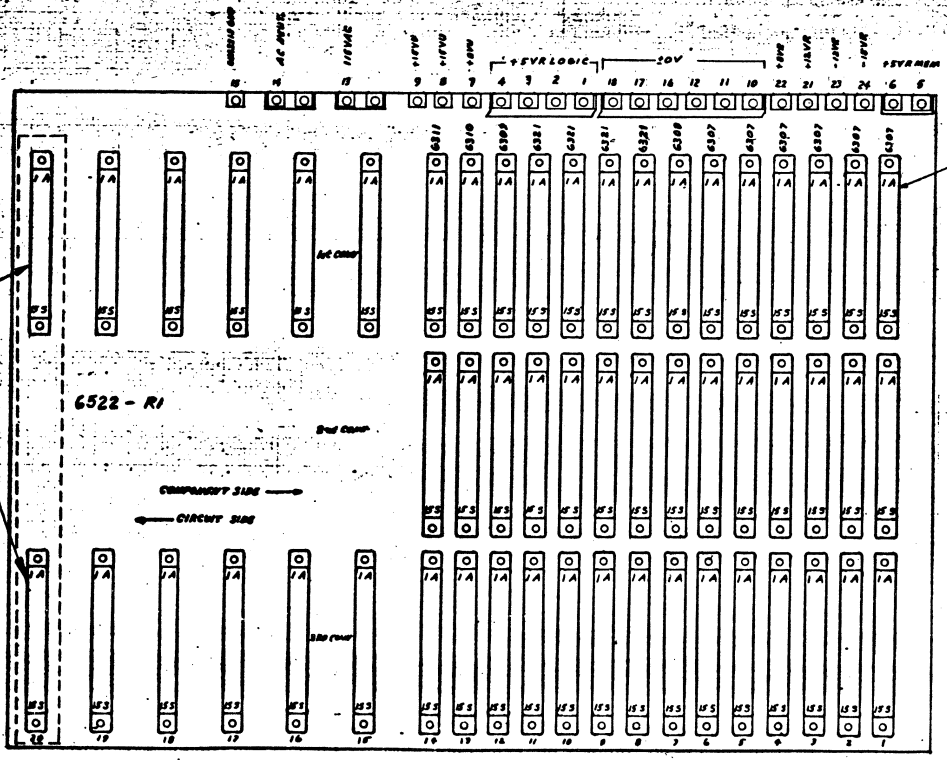
E
D
C
B
A

7 6 5 4 3 2 1



WIRE LEGEND

WIRE NO.	DESCRIPTION	QTY
1
2
3
4
5
6
7
8
9
10
11
12
13
14
15
16
17
18
19
20
21
22
23
24
25
26
27
28
29
30



VARIATION CHART

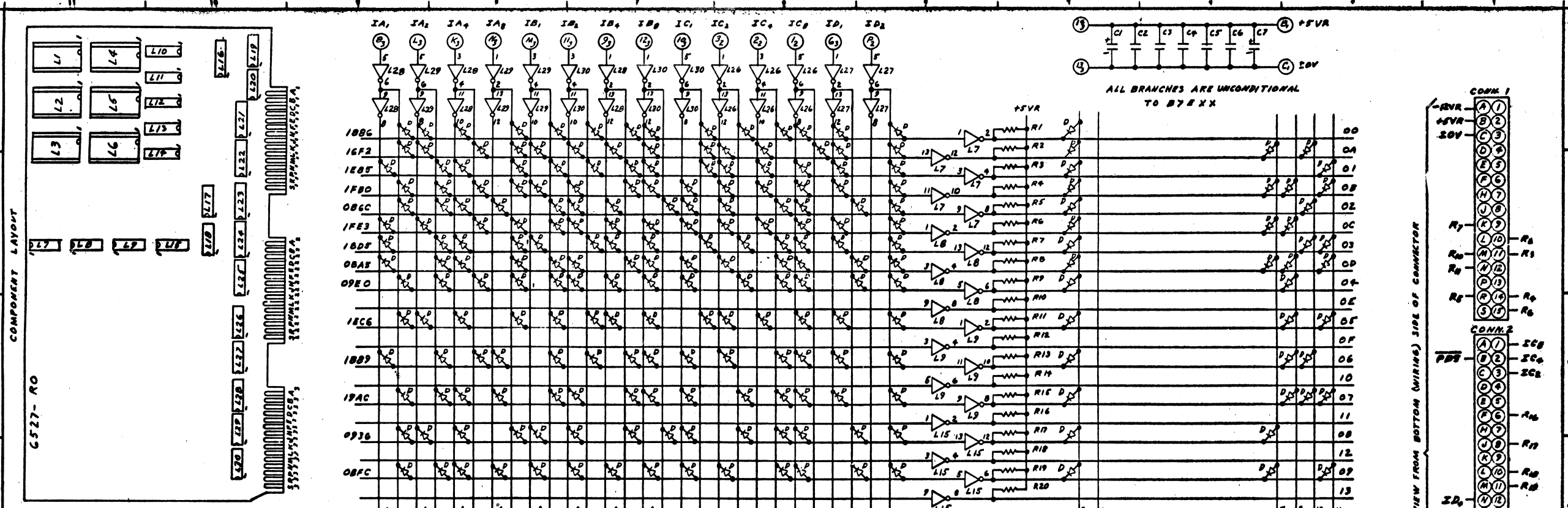
PC BOARD	350-0011	350-0012
1	6522	54
2	6522-1	52
		2

NOTES:
SEE D6227 FOR 2200 POWER SUPPLY & INTERCONNECTION DIAGRAM.

E REV. 1

REVISED PER	DATE	BY	REASON
1	1/10/59
2
3
4
5
6
7
8
9
10
11
12
13
14

WANG PART NO.	ITEM	QTY	NAME	MATERIAL	DESCRIPTION
...
WANG					
2200 A&B					
MOTHER BOARD					
210-6522 C 6522 6					



COMP	SIZE/TYPE	W.L. NO.	QTY
RITH0101R	PCW 330-3010	30	
D	SIL DIODE 300-1001	234	
D2,3	RM 103 300-4000	2	
C1,7	15452WIMP 300-4022	2	
C2,3,4,5,6	51NFER 300-1903	5	
SOCKET	24 PIN 376-3003	C	

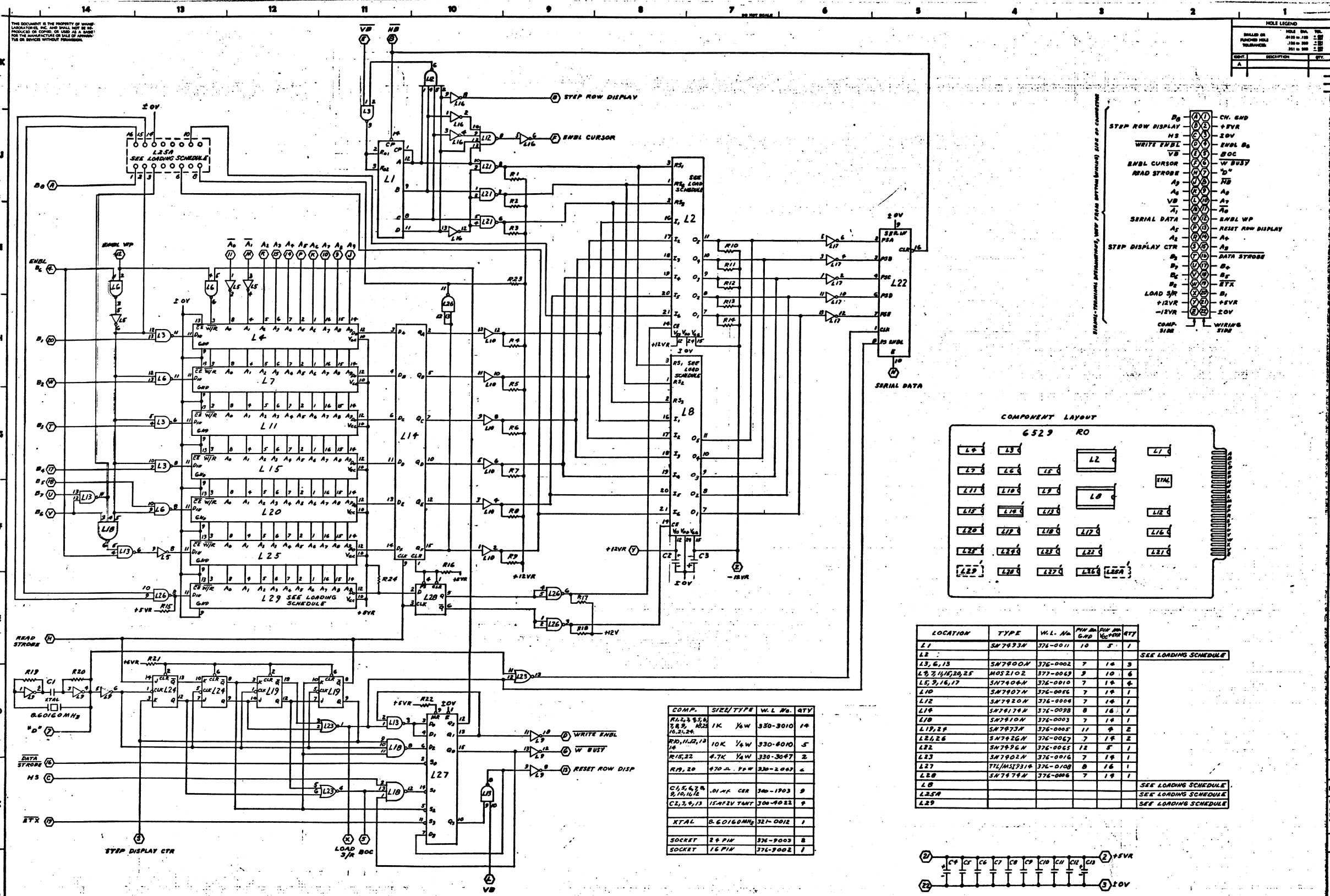
1702A PROGRAM VARIATIONS		
LOC.	A1	A1E
L1		378-0256
L2		378-0255
L3		378-0257
L4	378-0264	378-0253
L5	378-0263	378-0252
L6	378-0265	378-0254

REV	DATE	BY	APP'D	DESCRIPTION
1	1-15-74	WLD		INITIAL
2	1-22-74	WLD		REVISION

LOCATION	TYPE	W.L. NO.	PIN NO. 30V	PIN NO. 15V	QTY
L1,2,3,4,5,6	1702A	377-0009	-	-	8
L7,8,9,10,11,12	2935	376-0025	7	14	5
L13	5174-52N	376-0003	8	16	1
L14	5174-52N	376-0002	8	16	1
L15,11,12,13,14	5174-52N	376-0002	8	16	5
L16	5174-52N	376-0007	13	8	1
L17,25,26,27,28,29,30	5174-52N	376-0010	7	16	6
L20	5174-52N	376-0008	7	16	1
L21,22,23,24,25	0710	376-0137	8	16	8

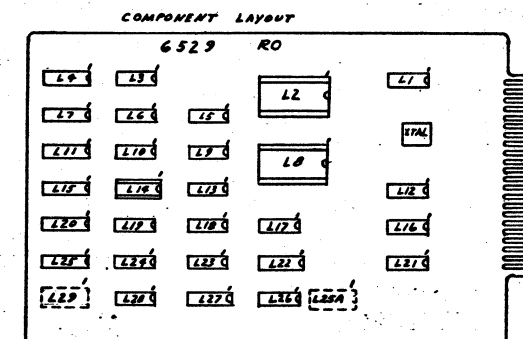
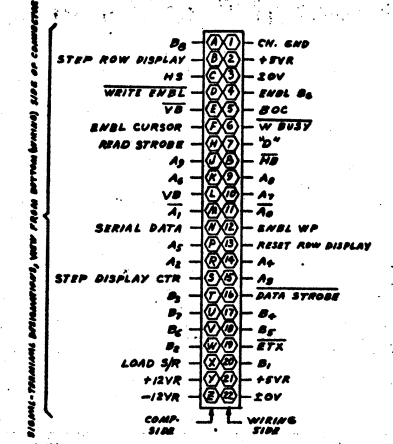
SEE PROGRAM VARIATIONS

REV. 2	DATE 1-22-74	BY WLD	APP'D
WANG LABORATORIES, INC. TOWERSVILLE, MARYLAND, U.S.A.			
FORM No. 2200	W.A. No.	SCALE 1/16"	SHEET 1 OF 1
TITLE SUPER. PATCH VERSIONS AT AND A7E DIPIC AND ERASABLE ROM BOARD			
2 D	6527-10		



HOLE LEGEND

DRILL DIA.	REMARKS
0.0625	NO. 10
0.125	NO. 20
0.1875	NO. 30
0.25	NO. 40
0.3125	NO. 50
0.375	NO. 60
0.4375	NO. 70
0.5	NO. 80



LOCATION	TYPE	W.L. No.	W.L. No.	QTY
L1	5N7633A	374-0011	10	5
L2				SEE LOADING SCHEDULE
L3, 6, 13	5N7800N	376-0002	7	14
L4, 7, 14, 20, 25	MOS2102	377-0069	3	10
L5, 9, 16, 17	5N7404N	376-0010	7	14
L10	5N7807N	376-0026	7	14
L12	5N7820N	376-0008	7	14
L14	5N78174N	376-0038	8	16
L18	5N7810N	376-0003	7	14
L19, 24	5N7873N	376-0005	11	22
L21, 26	5N7826N	376-0007	7	14
L22	5N7896N	376-0065	12	24
L23	5N7802N	376-0016	7	14
L27	71L/M317314	376-0108	8	16
L28	5N7874N	376-0006	7	14
L30				SEE LOADING SCHEDULE
L35A				SEE LOADING SCHEDULE
L39				SEE LOADING SCHEDULE

COMP.	SIZE/TYPE	W.L. No.	QTY
R1, 2, 3, 4, 5, 6, 7, 8, 9, 10, 11, 12, 13, 14, 15, 16, 17, 18, 19, 20, 21, 22, 23, 24, 25, 26, 27, 28, 29, 30, 31, 32, 33, 34, 35, 36, 37, 38, 39, 40, 41, 42, 43, 44, 45, 46, 47, 48, 49, 50, 51, 52, 53, 54, 55, 56, 57, 58, 59, 60, 61, 62, 63, 64, 65, 66, 67, 68, 69, 70, 71, 72, 73, 74, 75, 76, 77, 78, 79, 80, 81, 82, 83, 84, 85, 86, 87, 88, 89, 90, 91, 92, 93, 94, 95, 96, 97, 98, 99, 100	1K 1/4W	330-3010	14
R10, 11, 12, 13, 14	10K 1/4W	330-8010	5
R15, 22	4.7K 1/4W	330-3047	2
R19, 20	470Ω 1/4W	330-2047	4
C1, 5, 6, 7, 8, 9, 10, 11, 12	0.01μF CER	340-1903	9
C2, 3, 4, 13	15μF 25V TANT	300-4022	9
XTAL	B. 60160MHz	321-0012	1
SOCKET	24 PIN	321-9003	8
SOCKET	16 PIN	376-9002	1

LOADING SCHEDULE

APPLICATION	PART NO.	PART NO.	L2	L8	L29
STANDARD (ENGLISH UPPER CASE)	210-6529-2A	209-6529-2	377-0070	NOT LOADED	DO NOT LOAD
ENGLISH (UPPER/LOWER CASE)	210-6529-1A	209-6529-1	377-0226	377-0070	377-0069
DUAL LANGUAGE	210-6529-A	209-6529	377-0070	377-0220	377-0069

WANG

MODEL NO. 2216

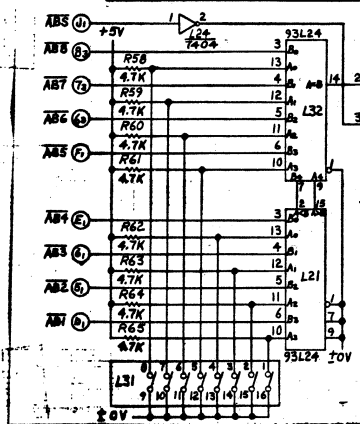
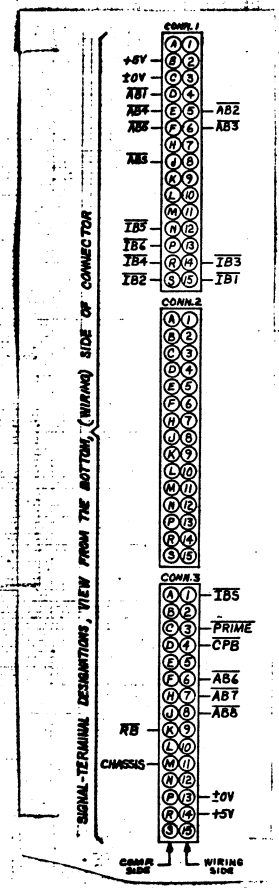
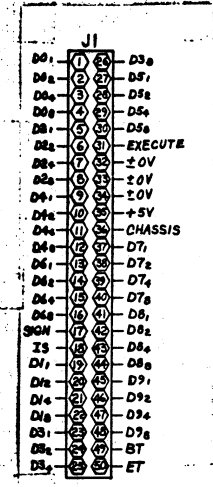
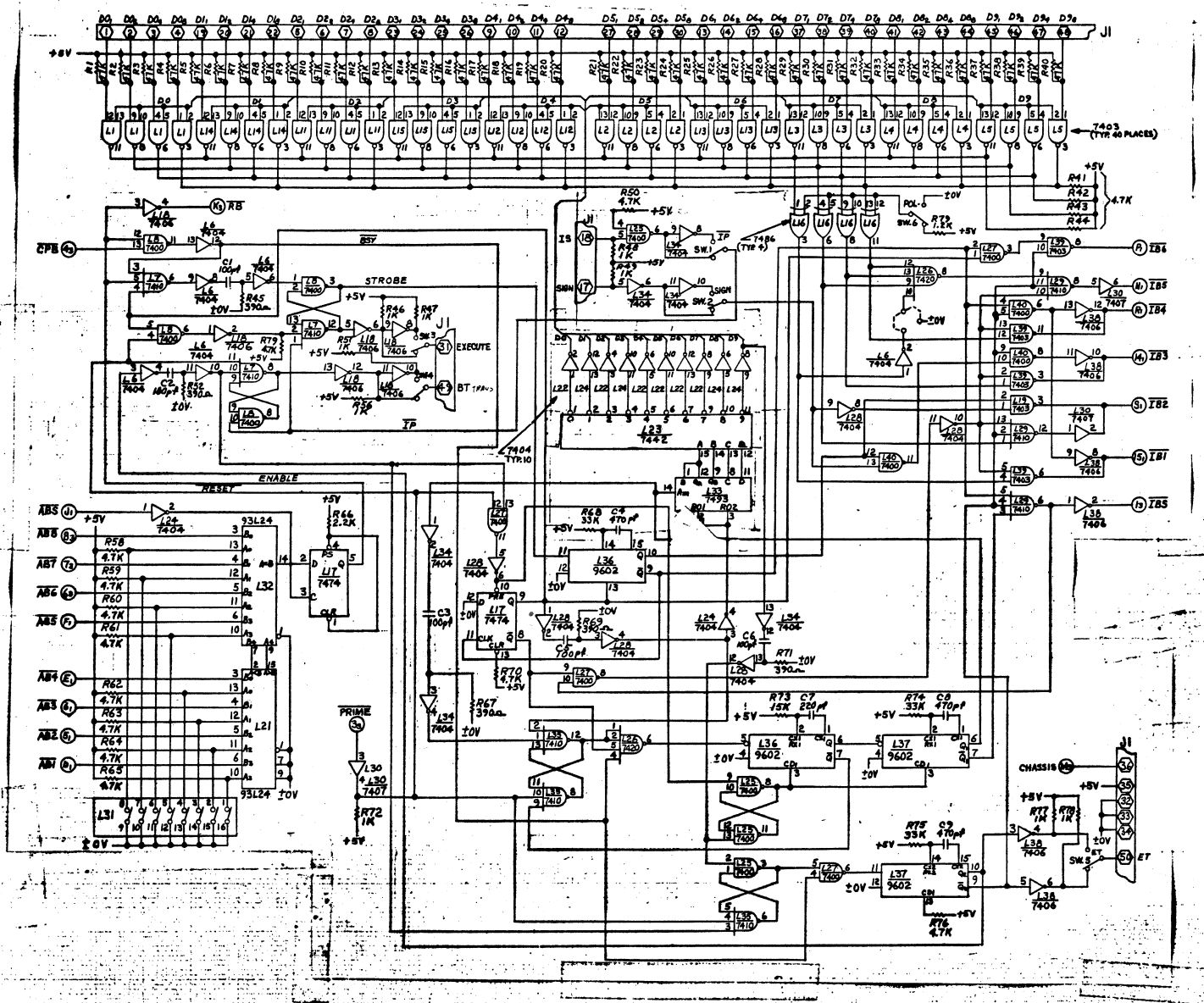
TITLE SCHEMATIC LOGIC/RO 6529 DUAL LANGUAGE DISPLAY

210-6529 E 6529 4

REV.	DESCRIPTION	DATE
1	ISSUED FOR FAB	11/21/71
2	REVISED FOR FAB	11/21/71
3	REVISED FOR FAB	11/21/71
4	REVISED FOR FAB	11/21/71
5	REVISED FOR FAB	11/21/71
6	REVISED FOR FAB	11/21/71
7	REVISED FOR FAB	11/21/71
8	REVISED FOR FAB	11/21/71
9	REVISED FOR FAB	11/21/71
10	REVISED FOR FAB	11/21/71
11	REVISED FOR FAB	11/21/71
12	REVISED FOR FAB	11/21/71
13	REVISED FOR FAB	11/21/71
14	REVISED FOR FAB	11/21/71

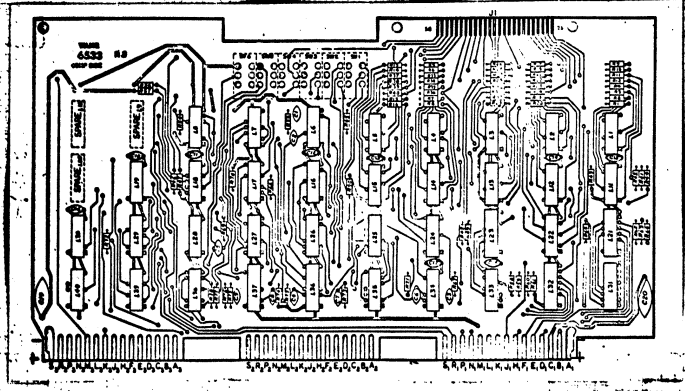
THIS DOCUMENT IS THE PROPERTY OF WANG LABORATORIES, INC. AND SHALL NOT BE REPRODUCED OR COPIED IN ANY MANNER WITHOUT THE WRITTEN PERMISSION OF WANG LABORATORIES, INC.

REV.	DESCRIPTION	DATE
1	INITIAL	
2	REVISED PER 6533-1	



PARTS LIST	
Q1	6533 PC BOARD
Q2	7400 IC
Q3	7401 IC
Q4	7402 IC
Q5	7403 IC
Q6	7404 IC
Q7	7405 IC
Q8	7406 IC
Q9	7407 IC
Q10	7408 IC
Q11	7409 IC
Q12	7410 IC
Q13	7411 IC
Q14	7412 IC
Q15	7413 IC
Q16	7414 IC
Q17	7415 IC
Q18	7416 IC
Q19	7417 IC
Q20	7418 IC
Q21	7419 IC
Q22	7420 IC
Q23	7421 IC
Q24	7422 IC
Q25	7423 IC
Q26	7424 IC
Q27	7425 IC
Q28	7426 IC
Q29	7427 IC
Q30	7428 IC
Q31	7429 IC
Q32	7430 IC
Q33	7431 IC
Q34	7432 IC
Q35	7433 IC
Q36	7434 IC
Q37	7435 IC
Q38	7436 IC
Q39	7437 IC
Q40	7438 IC
Q41	7439 IC
Q42	7440 IC
Q43	7441 IC
Q44	7442 IC
Q45	7443 IC
Q46	7444 IC
Q47	7445 IC
Q48	7446 IC
Q49	7447 IC
Q50	7448 IC
Q51	7449 IC
Q52	7450 IC
Q53	7451 IC
Q54	7452 IC
Q55	7453 IC
Q56	7454 IC
Q57	7455 IC
Q58	7456 IC
Q59	7457 IC
Q60	7458 IC
Q61	7459 IC
Q62	7460 IC
Q63	7461 IC
Q64	7462 IC
Q65	7463 IC
Q66	7464 IC
Q67	7465 IC
Q68	7466 IC
Q69	7467 IC
Q70	7468 IC
Q71	7469 IC
Q72	7470 IC
Q73	7471 IC
Q74	7472 IC
Q75	7473 IC
Q76	7474 IC
Q77	7475 IC
Q78	7476 IC
Q79	7477 IC
Q80	7478 IC
Q81	7479 IC
Q82	7480 IC
Q83	7481 IC
Q84	7482 IC
Q85	7483 IC
Q86	7484 IC
Q87	7485 IC
Q88	7486 IC
Q89	7487 IC
Q90	7488 IC
Q91	7489 IC
Q92	7490 IC
Q93	7491 IC
Q94	7492 IC
Q95	7493 IC
Q96	7494 IC
Q97	7495 IC
Q98	7496 IC
Q99	7497 IC
Q100	7498 IC
Q101	7499 IC
Q102	7500 IC

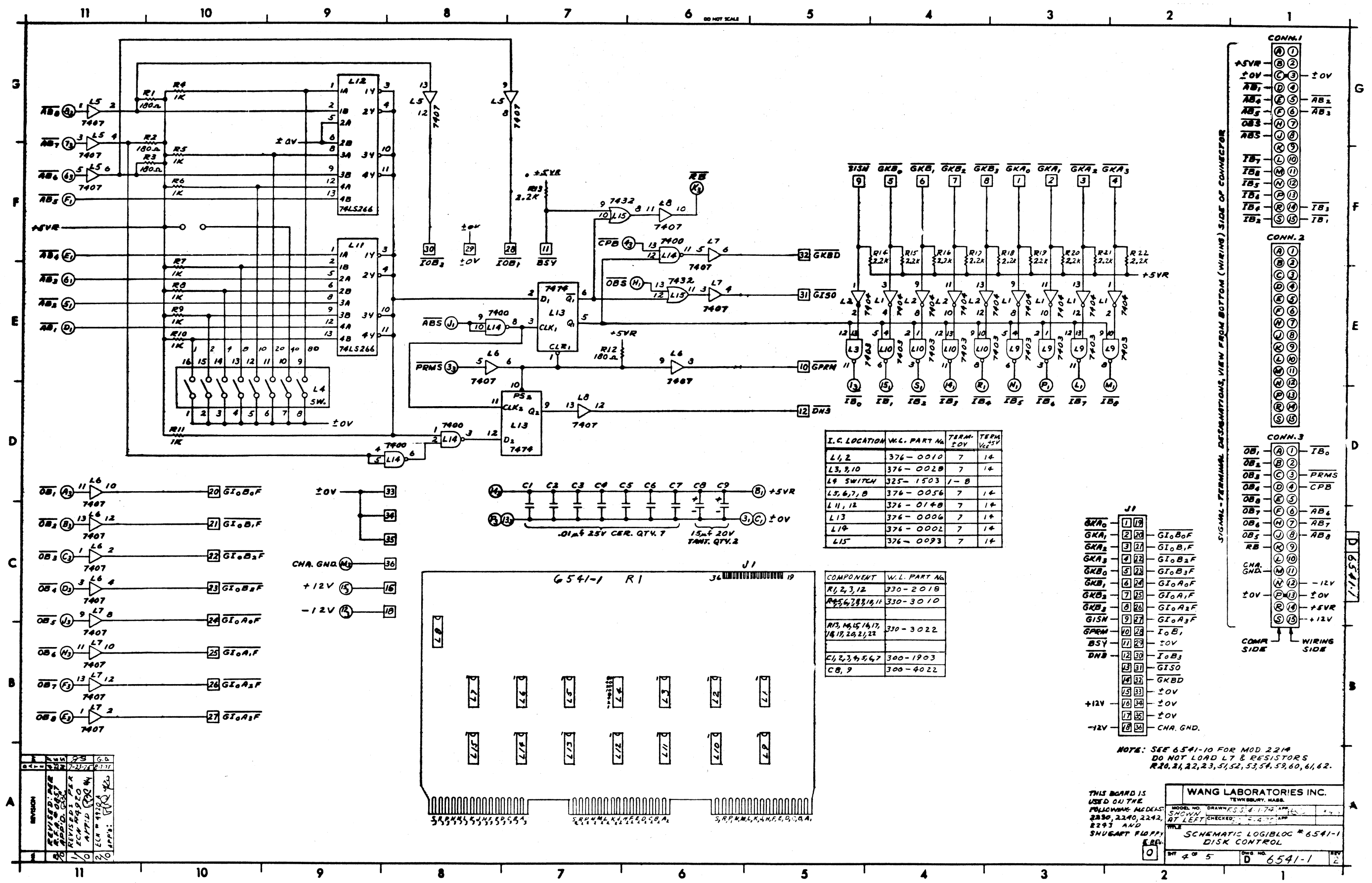
LOCATION	YEAR NO.	TERM. NO.
L1, L2, L3, L4, L5, L6, L7, L8, L9, L10, L11, L12, L13, L14, L15, L16, L17, L18, L19, L20, L21, L22, L23, L24, L25, L26, L27, L28, L29, L30, L31, L32, L33, L34, L35, L36, L37, L38, L39, L40, L41, L42, L43, L44, L45, L46, L47, L48, L49, L50, L51, L52, L53, L54, L55, L56, L57, L58, L59, L60, L61, L62, L63, L64, L65, L66, L67, L68, L69, L70, L71, L72, L73, L74, L75, L76, L77, L78, L79, L80, L81, L82, L83, L84, L85, L86, L87, L88, L89, L90, L91, L92, L93, L94, L95, L96, L97, L98, L99, L100	7	14
L1, L2, L3, L4, L5, L6, L7, L8, L9, L10, L11, L12, L13, L14, L15, L16, L17, L18, L19, L20, L21, L22, L23, L24, L25, L26, L27, L28, L29, L30, L31, L32, L33, L34, L35, L36, L37, L38, L39, L40, L41, L42, L43, L44, L45, L46, L47, L48, L49, L50, L51, L52, L53, L54, L55, L56, L57, L58, L59, L60, L61, L62, L63, L64, L65, L66, L67, L68, L69, L70, L71, L72, L73, L74, L75, L76, L77, L78, L79, L80, L81, L82, L83, L84, L85, L86, L87, L88, L89, L90, L91, L92, L93, L94, L95, L96, L97, L98, L99, L100	8	16
L1, L2, L3, L4, L5, L6, L7, L8, L9, L10, L11, L12, L13, L14, L15, L16, L17, L18, L19, L20, L21, L22, L23, L24, L25, L26, L27, L28, L29, L30, L31, L32, L33, L34, L35, L36, L37, L38, L39, L40, L41, L42, L43, L44, L45, L46, L47, L48, L49, L50, L51, L52, L53, L54, L55, L56, L57, L58, L59, L60, L61, L62, L63, L64, L65, L66, L67, L68, L69, L70, L71, L72, L73, L74, L75, L76, L77, L78, L79, L80, L81, L82, L83, L84, L85, L86, L87, L88, L89, L90, L91, L92, L93, L94, L95, L96, L97, L98, L99, L100	10	5



NOTES: 1- ALL RESISTORS ARE 1/4W 5%, UNLESS OTHERWISE SPECIFIED.
2- ALL SWITCH POSITIONS ARE SHOWN UP.

REV.	DESCRIPTION	DATE
1	INITIAL	
2	REVISED PER 6533-1	

WANG PART NO.	ITEM	QTY.	NAME	MATERIAL	DESCRIPTION
6533-1	1	1	SCHEMATIC LOGIBLOC 6533 MICRO INTERFACE		



I.C. LOCATION	W.L. PART No.	TERM. 1-20V	TERM. 21-25V
L1, 2	376-0010	7	14
L3, 9, 10	376-0028	7	14
L9 SWITCH	325-1503	1-8	
L5, 6, 7, 8	376-0056	7	14
L11, 12	376-0148	7	14
L13	376-0006	7	14
L14	376-0002	7	14
L15	376-0093	7	14

COMPONENT	W.L. PART No.
R1, 2, 3, 12	370-2018
R4, 5, 6, 7, 8, 11	330-3010
R13, 14, 15, 16, 17, 18, 19, 20, 21, 22	330-3022
C1, 2, 3, 4, 5, 6, 7	300-1903
C8, 9	300-4022

J1	TERM. 1-19	TERM. 20-25
GKA0	1	GI0B0F
GKA1	2	GI0B1F
GKA2	3	GI0B2F
GKA3	4	GI0B3F
GKB0	5	GI0A0F
GKB1	6	GI0A1F
GKB2	7	GI0A2F
GKB3	8	GI0A3F
G1S0	9	GI0A3F
GPRM	10	I0B1
BSY	11	±0V
DNB	12	I0B3
	13	GI50
	14	GKBD
	15	±0V
	16	±0V
	17	±0V
	18	CHA. GND.

NOTE: SEE 6541-10 FOR MOD 2214
DO NOT LOAD L7 & RESISTORS
R20, 21, 22, 23, 51, 52, 53, 54, 59, 60, 61, 62.

THIS BOARD IS USED ON THE FOLLOWING MODELS: 2230, 2240, 2242, 8243 AND SHUGART FLOPPY DISK CONTROL.

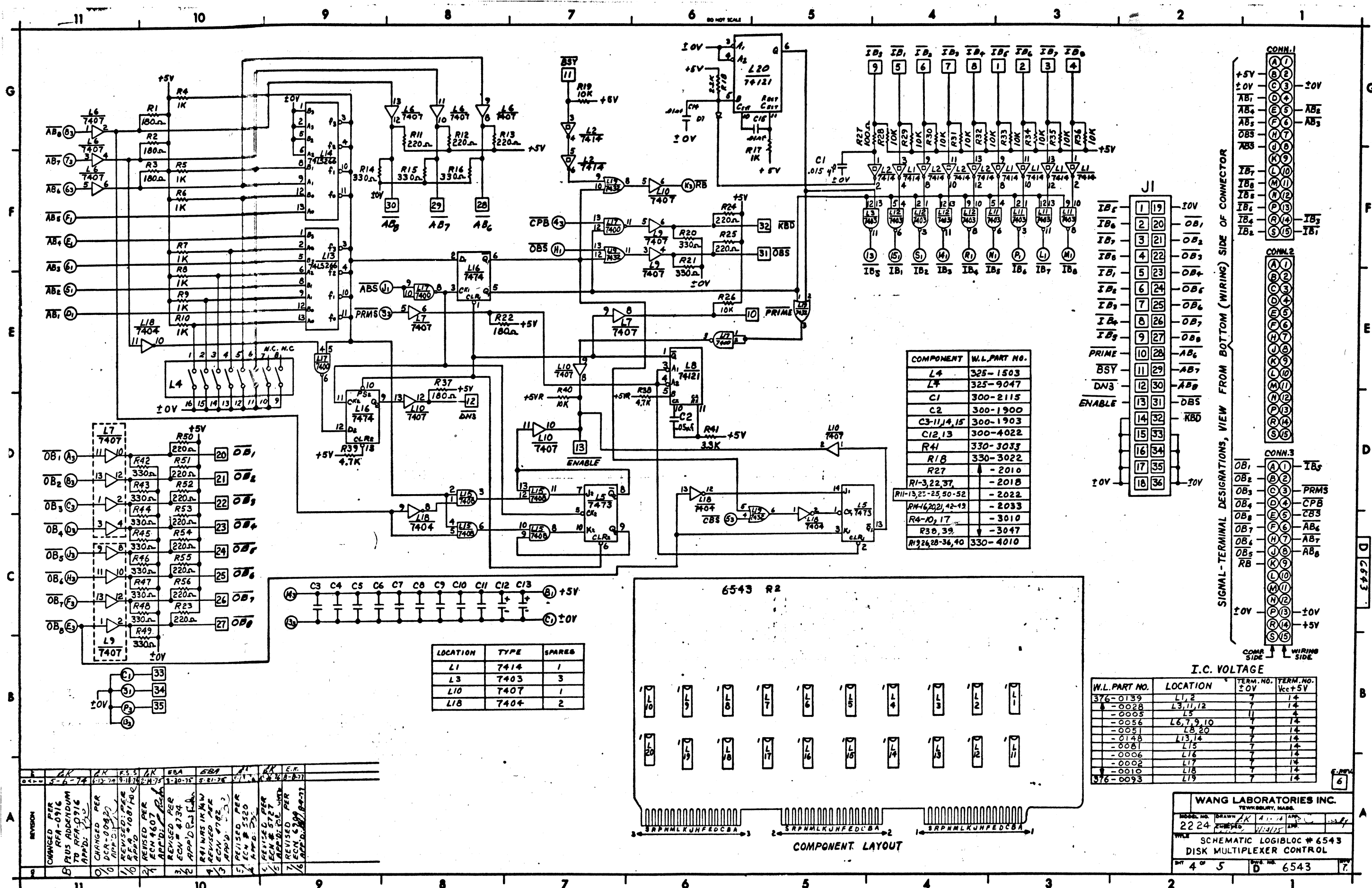
WANG LABORATORIES INC. NEWTON, MASS.

MODEL NO. DRAWN BY: 5/17/74
SHOWN AT LEFT CHECKED: 5/27/74

SCHEMATIC LOGIBLOC # 6541-1
DISK CONTROL

REV. 0
DATE 5-74
D 6541-1

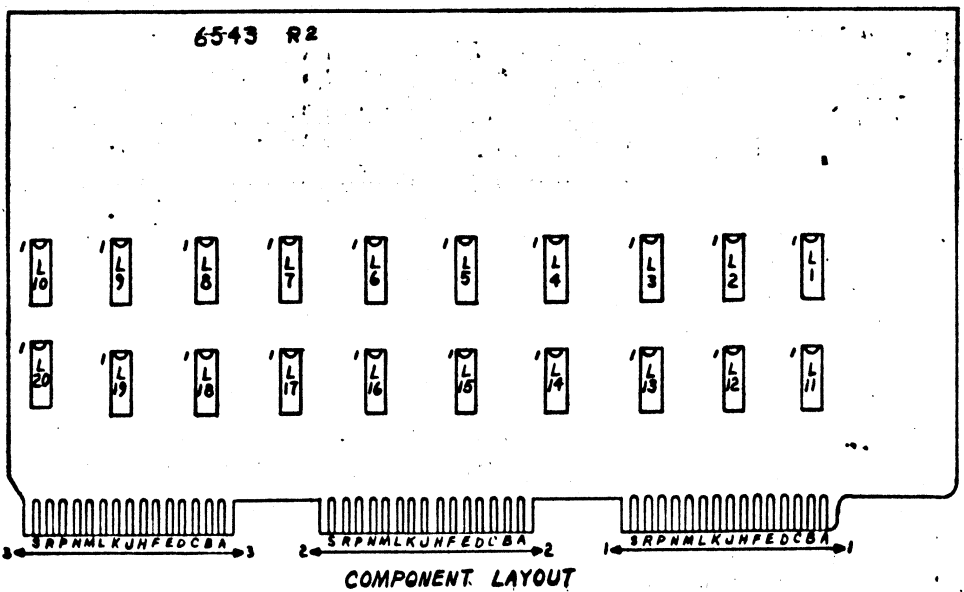
REV.	DATE	BY	CHKD.	APP.
0	5-74			



COMPONENT	W.L. PART NO.
L4	325-1503
L7	325-9047
C1	300-2115
C2	300-1900
C3-11,14,15	300-1903
C12,13	300-4022
R4	330-3033
R18	330-3022
R27	-2010
R1-3,22,37	-2018
R11-13,25-25,50-52	-2022
R14,20,21,42-43	-2033
R4-10,17	-3010
R30,39	-3047
R19,24,28-36,40	330-4010

LOCATION	TYPE	SPARES
L1	7414	1
L3	7403	3
L10	7407	1
L18	7404	2

I.C. VOLTAGE			
W.L. PART NO.	LOCATION	±0V	TERM. NO. Vcc+5V
376-0139	L1,2	7	14
-0028	L3,11,12	7	14
-0005	L5	7	14
-0056	L6,7,9,10	7	14
-0051	L8,20	7	14
-0148	L13,14	7	14
-0081	L15	7	14
-0006	L16	7	14
-0002	L17	7	14
-0010	L18	7	14
376-0093	L19	7	14



REVISION	DATE	BY	DESCRIPTION
1	5-1-74	AK	CHANGED PER RFA-0916 PLUS ADDENDUM TO RFA-0916 APP'D: J.S.
2	5-15-74	AK	CHANGED PER DCR-0092 APP'D: J.S.
3	5-15-74	AK	REVISED PER RFA-1081 APP'D: J.S.
4	5-15-74	AK	REVISED PER RFA-1081 APP'D: J.S.
5	5-15-74	AK	REVISED PER RFA-1081 APP'D: J.S.
6	5-15-74	AK	REVISED PER RFA-1081 APP'D: J.S.
7	5-15-74	AK	REVISED PER RFA-1081 APP'D: J.S.
8	5-15-74	AK	REVISED PER RFA-1081 APP'D: J.S.
9	5-15-74	AK	REVISED PER RFA-1081 APP'D: J.S.
10	5-15-74	AK	REVISED PER RFA-1081 APP'D: J.S.
11	5-15-74	AK	REVISED PER RFA-1081 APP'D: J.S.
12	5-15-74	AK	REVISED PER RFA-1081 APP'D: J.S.
13	5-15-74	AK	REVISED PER RFA-1081 APP'D: J.S.
14	5-15-74	AK	REVISED PER RFA-1081 APP'D: J.S.
15	5-15-74	AK	REVISED PER RFA-1081 APP'D: J.S.
16	5-15-74	AK	REVISED PER RFA-1081 APP'D: J.S.
17	5-15-74	AK	REVISED PER RFA-1081 APP'D: J.S.
18	5-15-74	AK	REVISED PER RFA-1081 APP'D: J.S.
19	5-15-74	AK	REVISED PER RFA-1081 APP'D: J.S.
20	5-15-74	AK	REVISED PER RFA-1081 APP'D: J.S.
21	5-15-74	AK	REVISED PER RFA-1081 APP'D: J.S.
22	5-15-74	AK	REVISED PER RFA-1081 APP'D: J.S.
23	5-15-74	AK	REVISED PER RFA-1081 APP'D: J.S.
24	5-15-74	AK	REVISED PER RFA-1081 APP'D: J.S.
25	5-15-74	AK	REVISED PER RFA-1081 APP'D: J.S.
26	5-15-74	AK	REVISED PER RFA-1081 APP'D: J.S.
27	5-15-74	AK	REVISED PER RFA-1081 APP'D: J.S.
28	5-15-74	AK	REVISED PER RFA-1081 APP'D: J.S.
29	5-15-74	AK	REVISED PER RFA-1081 APP'D: J.S.
30	5-15-74	AK	REVISED PER RFA-1081 APP'D: J.S.
31	5-15-74	AK	REVISED PER RFA-1081 APP'D: J.S.
32	5-15-74	AK	REVISED PER RFA-1081 APP'D: J.S.
33	5-15-74	AK	REVISED PER RFA-1081 APP'D: J.S.
34	5-15-74	AK	REVISED PER RFA-1081 APP'D: J.S.
35	5-15-74	AK	REVISED PER RFA-1081 APP'D: J.S.

WANG LABORATORIES INC.
TECHNICAL DEPARTMENT

MODEL NO. 2224 DRAWN BY K.A. DATE 11/14/73 APP'D: J.S.

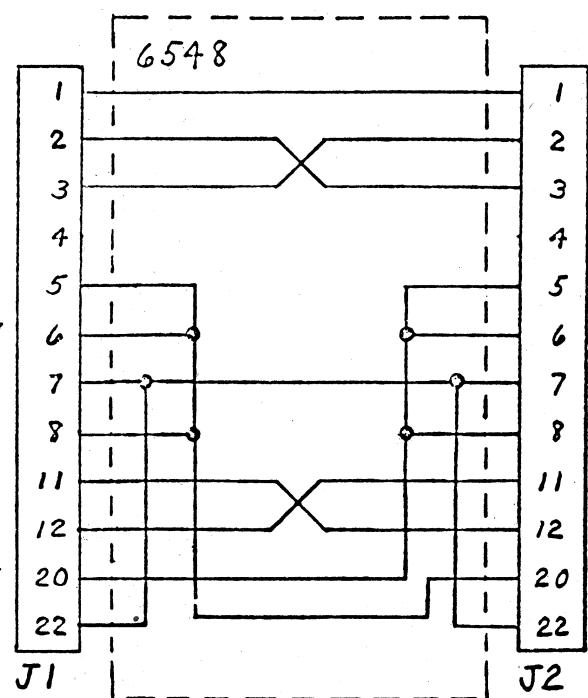
SCHEMATIC LOGIBLOC # 6543
DISK MULTIPLEXER CONTROL

SHEET 4 OF 5

6 5 4 DO NOT SCALE 3 2 1

HOLE LEGEND		
DRILLED OR	HOLE DIA.	TOL.
PUNCHED HOLE	.0135 to .125	+ .003 - .001
TOLERANCES:	.126 to .250	+ .004 - .001
	.251 to .500	+ .005 - .001
IDENT.	DESCRIPTION	QTY.
A		

CHASSIS GND
XMT DATA
RCV DATA
REQ TO SEND
CLEAR TO SEND
DATA SET READY
SIGNAL GND
CARRIER DET
SUP XMT
SUP RCV
DATA TERM. READY
RING



WANG LABORATORIES, INC.		PL 6548-4	A		
DATE	4/10/74	REV	1		
CHK		NULL MODEN JUNCTION			
APPD					
SYM					
QTY. PER DASH NO.	KEY	WANG PART NUMBER	WANG DRAWING NUMBER	NOMENCLATURE OR DESCRIPTION	ITEM NO.
	-4				
	1	510-6548		6548 PC BOARD	1
	2	350-1031		DB-25S CH CONN 6000 SERIES	3
SYM		REVISION DESCRIPTION	DATE	APPROVED	SYM
KEY		NOTES		MODEL	2227 N
				PL	6548-4

NO.	REVISION	DATE	BY

WANG PART NO.	ITEM	QTY.	NAME	MATERIAL	DESCRIPTION
			WANG LABORATORIES, INC. TEWKSBURY, MASS. U. S. A.	BY	DATE
				DWN M.F.	4/18/74
				CHK	M ENGR
				E. C. CONTROL	MFG ENGR
			MATERIAL	MODEL NO.	2227-N
				SEE ENGRG SPECIFICATIONS	No. _____
			FINISH	TOL. EX. AS NOTED	
				.XX ± .010 FRAC. ± 1/64	128
				.XXX ± .005 ANG. ± 1°30' FINISH ✓	
			SCALE	SHT / OF /	
			WANG PART NUMBER	SIZE	DRAWING NUMBER
				B	6548-1
					0

B 6548-1

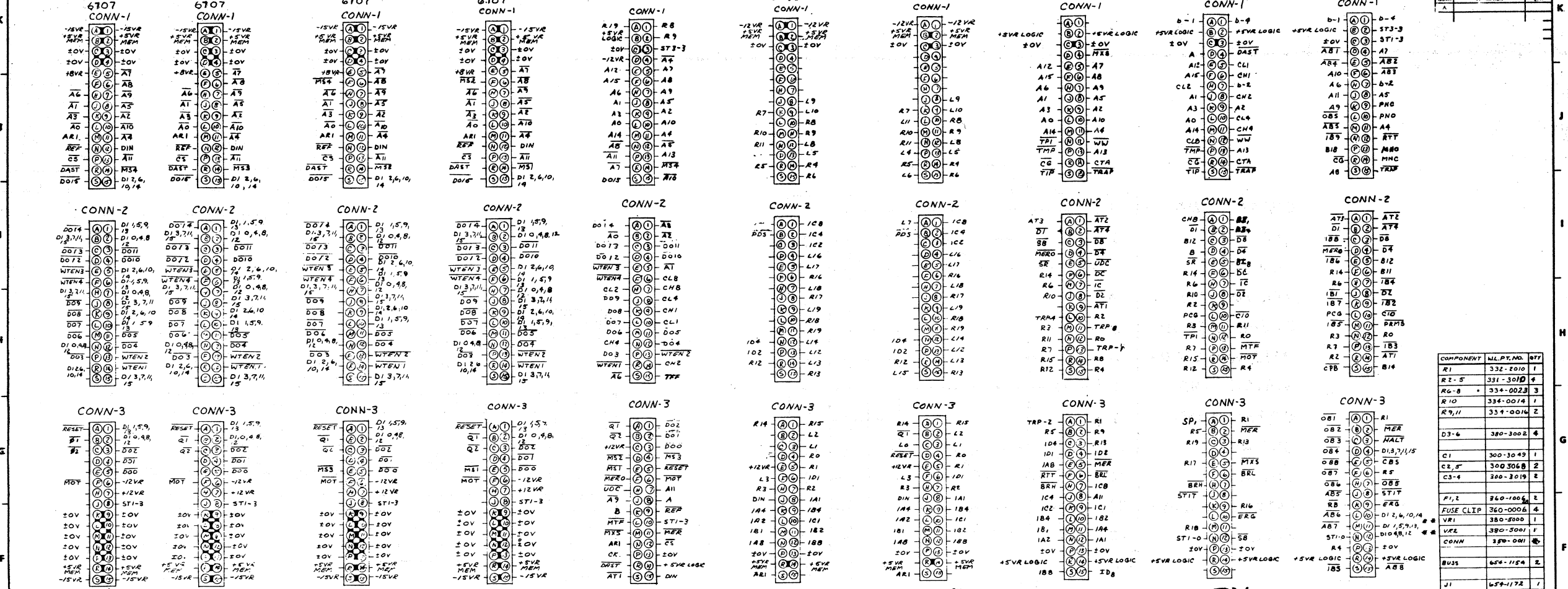
2

A

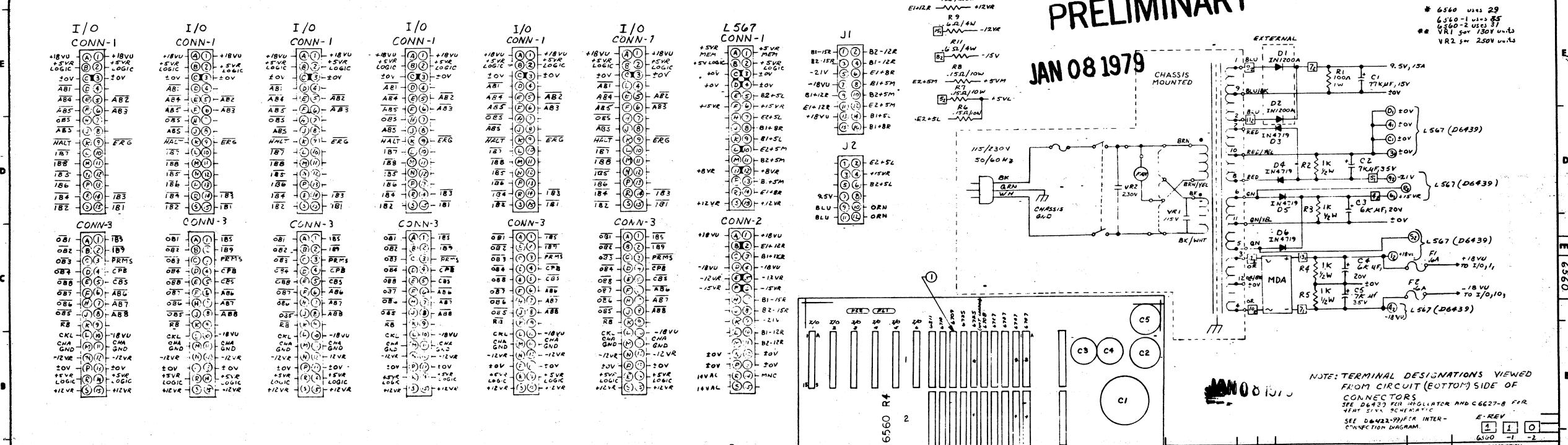
6 5 4 3 2 1

THIS DOCUMENT IS THE PROPERTY OF WANG LABORATORIES, INC. AND SHALL NOT BE REPRODUCED OR TRANSMITTED IN ANY FORM OR BY ANY MEANS, ELECTRONIC OR MECHANICAL, INCLUDING PHOTOCOPYING, RECORDING, OR BY ANY INFORMATION STORAGE AND RETRIEVAL SYSTEM, WITHOUT PERMISSION IN WRITING FROM WANG LABORATORIES, INC.

HOLE LEGEND	
DRILLED OR	HOLE DIA. TOL.
FINISHED HOLES	.015 to .125 ±.002
	.125 to .300 ±.003
	.300 to .500 ±.004
DATE: _____	
DRAWN BY: _____	
CHECKED BY: _____	
APPROVED BY: _____	



COMPONENT	ML.PT.NO.	QTY
R1	332-2010	1
R2-5	331-3010	4
R6-8	334-0023	3
R10	334-0014	1
R9,11	334-0014	2
D3-6	380-3002	4
C1	300-3049	1
C2,5	300-3068	2
C3-4	300-3019	2
F1,2	360-1006	4
FUSE CLIP	360-0006	4
VR1	380-0000	1
VR2	380-5001	1
CONN	380-0001	4
BUS5	654-1124	2
J1	654-1172	1
J2	654-1171	1



REV	DATE	BY	DESCRIPTION
1	11-23-75	WJ	REVISED PER 6560-1
2	11-23-75	WJ	REVISED PER 6560-2
3	11-23-75	WJ	REVISED PER 6560-3
4	11-23-75	WJ	REVISED PER 6560-4
5	11-23-75	WJ	REVISED PER 6560-5
6	11-23-75	WJ	REVISED PER 6560-6
7	11-23-75	WJ	REVISED PER 6560-7
8	11-23-75	WJ	REVISED PER 6560-8
9	11-23-75	WJ	REVISED PER 6560-9
10	11-23-75	WJ	REVISED PER 6560-10
11	11-23-75	WJ	REVISED PER 6560-11
12	11-23-75	WJ	REVISED PER 6560-12
13	11-23-75	WJ	REVISED PER 6560-13
14	11-23-75	WJ	REVISED PER 6560-14

REV	DATE	BY	DESCRIPTION
1	11-23-75	WJ	REVISED PER 6560-1
2	11-23-75	WJ	REVISED PER 6560-2
3	11-23-75	WJ	REVISED PER 6560-3
4	11-23-75	WJ	REVISED PER 6560-4
5	11-23-75	WJ	REVISED PER 6560-5
6	11-23-75	WJ	REVISED PER 6560-6
7	11-23-75	WJ	REVISED PER 6560-7
8	11-23-75	WJ	REVISED PER 6560-8
9	11-23-75	WJ	REVISED PER 6560-9
10	11-23-75	WJ	REVISED PER 6560-10
11	11-23-75	WJ	REVISED PER 6560-11
12	11-23-75	WJ	REVISED PER 6560-12
13	11-23-75	WJ	REVISED PER 6560-13
14	11-23-75	WJ	REVISED PER 6560-14

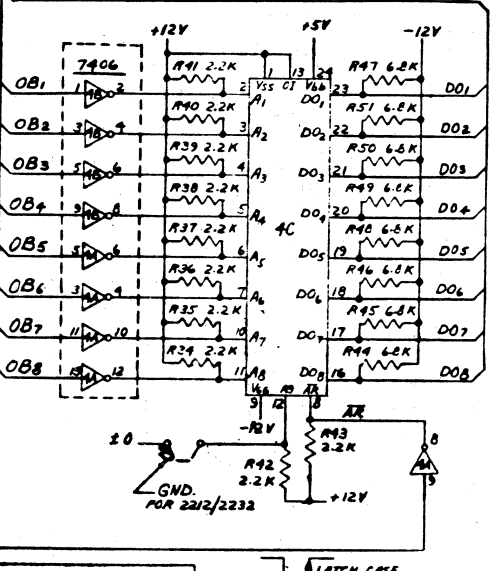
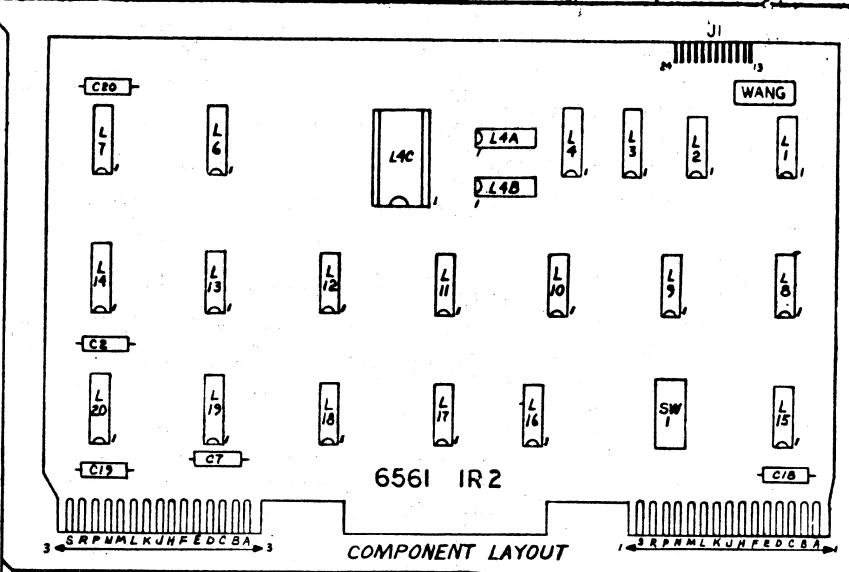
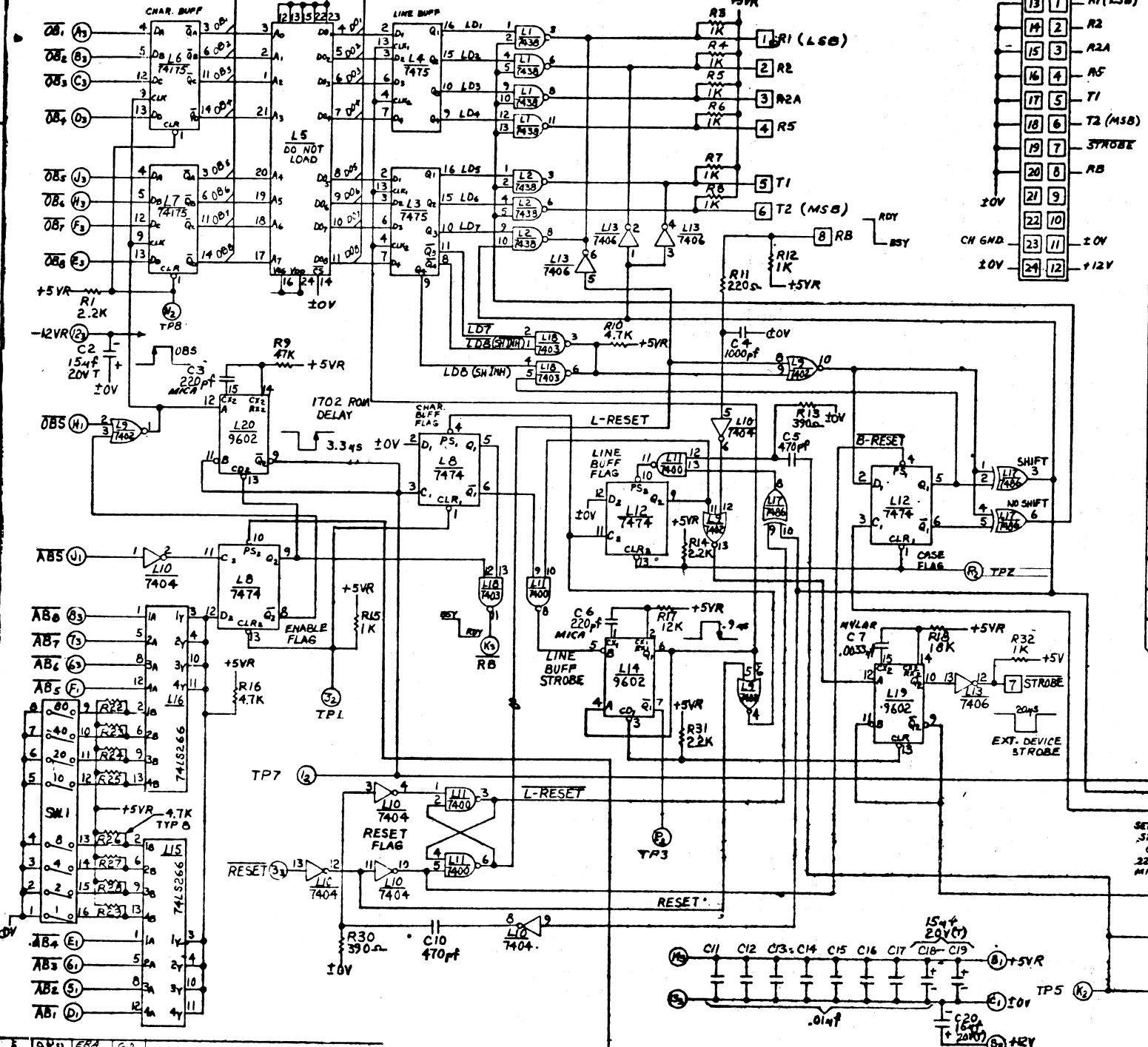
REV	DATE	BY	DESCRIPTION
1	11-23-75	WJ	REVISED PER 6560-1
2	11-23-75	WJ	REVISED PER 6560-2
3	11-23-75	WJ	REVISED PER 6560-3
4	11-23-75	WJ	REVISED PER 6560-4
5	11-23-75	WJ	REVISED PER 6560-5
6	11-23-75	WJ	REVISED PER 6560-6
7	11-23-75	WJ	REVISED PER 6560-7
8	11-23-75	WJ	REVISED PER 6560-8
9	11-23-75	WJ	REVISED PER 6560-9
10	11-23-75	WJ	REVISED PER 6560-10
11	11-23-75	WJ	REVISED PER 6560-11
12	11-23-75	WJ	REVISED PER 6560-12
13	11-23-75	WJ	REVISED PER 6560-13
14	11-23-75	WJ	REVISED PER 6560-14

WANG PART NO.	ITEM	QTY	DESCRIPTION	MATERIAL
6560-1	1	14	351-0038	CONN INSN DBL ROW
6560-2	2	14	351-0038	CONN INSN DBL ROW
6560-3	3	21	351-0011	225-21521-110
6560-4	4	21	351-0011	225-21521-110
6560-5	5	1	351-0011	225-21521-110
6560-6	6	1	351-0011	225-21521-110
6560-7	7	1	351-0011	225-21521-110
6560-8	8	1	351-0011	225-21521-110
6560-9	9	1	351-0011	225-21521-110
6560-10	10	1	351-0011	225-21521-110
6560-11	11	1	351-0011	225-21521-110
6560-12	12	1	351-0011	225-21521-110
6560-13	13	1	351-0011	225-21521-110
6560-14	14	1	351-0011	225-21521-110

NOTE: TERMINAL DESIGNATIONS VIEWED FROM CIRCUIT (BOTTOM) SIDE OF CONNECTORS. SEE D6433 FOR REGULATOR AND C6627-B FOR HEAT SINK SCHEMATIC. SEE D6433-001 FOR INTER-CONNECTION DIAGRAM.

WANG LABORATORIES, INC. MODEL NO. 2200 SLE. TITLE: SCHEMATIC FOR 6560 MOTHER BOARD. SCALE: 1/8" = 1". DATE: 11-23-75. DRAWING NUMBER: 6560-14.

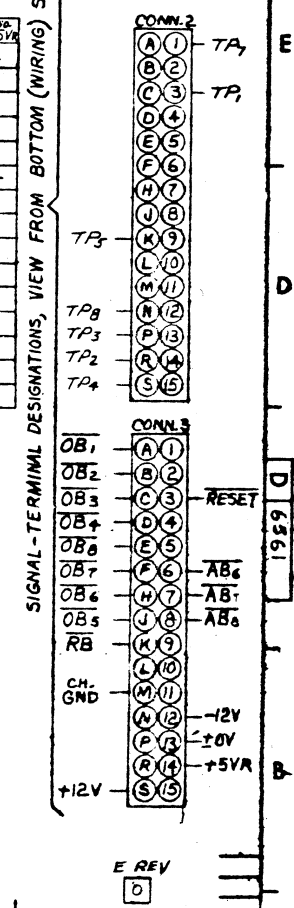
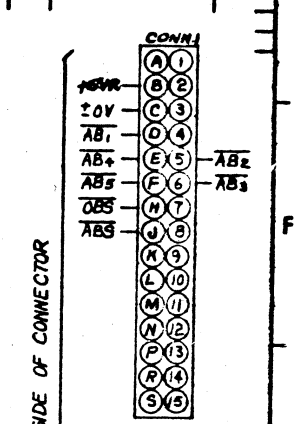
THIS DOCUMENT IS THE PROPERTY OF WANG LABORATORIES, INC. AND SHALL NOT BE REPRODUCED OR COPIED OR USED AS A BASIS FOR THE MANUFACTURE OR SALE OF APPARATUS OR DEVICES WITHOUT PERMISSION.



LOCATION	W.L. PART NO.	QTY	REV.
L4C	377-0156	—	24
L1,2	376-0128	7	14
L3,4	376-0013	12	5
L6,7	376-0119	8	16
L8,12	376-0006	7	14
L9	376-0016	7	14
L10	376-0010	7	14
L11	376-0002	7	14
L13,4A,4B	376-0055	7	14
L14,19,20	376-0104	8	16
L15,16	376-0148	7	14
L17	376-0036	7	14
L18	376-0028	7	14
L4C	376-9003	—	—

COMPONENT	W.L. PART NO.	QTY	REV.
R1, R3,33-43	330-3022	—	—
R3-8,12,15,32	330-3010	—	—
R9	330-4047	—	—
R10,16,20,22-29	330-3047	—	—
R11	330-2022	—	—
R13,30	330-2039	—	—
R17,19	330-4012	—	—
R18	330-4018	—	—
R21,44-51	330-3068	—	—
C2,18,19,20	300-4022	—	—
C3,6,8,9	300-5004	—	—
C4	300-5006	—	—
C5,10	300-1470	—	—
C7	300-2033	—	—
C11-17	300-1903	—	—
SW	325-9047	—	—
SW.1	325-1503	—	—
J1	350-1025	—	—

HOLE LEGEND	HOLE DIA.	TOL.
DRILLED OR PUNCH HOLE TOLERANCES	Ø128 ± .010	± .005
	Ø136 ± .010	± .005
	Ø144 ± .010	± .005



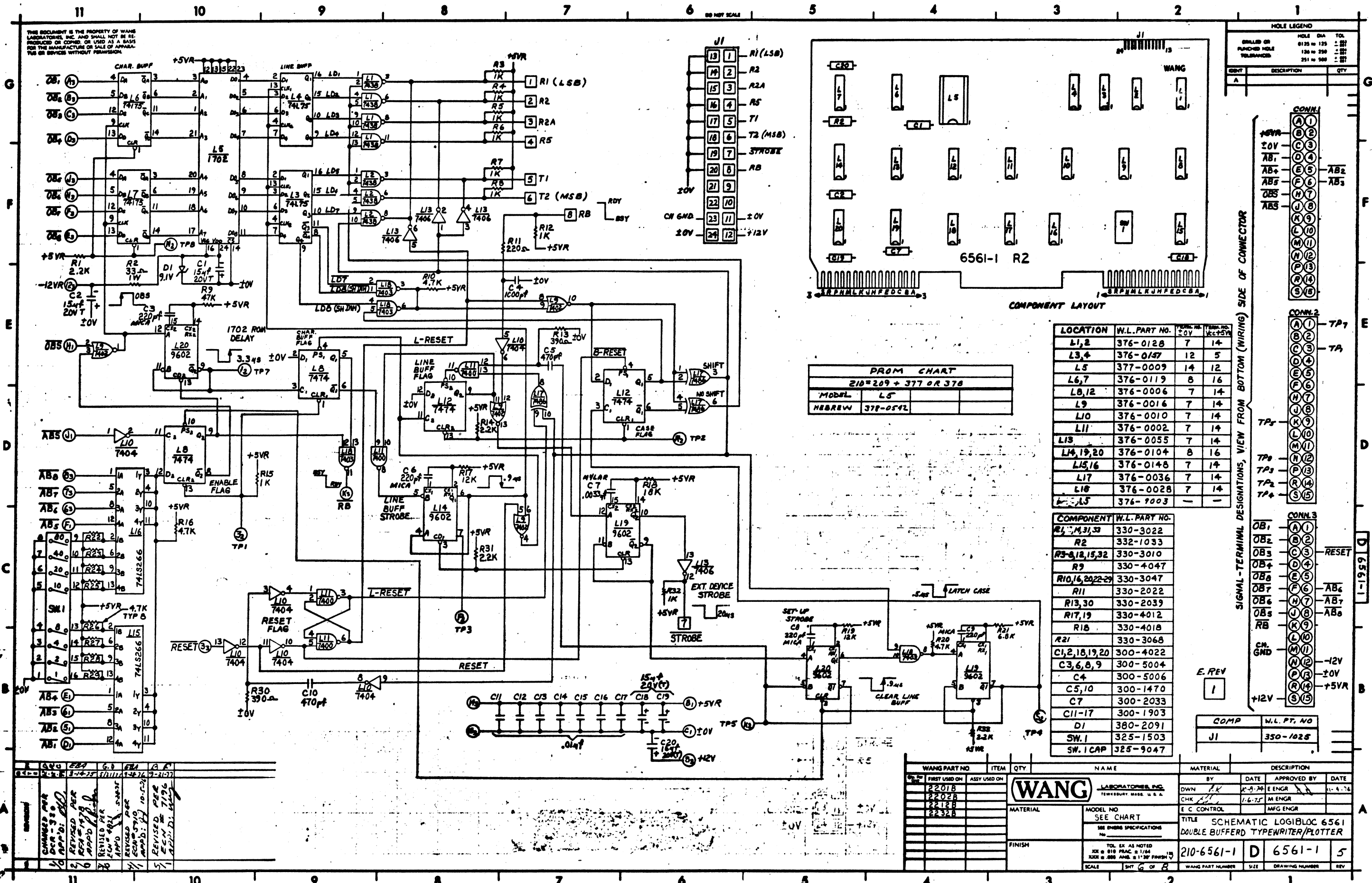
REV.	DATE	BY	DESCRIPTION
1	11-1-77	AK	CHANGED PER DCR-330
2	11-1-77	AK	REVISED PER 11-1-77
3	11-1-77	AK	REVISED PER 11-1-77
4	11-1-77	AK	REVISED PER 11-1-77
5	11-1-77	AK	REVISED PER 11-1-77

WANG PART NO.	ITEM	QTY	NAME	MATERIAL	DESCRIPTION
2201					
2202					
2212					
2232					

WANG LABORATORIES, INC.
TEMPERLEY, MASS. U.S.A.

TITLE: SCHEMATIC LOGIBLOC 6561
DOUBLE BUFFERED TYPEWRITER/PLOTTER
210-6561 D 6561 3

THIS DOCUMENT IS THE PROPERTY OF WANG LABORATORIES, INC. AND SHALL NOT BE REPRODUCED OR COPIED, OR USED AS A BASIS FOR THE MANUFACTURE OR SALE OF APPARATUS OR DEVICES WITHOUT PERMISSION.



HOLE LEGEND

DRILLED OR PUNCHED HOLE	HOLE DIA	TOL
0125 to 125	±0.005	±0.005
126 to 250	±0.005	±0.005
251 to 500	±0.005	±0.005

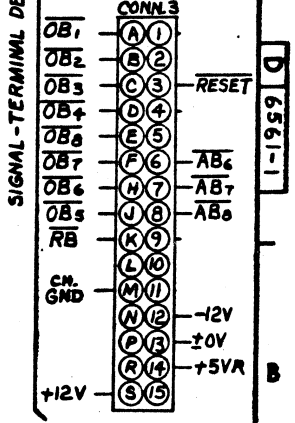
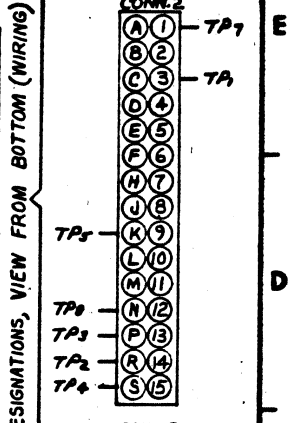
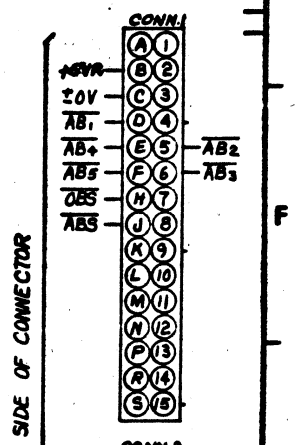
REV	DESCRIPTION	QTY
A		

PRGM CHART

MODRL	HEBREW
L5	377-0592

LOCATION	W.L. PART NO.	FORM. NO.	TEST. NO.
L1,2	376-0128	7	14
L3,4	376-0157	12	5
L5	377-0009	14	12
L6,7	376-0119	8	16
L8,12	376-0006	7	14
L9	376-0016	7	14
L10	376-0010	7	14
L11	376-0002	7	14
L13	376-0055	7	14
L14,19,20	376-0104	8	16
L15,16	376-0148	7	14
L17	376-0036	7	14
L18	376-0028	7	14
L15	376-1003	-	-

COMPONENT	W.L. PART NO.
R1, M31,33	330-3022
R2	332-1033
R3-8,12,15,32	330-3010
R9	330-4047
R10,16,20,22-29	330-3047
R11	330-2022
R13,30	330-2039
R17,19	330-4012
R18	330-4018
R21	330-3068
C1,2,18,19,20	300-4022
C3,6,8,9	300-5004
C4	300-5006
C5,10	300-1470
C7	300-2033
C11-17	300-1903
D1	380-2091
SW.1 CAP	325-9047



COMP	W.L. PT. NO.
J1	350-1025

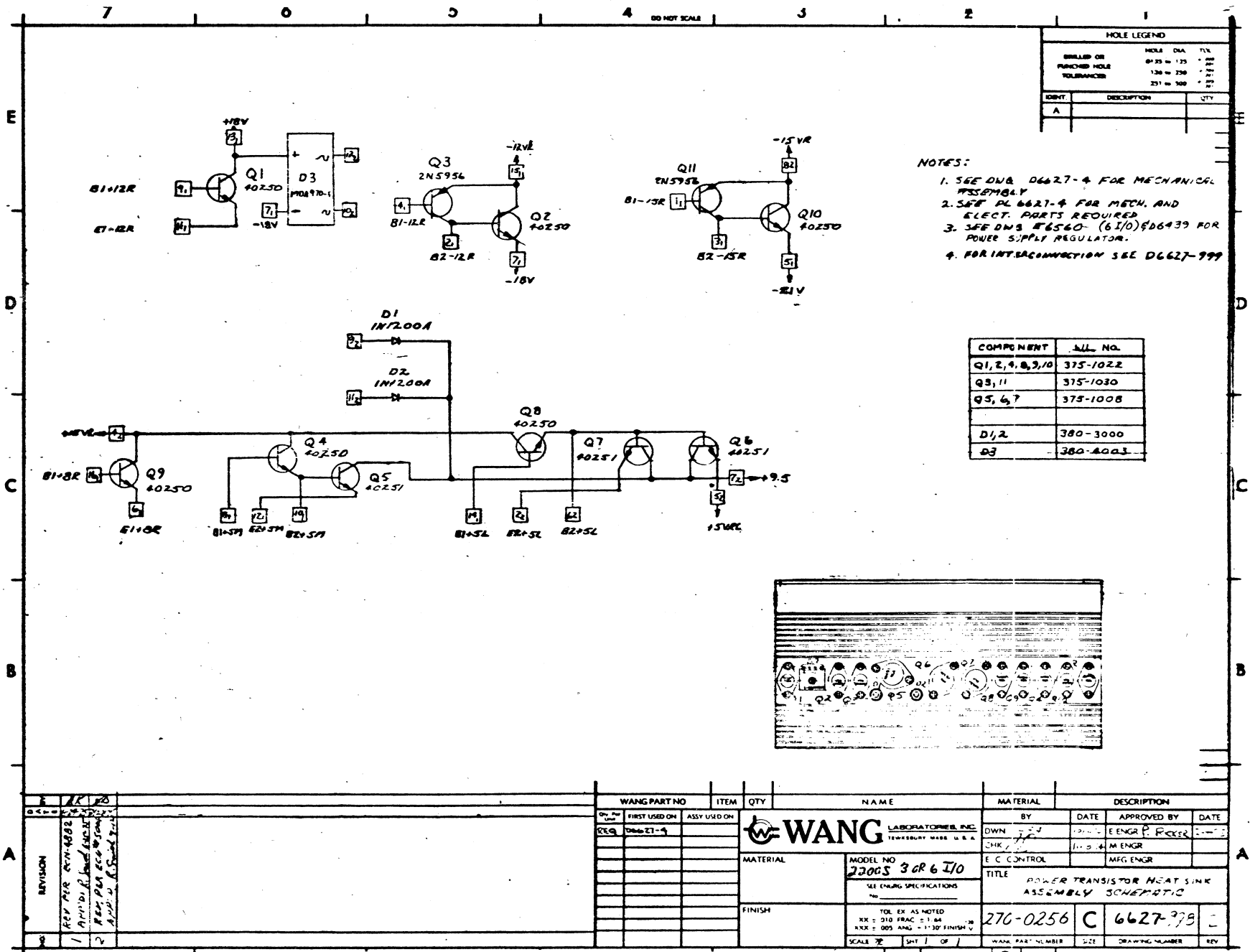
REV	DATE	BY	DESCRIPTION
1	3-14-77	WJL	REVISED PER
2	3-14-77	WJL	REVISED PER
3	3-14-77	WJL	REVISED PER
4	3-14-77	WJL	REVISED PER
5	3-14-77	WJL	REVISED PER

WANG PART NO.	ITEM	QTY	NAME	MATERIAL	DESCRIPTION
22018	FIRST USED ON				
22028	ASSY USED ON				
22128					
22328					

BY	DATE	APPROVED BY	DATE
DWN	11-3-77	E ENGR	11-4-77
CHK	1-6-75	M ENGR	
		E C CONTROL	
		MFG ENGR	

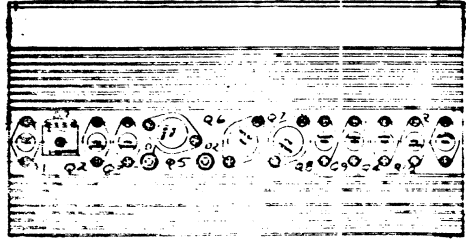
TITLE	MODEL NO.	SCALE	SHT	G	OF	B
SCHEMATIC LOGIBLOC 6561 DOUBLE BUFFERED TYPEWRITER/PLOTTER	SEE CHART					

WANG PART NUMBER	SIZE	DRAWING NUMBER	REV
210-6561-1	D	6561-1	5



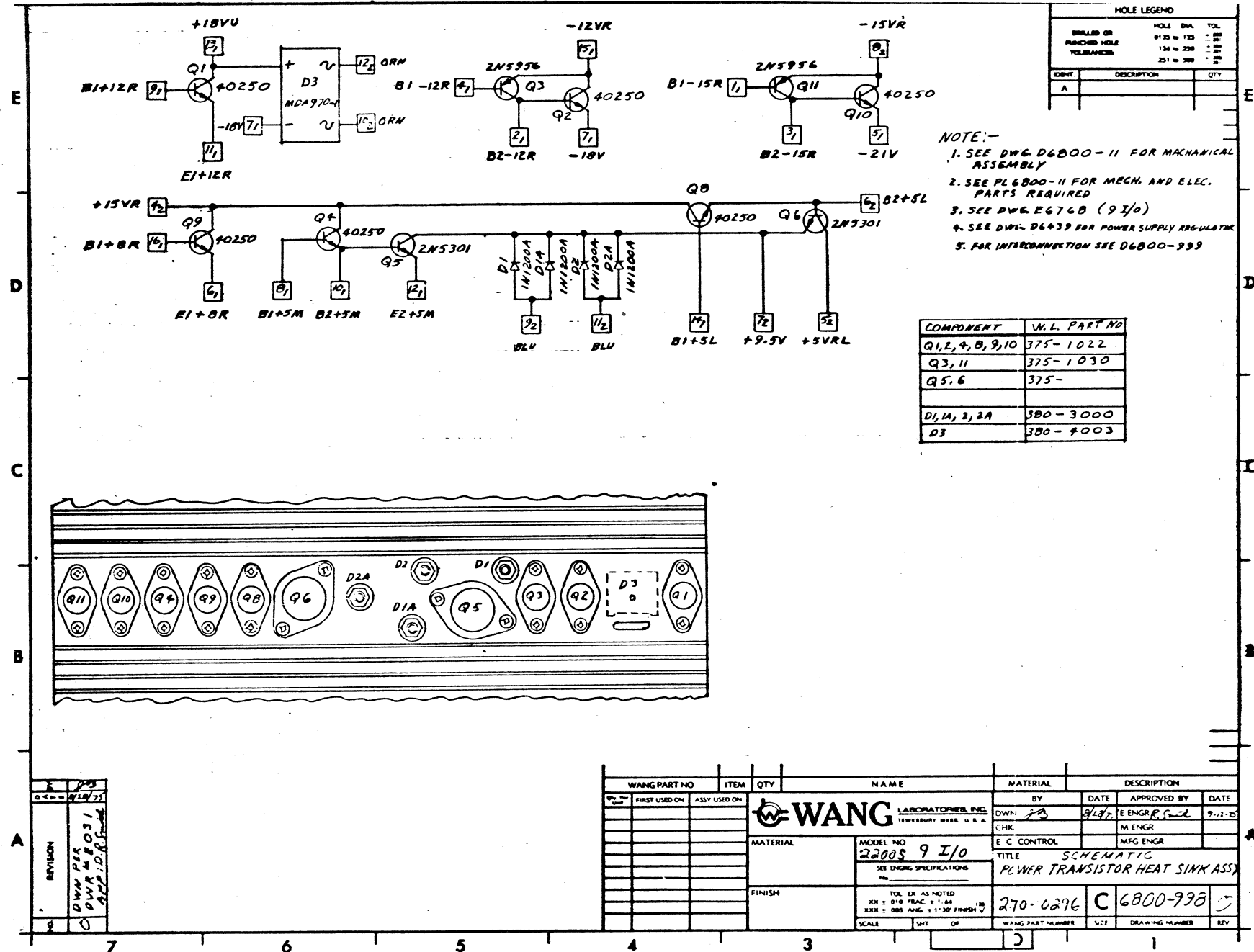
HOLE LEGEND		
DRILLED OR	HOLE DIA.	TOL.
PUNCHED HOLE	Ø.25 - .125	±.005
TOLERANCES	.125 - .250	±.010
	.251 - .500	±.015

- NOTES:
1. SEE DWG. D6627-4 FOR MECHANICAL ASSEMBLY
 2. SEE DWG. D6627-4 FOR MECH. AND ELECT. PARTS REQUIRED
 3. SEE DWG. D6540- (6/10) D66439 FOR POWER SUPPLY REGULATOR.
 4. FOR INTERCONNECTION SEE D6627-999



REVISION	DATE	BY	DESCRIPTION
1	11/25/55	DWN	REVISED FOR MECH. ASSEMBLY
2		CHK	REVISED FOR MECH. AND ELEC. PARTS REQUIRED

WANG PART NO.	ITEM	QTY	NAME	MATERIAL	DESCRIPTION
22005 306 I/O			WANG LABORATORIES, INC. TERRYBURY MASS. U.S.A.		
			MODEL NO. 22005 306 I/O		
			SEE ENGR. SPECIFICATIONS		
			TOL. EX. AS NOTED		
			XX = 0.10 FRAC. ± 1.00		
			XXX = 0.05 ANG. ± 1.30° FINISH V		
			SCALE 2:1		



HOLE LEGEND		
DRILLED OR	HOLE DIA.	TOL.
PUNCHED HOLE	Ø.25 - .125	±.005
TOLERANCES	.125 - .250	±.010
	.251 - .500	±.015

- NOTE:-
1. SEE DWG. D6800-11 FOR MECHANICAL ASSEMBLY
 2. SEE PL6800-11 FOR MECH. AND ELEC. PARTS REQUIRED
 3. SEE DWG. E6768 (9 I/O)
 4. SEE DWG. D6439 FOR POWER SUPPLY REGULATOR
 5. FOR INTERCONNECTION SEE D6800-999

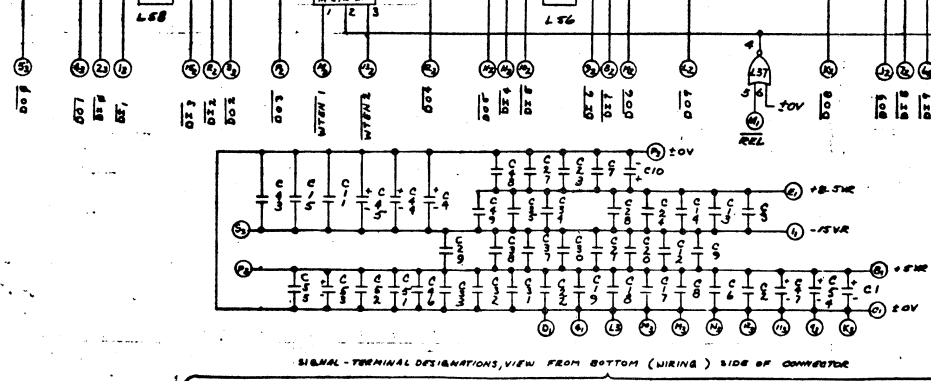
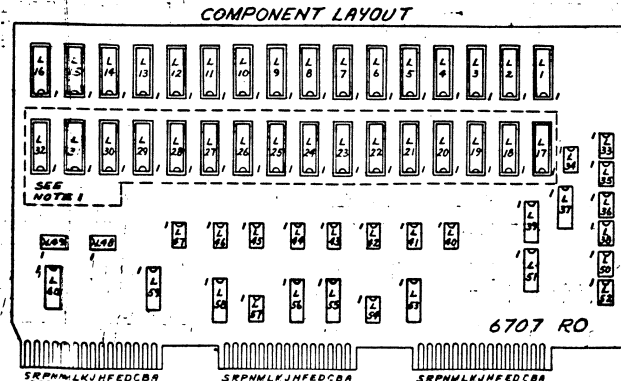
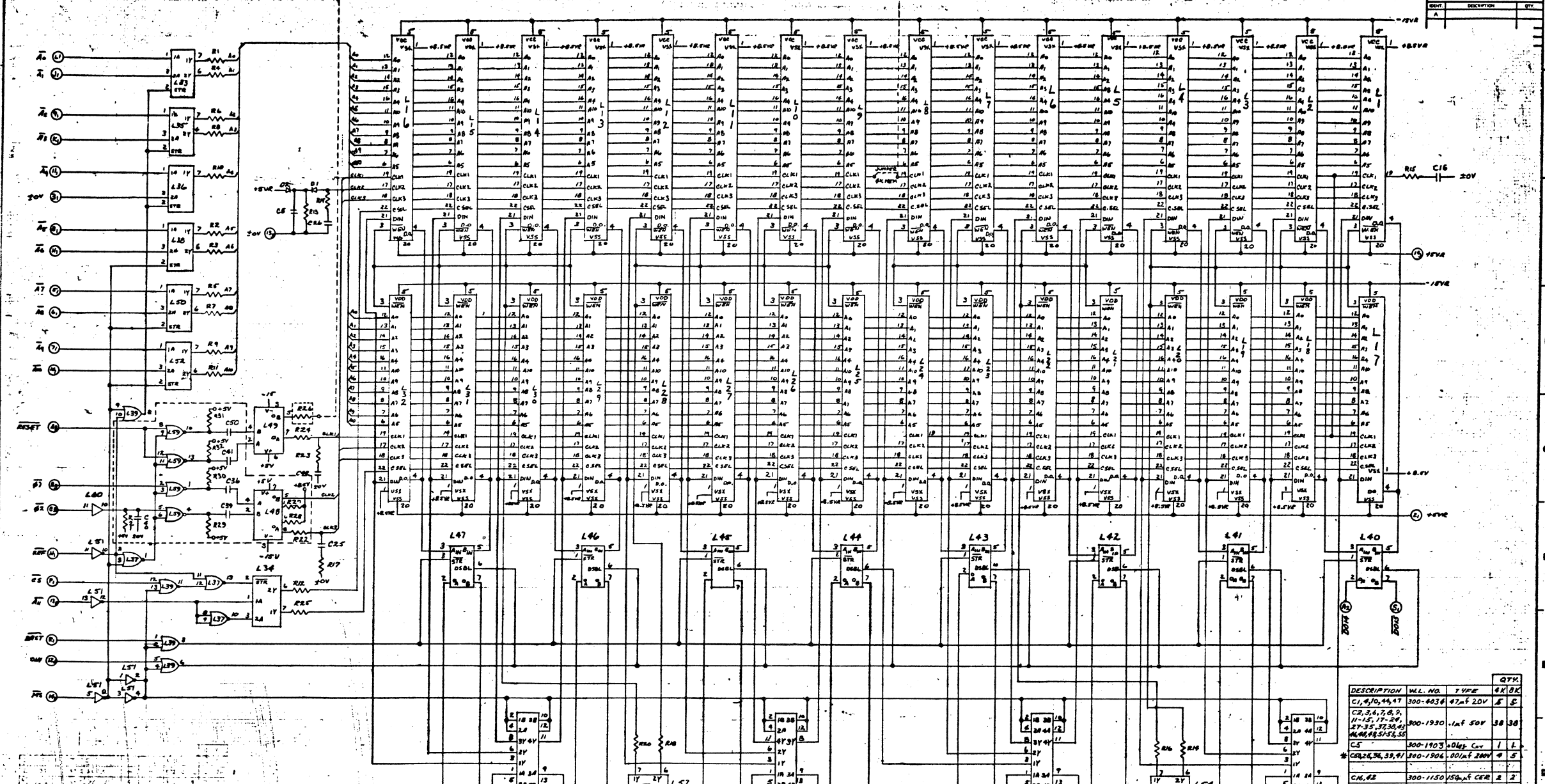
REVISION	DATE	BY	DESCRIPTION
1	11/25/55	DWN	REVISED FOR MECH. ASSEMBLY
2		CHK	REVISED FOR MECH. AND ELEC. PARTS REQUIRED

WANG PART NO.	ITEM	QTY	NAME	MATERIAL	DESCRIPTION
22005 9 I/O			WANG LABORATORIES, INC. TERRYBURY MASS. U.S.A.		
			MODEL NO. 22005 9 I/O		
			SEE ENGR. SPECIFICATIONS		
			TOL. EX. AS NOTED		
			XX = 0.10 FRAC. ± 1.00		
			XXX = 0.05 ANG. ± 1.30° FINISH V		
			SCALE 2:1		

THIS DOCUMENT IS THE PROPERTY OF WANG
 LABORATORIES, INC. AND SHALL NOT BE
 REPRODUCED OR TRANSMITTED IN ANY
 FORM OR BY ANY MEANS, ELECTRONIC
 OR MECHANICAL, INCLUDING PHOTOCOPYING,
 RECORDING, OR BY ANY INFORMATION
 STORAGE AND RETRIEVAL SYSTEM,
 WITHOUT PERMISSION FROM WANG
 LABORATORIES, INC.

HOLE LEGEND

HOLE DIA.	TYPE	QTY.
0.0625	DRILL	1
0.125	DRILL	1
0.1875	DRILL	1
0.25	DRILL	1
0.3125	DRILL	1
0.375	DRILL	1
0.4375	DRILL	1
0.5	DRILL	1
0.5625	DRILL	1
0.625	DRILL	1
0.6875	DRILL	1
0.75	DRILL	1
0.8125	DRILL	1
0.875	DRILL	1
0.9375	DRILL	1
1.0	DRILL	1
1.0625	DRILL	1
1.125	DRILL	1
1.1875	DRILL	1
1.25	DRILL	1
1.3125	DRILL	1
1.375	DRILL	1
1.4375	DRILL	1
1.5	DRILL	1
1.5625	DRILL	1
1.625	DRILL	1
1.6875	DRILL	1
1.75	DRILL	1
1.8125	DRILL	1
1.875	DRILL	1
1.9375	DRILL	1
2.0	DRILL	1
2.0625	DRILL	1
2.125	DRILL	1
2.1875	DRILL	1
2.25	DRILL	1
2.3125	DRILL	1
2.375	DRILL	1
2.4375	DRILL	1
2.5	DRILL	1
2.5625	DRILL	1
2.625	DRILL	1
2.6875	DRILL	1
2.75	DRILL	1
2.8125	DRILL	1
2.875	DRILL	1
2.9375	DRILL	1
3.0	DRILL	1
3.0625	DRILL	1
3.125	DRILL	1
3.1875	DRILL	1
3.25	DRILL	1
3.3125	DRILL	1
3.375	DRILL	1
3.4375	DRILL	1
3.5	DRILL	1
3.5625	DRILL	1
3.625	DRILL	1
3.6875	DRILL	1
3.75	DRILL	1
3.8125	DRILL	1
3.875	DRILL	1
3.9375	DRILL	1
4.0	DRILL	1
4.0625	DRILL	1
4.125	DRILL	1
4.1875	DRILL	1
4.25	DRILL	1
4.3125	DRILL	1
4.375	DRILL	1
4.4375	DRILL	1
4.5	DRILL	1
4.5625	DRILL	1
4.625	DRILL	1
4.6875	DRILL	1
4.75	DRILL	1
4.8125	DRILL	1
4.875	DRILL	1
4.9375	DRILL	1
5.0	DRILL	1



LOCATION	TYPE	GND	VCC	W.L. NO.	QTY.
L1-32	AMS 6003	-	-	377-0016 16	32
L33-34, 36, 38, 40, 42, 44, 46, 48, 50, 52, 54, 56, 58, 60, 62	SN74360N	4	0	376-0110 9	9
L37, 39	SN7402N	7	14	376-0006 2	2
L35, 53, 55, 57, 59	SN7432N	7	14	376-0093 5	5
L40-47	NOTES	4	0	376-0130 8	8
L48	DS0056	-	-	376-0973 1	1
L49	MH0026	-	-	376-0114 1	1
L57	SN7400N	7	14	376-0045 1	1
L60	SN7407N	7	14	376-0056 1	1
L1-32	12 PIN I.C. SKT	-	-	376-3010 16	32

DESCRIPTION	W.L. NO.	TYPE	QTY.
C1, 470, 44, 47	330-4034	47µF 20V	5
C2, 34, 7, 8, 9, 11-15, 17-24, 27-35, 37, 38, 43, 44, 45, 46, 51, 55	300-1930	1µF 50V	38
C5	300-1903	0.01µF CVT	1
C6, 24, 36, 39, 41	300-1906	0.01µF 200V	5
C6, 42	300-1150	100µF CER	2
C25	300-1220	100µF CER	1
C45, 54	300-4006	22µF 36V	2
C40	300-1082	82µF CVT	1
D1, 2	300-1005	1M407 DIODE	2

DESCRIPTION	W.L. NO.	TYPE	QTY.
R1-12, 22, 25	330-1011	10K 1/4W 5%	13
R13	330-2010	100K 1/4W 5%	1
R14, 16, 20	330-403	22K 1/4W 5%	4
R15	330-1039	32K 1/4W 5%	1
R17	330-1047	47K 1/4W 5%	1
R19	330-1027	27K 1/4W 5%	1
R21	330-3020	20K 1/4W 5%	1
R23	330-1082	82K 1/4W 5%	1
R24	330-1016	16K 1/4W 5%	1
R27, 28	330-3018	18K 1/4W 5%	2
R26	330-1008	8K 1/4W 5%	1
R29-32	330-3027	27K 1/4W 5%	4

NOTE 1: * DELETE THE FOLLOWING COMPONENTS TO MAKE A 4K MEMORY W.L. # 210-6707, L1 THRU L32, R25, 26, 31 AND C50

REVISION

NO.	DATE	DESCRIPTION
1	11/17/71	ISSUED FOR FAB
2	11/17/71	REVISED FOR FAB
3	11/17/71	REVISED FOR FAB
4	11/17/71	REVISED FOR FAB
5	11/17/71	REVISED FOR FAB
6	11/17/71	REVISED FOR FAB
7	11/17/71	REVISED FOR FAB
8	11/17/71	REVISED FOR FAB
9	11/17/71	REVISED FOR FAB
10	11/17/71	REVISED FOR FAB
11	11/17/71	REVISED FOR FAB
12	11/17/71	REVISED FOR FAB
13	11/17/71	REVISED FOR FAB
14	11/17/71	REVISED FOR FAB

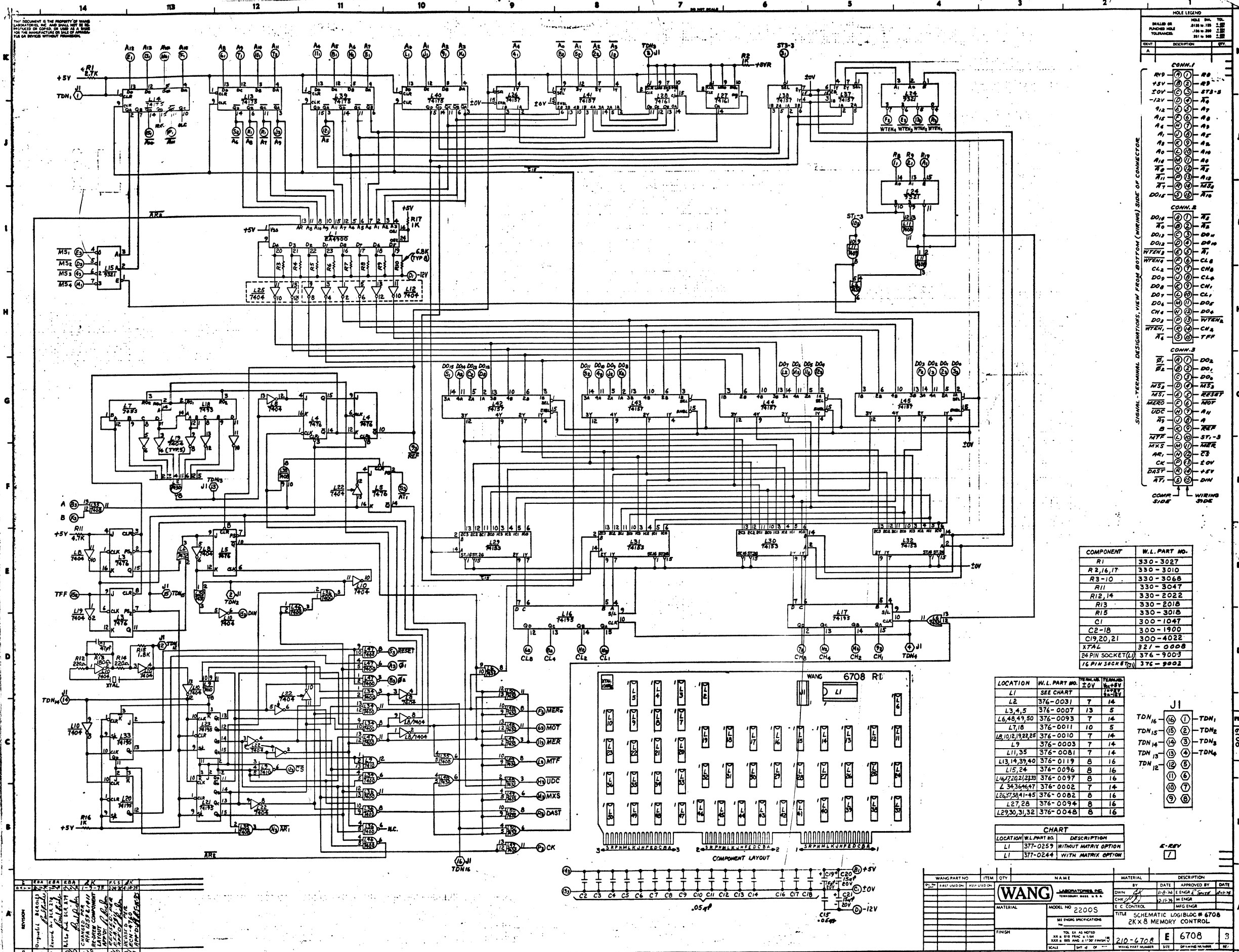
WANG LABORATORIES, INC.

22005

210-6707-1

6707

4



THIS DOCUMENT IS THE PROPERTY OF WANG LABORATORIES, INC. AND SHALL BE LOANED OR COPIED ON USER'S BEHALF FOR THE MANUFACTURE OR REPAIR OF THE EQUIPMENT FROM WHICH IT WAS OBTAINED. IT IS NOT TO BE REPRODUCED OR COPIED IN ANY MANNER WITHOUT THE WRITTEN PERMISSION OF WANG LABORATORIES, INC.

REVISION	DESCRIPTION	DATE	BY
1	REVISED AS SHOWN	11-15-73	M. J. ...
2	REVISED AS SHOWN	11-15-73	M. J. ...
3	REVISED AS SHOWN	11-15-73	M. J. ...
4	REVISED AS SHOWN	11-15-73	M. J. ...
5	REVISED AS SHOWN	11-15-73	M. J. ...
6	REVISED AS SHOWN	11-15-73	M. J. ...
7	REVISED AS SHOWN	11-15-73	M. J. ...
8	REVISED AS SHOWN	11-15-73	M. J. ...
9	REVISED AS SHOWN	11-15-73	M. J. ...
10	REVISED AS SHOWN	11-15-73	M. J. ...
11	REVISED AS SHOWN	11-15-73	M. J. ...
12	REVISED AS SHOWN	11-15-73	M. J. ...
13	REVISED AS SHOWN	11-15-73	M. J. ...
14	REVISED AS SHOWN	11-15-73	M. J. ...

HOLE LEGEND

DIET	DESCRIPTION	QTY
A		

WIRE NO.	TERMINAL	SIGNAL
R19	①	RS
+5V	②	RS
+20V	③	ST-3
+12V	④	RS
R12	⑤	RS
R15	⑥	RS
R1	⑦	RS
R2	⑧	RS
R3	⑨	RS
R4	⑩	RS
R5	⑪	RS
R6	⑫	RS
R7	⑬	RS
R8	⑭	RS
R9	⑮	RS
R10	⑯	RS
R11	⑰	RS
R13	⑱	RS
R14	⑲	RS
DO18	⑳	RS

WIRE NO.	TERMINAL	SIGNAL
DO16	①	RS
R6	②	RS
DO17	③	DO#
DO15	④	DO#
WTEN3	⑤	RS
WTEN4	⑥	CL#
CL2	⑦	CH#
DO9	⑧	CL#
DO8	⑨	CL#
DO7	⑩	CL#
DO6	⑪	DO#
CH4	⑫	DO#
DO3	⑬	WTEN#
WTEN1	⑭	CH#
R4	⑮	TFF

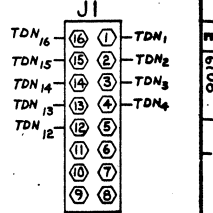
WIRE NO.	TERMINAL	SIGNAL
R2	①	DO#
R3	②	DO#
R4	③	DO#
WTEN3	④	WTEN#
WTEN4	⑤	RESET
WTEN5	⑥	MOT
UDC	⑦	RS
R5	⑧	RS
R6	⑨	RES
TFF	⑩	ST-3
WTEN1	⑪	WTEN#
WTEN2	⑫	RS
CL	⑬	+20V
DAST	⑭	+5V
R7	⑮	DW

WIRE NO.	TERMINAL	SIGNAL
R19	①	RS
+5V	②	RS
+20V	③	ST-3
+12V	④	RS
R12	⑤	RS
R15	⑥	RS
R1	⑦	RS
R2	⑧	RS
R3	⑨	RS
R4	⑩	RS
R5	⑪	RS
R6	⑫	RS
R7	⑬	RS
R8	⑭	RS
R9	⑮	RS
R10	⑯	RS
R11	⑰	RS
R13	⑱	RS
R14	⑲	RS
DO18	⑳	RS

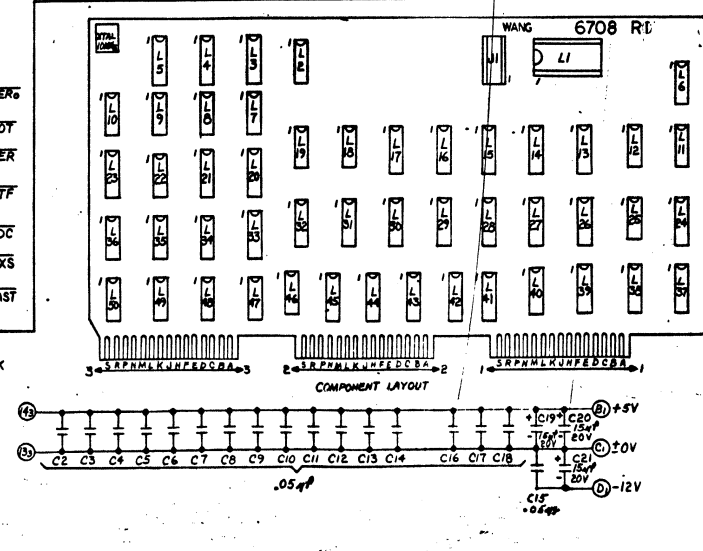
COMPONENT	W.L. PART NO.
R1	330-3027
R2, R6, R7	330-3010
R3-10	330-3068
R11	330-3047
R12, R4	330-2022
R13	330-2018
R15	330-3018
C1	300-1047
C2-18	300-1900
C19, 20, 21	300-4022
X74L	321-0008
24 PIN SOCKET(L)	376-9003
16 PIN SOCKET(R)	376-9902

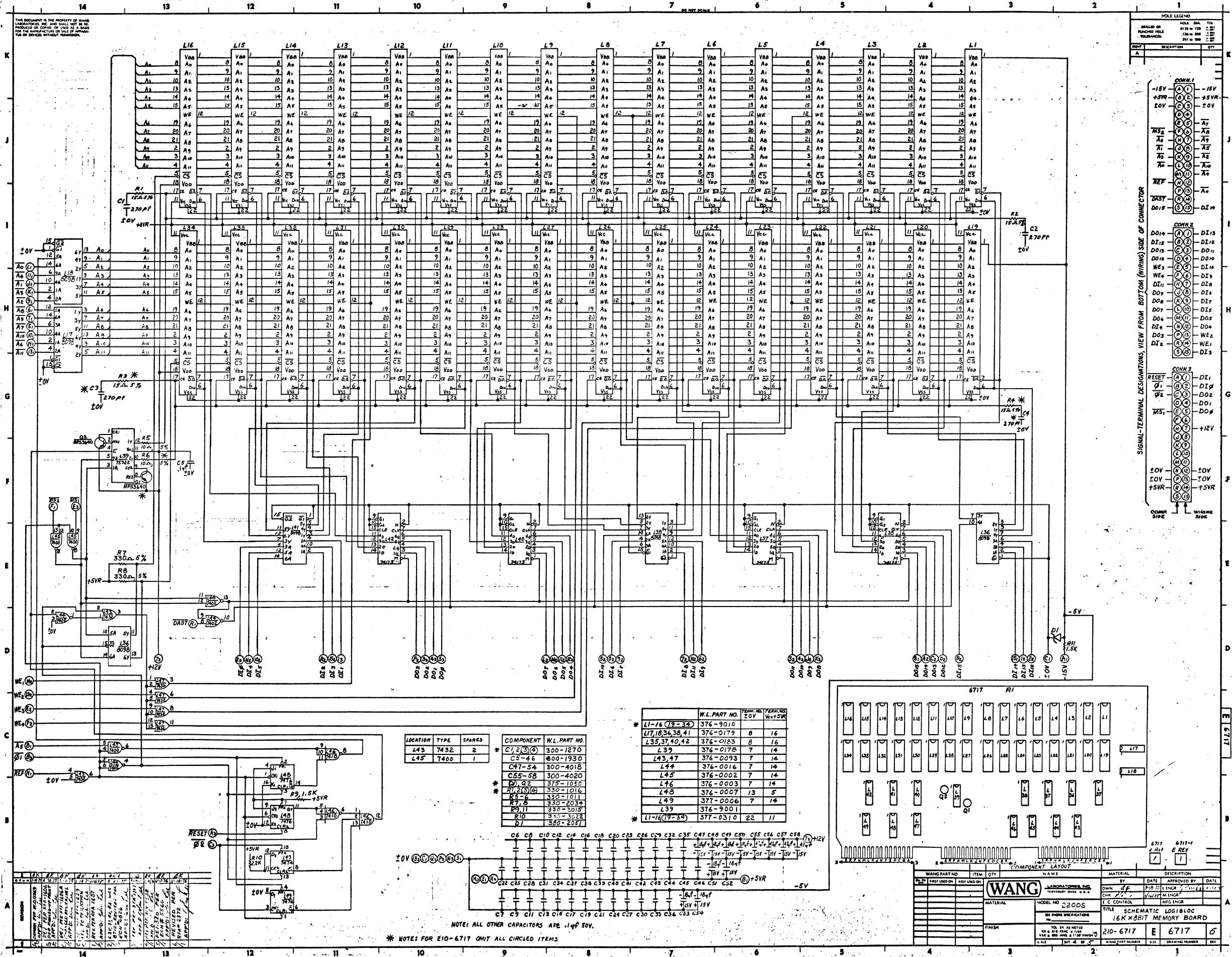
L1	SEE CHART	7	14
L3, 4, 5	376-0007	13	5
L6, 48, 49, 50	376-0093	7	14
L7, 18	376-0011	10	5
L8, 19, 20, 21, 22, 23	376-0010	7	14
L9	376-0003	7	14
L11, 35	376-0081	7	14
L13, 14, 39, 40	376-0119	8	16
L15, 24	376-0096	8	16
L16, 20, 21, 22, 23	376-0097	8	16
L24, 36, 45, 47	376-0002	7	14
L26, 37, 38, 41-45	376-0082	8	16
L27, 28	376-0094	8	16
L29, 30, 31, 32	376-0048	8	16

LOCATION	W.L. PART NO.	DESCRIPTION
L1	377-0259	WITHOUT MATRIX OPTION
L1	377-0244	WITH MATRIX OPTION



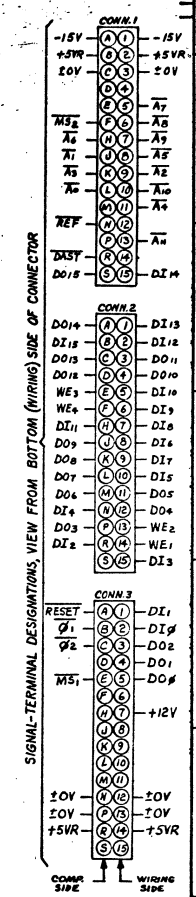
WANG PART NO.	ITEM	QTY	NAME	MATERIAL	DESCRIPTION
6708	1		WANG		
APPROVED BY: DATE: 11-23-73					
CHECKED BY: DATE: 11-23-73					
MATERIAL: MODEL NO. 22005					
FINISH: TITLE: SCHEMATIC LOGIC BLOCK # 6708					
SCALE: 2:10-6708 E 6708 3					





HOLE LEGEND

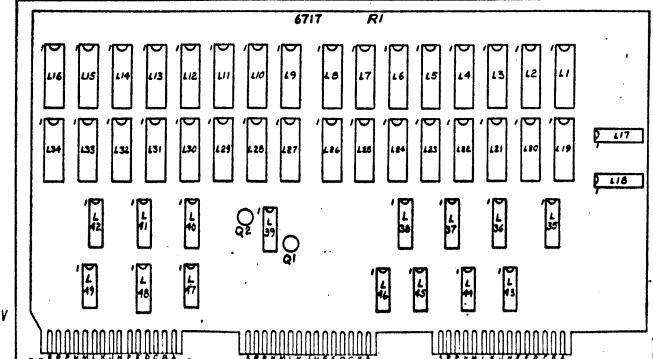
DRILL OR PUNCH HOLE	SIZE	NO.	LOC.
1	.125	12	12
2	.125	12	2
3	.125	12	3
4	.125	12	4
5	.125	12	5



LOCATION	TYPE	SPARES
L43	7432	2
L45	7400	1

COMPONENT	W.L. PART NO.	QTY
C1, 2, 3, 4	300-1270	8
C5-46	300-1930	8
C47-54	300-4018	8
C55-58	300-4020	8
R2	375-1050	1
R3	330-1016	1
R4	330-1011	1
R5	330-2034	1
R9	330-3015	1
R10	330-3022	1
R11	330-2537	1

W.L. PART NO.	QTY	REMARKS
L1-16 (19-34)	376-9010	8
L17, 18, 35, 41	376-0179	8
L35, 37, 40, 42	376-0183	8
L39	376-0178	7
L43, 47	376-0093	7
L44	376-0016	7
L45	376-0002	7
L46	376-0003	7
L48	376-0007	13
L49	377-0006	7
L39	376-9001	7
L1-16 (19-34)	377-0310	22

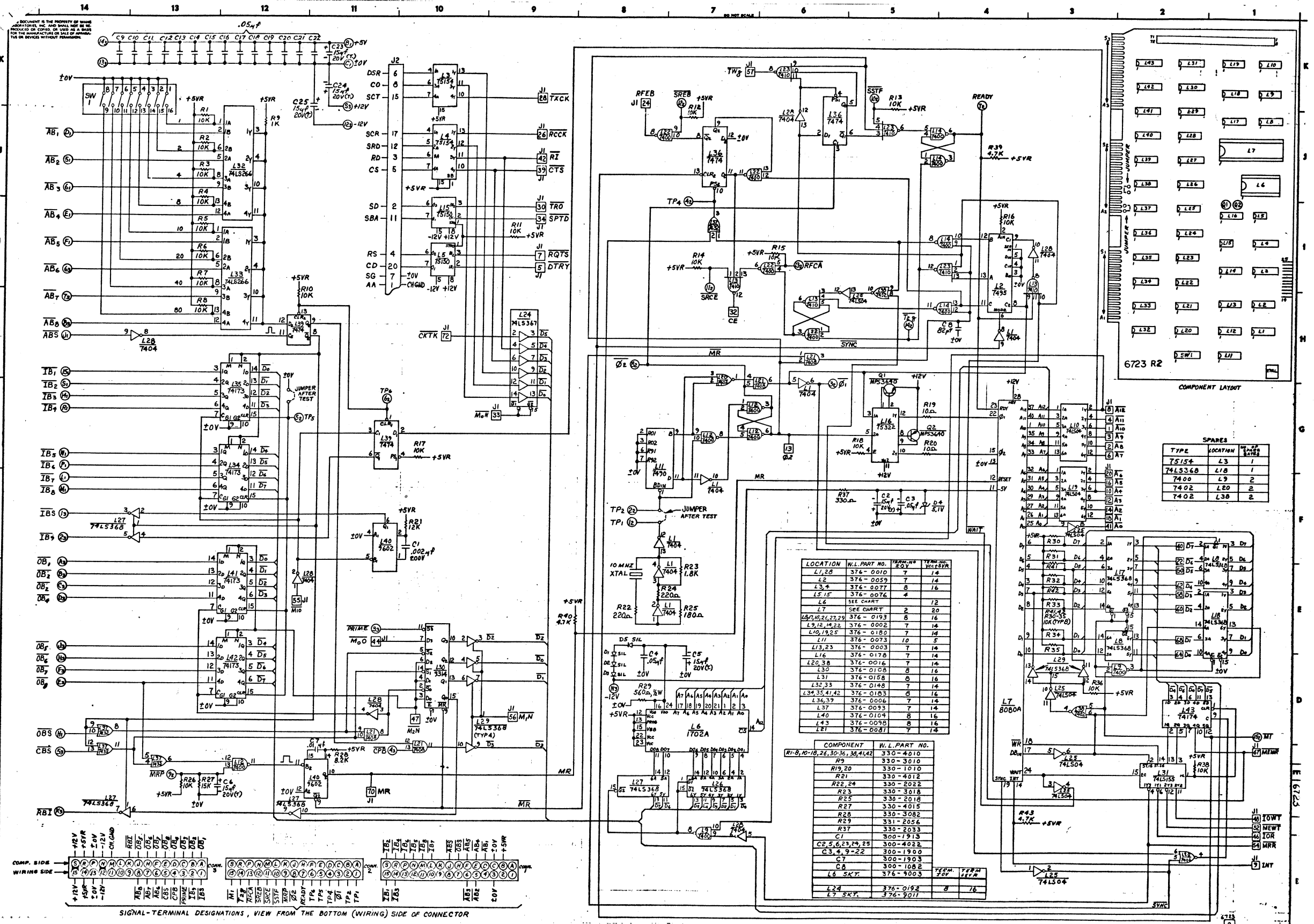


REV.	DATE	BY	DESCRIPTION
1			
2			
3			
4			
5			
6			
7			
8			
9			
10			
11			
12			
13			
14			

NOTE: ALL OTHER CAPACITORS ARE .1μF 50V.

* NOTES FOR 210-6717 OMIT ALL CIRCLED ITEMS

WANG PART NO.	ITEM	QTY	NAME	MATERIAL	DESCRIPTION
210-6717			16K X 8BIT MEMORY BOARD		
WANG			LABORATORIES, INC.	DATE: 6/71	
210-6717			SCHEMATIC LOGIC LOC	E 6717	
210-6717			16K X 8BIT MEMORY BOARD	G 6717	



REVISION

NO.	DESCRIPTION	DATE	BY
1	ISSUED FOR FABRICATION	6-27-57	W. J. W.
2	REVISED TO CORRECT ERROR IN PARTS LIST	7-1-57	W. J. W.
3	REVISED TO CORRECT ERROR IN PARTS LIST	7-1-57	W. J. W.
4	REVISED TO CORRECT ERROR IN PARTS LIST	7-1-57	W. J. W.
5	REVISED TO CORRECT ERROR IN PARTS LIST	7-1-57	W. J. W.
6	REVISED TO CORRECT ERROR IN PARTS LIST	7-1-57	W. J. W.
7	REVISED TO CORRECT ERROR IN PARTS LIST	7-1-57	W. J. W.
8	REVISED TO CORRECT ERROR IN PARTS LIST	7-1-57	W. J. W.
9	REVISED TO CORRECT ERROR IN PARTS LIST	7-1-57	W. J. W.
10	REVISED TO CORRECT ERROR IN PARTS LIST	7-1-57	W. J. W.
11	REVISED TO CORRECT ERROR IN PARTS LIST	7-1-57	W. J. W.
12	REVISED TO CORRECT ERROR IN PARTS LIST	7-1-57	W. J. W.
13	REVISED TO CORRECT ERROR IN PARTS LIST	7-1-57	W. J. W.
14	REVISED TO CORRECT ERROR IN PARTS LIST	7-1-57	W. J. W.

PROM CHART

MODEL	210	L6	L7
9002	6723B	376-0507	377-0245
8002-1	6723C	376-0545	377-0246
2228	6723A	376-0545	377-0246

COMPONENT

COMPONENT	W.L. PART NO.	QTY	TEST	FORM
R1-8, 10-18, 26, 30-36, 38, 41, 42	330-4010			
R9	330-3010			
R19, 20	330-1010			
R21	330-4012			
R22, 24	330-2022			
R23	330-3018			
R25	330-2018			
R27	330-4015			
R28	330-3022			
R29	331-2026			
R37	330-2033			
C1	300-1913			
C3, 5, 6, 23, 24, 25	300-4022			
C4, 9, 9-22	300-1900			
C7	300-1903			
CA	300-1082			
L6 SKT.	376-9003			
L24	376-0192			
L7 SKT.	376-9011			

PARTS LIST CONTINUED

COMPONENT	W.L. PART NO.	QTY	TEST	FORM
J1	330-0029M			
D1, 2, 3, 5	380-1001			
D4	380-2022			
R28	321-0008			
Q1, 2	375-1050			
SW1	325-1503			
SW1 CAP	325-9047			
R37, 40, 43	330-3047			

WANG PART NO. ITEM QTY NAME MATERIAL

WANG PART NO.	ITEM	QTY	NAME	MATERIAL	DATE	APPROVED BY	DATE
209-6723	E	6723	B1 SYNC, CPU'S INTERFACE CARD		6-27-57	W. J. W.	
6723	E	6723	B1 SYNC, CPU'S INTERFACE CARD		6-27-57	W. J. W.	

SPARES

TYPE	LOCATION	QTY
75154	L3	1
74LS36B	L1B	1
7400	L9	2
7402	L20	2
7402	L30	2

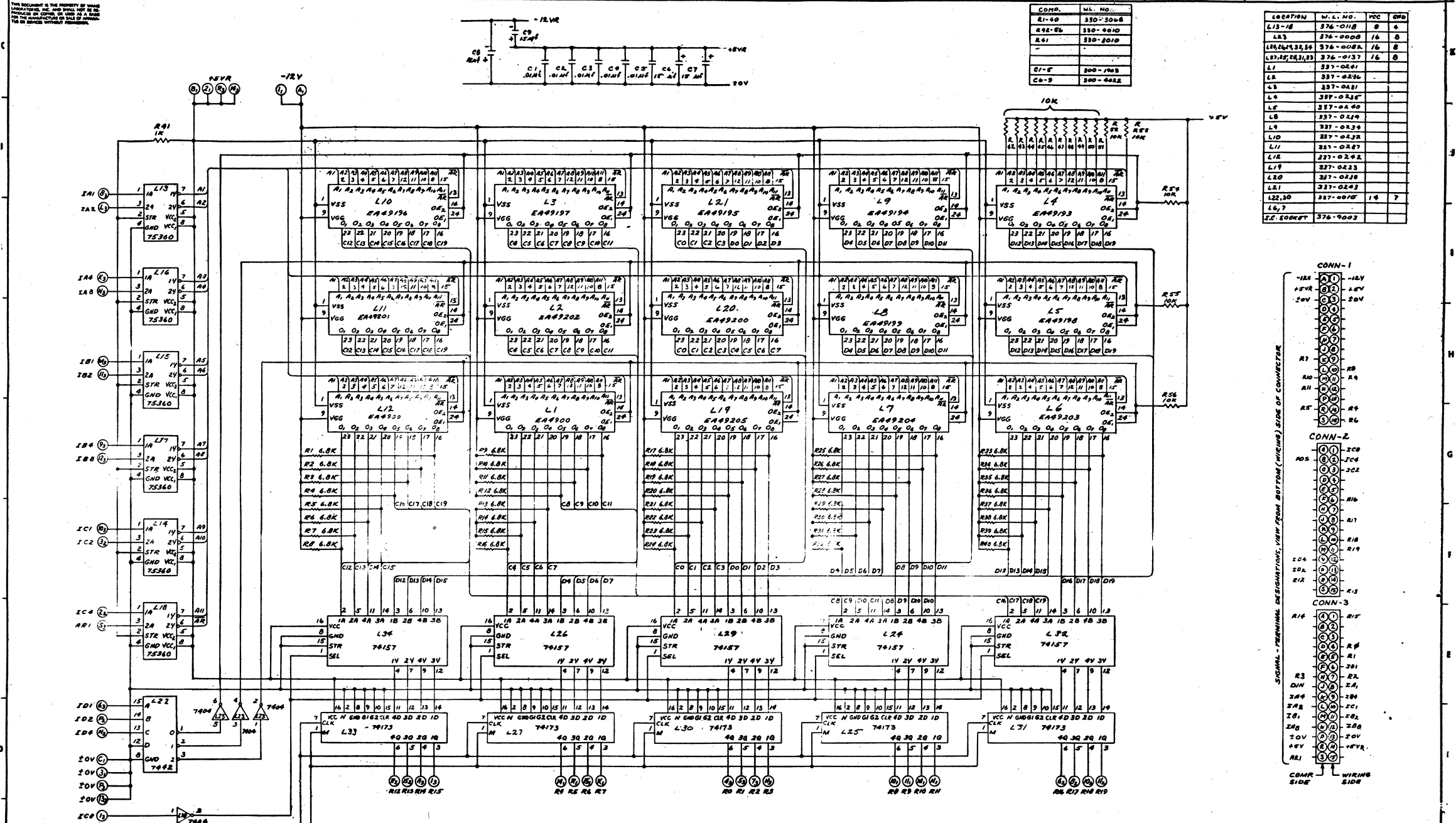
LOCATION W.L. PART NO. TEST FORM

LOCATION	W.L. PART NO.	TEST	FORM
L1, 2B	376-0010	7	14
L2	376-0059	7	14
L3, 4	376-0077	8	16
L5, 15	376-0076	4	16
L6	SEE CHART		12
L7	SEE CHART	2	20
L8, 10, 22, 27, 29	376-0193	8	16
L9, 12, 14, 28	376-0002	7	14
L10, 19, 25	376-0180	7	14
L11	376-0073	10	5
L13, 23	376-0003	7	14
L16	376-0178	7	14
L20, 38	376-0016	7	14
L30	376-0108	8	16
L31	376-0158	8	16
L32, 33	376-0148	7	14
L34, 35, 41, 42	376-0183	8	16
L36, 39	376-0006	7	14
L37	376-0093	7	14
L40	376-0104	8	16
L43	376-0098	8	16
L47	376-0098	8	16
L48	376-0081	7	14

COMPONENT W.L. PART NO.

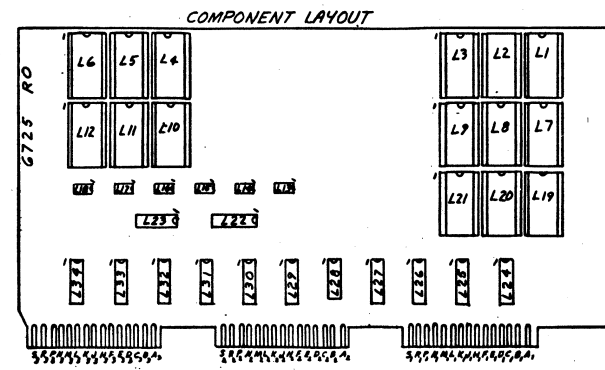
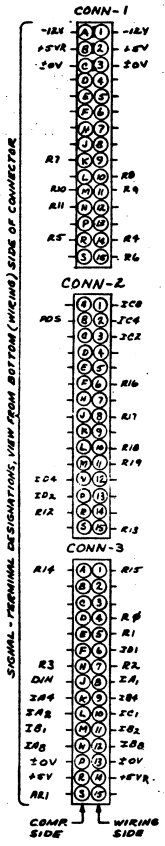
COMPONENT	W.L. PART NO.
R1-8, 10-18, 26, 30-36, 38, 41, 42	330-4010
R9	330-3010
R19, 20	330-1010
R21	330-4012
R22, 24	330-2022
R23	330-3018
R25	330-2018
R27	330-4015
R28	330-3022
R29	331-2026
R37	330-2033
C1	300-1913
C3, 5, 6, 23, 24, 25	300-4022
C4, 9, 9-22	300-1900
C7	300-1903
CA	300-1082
L6 SKT.	376-9003
L24	376-0192
L7 SKT.	376-9011

THIS DOCUMENT IS THE PROPERTY OF WANG LABORATORIES, INC. AND SHALL NOT BE REPRODUCED OR TRANSMITTED IN ANY FORM OR BY ANY MEANS, ELECTRONIC OR MECHANICAL, INCLUDING PHOTOCOPYING, RECORDING, OR BY ANY INFORMATION STORAGE AND RETRIEVAL SYSTEM, WITHOUT PERMISSION.



COMP.	ML. NO.
R1-R9	330-3068
R10-R16	330-4010
R17	330-3010
C1-C9	300-1968
C10-C19	300-4022

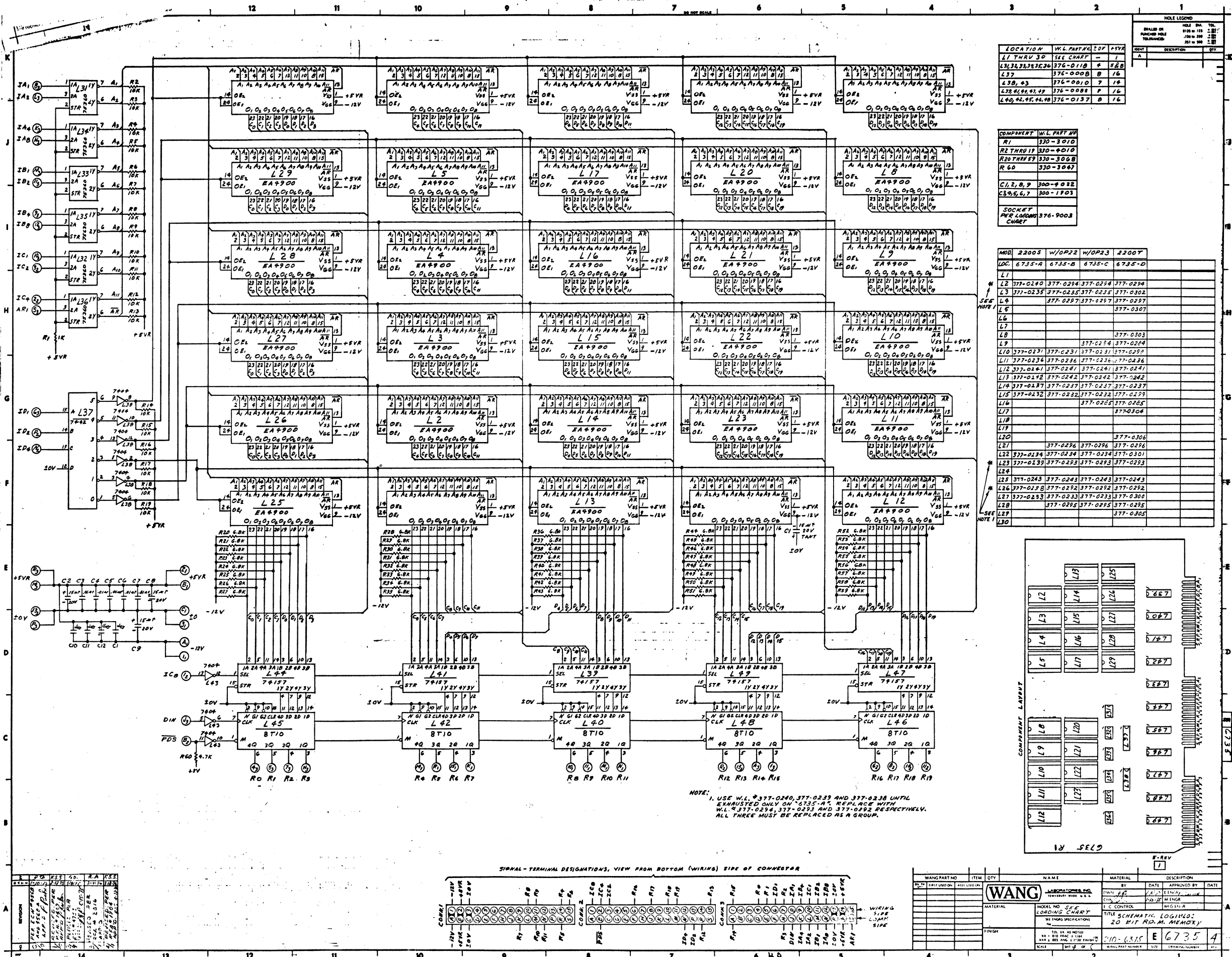
LOCATION	W.L. NO.	VCC	SWD
L15-18	376-0118	0	0
L13	376-0008	16	0
L16,18,19,21,22	376-0008	16	0
L17,19,21,22	376-0137	16	0
L1	337-0241		
L2	337-0236		
L3	337-0231		
L4	337-0234		
L5	337-0237		
L6	337-0239		
L7	337-0238		
L8	337-0239		
L9	337-0239		
L10	337-0238		
L11	337-0237		
L12	337-0238		
L19	337-0233		
L20	337-0238		
L21	337-0233		
L22,30	337-0008	16	7
L6,7			
T.C. SOCKET	376-9003		



FEB-5 1975

REV.	DATE	BY	DESCRIPTION
1			
2			
3			
4			
5			
6			
7			
8			
9			
10			

WANG PART NO.	ITEM	QTY	NAME	MATERIAL	DESCRIPTION	DATE																				
210-6725	1		ROM BOARD																							
<table border="1"> <tr> <td>DATE</td> <td>17-7-75</td> <td>ENGR.</td> <td>W. J. H.</td> </tr> <tr> <td>CHKD</td> <td></td> <td>IN ENGR.</td> <td></td> </tr> <tr> <td>DATE</td> <td>10-30-75</td> <td>DATE</td> <td></td> </tr> <tr> <td>BY</td> <td></td> <td>DATE</td> <td></td> </tr> <tr> <td>APPROVED BY</td> <td></td> <td>DATE</td> <td></td> </tr> </table>							DATE	17-7-75	ENGR.	W. J. H.	CHKD		IN ENGR.		DATE	10-30-75	DATE		BY		DATE		APPROVED BY		DATE	
DATE	17-7-75	ENGR.	W. J. H.																							
CHKD		IN ENGR.																								
DATE	10-30-75	DATE																								
BY		DATE																								
APPROVED BY		DATE																								
<table border="1"> <tr> <td>MODEL NO.</td> <td>2 2003</td> </tr> <tr> <td>TITLE</td> <td>SCHEMATIC FOR 6725</td> </tr> <tr> <td>DATE</td> <td>210-6725</td> </tr> <tr> <td>WANG PART NUMBER</td> <td>6725</td> </tr> <tr> <td>SCALE</td> <td>1</td> </tr> </table>							MODEL NO.	2 2003	TITLE	SCHEMATIC FOR 6725	DATE	210-6725	WANG PART NUMBER	6725	SCALE	1										
MODEL NO.	2 2003																									
TITLE	SCHEMATIC FOR 6725																									
DATE	210-6725																									
WANG PART NUMBER	6725																									
SCALE	1																									



HOLE LEGEND

DRILL OR PUNCH HOLE	HOLE DIA.	TOL.
1/16"	.0625	±.001
1/8"	.125	±.001
3/16"	.1875	±.001
1/4"	.25	±.001
5/16"	.3125	±.001
3/8"	.375	±.001
1/2"	.5	±.001
5/8"	.625	±.001
3/4"	.75	±.001
7/8"	.875	±.001
1"	1.0	±.001

LOCATION

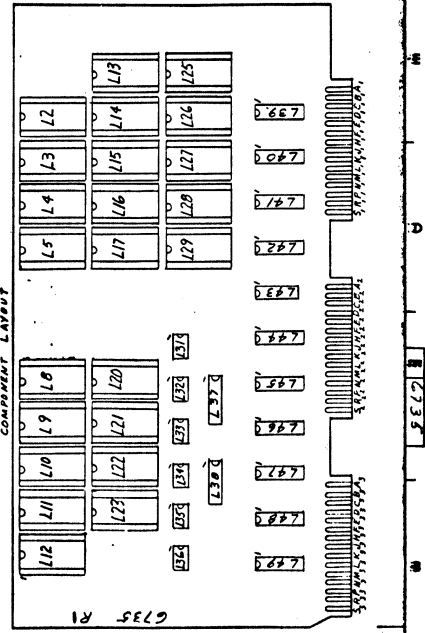
W.L. PART NO.	QTY	+5VR
L1 THRU L30	SEE CHART	-
L31, L32, L33, L34	376-0118	8
L37	376-0008	8
L38, L39	376-0010	7
L35, L36, L40, L41, L42, L43	376-0008	7
L44, L45, L46, L47	376-0137	8

COMPONENT W.L. PART NO.

R1	330-3010
R2 THRU R9	330-4010
R10 THRU R19	330-3008
R20	330-3067
C1, C2, C3	300-9032
C4, C5, C6, C7	300-1903
SOCKET PWR LOGIC	376-9003
CHART	

MOD. 22005 W/OP22 W/OP23 22007

LOC.	6735-A	6735-B	6735-C	6735-D
L1				
L2	377-0240	377-0294	377-0294	377-0294
L3	377-0235	377-0235	377-0235	377-0202
L4		377-0297	377-0297	377-0297
L5				377-0307
L6				377-0303
L7				
L8			377-0254	377-0254
L9				
L10	377-0231	377-0231	377-0231	377-0292
L11	377-0234	377-0234	377-0234	377-0234
L12	377-0241	377-0241	377-0241	377-0241
L13	377-0242	377-0242	377-0242	377-0242
L14	377-0237	377-0237	377-0237	377-0237
L15	377-0232	377-0232	377-0232	377-0232
L16			377-0255	377-0255
L17				377-0304
L18				
L19				
L20				377-0306
L21		377-0296	377-0296	377-0296
L22	377-0234	377-0234	377-0234	377-0301
L23	377-0239	377-0239	377-0239	377-0239
L24				
L25	377-0243	377-0243	377-0243	377-0243
L26	377-0238	377-0238	377-0238	377-0238
L27	377-0233	377-0233	377-0233	377-0300
L28		377-0295	377-0295	377-0295
L29				377-0305
L30				



NOTE: 1. USE W.L. #377-0240, 377-0239 AND 377-0238 UNTIL EXHAUSTED ONLY ON 6735-A REPLACES WITH W.L. #377-0294, 377-0293 AND 377-0292 RESPECTIVELY. ALL THREE MUST BE REPLACED AS A GROUP.

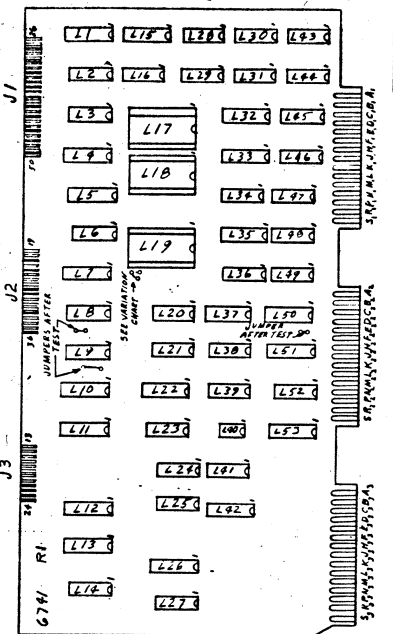
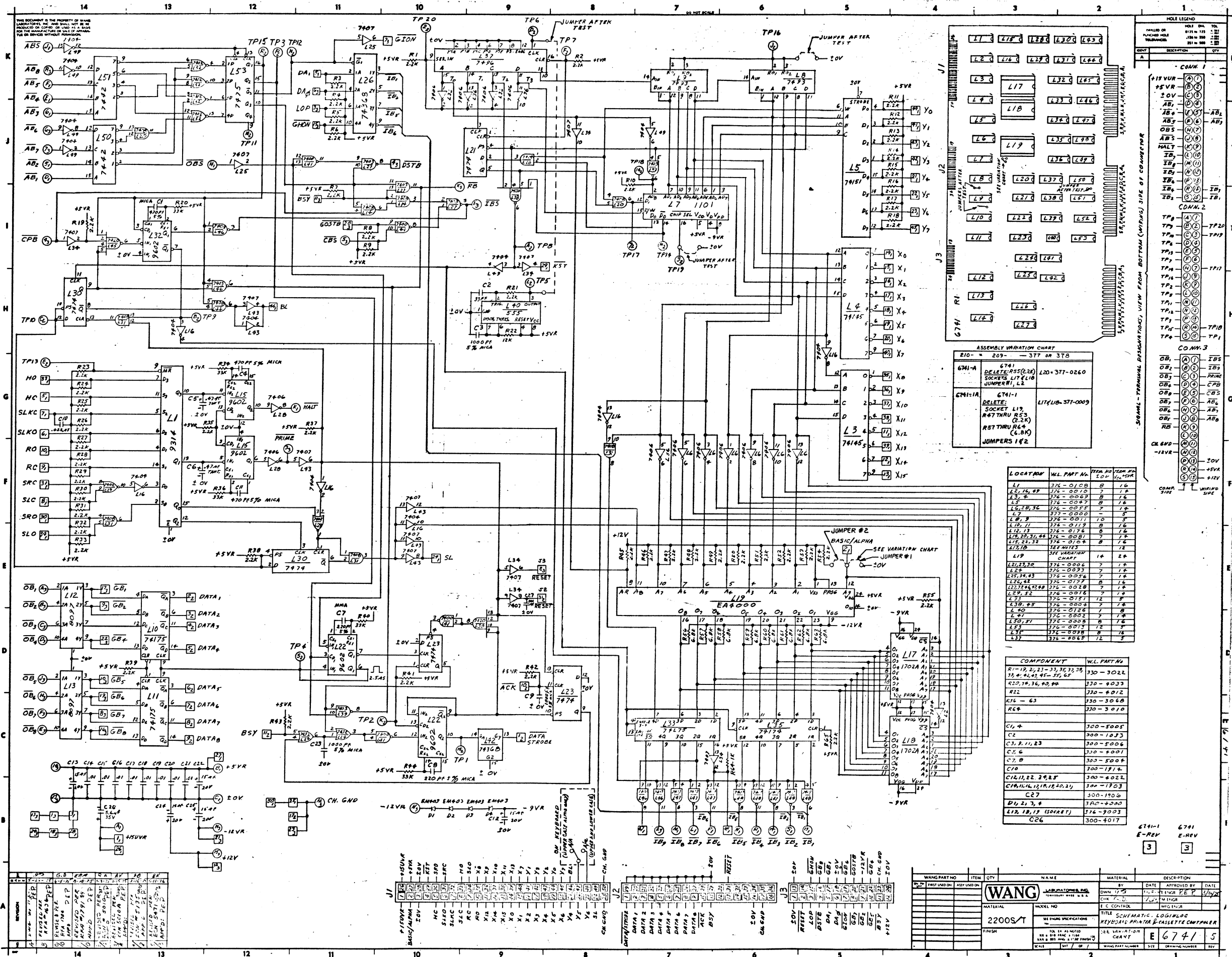
REVISION

NO.	DATE	BY	DESCRIPTION
1	11/15/67	WANG	ISSUED FOR FAB
2	11/15/67	WANG	ISSUED FOR FAB
3	11/15/67	WANG	ISSUED FOR FAB
4	11/15/67	WANG	ISSUED FOR FAB
5	11/15/67	WANG	ISSUED FOR FAB
6	11/15/67	WANG	ISSUED FOR FAB
7	11/15/67	WANG	ISSUED FOR FAB
8	11/15/67	WANG	ISSUED FOR FAB
9	11/15/67	WANG	ISSUED FOR FAB
10	11/15/67	WANG	ISSUED FOR FAB
11	11/15/67	WANG	ISSUED FOR FAB
12	11/15/67	WANG	ISSUED FOR FAB
13	11/15/67	WANG	ISSUED FOR FAB
14	11/15/67	WANG	ISSUED FOR FAB

WANG LABORATORIES

WANG PART NO.	ITEM	QTY	NAME	MATERIAL	DESCRIPTION
6735-A	1	1	6735-A	WANG	20 BIT ROM MEMORY

DATE: 11/15/67
APPROVED BY: WANG
TITLE: SCHEMATIC LOGIC
SCALE: 1/8" = 1"



ASSEMBLY VARIATION CHART

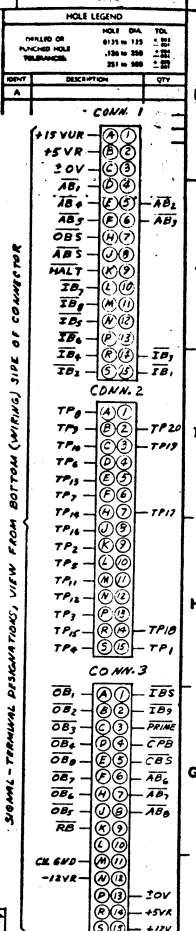
ITEM	DESCRIPTION	REVISION
6741-A	DELETE R55(2.2K) SOCKET L17(L18 JUMPER), L2	L20-377-0260
6741-A	DELETE SOCKET L19 R53 (2.2K) R57 THRU R64 (6.8K) JUMPERS 1 & 2	L17(L18-377-0009

LOCATOR

LOCATOR	W.L. PART NO.	QTY	FROM	TO
L1	376-0108	8	16	
L2, 16, 18	376-0010	7	18	
L3, 4	376-0049	8	18	
L5	376-0057	8	18	
L6, 20, 21	376-0055	7	18	
L7	376-0000	1	18	
L8, 9	376-0071	10	18	
L10, 11	376-0119	8	16	
L12, 13	376-0174	8	16	
L14, 22, 23, 24	376-0081	7	18	
L15, 22, 23	376-0104	8	16	
L17, 18	SEE VARIATION CHART	14	24	
L19	376-0006	7	18	
L21, 23, 20	376-0006	7	18	
L24	376-0093	7	18	
L25, 24, 43	376-0056	7	18	
L26, 44	376-0177	8	16	
L27, 28, 29, 30	376-0028	7	18	
L29, 32	376-0016	7	18	
L31	376-0181	12	8	
L32, 35	376-0004	7	18	
L40	376-0128	1	8	
L41	376-0002	7	18	
L42, 41	376-0008	8	18	
L53	376-0013	12	8	
L54	376-0098	8	18	
L57	376-0068	12	8	

COMPONENT

COMPONENT	W.L. PART NO.
R1-19, 21, 23-33, 35, 32, 35	330-3022
33, 41, 43, 45-55, 65	330-4033
R30, 16, 36, 43, 44	330-4012
R22	330-4012
R36-63	330-3068
R64	330-3010
C1, 4	300-5005
C2	300-1073
C3, 8, 11, 23	300-5006
C5, 6	330-4007
C7, 8	300-5005
C10	300-1714
C12, 11, 22, 24, 25	300-4022
C14, 16, 17, 18, 20, 21	300-1703
C27	300-1904
D1, 2, 3, 4	300-4000
L17, 18, 19 (SOCKET)	376-9003
C26	300-4017



REVISION

REV	DESCRIPTION
1	INITIAL DESIGN
2	REVISED PER...
3	REVISED PER...
4	REVISED PER...
5	REVISED PER...
6	REVISED PER...
7	REVISED PER...
8	REVISED PER...
9	REVISED PER...
10	REVISED PER...
11	REVISED PER...
12	REVISED PER...
13	REVISED PER...
14	REVISED PER...

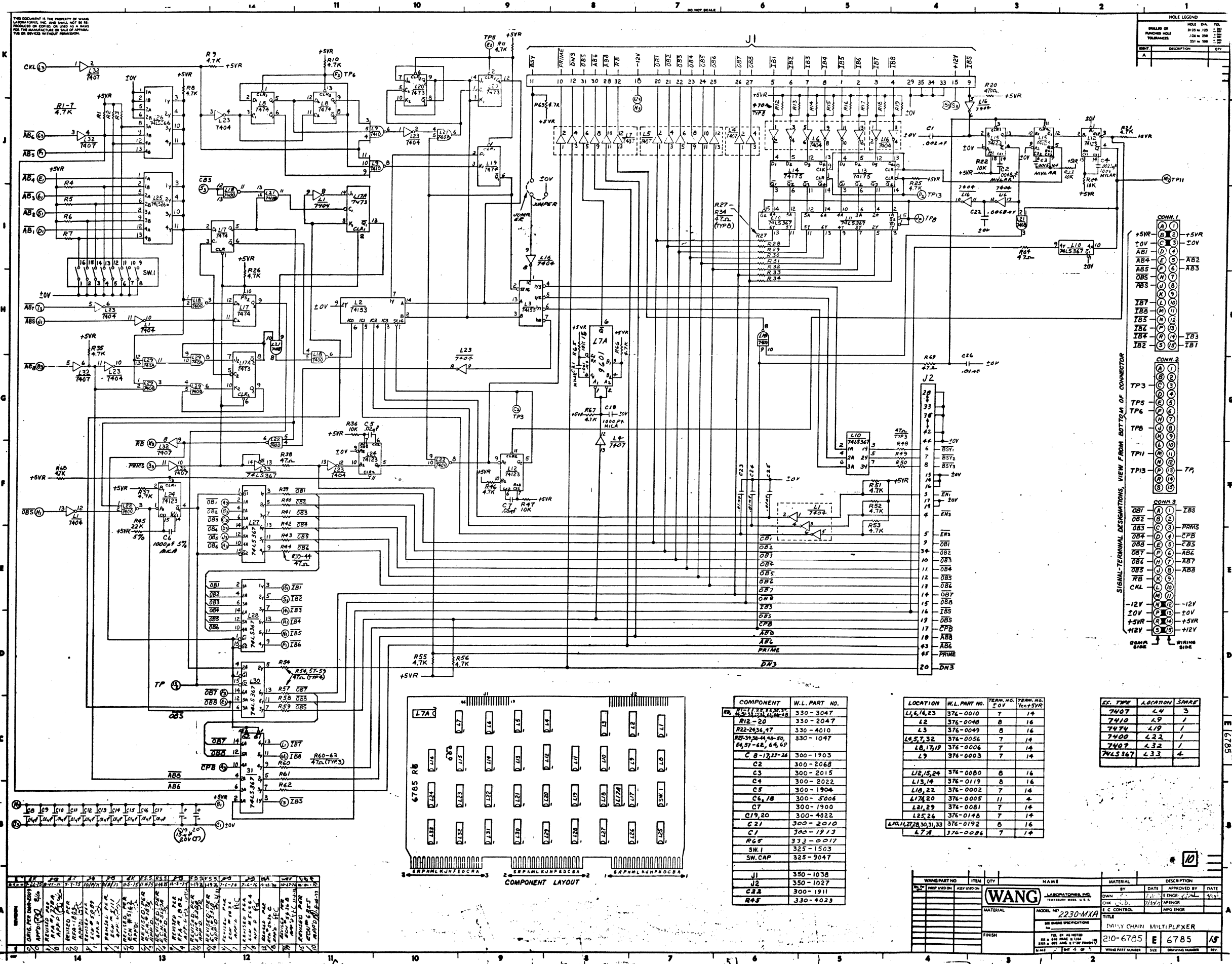
WANG 2200S/T

DATE: 11/25/73

APPROVED BY: [Signature]

WANG PART NO. 2200S/T

DESCRIPTION: SCHEMATIC, LOGIC KEYBOARD, PRINTER & CASSETTE COMPILER



THIS DOCUMENT IS THE PROPERTY OF WANG LABORATORIES, INC. AND SHALL NOT BE REPRODUCED OR COPIED, OR USED AS A BASIS FOR THE MANUFACTURE OR SALE OF EQUIPMENT OR SERVICES WITHOUT PERMISSION.

REV.	DESCRIPTION	DATE
1		

REV.	DESCRIPTION	DATE
1		

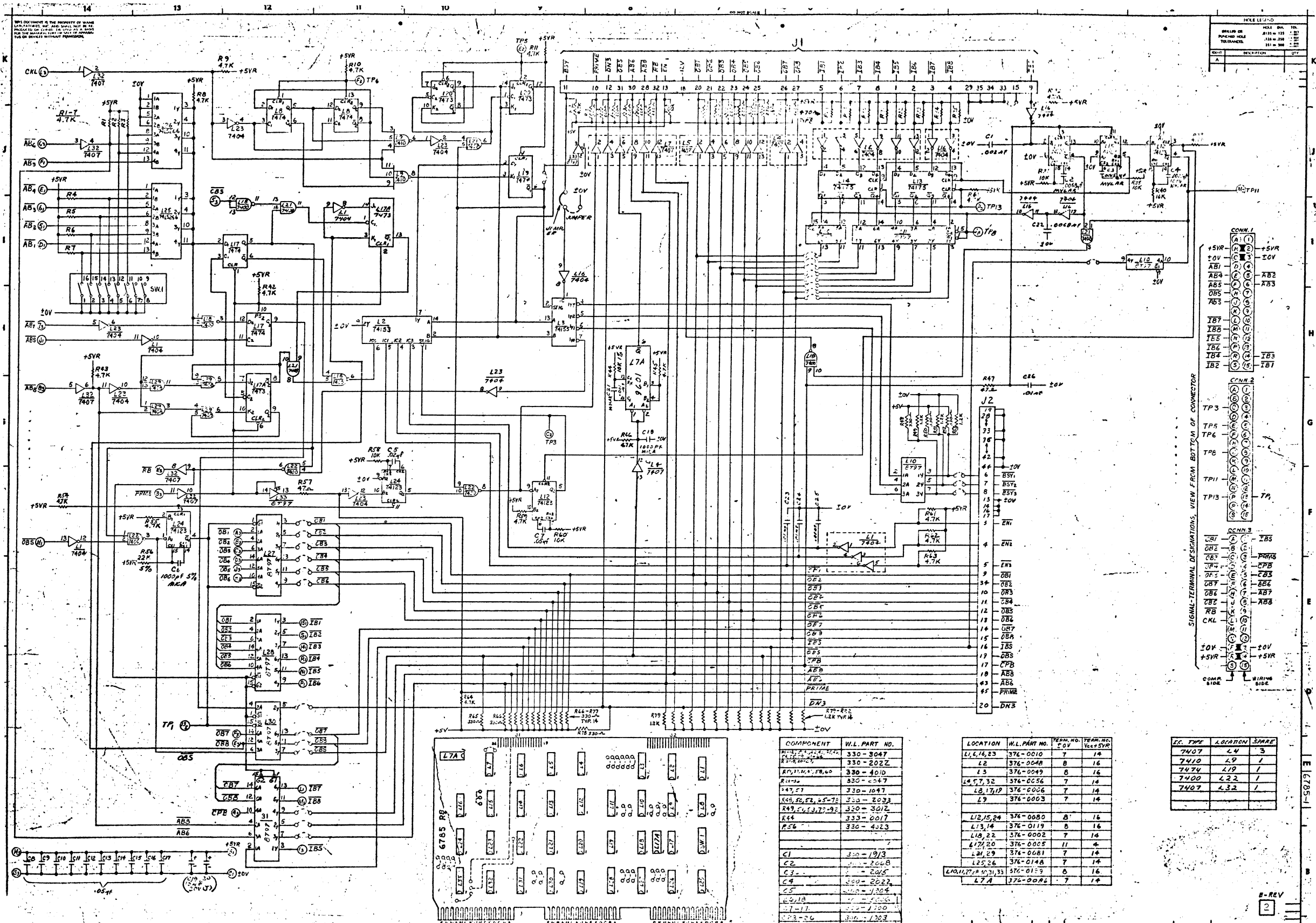
COMPONENT	W.L. PART NO.
R1-7	330-3047
R2-20	330-2047
R22-24,36,47	330-4010
R27-30,34,44,46,50, 54,57-62,64,67	330-1047
C 8-17,27-28	300-1903
C2	300-2068
C3	300-2015
C4	300-2022
C5	300-1904
C6,18	300-5006
C7	300-1900
C19,20	300-4022
C21	300-2010
C7	300-1917
R65	333-0017
SW.1	325-1503
SW.CAP	325-9047
J1	350-1038
J2	350-1027
C22	300-1911
R45	330-4023

LOCATION	W.L. PART NO.	TEAM NO.	TEAM NO.
L1,6,16,23	376-0010	7	14
L2	376-0040	8	16
L3	376-0049	8	16
L4,5,7,32	376-0056	7	14
L8,17,19	376-0006	7	14
L9	376-0003	7	14
L18,19,24	376-0080	8	16
L13,14	376-0119	8	16
L10,22	376-0002	7	14
L17,20	376-0005	11	4
L21,29	376-0081	7	14
L25,26	376-0148	7	14
L19,14,27,28,30,31,33	376-0192	8	16
L7A	376-0086	7	14

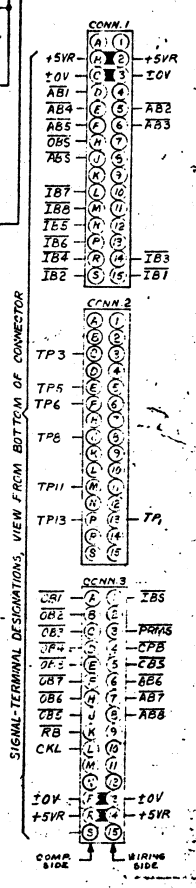
CC. TIME	LOCATION	SHEET
7407	L4	3
7410	L9	1
7474	L19	1
7400	L32	1
7407	L32	1
743367	L33	4

WANG PART NO.	ITEM	QTY	NAME	MATERIAL	DATE	APPROVED BY	DATE

WANG LABORATORIES, INC.
 MODEL NO. 2230-MXA
 TITLE: TMSI CHAIN MULTIPLEXER
 210-6785 E 6785 18



REV	DESCRIPTION	DATE
1	ISSUED FOR FABRICATION	11/15/64
2	REVISED TO CORRECT FABRICATION ERRORS	11/15/64
3	REVISED TO CORRECT FABRICATION ERRORS	11/15/64
4	REVISED TO CORRECT FABRICATION ERRORS	11/15/64
5	REVISED TO CORRECT FABRICATION ERRORS	11/15/64



COMPONENT	W.L. PART NO.
R1-R100	330-3047
C1-C100	330-202Z
U1-U100	330-4010
L1-L100	330-2047
TP1-TP20	330-1047
EN1-EN20	330-2033
AB1-AB6	330-3012
IB1-IB6	333-0017
EN1-EN20	330-4223
C1	330-1913
C2	330-2048
C3	330-2048
C4	330-2027
C5	330-1924
C6	330-1924
C7	330-1924
C8	330-1924
C9	330-1924
C10	330-1924
C11	330-1924
C12	330-1924
C13	330-1924
C14	330-1924
C15	330-1924
C16	330-1924
C17	330-1924
C18	330-1924
C19	330-1924
C20	330-1924
C21	330-1924
C22	330-1924
C23	330-1924
C24	330-1924
C25	330-1924
C26	330-1924
C27	330-1924
C28	330-1924
C29	330-1924
C30	330-1924
C31	330-1924
C32	330-1924
C33	330-1924
C34	330-1924
C35	330-1924
C36	330-1924
C37	330-1924
C38	330-1924
C39	330-1924
C40	330-1924
C41	330-1924
C42	330-1924
C43	330-1924
C44	330-1924
C45	330-1924
C46	330-1924
C47	330-1924
C48	330-1924
C49	330-1924
C50	330-1924
C51	330-1924
C52	330-1924
C53	330-1924
C54	330-1924
C55	330-1924
C56	330-1924
C57	330-1924
C58	330-1924
C59	330-1924
C60	330-1924
C61	330-1924
C62	330-1924
C63	330-1924
C64	330-1924
C65	330-1924
C66	330-1924
C67	330-1924
C68	330-1924
C69	330-1924
C70	330-1924
C71	330-1924
C72	330-1924
C73	330-1924
C74	330-1924
C75	330-1924
C76	330-1924
C77	330-1924
C78	330-1924
C79	330-1924
C80	330-1924
C81	330-1924
C82	330-1924
C83	330-1924
C84	330-1924
C85	330-1924
C86	330-1924
C87	330-1924
C88	330-1924
C89	330-1924
C90	330-1924
C91	330-1924
C92	330-1924
C93	330-1924
C94	330-1924
C95	330-1924
C96	330-1924
C97	330-1924
C98	330-1924
C99	330-1924
C100	330-1924

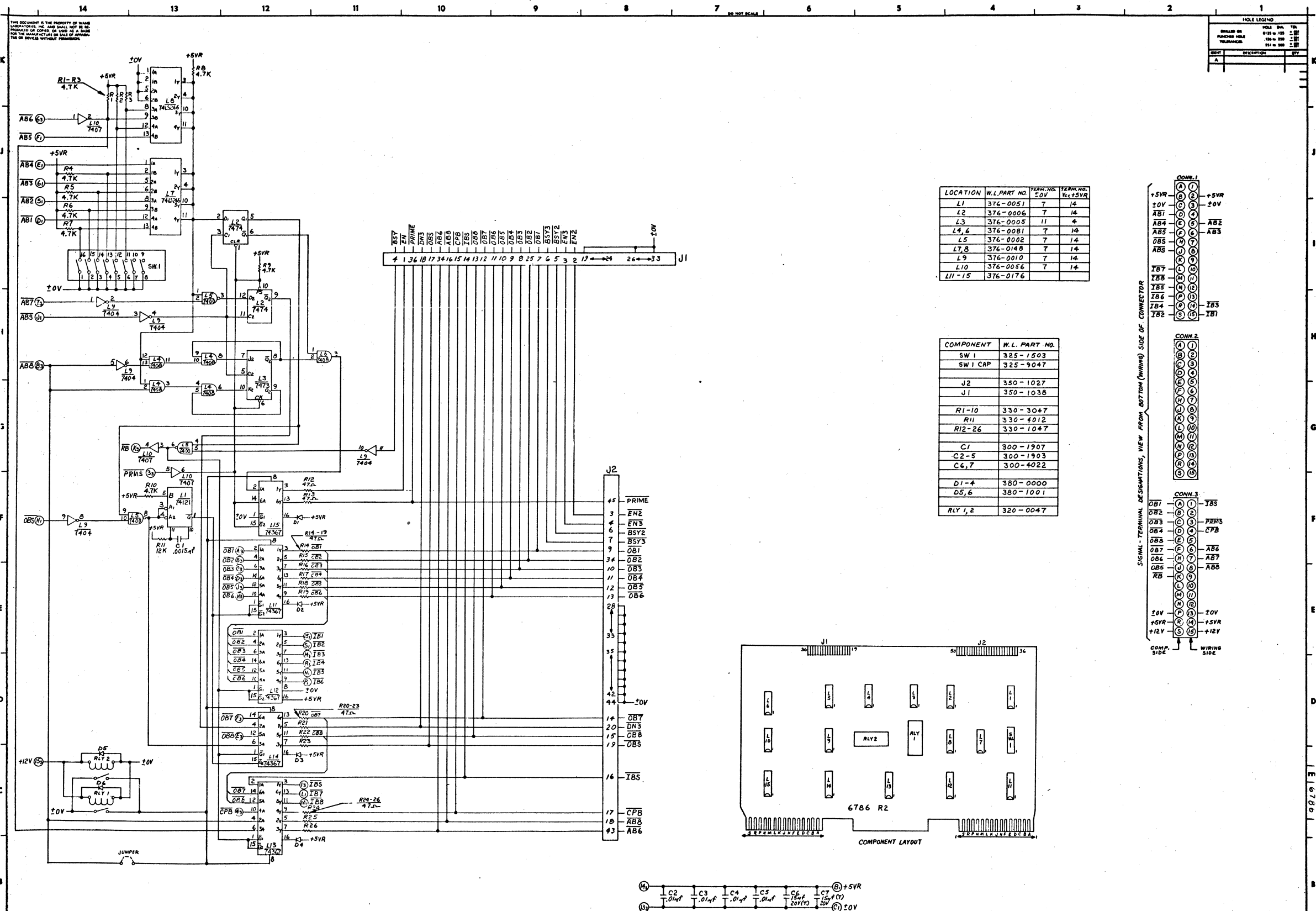
LOCATION	W.L. PART NO.	QTY	TEAM NO.
L1, L14, 23	376-0010	7	14
L2	376-0048	8	16
L3	376-0049	8	16
L4, L7, 32	376-0056	7	14
L8, L17, 19	376-0006	7	14
L9	376-0003	7	14
L12, L24	376-0080	8	16
L13, 14	376-0119	8	16
L18, 22	376-0002	7	14
L17, 20	376-0005	11	4
L21, 29	376-0081	7	14
L25, 26	376-0148	7	14
L28, 29, 30, 31, 33	376-0153	8	16
L7A	376-0082	7	14

IS. TYPE	LOCATION	SHARE
7407	L4	3
7410	L9	1
7414	L19	1
7400	L22	1
7407	L32	1

WANG PART NO.	ITEM	QTY	NAME	MATERIAL	DESCRIPTION
210-6785	1	1	DAISY CHAIN MULTIPLEXER		

REV	DESCRIPTION	DATE
1	ISSUED FOR FABRICATION	11/15/64
2	REVISED TO CORRECT FABRICATION ERRORS	11/15/64
3	REVISED TO CORRECT FABRICATION ERRORS	11/15/64
4	REVISED TO CORRECT FABRICATION ERRORS	11/15/64
5	REVISED TO CORRECT FABRICATION ERRORS	11/15/64

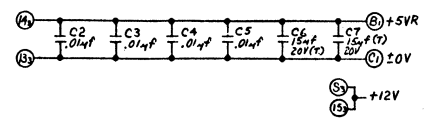
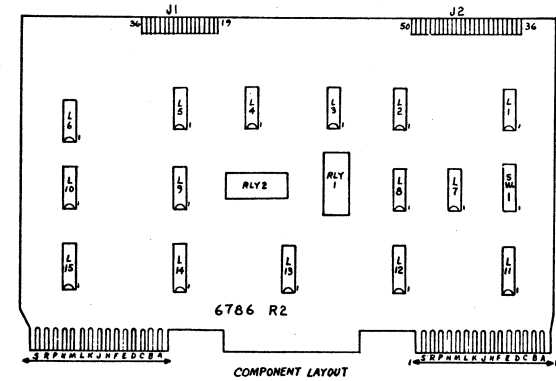
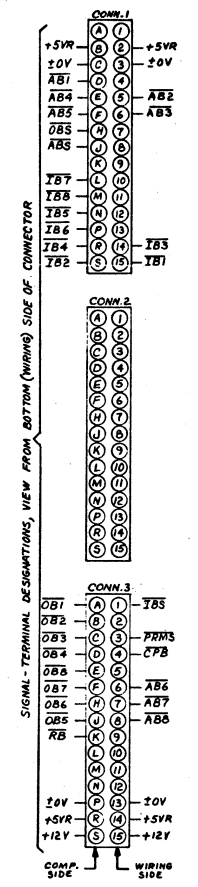
E-REV
2



HOLE LEGEND		
DRILLED OR	HOLE DIA.	IN.
PANCHED HOLE	1/16 IN. DIA.	1/16
PLUNGER	1/16 IN. DIA.	1/16
CONT.	DESCRIPTION	QTY.
A		

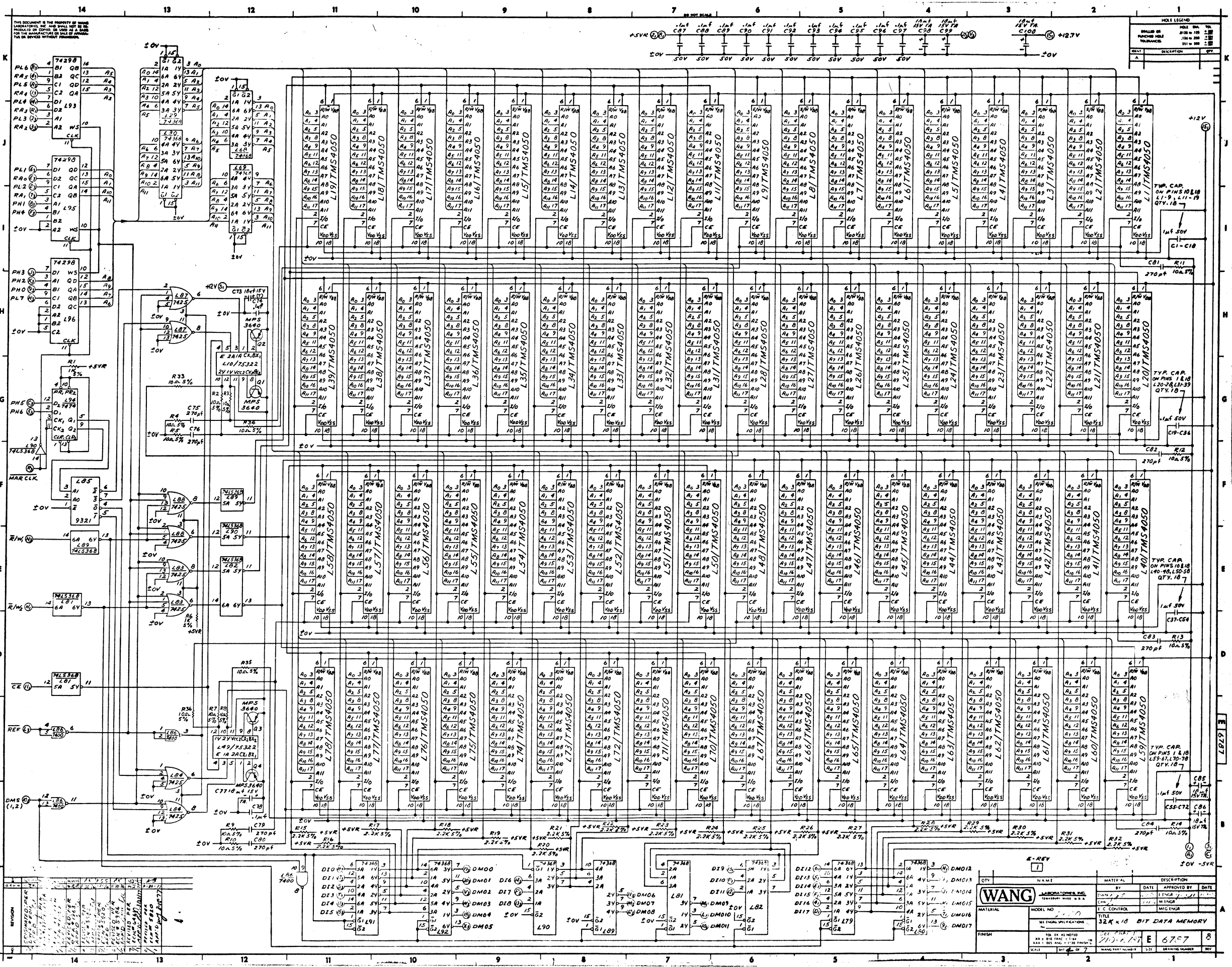
LOCATION	W.L. PART NO.	TERM. NO.	TERMINAL NO.
L1	376-0051	7	14
L2	376-0006	7	14
L3	376-0003	11	4
L4, 6	376-0081	7	14
L5	376-0002	7	14
L7, 8	376-0148	7	14
L9	376-0010	7	14
L10	376-0056	7	14
L11-15	376-0176		

COMPONENT	W.L. PART NO.
SW 1	325-1503
SW 1 CAP	325-9047
J2	350-1027
J1	350-1038
R1-10	330-3047
R11	330-4012
R12-26	330-1047
C1	300-1907
C2-5	300-1903
C6, 7	300-4022
D1-4	380-0000
D5, 6	380-1001
RLY 1, 2	320-0047



REV.	DATE	BY	DESCRIPTION
1	11-18-58	W.D.	INITIAL DESIGN
2	12-15-58	W.D.	REVISED FOR MANUFACTURE
3	1-15-59	W.D.	REVISED FOR MANUFACTURE
4	2-15-59	W.D.	REVISED FOR MANUFACTURE
5	3-15-59	W.D.	REVISED FOR MANUFACTURE
6	4-15-59	W.D.	REVISED FOR MANUFACTURE
7	5-15-59	W.D.	REVISED FOR MANUFACTURE
8	6-15-59	W.D.	REVISED FOR MANUFACTURE
9	7-15-59	W.D.	REVISED FOR MANUFACTURE
10	8-15-59	W.D.	REVISED FOR MANUFACTURE
11	9-15-59	W.D.	REVISED FOR MANUFACTURE
12	10-15-59	W.D.	REVISED FOR MANUFACTURE
13	11-15-59	W.D.	REVISED FOR MANUFACTURE
14	12-15-59	W.D.	REVISED FOR MANUFACTURE

WANG PART NO.	ITEM	QTY.	NAME	MATERIAL	DESCRIPTION
210-6786	E	2	SCHEMATIC LOGIC BLOC		
210-6786	E	2	MULTIPLER SLAVE CONTROL CARD		

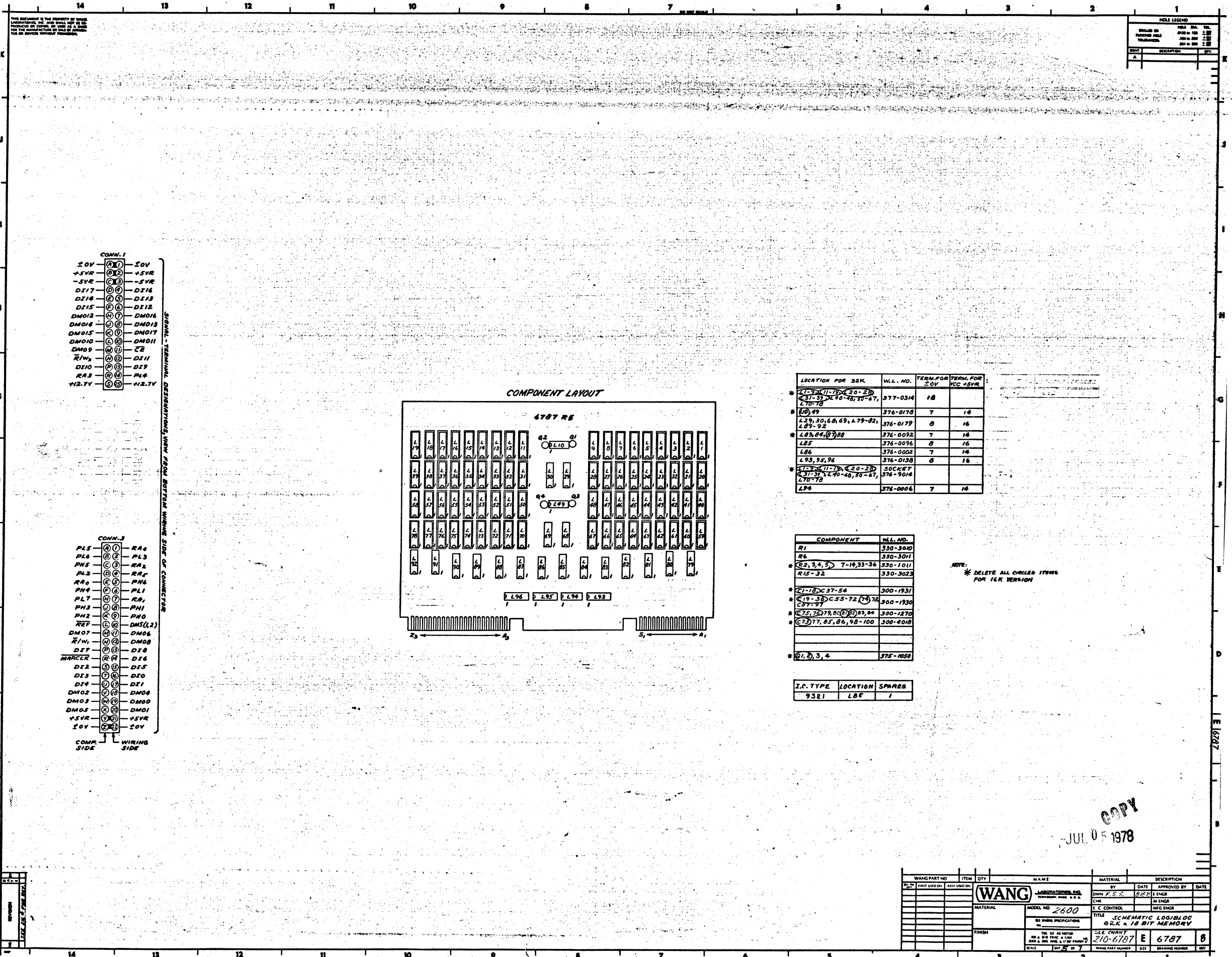


THIS DOCUMENT IS THE PROPERTY OF WANG LABORATORIES, INC. AND SHALL NOT BE LOANED, REPRODUCED, COPIED, OR DISSEMINATED IN ANY MANNER WITHOUT THE WRITTEN PERMISSION OF WANG LABORATORIES, INC.

QTY	DESCRIPTION	QTY
1
1

REV	DESCRIPTION	DATE
1
2

WANG		LABORATORIES, INC.	
DATE	APPROVED BY	DATE	DATE
2/13/77	E 6757		
TITLE		32K x 18 BIT DATA MEMORY	
DRAWING NUMBER		...	



HOLE LEGEND

DRILL	SIZE	USE
Ø.015	Ø.015	Ø.015
Ø.031	Ø.031	Ø.031
Ø.062	Ø.062	Ø.062

CONN. 1

±0V	①	±0V
+5V	②	+5V
-5V	③	-5V
DI17	④	DI17
DI16	⑤	DI16
DI15	⑥	DI15
DMO12	⑦	DMO12
DMO18	⑧	DMO18
DMO15	⑨	DMO15
DMO10	⑩	DMO10
DMO9	⑪	DMO9
R/W	⑫	R/W
DI10	⑬	DI10
RA3	⑭	RA3
+12.7V	⑮	+12.7V

CONN. 3

PL5	①	PL5
PL6	②	PL6
PL8	③	PL8
PL2	④	PL2
RA0	⑤	RA0
PH4	⑥	PH4
PL7	⑦	PL7
PH3	⑧	PH3
PH2	⑨	PH2
REF	⑩	REF
DM07	⑪	DM07
R/W	⑫	R/W
DI17	⑬	DI17
DI16	⑭	DI16
DI15	⑮	DI15
DI14	⑯	DI14
DM02	⑰	DM02
DM03	⑱	DM03
DM05	⑲	DM05
+5V	⑳	+5V
±0V	㉑	±0V

COMPONENT LAYOUT

LOCATION FOR 2K	W.L. NO.	TERM. FOR ±0V	TERM. FOR +5V
* L1-33, L1-10, L1-20, L1-21, L1-22, L1-23, L1-24, L1-25, L1-26, L1-27, L1-28, L1-29, L1-30, L1-31, L1-32, L1-33, L1-34, L1-35, L1-36, L1-37, L1-38, L1-39, L1-40, L1-41, L1-42, L1-43, L1-44, L1-45, L1-46, L1-47, L1-48, L1-49, L1-50, L1-51, L1-52, L1-53, L1-54, L1-55, L1-56, L1-57, L1-58, L1-59, L1-60, L1-61, L1-62, L1-63, L1-64, L1-65, L1-66, L1-67, L1-68, L1-69, L1-70, L1-71, L1-72, L1-73, L1-74, L1-75, L1-76, L1-77, L1-78, L1-79, L1-80, L1-81, L1-82, L1-83, L1-84, L1-85, L1-86, L1-87, L1-88, L1-89, L1-90, L1-91, L1-92, L1-93, L1-94, L1-95, L1-96, L1-97, L1-98, L1-99, L1-100	377-0314	18	
L10-49	376-0170	7	14
L29, 30, 40, 69, 479-82, L89-92	376-0179	8	16
L83, 84, 87, 88	376-0092	7	14
L85	376-0096	8	16
L86	376-0002	7	14
L93, 95, 96	376-0138	8	16
* L1-33, L1-10, L1-20, L1-21, L1-22, L1-23, L1-24, L1-25, L1-26, L1-27, L1-28, L1-29, L1-30, L1-31, L1-32, L1-33, L1-34, L1-35, L1-36, L1-37, L1-38, L1-39, L1-40, L1-41, L1-42, L1-43, L1-44, L1-45, L1-46, L1-47, L1-48, L1-49, L1-50, L1-51, L1-52, L1-53, L1-54, L1-55, L1-56, L1-57, L1-58, L1-59, L1-60, L1-61, L1-62, L1-63, L1-64, L1-65, L1-66, L1-67, L1-68, L1-69, L1-70, L1-71, L1-72, L1-73, L1-74, L1-75, L1-76, L1-77, L1-78, L1-79, L1-80, L1-81, L1-82, L1-83, L1-84, L1-85, L1-86, L1-87, L1-88, L1-89, L1-90, L1-91, L1-92, L1-93, L1-94, L1-95, L1-96, L1-97, L1-98, L1-99, L1-100	SOCKET		
L37-91, L40-48, 50-67, L70-72	376-9014		
L94	376-0006	7	14

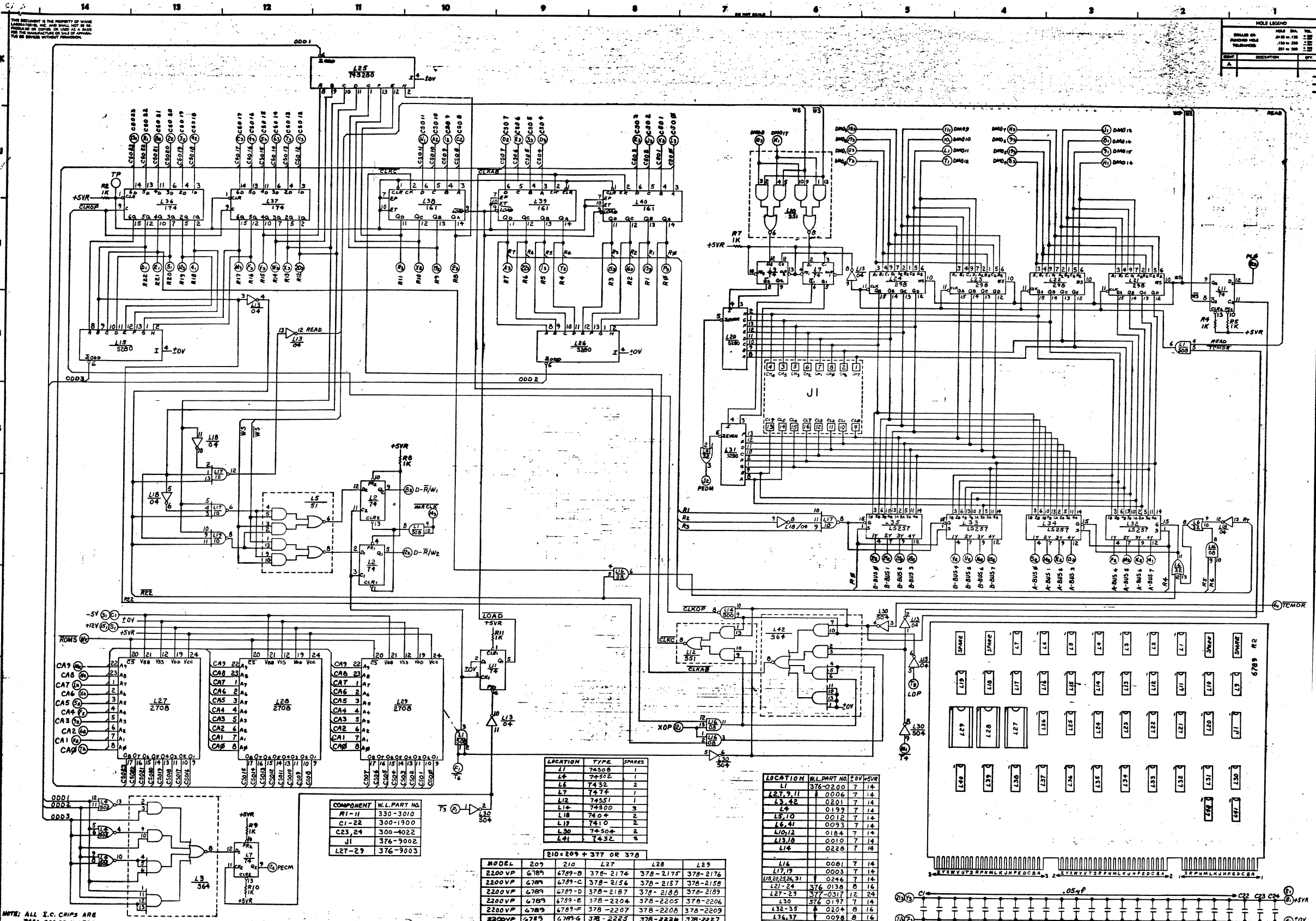
COMPONENT	W.L. NO.
R1	330-3040
R6	330-3011
* R2, 3, 4, 5	T-14, 33-36
R15-32	330-1011
	330-3023
* R1-18, R37-54	300-1931
* R19-35, R55-72, R70, R91-97	300-1930
* R25, 26, 29, 80, 83, 84, R37, 77, 85, 86, 98-100	300-1270
	300-4018
* R1, 2, 3, 4	375-1050

NOTE: DELETE ALL CIRCLED ITEMS FOR 16K VERSION

I.C. TYPE	LOCATION	SPARES
9321	L87	1

COPY
JUL 05 1978

WANG PART NO.	ITEM	QTY	NAME	MATERIAL	DESCRIPTION
210-6787	1	1	WANG	LABORATORY	SCHEMATIC LOGIBLOC 2K x 18 BIT MEMORY



WANG LEGEND

SYMBOL	DESCRIPTION	QTY
(Symbol)	(Description)	(Quantity)

NOTE: ALL I.C. CHIPS ARE 7400 SERIES UNLESS OTHERWISE SPECIFIED.

COMPONENT W.L. PART NO.

R1-11	330-3010
C1-22	300-1900
C23,24	300-4022
J1	376-9002
L27-29	376-9003

LOCATION TYPE SHARES

L1	7430B	1
L4	7432	1
L6	7432	2
L7	7437	1
L12	7432	1
L16	7430	3
L18	7404	2
L19	7410	2
L30	7450A	2
L41	7432	5

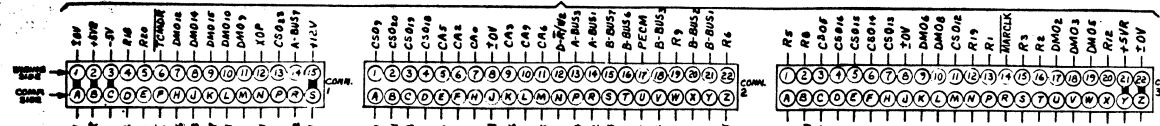
LOCATION W.L. PART NO. 20V HVSR

L1	376-0200	7	14
L2,9,11	0004	7	14
L3,42	0201	7	14
L4	0199	7	14
L5,10	0012	7	14
L6,41	0093	7	14
L10,12	0184	7	14
L13,18	0010	7	14
L14	0228	7	14
L16	0081	7	14
L17,19	0003	7	14
L18,20,25,26,31	0246	7	14
L21-24	376-0138	6	16
L27-29	377-0317	12	24
L30	376-0197	7	14
L32-35	0204	8	16
L36,37	0098	8	16
L38-40	376-0094	8	16

MODEL 209 210 L27 L28 L29

2200VP	6789-B	378-2174	378-2175	378-2176
2200VP	6789-C	378-2156	378-2157	378-2158
2200VP	6789-D	378-2187	378-2188	378-2189
2200VP	6789-E	378-2204	378-2205	378-2206
2200VP	6789-F	378-2207	378-2208	378-2209
2200VP	6789-G	378-2223	378-2224	378-2227

SIGNAL-TERMINAL DESIGNATIONS, VIEW FROM BOTTOM (WIRING) SIDE OF CONNECTOR



WANG PART NO. ITEM QTY N.A.M.E. MATERIAL DESCRIPTION

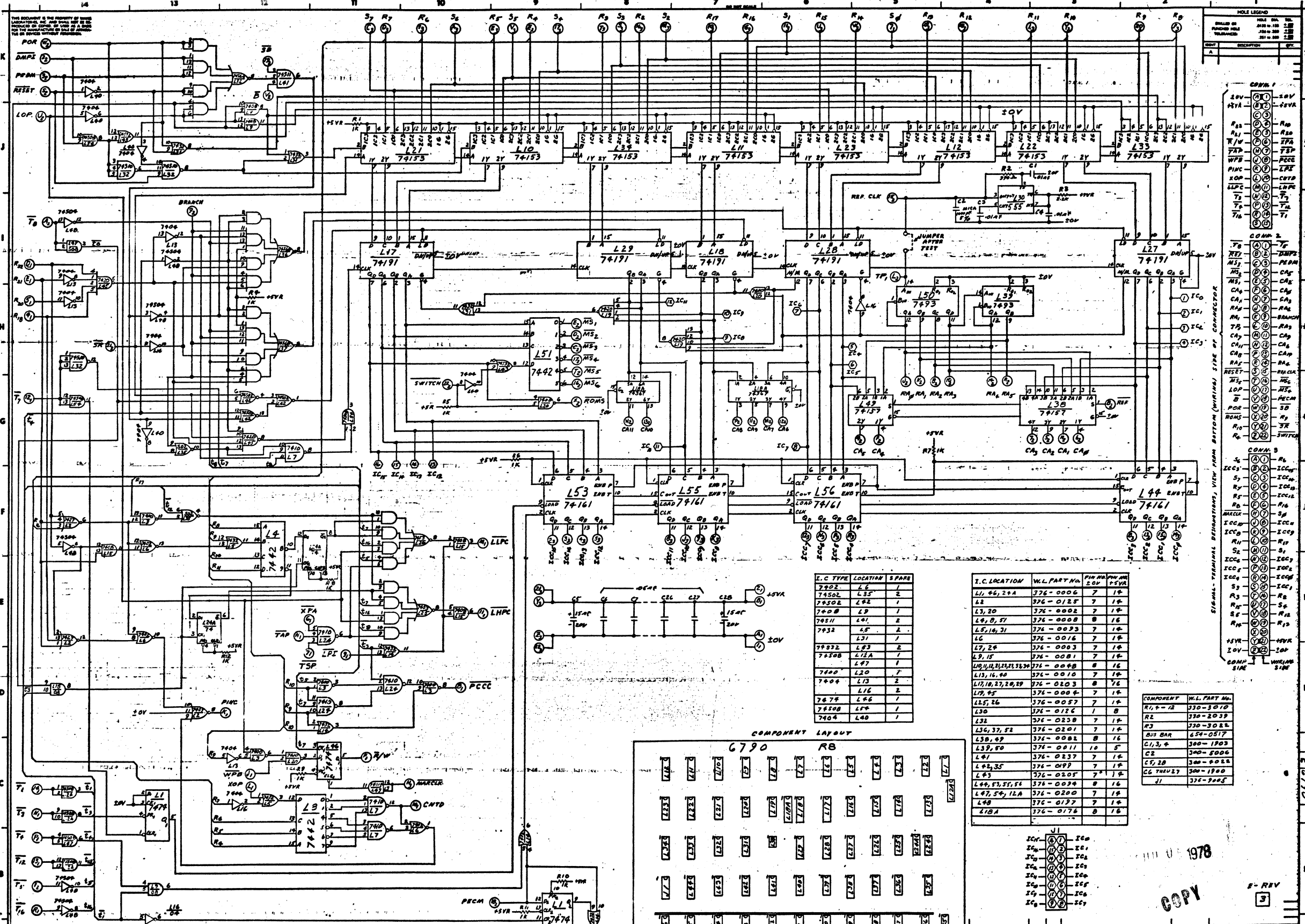
WANG PART NO.	ITEM	QTY	N.A.M.E.	MATERIAL	DESCRIPTION
376-9002	J1	1	CONNECTOR	PLASTIC	CONNECTOR
376-9003	L27-29	3	IC	7408	NAND GATE
376-9004	L30	2	IC	7450	DECADER
376-9005	L31	1	IC	7410	DECADER
376-9006	L32-35	4	IC	7400	AND GATE
376-9007	L36-40	5	IC	7400	AND GATE
376-9008	L37	1	IC	7400	AND GATE
376-9009	L38-40	3	IC	7400	AND GATE
376-9010	L39	1	IC	7400	AND GATE
376-9011	L40	1	IC	7400	AND GATE
376-9012	L41	5	IC	7400	AND GATE
376-9013	L42	1	IC	7400	AND GATE
376-9014	L43	1	IC	7400	AND GATE
376-9015	L44	1	IC	7400	AND GATE
376-9016	L45	1	IC	7400	AND GATE
376-9017	L46	1	IC	7400	AND GATE
376-9018	L47	1	IC	7400	AND GATE
376-9019	L48	1	IC	7400	AND GATE
376-9020	L49	1	IC	7400	AND GATE
376-9021	L50	1	IC	7400	AND GATE
376-9022	L51	1	IC	7400	AND GATE
376-9023	L52	1	IC	7400	AND GATE
376-9024	L53	1	IC	7400	AND GATE
376-9025	L54	1	IC	7400	AND GATE
376-9026	L55	1	IC	7400	AND GATE
376-9027	L56	1	IC	7400	AND GATE
376-9028	L57	1	IC	7400	AND GATE
376-9029	L58	1	IC	7400	AND GATE
376-9030	L59	1	IC	7400	AND GATE
376-9031	L60	1	IC	7400	AND GATE
376-9032	L61	1	IC	7400	AND GATE
376-9033	L62	1	IC	7400	AND GATE
376-9034	L63	1	IC	7400	AND GATE
376-9035	L64	1	IC	7400	AND GATE
376-9036	L65	1	IC	7400	AND GATE
376-9037	L66	1	IC	7400	AND GATE
376-9038	L67	1	IC	7400	AND GATE
376-9039	L68	1	IC	7400	AND GATE
376-9040	L69	1	IC	7400	AND GATE
376-9041	L70	1	IC	7400	AND GATE
376-9042	L71	1	IC	7400	AND GATE
376-9043	L72	1	IC	7400	AND GATE
376-9044	L73	1	IC	7400	AND GATE
376-9045	L74	1	IC	7400	AND GATE
376-9046	L75	1	IC	7400	AND GATE
376-9047	L76	1	IC	7400	AND GATE
376-9048	L77	1	IC	7400	AND GATE
376-9049	L78	1	IC	7400	AND GATE
376-9050	L79	1	IC	7400	AND GATE
376-9051	L80	1	IC	7400	AND GATE
376-9052	L81	1	IC	7400	AND GATE
376-9053	L82	1	IC	7400	AND GATE
376-9054	L83	1	IC	7400	AND GATE
376-9055	L84	1	IC	7400	AND GATE
376-9056	L85	1	IC	7400	AND GATE
376-9057	L86	1	IC	7400	AND GATE
376-9058	L87	1	IC	7400	AND GATE
376-9059	L88	1	IC	7400	AND GATE
376-9060	L89	1	IC	7400	AND GATE
376-9061	L90	1	IC	7400	AND GATE
376-9062	L91	1	IC	7400	AND GATE
376-9063	L92	1	IC	7400	AND GATE
376-9064	L93	1	IC	7400	AND GATE
376-9065	L94	1	IC	7400	AND GATE
376-9066	L95	1	IC	7400	AND GATE
376-9067	L96	1	IC	7400	AND GATE
376-9068	L97	1	IC	7400	AND GATE
376-9069	L98	1	IC	7400	AND GATE
376-9070	L99	1	IC	7400	AND GATE
376-9071	L100	1	IC	7400	AND GATE

REVISIONS

NO.	DESCRIPTION	DATE
1	INITIAL DESIGN	11-15-68
2	REVISED PER	11-15-68
3	REVISED PER	11-15-68
4	REVISED PER	11-15-68
5	REVISED PER	11-15-68
6	REVISED PER	11-15-68
7	REVISED PER	11-15-68
8	REVISED PER	11-15-68
9	REVISED PER	11-15-68
10	REVISED PER	11-15-68
11	REVISED PER	11-15-68
12	REVISED PER	11-15-68
13	REVISED PER	11-15-68
14	REVISED PER	11-15-68

210-6789 E 6789 6

WANG PART NO. 210-6789 E 6789 6



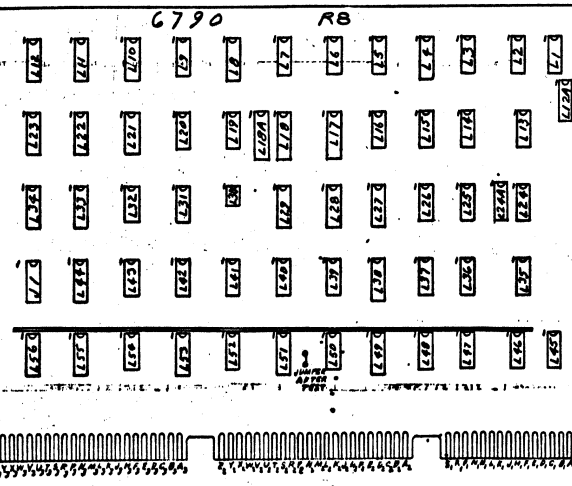
REV	DESCRIPTION	DATE
1		

CONN 1	
1	50V
2	50V
3	50V
4	50V
5	50V
6	50V
7	50V
8	50V
9	50V
10	50V
11	50V
12	50V
13	50V
14	50V
15	50V
16	50V
17	50V
18	50V
19	50V
20	50V
21	50V
22	50V
23	50V
24	50V
25	50V
26	50V
27	50V
28	50V
29	50V
30	50V
31	50V
32	50V
33	50V
34	50V
35	50V
36	50V
37	50V
38	50V
39	50V
40	50V
41	50V
42	50V
43	50V
44	50V
45	50V
46	50V
47	50V
48	50V
49	50V
50	50V
51	50V
52	50V
53	50V
54	50V
55	50V
56	50V
57	50V
58	50V
59	50V
60	50V
61	50V
62	50V
63	50V
64	50V
65	50V
66	50V
67	50V
68	50V
69	50V
70	50V
71	50V
72	50V
73	50V
74	50V
75	50V
76	50V
77	50V
78	50V
79	50V
80	50V
81	50V
82	50V
83	50V
84	50V
85	50V
86	50V
87	50V
88	50V
89	50V
90	50V
91	50V
92	50V
93	50V
94	50V
95	50V
96	50V
97	50V
98	50V
99	50V
100	50V

IC TYPE	LOCATION	SPARE
74191	L29	1
74191	L18	1
74191	L27	1
74191	L23	1
74191	L22	1
74191	L21	1
74191	L20	1
74191	L19	1
74191	L18	1
74191	L17	1
74191	L16	1
74191	L15	1
74191	L14	1
74191	L13	1
74191	L12	1
74191	L11	1
74191	L10	1
74191	L9	1
74191	L8	1
74191	L7	1
74191	L6	1
74191	L5	1
74191	L4	1
74191	L3	1
74191	L2	1
74191	L1	1

IC LOCATION	W.L. PART No.	QTY	SPARE
L1, 46, 20A	376-0006	7	1*
L2	376-0125	7	1*
L3, 20	376-0002	7	1*
L4, 8, 57	376-0008	8	1*
L5, 16, 21	376-0023	7	1*
L6	376-0016	7	1*
L7, 24	376-0003	7	1*
L8, 15	376-0081	7	1*
L9, 55	376-0008	8	1*
L10, 11, 22, 23, 24, 36	376-0010	7	1*
L11, 16, 50	376-0010	7	1*
L12, 18, 23, 24, 39	376-0203	8	1*
L16, 45	376-0004	7	1*
L17, 26	376-0027	7	1*
L18	376-0126	1	8
L19	376-0238	7	1*
L20, 37, 52	376-0201	7	1*
L21, 49	376-0082	8	1*
L22, 60	376-0011	16	5
L23, 55	376-0137	7	1*
L24, 35	376-0199	7	1*
L25	376-0105	7	1*
L26, 51, 51, 51	376-0034	8	1*
L27, 54, 12A	376-0200	7	1*
L28	376-0197	7	1*
L29A	376-0174	8	1*

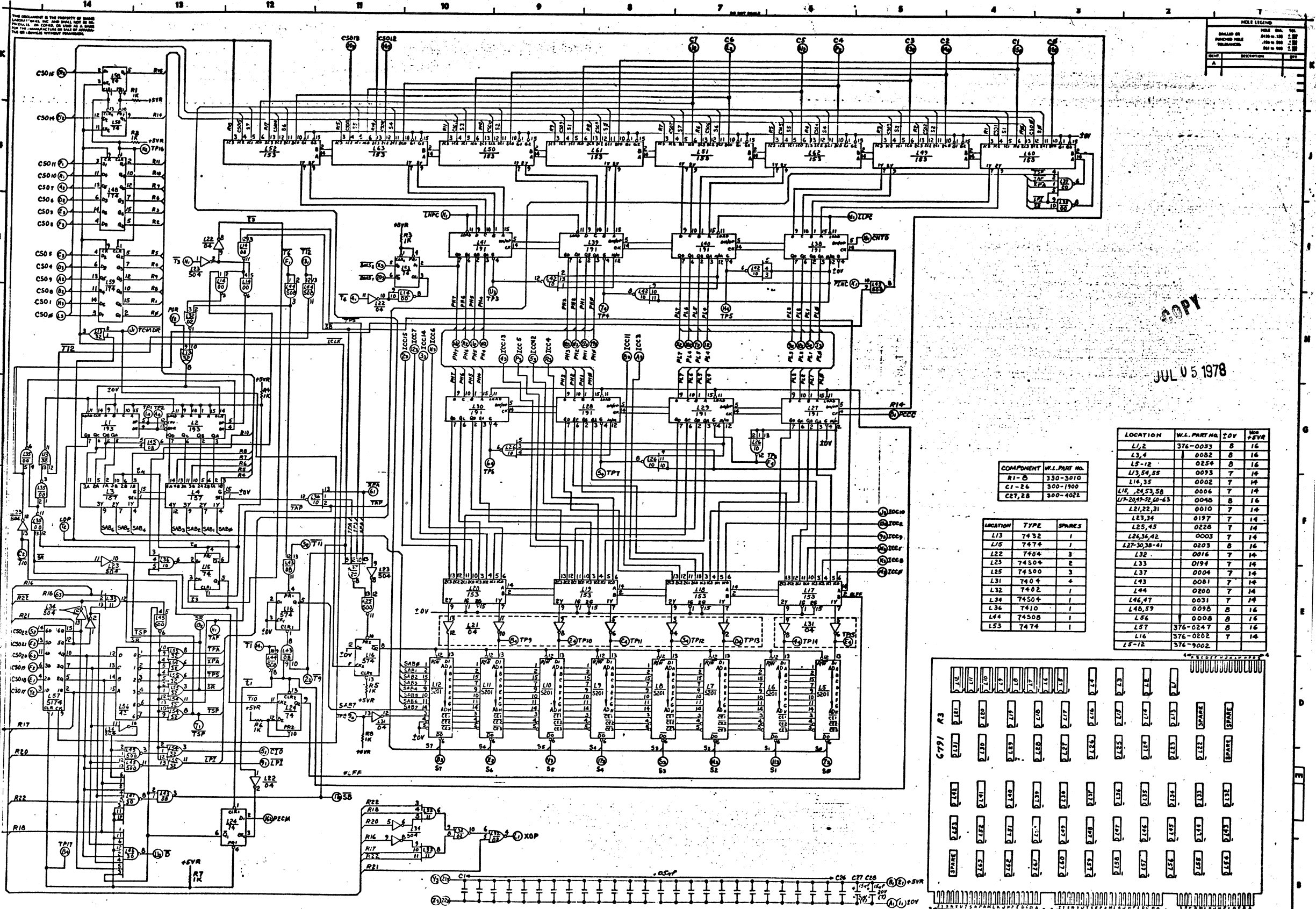
COMPONENT	W.L. PART No.
R1, 4-12	330-3010
R2	330-2039
R3	330-3024
BUS BAR	654-0517
C1, 3, 4	300-1903
C2	300-8006
C3, 20	300-6026
CG TRAU 17	300-1900
J1	376-9005



REV	DESCRIPTION	DATE
1		

WANG PART NO.	ITEM	QTY	NAME	MATERIAL	DESCRIPTION
210-6790	1	1	INSTRUCTION COUNTER BOARD		

1978
COPY

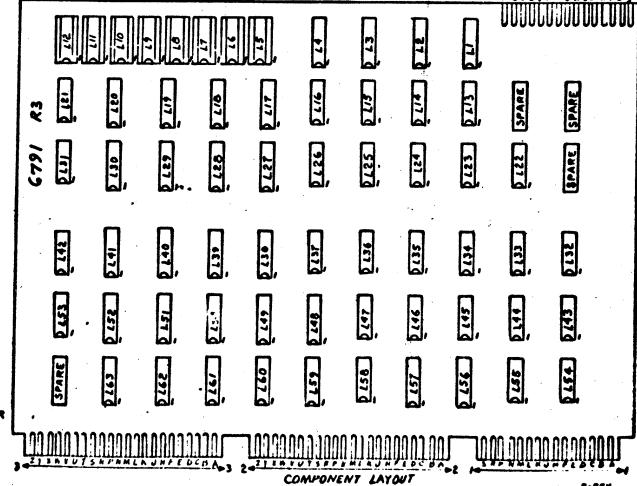


COPY
JUL 05 1978

COMPONENT	W.L. PART NO.
R1-8	330-3010
C1-26	300-1900
C27,28	300-4022

LOCATION	TYPE	SPARES
L13	7432	1
L15	7474	1
L22	7404	3
L23	74504	2
L25	74500	3
L31	7404	4
L32	7402	1
L34	74504	1
L36	7410	1
L44	74508	1
L53	7474	1

LOCATION	W.L. PART NO.	QTY	REV
L1,2	376-0053	8	16
L3,4	0082	8	16
L5-12	0254	8	16
L13,14,15	0093	7	14
L16,17	0002	7	14
L18,19,20,21,22,23,24	0006	7	14
L25,26,27,28,29,30,31,32,33,34,35,36,37,38,39,40,41,42,43,44,45,46,47,48,49,50,51,52,53,54,55,56,57,58,59,60,61,62,63,64,65,66,67,68,69,70,71,72,73,74,75,76,77,78,79,80,81,82,83,84,85,86,87,88,89,90,91,92,93,94,95,96,97,98,99,100	0046	8	16
L21,22,31	0010	7	14
L23,34	0197	7	14
L25,45	0228	7	14
L26,36,42	0003	7	14
L27,30,38-41	0203	8	16
L32	0016	7	14
L33	0194	7	14
L37	0004	7	14
L43	0081	7	14
L44	0200	7	14
L46,47	0031	7	14
L40,59	0095	8	16
L56	0008	8	16
L57	376-0247	8	16
L16	376-0202	7	14
L5-12	376-9002	7	14

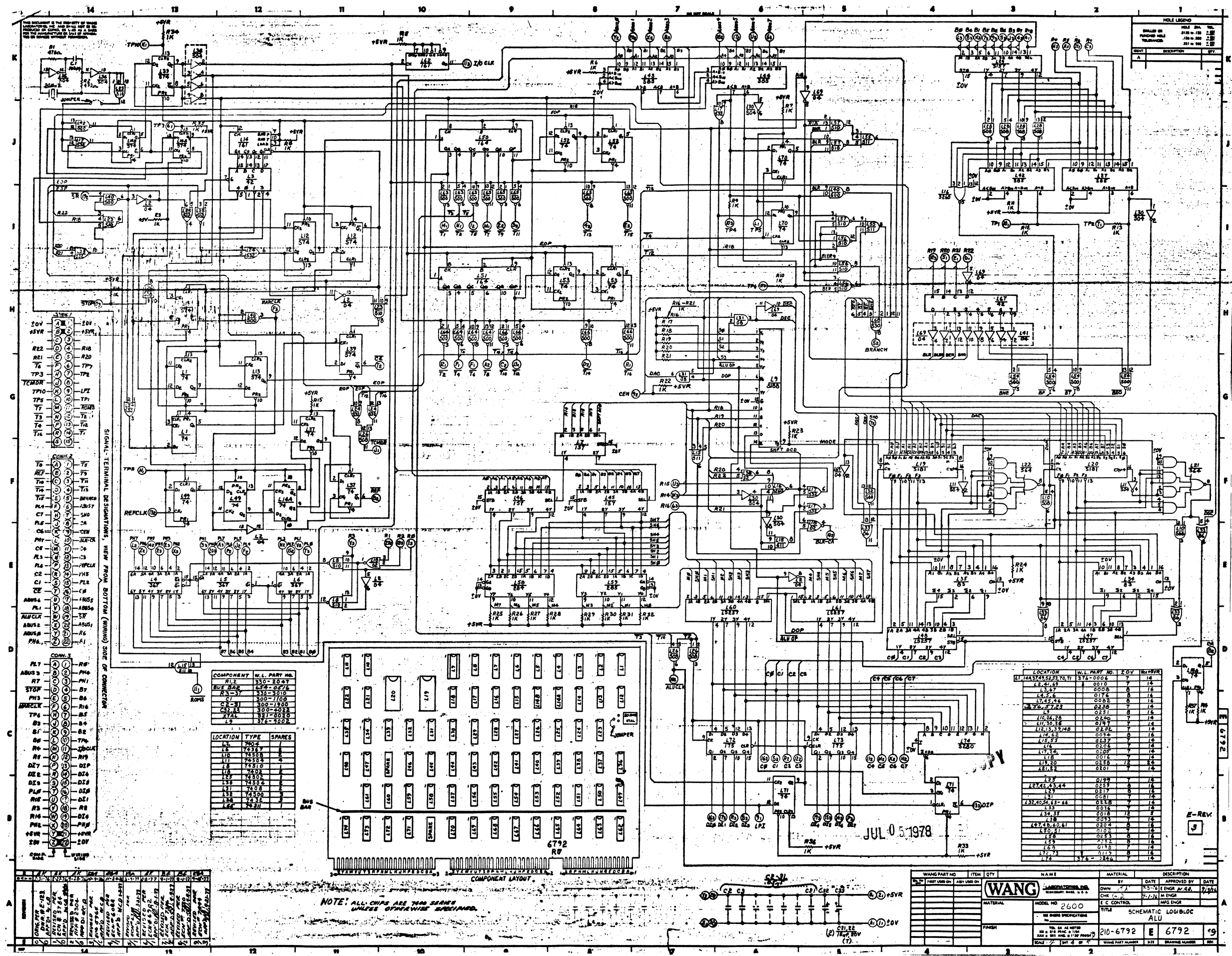


NOTE: ALL IC CHIPS ARE 7400 SERIES UNLESS OTHERWISE NOTED.

SIGNAL-TERMINAL DESIGNATIONS, VIEW FROM BOTTOM (WIRING) SIDE OF CONNECTOR

WANG PART NO.	ITEM	QTY	NAME	MATERIAL	DESCRIPTION
210-6791	E	1	6791	WANG	5711 MATIC LOGIC/IO STACK & PROGRAM COUNTER

DATE: 7/1/78
BY: [Signature]
APPROVED BY: [Signature]



HOLE LEGEND

DRILL DIA	DRILL DIA	DRILL DIA
1/16"	1/8"	1/4"
1/32"	1/16"	1/8"
1/64"	1/32"	1/16"

SIGNAL-TERMINAL DESIGNATIONS, VIEW FROM BOTTOM (PINNO SIDE OF CONNECTION)

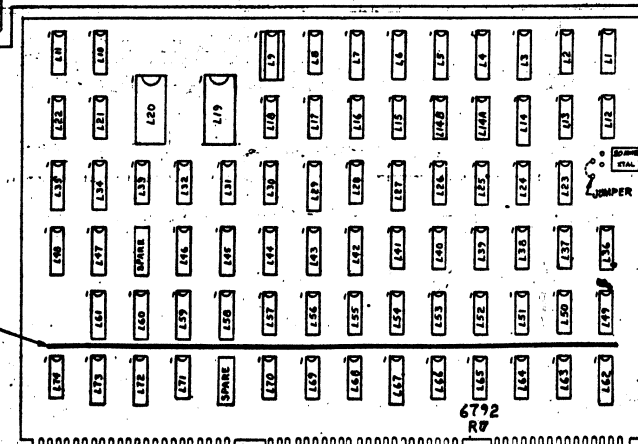
20V	20V	20V	20V	20V	20V	20V	20V
+5VR	+5VR	+5VR	+5VR	+5VR	+5VR	+5VR	+5VR
TP0	TP1	TP2	TP3	TP4	TP5	TP6	TP7
REFCLK	REFCLK	REFCLK	REFCLK	REFCLK	REFCLK	REFCLK	REFCLK

COMPONENT

QTY	W.L. PART NO.
250	250-250
500	500-500
1000	1000-1000
2000	2000-2000

LOCATION TYPE SPARES

LOCATION	TYPE	SPARES
100	100	1
200	200	1
300	300	1
400	400	1



NOTE: ALL CHIPS ARE 700 SERIES UNLESS OTHERWISE SPECIFIED.

REVISIONS

NO.	DATE	DESCRIPTION
1	7/5/78	INITIAL RELEASE
2	7/10/78	REVISED FOR MFG
3	7/15/78	REVISED FOR MFG

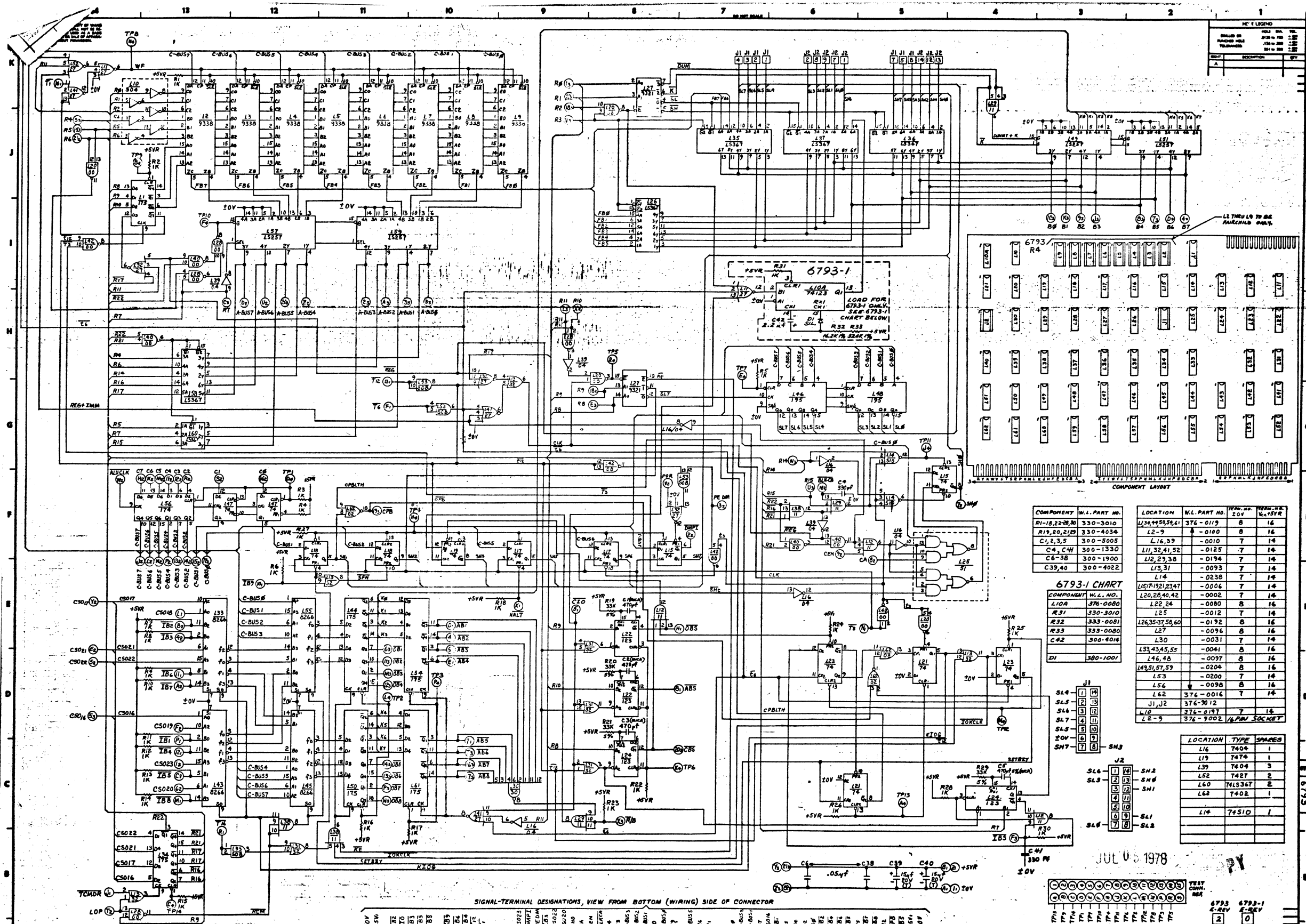
LOCATION W.L. PART NO. E.O.V. (REV.)

U100	250-250	7	14
U101	250-250	7	14
U102	250-250	7	14
U103	250-250	7	14
U104	250-250	7	14

WANG

MODEL NO 2600	TITLE SCHEMATIC LOGIC BLOCK
FINISH	210-6792
SCALE	6792

DATE 7-10-78



HC 1 LEGEND

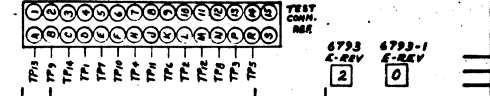
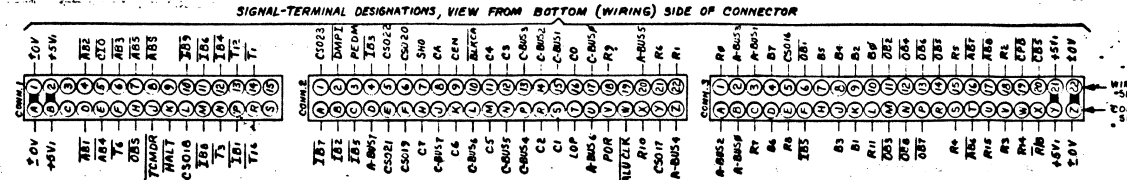
SYMBOL	DESCRIPTION	QTY
A		

COMPONENT	W.L. PART NO.	LOCATION	W.L. PART NO.	QTY	REMARKS
R1-18, 22-28, 30	330-3010	L1, 14, 15, 28, 30	376-0119	8	16
R19, 20, 21, 23	330-4034	L2-9	-0160	8	16
C1, 2, 3, 5	300-5005	L16, 39	-0010	7	14
C4, C4H	300-1330	L11, 32, 41, 52	-0125	7	14
C6-38	300-1900	L12, 29, 38	-0194	7	14
C39, 40	300-4022	L13, 31	-0093	7	14

6793-1 CHART

COMPONENT	W.L. PART NO.	LOCATION	W.L. PART NO.	QTY	REMARKS
L10A	376-0080	L10A, 19, 21, 23, 47	-0004	7	14
R31	330-3010	L25	-0012	7	14
R32	333-0081	L26, 35, 37, 50, 60	-0192	8	16
R33	333-0080	L27	-0094	8	16
C42	300-4016	L30	-0031	7	14
D1	380-1001	L33, 43, 45, 55	-0041	8	16
		L46, 48	-0097	8	16
		L49, 51, 57, 59	-0204	8	16
		L53	-0200	7	14
		L56	-0098	8	16
		L62	376-0014	7	14
		J1, J2	376-2012	7	14
		L2-9	376-9002	14	14

LOCATION	TYPE	SPACES
L16	T406	1
L19	T474	1
L39	T404	3
L52	T427	2
L60	T41347	2
L63	T402	1
L14	T4510	1



REV	DESCRIPTION	DATE	BY
1	ORIGINAL DESIGN		
2	REVISED FOR...		
3	REVISED FOR...		
4	REVISED FOR...		
5	REVISED FOR...		
6	REVISED FOR...		
7	REVISED FOR...		
8	REVISED FOR...		
9	REVISED FOR...		
10	REVISED FOR...		
11	REVISED FOR...		
12	REVISED FOR...		
13	REVISED FOR...		
14	REVISED FOR...		

WANG

MODEL NO. 6600

DATE: 7-17-78

APPROVED BY: [Signature]

DATE: 7-27-78

DESCRIPTION: SCHEMATIC LOGIC REGISTER 6793

WANG PART NUMBER: 210-6793

SIZE: 6

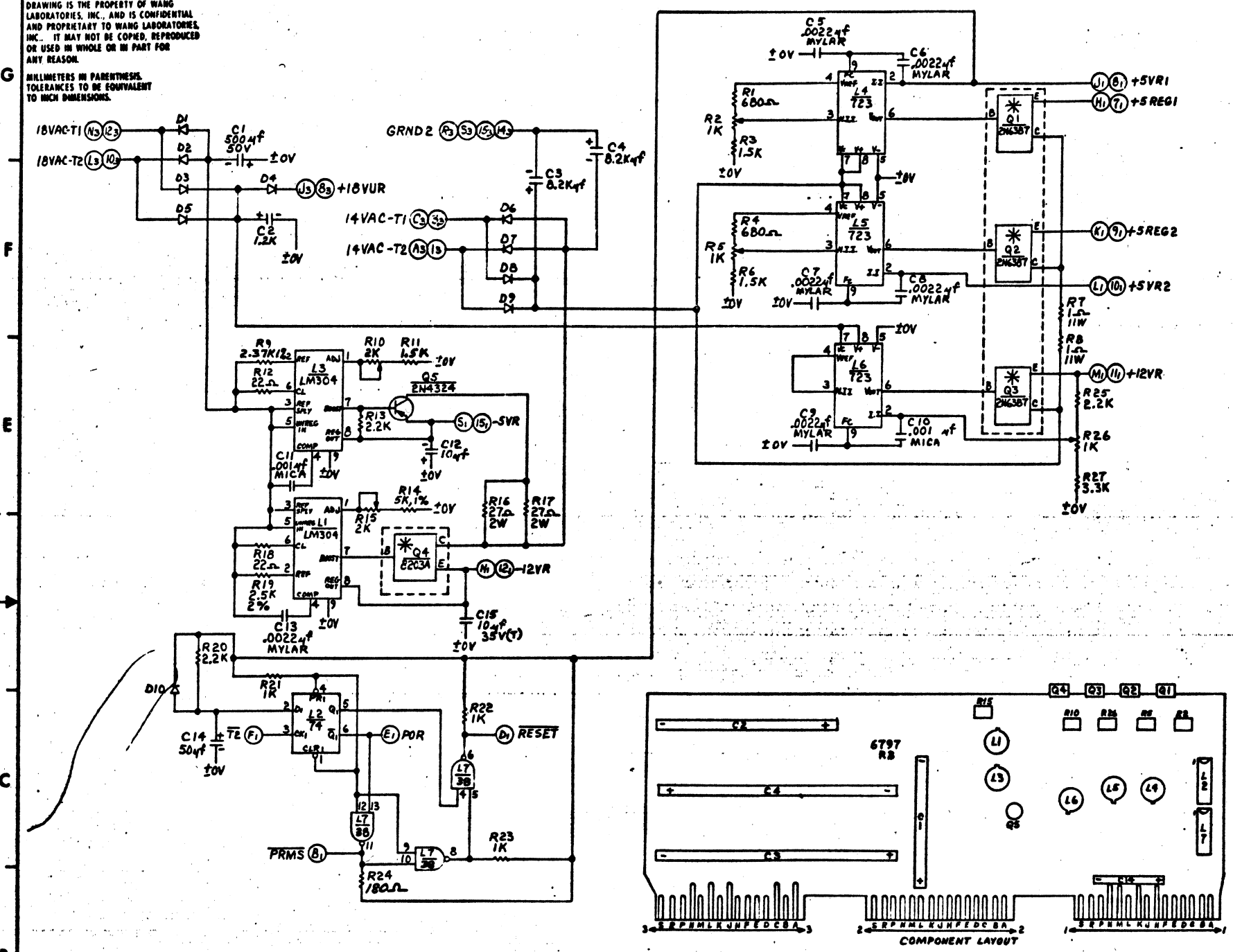
JUL 15 1978

THE INFORMATION CONTAINED IN THIS DRAWING IS THE PROPERTY OF WANG LABORATORIES, INC. AND IS CONFIDENTIAL AND PROPRIETARY TO WANG LABORATORIES, INC. IT MAY NOT BE COPIED, REPRODUCED OR USED IN WHOLE OR IN PART FOR ANY REASON.

MILLIMETERS IN PARENTHESES. TOLERANCES TO BE EQUIVALENT TO INCH DIMENSIONS.

DO NOT SCALE

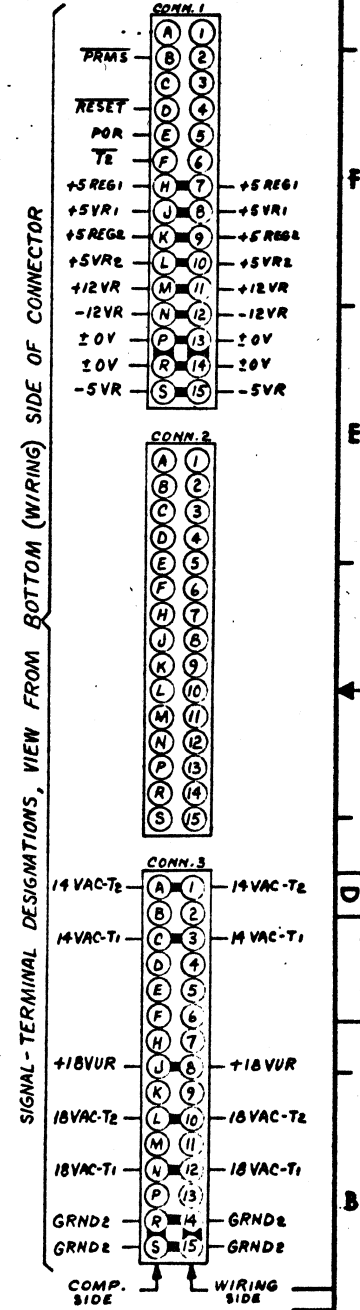
HOLE LEGEND & TOLERANCES		
8155 - 115	±0.01	0.01
120 - 250	±0.02	0.02
131 - 150	±0.03	0.03
SYM	DESCRIPTION	QTY.
A		



LOCATION	W.L. PART NO.	TERM. NO. ±0V	TERM. NO. Vc+5VR
L1,3	376-0134	9	—
L2	376-0006	7	14
L4,5,6	376-0066	5	—
L7	376-0128	7	14

COMPONENT	W.L. PART NO.
R1,4	330-2068
R2,5,26	336-1014
R3,6,11	330-3015
R7,8	334-0000
R 13,20,25	330-3022
R12,18	330-1022
R14	333-0015
R10,R15	336-1022
R16,17	337-1027
R19	333-0014
R21,22,23	330-3010
R27	330-3033
C1	300-3053
C2	300-3055
C3,4	300-3078
C5-9,13	300-2022
C10,11	300-5006
C12,15	300-4032
C14	300-3010
Q1,2,3	375-1052
Q4	375-1053
Q5	375-1024
D1,2,10	380-4000
D3-9	380-3004
R24	330-2018
R9	333-0093

LOCATION	TYPE	SPARES
L2	7474	1
L7	7438	1



JUL 05 1978

COPY

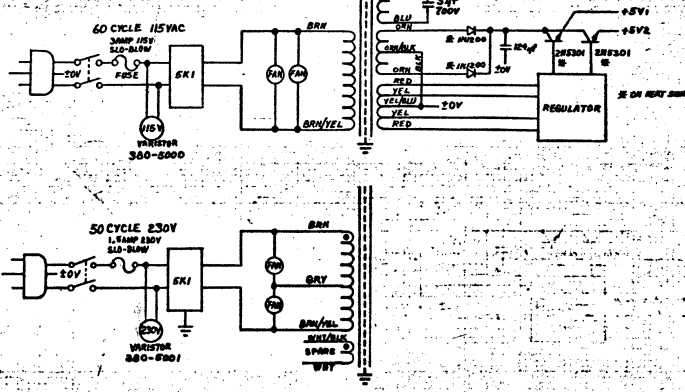
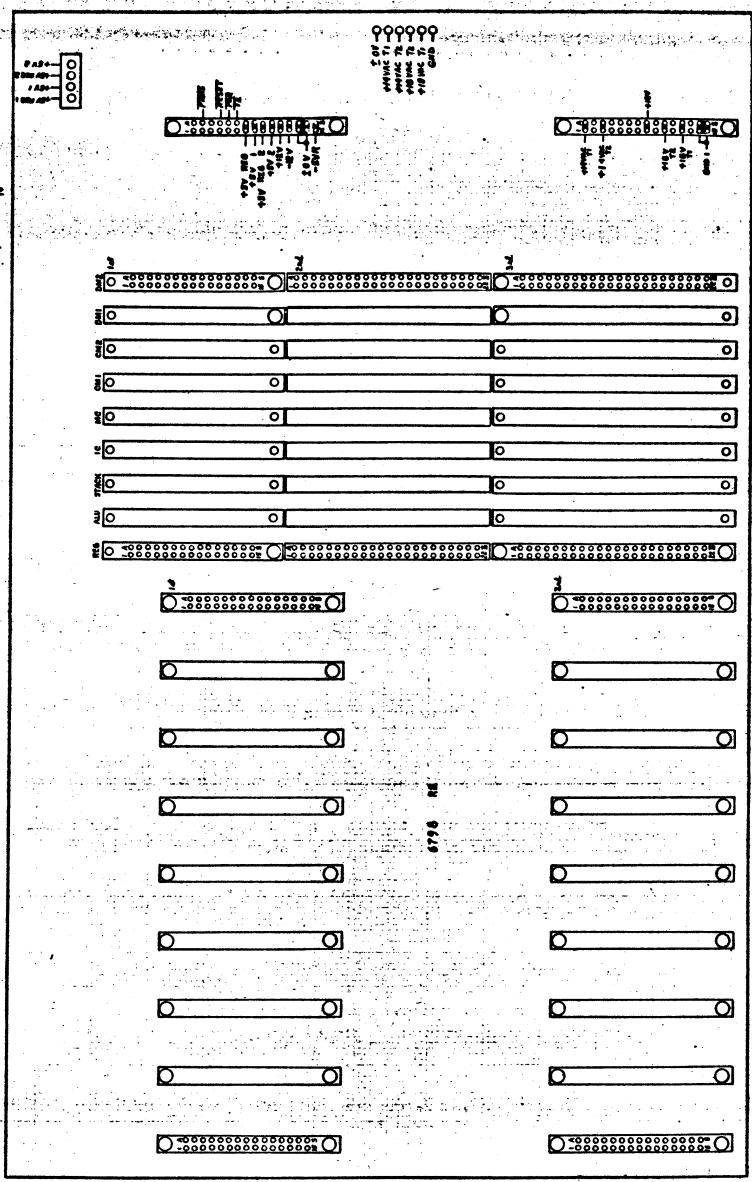
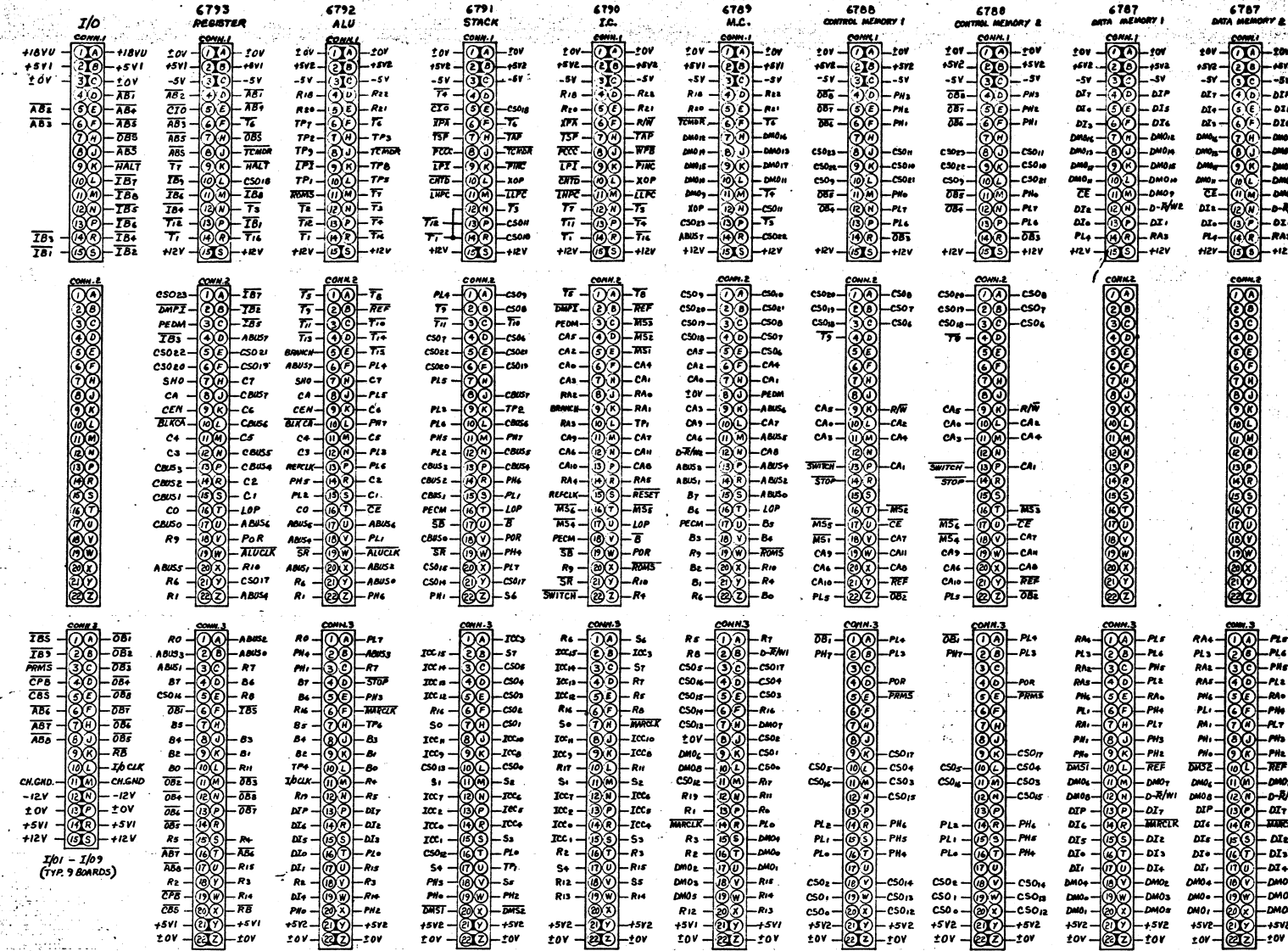
F-REV 2

ALL I.C. CHIPS ARE 7400 SERIES UNLESS OTHERWISE SPECIFIED.
* THESE COMPONENTS MOUNT ON REGULATOR BOARD HEAT SINK.

NO.	REVISION	DATE	BY	DESCRIPTION
1	ORIG. PER DWGERS	7-5-78	WANG	SCHEMATIC LOGIBLOC REGULATOR
2	APP'D BY W.C.M.			
3	REVISED PER RFA # 2272			
4	REVISED PER RFA # 2272			
5	REVISED PER RFA # 2272			
6	REVISED PER RFA # 2272			
7	REVISED PER RFA # 2272			
8	REVISED PER RFA # 2272			
9	REVISED PER RFA # 2272			
10	REVISED PER RFA # 2272			
11	REVISED PER RFA # 2272			

QTY.	ITEM	WANG PART NO.	DRAWING NO.	DESCRIPTION
	NEXT ASSY.			
		WANG		LABORATORIES, INC. TELECOMMUNICATIONS DIVISION
	MATERIAL		MODEL NO. 2600	SEE ENGBG SPECIFICATIONS
	FINISH			
				TOL. IS AS NOTED
				33 ± FRACTION ±
				332 ± ANG ± FINISH
				SCALE: 1/8" = 1"
				WANG PART NUMBER 517
				DRAWING NUMBER 6797
				REV 4

THIS DOCUMENT IS THE PROPERTY OF WANG LABORATORIES INC. AND IS TO BE USED ONLY FOR THE PURPOSES SPECIFIED HEREIN. IT IS TO BE RETURNED TO WANG LABORATORIES INC. AT THE END OF THE PROJECT.



COMPONENT	W.L. PART NO
30 PIN CONN.	350-0011
44 PIN CONN.	350-0021
44 PIN CONN.	350-0039
GND BUS	654-1154
4 PIN HEADY ASSY.	654-1194

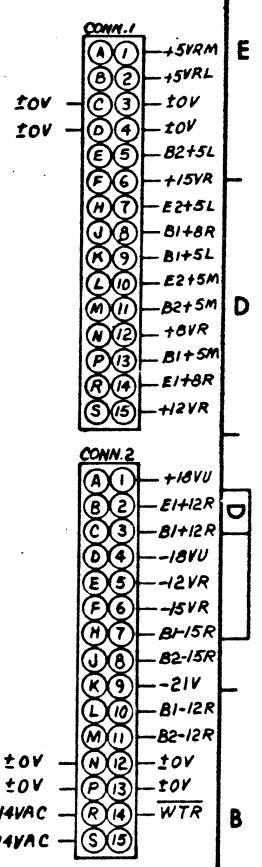
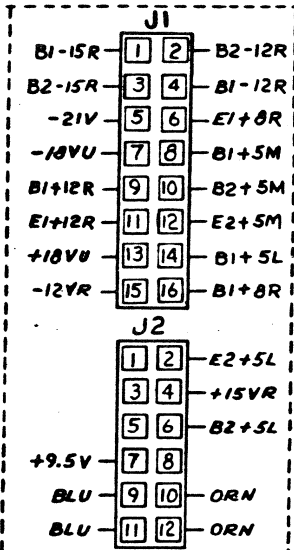
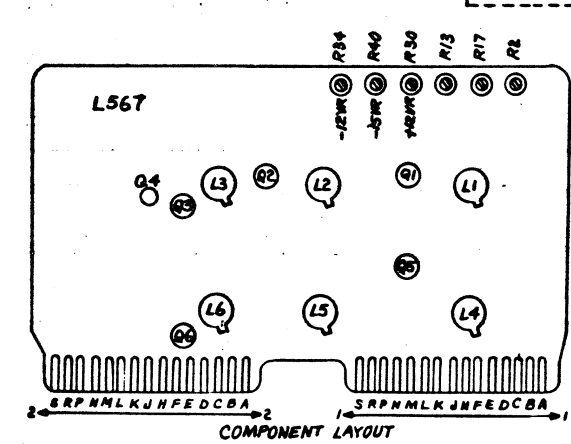
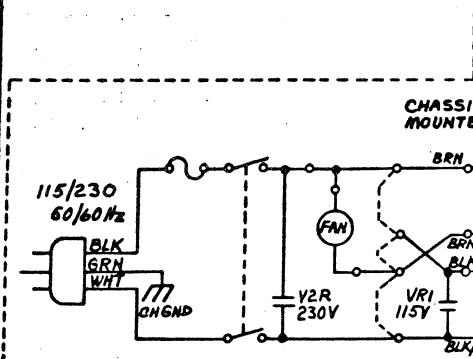
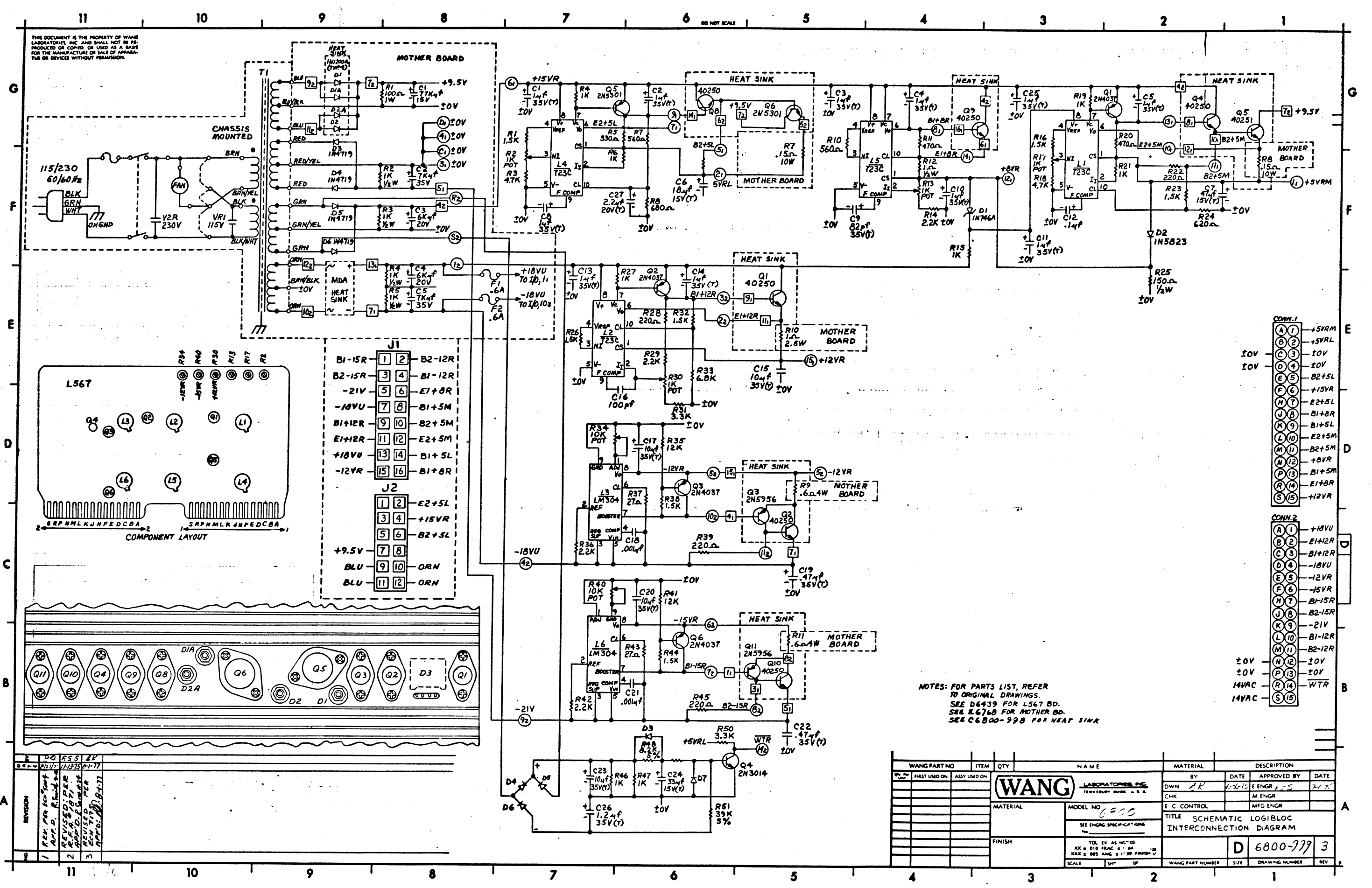
REVISIONS
1. REVISED FOR...
2. REVISED FOR...
3. REVISED FOR...
4. REVISED FOR...
5. REVISED FOR...

JUL 05 1978
COPY

WANG PART NO	ITEM	QTY	NAME	MATERIAL	DESCRIPTION

LABORATORIES INC.
MODEL NO. 2600
TITLE MOTHERBOARD
DATE 7/2/78
ENGR J.F. ENG'G 7/1/78
CHE. C.D. M. ENGR
E.C. CONTROL
WANG ENGR
SCALE 1/8" = 1" (SEE DRAWING FOR DIMENSIONS)
SCALE 1/8" = 1" (SEE DRAWING FOR DIMENSIONS)
WANG PART NUMBER 210-6798 E 6798 2

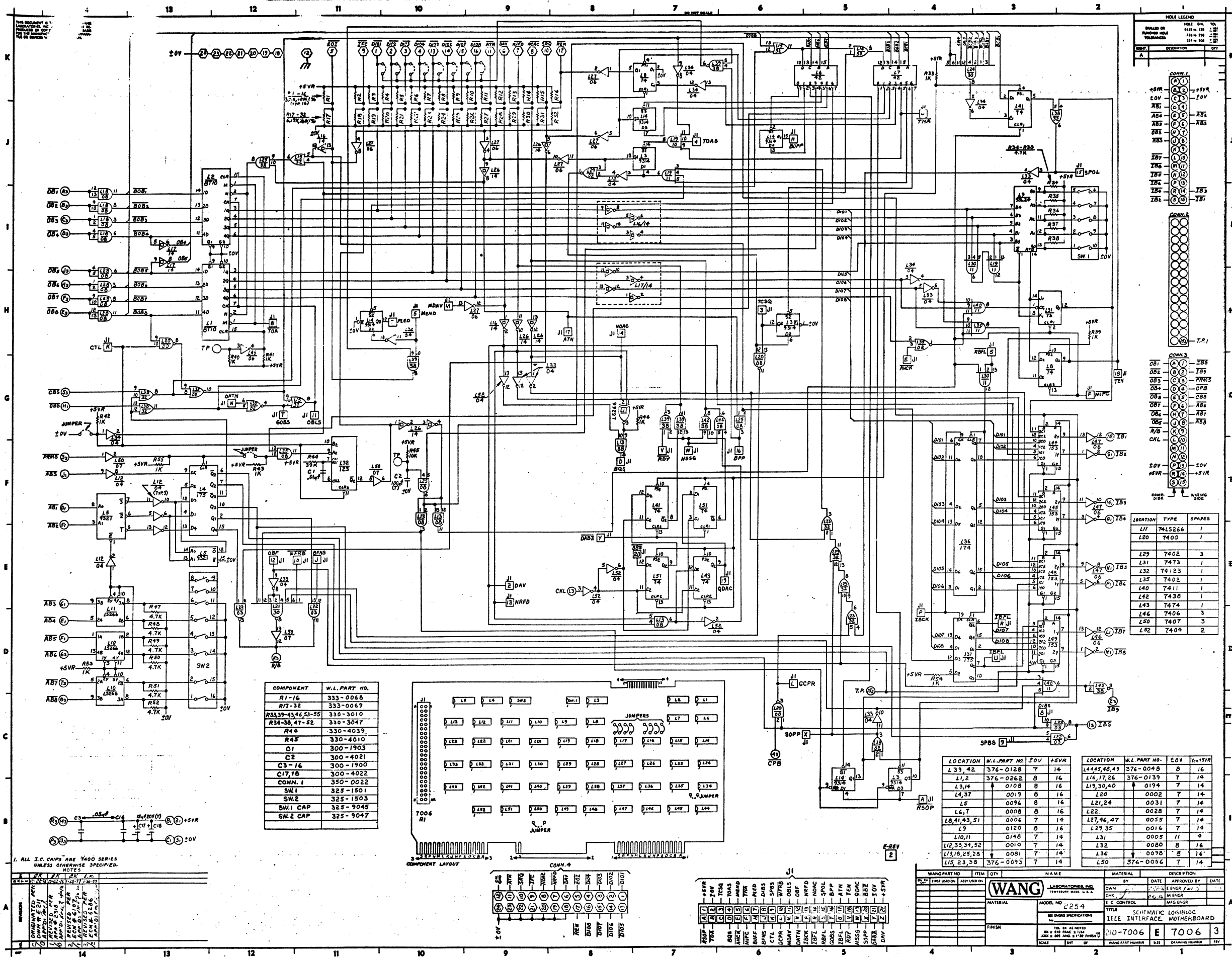
THIS DOCUMENT IS THE PROPERTY OF WANG LABORATORIES, INC. AND SHALL NOT BE REPRODUCED OR COPIED, OR USED AS A BASIS FOR THE MANUFACTURE OR SALE OF APPARATUS OR DEVICES WITHOUT PERMISSION.



NOTES: FOR PARTS LIST, REFER TO ORIGINAL DRAWINGS.
SEE D6439 FOR L567 BD.
SEE E6768 FOR MOTHER BD.
SEE C6800-998 FOR HEAT SINK

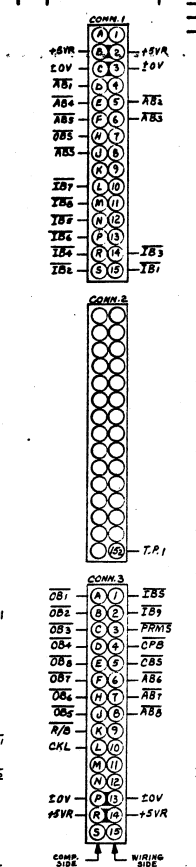
REV.	DATE	BY	CHK.	DESCRIPTION
1	REV. PER 100-1000	APP. D.	REV. 10/17/77	REVISED PER 100-1000
2	REV. PER 100-1000	APP. D.	REV. 10/17/77	REVISED PER 100-1000
3	REV. PER 100-1000	APP. D.	REV. 10/17/77	REVISED PER 100-1000

WANG PART NO.	ITEM	QTY	N A M E	MATERIAL	DESCRIPTION
	FIRST USED ON	ASSY USED ON			
			WANG	LABORATORIES, INC.	TELECOMMUNICATIONS & A.
			MATERIAL	MODEL NO.	6800
			FINISH	SEE ENGR SPECIFICATIONS	
			TOL EX AS NOTED	XX ± 0.10 FRAC ± 1.00	100 ± 0.05 ANG ± 1.00
			SCALE	SHT	OF
				WANG PART NUMBER	SIZE
				D	6800-999 3
				DRAWING NUMBER	REV



HOLE LEGEND

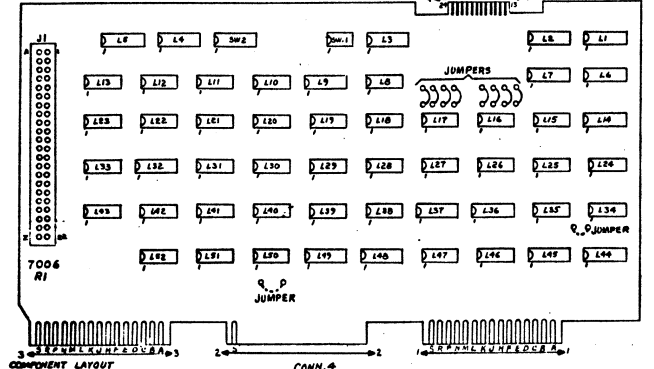
NO.	DESCRIPTION	QTY.
1
2
3
4
5
6
7
8
9
10
11
12
13
14



LOCATION	TYPE	SPARES
L11	74LS266	1
L20	7400	1
L29	7402	3
L31	7473	1
L32	74123	1
L35	7402	1
L40	7411	1
L42	7438	1
L43	7474	1
L46	7406	3
L50	7407	3
L52	7404	2

COMPONENT

W.L. PART NO.
R1-16 333-0068
R17-32 333-0069
R33-35, 43-45 330-3010
R34-36, 47-52 330-3047
R44 330-4039
R45 330-4010
C1 300-1903
C2 300-4021
C3-16 300-1900
C17, 18 300-4022
CONN. 1 350-0022
SW. 1 325-1501
SW. 2 325-1503
SW. 1 CAP 325-9045
SW. 2 CAP 325-9047



LOCATION	W.L. PART NO.	±OV	+5VR	LOCATION	W.L. PART NO.	±OV	+5VR
L3, 42	376-0128	7	14	L44, 45, 48, 49	376-0048	8	16
L1, 2	376-0262	8	16	L16, 17, 26	376-0139	7	14
L3, 14	0108	8	16	L19, 30, 40	0194	7	14
L4, 37	0019	8	16	L20	0002	7	14
L5	0096	8	16	L21, 24	0031	7	14
L6, 7	0008	8	16	L22	0028	7	14
L8, 41, 43, 51	0004	7	14	L27, 46, 47	0055	7	14
L9	0120	8	16	L29, 35	0016	7	14
L10, 11	0148	7	14	L31	0005	11	4
L12, 33, 34, 52	0010	7	14	L32	0080	8	16
L13, 15, 25, 28	0081	7	14	L36	0078	8	16
L15, 23, 38	376-0093	7	14	L50	376-0056	7	14

1. ALL I.C. CHIPS ARE 7400 SERIES UNLESS OTHERWISE SPECIFIED.

NOTES

1. BOARD TO BE MOUNTED ON 7006 RI BOARD.

2. BOARD TO BE MOUNTED ON 7006 RI BOARD.

3. BOARD TO BE MOUNTED ON 7006 RI BOARD.

4. BOARD TO BE MOUNTED ON 7006 RI BOARD.

5. BOARD TO BE MOUNTED ON 7006 RI BOARD.

6. BOARD TO BE MOUNTED ON 7006 RI BOARD.

7. BOARD TO BE MOUNTED ON 7006 RI BOARD.

8. BOARD TO BE MOUNTED ON 7006 RI BOARD.

9. BOARD TO BE MOUNTED ON 7006 RI BOARD.

10. BOARD TO BE MOUNTED ON 7006 RI BOARD.

11. BOARD TO BE MOUNTED ON 7006 RI BOARD.

12. BOARD TO BE MOUNTED ON 7006 RI BOARD.

13. BOARD TO BE MOUNTED ON 7006 RI BOARD.

14. BOARD TO BE MOUNTED ON 7006 RI BOARD.

WANG LABORATORIES, INC.

MODEL NO. 2254

TITLE: SCHEMATIC LOGIC/IOCC IEEE INTERFACE MOTHERBOARD

DATE: 12/16/76

BY: [Signature]

APPROVED BY: [Signature]

DATE: 12/16/76

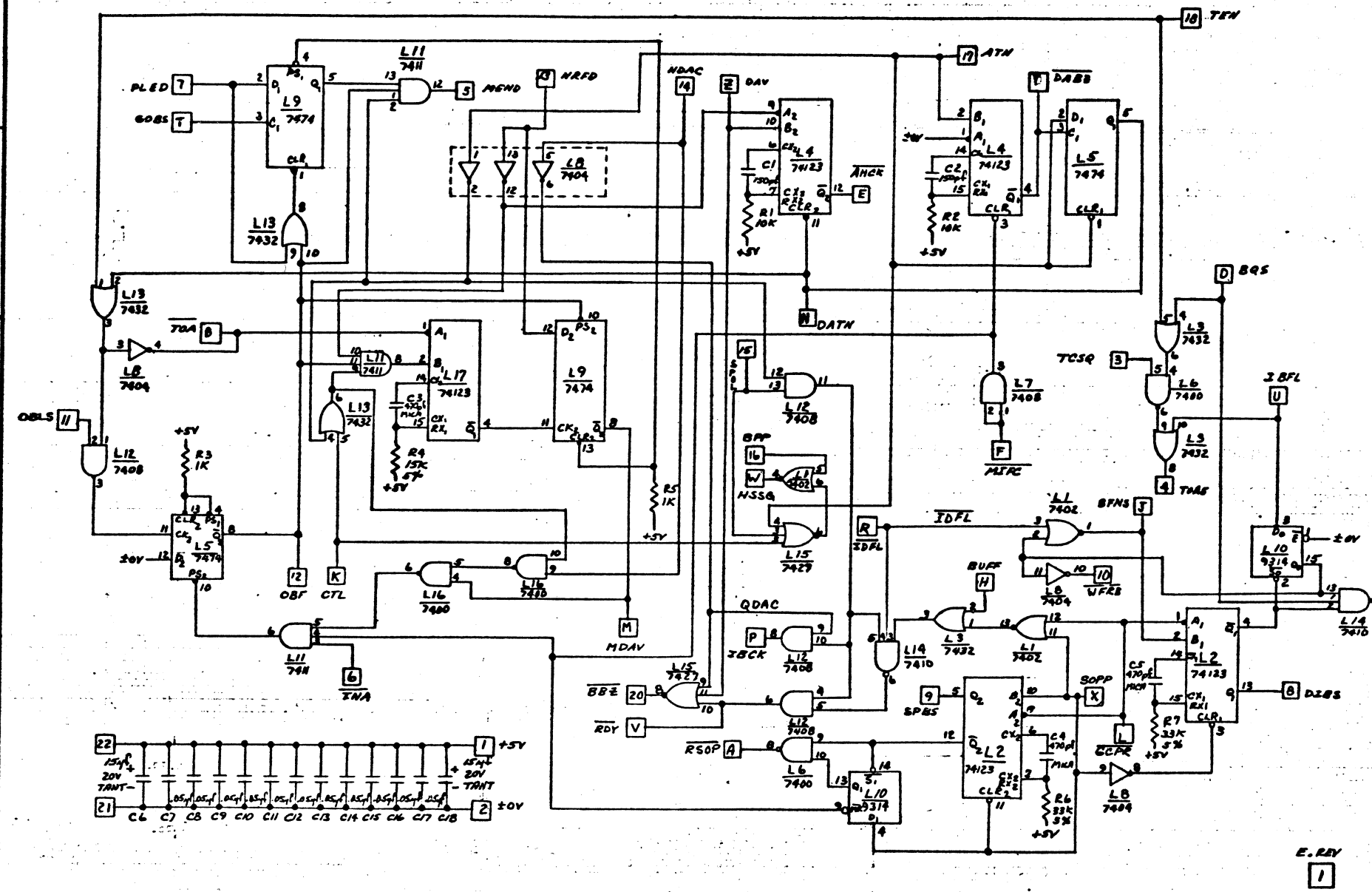
SCALE: 1:1

WANG PART NO. 7006 3

THE INFORMATION CONTAINED IN THIS DRAWING IS THE PROPERTY OF WANG LABORATORIES, INC. AND IS CONFIDENTIAL AND PROPRIETARY TO WANG LABORATORIES, INC. IT MAY NOT BE COPIED, REPRODUCED OR USED IN WHOLE OR IN PART FOR ANY REASON.

W.L. DIMETERS IN PARENTHESES. TOLERANCES TO BE EQUIVALENT TO DIMENSIONS.

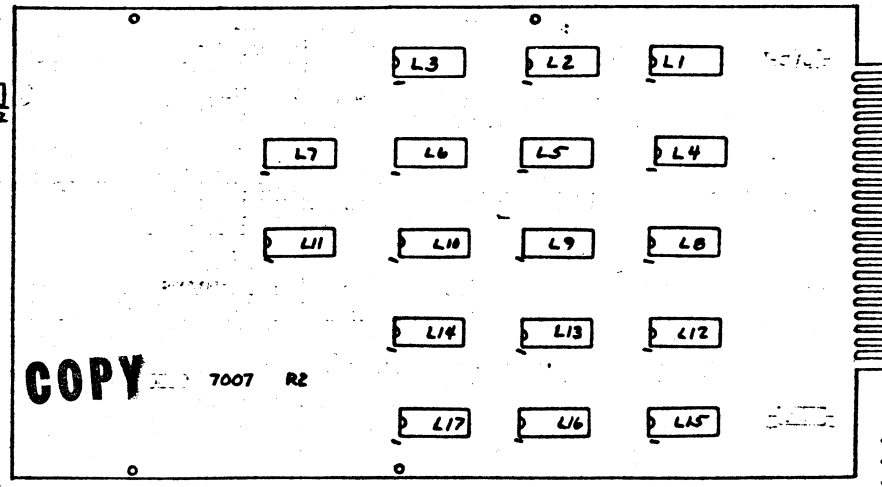
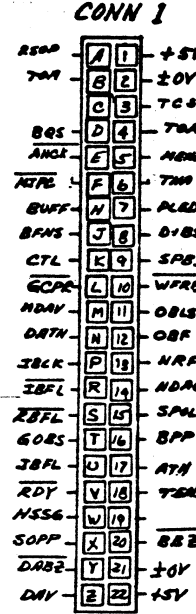
HOLE LEGEND & TOLERANCES		
HOLE DIA	TOLERANCE	
.0125 - .125	+ .005 - .000	
.125 - .150	+ .000 - .000	
.151 - .300	+ .000 - .001	
SYMBOL	DESCRIPTION	QTY.
A		



LOCATION	W.L. PT. NO.	VCC	QND
L1	376-0016	14	7
L2, 4, 17	376-0080	16	8
L3, 13	376-0093	14	7
L5, 9	376-0006	14	7
L6, 16	376-0002	14	7
L7, 12	376-0081	14	7
LB	376-0010	18	7
L10	376-0108	16	8
L11	376-0194	14	7
L14	376-0003	14	7
L15	376-0125	14	7

COMPONENT	W.L. PT. NO.
R1, 2	330-4010
R3, 5	330-3010
R4	330-4016
R6, 7	330-4034
C1, 2	300-1150
C3, 4, 5	300-5005
C6, 10	300-4022
C7, THRU 17	300-1900

SPARES		
TYP	LOC	SP
7400	L6	2
7400	L16	2
7402	L1	1
7408	L7	3
7410	L14	1
7427	L15	1
7432	L3	1
7432	L13	1
74123	L17	1



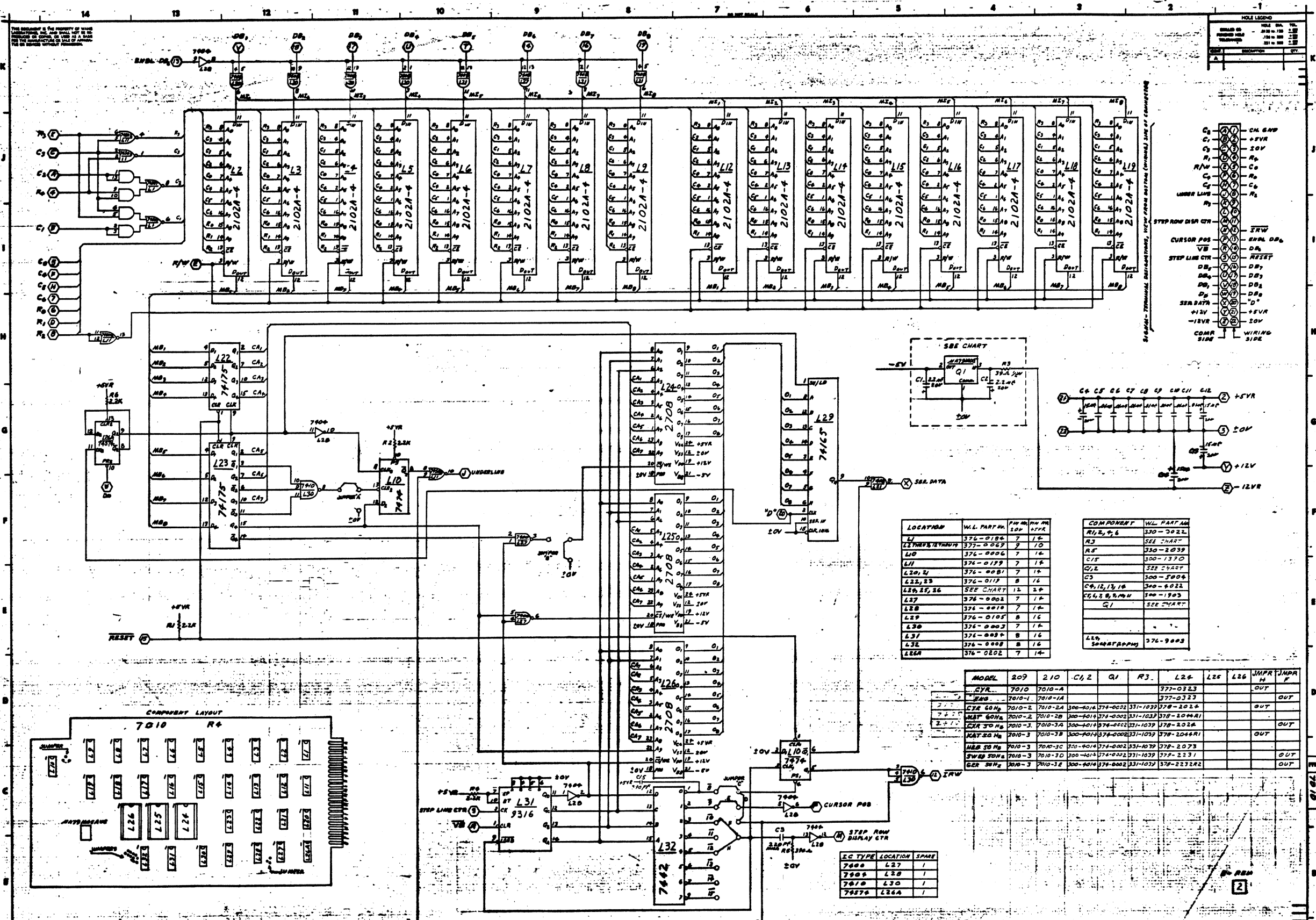
REV	DATE	BY	DESCRIPTION
1	10-7-76	EBA	ISSUED PER
2	1-6-77	EBA	ISSUED PER

QTY.	ITEM	WANG PART NO.	DRAWING NO.	DESCRIPTION

BY	DATE	APPROVED BY	DATE
DWH EBA	10-7-76	E ENGR	10-14-76
CNK G.D.		M ENGR	

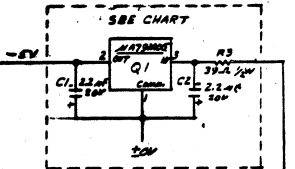
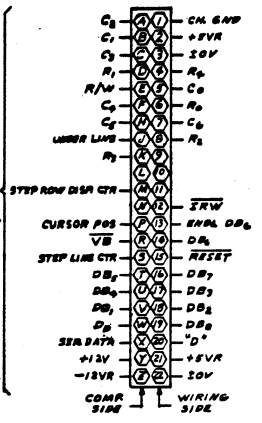
MATERIAL	MODEL NO.	TITLE
	2254	SCHEMATIC FOR
		IEEE INTERFACE DAUGHTER BD

FINISH	SCALE	SHT	OF	DATE	SIZE	DRAWING NUMBER	QTY.
		7	4	JUL 05 1978	D	7007	1



HOLE LEGEND

NO.	DESCRIPTION	QTY.
1
2



LOCATION

LOCATION	W/L PART NO.	REV.	QTY.
L1	376-0186	7	14
L2	376-0257	8	14
L3	376-0006	7	14
L4	376-0178	7	14
L5, L6	376-0087	7	14
L7, L8	376-0117	8	14
L9, L10, L11	SEE CHART		
L12, L13	376-0001	7	14
L14, L15, L16	376-0010	7	14
L17	376-0105	8	14
L18	376-0003	7	14
L19	376-0088	8	14
L20	376-0008	8	14
L21	376-0202	7	14

COMPONENT

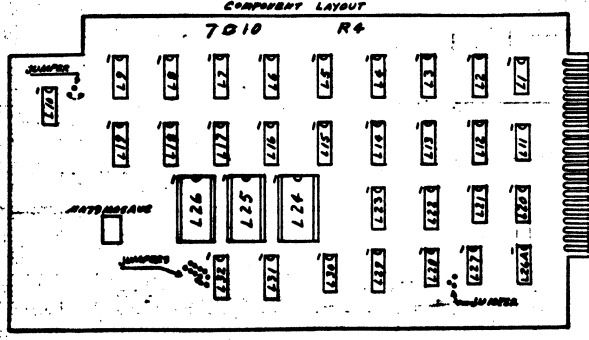
COMPONENT	W/L PART NO.
R1, R2, R3, R4	376-0022
R5	376-0039
C1, C2	376-0004
C3	376-0004
C4, C5, C6, C7, C8, C9, C10, C11, C12	376-0022
C13, C14, C15, C16, C17, C18, C19, C20	376-0003
Q1	376-0003
L24, L25, L26, L27, L28, L29, L30, L31, L32, L33, L34, L35, L36, L37, L38, L39, L40, L41, L42, L43, L44, L45, L46, L47, L48, L49, L50, L51, L52, L53, L54, L55, L56, L57, L58, L59, L60, L61, L62, L63, L64, L65, L66, L67, L68, L69, L70, L71, L72, L73, L74, L75, L76, L77, L78, L79, L80, L81, L82, L83, L84, L85, L86, L87, L88, L89, L90, L91, L92, L93, L94, L95, L96, L97, L98, L99, L100	376-9003

MODEL

MODEL	209	210	C1, 2	Q1	R3	L24	L25	L26	JMPR H	JMPR F
CYR	7010	7010-A							377-0323	OUT
...

EC TYPE

EC TYPE	LOCATION	SPMS
7000	L27	1
7005	L28	1
7070	L30	1
70270	L24A	1



REVISIONS

NO.	DATE	DESCRIPTION
1
2

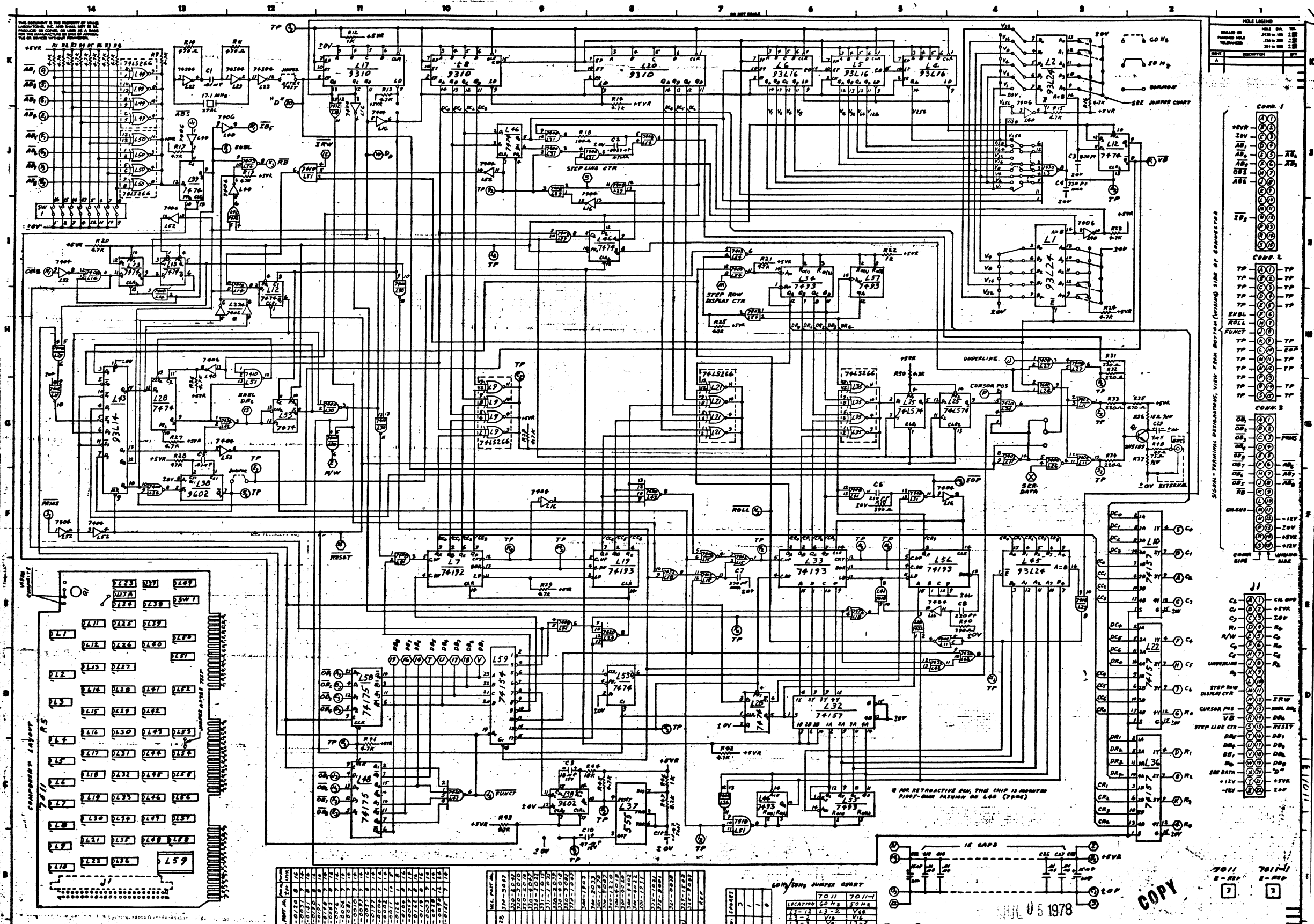
WANG LABORATORIES, INC.

MODEL NO. 22268

TITLE SCHEMATIC

80x24 MEMORY

209-7010 E 7010 7



L17	L23	L29
L18	L24	L30
L19	L25	L31
L20	L26	L32
L21	L27	L33
L22	L28	L34
L23	L29	L35
L24	L30	L36
L25	L31	L37
L26	L32	L38
L27	L33	L39
L28	L34	L40
L29	L35	L41
L30	L36	L42
L31	L37	L43
L32	L38	L44
L33	L39	L45
L34	L40	L46
L35	L41	L47
L36	L42	L48
L37	L43	L49
L38	L44	L50
L39	L45	L51
L40	L46	L52
L41	L47	L53
L42	L48	L54
L43	L49	L55
L44	L50	L56
L45	L51	L57
L46	L52	L58
L47	L53	L59
L48	L54	L60
L49	L55	L61
L50	L56	L62

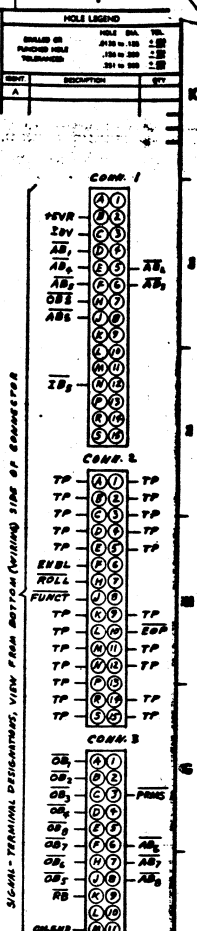
ITEM	DESCRIPTION	QUANTITY
1	WANG 7011	1
2	WANG 7011	1
3	WANG 7011	1
4	WANG 7011	1
5	WANG 7011	1
6	WANG 7011	1
7	WANG 7011	1
8	WANG 7011	1
9	WANG 7011	1
10	WANG 7011	1
11	WANG 7011	1
12	WANG 7011	1

ITEM	DESCRIPTION	QUANTITY
1	WANG 7011	1
2	WANG 7011	1
3	WANG 7011	1
4	WANG 7011	1
5	WANG 7011	1
6	WANG 7011	1
7	WANG 7011	1
8	WANG 7011	1
9	WANG 7011	1
10	WANG 7011	1
11	WANG 7011	1
12	WANG 7011	1

ITEM	DESCRIPTION	QUANTITY
1	WANG 7011	1
2	WANG 7011	1
3	WANG 7011	1
4	WANG 7011	1
5	WANG 7011	1
6	WANG 7011	1
7	WANG 7011	1
8	WANG 7011	1
9	WANG 7011	1
10	WANG 7011	1
11	WANG 7011	1
12	WANG 7011	1

ITEM	DESCRIPTION	QUANTITY
1	WANG 7011	1
2	WANG 7011	1
3	WANG 7011	1
4	WANG 7011	1
5	WANG 7011	1
6	WANG 7011	1
7	WANG 7011	1
8	WANG 7011	1
9	WANG 7011	1
10	WANG 7011	1
11	WANG 7011	1
12	WANG 7011	1

ITEM	DESCRIPTION	QUANTITY
1	WANG 7011	1
2	WANG 7011	1
3	WANG 7011	1
4	WANG 7011	1
5	WANG 7011	1
6	WANG 7011	1
7	WANG 7011	1
8	WANG 7011	1
9	WANG 7011	1
10	WANG 7011	1
11	WANG 7011	1
12	WANG 7011	1



10/5 1978

COPY

WANG

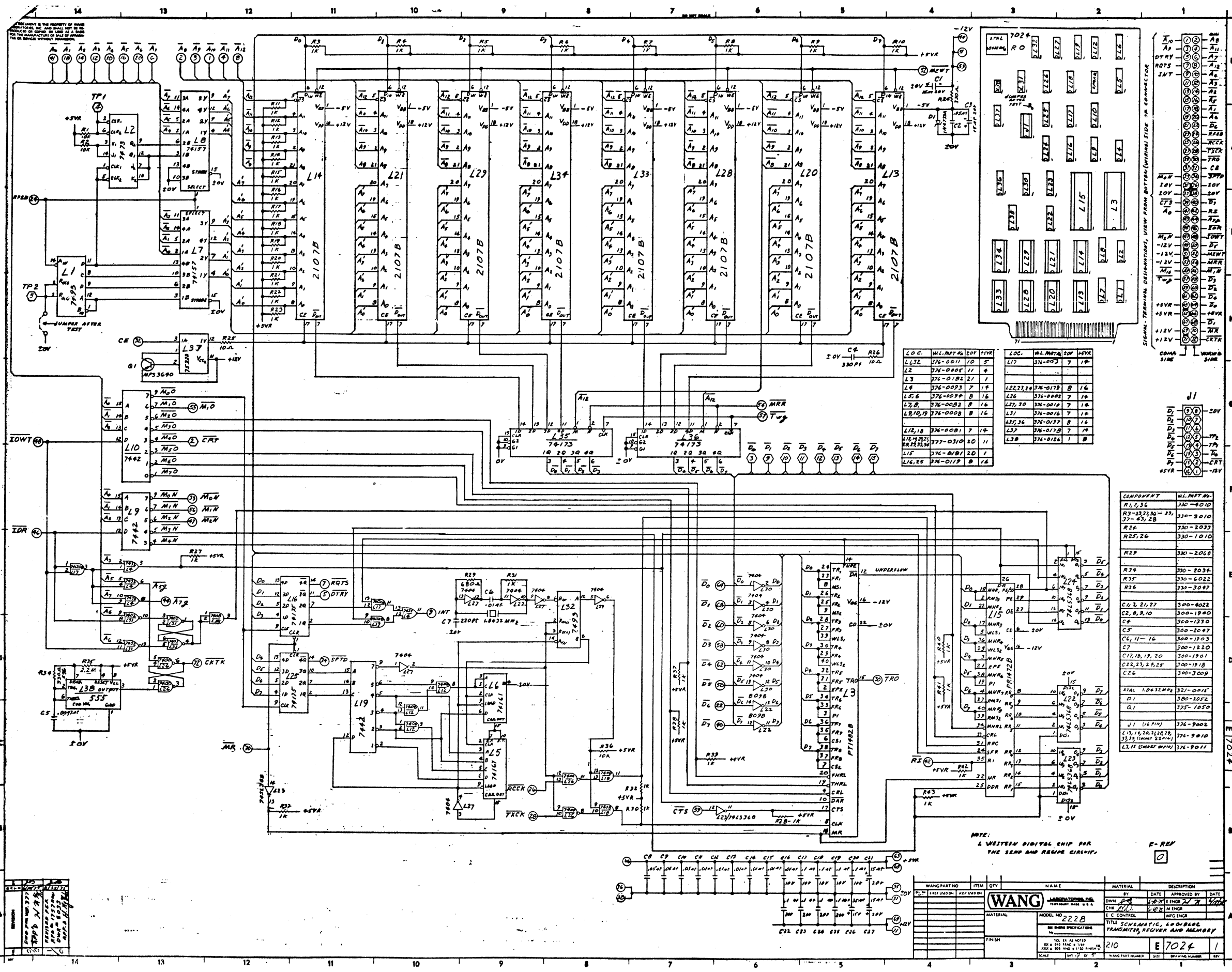
MODEL NO. 7200

TITLE SCHEMATIC

BOX 12 MAIN CONTROL

DATE	APPROVED BY	DATE
10/5 1978		

SEE CHART E 7011



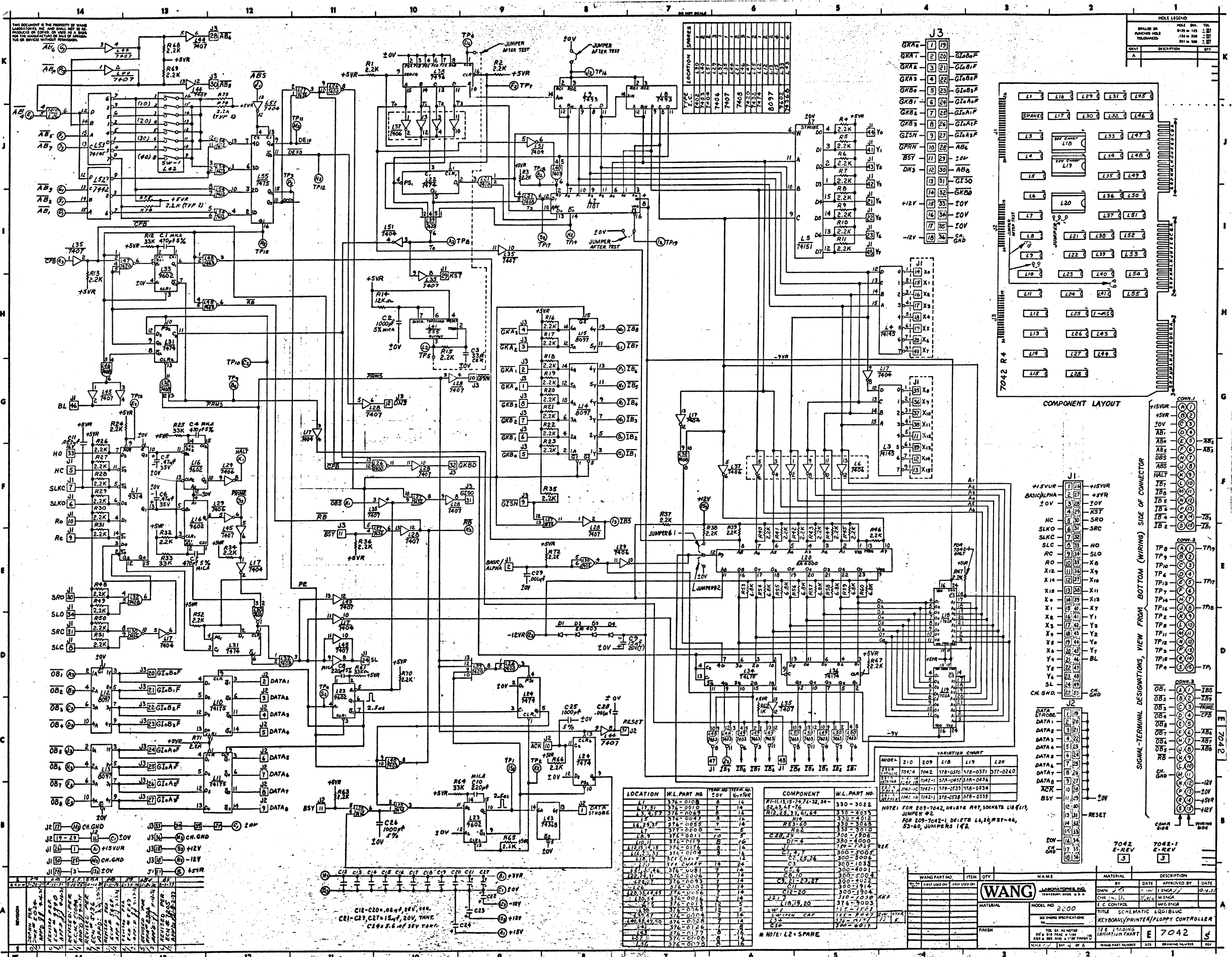
LOC.	WL. PART #	QTY	PKT
L1	376-0011	10	5
L2	376-0005	11	4
L3	376-0102	21	1
L4	376-0093	7	19
L5,6	376-0074	8	16
L7,8	376-0082	8	16
L9,10,19	376-0008	8	16
L11,18	376-0081	7	14
L12,13,20,21,22,23,24	377-0310	20	11
L15	376-0101	20	1
L16,25	376-0119	8	16

COMPONENT	WL. PART #
R1,2,3	330-4010
R3,23,24,25,26,27,28,29	330-3010
R24	330-2033
R25,26	330-1010
R29	330-2068
R39	330-2034
R35	330-6022
R36	330-3042
C1,2,3,21,22	300-4028
C2,8,9,10	300-1900
C4	300-1370
C5	300-2047
C6,11-16	300-1903
C7	300-1820
C17,18,19,20	300-1901
C22,23,24,25	300-1918
C26	300-3009
ATAL 1,04,32,MR	321-0015
D1	300-1052
Q1	375-1050
J1 (16 PIN)	376-9002
L1,11,12,20,21,22,23,24,25,26,27,28,29,30,31,32,33,34,35,36,37,38,39,40,41,42,43,44,45,46,47,48,49,50,51,52,53,54,55,56,57,58,59,60,61,62,63,64,65,66,67,68,69,70,71,72,73,74,75,76,77,78,79,80,81,82,83,84,85,86,87,88,89,90,91,92,93,94,95,96,97,98,99,100	376-9010
L3,15 (CHECK W/10)	376-9011

WANG PART NO.	ITEM	QTY	NAME	MATERIAL	DESCRIPTION
222B					
210					
7024					

REVISIONS

NO.	DATE	DESCRIPTION
1		
2		
3		
4		
5		
6		
7		
8		
9		
10		
11		
12		
13		
14		



THIS DOCUMENT IS THE PROPERTY OF WANG LABORATORIES, INC. AND SHALL NOT BE REPRODUCED OR COPIED IN ANY MANNER FOR THE MANUFACTURE OR SALE OF ANYTHING OR DEVICES WITHOUT PERMISSION.

HOLE LEGEND

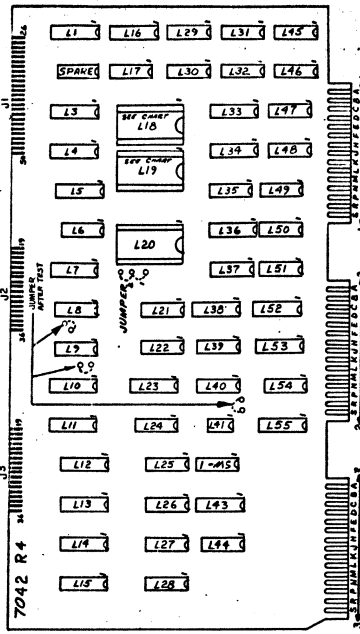
HOLE DIA.	101
1/16" DIA.	102
1/8" DIA.	103
3/16" DIA.	104
1/4" DIA.	105
3/8" DIA.	106
1/2" DIA.	107
5/8" DIA.	108
3/4" DIA.	109
1" DIA.	110
DESCRIPTION	QTY
A	

J3 LOCATION

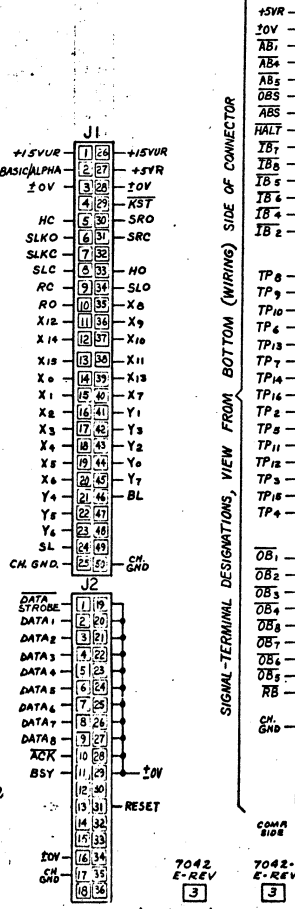
LOC.	LOCATION
1	7406
2	7406
3	7406
4	7406
5	7406
6	7406
7	7406
8	7406
9	7406
10	7406
11	7406
12	7406
13	7406
14	7406
15	7406
16	7406
17	7406
18	7406
19	7406
20	7406
21	7406
22	7406
23	7406
24	7406
25	7406
26	7406
27	7406
28	7406
29	7406
30	7406
31	7406
32	7406
33	7406
34	7406
35	7406
36	7406
37	7406
38	7406
39	7406
40	7406
41	7406
42	7406
43	7406
44	7406
45	7406
46	7406
47	7406
48	7406
49	7406
50	7406
51	7406
52	7406
53	7406
54	7406
55	7406
56	7406
57	7406
58	7406
59	7406
60	7406
61	7406
62	7406
63	7406
64	7406
65	7406
66	7406
67	7406
68	7406
69	7406
70	7406
71	7406
72	7406
73	7406
74	7406
75	7406
76	7406
77	7406
78	7406
79	7406
80	7406
81	7406
82	7406
83	7406
84	7406
85	7406
86	7406
87	7406
88	7406
89	7406
90	7406
91	7406
92	7406
93	7406
94	7406
95	7406
96	7406
97	7406
98	7406
99	7406
100	7406

J3

GKA1	1	2	3	4	5	6	7	8	9	10	11	12	13	14	15	16	17	18	19	20	21	22	23	24	25	26	27	28	29	30	31	32	33	34	35	36	37	38	39	40	41	42	43	44	45	46	47	48	49	50	51	52	53	54	55	56	57	58	59	60	61	62	63	64	65	66	67	68	69	70	71	72	73	74	75	76	77	78	79	80	81	82	83	84	85	86	87	88	89	90	91	92	93	94	95	96	97	98	99	100
------	---	---	---	---	---	---	---	---	---	----	----	----	----	----	----	----	----	----	----	----	----	----	----	----	----	----	----	----	----	----	----	----	----	----	----	----	----	----	----	----	----	----	----	----	----	----	----	----	----	----	----	----	----	----	----	----	----	----	----	----	----	----	----	----	----	----	----	----	----	----	----	----	----	----	----	----	----	----	----	----	----	----	----	----	----	----	----	----	----	----	----	----	----	----	----	----	----	----	----	-----



COMPONENT LAYOUT



LOCATION

LOCATION	W.L. PART NO.	QTY	WANG PART NO.
L17	376-0108	8	330-3022
L18	376-0010	8	330-3022
L19	376-0011	8	330-3022
L20	376-0012	8	330-3022
L21	376-0013	8	330-3022
L22	376-0014	8	330-3022
L23	376-0015	8	330-3022
L24	376-0016	8	330-3022
L25	376-0017	8	330-3022
L26	376-0018	8	330-3022
L27	376-0019	8	330-3022
L28	376-0020	8	330-3022
L29	376-0021	8	330-3022
L30	376-0022	8	330-3022
L31	376-0023	8	330-3022
L32	376-0024	8	330-3022
L33	376-0025	8	330-3022
L34	376-0026	8	330-3022
L35	376-0027	8	330-3022
L36	376-0028	8	330-3022
L37	376-0029	8	330-3022
L38	376-0030	8	330-3022
L39	376-0031	8	330-3022
L40	376-0032	8	330-3022
L41	376-0033	8	330-3022
L42	376-0034	8	330-3022
L43	376-0035	8	330-3022
L44	376-0036	8	330-3022
L45	376-0037	8	330-3022
L46	376-0038	8	330-3022
L47	376-0039	8	330-3022
L48	376-0040	8	330-3022
L49	376-0041	8	330-3022
L50	376-0042	8	330-3022
L51	376-0043	8	330-3022
L52	376-0044	8	330-3022
L53	376-0045	8	330-3022
L54	376-0046	8	330-3022
L55	376-0047	8	330-3022
L56	376-0048	8	330-3022
L57	376-0049	8	330-3022
L58	376-0050	8	330-3022
L59	376-0051	8	330-3022
L60	376-0052	8	330-3022
L61	376-0053	8	330-3022
L62	376-0054	8	330-3022
L63	376-0055	8	330-3022
L64	376-0056	8	330-3022
L65	376-0057	8	330-3022
L66	376-0058	8	330-3022
L67	376-0059	8	330-3022
L68	376-0060	8	330-3022
L69	376-0061	8	330-3022
L70	376-0062	8	330-3022
L71	376-0063	8	330-3022
L72	376-0064	8	330-3022
L73	376-0065	8	330-3022
L74	376-0066	8	330-3022
L75	376-0067	8	330-3022
L76	376-0068	8	330-3022
L77	376-0069	8	330-3022
L78	376-0070	8	330-3022
L79	376-0071	8	330-3022
L80	376-0072	8	330-3022
L81	376-0073	8	330-3022
L82	376-0074	8	330-3022
L83	376-0075	8	330-3022
L84	376-0076	8	330-3022
L85	376-0077	8	330-3022
L86	376-0078	8	330-3022
L87	376-0079	8	330-3022
L88	376-0080	8	330-3022
L89	376-0081	8	330-3022
L90	376-0082	8	330-3022
L91	376-0083	8	330-3022
L92	376-0084	8	330-3022
L93	376-0085	8	330-3022
L94	376-0086	8	330-3022
L95	376-0087	8	330-3022
L96	376-0088	8	330-3022
L97	376-0089	8	330-3022
L98	376-0090	8	330-3022
L99	376-0091	8	330-3022
L100	376-0092	8	330-3022

COMPONENT

COMPONENT	W.L. PART NO.	QTY	WANG PART NO.
R1-R100	376-0108	8	330-3022
C1-C100	376-0109	8	330-3022
U1-U100	376-0110	8	330-3022
J1-J100	376-0111	8	330-3022
TP1-TP100	376-0112	8	330-3022
...

VARIATION CHART

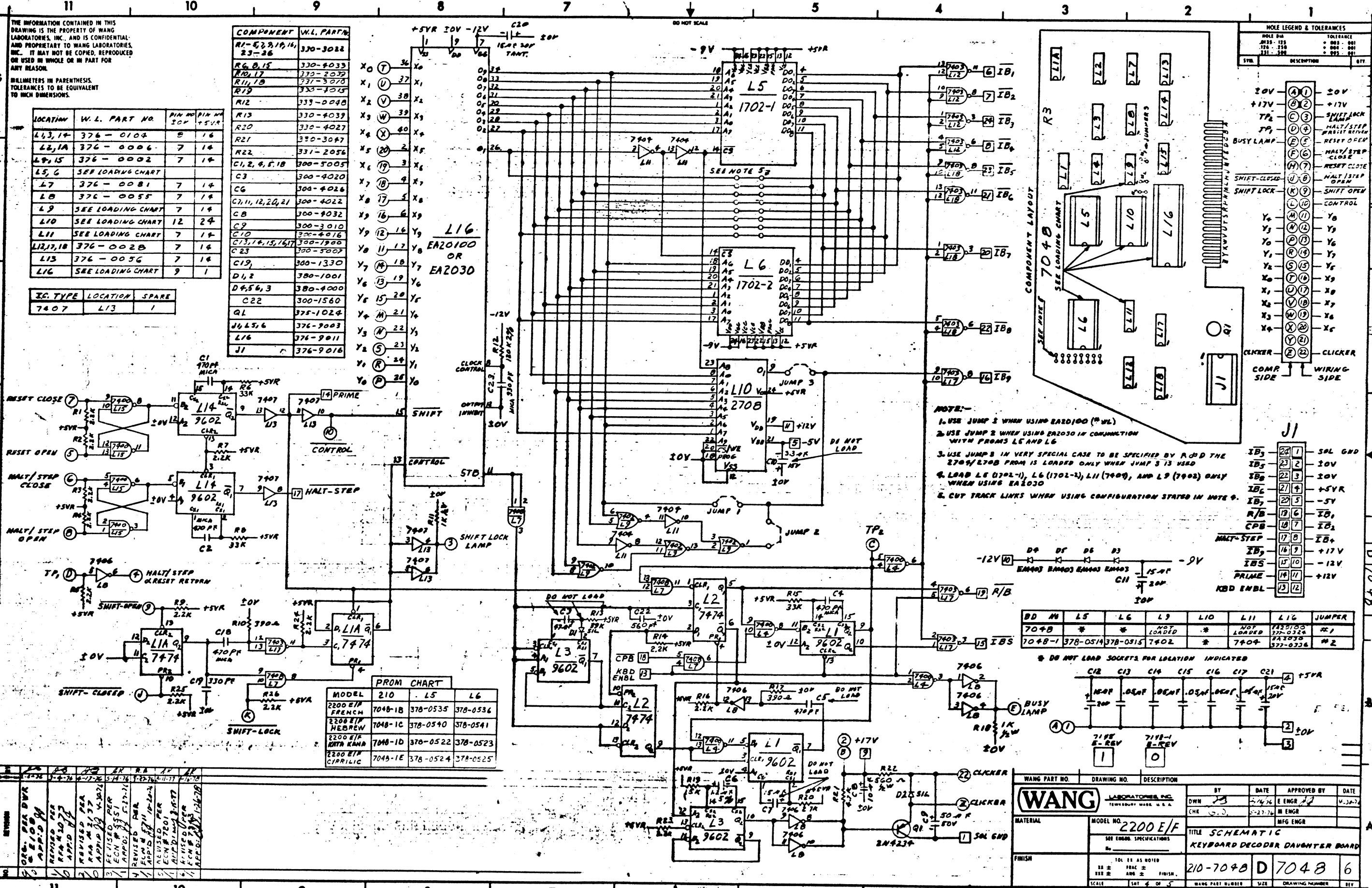
MODEL	210	209	L10	L19	L20
FOR 209-7042, DELETE R47, SOCKETS L16-L18					
FOR 209-7042-1, DELETE R47, SOCKETS L16-L18					
FOR 209-7042-2, DELETE R47, SOCKETS L16-L18					

WANG LABORATORIES, INC.

WANG PART NO.	ITEM	QTY	NAME	MATERIAL	DESCRIPTION
...

REVISIONS

NO.	DATE	DESCRIPTION
1
2
3
4
5
6
7
8
9
10
11
12
13
14



THE INFORMATION CONTAINED IN THIS DRAWING IS THE PROPERTY OF WANG LABORATORIES, INC. AND IS CONFIDENTIAL AND PROPRIETARY TO WANG LABORATORIES, INC. IT MAY NOT BE COPIED, REPRODUCED OR USED IN WHOLE OR IN PART FOR ANY REASON.

MILLIMETERS IN PARENTHESES. TOLERANCES TO BE EQUIVALENT TO INCH DIMENSIONS.

LOCATION	W.L. PART NO.	PIN NO. SOV	PIN NO. +5VR
L1,14	376-0104	8	16
L2,1A	376-0006	7	14
L4,15	376-0002	7	14
L5,6	SEE LOADING CHART		
L7	376-0081	7	14
L8	376-0055	7	14
L9	SEE LOADING CHART	7	14
L10	SEE LOADING CHART	12	24
L11	SEE LOADING CHART	7	14
L12,18	376-0028	7	14
L13	376-0056	7	14
L16	SEE LOADING CHART	9	1

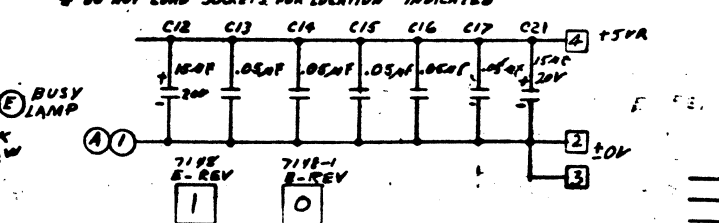
IC TYPE	LOCATION	SPARE
7407	L13	1

COMPONENT	W.L. PART NO.
R1-6,2,8,16,23-26	330-3022
R6,8,15	330-4033
R10,17	330-2039
R11,18	331-3070
R19	330-3015
R12	333-0048
R13	330-4039
R20	330-4027
R21	330-3047
R22	331-2056
C1,2,4,5,18	300-5005
C3	300-4020
C6	300-4026
C7,11,12,20,21	300-4022
C8	300-4032
C9	300-3010
C10	300-4016
C13,14,15,16,17	300-1900
C23	300-5007
C19	300-1330
D1,2	380-1001
D4,5,6,3	380-4000
C22	300-1560
QL	375-1024
J6,4,5,6	376-9003
L16	376-9011
J1	376-9016

MODEL	210	L5	L6
2200 E/F FRENCH	7048-1B	378-0535	378-0536
2200 E/F HEBREW	7048-1C	378-0540	378-0541
2200 E/F KATA KANA	7048-1D	378-0522	378-0523
2200 E/F CYRILLIC	7048-1E	378-0524	378-0525

- NOTE:-
- USE JUMP 1 WHEN USING EA20100 (W.L.)
 - USE JUMP 2 WHEN USING EA2030 IN CONJUNCTION WITH PROMS L5 AND L6
 - USE JUMPS IN VERY SPECIAL CASE TO BE SPECIFIED BY R.O.D THE 2709/2708 PROM IS LOADED ONLY WHEN JUMP 3 IS USED
 - LOAD L5 (7402-1), L6 (1702-2), L11 (7409), AND L9 (7402) ONLY WHEN USING EA2030
 - CUT TRACK LINKS WHEN USING CONFIGURATION STATED IN NOTE 4.

BD NO.	L5	L6	L9	L10	L11	L16	JUMPER
7048	*	*	NOT LOADED	*	NOT LOADED	EA20100	J1
7048-1	378-0514	378-0515	7402	*	7404	EA2030	J2

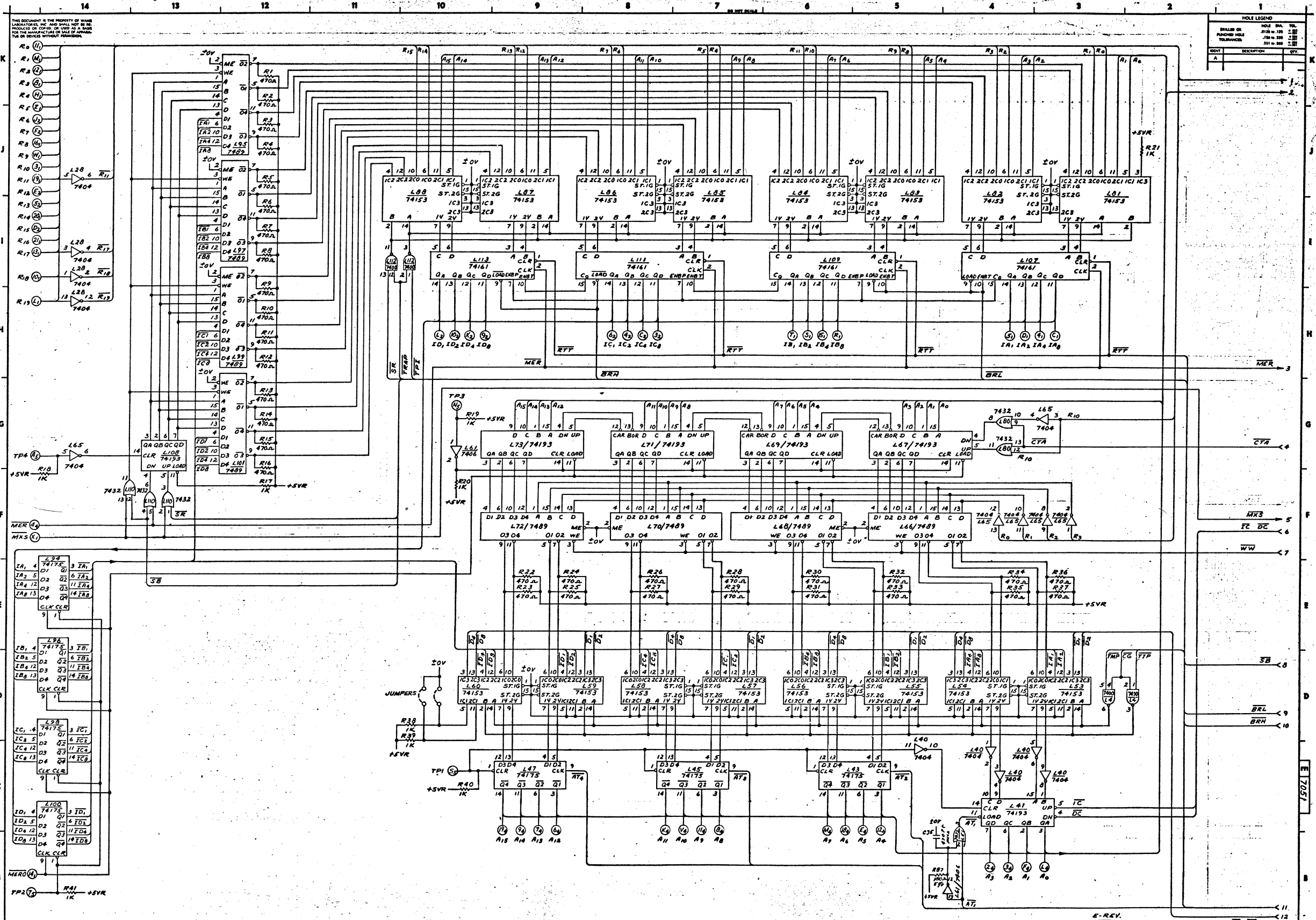


WANG PART NO.	DRAWING NO.	DESCRIPTION
2200 E/F	D 7048	KEYBOARD DECODER DAUGHTER BOARD

BY	DATE	APPROVED BY	DATE
DWN	2-14-76	E ENGR	2-14-76
CHE	5-27-76	M ENGR	

FINISH	TOL. IS AS NOTED	FRAC. ±	ANG. ±	FINISH

SCALE	SHEET # OF #	WANG PART NUMBER	SIZE	DRAWING NUMBER	REV.

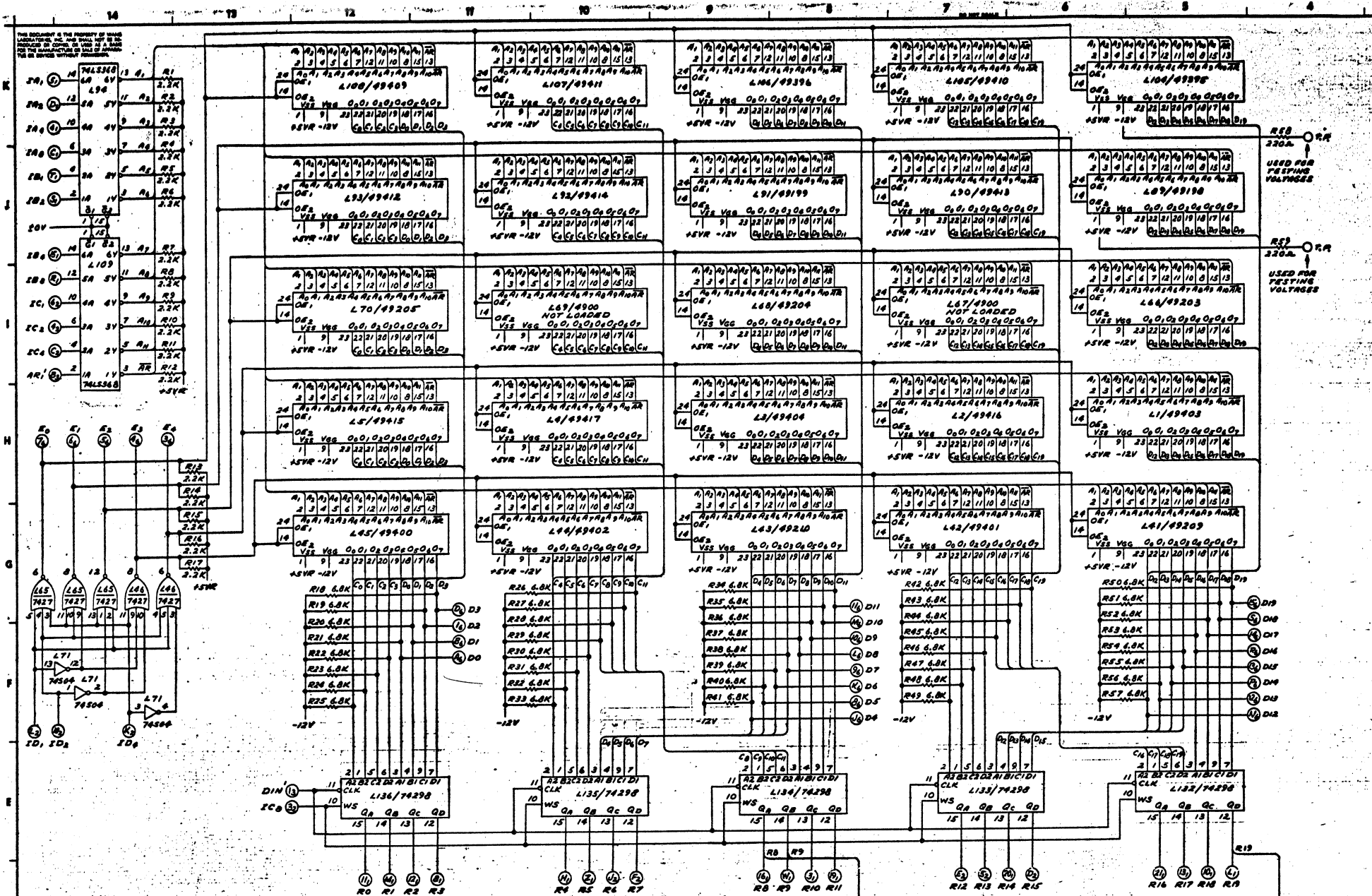


HOLE LEGEND

DRILL OR	SIZE DIA.	TOL.
REAR DRILL	.1250 ±.001	±.001
FRONT DRILL	.1250 ±.001	±.001
PLATE DRILL	.1250 ±.001	±.001
DRILL	.1250 ±.001	±.001

REV.	DESCRIPTION	DATE	BY	CHKD.	APP'D.
1	ISSUED FOR FAB	1/20/67	F.S.S.	F.S.S.	F.S.S.
2	REVISED FOR FAB	1/20/67	F.S.S.	F.S.S.	F.S.S.
3	REVISED FOR FAB	1/20/67	F.S.S.	F.S.S.	F.S.S.
4	REVISED FOR FAB	1/20/67	F.S.S.	F.S.S.	F.S.S.
5	REVISED FOR FAB	1/20/67	F.S.S.	F.S.S.	F.S.S.
6	REVISED FOR FAB	1/20/67	F.S.S.	F.S.S.	F.S.S.
7	REVISED FOR FAB	1/20/67	F.S.S.	F.S.S.	F.S.S.
8	REVISED FOR FAB	1/20/67	F.S.S.	F.S.S.	F.S.S.
9	REVISED FOR FAB	1/20/67	F.S.S.	F.S.S.	F.S.S.
10	REVISED FOR FAB	1/20/67	F.S.S.	F.S.S.	F.S.S.
11	REVISED FOR FAB	1/20/67	F.S.S.	F.S.S.	F.S.S.
12	REVISED FOR FAB	1/20/67	F.S.S.	F.S.S.	F.S.S.
13	REVISED FOR FAB	1/20/67	F.S.S.	F.S.S.	F.S.S.
14	REVISED FOR FAB	1/20/67	F.S.S.	F.S.S.	F.S.S.

WANG PART NO.	ITEM	QTY.	NAME	MATERIAL	DESCRIPTION	DATE
210-7051	1	1	LABORATORIES, INC.	210-7051	C.P.U.	1/20/67
210-7051	2	1	LABORATORIES, INC.	210-7051	C.P.U.	1/20/67
210-7051	3	1	LABORATORIES, INC.	210-7051	C.P.U.	1/20/67
210-7051	4	1	LABORATORIES, INC.	210-7051	C.P.U.	1/20/67
210-7051	5	1	LABORATORIES, INC.	210-7051	C.P.U.	1/20/67
210-7051	6	1	LABORATORIES, INC.	210-7051	C.P.U.	1/20/67
210-7051	7	1	LABORATORIES, INC.	210-7051	C.P.U.	1/20/67
210-7051	8	1	LABORATORIES, INC.	210-7051	C.P.U.	1/20/67
210-7051	9	1	LABORATORIES, INC.	210-7051	C.P.U.	1/20/67
210-7051	10	1	LABORATORIES, INC.	210-7051	C.P.U.	1/20/67
210-7051	11	1	LABORATORIES, INC.	210-7051	C.P.U.	1/20/67
210-7051	12	1	LABORATORIES, INC.	210-7051	C.P.U.	1/20/67
210-7051	13	1	LABORATORIES, INC.	210-7051	C.P.U.	1/20/67
210-7051	14	1	LABORATORIES, INC.	210-7051	C.P.U.	1/20/67



REV	DATE	BY	DESCRIPTION
1			
2			
3			
4			
5			
6			
7			
8			
9			
10			

TO52-1 LOADING	TO52 LOADING	W.L. NO.	TERM FOR	TERMIN FOR
I.C. LOCATION	I.C. LOCATION		SOV	SOV
L18, 55	L55	376-0178	7	16
L22, 40, 40, 9, 103	L40, 9, 10, 103	376-0193	8	16
L46, 65	SAME	376-0125	7	16
L71	SAME	376-0197	7	16
L85, 137	SAME	376-0081	7	16
L96, 102, 102, 112, 119, 122, 116, 118	SAME	376-0082	8	16
L97, 110, 105, 116	SAME	376-0093	7	16
L30, 33, 100	SAME	376-0192	8	16
L201, 103	SAME	376-0094	8	16
L111, 121, 121, 121, 121, 127	SAME	376-0002	7	16
L112, 123	SAME	376-0094	8	16
L117	SAME	376-0007	13	16
L119, 120, 120, 122	SAME	376-0119	8	16
L122, 122, 122, 122	SAME	376-0010	7	16
L123	SAME	376-0003	7	16
L128-127	SAME	376-0098	8	16
L132-136	SAME	376-0138	8	16
L140-143	SAME	376-0097	8	16
L138, 151	SAME	376-0066	7	16

I.C. TYPE	LOCATION	SPARES
7427	L46	1
74304	L71	3
74LS347	L98	2
7400	L111	1
7400	L121	3
9221	L153	1
7404	L144	1
7404	L140	1
7474	L150	1

VARIATION CHART

I.C. LOCATION	210-7052-2A	210-7052-4A	210-7052-6A	210-7052-8A	210-7052-1	+5V	+12V	-5V	+12V	±0V
L72-87	377-0314	377-0314	377-0314	377-0314	377-0314					1 10 18
L47-54, 56-63	377-0314	377-0314	377-0314	377-0314	377-0314					1 10 18
L38-39	377-0314	377-0314	377-0314	377-0314	377-0314					1 10 18
L6-13, 15-22	377-0314	377-0314	377-0314	377-0314	377-0314					1 10 18

209-7052-1 7052 LOADING

COMPONENT	W.L. NO.
R1-17, 89-104	330-3022
R18-27, 44-73	330-3068
R28-37, 78, 104, 107	330-2022
R40-65, 74, 80	330-3010
R75-76	330-2018
R77	330-3018
R85-88, 105, 112-115	330-1011
C1	300-1047
C2, 7-10	300-1270
C3-50, 59-64, 84-90, 109	300-1930
C61-68, 67-74, 81-83, 103-107, 110	300-1931
C77, 78, 84, 91	300-4018
C79, 80, 108, 85	300-4022
C92-103	300-1900
L46, 55 SOCKET	376-9001
L132-136 SOCKET	376-9002
Q1, 2	375-1550
XTAL	321-0008
I.C. SOCKET (18 PIN)	376-9014
I.C. SOCKET (24 PIN)	376-9003

209-7052-1 7052-1 LOADING

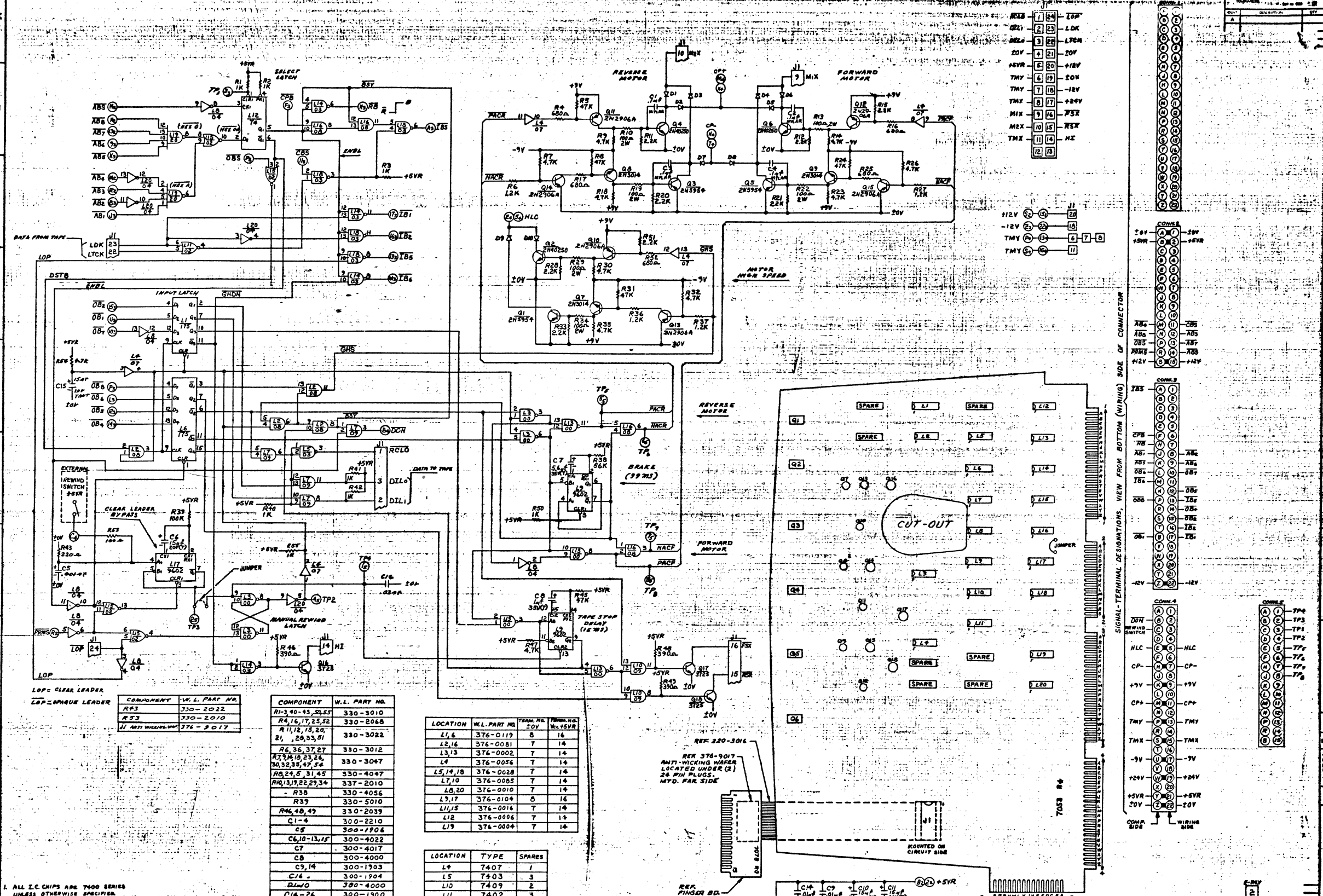
COMPONENT	W.L. NO.
R1-17, 89-104	330-3022
R18-27, 44-73	330-3068
R28-37, 78, 104, 107	330-2022
R40-65, 74, 80, 116	330-3010
R75, 76	330-2018
R77	330-3018
R81-88, 105, 108-115	330-1011
C1	300-1047
C2-10	300-1270
C11-18, 37-34, 43-50, 69-66, 86-90, 109	300-1930
C19-26, 35-42, 51-58, 67-74, 81-83, 103-107, 110	300-1931
C75-78, 84, 91	300-4018
C79, 80, 108, 85	300-4022
C92-102	300-1900
L46, 55 SOCKET	376-9001
L132-136 SOCKET	376-9002
Q1-4	375-1550
XTAL	321-0008
I.C. SOCKET (18 PIN)	376-9014
I.C. SOCKET (24 PIN)	376-9003

I.C. TYPE	LOCATION	SPARES
7427	L46	1
74304	L71	3
74LS347	L98	2
7400	L111	1
7400	L121	3
9221	L153	1
7404	L144	1
7404	L140	1
7474	L150	1

REV	DATE	BY	DESCRIPTION
1			
2			
3			
4			
5			
6			
7			
8			
9			
10			

WANG PART NO.	ITEM	QTY	NAME	MATERIAL	DATE	INTEGRATION
			WANG	LABORATORIES, INC.	DATE	APPROVED BY
				MODEL NO. 2200/F	DATE	APPROVED BY
				SEE VARIATION CHART	DATE	APPROVED BY
				MEMORY	DATE	APPROVED BY
				7052	DATE	APPROVED BY
				7	DATE	APPROVED BY

THIS DOCUMENT IS THE PROPERTY OF WANG LABORATORIES, INC. AND SHALL NOT BE LOANED, REPRODUCED, COPIED, OR DISSEMINATED IN ANY MANNER WITHOUT THE WRITTEN PERMISSION OF WANG LABORATORIES, INC.



LOP - CLEAR LEADER
LAP - ANTI-LEADER

COMPONENT	W.L. PART NO.
R13	330-2032
R53	330-2070
U1	ANTI-WICKING WAFER 376-3017

COMPONENT	W.L. PART NO.
R1-3, 40-45, 50, 55	330-3010
R4, 16, 17, 25, 52	330-2068
R11, 12, 15, 20, 21, 28, 33, 31	330-3022
R6, 36, 37, 27	330-3012
R7, 8, 10, 23, 26, 30, 32, 35, 47, 56	330-3047
R9, 24, 6, 31, 45	330-4047
R10, 13, 22, 29, 34	337-2010
R38	330-4056
R39	330-5010
R46, 48, 49	330-2039
C1-4	300-2210
C5	300-7906
C6, 10-13, 15	300-4022
C7	300-4017
C8	300-4000
C9, 14	300-1903
C14	300-1904
D1=0	300-4000
C14-26	300-1900
Q1, 3, 5	375-1055
Q2, 4, 6	375-1022
Q7, 8, 9	375-0017
Q10-13	375-1017
Q16, 17, 18	375-1027
TRANSIPAD	375-9001
TRANSIPAD	375-9004
U1	376-3003

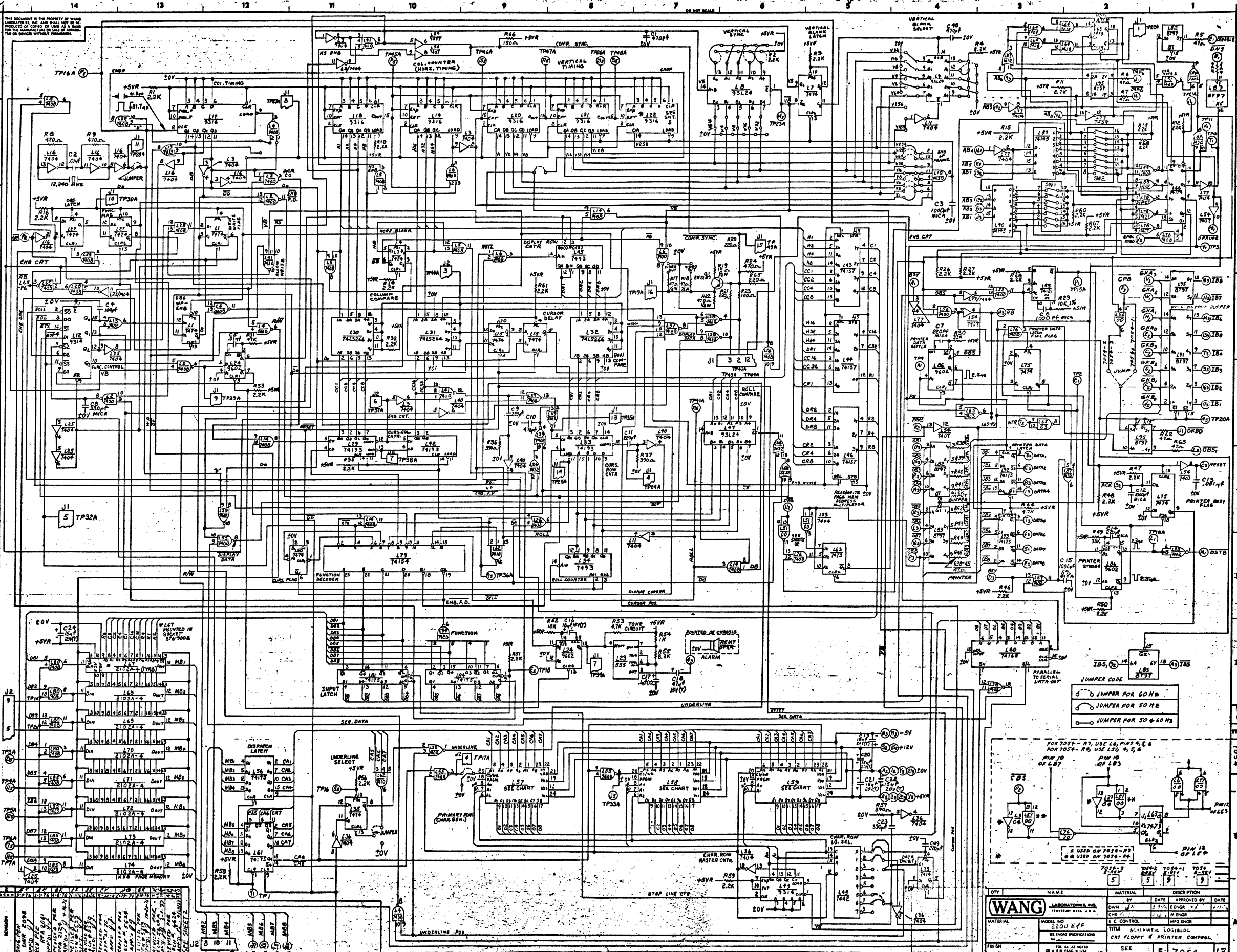
LOCATION	W.L. PART NO.	TRNS. NO.	TRNS. NO. TO V.	TRNS. NO. TO H.
L1, 6	376-0119	8	14	
L2, 16	376-0081	7	14	
L3, 13	376-0002	7	14	
L4	376-0056	7	14	
L5, 14, 18	376-0028	7	14	
L7, 10	376-0085	7	14	
L8, 20	376-0010	7	14	
L9, 17	376-0104	6	16	
L11, 5	376-0016	7	14	
L12	376-0094	7	14	
L19	376-0004	7	14	

LOCATION	TYPE	SPARES
L4	7407	1
L5	7403	3
L10	7409	2
L11	7402	3
L2	7474	1
L17	9602	1
L20	7404	2

1. ALL I.C. CHIPS ARE 7000 SERIES UNLESS OTHERWISE SPECIFIED. NOTE

REVISION	DATE	BY	DESCRIPTION
1	11-17-74	JL	INITIAL DESIGN
2	12-10-74	JL	REVISED PER APP'D. DESIGN
3	1-15-75	JL	REVISED PER APP'D. DESIGN
4	2-10-75	JL	REVISED PER APP'D. DESIGN
5	3-10-75	JL	REVISED PER APP'D. DESIGN
6	4-10-75	JL	REVISED PER APP'D. DESIGN
7	5-10-75	JL	REVISED PER APP'D. DESIGN
8	6-10-75	JL	REVISED PER APP'D. DESIGN
9	7-10-75	JL	REVISED PER APP'D. DESIGN
10	8-10-75	JL	REVISED PER APP'D. DESIGN
11	9-10-75	JL	REVISED PER APP'D. DESIGN
12	10-10-75	JL	REVISED PER APP'D. DESIGN
13	11-10-75	JL	REVISED PER APP'D. DESIGN
14	12-10-75	JL	REVISED PER APP'D. DESIGN

WANG LABORATORIES, INC.	MODEL NO. 2200E/F	TITLE SCHEMATIC LOGIC/CASSETTE CONTROL INTERFACE
DATE 11-17-74	ENGR. JLV	DATE 11-17-74
CHEK 4-11-75	ENGR. JLV	DATE 4-11-75
E.C. CONTROL	ENGR. JLV	DATE 4-11-75
SCALE 1/8" = 1"	210-7053	E 7053
SCALE 1/8" = 1"	210-7053	E 7053



THIS DOCUMENT IS THE PROPERTY OF WANG LABORATORIES, INC. AND SHALL NOT BE REPRODUCED OR COPIED IN ANY MANNER WITHOUT THE WRITTEN PERMISSION OF WANG LABORATORIES, INC.

REV.	DESCRIPTION	DATE
1	ORIGINAL DESIGN	11/15/73
2	REVISED TO ADD JUMPER FOR 50 & 60 HZ	12/10/73
3	REVISED TO ADD JUMPER FOR 50 & 60 HZ	12/10/73
4	REVISED TO ADD JUMPER FOR 50 & 60 HZ	12/10/73
5	REVISED TO ADD JUMPER FOR 50 & 60 HZ	12/10/73
6	REVISED TO ADD JUMPER FOR 50 & 60 HZ	12/10/73
7	REVISED TO ADD JUMPER FOR 50 & 60 HZ	12/10/73
8	REVISED TO ADD JUMPER FOR 50 & 60 HZ	12/10/73
9	REVISED TO ADD JUMPER FOR 50 & 60 HZ	12/10/73
10	REVISED TO ADD JUMPER FOR 50 & 60 HZ	12/10/73
11	REVISED TO ADD JUMPER FOR 50 & 60 HZ	12/10/73
12	REVISED TO ADD JUMPER FOR 50 & 60 HZ	12/10/73
13	REVISED TO ADD JUMPER FOR 50 & 60 HZ	12/10/73
14	REVISED TO ADD JUMPER FOR 50 & 60 HZ	12/10/73

QTY	NAME	MATERIAL	DATE	DESCRIPTION	DATE
1	TP16A	74LS16	11/15/73	INVERTER	11/15/73
1	TP30A	74LS30	11/15/73	DECODER	11/15/73
1	TP32A	74LS32	11/15/73	OR GATE	11/15/73
1	TP33A	74LS33	11/15/73	INVERTER	11/15/73
1	TP34A	74LS34	11/15/73	MONOSTABLE MULTIVIBRATOR	11/15/73
1	TP35A	74LS35	11/15/73	MONOSTABLE MULTIVIBRATOR	11/15/73
1	TP36A	74LS36	11/15/73	MONOSTABLE MULTIVIBRATOR	11/15/73
1	TP37A	74LS37	11/15/73	MONOSTABLE MULTIVIBRATOR	11/15/73
1	TP38A	74LS38	11/15/73	MONOSTABLE MULTIVIBRATOR	11/15/73
1	TP39A	74LS39	11/15/73	DECODER	11/15/73
1	TP40A	74LS40	11/15/73	DECODER	11/15/73
1	TP41A	74LS41	11/15/73	DECODER	11/15/73
1	TP42A	74LS42	11/15/73	DECODER	11/15/73
1	TP43A	74LS43	11/15/73	DECODER	11/15/73
1	TP44A	74LS44	11/15/73	DECODER	11/15/73
1	TP45A	74LS45	11/15/73	DECODER	11/15/73
1	TP46A	74LS46	11/15/73	DECODER	11/15/73
1	TP47A	74LS47	11/15/73	DECODER	11/15/73
1	TP48A	74LS48	11/15/73	DECODER	11/15/73
1	TP49A	74LS49	11/15/73	DECODER	11/15/73
1	TP50A	74LS50	11/15/73	DECODER	11/15/73
1	TP51A	74LS51	11/15/73	DECODER	11/15/73
1	TP52A	74LS52	11/15/73	DECODER	11/15/73
1	TP53A	74LS53	11/15/73	DECODER	11/15/73
1	TP54A	74LS54	11/15/73	DECODER	11/15/73
1	TP55A	74LS55	11/15/73	DECODER	11/15/73
1	TP56A	74LS56	11/15/73	DECODER	11/15/73
1	TP57A	74LS57	11/15/73	DECODER	11/15/73
1	TP58A	74LS58	11/15/73	DECODER	11/15/73
1	TP59A	74LS59	11/15/73	DECODER	11/15/73
1	TP60A	74LS60	11/15/73	DECODER	11/15/73
1	TP61A	74LS61	11/15/73	DECODER	11/15/73
1	TP62A	74LS62	11/15/73	DECODER	11/15/73
1	TP63A	74LS63	11/15/73	DECODER	11/15/73
1	TP64A	74LS64	11/15/73	DECODER	11/15/73
1	TP65A	74LS65	11/15/73	DECODER	11/15/73
1	TP66A	74LS66	11/15/73	DECODER	11/15/73
1	TP67A	74LS67	11/15/73	DECODER	11/15/73
1	TP68A	74LS68	11/15/73	DECODER	11/15/73
1	TP69A	74LS69	11/15/73	DECODER	11/15/73
1	TP70A	74LS70	11/15/73	DECODER	11/15/73
1	TP71A	74LS71	11/15/73	DECODER	11/15/73
1	TP72A	74LS72	11/15/73	DECODER	11/15/73
1	TP73A	74LS73	11/15/73	DECODER	11/15/73
1	TP74A	74LS74	11/15/73	DECODER	11/15/73
1	TP75A	74LS75	11/15/73	DECODER	11/15/73
1	TP76A	74LS76	11/15/73	DECODER	11/15/73
1	TP77A	74LS77	11/15/73	DECODER	11/15/73
1	TP78A	74LS78	11/15/73	DECODER	11/15/73
1	TP79A	74LS79	11/15/73	DECODER	11/15/73
1	TP80A	74LS80	11/15/73	DECODER	11/15/73
1	TP81A	74LS81	11/15/73	DECODER	11/15/73
1	TP82A	74LS82	11/15/73	DECODER	11/15/73
1	TP83A	74LS83	11/15/73	DECODER	11/15/73
1	TP84A	74LS84	11/15/73	DECODER	11/15/73
1	TP85A	74LS85	11/15/73	DECODER	11/15/73
1	TP86A	74LS86	11/15/73	DECODER	11/15/73
1	TP87A	74LS87	11/15/73	DECODER	11/15/73
1	TP88A	74LS88	11/15/73	DECODER	11/15/73
1	TP89A	74LS89	11/15/73	DECODER	11/15/73
1	TP90A	74LS90	11/15/73	DECODER	11/15/73
1	TP91A	74LS91	11/15/73	DECODER	11/15/73
1	TP92A	74LS92	11/15/73	DECODER	11/15/73
1	TP93A	74LS93	11/15/73	DECODER	11/15/73
1	TP94A	74LS94	11/15/73	DECODER	11/15/73
1	TP95A	74LS95	11/15/73	DECODER	11/15/73
1	TP96A	74LS96	11/15/73	DECODER	11/15/73
1	TP97A	74LS97	11/15/73	DECODER	11/15/73
1	TP98A	74LS98	11/15/73	DECODER	11/15/73
1	TP99A	74LS99	11/15/73	DECODER	11/15/73
1	TP100A	74LS100	11/15/73	DECODER	11/15/73

THIS DOCUMENT IS THE PROPERTY OF WANG LABORATORIES, INC. AND SHALL NOT BE REPRODUCED OR COPIED IN WHOLE OR IN PART FOR THE MANUFACTURE OR SALE OF ANYTHING OR FOR THE REPAIR OF ANYTHING WITHOUT PERMISSION.

HOLE LEGEND	
DRILLER OR	HOLE DIA.
RANCHO HOLE	#18 = .188
YELAND HOLE	#20 = .250
	#22 = .312
DATE	DESCRIPTION
A	

SPARES			
I.C. TYPE	LOCATION	SPARES	
7404	L3	1	
7404	L25	1	
7400	L6	1	
7404	L11	4	
7432	L13	2	
7404	L36	2	
7420	L37	1	
7400	L52	2	
7400	L51	1	
7403	L65	1	
7400	L85	1	
7432	L87	1	
7404	L40	3	
7474	L50	1	
7410	L62	1	
7420	L94	1	

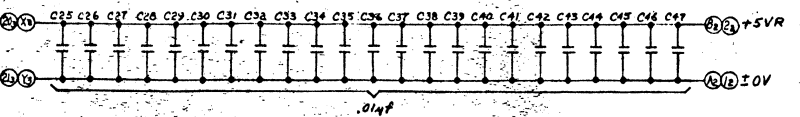
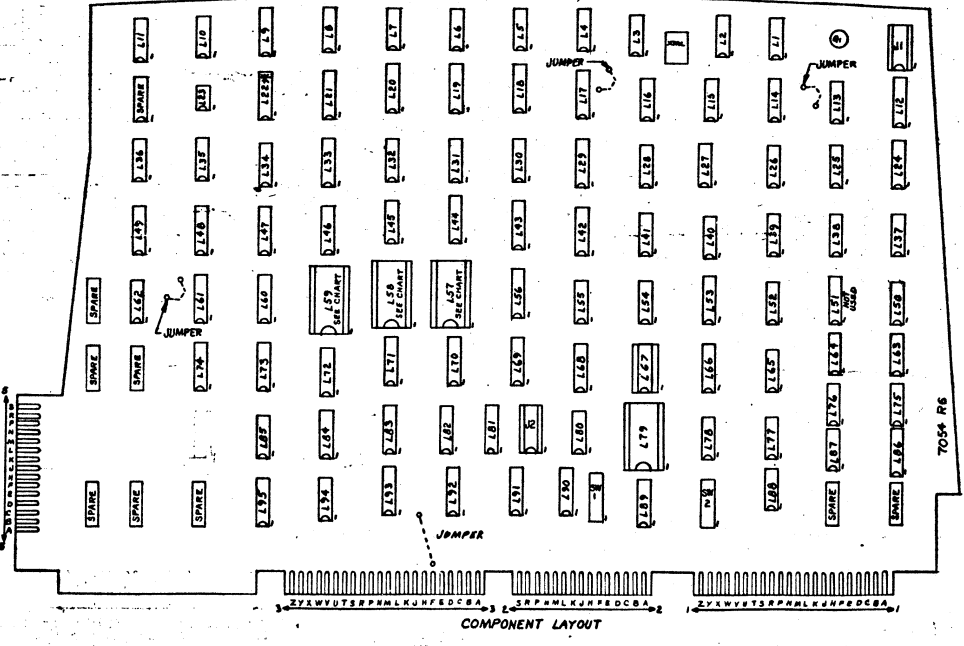
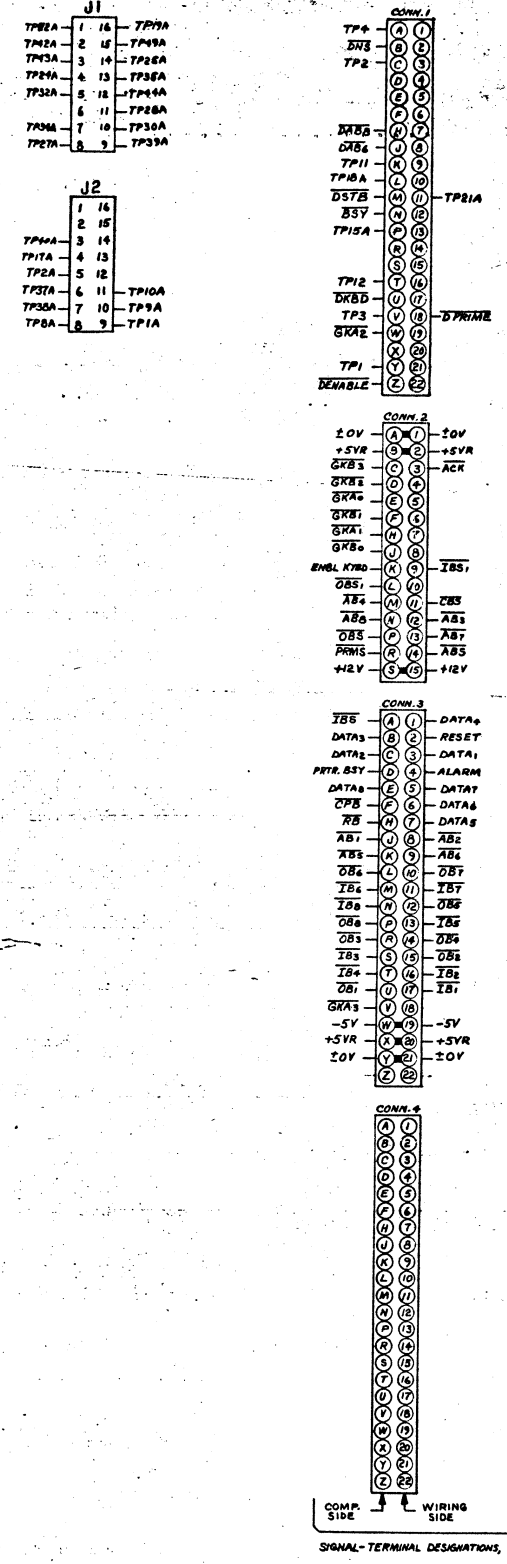
JUMPER VARIATION CHART				
	7054-1	7054-2	7054-3	7054-4
L10-2	V12B	V25G	V12B	V25G
L10-12	V64	L10-2	V64	L10-2
L10-4	V8	L10-11	V8	L10-11
L10-5	V4	L10-9	V4	L10-9
L10-6	V2	V1	V2	V1
L9-3	V32	V32	V32	V32
L9-4	V16	V16	V16	V16
L9-9	HIGH	HIGH	HIGH	HIGH
L9-12	IOV	HIGH	IOV	HIGH
L8-9	HIGH	IOV	HIGH	IOV
L8-10	IOV	HIGH	IOV	HIGH
L8-13	HIGH	IOV	HIGH	IOV
L49-9	L48-6	L48-7	L48-8	L48-7
R5, 6	LOAD	LOAD	LOAD	LOAD
R36-95	47JL	47JL	47JL	47JL
R62, 63	RESISTORS	RESISTORS	RESISTORS	RESISTORS

LOADING CHART				
MODEL	PC BOARD	L57	L58	L59
210-7054-1B	209-7054			
210-7054-1A	209-7054	378-2044	NOT LOADED	NOT LOADED
210-7054-1C	209-7054			
210-7054-1D	209-7054	378-2024	NOT LOADED	NOT LOADED
210-7054-1E	209-7054			
210-7054-1F	209-7054	377-0323	NOT LOADED	NOT LOADED
210-7054-1G	209-7054			
210-7054-1H	209-7054	377-0323	NOT LOADED	NOT LOADED
210-7054-1I	209-7054			
210-7054-1J	209-7054			
210-7054-1K	209-7054			
210-7054-1L	209-7054			
210-7054-1M	209-7054			
210-7054-1N	209-7054			
210-7054-1O	209-7054			
210-7054-1P	209-7054			
210-7054-1Q	209-7054			
210-7054-1R	209-7054			
210-7054-1S	209-7054			
210-7054-1T	209-7054			
210-7054-1U	209-7054			
210-7054-1V	209-7054			
210-7054-1W	209-7054			
210-7054-1X	209-7054			
210-7054-1Y	209-7054			
210-7054-1Z	209-7054			

COMPONENT	W.L. PART NO.
R54	330-3010
R8,9,24	330-2047
R1,4,10,14,24,28,32,35,36,47,49,50,51,58,59,61,66,67,56	330-3022
R5,24,30,45,62,43	330-1047
R2,9	333-0017
R17,18	331-1047
R22,1	331-2047
R20,21,45	330-2022
R23	330-2010
R34,37,57	330-2039
R53,64	330-3047
R19	331-1015
R52	330-4018
R30,49	330-4033
R55	330-3082
R31	330-4047
R66	330-2015
C1,10,98	300-1470
C2,5,25,47	300-1903
C4	300-1100
C9,11,49	300-1220
C3,6,12,15	300-5006
C13	300-1906
C7,14	300-5004
C16	300-4018
C17	300-4002
C18	300-4020
C19,22,24	300-4022
C8	300-5007
C23	300-1390
SW.1,2	325-1503
SW. CAP.1,2	325-9047
XTAL	321-0019
J1,2	376-9002T
Q1	375-1021
L57-59	376-9003
B.N.C. CONN.	350-2064

LOCATION	W.L. PART NO.	ITEM NO.	QTY.
L1,7,15,21,25,56,75	376-0006	7	14
L8,9,81,52,55	376-0002	7	14
L3,11,16,23,34,40,71	376-0010	7	14
L5,23,67,76,82,85	376-0081	7	14
L6,47	376-0120	8	16
L10	376-0031	7	14
L12	376-0108	8	16
L13,26,87	376-0093	7	14
L17-21,49	376-0094	8	16
L23	376-0126	1	8
L24,86	376-0104	8	16
L29,33,42	376-0053	8	16
L30,31,32	376-0148	7	14
L34,45	376-0011	10	5
L38,39,80	376-0016	7	14
L37,94	376-0004	7	14
L43,44,46	376-0082	8	16
L48	376-0008	8	16
L67	376-9002	7	14
L83	376-0051	7	14
L84	376-0056	7	14
L56,61,81,89,92,93	376-0119	8	16
L57,58,59	SEE CHART (SH.4)	12	24
L60	376-0105	8	16
L41,62	376-0003	7	14
L63	376-0005	11	4
L65	376-0028	7	14
L66	376-0098	8	16
L67-74	377-0069	9	10
L79	376-0090	12	24
L82,83,91,95	376-0189	8	16
L78	376-0125	7	14
L89,90	376-0069	8	16
L22(SEE NOTE 1)	376-0094	8	16

NOTE 1: L22 LOADED ON 7054-J ONLY



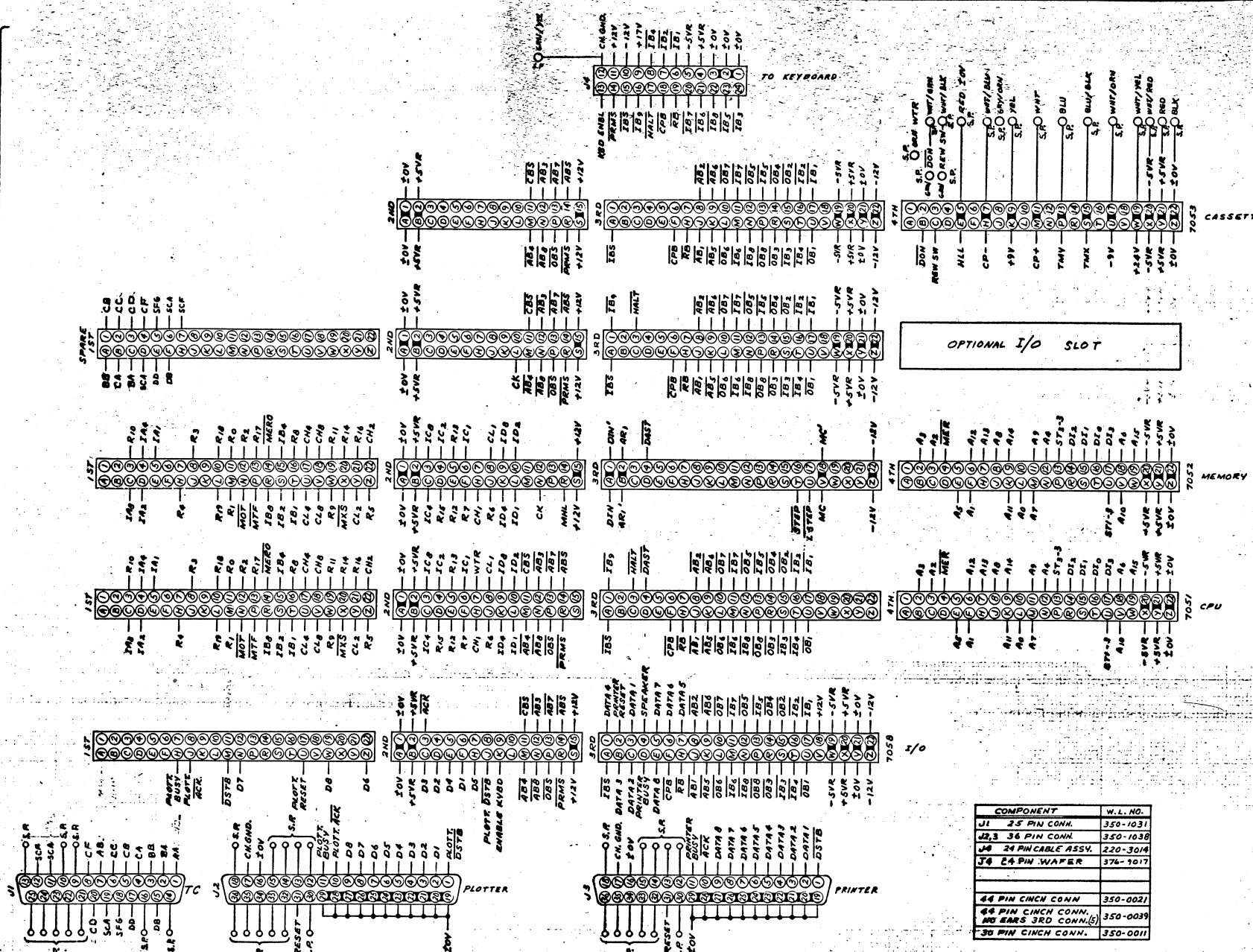
WANG PART NO.	ITEM	QTY.	NAME	MATERIAL	DESCRIPTION	DATE
210-7054-1	PC BOARD	1	PC BOARD	FR-4	PC BOARD	1/78
210-7054-2	COMPONENTS	1	COMPONENTS	VARIOUS	COMPONENTS	1/78
210-7054-3	WIRING	1	WIRING	VARIOUS	WIRING	1/78
210-7054-4	TESTING	1	TESTING	VARIOUS	TESTING	1/78
210-7054-5	PACKAGING	1	PACKAGING	VARIOUS	PACKAGING	1/78
210-7054-6	INSPECTION	1	INSPECTION	VARIOUS	INSPECTION	1/78
210-7054-7	SHIPPING	1	SHIPPING	VARIOUS	SHIPPING	1/78
210-7054-8	REWORK	1	REWORK	VARIOUS	REWORK	1/78
210-7054-9	DISPOSAL	1	DISPOSAL	VARIOUS	DISPOSAL	1/78
210-7054-10	ARCHIVE	1	ARCHIVE	VARIOUS	ARCHIVE	1/78
210-7054-11	REVISION	1	REVISION	VARIOUS	REVISION	1/78
210-7054-12	REVISION	1	REVISION	VARIOUS	REVISION	1/78
210-7054-13	REVISION	1	REVISION	VARIOUS	REVISION	1/78
210-7054-14	REVISION	1	REVISION	VARIOUS	REVISION	1/78
210-7054-15	REVISION	1	REVISION	VARIOUS	REVISION	1/78
210-7054-16	REVISION	1	REVISION	VARIOUS	REVISION	1/78
210-7054-17	REVISION	1	REVISION	VARIOUS	REVISION	1/78
210-7054-18	REVISION	1	REVISION	VARIOUS	REVISION	1/78
210-7054-19	REVISION	1	REVISION	VARIOUS	REVISION	1/78
210-7054-20	REVISION	1	REVISION	VARIOUS	REVISION	1/78

REV.	BY	DATE	DESCRIPTION
1	WANG	1/78	INITIAL DESIGN
2	WANG	1/78	REVISED FOR MANUFACTURE
3	WANG	1/78	REVISED FOR TESTING
4	WANG	1/78	REVISED FOR SHIPPING
5	WANG	1/78	REVISED FOR ARCHIVE
6	WANG	1/78	REVISED FOR REVISION
7	WANG	1/78	REVISED FOR REVISION
8	WANG	1/78	REVISED FOR REVISION
9	WANG	1/78	REVISED FOR REVISION
10	WANG	1/78	REVISED FOR REVISION
11	WANG	1/78	REVISED FOR REVISION
12	WANG	1/78	REVISED FOR REVISION
13	WANG	1/78	REVISED FOR REVISION
14	WANG	1/78	REVISED FOR REVISION

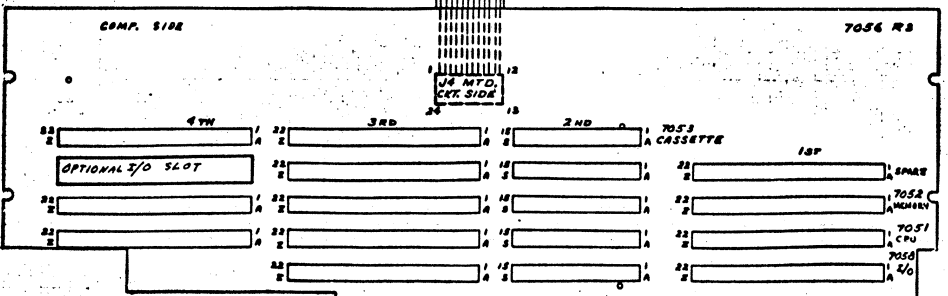
THIS DOCUMENT IS THE PROPERTY OF WANG LABORATORIES, INC. AND SHALL NOT BE REPRODUCED OR COPIED OR USED AS A BASIS FOR THE MANUFACTURE OR SALE OF EQUIPMENT OR SERVICES WITHOUT PERMISSION.

HOLE LEGEND		
DRILLER OR MILLER	HOLE DIA.	TO
DRILLER	.015	1.00
DRILLER	.030	1.00
DRILLER	.0625	1.00
DRILLER	.125	1.00
DRILLER	.1875	1.00
DRILLER	.250	1.00
DRILLER	.3125	1.00
DRILLER	.375	1.00
DRILLER	.4375	1.00
DRILLER	.500	1.00
DRILLER	.5625	1.00
DRILLER	.625	1.00
DRILLER	.6875	1.00
DRILLER	.750	1.00
DRILLER	.8125	1.00
DRILLER	.875	1.00
DRILLER	.9375	1.00
DRILLER	1.000	1.00
DRILLER	1.0625	1.00
DRILLER	1.125	1.00
DRILLER	1.1875	1.00
DRILLER	1.250	1.00
DRILLER	1.3125	1.00
DRILLER	1.375	1.00
DRILLER	1.4375	1.00
DRILLER	1.500	1.00
DRILLER	1.5625	1.00
DRILLER	1.625	1.00
DRILLER	1.6875	1.00
DRILLER	1.750	1.00
DRILLER	1.8125	1.00
DRILLER	1.875	1.00
DRILLER	1.9375	1.00
DRILLER	2.000	1.00
DRILLER	2.0625	1.00
DRILLER	2.125	1.00
DRILLER	2.1875	1.00
DRILLER	2.250	1.00
DRILLER	2.3125	1.00
DRILLER	2.375	1.00
DRILLER	2.4375	1.00
DRILLER	2.500	1.00
DRILLER	2.5625	1.00
DRILLER	2.625	1.00
DRILLER	2.6875	1.00
DRILLER	2.750	1.00
DRILLER	2.8125	1.00
DRILLER	2.875	1.00
DRILLER	2.9375	1.00
DRILLER	3.000	1.00
DRILLER	3.0625	1.00
DRILLER	3.125	1.00
DRILLER	3.1875	1.00
DRILLER	3.250	1.00
DRILLER	3.3125	1.00
DRILLER	3.375	1.00
DRILLER	3.4375	1.00
DRILLER	3.500	1.00
DRILLER	3.5625	1.00
DRILLER	3.625	1.00
DRILLER	3.6875	1.00
DRILLER	3.750	1.00
DRILLER	3.8125	1.00
DRILLER	3.875	1.00
DRILLER	3.9375	1.00
DRILLER	4.000	1.00
DRILLER	4.0625	1.00
DRILLER	4.125	1.00
DRILLER	4.1875	1.00
DRILLER	4.250	1.00
DRILLER	4.3125	1.00
DRILLER	4.375	1.00
DRILLER	4.4375	1.00
DRILLER	4.500	1.00
DRILLER	4.5625	1.00
DRILLER	4.625	1.00
DRILLER	4.6875	1.00
DRILLER	4.750	1.00
DRILLER	4.8125	1.00
DRILLER	4.875	1.00
DRILLER	4.9375	1.00
DRILLER	5.000	1.00
DRILLER	5.0625	1.00
DRILLER	5.125	1.00
DRILLER	5.1875	1.00
DRILLER	5.250	1.00
DRILLER	5.3125	1.00
DRILLER	5.375	1.00
DRILLER	5.4375	1.00
DRILLER	5.500	1.00
DRILLER	5.5625	1.00
DRILLER	5.625	1.00
DRILLER	5.6875	1.00
DRILLER	5.750	1.00
DRILLER	5.8125	1.00
DRILLER	5.875	1.00
DRILLER	5.9375	1.00
DRILLER	6.000	1.00
DRILLER	6.0625	1.00
DRILLER	6.125	1.00
DRILLER	6.1875	1.00
DRILLER	6.250	1.00
DRILLER	6.3125	1.00
DRILLER	6.375	1.00
DRILLER	6.4375	1.00
DRILLER	6.500	1.00
DRILLER	6.5625	1.00
DRILLER	6.625	1.00
DRILLER	6.6875	1.00
DRILLER	6.750	1.00
DRILLER	6.8125	1.00
DRILLER	6.875	1.00
DRILLER	6.9375	1.00
DRILLER	7.000	1.00
DRILLER	7.0625	1.00
DRILLER	7.125	1.00
DRILLER	7.1875	1.00
DRILLER	7.250	1.00
DRILLER	7.3125	1.00
DRILLER	7.375	1.00
DRILLER	7.4375	1.00
DRILLER	7.500	1.00
DRILLER	7.5625	1.00
DRILLER	7.625	1.00
DRILLER	7.6875	1.00
DRILLER	7.750	1.00
DRILLER	7.8125	1.00
DRILLER	7.875	1.00
DRILLER	7.9375	1.00
DRILLER	8.000	1.00
DRILLER	8.0625	1.00
DRILLER	8.125	1.00
DRILLER	8.1875	1.00
DRILLER	8.250	1.00
DRILLER	8.3125	1.00
DRILLER	8.375	1.00
DRILLER	8.4375	1.00
DRILLER	8.500	1.00
DRILLER	8.5625	1.00
DRILLER	8.625	1.00
DRILLER	8.6875	1.00
DRILLER	8.750	1.00
DRILLER	8.8125	1.00
DRILLER	8.875	1.00
DRILLER	8.9375	1.00
DRILLER	9.000	1.00
DRILLER	9.0625	1.00
DRILLER	9.125	1.00
DRILLER	9.1875	1.00
DRILLER	9.250	1.00
DRILLER	9.3125	1.00
DRILLER	9.375	1.00
DRILLER	9.4375	1.00
DRILLER	9.500	1.00
DRILLER	9.5625	1.00
DRILLER	9.625	1.00
DRILLER	9.6875	1.00
DRILLER	9.750	1.00
DRILLER	9.8125	1.00
DRILLER	9.875	1.00
DRILLER	9.9375	1.00
DRILLER	10.000	1.00

SIGNAL - TERMINAL DESIGNATIONS VIEW FROM BOTTOM (WIRING) SIDE OF CONNECTOR



COMPONENT	W.L. NO.
J1 25 PIN CONN.	350-1031
J2,3 36 PIN CONN.	350-1038
J4 24 PIN CABLE ASSY.	220-3014
J5 24 PIN WAFER	374-1017
44 PIN CINCH CONN.	350-0021
48 PIN CINCH CONN.	350-0039
36 PIN CINCH CONN.	350-0011



REV.	DESCRIPTION	DATE
1	ORIGINAL DESIGN	1/1/76
2	REVISED PER WANG SPECIFICATIONS	1/15/76
3	REVISED PER WANG SPECIFICATIONS	1/22/76
4	REVISED PER WANG SPECIFICATIONS	1/29/76
5	REVISED PER WANG SPECIFICATIONS	2/5/76
6	REVISED PER WANG SPECIFICATIONS	2/12/76
7	REVISED PER WANG SPECIFICATIONS	2/19/76
8	REVISED PER WANG SPECIFICATIONS	2/26/76
9	REVISED PER WANG SPECIFICATIONS	3/5/76
10	REVISED PER WANG SPECIFICATIONS	3/12/76
11	REVISED PER WANG SPECIFICATIONS	3/19/76
12	REVISED PER WANG SPECIFICATIONS	3/26/76
13	REVISED PER WANG SPECIFICATIONS	4/2/76
14	REVISED PER WANG SPECIFICATIONS	4/9/76

WANG PART NO.	ITEM	QTY	NAME	MATERIAL	DESCRIPTION
2200E			MOTHERBOARD		
210-7056			MOTHERBOARD		

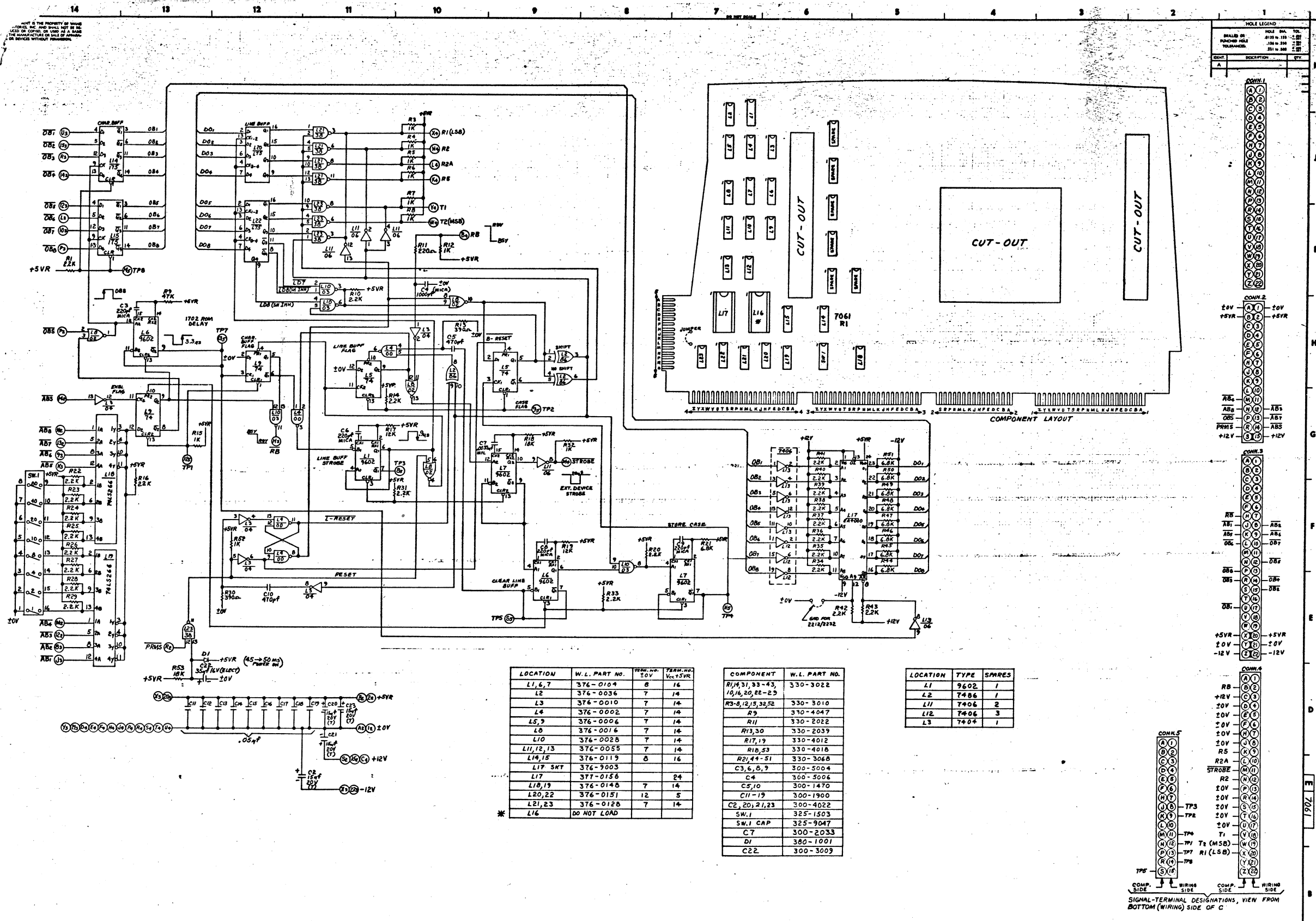
THIS DOCUMENT IS THE PROPERTY OF WANG LABORATORIES, INC. AND SHALL NOT BE REPRODUCED OR TRANSMITTED IN ANY FORM OR BY ANY MEANS, ELECTRONIC OR MECHANICAL, INCLUDING PHOTOCOPYING, RECORDING, OR BY ANY INFORMATION STORAGE AND RETRIEVAL SYSTEM, WITHOUT THE WRITTEN PERMISSION OF WANG LABORATORIES, INC.

REV.	DESCRIPTION	QTY.
A		

LOCATION	W.L. PT. NO.	VCC.	QTY.
L1,108	376-0109	76	8
L2	376-0126	8	7
L3, 33, 63, 69, 70, 100	376-0002	14	7
L4	376-0184	14	7
L5	376-0199	14	7
L6, 7, 34, 72, 73, 80, 101, 102	376-0081	14	7
L8-AF, 25-32	377-0069	10	9
L9, 75, 82, 79, 72, 74, 83, 107	376-0006	14	7
L10	376-0090	24	12
L11, 25	376-0004	14	7
L12, 21, 44, 45, 100, 111	376-0119	16	8
L13, 76	376-0003	14	7
L14, 76, 80, 81, 82, 83	376-0010	14	7
L15	376-0202	14	7
L16	376-0190	14	8
L17, 39, 42	376-0148	14	7
L18	376-0008	14	8
L19, 97, 98, 99	376-0094	14	8
L20	376-0105	14	8
L21	377-0223	24	12
L22, 49, 82	376-0053	14	8
L23, 98, 113	376-0120	14	8
L24, 70, 105	376-0016	14	7
L25, 82, 105A	376-0093	14	7
L26, 67, 73, 74	376-0011	5	10
L27, 50, 77, 64	376-0082	14	8
L28, 61, 82	376-0191	14	8
L29	376-0162	14	8
L30, 44	376-0055	14	7
L31, 88	376-0078	14	7
L32	376-0197	14	7
L33	376-0005	4	11
L34, 102	376-0069	14	8
L35	376-0125	14	7
L36	376-0051	14	7
L37, 94, 95, 109	376-0189	14	8
L38	376-0098	14	8
L39	376-0056	14	7
L40	376-0031	14	7

LOCATION	QTY.	QTY.
L1	7400	1
L2	7400	1
L3	7405	1
L4	7405	1
L5	7405	1
L6	7405	1
L7	7405	3
L8	7405	1
L9	7405	1
L10	7405	1
L11	7405	2
L12	7405	2
L13	7405	2
L14	7405	2
L15	7405	2
L16	7405	2
L17	7405	2
L18	7405	2
L19	7405	2
L20	7405	2
L21	7405	2
L22	7405	2
L23	7405	2
L24	7405	2
L25	7405	2
L26	7405	2
L27	7405	2
L28	7405	2
L29	7405	2
L30	7405	2
L31	7405	2
L32	7405	2
L33	7405	2
L34	7405	2
L35	7405	2
L36	7405	2
L37	7405	2
L38	7405	2
L39	7405	2
L40	7405	2
L41	7405	2
L42	7405	2
L43	7405	2
L44	7405	2
L45	7405	2
L46	7405	2
L47	7405	2
L48	7405	2
L49	7405	2
L50	7405	2
L51	7405	2
L52	7405	2
L53	7405	2
L54	7405	2
L55	7405	2
L56	7405	2
L57	7405	2
L58	7405	2
L59	7405	2
L60	7405	2
L61	7405	2
L62	7405	2
L63	7405	2
L64	7405	2
L65	7405	2
L66	7405	2
L67	7405	2
L68	7405	2
L69	7405	2
L70	7405	2
L71	7405	2
L72	7405	2
L73	7405	2
L74	7405	2
L75	7405	2
L76	7405	2
L77	7405	2
L78	7405	2
L79	7405	2
L80	7405	2
L81	7405	2
L82	7405	2
L83	7405	2
L84	7405	2
L85	7405	2
L86	7405	2
L87	7405	2
L88	7405	2
L89	7405	2
L90	7405	2
L91	7405	2
L92	7405	2
L93	7405	2
L94	7405	2
L95	7405	2
L96	7405	2
L97	7405	2
L98	7405	2
L99	7405	2
L100	7405	2
L101	7405	2
L102	7405	2
L103	7405	2
L104	7405	2
L105	7405	2
L106	7405	2
L107	7405	2
L108	7405	2
L109	7405	2
L110	7405	2
L111	7405	2
L112	7405	2

COMPONENT	W.L. PR. NO.
21, 3, 4, 5, 6, 7, 8, 9, 10, 11, 12, 13, 14, 15, 16, 17, 18, 19, 20, 21, 22, 23, 24, 25, 26, 27, 28, 29, 30	330-3022
31, 32, 33, 34, 35, 36, 37, 38, 39, 40, 41, 42, 43, 44, 45, 46, 47, 48, 49, 50, 51, 52, 53, 54, 55, 56, 57, 58, 59, 60, 61, 62, 63, 64, 65, 66, 67, 68, 69, 70, 71, 72, 73, 74, 75, 76, 77, 78, 79, 80, 81, 82, 83, 84, 85, 86, 87, 88, 89, 90, 91, 92, 93, 94, 95, 96, 97, 98, 99, 100	330-3029
101, 102, 103, 104, 105, 106, 107, 108, 109, 110, 111, 112, 113, 114, 115, 116, 117, 118, 119, 120, 121, 122, 123, 124, 125, 126, 127, 128, 129, 130, 131, 132, 133, 134, 135, 136, 137, 138, 139, 140, 141, 142, 143, 144, 145, 146, 147, 148, 149, 150, 151, 152, 153, 154, 155, 156, 157, 158, 159, 160, 161, 162, 163, 164, 165, 166, 167, 168, 169, 170, 171, 172, 173, 174, 175, 176, 177, 178, 179, 180, 181, 182, 183, 184, 185, 186, 187, 188, 189, 190, 191, 192, 193, 194, 195, 196, 197, 198, 199, 200	330-3047
201, 202, 203, 204, 205, 206, 207, 208, 209, 210, 211, 212, 213, 214, 215, 216, 217, 218, 219, 220, 221, 222, 223, 224, 225, 226, 227, 228, 229, 230, 231, 232, 233, 234, 235, 236, 237, 238, 239, 240, 241, 242, 243, 244, 245, 246, 247, 248, 249, 250, 251, 252, 253, 254, 255, 256, 257, 258, 259, 260, 261, 262, 263, 264, 265, 266, 267, 268, 269, 270, 271, 272, 273, 274, 275, 276, 277, 278, 279, 280, 281, 282, 283, 284, 285, 286, 287, 288, 289, 290, 291, 292, 293, 294, 295, 296, 297, 298, 299, 300	330-3018
301, 302, 303, 304, 305, 306, 307, 308, 309, 310, 311, 312, 313, 314, 315, 316, 317, 318, 319, 320, 321, 322, 323, 324, 325, 326, 327, 328, 329, 330, 331, 332, 333, 334, 335, 336, 337, 338, 339, 340, 341, 342, 343, 344, 345, 346, 347, 348, 349, 350, 351, 352, 353, 354, 355, 356, 357, 358, 359, 360, 361, 362, 363, 364, 365, 366, 367, 368, 369, 370, 371, 372, 373, 374, 375, 376, 377, 378, 379, 380, 381, 382, 383, 384, 385, 386, 387, 388, 389, 390, 391, 392, 393, 394, 395, 396, 397, 398, 399, 400	330-3022
401, 402, 403, 404, 405, 406, 407, 408, 409, 410, 411, 412, 413, 414, 415, 416, 417, 418, 419, 420, 421, 422, 423, 424, 425, 426, 427, 428, 429, 430, 431, 432, 433, 434, 435, 436, 437, 438, 439, 440, 441, 442, 443, 444, 445, 446, 447, 448, 449, 450, 451, 452, 453, 454, 455, 456, 457, 458, 459, 460, 461, 462, 463, 464, 465, 466, 467, 468, 469, 470, 471, 472, 473, 474, 475, 476, 477, 478, 479, 480, 481, 482, 483, 484, 485, 486, 487, 488, 489, 490, 491, 492, 493, 494, 495, 496, 497, 498, 499, 500	330-3027
501, 502, 503, 504, 505, 506, 507, 508, 509, 510, 511, 512, 513, 514, 515, 516, 517, 518, 519, 520, 521, 522, 523, 524, 525, 526, 527, 528, 529, 530, 531, 532, 533, 534, 535, 536, 537, 538, 539, 540, 541, 542, 543, 544, 545, 546, 547, 548, 549, 550, 551, 552, 553, 554, 555, 556, 557, 558, 559, 560, 561, 562, 563, 564, 565, 566, 567, 568, 569, 570, 571, 572, 573, 574, 575, 576, 577, 578, 579, 580, 581, 582, 583, 584, 585, 586, 587, 588, 589, 590, 591, 592, 593, 594, 595, 596, 597, 598, 599, 600	330-3018
601, 602, 603, 604, 605, 606, 607, 608, 609, 610, 611, 612, 613, 614, 615, 616, 617, 618, 619, 620, 621, 622, 623, 624, 625, 626, 627, 628, 629, 630, 631, 632, 633, 634, 635, 636, 637, 638, 639, 640, 641, 642, 643, 644, 645, 646, 647, 648, 649, 650, 651, 652, 653, 654, 655, 656, 657, 658, 659, 660, 661, 662, 663, 664, 665, 666, 667, 668, 669, 670, 671, 672, 673, 674, 675, 676, 677, 678, 679, 680, 681, 682, 683, 684, 685, 686, 687, 688, 689, 690, 691, 692, 693, 694, 695, 696, 697, 698, 699, 700	330-3022
701, 702, 703, 704, 705, 706, 707, 708, 709, 710, 711, 712, 713, 714, 715, 716, 717, 718, 719, 720, 721, 722, 723, 724, 725, 726, 727, 728, 729, 730, 731, 732, 733, 734, 735, 736, 737, 738, 739, 740, 741, 742, 743, 744, 745, 746, 747, 748, 749, 750, 751, 752, 753, 754, 755, 756, 757, 758, 759, 760, 761, 762, 763, 764, 765, 766, 767, 768, 769, 770, 771, 772, 773, 774, 775, 776, 777, 778, 779, 780, 781, 782, 783, 784, 785, 786, 787, 788, 789, 790, 791, 792, 793, 794, 795, 796, 797, 798, 799, 800	330-3027
801, 802, 803, 804, 805, 806, 807, 808, 809, 810, 811, 812, 813, 814, 815, 816, 817, 818, 819, 820, 821, 822, 823, 824, 825, 826, 827, 828, 829, 830, 831, 832, 833, 834, 835, 836, 837, 838, 839, 840, 841, 842, 843, 844, 845, 846, 847, 848, 849, 850, 851, 852, 853, 854, 855, 856, 857, 858, 859, 860, 861, 862, 863, 864, 865, 866, 867, 868, 869, 870, 871, 872, 873, 874, 875, 876, 877, 878, 879, 880, 881, 882, 883, 884, 885, 886, 887, 888, 889, 890, 891, 892, 893, 894, 895, 896, 897, 898, 899, 900	330-3022
901, 902, 903, 904, 905, 906, 907, 908, 909, 910, 911, 912, 913, 914, 915, 916, 917, 918, 919, 920, 921, 922, 923, 924, 925, 926, 927, 928, 929, 930, 931, 932, 933, 934, 935, 936, 937, 938, 939, 940, 941, 942, 943, 944, 945, 946, 947, 948, 949, 950, 951, 952, 953, 954, 955, 956, 957, 958, 959, 960, 961, 962, 963, 964, 965, 966, 967, 968, 969, 970, 971, 972, 973, 974, 975, 976, 977, 978, 979, 980, 981, 982, 983, 984, 985, 986, 987, 988, 989, 990, 991, 992, 993, 994, 995, 996, 997, 998, 999, 1000	330-3027
1001, 1002, 1003, 1004, 1005, 1006, 1007, 1008, 1009, 1010, 1011, 1012, 1013, 1014, 1015, 1016, 1017, 1018, 1019, 1020, 1021, 1022, 1023, 1024, 1025, 1026, 1027, 1028, 1029, 1030, 1031, 1032, 1033, 1034, 1035, 1036, 1037, 1038, 1039, 1040, 1041, 1042, 1043, 1044, 1045, 1046, 1047, 1048, 1049, 1050, 1051, 1052, 1053, 1054, 1055, 1056, 1057, 1058, 1059, 1060, 1061, 1062, 1063, 1064, 1065, 1066, 1067, 1068, 1069, 1070, 1071, 1072, 1073, 1074, 1075, 1076, 1077, 1078, 1079, 1080, 1081, 1082, 1083, 1084, 1085, 1086, 1087, 1088, 1089, 1090, 1091, 1092, 1093, 1094, 1095, 1096, 1097, 1098, 1099, 1100	330-3022
1101, 1102, 1103, 1104, 1105, 1106, 1107, 1108, 1109, 1110, 1111, 1112, 1113, 1114, 1115, 1116, 1117, 1118, 1119, 1120, 1121, 1122, 1123, 1124, 1125, 1126, 1127, 1128, 1129, 1130, 1131, 1132, 1133, 1134, 1135, 1136, 1137, 1138, 1139, 1140, 1141, 1142, 1143, 1144, 1145, 1146, 1147, 1148, 1149, 1150, 1151, 1152, 1153, 1154, 1155, 1156, 1157, 1158, 1159, 1160, 1161, 1162, 1163, 1164, 1165, 1166, 1167, 1168, 1169, 1170, 1171, 1172, 1173, 1174, 1175, 1176, 1177, 1178, 1179, 1180, 1181, 1182, 1183, 1184, 1185, 1186, 1187, 1188, 1189, 1190, 1191, 1192, 1193, 1194, 1195, 1196, 1197, 1198, 1199, 1200	330-3027
1201, 1202, 1203, 1204, 1205, 1206, 1207, 1208, 1209, 1210, 1211, 1212, 1213, 1214, 1215, 1216, 1217, 1218, 1219, 1220, 1221, 1222, 1223, 1224, 1225, 1226, 1227, 1228, 1229, 1230, 1231, 1232, 1233, 1234, 1235, 1236, 1237, 1238, 1239, 1240, 1241, 1242, 1243, 1244, 1245, 1246, 1247, 1248, 1249, 1250, 1251, 1252, 1253, 1254, 1255, 1256, 1257, 1258, 1259, 1260, 1261, 1262, 1263, 1264, 1265, 1266, 1267, 1268, 1269, 1270, 1271, 1272, 1273, 1274, 1275, 1276, 1277, 1278, 1279, 1280, 1281, 1282, 1283, 1284, 1285, 1286, 1287, 1288, 1289, 1290, 1291, 1292, 1293, 1294, 1295, 1296, 1297, 1298, 1299, 1300	330-3022
1301, 1302, 1303, 1304, 1305, 1306, 1307, 1308, 1309, 1310, 1311, 1312, 1313, 1314, 1315, 1316, 1317, 1318, 1319, 1320, 1321, 1322, 1323, 1324, 1325, 1326, 132	



HOLE LEGEND

DRILL	HOLE DIA.	LOC.
DRILL	.015	1-10
PUNCH	.015	1-10
TOLERANCE	±.001	1-10

LOCATION	W.L. PART NO.	QTY.	TERM. NO.	TERM. NO.
L1, 6, 7	376-0104	8	16	16
L2	376-0036	7	14	14
L3	376-0010	7	14	14
L4	376-0002	7	14	14
L5, 9	376-0006	7	14	14
L6	376-0016	7	14	14
L10	376-0028	7	14	14
L11, 12, 13	376-0055	7	14	14
L14, 15	376-0119	8	16	16
L17 SKT	376-9003			
L17	377-0158		24	24
L18, 19	376-0148	7	14	14
L20, 22	376-0151	12	5	5
L21, 23	376-0128	7	14	14
* L16	DO NOT LOAD			

COMPONENT	W.L. PART NO.
R1, 4, 31, 33-43, 18, 16, 20, 22-23	330-3022
R3-8, 12, 15, 32, 52	330-3010
R9	330-4047
R11	330-2022
R13, 30	330-2039
R17, 19	330-4012
R18, 53	330-4018
R21, 44-51	330-3068
C3, 6, 8, 9	300-5004
C4	300-5006
C5, 10	300-1470
C11-19	300-1900
C2, 20, 21, 23	300-4022
SW.1	325-1503
SW.1 CAP	325-9047
C7	300-2033
D1	380-1001
C22	300-3003

LOCATION	TYPE	SHARES
L1	9602	1
L2	7486	1
L11	7406	2
L12	7406	3
L3	7404	1

1. ALL I.C. CHIPS ARE 7400 SERIES UNLESS OTHERWISE NOTED.

NO.	DATE	BY	DESCRIPTION
1	11/17/76	DWN	ORIGINATED FOR 7061
2	11/17/76	CHK	CHK'D BY 11/17/76
3	11/17/76	ENG	REVISED FOR 7061
4	11/17/76	ENG	REVISED FOR 7061

WANG PART NO.	ITEM	QTY.	NAME	MATERIAL	DESCRIPTION
210-7061	1	1	7061 R1	7061 R1	7061 R1

WANG

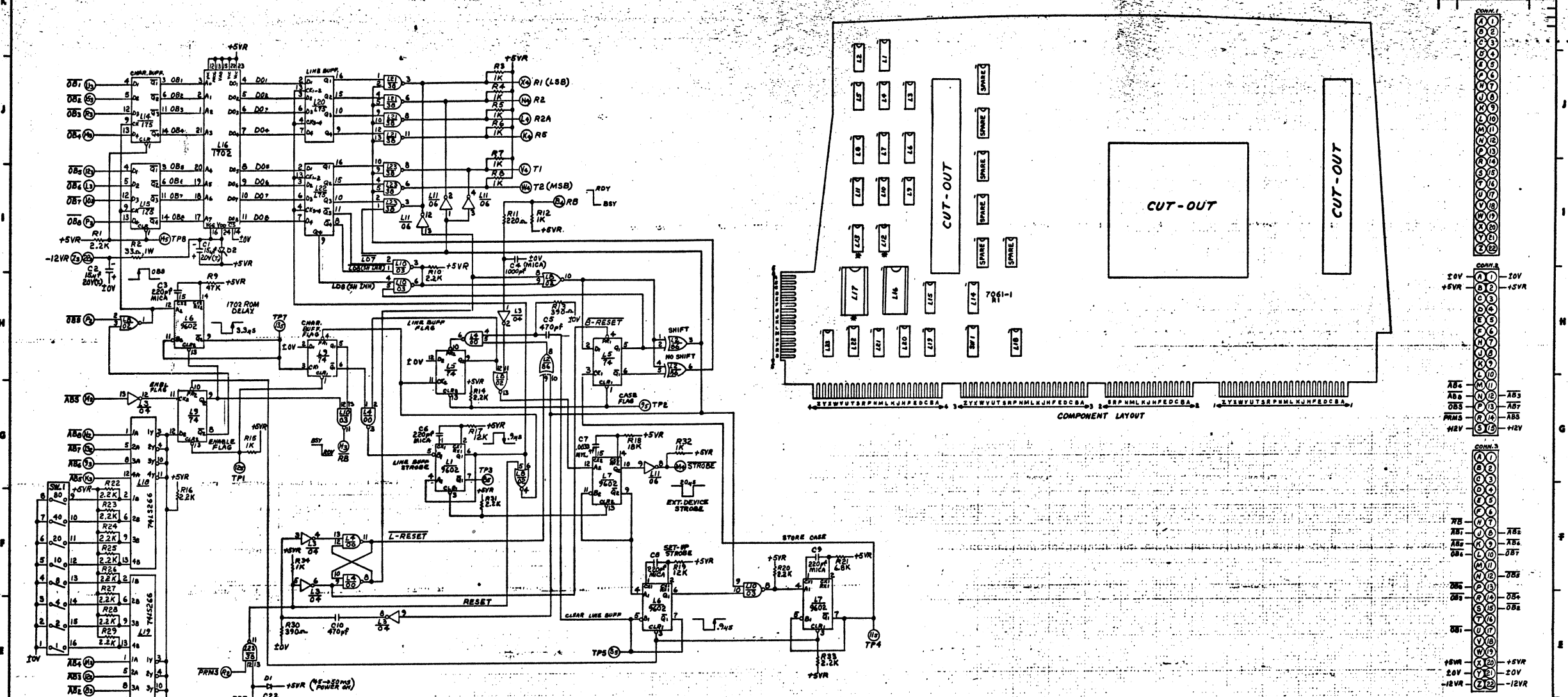
MODEL NO. 2200E/F

TITLE: SCHEMATIC LOGIC BLOCK DOUBLE BUFFERED TYPewriter/ PLOTTER OUTPUT

210-7061 E 7061 1

THIS DOCUMENT IS THE PROPERTY OF WANG LABORATORIES, INC. AND SHALL NOT BE REPRODUCED OR COPIED IN ANY MANNER FOR THE MANUFACTURE OR SALE OF APPARATUS OR SERVICE WITHOUT PERMISSION.

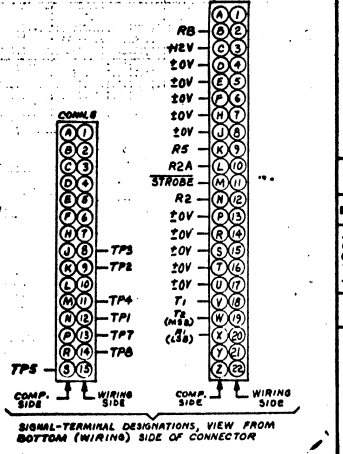
NO.	DESCRIPTION	QTY.
A		



LOCATION	W.L. PART NO.	QTY.	REMARKS
L1,6,7	376-0104	8	1cc 5VVR
L2	376-0036	7	14
L3	376-0010	7	14
L4	376-0002	7	14
L5,9	376-0006	7	14
L8	376-0016	7	14
L10	376-0028	7	14
L11	376-0053	7	14
L14,15	376-0119	8	16
L16 SKT	376-9003		
L18,19	376-0148	7	14
L20,22	376-0151	12	8
L21,23	376-0128	7	14
L16	377-0009		12
* L12,13,17	NOT LOADED		

COMPONENT	W.L. PART NO.
R1,R2,R3,R4,R5,R6,R7,R8,R9,R10,R11,R12,R13,R14,R15,R16,R17,R18,R19,R20,R21,R22,R23,R24,R25,R26,R27,R28,R29,R30,R31,R32	330-3022
R2	332-1033
R3-8,12,15,32,34	330-3010
R9	330-4047
R11	330-2022
R13,30	330-2039
R17,19	330-4012
R18,35	330-4016
R21	330-3066
R21	325-1503
SW.1	325-9047
SW.1 CAP	380-2091
D2	380-4022
C1,2,20,21,23	300-6004
C3,6,8,9	300-6006
C4	300-6006
C5,10	300-1970
C11,19	300-1908
C7	300-2033
C22	300-3009
D1	380-1601

LOCATION	TYPE	SPARES
L1	9402	1
L11	7406	2
L3	7404	1



NO.	DESCRIPTION	QTY.
1	ORIGINAL REV	
2	CHK ESD	
3	CHK ESD	
4	CHK ESD	
5	CHK ESD	
6	CHK ESD	
7	CHK ESD	
8	CHK ESD	
9	CHK ESD	
10	CHK ESD	
11	CHK ESD	
12	CHK ESD	
13	CHK ESD	
14	CHK ESD	

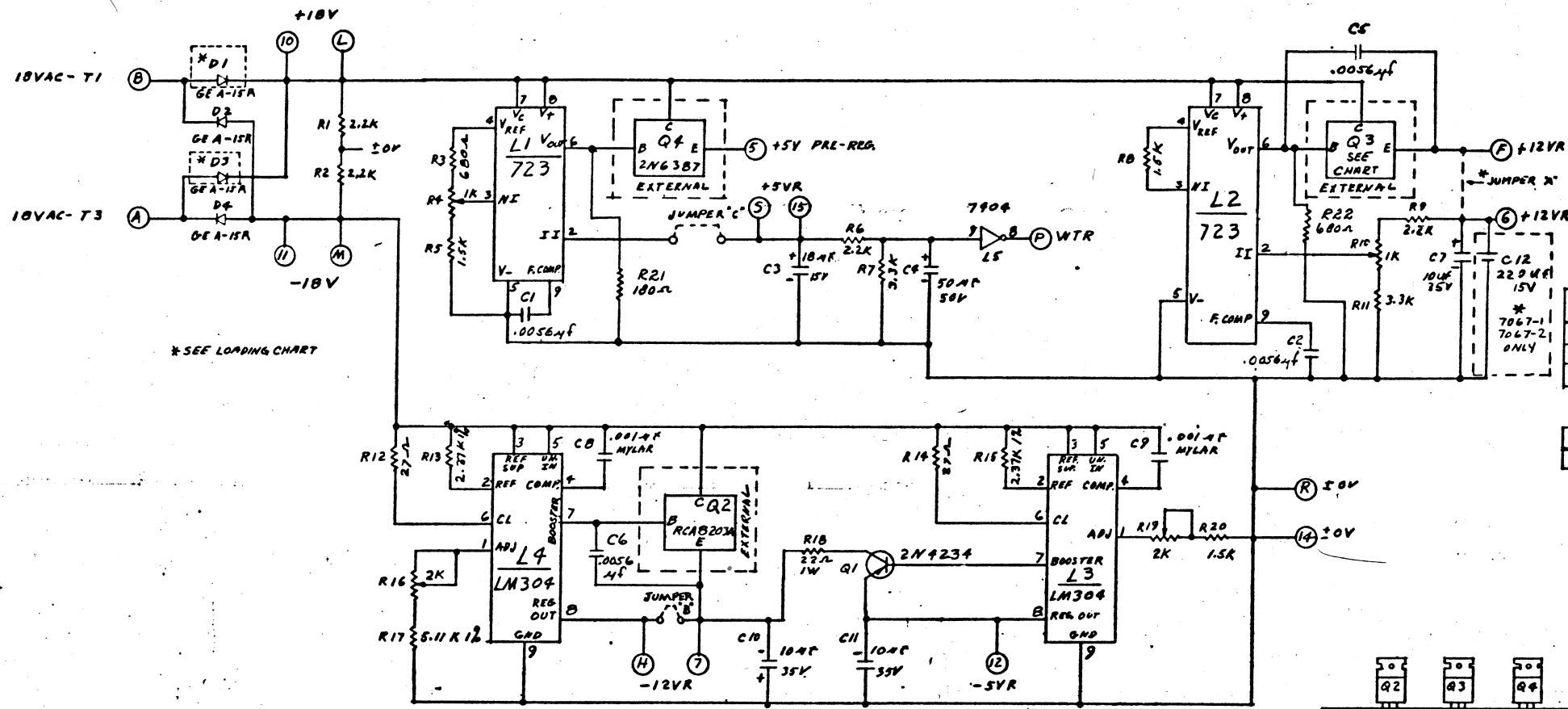
WANG PART NO.	ITEM	QTY.	NAME	MATERIAL	DESCRIPTION
210-7061			WANG LABORATORIES, INC.		
			MODEL NO. 2200 E/F		
			DOUBLE-BUFFERED TYPewriter/ PLOTTER OUTPUT		
			210-7061	E	7061-1

THE INFORMATION CONTAINED IN THIS DRAWING IS THE PROPERTY OF WANG LABORATORIES, INC. AND IS CONFIDENTIAL AND PROPRIETARY TO WANG LABORATORIES, INC. IT MAY NOT BE COPIED, REPRODUCED OR USED IN WHOLE OR IN PART FOR ANY REASON.

MILLIMETERS IN PARENTHESIS. TOLERANCES TO BE EQUIVALENT TO INCH DIMENSIONS.

DO NOT SCALE

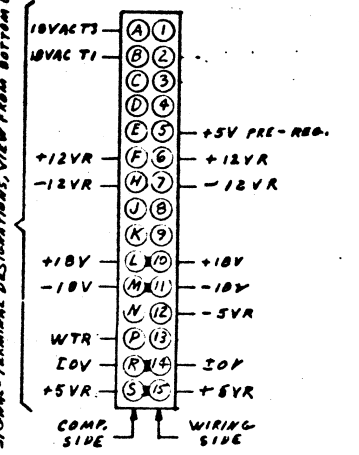
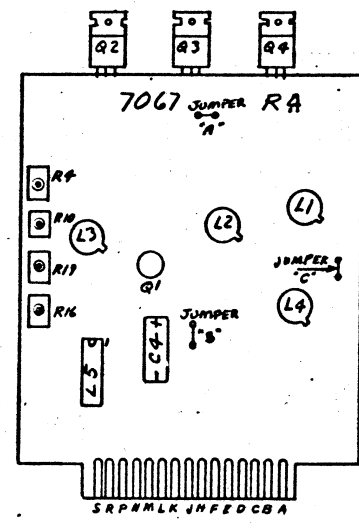
HOLE LEGEND & TOLERANCES		
HOLE DIA	TOLERANCE	
015 - 125	+ .003 - .001	
126 - 250	+ .004 - .001	
251 - 500	+ .005 - .001	
SYM	DESCRIPTION	QTY
A		



LOCATION	W.L. PART NO.	PIR NO.	FIN. NO.
L1, 2	376-0066	5	
L3, 4	376-0134	9	
L5	376-0010	7	14

I.C. TYPE	LOCATION	SPARE
7404	L5	5

LOADING CHART	
210-7067	AVANT LOAD C12, L040 375-1052 ON Q3
210-7067-1	DO NOT LOAD D1, D3 & JUMPER "A", CHG. C3 TO A 300-4020-474F, CHG. C7 TO A 300-4045-2204H L040 375-1052 ON Q3
210-7067-2	LOADING SAME AS 7067, BUT REMOVE JUMPER "B" LOAD 375-1052 ON Q3



COMPONENT	W.L. PART NO.
R1, 2, 6, 9	330-3022
R3, 22	330-2068
R4, 10	336-1014
R5, 8, 20	330-3015
R7, 11	330-3035
R16, 19	336-1032
R13, 215	332-0093
R12, 14	330-1027
R17	333-0088
R18	332-1032
R21	330-2018
C1, 2, 5, 6	300-7975
C3	300-8718
C4	300-570
C8, 9	300-2010
C7, 10, 11	300-4032
C12	300-4045
D1, 2, 3, 4	320-3008
Q1	375-1024
Q2	375-1053
Q3, 4	375-1052
Q1 PAD	375-9001

7067	7067-1	7067-2
E-REV	E-REV	E-REV
6	6	5

REV	DATE	BY	CHK	APP'D	DESCRIPTION
1	7-30-76	WJS			INITIAL DESIGN
2	8-11-76	WJS			REVISED PER N.C.O. 9/33
3	8-27-76	WJS			REVISED PER N.C.O. 9/33
4	9-11-76	WJS			REVISED PER N.C.O. 9/33
5	9-24-76	WJS			REVISED PER N.C.O. 9/33
6	10-1-76	WJS			REVISED PER N.C.O. 9/33
7	10-15-76	WJS			REVISED PER N.C.O. 9/33
8	10-29-76	WJS			REVISED PER N.C.O. 9/33
9	11-12-76	WJS			REVISED PER N.C.O. 9/33
10	12-1-76	WJS			REVISED PER N.C.O. 9/33
11	12-15-76	WJS			REVISED PER N.C.O. 9/33
12	12-29-76	WJS			REVISED PER N.C.O. 9/33

QTY	ITEM	WANG PART NO.	DRAWING NO.	DESCRIPTION
	NEXT ASSY			
		WANG LABORATORIES, INC.		
		TEMPERARY MADE U.S.A.		
		MODEL NO. 2200F		
		SEE ENGRG SPECIFICATIONS		
		TITLE SCHEMATIC		
		POWER SUPPLY REGULATOR		
		FINISH		
		TOL. EX. AS NOTED		
		XX ± FRAC ±		
		XXX ± ANG ± FINISH.		
		SCALE 1 SMT / OF 1		
		WANG PART NUMBER	SIZE	DRAWING NUMBER
				REV

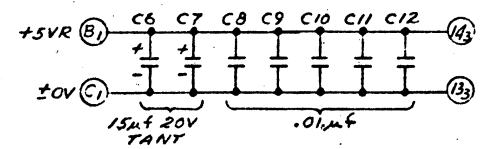
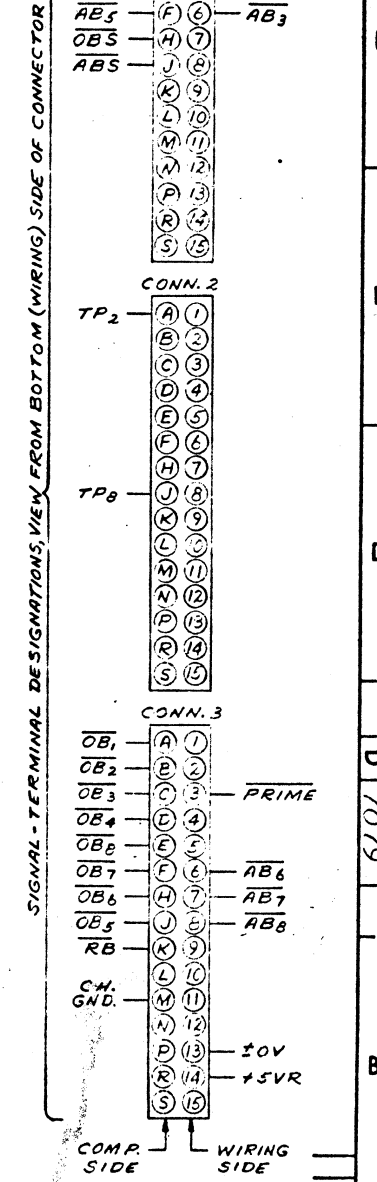
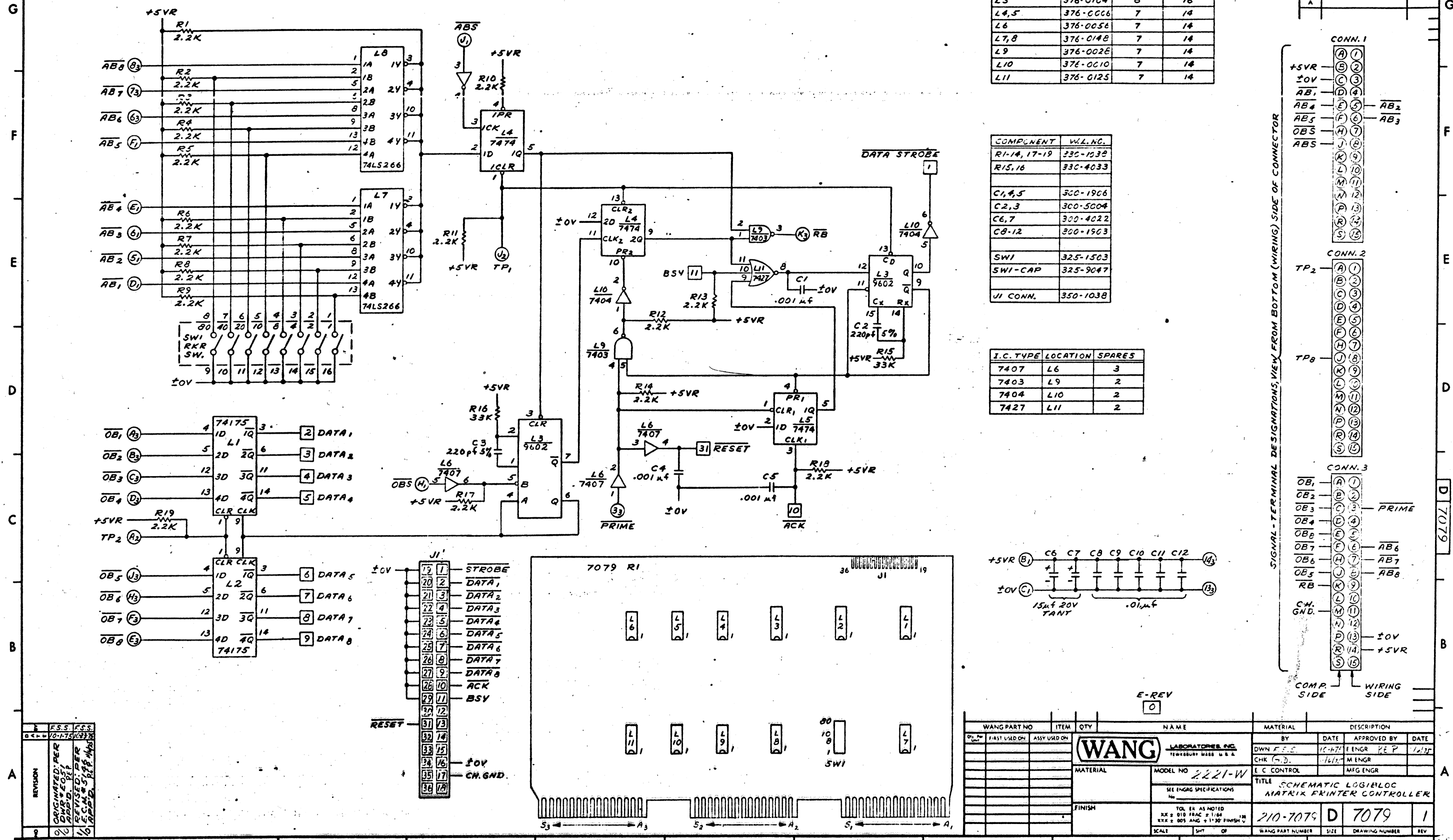
THIS DOCUMENT IS THE PROPERTY OF WANG LABORATORIES, INC. AND SHALL NOT BE REPRODUCED OR COPIED OR USED AS A BASIS FOR THE MANUFACTURE OR SALE OF APPARATUS OR DEVICES WITHOUT PERMISSION.

I.C. LOCATION	W.L. NO.	TERM. FOR ±0V	TERM. FOR VCC +5V
L1,2	376-0119	8	16
L3	376-0104	8	16
L4,5	376-0066	7	14
L6	376-0056	7	14
L7,8	376-0148	7	14
L9	376-0026	7	14
L10	376-0010	7	14
L11	376-0125	7	14

HOLE LEGEND		
DRILLED OR PUNCHED HOLE	HOLE DIA.	TOL.
DRILLED HOLE	0.125 ± 0.001	± 0.001
PUNCHED HOLE	1.25 ± 0.005	± 0.005
TOLERANCES	251 ± 0.005	± 0.005

COMPONENT	W.L. NO.
R1-14, 17-19	230-1039
R15,16	330-4033
C1,4,5	300-1906
C2,3	300-5004
C6,7	300-4022
C8-12	300-1903
SW1	325-1503
SWI-CAP	325-9047
J1 CONN.	350-1038

I.C. TYPE	LOCATION	SPARES
7407	L6	3
7403	L9	2
7404	L10	2
7427	L11	2



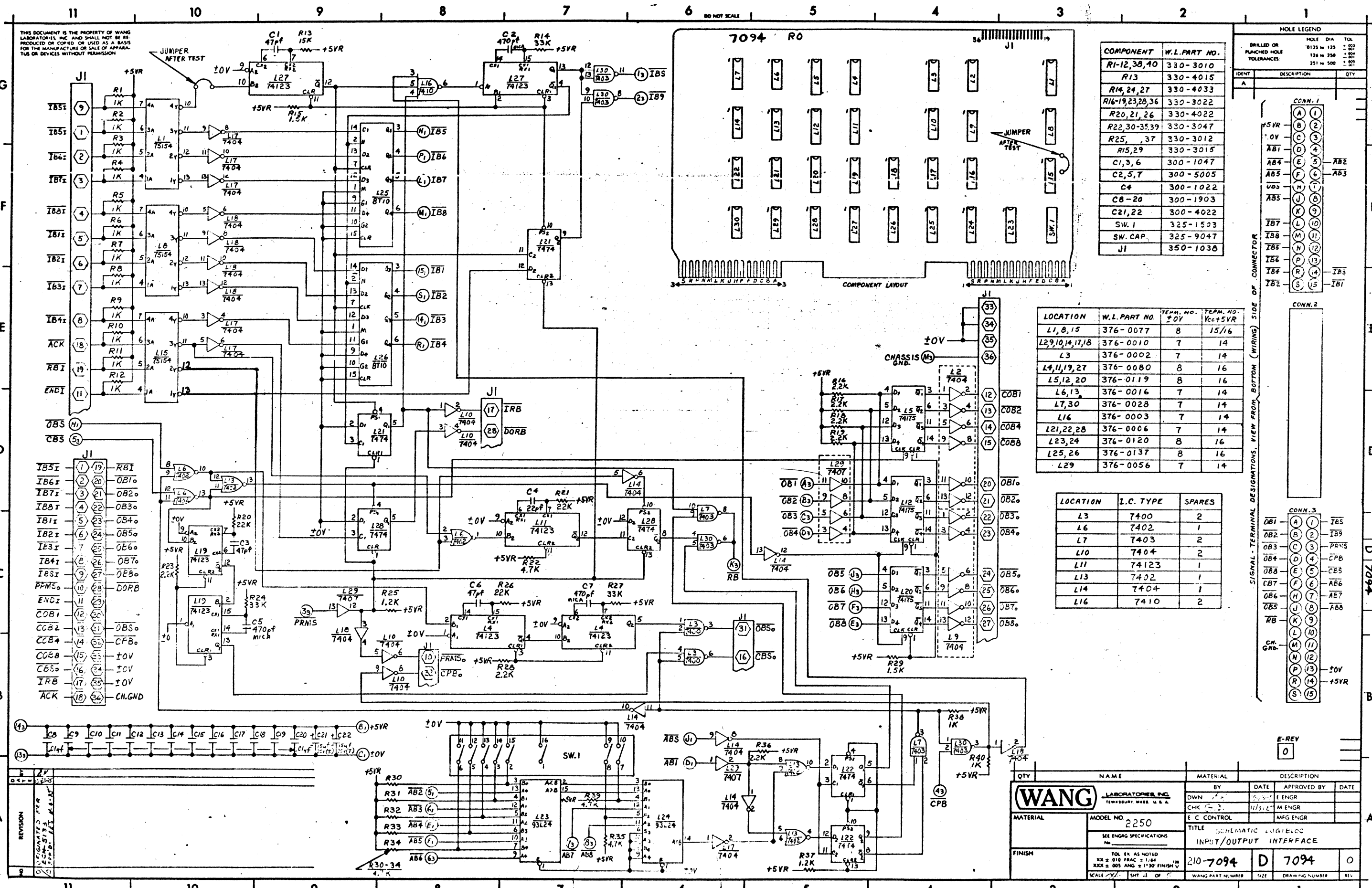
WANG PART NO.	ITEM	QTY	NAME	MATERIAL	DESCRIPTION
2221-W					

BY	DATE	APPROVED BY	DATE
OWN F.E.S.	12-75	ENGR. PE P	1/1/76
CHK G.D.	1/1/76	M ENGR	

E.C. CONTROL	MFG ENGR

TITLE	SCHEMATIC LOGIC/BLOC	MATRIX PRINTER CONTROLLER
210-7079	D	7079

REVISION	DATE	BY	DESCRIPTION
1	10-75	F.E.S.	ORIGINAL PER REVISED PER
2	11-75	G.D.	REVISED PER REVISED PER
3	12-75	G.D.	REVISED PER REVISED PER



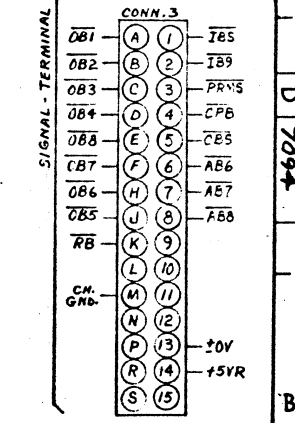
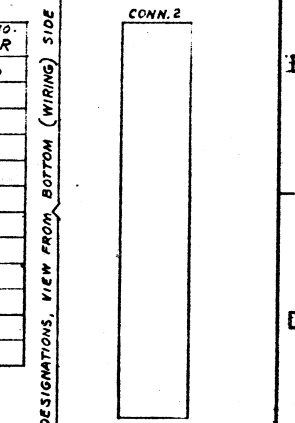
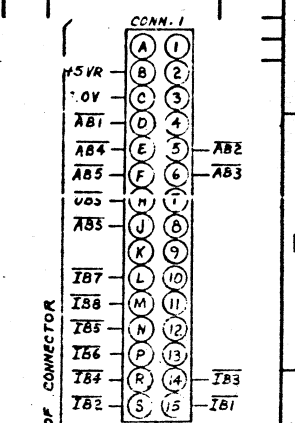
THIS DOCUMENT IS THE PROPERTY OF WANG LABORATORIES, INC. AND SHALL NOT BE REPRODUCED OR COPIED OR USED AS A BASIS FOR THE MANUFACTURE OR SALE OF APPARATUS OR DEVICES WITHOUT PERMISSION.

COMPONENT	W.L. PART NO.
R1-12, 38, 40	330-3010
R13	330-4015
R14, 24, 27	330-4033
R16-19, 23, 28, 36	330-3022
R20, 21, 26	330-4022
R22, 30-35, 39	330-3047
R25, 37	330-3012
R15, 29	330-3015
C1, 3, 6	300-1047
C2, 5, 7	300-5005
C4	300-1022
C8-20	300-1903
C21, 22	300-4022
SW. 1	325-1523
SW. CAP.	325-9047
J1	350-1038

LOCATION	W.L. PART NO.	TERM. NO. ±0V	TERM. NO. Vcc+5VR
L1, 8, 15	376-0077	8	15/16
L2, 9, 10, 14, 17, 18	376-0010	7	14
L3	376-0002	7	14
L4, 11, 19, 27	376-0080	8	16
L5, 12, 20	376-0119	8	16
L6, 13	376-0016	7	14
L7, 30	376-0028	7	14
L16	376-0003	7	14
L21, 22, 28	376-0006	7	14
L23, 24	376-0120	8	16
L25, 26	376-0137	8	16
L29	376-0056	7	14

LOCATION	I.C. TYPE	SPARES
L3	7400	2
L6	7402	1
L7	7403	2
L10	7404	2
L11	74123	1
L13	7402	1
L14	7404	1
L16	7410	2

MOLE LEGEND		
DRILLED OR PUNCHED HOLE TOLERANCES	MOLE DIA	TOL
	0135 to 125	±.003
	126 to 250	±.004
	251 to 500	±.005

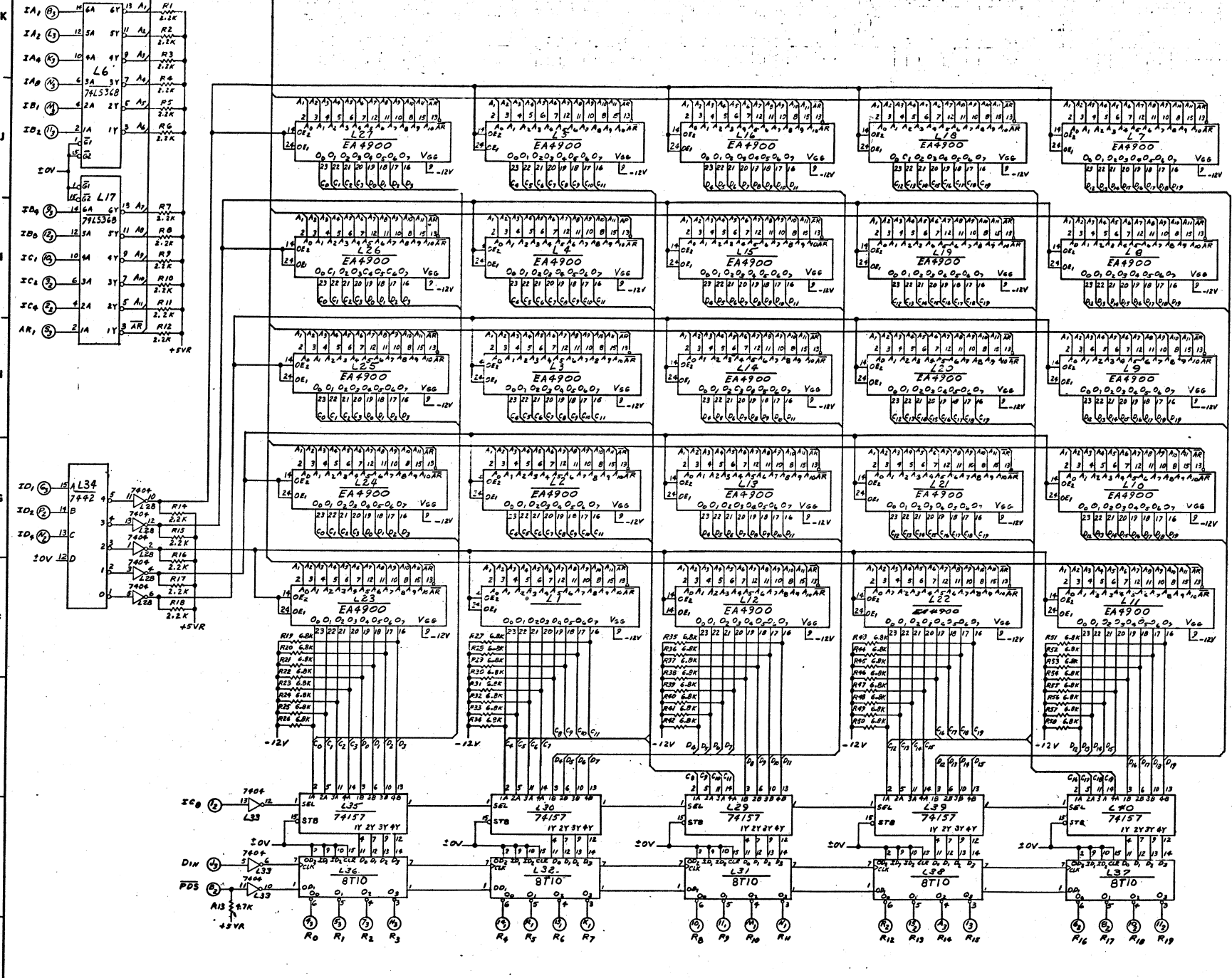


QTY	NAME	MATERIAL	DESCRIPTION
	WANG LABORATORIES, INC. TEMPORARY MADE U.S.A.		
	MODEL NO. 2250		
	SEE ENG'G SPECIFICATIONS		
	SCALE: 1/8" = 1" (FRAC) 1/32" = 1" (ANG) ±.001 FINISH		
		210-7094	D 7094

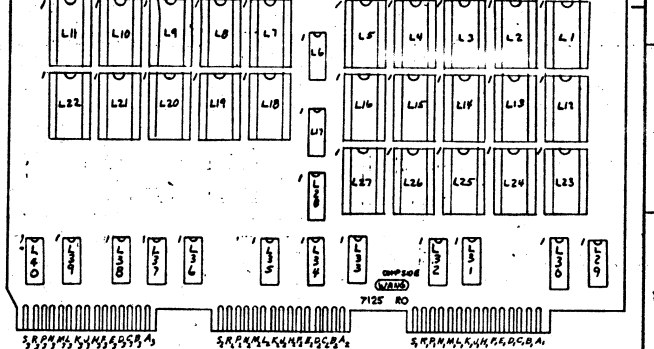
REVISION	DATE	BY	DESCRIPTION
1			

THIS DOCUMENT IS THE PROPERTY OF WANG LABORATORIES, INC. AND SHALL NOT BE REPRODUCED OR COPIED OR USED AS A BASIS FOR THE MANUFACTURE OF ANY EQUIPMENT OR DEVICES WITHOUT PERMISSION.

HOLE LEGEND		
DRILLED OR PUNCH-HOLE	HOLE DIA.	TOL.
110	.125	±.01
120	.150	±.01
130	.200	±.01



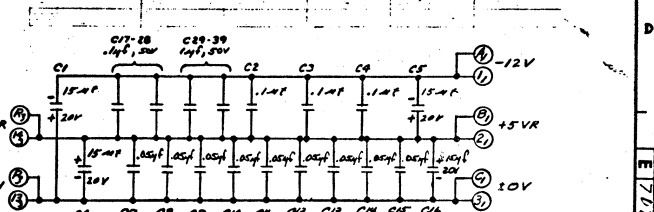
COMPONENT LAYOUT



LOCATION	W.L. PART NO.	QTY	DESCRIPTION
L1-L17	SEE CHART	1	
R1-R19	376-0193	8	16
L18	376-0008	8	16
L19	376-0010	7	14
L20-L25	376-0082	8	16
L26-L28	376-0137	8	16

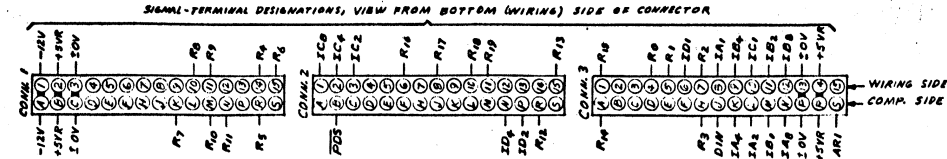
LOC	TYPE	LOC	SPARE
7404	L33	1	
7404	L32	3	

VARIATION CHART				
2200S	W/OP22	W/OP25	2200T	2200T
L0C 310-7 25-A	310-7 25-B	310-7 25-C	310-7 25-D	310-7 25-E
L1				
L2	377-0234	377-0234	377-0234	377-0332
L3	377-0235	377-0235	377-0235	377-0333
L4		377-0237	377-0237	377-0334
L5			377-0307	377-0335
L6				
L7			377-0303	377-0303
L8			377-0284	377-0284
L9	377-0231	377-0231	377-0231	377-0298
L10	377-0234	377-0234	377-0234	377-0298
L11	377-0241	377-0241	377-0241	377-0241
L12	377-0242	377-0242	377-0242	377-0242
L13	377-0237	377-0237	377-0237	377-0237
L14	377-0232	377-0232	377-0232	377-0299
L15			377-0285	377-0285
L16			377-0304	377-0304
L17				
L18			377-0306	377-0334
L19			377-0294	377-0294
L20	377-0234	377-0234	377-0234	377-0328
L21	377-0293	377-0293	377-0293	377-0331
L22				
L23	377-0243	377-0243	377-0243	377-0243
L24	377-0292	377-0292	377-0292	377-0330
L25	377-0233	377-0233	377-0233	377-0327
L26			377-0235	377-0295
L27			377-0305	377-0333



SEP 29 1970

E-REV



WANG PART NO.	ITEM	QTY	N.A. REF.	MATERIAL	DESCRIPTION
2200S/T					

BY	DATE	APPROVED BY	DATE
OWN E.S.B.			
CHK M.E.H.			
I.C. CONTROL			

TITLE SCHEMATIC LOGIC LOC
20 BIT R.O.M. MEMORY

SCALE 1/8" = 1"

REV.	DATE	DESCRIPTION
1		ISSUED FOR FAB
2		ISSUED FOR FAB
3		ISSUED FOR FAB

This document is the property of Wang Laboratories, Inc. and shall not be reproduced or copied in any form for the manufacture or sale of apparatus or service without permission.

HOLE LAYOUT		
DRILL DIA.	WALL THK.	TOL.
0.125	0.003	±0.002
0.1875	0.003	±0.002
0.250	0.003	±0.002

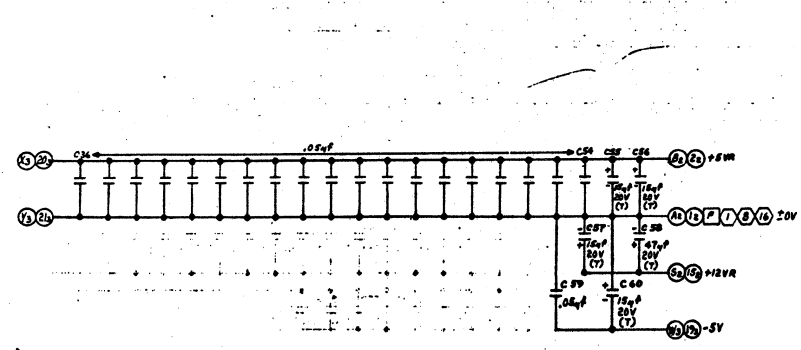
COMPONENT	W.L. PART NO.
SWITCH 1	325-1503
Q1	375-0017
Q2,3	375-1050
J2	376-9002
C1	300-1068
C2-5,16-30	300-1930
C6-13, 20-27	300-1931
C14, 28, 35	300-4017
C15	300-1220
C31, 32	300-1913
C33, 34-54, 59	300-1900
C34, 35, 56, 57, 60	300-4022
C36	300-1903
C37	300-2047
C58	300-4034
R1, 54	330-3010
R2-10, 33-40	330-4010
R11-14, 16-24, 28, 29, 31, 42, 43, 45, 47-51, 53, 55, 56, 30, 48, 60, 61	330-3047
R15	330-2033
R27, 32	330-1011
R41, 44	330-4012
R44	330-4047
R52, 58	330-2069
R57	330-6028
R59	330-2018
XTAL 1	321-0018
XTAL 2	321-0015
D1	380-1001 48

LOCATION	W.L. PART NO.	FORM. NO.	FORM. NO. VCU +SVR
L1-8, 14-23	377-0314	10	10
L9, 24, 44A	376-0062	8	16
L10, 72	376-0005	11	4
L11, 26, 40, 54, 56, 64, 63, 44B	376-0192	8	16
L12	377-0337		
L13, 14	376-0008	8	16
L15, 37, 47	376-0010	7	14
L26	376-0011	10	5
L27	377-0269	2	28
L28	377-0338	14	28
L29	SEE CHART		
L30	377-0318	4	24
L31	376-0049	8	16
L32, 60	376-0093	7	14
L33, 34, 57	376-0155	7	14
L35, 50, 58	376-0002	7	14
L36, 57, 75, 15A	376-0193	8	16
L38	376-0004	7	14
L39	376-0108	8	16
L41, 43, 63, 56	376-0160	8	16
L42, 44	376-0094	8	16
L45, 46	376-0076	4	14
L48	376-0178	7	14
L49	376-0059	14	7
L51, 71	376-0006	7	14
L52	376-0126	1	8
L61, 62	376-0077	8	16
L63, 74, 29A	376-0081	7	14
L64, 65	376-0148	7	14
L67, 68	376-0119	8	16
L70	376-0104	8	16
L73	376-0016	7	14
L27 SOCKET	376-9011		
28PIN SOCKET	376-9015		

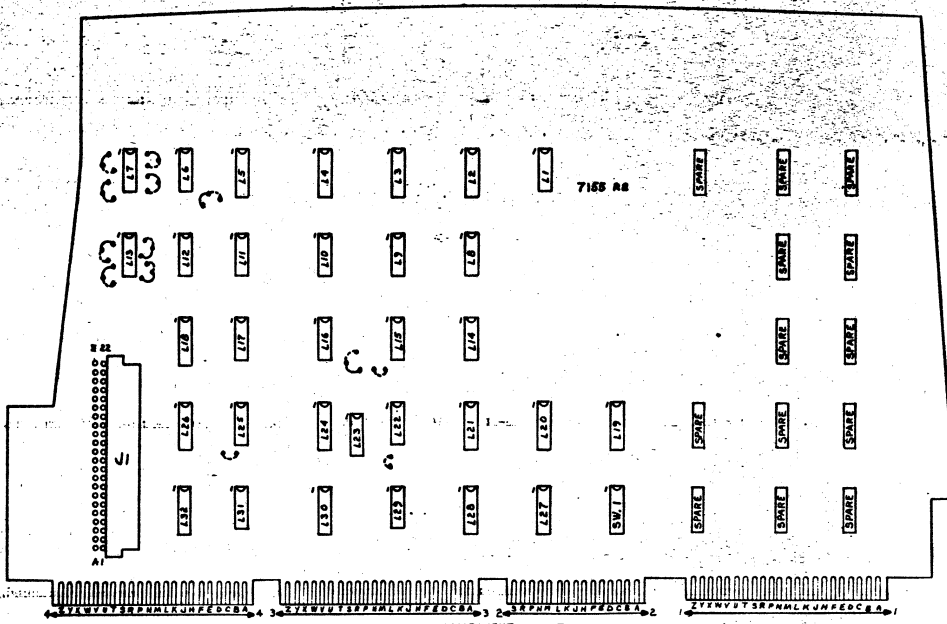
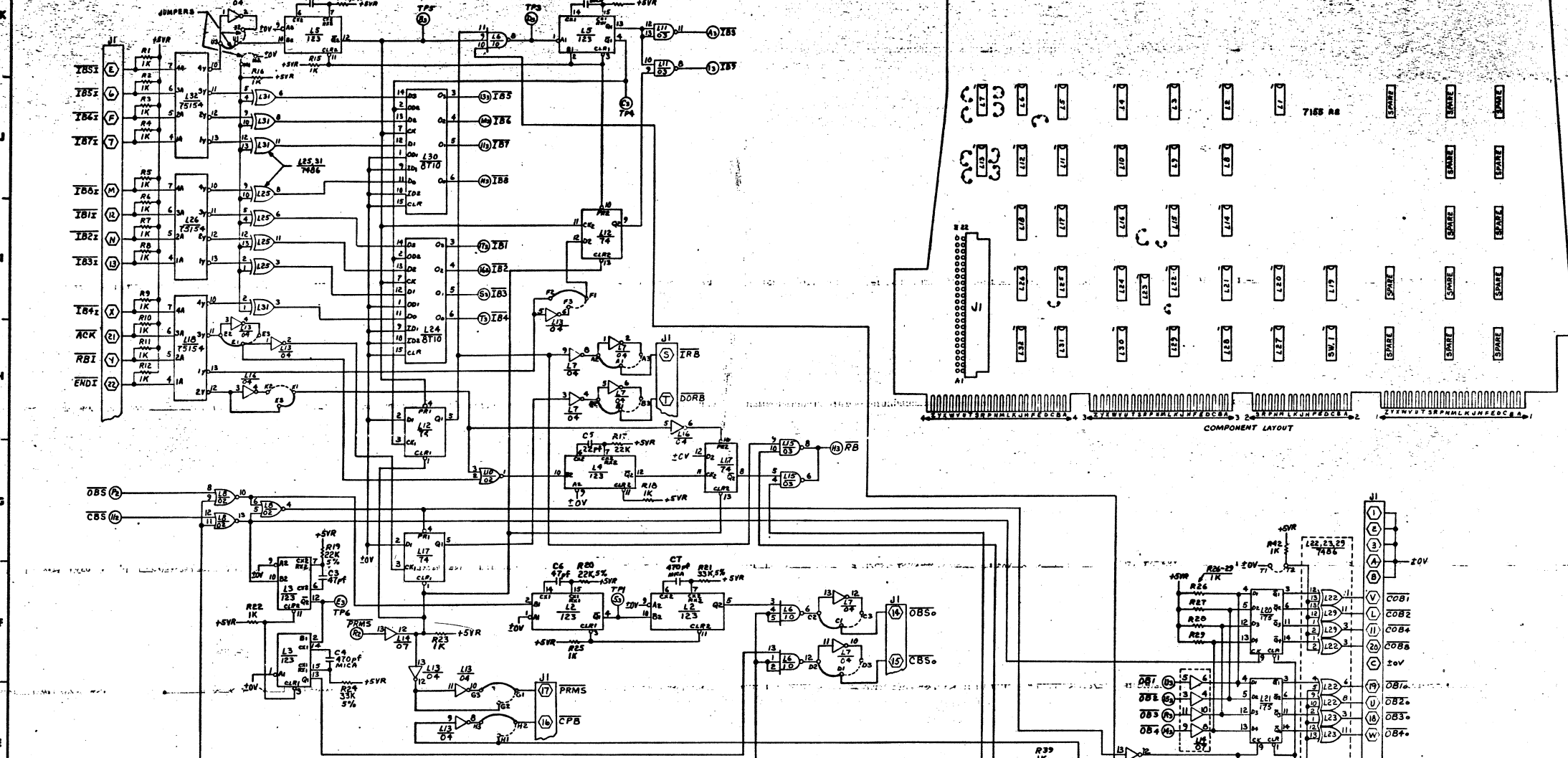
LOCATION	TYPE	SPARES
L13	7442	1
L14	7442	3
L37	7404	1
L38	7420	1
L51	7474	1
L63	7408	1
L73	7402	3
L74	7408	1
L75	74LS368	1

PROM CHART

E10 = 209 + 377 OR 378			
MODEL	210	209	L29
OPT 62	7153-A	7153	378-2045 R2
OPT 62B	7153-1A	7153-1	378-2040 R3



THIS DOCUMENT IS THE PROPERTY OF WANG LABORATORIES, INC. AND IS TO BE USED ONLY FOR THE MANUFACTURE OF THIS PRODUCT. IT IS TO BE RETURNED TO WANG LABORATORIES, INC. UPON REQUEST.

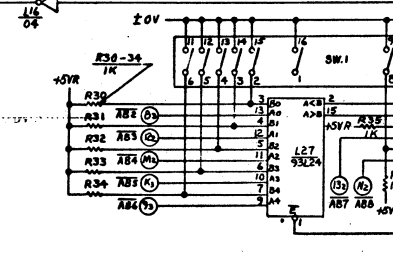


HOLE LEGEND

HOLE DIA.	NO.	DESCRIPTION
0.0625	1	PLATED THROUGH HOLE
0.0625	2	PLATED THROUGH HOLE
0.0625	3	PLATED THROUGH HOLE
0.0625	4	PLATED THROUGH HOLE
0.0625	5	PLATED THROUGH HOLE
0.0625	6	PLATED THROUGH HOLE
0.0625	7	PLATED THROUGH HOLE
0.0625	8	PLATED THROUGH HOLE
0.0625	9	PLATED THROUGH HOLE
0.0625	10	PLATED THROUGH HOLE
0.0625	11	PLATED THROUGH HOLE
0.0625	12	PLATED THROUGH HOLE
0.0625	13	PLATED THROUGH HOLE
0.0625	14	PLATED THROUGH HOLE
0.0625	15	PLATED THROUGH HOLE
0.0625	16	PLATED THROUGH HOLE
0.0625	17	PLATED THROUGH HOLE
0.0625	18	PLATED THROUGH HOLE
0.0625	19	PLATED THROUGH HOLE
0.0625	20	PLATED THROUGH HOLE
0.0625	21	PLATED THROUGH HOLE
0.0625	22	PLATED THROUGH HOLE
0.0625	23	PLATED THROUGH HOLE
0.0625	24	PLATED THROUGH HOLE
0.0625	25	PLATED THROUGH HOLE
0.0625	26	PLATED THROUGH HOLE
0.0625	27	PLATED THROUGH HOLE
0.0625	28	PLATED THROUGH HOLE
0.0625	29	PLATED THROUGH HOLE
0.0625	30	PLATED THROUGH HOLE
0.0625	31	PLATED THROUGH HOLE
0.0625	32	PLATED THROUGH HOLE
0.0625	33	PLATED THROUGH HOLE
0.0625	34	PLATED THROUGH HOLE
0.0625	35	PLATED THROUGH HOLE
0.0625	36	PLATED THROUGH HOLE
0.0625	37	PLATED THROUGH HOLE
0.0625	38	PLATED THROUGH HOLE
0.0625	39	PLATED THROUGH HOLE
0.0625	40	PLATED THROUGH HOLE
0.0625	41	PLATED THROUGH HOLE
0.0625	42	PLATED THROUGH HOLE
0.0625	43	PLATED THROUGH HOLE
0.0625	44	PLATED THROUGH HOLE
0.0625	45	PLATED THROUGH HOLE
0.0625	46	PLATED THROUGH HOLE
0.0625	47	PLATED THROUGH HOLE
0.0625	48	PLATED THROUGH HOLE
0.0625	49	PLATED THROUGH HOLE
0.0625	50	PLATED THROUGH HOLE
0.0625	51	PLATED THROUGH HOLE
0.0625	52	PLATED THROUGH HOLE
0.0625	53	PLATED THROUGH HOLE
0.0625	54	PLATED THROUGH HOLE
0.0625	55	PLATED THROUGH HOLE
0.0625	56	PLATED THROUGH HOLE
0.0625	57	PLATED THROUGH HOLE
0.0625	58	PLATED THROUGH HOLE
0.0625	59	PLATED THROUGH HOLE
0.0625	60	PLATED THROUGH HOLE
0.0625	61	PLATED THROUGH HOLE
0.0625	62	PLATED THROUGH HOLE
0.0625	63	PLATED THROUGH HOLE
0.0625	64	PLATED THROUGH HOLE
0.0625	65	PLATED THROUGH HOLE
0.0625	66	PLATED THROUGH HOLE
0.0625	67	PLATED THROUGH HOLE
0.0625	68	PLATED THROUGH HOLE
0.0625	69	PLATED THROUGH HOLE
0.0625	70	PLATED THROUGH HOLE
0.0625	71	PLATED THROUGH HOLE
0.0625	72	PLATED THROUGH HOLE
0.0625	73	PLATED THROUGH HOLE
0.0625	74	PLATED THROUGH HOLE
0.0625	75	PLATED THROUGH HOLE
0.0625	76	PLATED THROUGH HOLE
0.0625	77	PLATED THROUGH HOLE
0.0625	78	PLATED THROUGH HOLE
0.0625	79	PLATED THROUGH HOLE
0.0625	80	PLATED THROUGH HOLE
0.0625	81	PLATED THROUGH HOLE
0.0625	82	PLATED THROUGH HOLE
0.0625	83	PLATED THROUGH HOLE
0.0625	84	PLATED THROUGH HOLE
0.0625	85	PLATED THROUGH HOLE
0.0625	86	PLATED THROUGH HOLE
0.0625	87	PLATED THROUGH HOLE
0.0625	88	PLATED THROUGH HOLE
0.0625	89	PLATED THROUGH HOLE
0.0625	90	PLATED THROUGH HOLE
0.0625	91	PLATED THROUGH HOLE
0.0625	92	PLATED THROUGH HOLE
0.0625	93	PLATED THROUGH HOLE
0.0625	94	PLATED THROUGH HOLE
0.0625	95	PLATED THROUGH HOLE
0.0625	96	PLATED THROUGH HOLE
0.0625	97	PLATED THROUGH HOLE
0.0625	98	PLATED THROUGH HOLE
0.0625	99	PLATED THROUGH HOLE
0.0625	100	PLATED THROUGH HOLE

SIGNAL	JUMPER FOR NORMAL OPERATION	JUMPER TO INVERT SIGNAL
I81-I82	NONE (M)	MI-M2
I83-I84	UI-U3	UI-U2
ACK	E1-E2	E1-E3
RBI	K1-K3	K1-K2
ENDI	F1-F2	F1-F3
IRB	A1-A2	A1-A3
DORB	B1-B2	B1-B3
PRMS	G1-G3	G1-G2
CPB	H2-H3	HI-H2
OB5	C1-C2	CI-C3
OB6	D1-D2	DI-D3
OB1-OB6	NONE (Y)	Y1-Y2
OB1-OB6	NONE (N)	NI-N2

COMPONENT	W.L. PART NO.
R1-12, 15, 16, 22, 23, 25-40, 41, 43	330-3010
R13	330-4016
R14, 21, 24	330-4034
R17	330-4022
R19, 20	330-4023
R41	330-3015
C1, 3, 6	300-1047
C2, 4, 7	300-5005
C5	300-1022
CB-25	300-1903
C26, 27	300-4022
SW.1	325-1503
SW.1 CAP	325-9047
J1	350-0022



LOCATION	W.L. PART NO.	TERMINAL	TERMINAL
L1, 7, 13, 16	376-0010	7	14
L2, 3, 4, 5	376-0080	8	16
L6	376-0003	7	14
L8, 10	376-0016	7	14
L9, 12, 17	376-0006	7	14
L11, 15	376-0028	7	14
L14	376-0056	7	14
L18, 26, 32	376-0077	8	16
L19, 27	376-0120	8	16
L20, 21, 28	376-0119	8	16
L22, 23, 25, 29, 31	376-0036	8	16
L24, 30	376-0137	8	16

LOCATION	TYPE	SPARES
L1	7404	3
L4	74123	1
L8	7402	1
L10	7402	1
L11	7403	2

1. ALL I.C. CHIPS ARE 7400 SERIES UNLESS OTHERWISE SPECIFIED.

NOTES

NO.	DATE	BY	DESCRIPTION
1	11/17/77
2
3
4
5
6
7
8
9
10
11
12
13
14

WANG PART NO.	ITEM	QTY	NAME	MATERIAL	DESCRIPTION
210-7155	E	1
7155	E	4

WANG LABORATORIES, INC. MODEL NO. 2250 FOR PCS INPUT/OUTPUT INTERFACE

DATE: 11/17/77

SCALE: 1/4" = 1"

THIS DOCUMENT IS THE PROPERTY OF WANG
 LABORATORIES, INC. IT IS TO BE
 PRODUCED OR COPIED, OR USED AS A BASIS
 FOR THE MANUFACTURE OR SALE OF ANYTHING,
 OR FOR THE REPRODUCTION OF ANYTHING,
 IN WHOLE OR IN PART, WITHOUT PERMISSION.

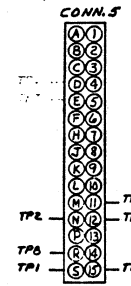
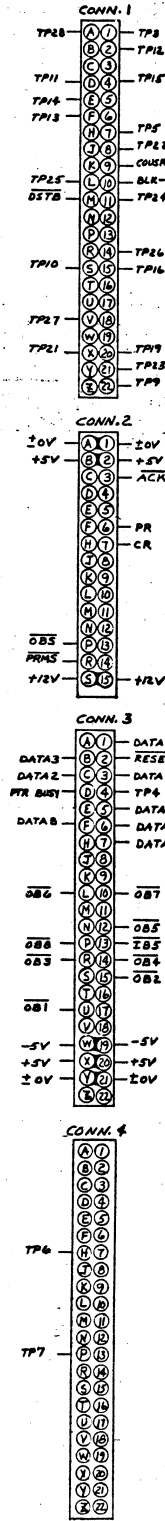
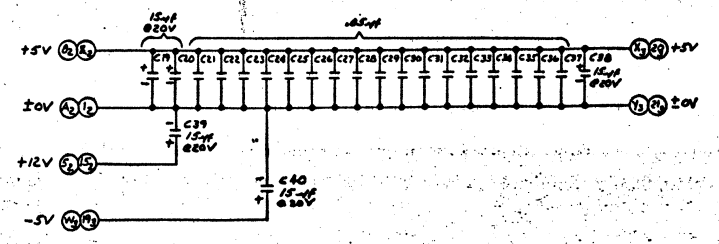
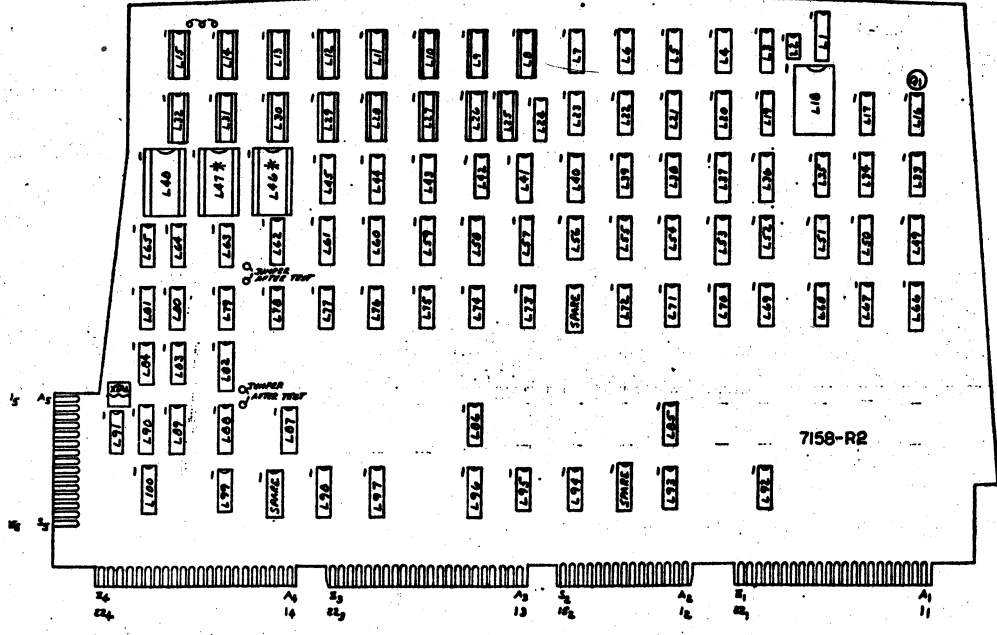
HOLE LEGEND	
SHAPE OR	SIZE OR
REMARKS	REMARKS
QTY	DESCRIPTION
A	

LOCATION	W/L PR. NO.	VEC	QTY
L1, 76	376-0109	16 8	
L2	376-0126	8 1	
L3, 38, 46, 49, 51	376-0002	14 7	
L4	376-0108	14 7	
L5	376-0199	14 7	
L6, 7, 8, 10, 12, 13, 15, 16, 17, 18, 19, 20, 21, 22, 23, 24, 25, 26, 27, 28, 29, 30, 31, 32, 33, 34, 35, 36, 37, 38, 39, 40, 41, 42, 43, 44, 45, 46, 47, 48, 49, 50, 52, 53, 54, 55, 56, 57, 58, 59, 60, 61, 62, 63, 64, 65, 66, 67, 68, 69, 70, 71, 72, 73, 74, 75, 76, 77, 78, 79, 80, 81, 82, 83, 84, 85, 86, 87, 88, 89, 90, 91, 92, 93, 94, 95, 96, 97, 98, 99, 100	376-0001	14 7	
L8-15, 25-32	376-9002	10 9	
L16, 17, 48, 71, 72, 74, 83, 95	376-0006	14 7	
L18	376-0090	24 12	
L19, 35	376-0004	14 7	
L20, 21, 44, 45, 97, 98	376-0119	16 8	
L22, 76	376-0003	14 7	
L23, 24, 81	376-0010	14 7	
L24	376-0202	14 7	
L26	376-0790	16 8	
L28, 39, 52	376-0149	14 7	
L40	376-0023	16 8	
L41, 88, 89, 90	376-0094	16 8	
L43	376-0105	16 8	
L44, 47, 48	377-0217	24 12	
L47, 49, 53	376-0153	16 8	
L50, 87, 100	376-0120	16 8	
L51, 70, 93	376-0016	14 7	
L55, 68, 86	376-0093	16 7	
L56, 62, 73, 74	376-0011	5 10	
L57, 58, 59, 64	376-0082	16 8	
L60, 61, 82	376-0191	16 8	
L62	376-0162	16 8	
L64, 65	376-0055	14 7	
L75, 85	376-0028	16 7	
L84	376-0197	14 7	
L94	376-0056	14 7	
L99	376-0031	14 7	
L8-15, 25-32	376-9002		
L8, 48	376-9003		
* NOT LOADED	L96, 67		

SPARES		
LOCATION	TYPE	QTY
L22	7400	1
L22	7410	1
L23	7404	1
L24	74574	1
L51	7402	1
L64	7406	1
L65	7406	4
L72	7408	1
L78	7408	1
L81	7404	1
L85	7403	3
L86	7422	2
L91	7400	3
L92	7408	3
L93	7402	3
L94	7407	4
L75	7403	1
L84	74504	3

PARTS LIST	
COMPONENT	W/L PR. NO.
R1, 2, 28	330-3022
R6, 7, 8, 10, 12, 13, 15, 16, 17, 18, 19, 20, 21, 22, 23, 24, 25, 26, 27, 28, 29, 30, 31, 32, 33, 34, 35, 36, 37, 38, 39, 40, 41, 42, 43, 44	330-3047
R9, 10, 13	330-3022
R11	330-3015
R14, 31, 32	330-3047
R14	331-1015
R15, 16	331-1033
R19	330-4018
R21, 30, 37, 39, 23	330-3010
R22	330-3062
R24	330-3010
R45	330-4047
R46, 48	330-4033
R17	331-2047
Q1	375-1021
Q1 TRIM-RND	375-9001
XTAL	321-0018
C11, 11, 13	300-5004
C9, 12	300-5004
C3	300-4018
C4	300-4020
C5	300-4002
C6, 8	300-1220
C7, 14	300-5007
C10	300-1904
C15	300-1470
C16	300-3093
C17, 18	300-1803
C19, 20, 20-41	300-4022
C21-27	300-1900
C2	300-1930
C82	300-1330
L8-15, 25-32 SKT	377-0069
L88 SKT	376-9003

JUMPER CHART	
COMMON	7158-1 7158
0-0	d b d b



WANG PART NO.	ITEM	QTY	NAME	MATERIAL	DESCRIPTION
7158-1	7158				
WANG LABORATORIES, INC.					
MODEL NO. 2236					
TITLE: IO, 80X24 CRT, PRINTER					
210-7158 E 7158 5					

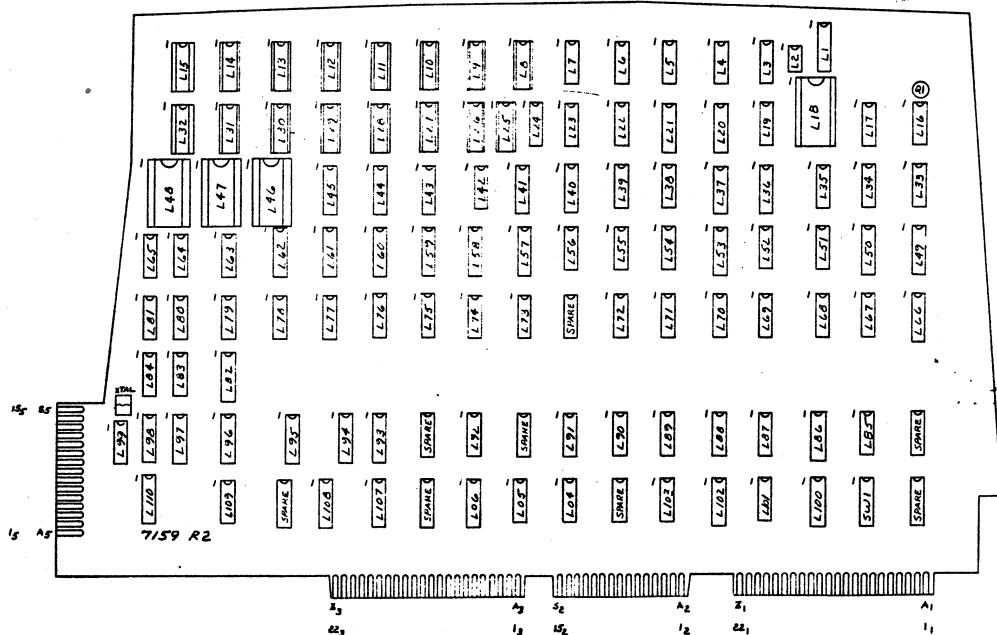
This document is the property of Wang Laboratories, Inc. and shall not be reproduced in any form without the written permission of Wang Laboratories, Inc.

HOLE LEGEND		
DRILLER OR FINISHED HOLE TOLERANCES	HOLE DIA.	TOL.
Ø.0015	.015	±.001
Ø.0025	.025	±.001
Ø.0050	.050	±.002
Ø.0100	.100	±.003

LOCATION	WVL. PT. NO.	VCC	GND
L1, 86, 86A	376-0104	16	B
L2	376-0126	8	1
L3, 83, 84, 85, 86	376-0002	14	7
L4	376-0184	14	7
L5	376-0199	14	7
L6, 73, 74, 75, 80, 81	376-0001	14	7
L8-15, 25-32	377-0069	10	9
L16, 71, 72, 73, 74, 75, 76, 77, 78, 79, 80, 81, 82, 83, 84, 85, 86, 87, 88, 89, 90, 91, 92, 93, 94, 95, 96, 97, 98, 99, 100	376-0006	14	7
L18	376-0090	24	12
L19, 35	376-0004	14	7
L20, 46, 47, 48, 49, 50, 51, 52, 53, 54, 55, 56, 57, 58, 59, 60, 61, 62, 63, 64, 65, 66, 67, 68, 69, 70, 71, 72, 73, 74, 75, 76, 77, 78, 79, 80, 81, 82, 83, 84, 85, 86, 87, 88, 89, 90, 91, 92, 93, 94, 95, 96, 97, 98, 99, 100	376-0119	16	B
L22, 76	376-0003	14	7
L23, 54, 55, 56	376-0010	14	7
L24	376-0202	14	7
L100	376-0069	16	B
L30	376-0190	16	B
L37, 49, 52	376-0053	16	B
L38, 39, 42	376-0148	14	7
L40	376-0008	16	B
L41, 96, 97, 98	376-0174	16	B
L43	376-0105	16	B
L46-48	377-2317	24	12
L50, 56, 10	376-0120	16	B
L57, 70, 103	376-0214	14	7
L58, 48, 85, 92	376-0233	14	7
L57-59, 64	376-0282	16	B
L62	376-0162	16	B
L64, 65	376-0055	14	7
L75, 67, 73, 74	376-0011	5	10
L76, 61, 62	376-0171	16	B
L78, 63	376-0028	14	7
L84	376-0197	14	7
L88	376-0125	14	7
L90, 104	376-0056	14	7
L102	376-0098	16	B
L109	376-0031	14	7
L108	376-9003		

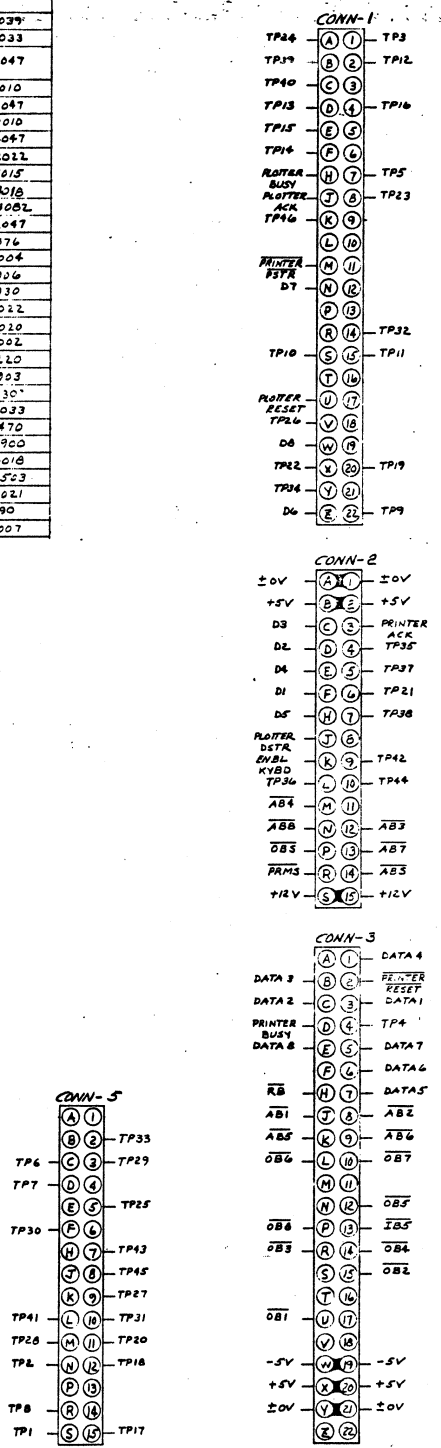
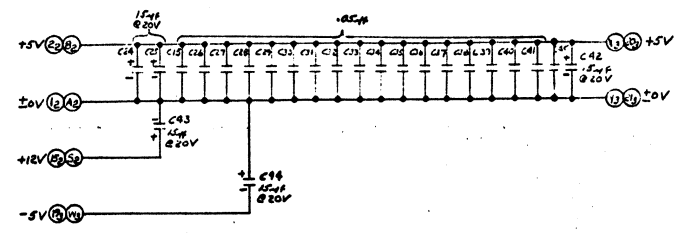
SPARES		
LOCATION	TYPE	SPARE
L3	7400	1
L99	7400	3
L57	7402	1
L103	7402	3
L89	7403	1
L83	7404	1
L81	7404	2
L90	7404	3
L64	7406	3
L64	7406	1
L65	7406	5
L91	7407	1
L104	7407	2
L72	7408	1
L79	7408	1
L101	7408	1
L22	7410	1
L65	7432	2
L92	7432	1
L24	74374	1

VARIATION CHART			
MODEL	P.C. BOARD	L98	
210-7159-18 DATA KANA	209-7159-1	378-2044	
210-7159-10 CYRILLIC	209-7159-1	378-2024	



COMPONENT	WVL. PART NO.
F1-4, 7, 10-2, 4, 9, 33, 46, 48, 51-56, 58, 59	350-3022
R5, 17, 18	330-2039
R6, 8, 57, 60	330-4033
R9, 11, 16, 18, 19, 15, 24, 25, 26, 28, 30, 31, 32, 35, 36	330-3047
R3, 20, 49, 21	330-3010
R22, 23, 40	330-2047
R27	330-2010
R36	330-4047
R37, 38, 39, 42	330-2022
R41	331-1015
R47	330-4018
R50	330-3082
R45	331-2047
R49, 45	331-1076
C1, 2, 3, 20, 23	300-5004
C4, 5, 6, 21, 22	300-1906
C7	300-1930
C8, 24, 25, 42-44, 9	300-4022
C10	300-4020
C11	300-4002
C12, 13	300-1220
C14, 17	300-1903
C15	300-1330
C16	300-2033
C19	300-1470
C20-41, 45	300-1900
X7AL	321-0018
JW1	325-1503
Q1	375-1021
C46	300-1390
C18	300-5007

JUMPER CHART		
COMMON	SO N B	GO N E
0	0	0



WANG PART NO.	ITEM	QTY	NAME	MATERIAL	DESCRIPTION
210-7159-18	PC BOARD	1	L98		
210-7159-10	CYRILLIC	1	378-2024		

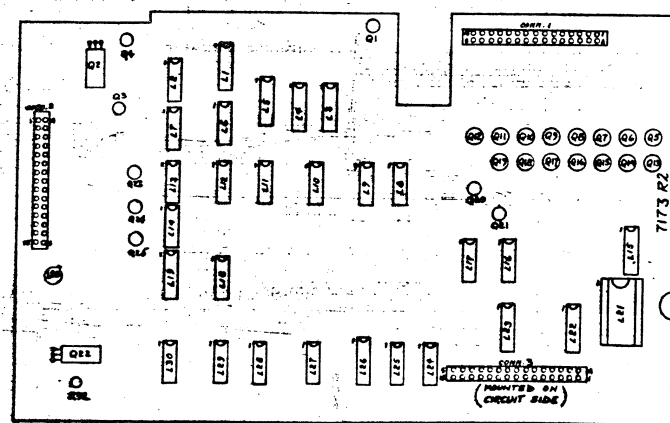
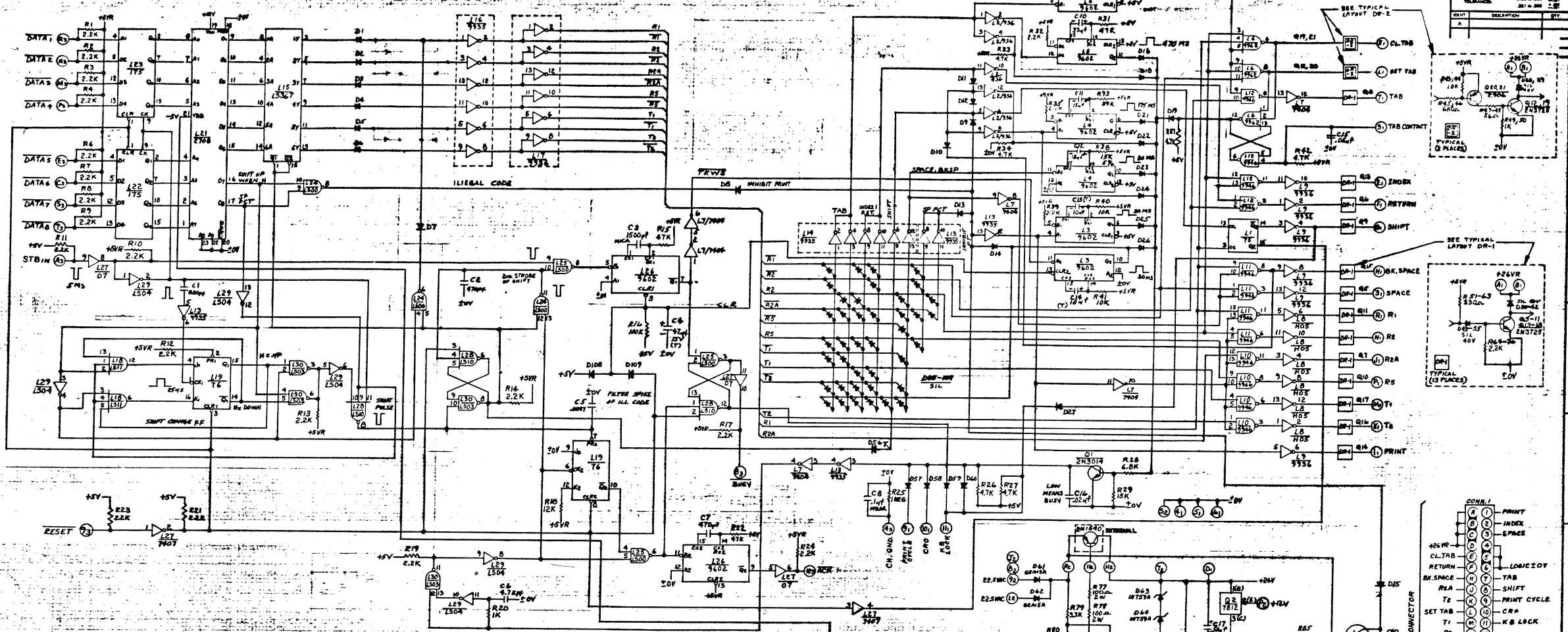
DATE	BY	DATE	APPROVED BY	DATE

MODEL NO.	DESCRIPTION
210-7159	DATA KANA
210-7159	CYRILLIC

SCALE	SHEET	TOTAL SHEETS
1/8" = 1"	1	1

SEE SHEET 4

THIS DOCUMENT IS THE PROPERTY OF WANG LABORATORIES, INC. AND SHALL NOT BE REPRODUCED OR TRANSMITTED IN ANY FORM OR BY ANY MEANS, ELECTRONIC OR MECHANICAL, INCLUDING PHOTOCOPYING, RECORDING, OR BY ANY INFORMATION STORAGE AND RETRIEVAL SYSTEM, WITHOUT THE WRITTEN PERMISSION OF WANG LABORATORIES, INC.



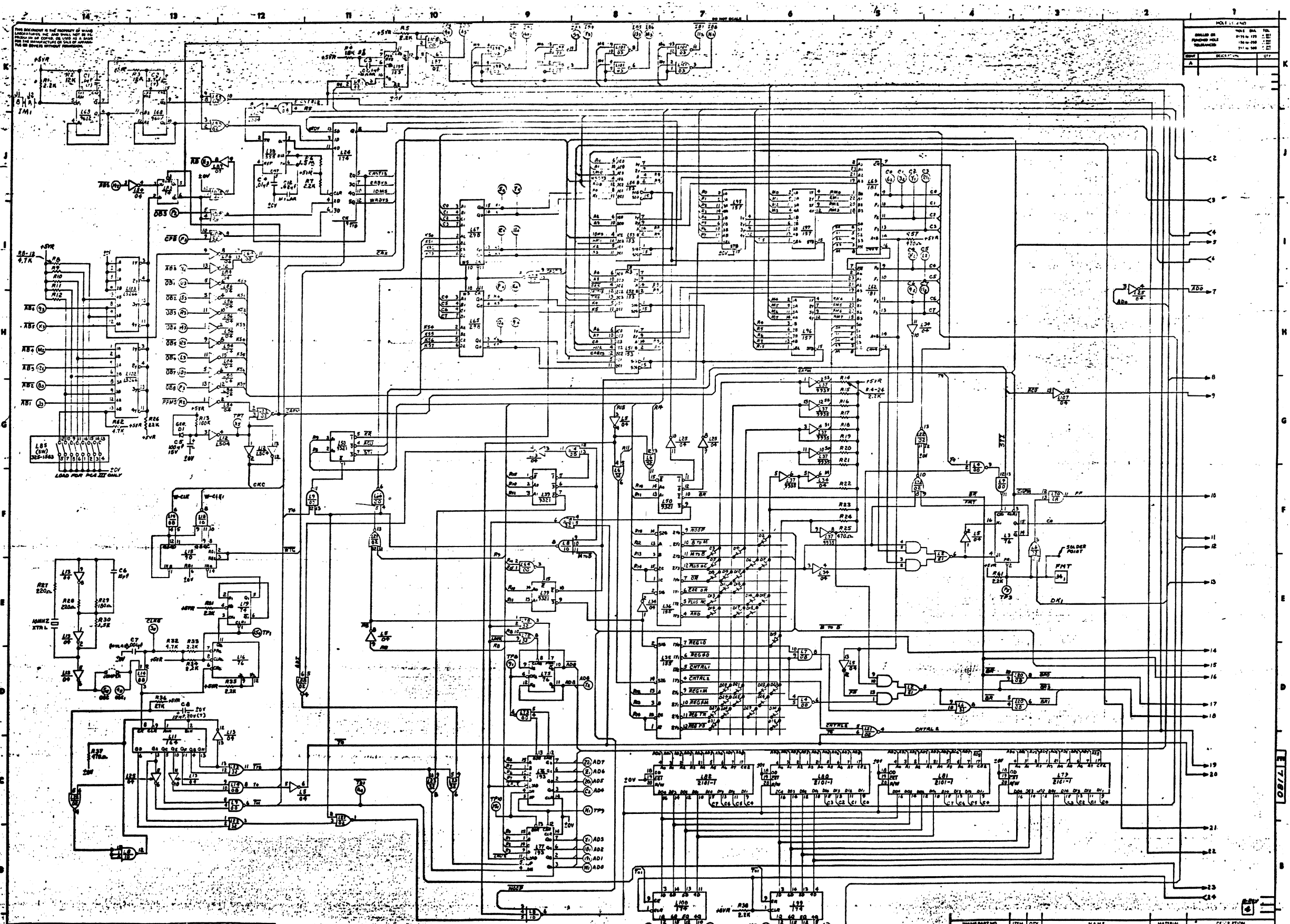
COMPONENTS	W.L. PART NO.
R1-4, 6-10, 12, 13, 15, 16, 18, 20, 21, 22, 23, 24, 25, 26, 27, 28, 29, 30, 31, 32, 33, 34, 35, 36, 37, 38, 39, 40, 41, 42, 43, 44, 45, 46, 47, 48, 49, 50, 51, 52, 53, 54, 55, 56, 57, 58, 59, 60, 61, 62, 63, 64, 65, 66, 67, 68, 69, 70, 71, 72, 73, 74, 75, 76, 77, 78, 79, 80, 81, 82, 83, 84, 85, 86, 87, 88, 89, 90, 91, 92, 93, 94, 95, 96, 97, 98, 99, 100, 101, 102, 103, 104, 105, 106, 107, 108, 109, 110, 111, 112, 113, 114, 115, 116, 117, 118, 119, 120, 121, 122, 123, 124, 125, 126, 127, 128, 129, 130, 131, 132, 133, 134, 135, 136, 137, 138, 139, 140, 141, 142, 143, 144, 145, 146, 147, 148, 149, 150, 151, 152, 153, 154, 155, 156, 157, 158, 159, 160, 161, 162, 163, 164, 165, 166, 167, 168, 169, 170, 171, 172, 173, 174, 175, 176, 177, 178, 179, 180, 181, 182, 183, 184, 185, 186, 187, 188, 189, 190, 191, 192, 193, 194, 195, 196, 197, 198, 199, 200, 201, 202, 203, 204, 205, 206, 207, 208, 209, 210, 211, 212, 213, 214, 215, 216, 217, 218, 219, 220, 221, 222, 223, 224, 225, 226, 227, 228, 229, 230, 231, 232, 233, 234, 235, 236, 237, 238, 239, 240, 241, 242, 243, 244, 245, 246, 247, 248, 249, 250, 251, 252, 253, 254, 255, 256, 257, 258, 259, 260, 261, 262, 263, 264, 265, 266, 267, 268, 269, 270, 271, 272, 273, 274, 275, 276, 277, 278, 279, 280, 281, 282, 283, 284, 285, 286, 287, 288, 289, 290, 291, 292, 293, 294, 295, 296, 297, 298, 299, 300, 301, 302, 303, 304, 305, 306, 307, 308, 309, 310, 311, 312, 313, 314, 315, 316, 317, 318, 319, 320, 321, 322, 323, 324, 325, 326, 327, 328, 329, 330, 331, 332, 333, 334, 335, 336, 337, 338, 339, 340, 341, 342, 343, 344, 345, 346, 347, 348, 349, 350, 351, 352, 353, 354, 355, 356, 357, 358, 359, 360, 361, 362, 363, 364, 365, 366, 367, 368, 369, 370, 371, 372, 373, 374, 375, 376, 377, 378, 379, 380, 381, 382, 383, 384, 385, 386, 387, 388, 389, 390, 391, 392, 393, 394, 395, 396, 397, 398, 399, 400, 401, 402, 403, 404, 405, 406, 407, 408, 409, 410, 411, 412, 413, 414, 415, 416, 417, 418, 419, 420, 421, 422, 423, 424, 425, 426, 427, 428, 429, 430, 431, 432, 433, 434, 435, 436, 437, 438, 439, 440, 441, 442, 443, 444, 445, 446, 447, 448, 449, 450, 451, 452, 453, 454, 455, 456, 457, 458, 459, 460, 461, 462, 463, 464, 465, 466, 467, 468, 469, 470, 471, 472, 473, 474, 475, 476, 477, 478, 479, 480, 481, 482, 483, 484, 485, 486, 487, 488, 489, 490, 491, 492, 493, 494, 495, 496, 497, 498, 499, 500, 501, 502, 503, 504, 505, 506, 507, 508, 509, 510, 511, 512, 513, 514, 515, 516, 517, 518, 519, 520, 521, 522, 523, 524, 525, 526, 527, 528, 529, 530, 531, 532, 533, 534, 535, 536, 537, 538, 539, 540, 541, 542, 543, 544, 545, 546, 547, 548, 549, 550, 551, 552, 553, 554, 555, 556, 557, 558, 559, 560, 561, 562, 563, 564, 565, 566, 567, 568, 569, 570, 571, 572, 573, 574, 575, 576, 577, 578, 579, 580, 581, 582, 583, 584, 585, 586, 587, 588, 589, 590, 591, 592, 593, 594, 595, 596, 597, 598, 599, 600, 601, 602, 603, 604, 605, 606, 607, 608, 609, 610, 611, 612, 613, 614, 615, 616, 617, 618, 619, 620, 621, 622, 623, 624, 625, 626, 627, 628, 629, 630, 631, 632, 633, 634, 635, 636, 637, 638, 639, 640, 641, 642, 643, 644, 645, 646, 647, 648, 649, 650, 651, 652, 653, 654, 655, 656, 657, 658, 659, 660, 661, 662, 663, 664, 665, 666, 667, 668, 669, 670, 671, 672, 673, 674, 675, 676, 677, 678, 679, 680, 681, 682, 683, 684, 685, 686, 687, 688, 689, 690, 691, 692, 693, 694, 695, 696, 697, 698, 699, 700, 701, 702, 703, 704, 705, 706, 707, 708, 709, 710, 711, 712, 713, 714, 715, 716, 717, 718, 719, 720, 721, 722, 723, 724, 725, 726, 727, 728, 729, 730, 731, 732, 733, 734, 735, 736, 737, 738, 739, 740, 741, 742, 743, 744, 745, 746, 747, 748, 749, 750, 751, 752, 753, 754, 755, 756, 757, 758, 759, 760, 761, 762, 763, 764, 765, 766, 767, 768, 769, 770, 771, 772, 773, 774, 775, 776, 777, 778, 779, 780, 781, 782, 783, 784, 785, 786, 787, 788, 789, 790, 791, 792, 793, 794, 795, 796, 797, 798, 799, 800, 801, 802, 803, 804, 805, 806, 807, 808, 809, 810, 811, 812, 813, 814, 815, 816, 817, 818, 819, 820, 821, 822, 823, 824, 825, 826, 827, 828, 829, 830, 831, 832, 833, 834, 835, 836, 837, 838, 839, 840, 841, 842, 843, 844, 845, 846, 847, 848, 849, 850, 851, 852, 853, 854, 855, 856, 857, 858, 859, 860, 861, 862, 863, 864, 865, 866, 867, 868, 869, 870, 871, 872, 873, 874, 875, 876, 877, 878, 879, 880, 881, 882, 883, 884, 885, 886, 887, 888, 889, 890, 891, 892, 893, 894, 895, 896, 897, 898, 899, 900, 901, 902, 903, 904, 905, 906, 907, 908, 909, 910, 911, 912, 913, 914, 915, 916, 917, 918, 919, 920, 921, 922, 923, 924, 925, 926, 927, 928, 929, 930, 931, 932, 933, 934, 935, 936, 937, 938, 939, 940, 941, 942, 943, 944, 945, 946, 947, 948, 949, 950, 951, 952, 953, 954, 955, 956, 957, 958, 959, 960, 961, 962, 963, 964, 965, 966, 967, 968, 969, 970, 971, 972, 973, 974, 975, 976, 977, 978, 979, 980, 981, 982, 983, 984, 985, 986, 987, 988, 989, 990, 991, 992, 993, 994, 995, 996, 997, 998, 999, 1000	

LOCATION	TYPE	SPARES
L1	7475	2
L13	935	1
L24	74LS00	1
L18	74LS11	1
L15	74LS00	1
L27	7407	1

LOCATION	W.L. PART NO.	END	VCC
L1	376-0013	12	5
L2, 9, 17	376-0026	7	16
L3, 4, 5, 26	376-0104	8	16
L8	376-0039	7	16
L10, 11, 12	376-0023	7	16
L13, 14, 16	376-0025	7	16
L18	376-0225	7	16
L19	376-0007	13	8
L20	376-0066	5	-
L21	378-0180 R1	12	84
L22, 23	376-0119	8	16
L24, 25	376-0207	7	16
L27	376-0056	7	16
L28	376-0209	7	16
L29	376-0180	7	16
L30	376-0224	7	16
L15	376-0192	8	16
L7	376-0018	7	16
L9	376-0034	7	16

REVISION	DESCRIPTION	DATE	BY
1	ORIGINAL DRAWING		
2	REVISED TO ADD...		
3	REVISED TO ADD...		
4	REVISED TO ADD...		
5	REVISED TO ADD...		
6	REVISED TO ADD...		
7	REVISED TO ADD...		
8	REVISED TO ADD...		
9	REVISED TO ADD...		
10	REVISED TO ADD...		
11	REVISED TO ADD...		
12	REVISED TO ADD...		
13	REVISED TO ADD...		
14	REVISED TO ADD...		

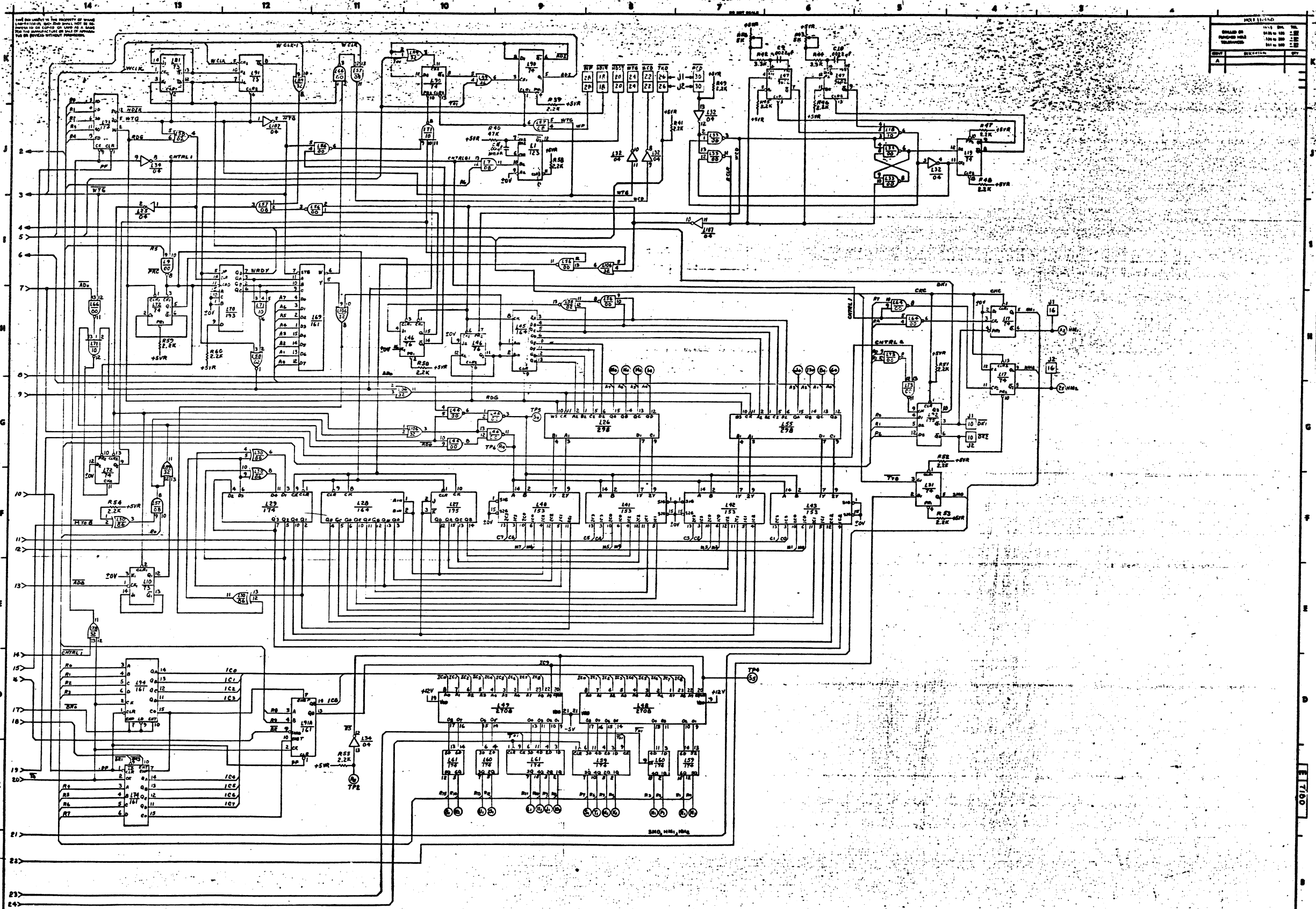
W.L. PART NO.	DESCRIPTION	QTY
380-1861
380-2017
380-3008
380-2120
380-1820
380-1006
380-4039
380-1832
380-4039
380-4076
380-1861
380-2017
380-3008
380-2120
380-1820
380-1006
380-4039
380-1832
380-4039
380-4076
380-1861
380-2017
380-3008
380-2120
380-1820
380-1006
380-4039
380-1832
380-4039
380-4076
380-1861
380-2017
380-3008
380-2120
380-1820
380-1006
380-4039
380-1832
380-4039
380-4076
380-1861
380-2017
380-3008
380-2120
380-1820
380-1006
380-4039
380-1832
380-4039
380-4076
380-1861
380-2017
380-3008
380-2120
380-1820
380-1006
380-4039
380-1832
380-4039
380-4076
380-1861
380-2017
380-3008
380-2120
380-1820
380-1006
380-4039
380-1832
380-4039
380-4076
380-1861
380-2017
380-3008
380-2120
380-1820
380-1006
380-4039
380-1832
380-4039
380-4076
380-1861
380-2017
380-3008
380-2120
380-1820
380-1006
380-4039
380-1832
380-4039
380-4076
380-1861
380-2017
380-3008
380-2120
380-1820
380-1006
380-4039
380-1832
380-4039
380-4076
380-1861
380-2017
380-3008
380-2120
380-1820
380-1006
380-4039
380-1832
380-4039
380-4076
380-1861
380-2017
380-3008
380-2120
380-1820
380-1006
380-4039
380-1832
380-4039
380-4076
380-1861
380-2017
380-3008
380-2120
380-1820
380-1006
380-4039
380-1832
380-4039
380-4076
380-1861
380-2017
380-3008
380-2120
380-1820
380-1006
380-4039
380-1832
380-4039
380-4076
380-1861
380-2017
380-3008
380-2120
380-1820
380-1006
380-4039
380-1832
380-4039
380-4076
380-1861
380-2017
380-3008
380-2120
380-1820
380-1006
380-4039
380-1832
380-4039
380-4076
380-1861
380-2017
380-3008
380-2120
380-1820
380-1006
380-4039
380-1832
380-4039
380-4076
380-1861
380-2017
380-3008
380-2120
380-1820
380-1006
380-4039
380-1832
380-4039
380-4076
380-1861
380-2017
380-3008
380-2120
380-1820
380-1006
380-4039
380-1832
380-4039
380-4076
380-1861
380-2017
380-3008
380-2120
380-1820	...	



THIS DOCUMENT IS THE PROPERTY OF WANG LABORATORIES, INC. IT IS TO BE USED ONLY AS A GUIDE FOR THE REPRODUCTION OF THE ORIGINAL DOCUMENT. IT IS NOT TO BE REPRODUCED OR TRANSMITTED IN ANY FORM OR BY ANY MEANS WITHOUT PERMISSION.

ITEM	QTY	DESCRIPTION
1	1	8080 MICROPROCESSOR
2	1	8255 PPI
3	1	8250 FDC
4	1	8254 PIT
5	1	8255 PPI
6	1	8250 FDC
7	1	8254 PIT
8	1	8255 PPI
9	1	8250 FDC
10	1	8254 PIT
11	1	8255 PPI
12	1	8250 FDC
13	1	8254 PIT
14	1	8255 PPI
15	1	8250 FDC
16	1	8254 PIT
17	1	8255 PPI
18	1	8250 FDC
19	1	8254 PIT
20	1	8255 PPI
21	1	8250 FDC
22	1	8254 PIT
23	1	8255 PPI
24	1	8250 FDC
25	1	8254 PIT
26	1	8255 PPI
27	1	8250 FDC
28	1	8254 PIT
29	1	8255 PPI
30	1	8250 FDC
31	1	8254 PIT
32	1	8255 PPI
33	1	8250 FDC
34	1	8254 PIT
35	1	8255 PPI
36	1	8250 FDC
37	1	8254 PIT
38	1	8255 PPI
39	1	8250 FDC
40	1	8254 PIT
41	1	8255 PPI
42	1	8250 FDC
43	1	8254 PIT
44	1	8255 PPI
45	1	8250 FDC
46	1	8254 PIT
47	1	8255 PPI
48	1	8250 FDC
49	1	8254 PIT
50	1	8255 PPI

WANG PART NO.	ITEM	QTY	NAME	MATERIAL	DATE	BY	DATE	BY
			WANG					
			MODEL NO. PCU-2					
			TITLE MINI DISK CONTROL					
			DATE 2/10/70					
			BY E 7180					



DESIGNED BY	DATE
DRAWN BY	DATE
CHECKED BY	DATE
APPROVED BY	DATE

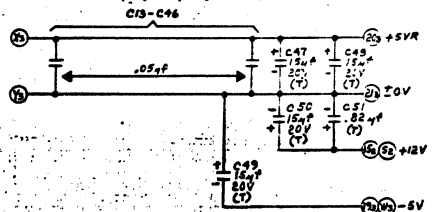
WANG PART NO.	ITEM	QTY	NAME	MATERIAL	DESCRIPTION												
PC5-2			MINI DISK CONTROL														
<table border="1"> <tr> <td>OWN</td> <td>DATE</td> <td>APPROVED BY</td> <td>DATE</td> </tr> <tr> <td>CHK</td> <td>DATE</td> <td>ENGR</td> <td>DATE</td> </tr> <tr> <td>DES</td> <td>DATE</td> <td>ENGR</td> <td>DATE</td> </tr> </table>						OWN	DATE	APPROVED BY	DATE	CHK	DATE	ENGR	DATE	DES	DATE	ENGR	DATE
OWN	DATE	APPROVED BY	DATE														
CHK	DATE	ENGR	DATE														
DES	DATE	ENGR	DATE														
<table border="1"> <tr> <td>TITLE</td> <td>MINI DISK CONTROL</td> </tr> <tr> <td>SCALE</td> <td>210-7180 E 7180 R</td> </tr> </table>						TITLE	MINI DISK CONTROL	SCALE	210-7180 E 7180 R								
TITLE	MINI DISK CONTROL																
SCALE	210-7180 E 7180 R																

THE PROPERTY OF WANG
 MODEL NO. 210-7180
 SERIAL NO. 7180
 DATE 11/14/68

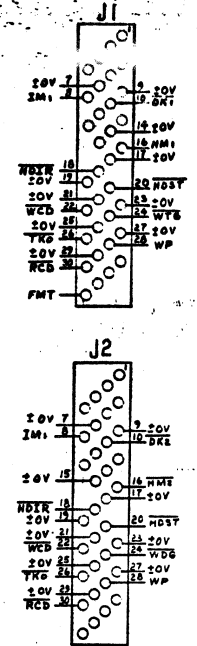
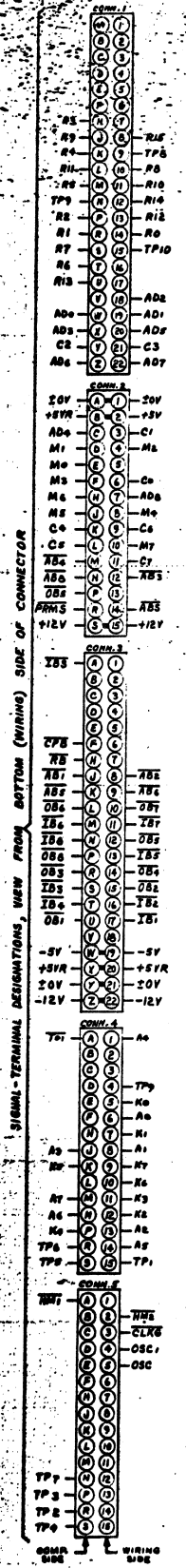
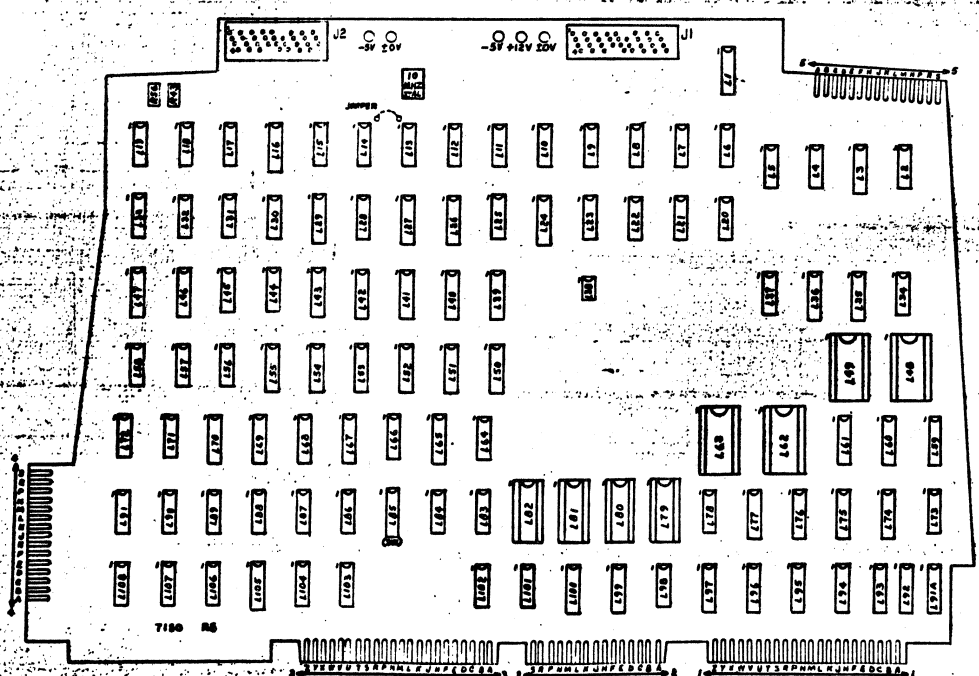
COMPONENT	W.L. PART NO.
R1, 7, 10, 24, 26	330-3022
R1, 33, 37, 38, 39	
R1, 45, 46, 47	
R1, 55, 56	
R2, 3	-4012
R36	-4027
R6	-6015
R8, 12, 32, 62	-3047
R13	-5010
R23, 37, 57	-2047
R27, 28	-2022
R27	-2018
R30	-3015
R40	330-4047
R43, 36	336-4037
R46, 44	336-3033
R4	330-4019
C1	300-4002
C2	-4016
C3, 7, 11	-2010
C4	-1903
C5	-3017
C6	-1010
C8, 47-50	-4022
C9, 10	-1908
C12	-2122
C13-16	300-1900
C51	300-4012
XTAL	321-0008
FORMER 3A 4MM5	220-1173
D1	380-0004B
D2-3E	385-10014B
L73-82	376-9010
L42, 63, 98, 97	376-9003
L85	385-1503

LOCATION	TYPE	SPARES
L1	74123	1
L3	7474	1
L6	7400	1
L8	7404	1
L7	7408	1
L10	7473	1
L12	74130A	2
L14	7476	1
L18	7410	1
L20	7408	1
L21	7402	1
L23	7474	1
L32	7404	2
L58	7402	1
L73	7400	1
L75	7474	1
L83	7474	1
L87	7407	4
L88	7408	1
L106	7432	1
L108	74123	1
L107	7404	3
L108	7400	3
L28	7404	1

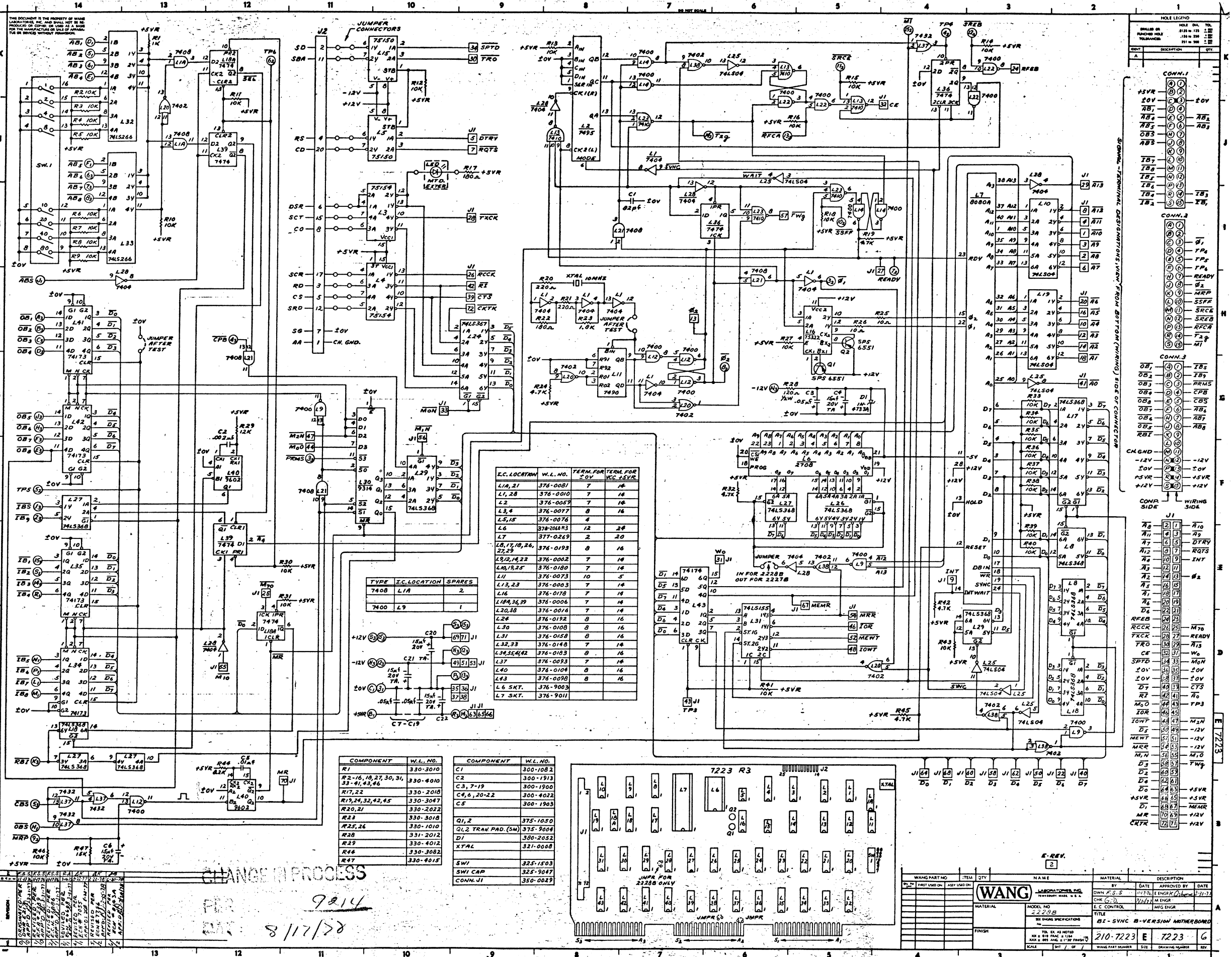
LOCATION	W.L. PART NO.	QTY	FINISH
L1, 105	376-0080	5	16
L2	-0012	1	14
L3, 16, 16, 78	-0007	13	5
L4, 5, 33, 44, 56, 64, 66, 73, 100	-0002	7	14
L5, 13, 22, 32, 34, 84, 86, 107	-0010	7	14
L6, 23, 70, 83, 104	-0073	7	14
L7, 14, 20, 57	-0081	7	14
L8, 18, 71	-0003	7	14
L10, 91	-0009	4	11
L11, 26, 42	-0102	7	14
L12	-0180	7	14
L15	-0073	10	5
L17, 18, 78, 83, 90	-0006	7	14
L21, 22, 28, 88	-0016	7	14
L24, 29, 30, 61, 93, 99, 100	-0078	8	16
L26, 25, 56, 67	-0138	8	16
L27	-0077	8	16
L30	-0034	7	14
L33, 36	-0049	8	16
L37	-0028	7	14
L38	-0124	1	8
L39, 50	-0074	8	16
L40-43, 51-54	376-0046	8	16
L47, 68	376-0104	8	16
L50, 49	SEE FROM CHART	12	24
L62, 63	376-0070	12	24
L69	-0047	8	16
L70, 76, 77	-0053	8	16
L74, 91A, 94	376-0074	8	16
L79, 80, 81, 82	377-0308	8	22
L87	376-0056	7	14
L92	-0119	8	16
L95, 96, 97	-0082	8	16
L98, 101	-0026	7	14
L102, 103	376-0148	7	14



FROM CHART
210-207-377 OF 378
MODEL L48 L49
PC2-2 376-007-03 376-2079-03



WANG PART NO.	ITEM QTY	NAME	MATERIAL	DESCRIPTION										
210-7180	1	MINI DISK CONTROL	PC2-2	MINI DISK CONTROL										
<table border="1"> <tr> <td>DATE</td> <td>BY</td> <td>DATE</td> <td>APPROVED BY</td> <td>DATE</td> </tr> <tr> <td>11/14/68</td> <td>W.C.</td> <td>11/14/68</td> <td>W.C.</td> <td></td> </tr> </table>					DATE	BY	DATE	APPROVED BY	DATE	11/14/68	W.C.	11/14/68	W.C.	
DATE	BY	DATE	APPROVED BY	DATE										
11/14/68	W.C.	11/14/68	W.C.											
<table border="1"> <tr> <td>MODEL NO.</td> <td>210-7180</td> <td>E</td> <td>7180</td> <td>/2</td> </tr> <tr> <td>TITLE</td> <td colspan="4">MINI DISK CONTROL</td> </tr> </table>					MODEL NO.	210-7180	E	7180	/2	TITLE	MINI DISK CONTROL			
MODEL NO.	210-7180	E	7180	/2										
TITLE	MINI DISK CONTROL													



THIS DOCUMENT IS THE PROPERTY OF WANG LABORATORIES, INC. AND SHALL NOT BE REPRODUCED OR COPIED IN ANY MANNER FOR THE MANUFACTURE OR SALE OF ANYTHING WITHOUT PERMISSION.

QTY	DESCRIPTION	QTY
1	CONN.1	1
1	CONN.2	1
1	CONN.3	1
1	CONN.4	1

LOC. LOCATION	W.L. NO.	TERM. FOR	TERM. FOR
L1A, 21	376-0081	7	14
L1, 28	376-0010	7	14
L2	376-0057	7	14
L3, 4	376-0077	8	16
L5, 15	376-0074	4	16
L6	376-0083	12	24
L7	377-0269	2	20
L8, 17, 18, 24, 27, 29	376-0193	8	16
L9, 12, 14, 22	376-0002	7	14
L10, 19, 25	376-0180	7	14
L11	376-0073	10	5
L13, 23	376-0003	7	14
L16	376-0178	7	14
L18A, 36, 39	376-0006	7	14
L20, 38	376-0014	7	14
L24	376-0192	8	16
L30	376-0108	8	16
L31	376-0158	8	16
L32, 33	376-0148	7	14
L34, 35, 41, 42	376-0183	8	16
L37	376-0093	7	14
L40	376-0104	8	16
L43	376-0098	8	16
L6 SKT.	376-9003		
L7 SKT.	376-9011		

TYPE	LOC. LOCATION	SPARES
7400	L1A	2
7400	L9	1

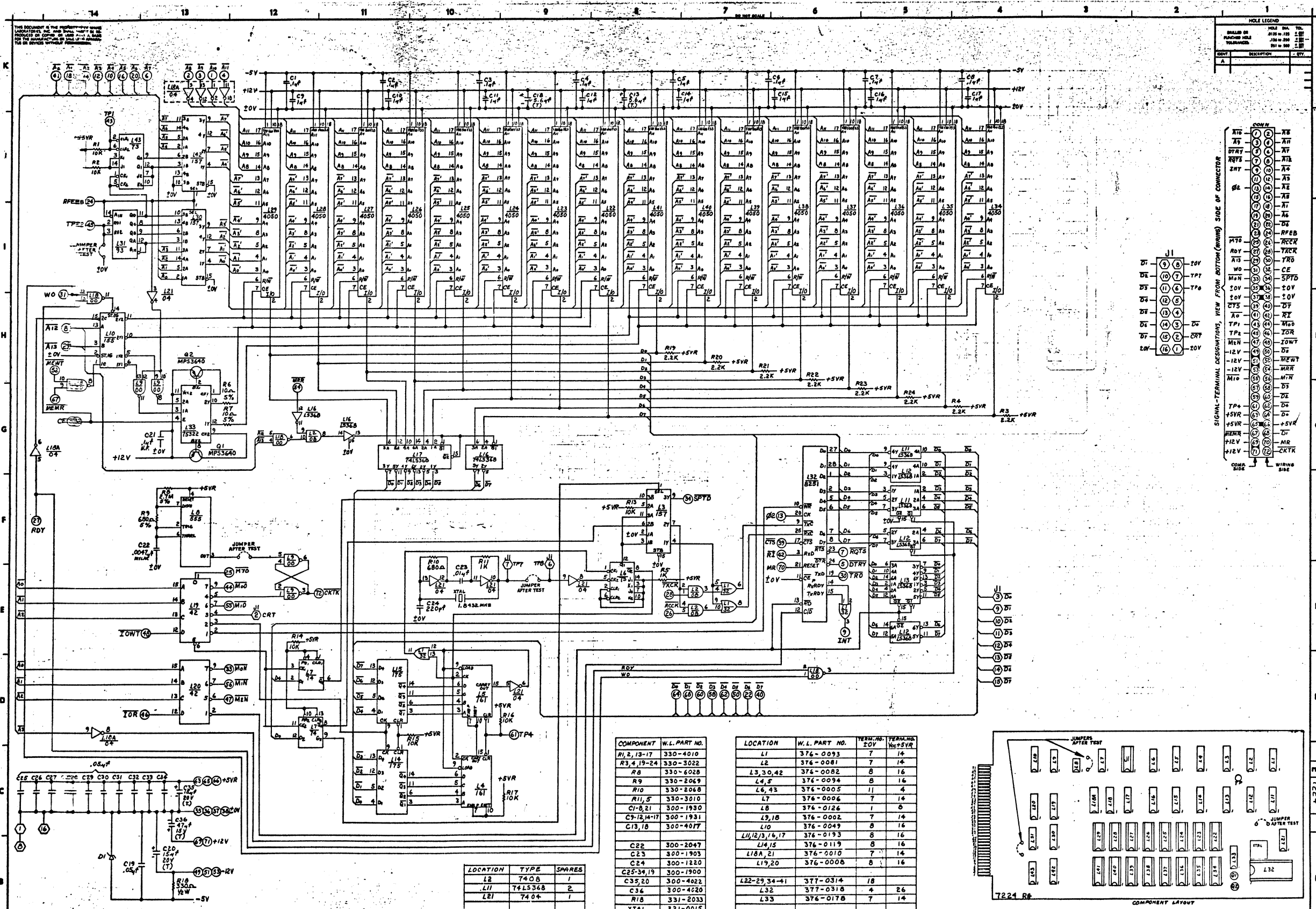
COMPONENT	W.L. NO.	COMPONENT	W.L. NO.
R1	330-3010	C1	300-1082
R2-16, 19, 27, 30, 31, 33-41, 43, 46	330-4010	C2	300-1913
R17, 22	330-2018	C3, 7-19	300-1900
R19, 24, 32, 42, 45	330-3047	C4, 6, 20-22	300-4022
R20, 21	330-2022	C5	300-1903
R22	330-3018	Q1, 2	375-1050
R25, 26	330-1010	Q1, 2 TRAN PAD. (SM)	375-9004
R28	331-2012	D1	380-2052
R29	330-4012	XTAL	321-0068
R44	330-3082	SW1	325-1503
R47	330-4015	SW1 CAP	325-9047
		CONN. J1	350-0029

CHANGE IN PROCESS
9814
8/17/78

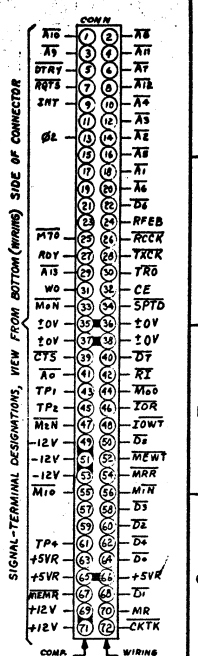
E-REV
2

WANG PART NO.	ITEM	CITY	NAME	MATERIAL	DESCRIPTION
210-7223	1	NEW YORK	WANG	PCB	B1-5VNC B-VERSION MOTHERBOARD

DATE: 8/17/78
APPROVED BY: [Signature]
TITLE: B1-5VNC B-VERSION MOTHERBOARD
WANG PART NO.: 210-7223
SIZE: E
DRAWING NUMBER: 7223-6

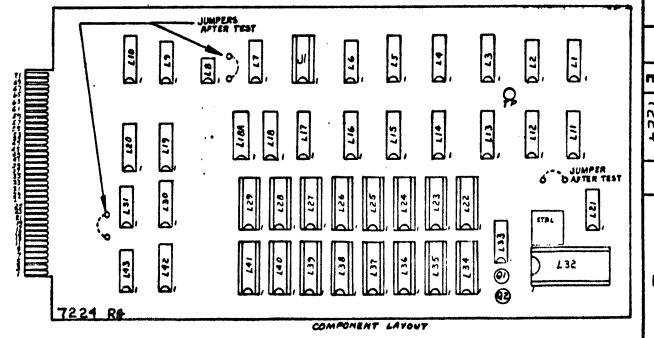


REV	DESCRIPTION	DATE
1		



COMPONENT	W.L. PART NO.	LOCATION	W.L. PART NO.	TERMS	TERMS
R1, 13-17	330-4010	L1	376-0093	7	14
R3, 4, 19-24	330-3022	L2	376-0081	7	14
R8	330-2028	L3, 30, 42	376-0082	8	16
R9	330-2049	L4, 5	376-0094	8	16
R10	330-2068	L6, 43	376-0005	11	4
R11, 5	330-3010	L7	376-0006	7	14
R18	330-1930	L8	376-0126	1	8
C9, 12, 14, 17	300-1931	L9, 18	376-0002	7	14
C13, 18	300-4017	L10	376-0049	8	16
C22	300-2047	L11, 12, 15, 17	376-0193	8	16
C23	300-1903	L14, 15	376-0119	8	16
C24	300-1220	L18A, 21	376-0010	7	14
C25, 34, 19	300-1900	L19, 20	376-0008	8	16
C35, 20	300-4022	L22-29, 34-41	377-0314	18	36
C36	300-4220	L32	377-0318	4	26
R18	331-2033	L33	376-0178	7	14
XTAL	375-1050	L22-29, 34-41	376-9014		
Q1, 2	380-2053	L31	376-0011	10	5
D1	376-9005	L32	376-9015		
J1	376-9005				
R6, 7	330-1011				

LOCATION	TYPE	SPARES
L2	740B	1
L11	74LS36B	2
L21	7404	1



1. ALL I.C. COMPONENTS ARE 7400 SERIES UNLESS OTHERWISE SPECIFIED.

REV	DESCRIPTION	DATE
1		

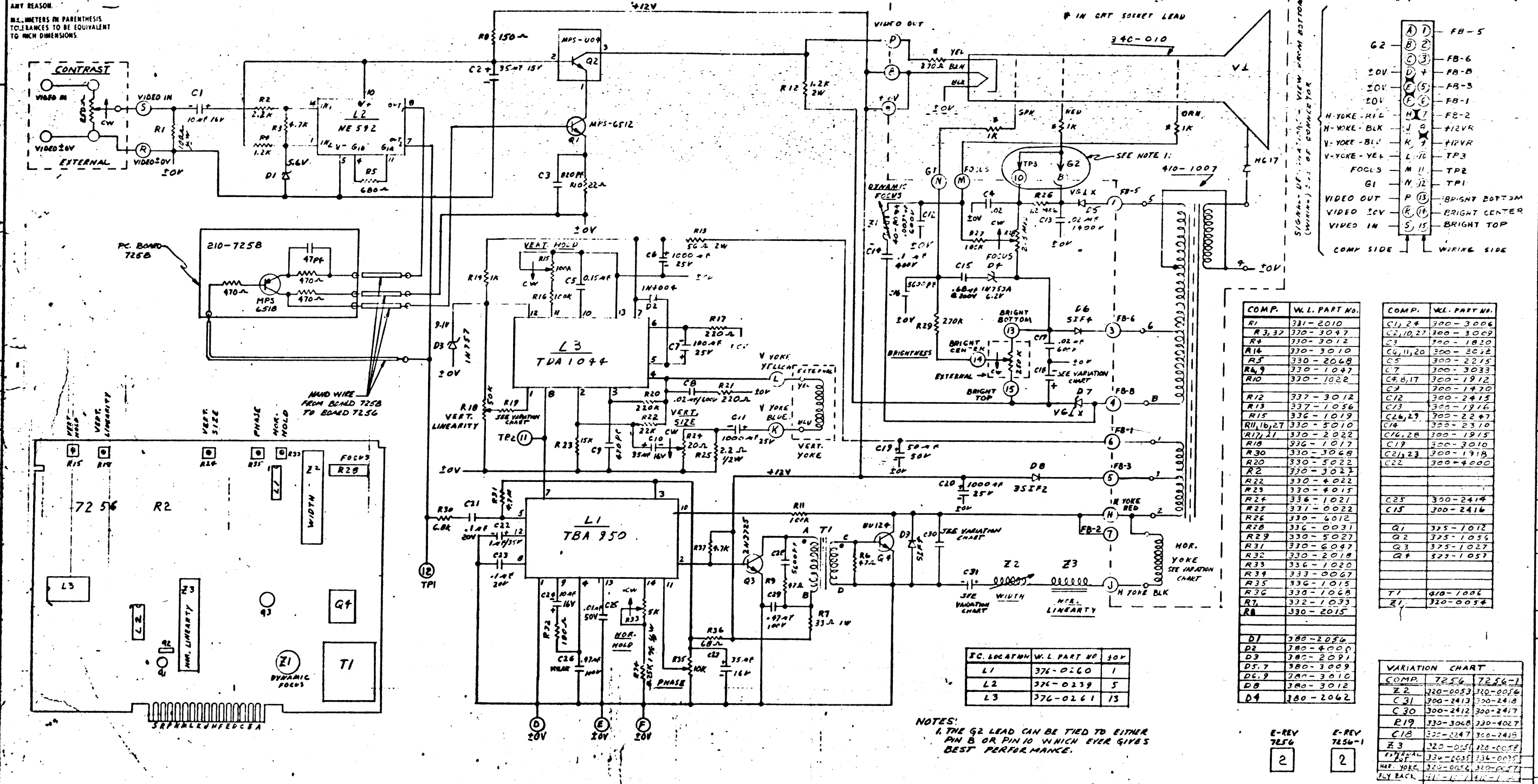
WANG PART NO.	ITEM	QTY	NAME	MATERIAL	DESCRIPTION	DATE

WANG LABORATORIES, INC.
 MODEL NO. 2228B
 TITLE: SCHEMATIC LOGIC BLOCK TRANSMITTER/RECEIVER MEMORY BOARD
 210-7224 E 7224 4

THE INFORMATION CONTAINED IN THIS DRAWING IS THE PROPERTY OF WANG LABORATORIES, INC. AND IS CONFIDENTIAL AND PROPRIETARY TO WANG LABORATORIES, INC. IT MAY NOT BE COPIED, REPRODUCED OR USED IN WHOLE OR IN PART FOR ANY REASON.

ALL DIMENSIONS IN PARENTHESES TO BE EQUIVALENT TO SUCH DIMENSIONS.

SYM	DESCRIPTION	QTY
813	RES	1
176	TRF	1
131	TRF	1



SYM	DESCRIPTION	QTY
A	FB-5	1
B	FB-6	1
C	FB-B	1
D	FB-3	1
E	FB-1	1
F	FB-2	1
G	+12V	1
H	+12V	1
I	+12V	1
J	TP3	1
K	TP2	1
L	TP1	1
M	BRIGHT BOTTOM	1
N	BRIGHT CENTER	1
O	BRIGHT TOP	1

COMP.	W.L. PART NO.	QTY
R1	331-2010	1
R3,32	330-3097	1
R4	330-3012	1
R16	330-3010	1
R5	330-2068	1
R6,9	330-1047	1
R10	330-1022	1
R12	337-3012	1
R13	337-1056	1
R15	336-1019	1
R17,16,27	330-5010	1
R17,21	330-2022	1
R18	336-1017	1
R30	330-3068	1
R20	330-5022	1
R2	330-3027	1
R22	330-4022	1
R23	330-4015	1
R24	336-1021	1
R25	337-0022	1
R26	330-6012	1
R28	336-0031	1
R29	330-5027	1
R31	330-6047	1
R32	330-2018	1
R33	336-1020	1
R34	333-0067	1
R35	336-1015	1
R36	330-1068	1
R7	332-1033	1
R8	330-2015	1
D1	330-2056	1
D2	330-4000	1
D3	330-2091	1
DS,7	330-3009	1
DC,9	330-3010	1
DB	330-3012	1
D4	330-2062	1

COMP.	W.L. PART NO.	QTY
C11,24	300-3006	1
C2,10,27	300-3009	1
C3	300-1820	1
C6,11,20	300-3012	1
C5	300-2215	1
C7	300-3033	1
C4,8,17	300-1912	1
C9	300-1920	1
C12	300-2415	1
C13	300-1916	1
C26,29	300-2247	1
C14	300-2310	1
C16,28	300-1915	1
C19	300-3010	1
C21,23	300-1918	1
C22	300-4000	1
C25	300-2414	1
C15	300-2416	1
Q1	335-1012	1
Q2	335-1055	1
Q3	335-1027	1
Q4	333-1057	1
T1	410-1006	1
Z1	330-0054	1

COMP.	7256	7256-1
Z2	320-0053	320-0056
C31	300-2413	300-2418
C30	300-2412	300-2417
E19	330-3068	330-4027
C18	330-2247	330-2418
Z3	320-0051	320-0058
TP3	330-0031	330-0032
HOR. YOKE	320-0056	320-0057
FLY BACK	310-1017	310-1018

LOC.	W.L. PART NO.	30V
L1	376-0260	1
L2	376-0239	5
L3	376-0261	13

NOTES:
1. THE G2 LEAD CAN BE TIED TO EITHER PIN B OR PIN 10 WHICH EVER GIVES BEST PERFORMANCE.

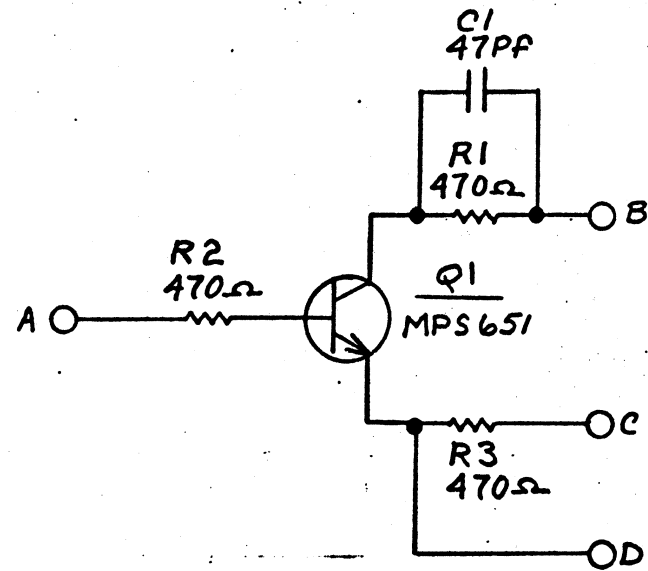
REVISION	DATE	BY	DESCRIPTION
1	12-11-77
2
3
4
5
6
7
8
9

QTY	ITEM	WANG PART NO.	DRAWING NO.	DESCRIPTION
1	WANG	LABORATORIES, INC.	7256	WANG MONITOR
1	WANG	LABORATORIES, INC.	7256-1	ELECTRONICS FOR 9" AND 12" MONITOR

BY	DATE	APPROVED BY	DATE
...

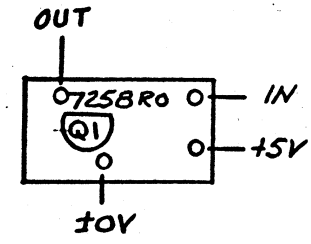
SCALE	SHT	OF	TITLE
...

DO NOT SCALE



COMP	W.L. PT. NO.
R1,2,3	330-2047
C1	300-1047
Q1	375-1014

HOLE LEGEND		
	HOLE DIA.	TOL.
DRILLED OR PUNCHED HOLE	.0135 to .125	+.003 -.001
TOLERANCES:	.126 to .250	+.004 -.001
	.251 to .500	+.005 -.001
IDENT.	DESCRIPTION	QTY.
A		



E. REV
1

B
7258

NO.	REVISION	BY	DATE
0	ORIGINATED PER DWR # E 370	EBA	7-20-77
1	REVISED PER ECN # 7378 APP'D: 9-30-77	AK	7-8-77

WANG PART NO.	ITEM	QTY.	NAME	MATERIAL	DESCRIPTION
			WANG LABORATORIES, INC. TEWKSBURY, MASS. U. S. A.		
			MATERIAL	MODEL NO. WANG MONITOR	
				SEE ENGRG SPECIFICATIONS No. _____	
			FINISH	TOL. EX. AS NOTED .XX ± .010 FRAC. ± 1/64 .XXX ± .005 ANG. ± 1°30' FINISH 128	
			SCALE 2:1	SHT 1 OF 1	
			WANG PART NUMBER	210-7258	
			SIZE	B	
			DRAWING NUMBER	7258	
			REV.	1	

D
C
B
A

D
B
B
A

6 5 4 3 2 1

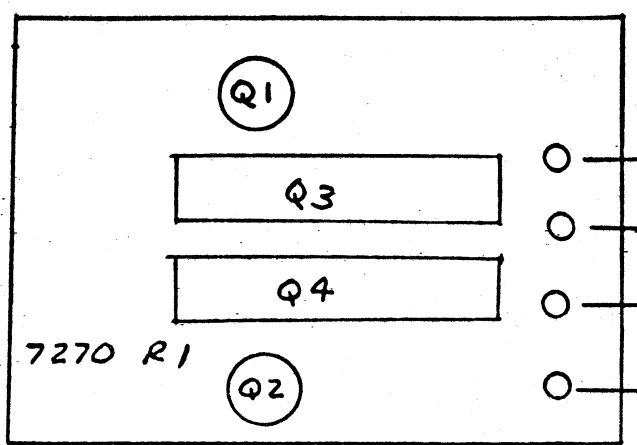
6 5 4 3 2 1

6 5 4 3 2 1

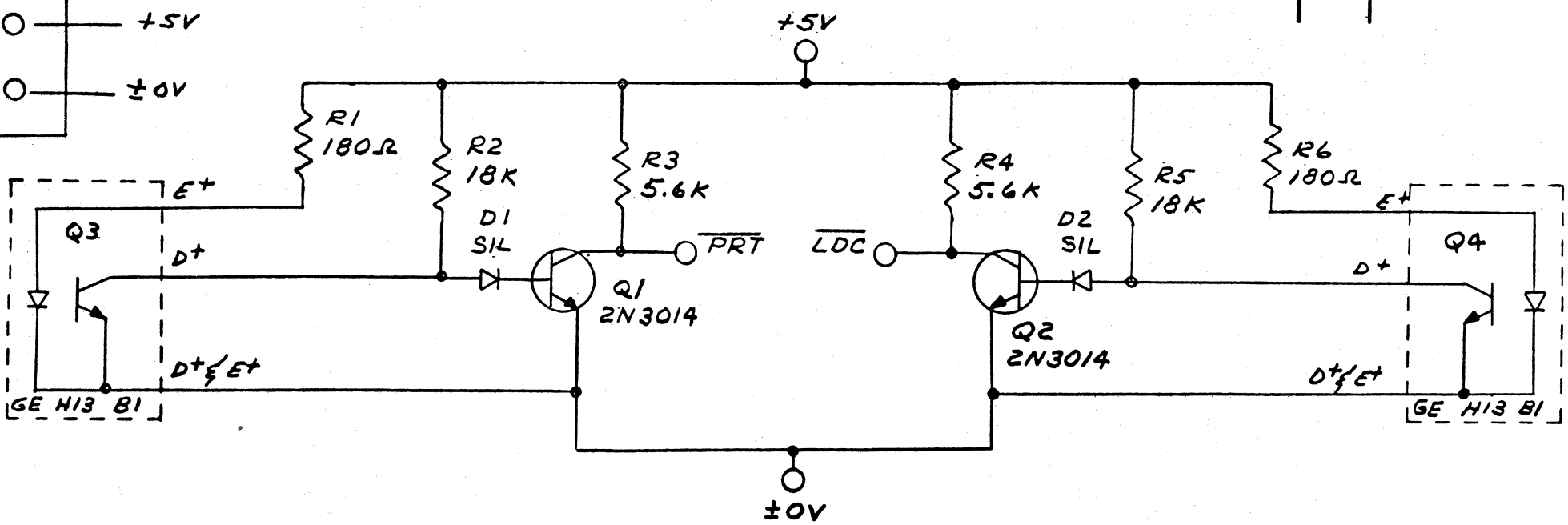
DO NOT SCALE

HOLE LEGEND		
DRILLED OR PUNCHED HOLE	HOLE DIA.	TOL.
	.0135 to .125	+ .003 - .001
	.126 to .250	+ .004 - .001
	.251 to .500	+ .005 - .001

IDENT.	DESCRIPTION	QTY.
A		



COMPONENTS LIST	
D1,2	380-1001
Q1, Q2	375-0017
Q3, 4	375-2103
R1, 6	330-2018
R2, 5	330-4018
R3, 4	330-3056



JAN 08 1979

E REV
0

BY	EBA
DATE	11-12-76
REVISION	DWE # E247 APP'D SKHD 11/22/76
NO.	0

WANG PART NO.	ITEM	QTY.	NAME	MATERIAL	DESCRIPTION
			WANG LABORATORIES, INC. TEWKSBURY, MASS. U. S. A.		
			MATERIAL	MODEL NO. 2271	
				SEE ENGRG SPECIFICATIONS No. _____	
			FINISH	TOL. EX. AS NOTED .XX ± .010 FRAC. ± 1/64 .XXX ± .005 ANG. ± 1°30' FINISH	
			SCALE 1/2	SHT 4 OF 5	
			210-7270	B	7270
			WANG PART NUMBER	SIZE	DRAWING NUMBER
					REV. 0

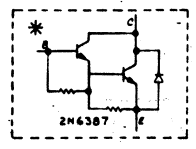
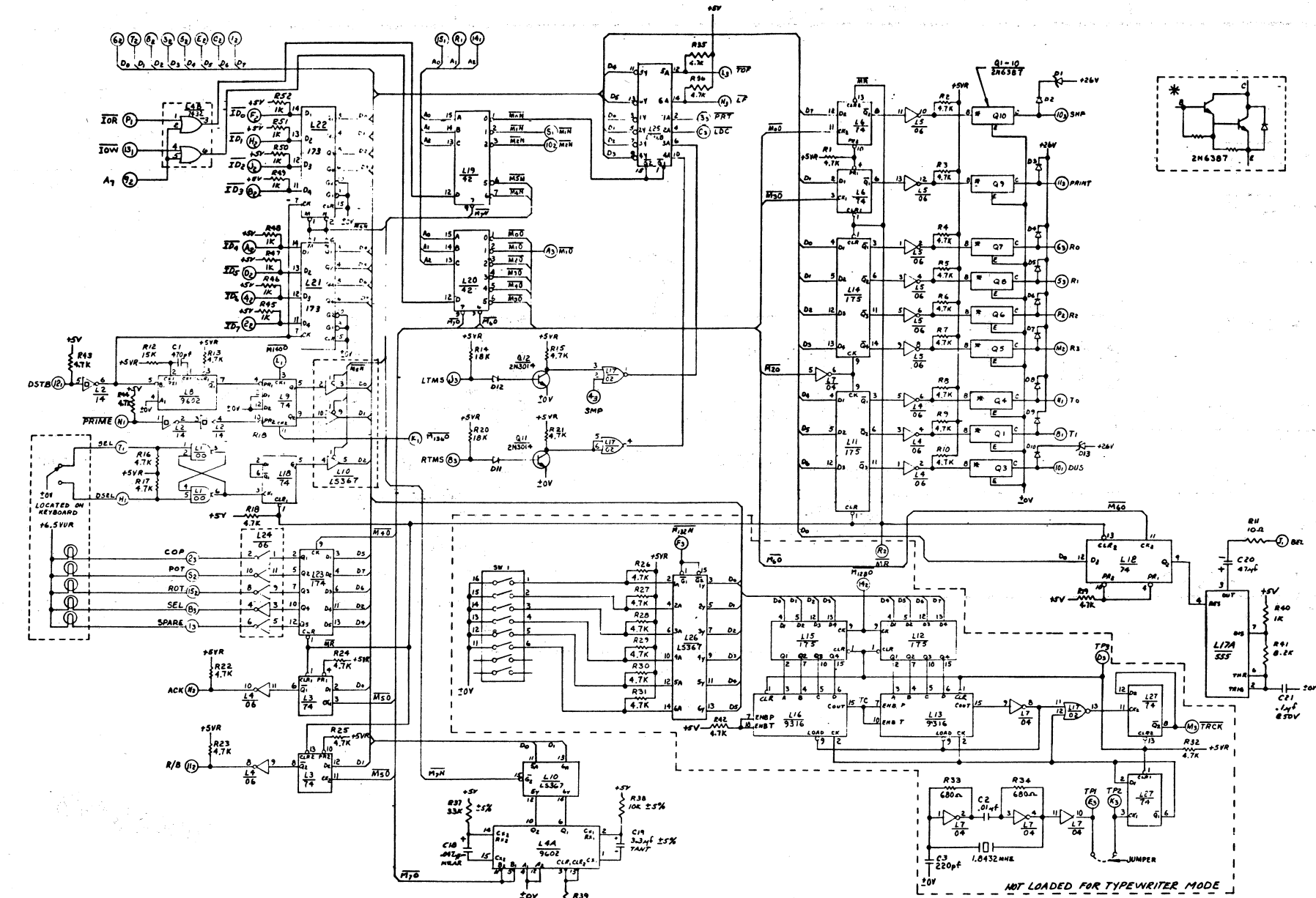
D
C
B
A

D
B
A

6 5 4 3 2 1

THIS DOCUMENT IS THE PROPERTY OF WANG LABORATORIES, INC. AND SHALL NOT BE REPRODUCED OR COPIED IN WHOLE OR IN PART FOR THE MANUFACTURE OR SALE OF ANY MACHINE OR DEVICE WITHOUT PERMISSION.

HOLE LEGEND		
DRILL NO.	SIZE	LOC.
1	.125	100
2	.125	100
3	.125	100
4	.125	100
5	.125	100
6	.125	100
7	.125	100
8	.125	100
9	.125	100
10	.125	100
11	.125	100
12	.125	100
13	.125	100
14	.125	100

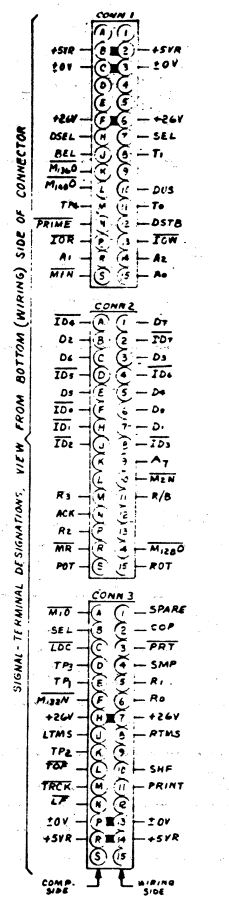
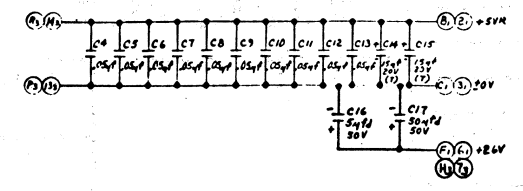
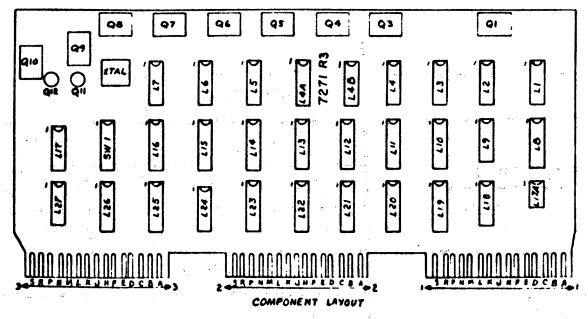


COMPONENT	W.L. PT. NO.
C21	300-1730
C22	300-1730
C23	300-1730
C24	300-1730
C25	300-1730
C26	300-1730
C27	300-1730
C28	300-1730
C29	300-1730
C30	300-1730
C31	300-1730
C32	300-1730
C33	300-1730
C34	300-1730
C35	300-1730
C36	300-1730
C37	300-1730
C38	300-1730
C39	300-1730
C40	300-1730
C41	300-1730
C42	300-1730
C43	300-1730
C44	300-1730
C45	300-1730
C46	300-1730
C47	300-1730
C48	300-1730
C49	300-1730
C50	300-1730
C51	300-1730
C52	300-1730
C53	300-1730
C54	300-1730
C55	300-1730
C56	300-1730
C57	300-1730
C58	300-1730
C59	300-1730
C60	300-1730
C61	300-1730
C62	300-1730
C63	300-1730
C64	300-1730
C65	300-1730
C66	300-1730
C67	300-1730
C68	300-1730
C69	300-1730
C70	300-1730
C71	300-1730
C72	300-1730
C73	300-1730
C74	300-1730
C75	300-1730
C76	300-1730
C77	300-1730
C78	300-1730
C79	300-1730
C80	300-1730
C81	300-1730
C82	300-1730
C83	300-1730
C84	300-1730
C85	300-1730
C86	300-1730
C87	300-1730
C88	300-1730
C89	300-1730
C90	300-1730
C91	300-1730
C92	300-1730
C93	300-1730
C94	300-1730
C95	300-1730
C96	300-1730
C97	300-1730
C98	300-1730
C99	300-1730
C100	300-1730

LOCATION	TYPE	SPARES
L1	7400	2
L2	7414	3
L3	7404	1
L4	7402	1
L5	7402	1
L6	7406	1
L7	7406	1
L8	7432	2

LOCATION	W.L. PART NO.	TERM. NO. 1 OF	TERM. NO. 2 OF
L1	376-0002	7	14
L2	376-0139	7	14
L3,6,9,10,11	376-0006	7	14
L4,5,24	376-0055	7	14
L7	376-0010	7	14
L8,4A	376-0194	8	16
L10,13	376-0192	8	16
L11,14,15	376-0119	8	16
L13,16	376-0094	8	16
L17	376-0016	7	14
L19,20	376-0008	8	16
L21,22	376-0163	8	16
L23	376-0095	8	16
L17A	376-0126	1	8
L25	376-0193	8	16
L4B	376-0093	7	14

NOTE: ALL COMPONENTS THAT ARE CIRCLED ON PARTS LIST, ARE NOT TO BE USED OR LOADED ON 7271

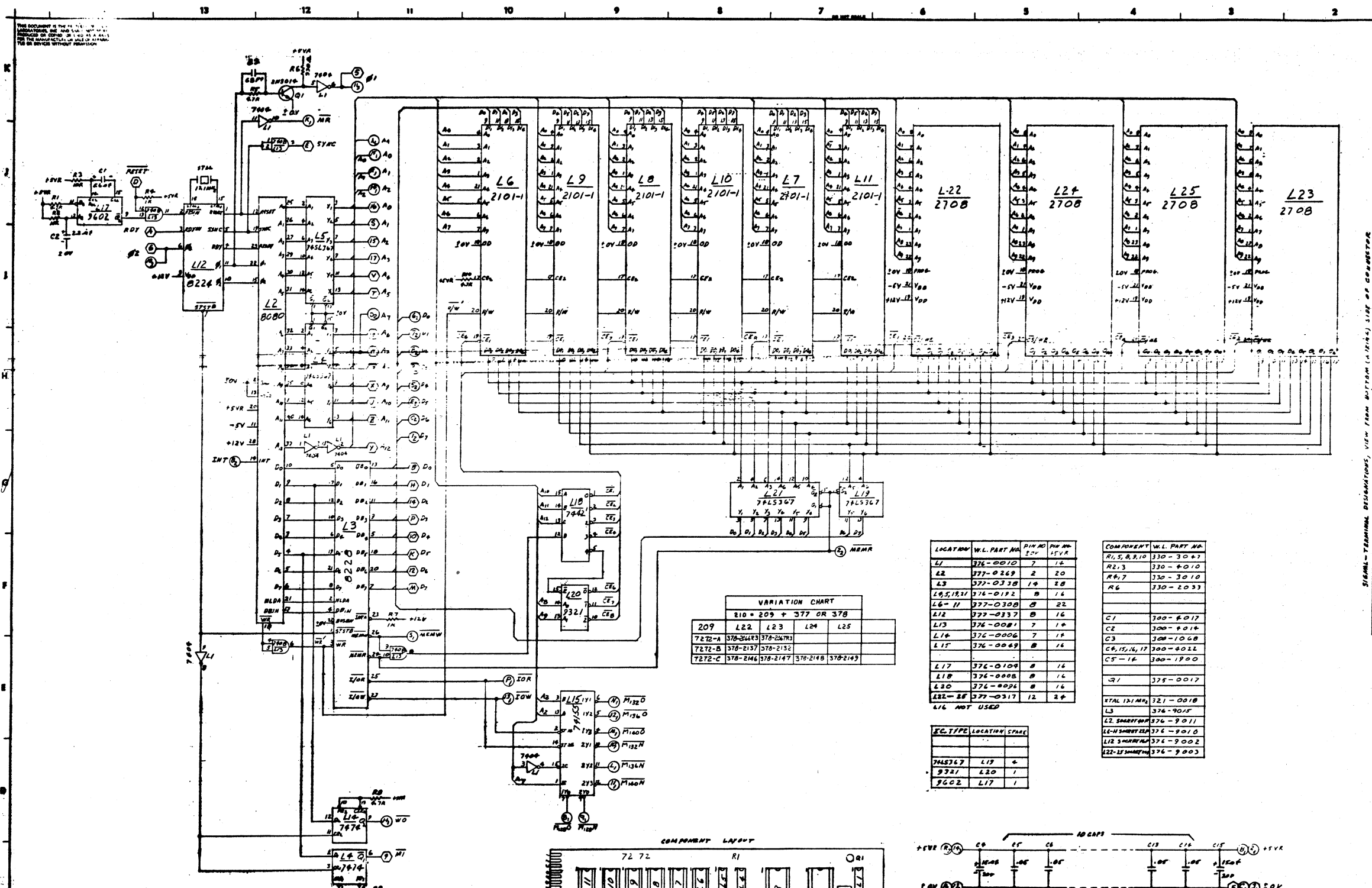


REV.	DESCRIPTION	DATE
1	ISSUED FOR PRODUCTION	10/1/68
2	ISSUED FOR PRODUCTION	10/1/68
3	ISSUED FOR PRODUCTION	10/1/68
4	ISSUED FOR PRODUCTION	10/1/68
5	ISSUED FOR PRODUCTION	10/1/68
6	ISSUED FOR PRODUCTION	10/1/68
7	ISSUED FOR PRODUCTION	10/1/68
8	ISSUED FOR PRODUCTION	10/1/68
9	ISSUED FOR PRODUCTION	10/1/68
10	ISSUED FOR PRODUCTION	10/1/68
11	ISSUED FOR PRODUCTION	10/1/68
12	ISSUED FOR PRODUCTION	10/1/68
13	ISSUED FOR PRODUCTION	10/1/68
14	ISSUED FOR PRODUCTION	10/1/68

WANG PART NO.	ITEM	QTY	NAME	MATERIAL	DESCRIPTION
210-727	1	1	(WANG) LABORATORIES INC.	BY	DATE
210-727	2	1	MODEL NO. 2211	DATE	APPROVED BY
210-727	3	1	DATE	DATE	DATE
210-727	4	1	DATE	DATE	DATE
210-727	5	1	DATE	DATE	DATE
210-727	6	1	DATE	DATE	DATE
210-727	7	1	DATE	DATE	DATE
210-727	8	1	DATE	DATE	DATE
210-727	9	1	DATE	DATE	DATE
210-727	10	1	DATE	DATE	DATE
210-727	11	1	DATE	DATE	DATE
210-727	12	1	DATE	DATE	DATE
210-727	13	1	DATE	DATE	DATE
210-727	14	1	DATE	DATE	DATE

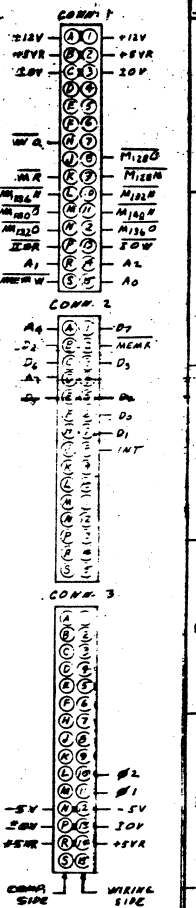
24991979

2 2



HOLE LEGEND

DIAMETER	DESCRIPTION
0.0625	0.0625 DIA.
0.125	0.125 DIA.
0.1875	0.1875 DIA.
0.25	0.25 DIA.



VARIATION CHART

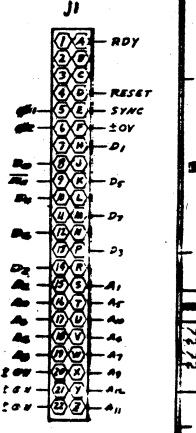
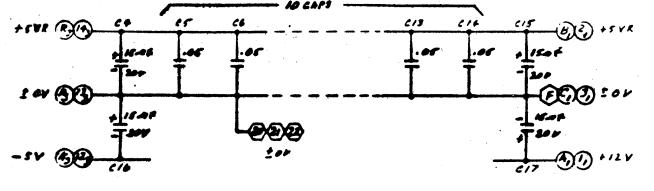
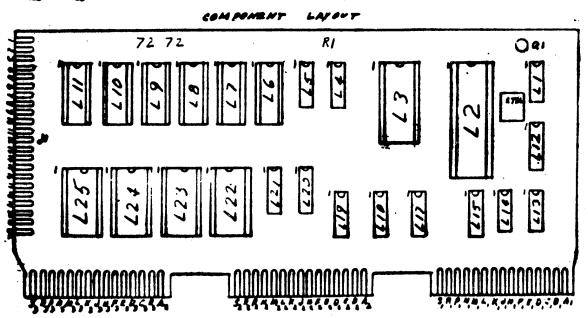
810 = 209 + 377 OR 378

209	L22	L23	L24	L25
7272-A	378-2443	378-2473		
7272-B	378-2137	378-2132		
7272-C	378-2446	378-2147	378-2148	378-2149

LOCATION	W.L. PART NO.	QTY	REV.
L1	376-0010	7	14
L2	377-0269	2	20
L3	377-0338	14	28
L4, L5, L11	376-0182	8	14
L6 - 11	377-0308	8	22
L12	377-0337	8	14
L13	376-0081	7	14
L14	376-0006	7	14
L18	376-0008	8	14
L20	376-0024	8	14
L22 - 25	377-0317	12	24
L16	NOT USED		

COMPONENT	W.L. PART NO.
R1, 5, 8, 10	330-3047
R2, 3	330-4010
R4, 7	330-3010
R6	330-2033
C1	300-4017
C2	300-4014
C3	300-1068
C4, 11, 14, 17	300-4022
C5 - 14	300-1900
Q1	375-0017
VTAL 121, 124	321-0018
L3	376-9015
L2, 3 SHARPTON	376-9011
L6 - 11 SHARPTON	376-9010
L12 SHARPTON	376-9002
L22 - 25 SHARPTON	376-9003

IC TYPE	LOCATION	QTY
74LS74	L17	4
9321	L20	1
9602	L17	1



JAN 08 1979

NO.	DESCRIPTION	DATE	BY
1	DESIGNED		
2	REVIEWED		
3	APPROVED		
4	TESTED		
5	ASSEMBLED		
6	INSPECTED		
7	REWORKED		
8	RETESTED		
9	REWORKED		
10	RETESTED		
11	REWORKED		
12	RETESTED		
13	REWORKED		
14	RETESTED		
15	REWORKED		
16	RETESTED		
17	REWORKED		
18	RETESTED		
19	REWORKED		
20	RETESTED		

WANG PART NO.	ITEM	QTY	NAME	MATERIAL	DESCRIPTION
2271	LABORATORIES INC.				
2271	MODEL NO.				
210-7272A	WANG PART NUMBER				
7272	WANG PART NUMBER				

THE INFORMATION CONTAINED IN THIS DRAWING IS THE PROPERTY OF WANG LABORATORIES, INC. AND IS CONFIDENTIAL AND PROPRIETARY TO WANG LABORATORIES, INC. IT MAY NOT BE COPIED, REPRODUCED OR USED IN WHOLE OR IN PART FOR ANY REASON.

MILLIMETERS IN PARENTHESES TOLERANCES TO BE EQUIVALENT TO INCH DIMENSIONS

PLOTTER STATUS WORD #1

PLOTTER STATUS WORD #2

PLOTTER STATUS WORD #3

PLOTTER STATUS WORD #4

PLOTTER STATUS WORD #5

PLOTTER STATUS WORD #6

PLOTTER STATUS WORD #7

PLOTTER STATUS WORD #8

PLOTTER STATUS WORD #9

PLOTTER STATUS WORD #10

PLOTTER STATUS WORD #11

PLOTTER STATUS WORD #12

PLOTTER STATUS WORD #13

PLOTTER STATUS WORD #14

PLOTTER STATUS WORD #15

PLOTTER STATUS WORD #16

PLOTTER STATUS WORD #17

PLOTTER STATUS WORD #18

PLOTTER STATUS WORD #19

PLOTTER STATUS WORD #20

PLOTTER STATUS WORD #21

PLOTTER STATUS WORD #22

PLOTTER STATUS WORD #23

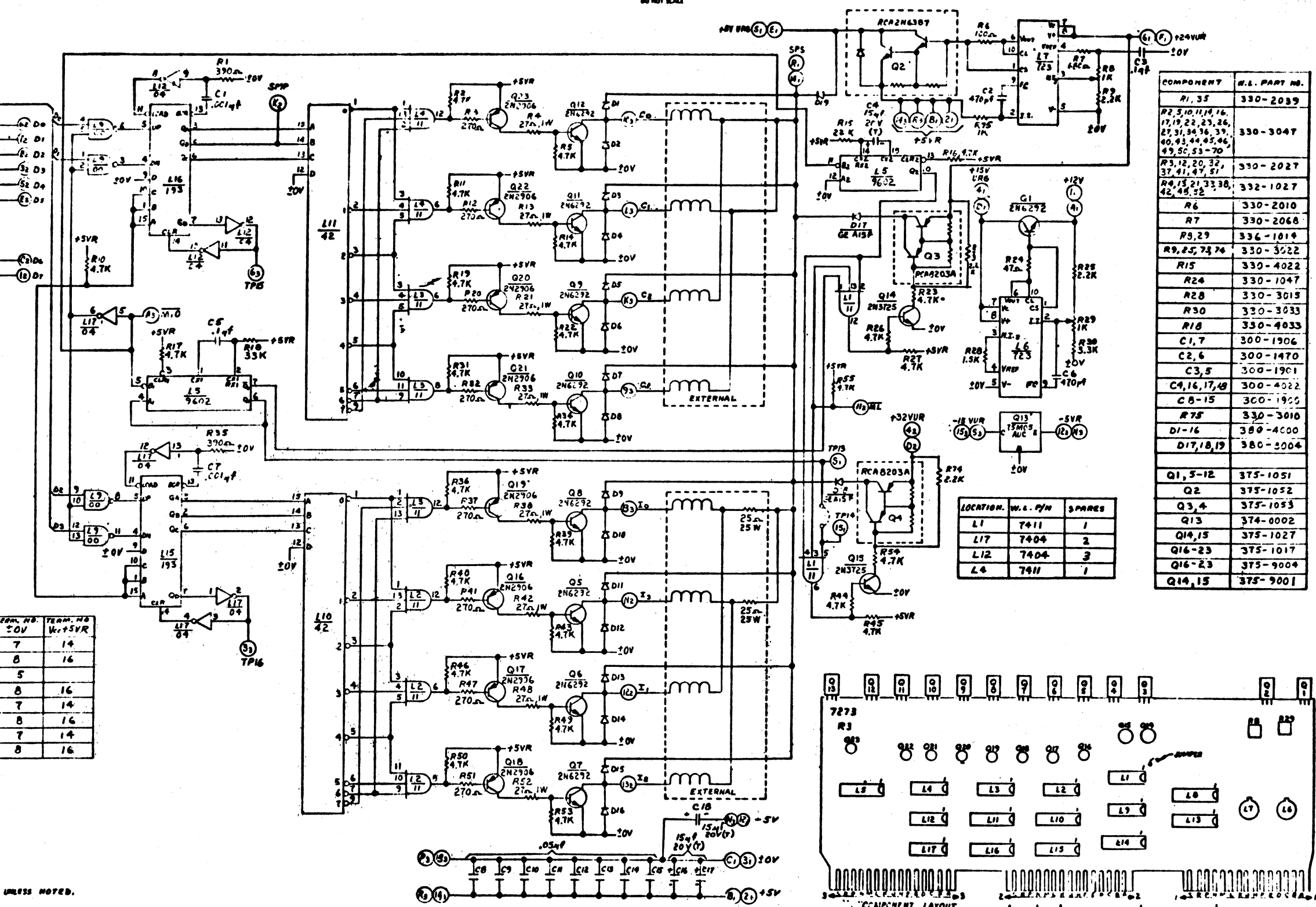
PLOTTER STATUS WORD #24

PLOTTER STATUS WORD #25

PLOTTER STATUS WORD #26

PLOTTER STATUS WORD #27

PLOTTER STATUS WORD #28

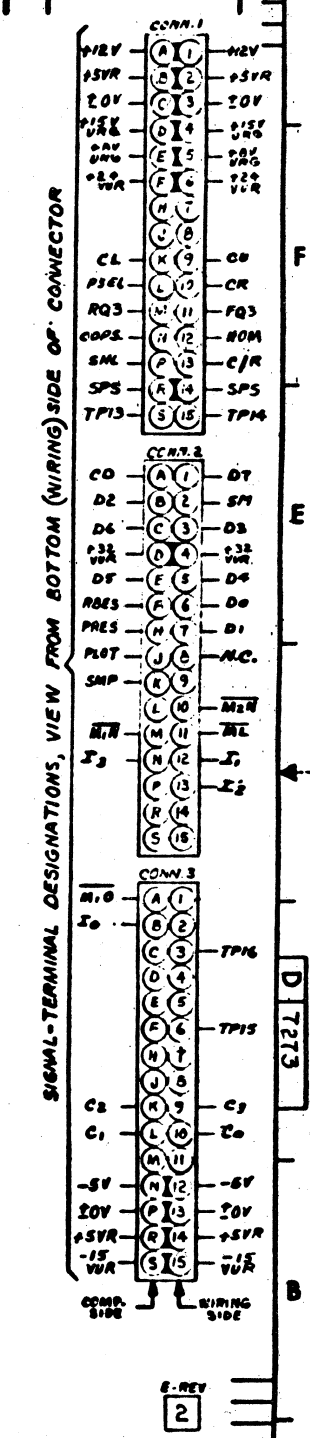


LOCATION	W.L. PART NO.	TERM. NO. 20V	TERM. NO. W.+5V
L1,2,3,4	376-0194	7	14
L5	376-0104	8	16
L6,7	376-0066	5	14
L8,13,14	376-0192	8	16
L9	376-0002	7	14
L10,11	376-0008	8	16
L12,17	376-0010	7	14
L15,16	376-0053	8	16

LOCATION	W.L. P/N	SPARES
L1	7411	1
L17	7404	2
L12	7404	3
L4	7411	1

COMPONENT	W.L. PART NO.
R1,35	330-2039
R2,3,10,11,14,16,17,19,22,23,26,27,31,34,36,37,40,43,44,45,46,49,50,53-70	330-3047
R3,12,20,32,37,41,47,51	330-2027
R4,13,21,33,38,42,45,52	332-1027
R6	330-2010
R7	330-2068
R8,29	336-1019
R9,25,73,74	330-3022
R15	330-4022
R24	330-1047
R28	330-3015
R30	330-3033
R18	330-4033
C1,7	300-1906
C2,6	300-1470
C3,5	300-1901
C4,16,17,18	300-4022
C8-15	300-1900
R75	330-3010
D1-16	380-4000
D17,18,19	380-2004
Q1,5-12	375-1051
Q2	375-1052
Q3,4	375-1053
Q13	374-0002
Q14,15	375-1027
Q16-23	375-1017
Q16-23	375-9004
Q14,15	375-9001

WIRE NO.	DESCRIPTION	QTY
101
102
103
104
105



1. ALL I.C. CHIPS ARE 7400 SERIES UNLESS NOTED.

REV.	DATE	BY	DESCRIPTION
1	10-10-72
2	10-10-72
3	10-10-72
4	10-10-72

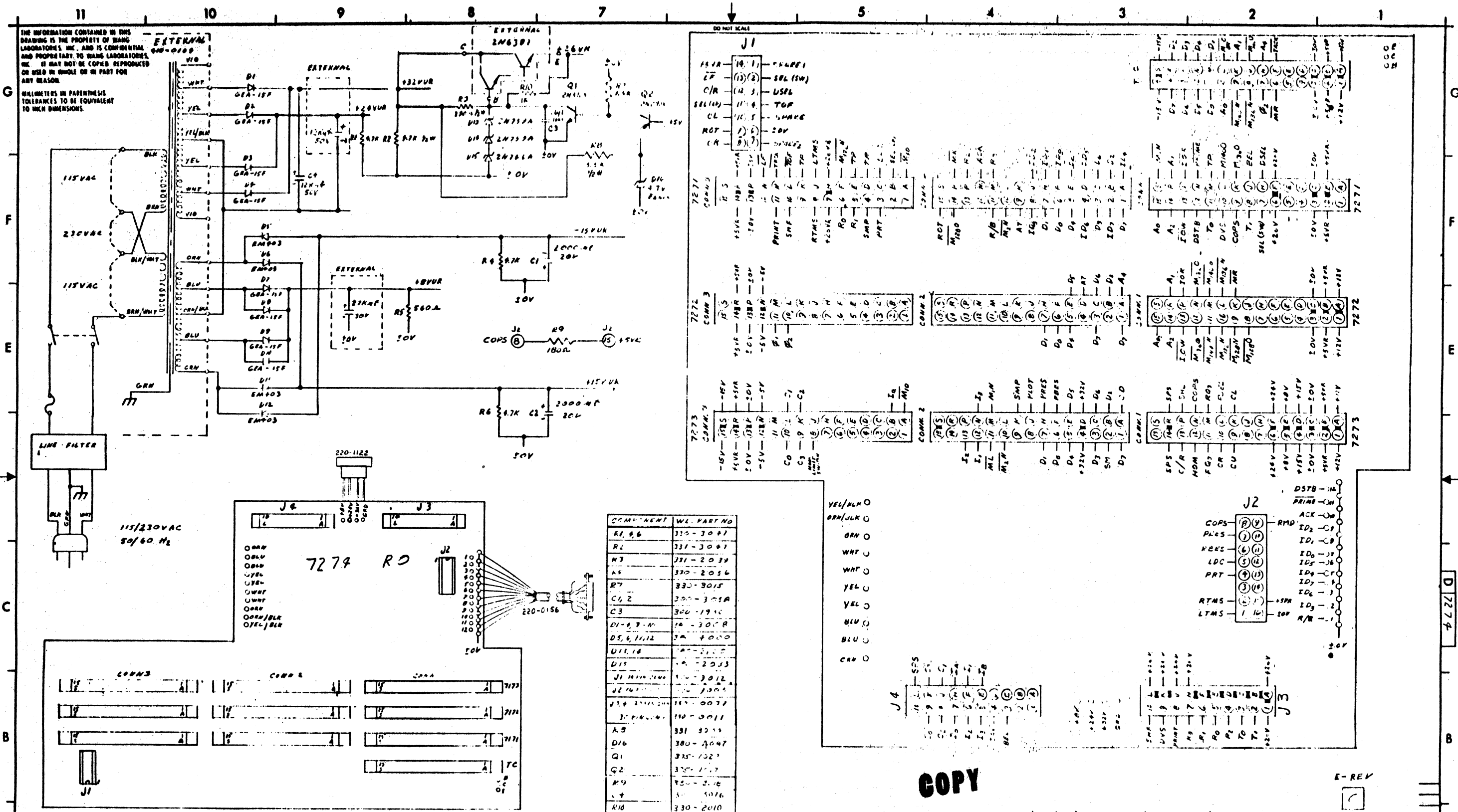
QTY	ITEM	WANG PART NO.	DRAWING NO.	DESCRIPTION

COPY

2

THE INFORMATION CONTAINED IN THIS DRAWING IS THE PROPERTY OF WANG LABORATORIES, INC. AND IS CONFIDENTIAL AND PROPRIETARY TO WANG LABORATORIES, INC. IT MAY NOT BE COPIED, REPRODUCED OR USED IN WHOLE OR IN PART FOR ANY REASON.

MILLIMETERS IN PARENTHESES TOLERANCES TO BE EQUIVALENT TO INCH DIMENSIONS.



COPY

NO	REVISION	DATE	BY	DESCRIPTION
1	115/230VAC 50/60 Hz	11/17/73	WJ	REVISED
2	115/230VAC 50/60 Hz	11/17/73	WJ	REVISED
3	115/230VAC 50/60 Hz	11/17/73	WJ	REVISED
4	115/230VAC 50/60 Hz	11/17/73	WJ	REVISED
5	115/230VAC 50/60 Hz	11/17/73	WJ	REVISED
6	115/230VAC 50/60 Hz	11/17/73	WJ	REVISED
7	115/230VAC 50/60 Hz	11/17/73	WJ	REVISED
8	115/230VAC 50/60 Hz	11/17/73	WJ	REVISED
9	115/230VAC 50/60 Hz	11/17/73	WJ	REVISED
10	115/230VAC 50/60 Hz	11/17/73	WJ	REVISED
11	115/230VAC 50/60 Hz	11/17/73	WJ	REVISED

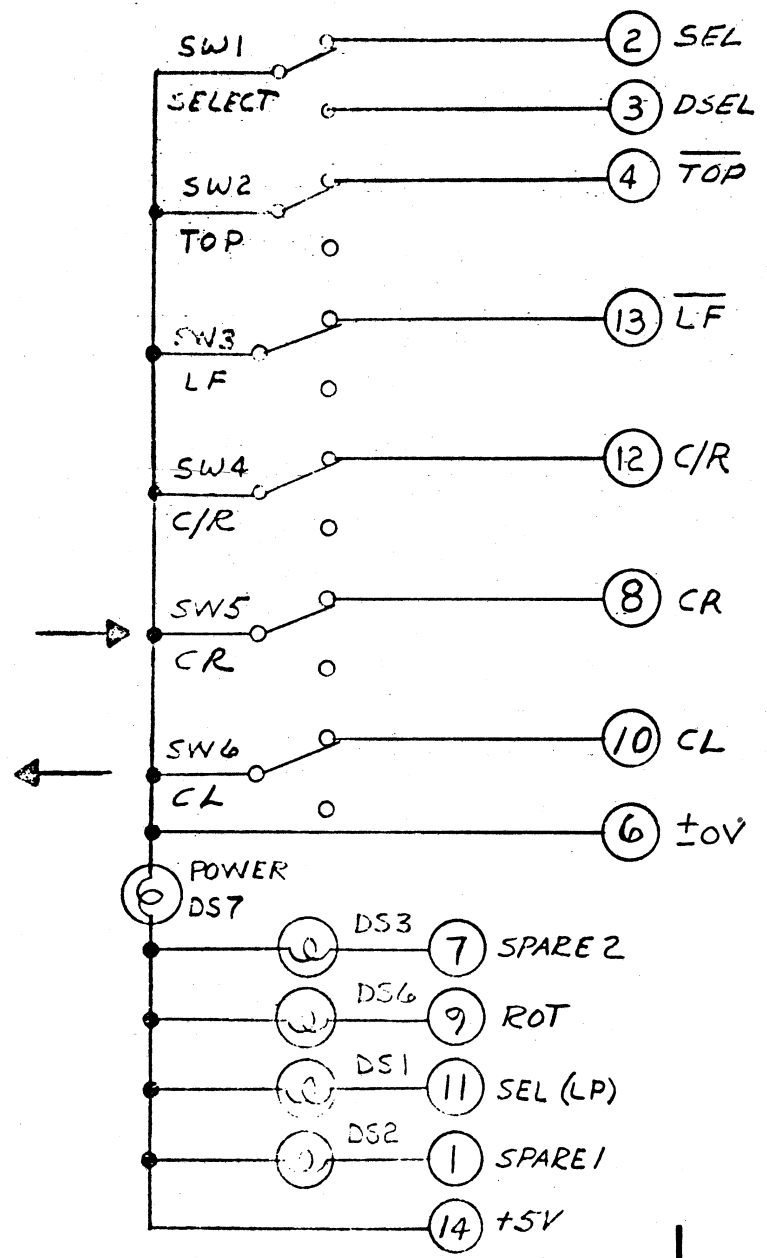
QTY	ITEM	WANG PART NO	DRAWING NO	DESCRIPTION
1	7274 RD	210-7274	D	7274

BY	DATE	APPROVED BY	DATE
WJ	11/17/73	WJ	11/17/73

TITLE	NO	REV	DATE
W RITER BOARD (WRITER PLOTTER)	210-7274	D	11/17/73

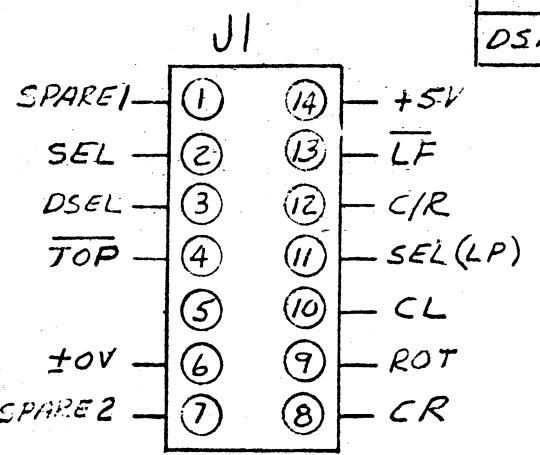
6 5 4 3 2 1

DO NOT SCALE



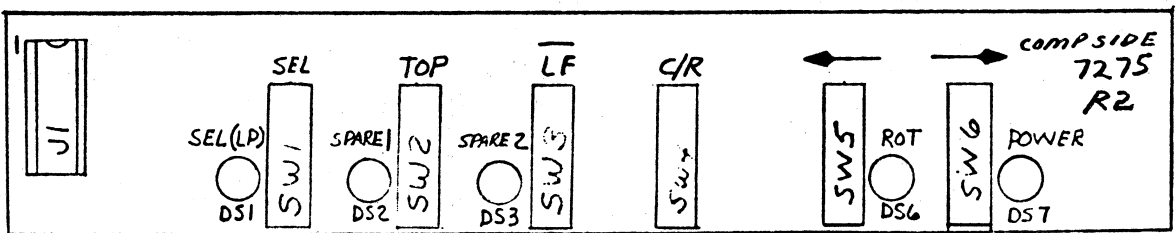
COMPONENT	W.L. PT. NO.
DS1-7	370-0015
SW1-6	325-2305
J1	376-9008
DS1-7	370-1020
DS1-7	652-3002

HOLE LEGEND		
DRILLED OR PUNCHED HOLE	HOLE DIA.	TOL.
	.0135 to .125	+ .003 - .001
	.126 to .250	+ .004 - .001
	.251 to .500	+ .005 - .001
IDENT.	DESCRIPTION	QTY
A		



NOTE: DS2, DS3 NOT LOADED.

JAN 08 1979

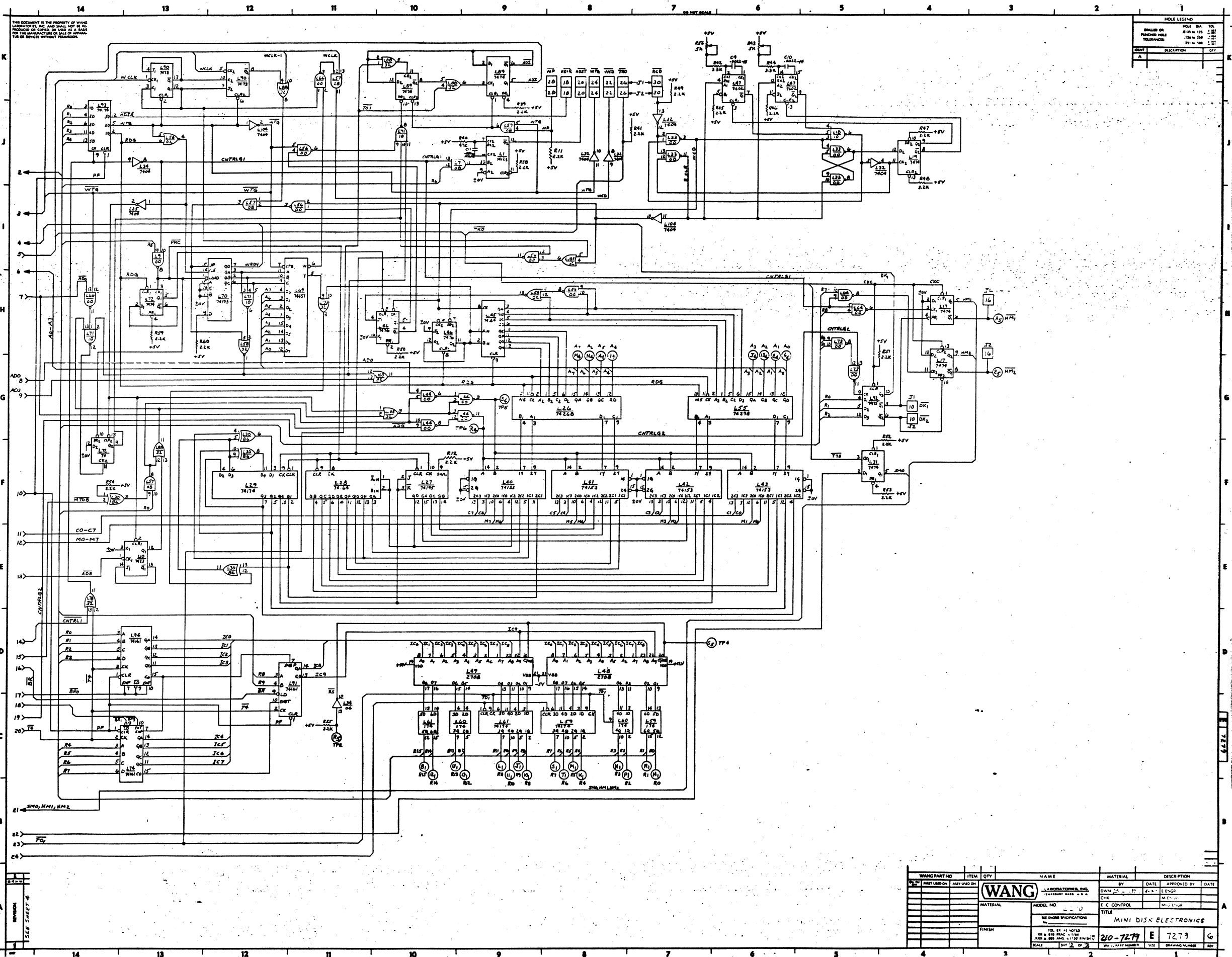


E. REV
0

REVISION	BY	DATE	QTY. PER UNIT	FIRST USED ON	ASSY USED ON	WANG PART NO.	ITEM	QTY.	NAME	MATERIAL	DESCRIPTION			
											BY	DATE	APPROVED BY	DATE
	DWN	2-16-77							LABORATORIES, INC. TEWKSBURY, MASS. U. S. A.		E ENGR	F LEE	2-16-77	
									MODEL NO. 2271		M ENGR			
									SEE ENGRG SPECIFICATIONS No. _____		E. C. CONTROL	MFG ENGR		
									TOL. EX. AS NOTED .XX ± .010 FRAC. ± 1/64 .XXX ± .005 ANG. ± 1°30' FINISH ✓	210-7275	B	7275	2	
									SCALE ? SHT -- OF --	WANG PART NUMBER	SIZE	DRAWING NUMBER	REV.	

REVISION
DWN
DATE
2-16-77
REVISED PER
ENR # 6981
DATE
2-16-77
ENR # 7051
DATE

6 5 4 3 2 1



HOLE LEGEND		
DRILLED OR	HOLE DIA.	TOL.
PUNCHED HOLES	.015 ± .001	± .001
TOLERANCES	.010 ± .001	± .001
SIZE	DESCRIPTION	QTY
1		

WANG PART NO.	ITEM	QTY	NAME	MATERIAL	DATE	DESCRIPTION	DATE
WANG							
LABORATORIES, INC.				BY: [Signature]			
ELECTRONIC EQUIPMENT DIVISION				DATE: [Date]			
MATERIAL				E.C. CONTROL			
FINISH				TITLE: MINI DISK ELECTRONICS			
SEE THESE SPECIFICATIONS				SCALE: [Scale]			
NO. IN SET: 1				DRAWING NUMBER: 210-7279			
SEE 210-7279				SIZE: E			
SCALE: [Scale]				DRAWING NUMBER: 6			

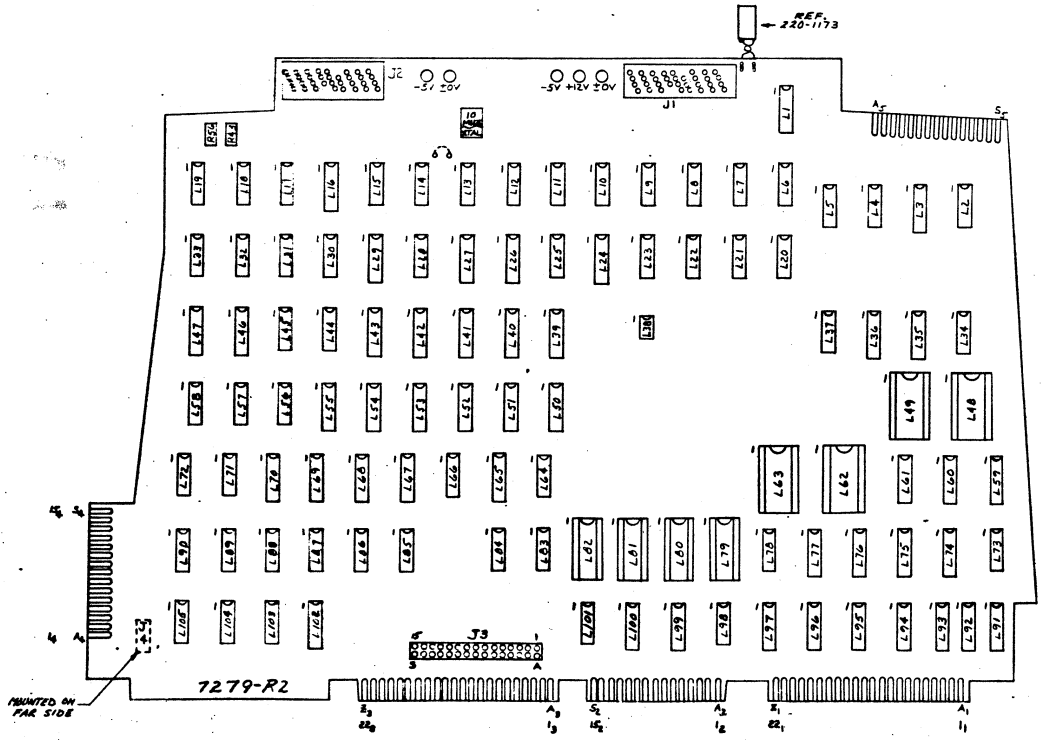
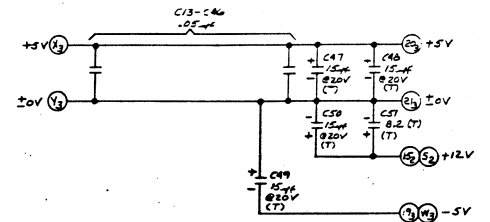
SEE SHEET 4

THIS DOCUMENT IS THE PROPERTY OF WANG LABORATORIES, INC. AND SHALL NOT BE REPRODUCED OR COPIED, OR USED AS A BASIS FOR THE REPRODUCTION OR SALE OF ANYTHING IN WHOLE OR IN PART WITHOUT PERMISSION.

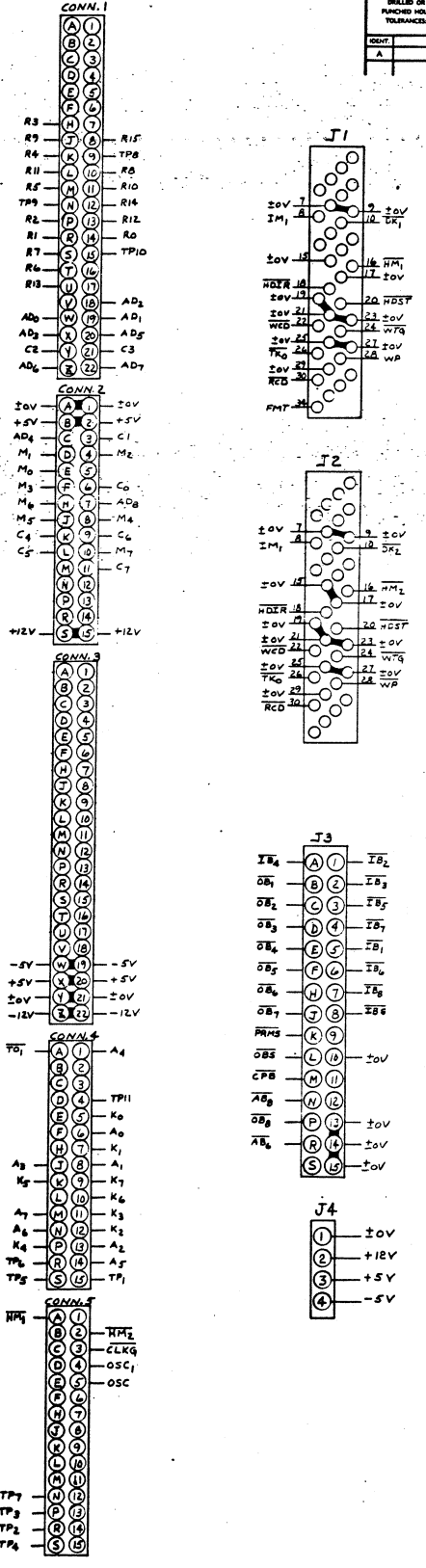
COMPONENT	VAL. PART NO.
R1, 3, 7, 8, 11, 14, 16, 31, 33, 35, 36, 39, 41, 46, 55, 58, 71	330-3022
R2, 3	330-4012
R4	330-4019
R6	330-4016
R36	330-3047
R13	330-5010
R25, 37, 57	330-2047
R27, 28	330-2022
R29	330-2018
R30	330-3015
R40	330-4047
R43, 56	330-0039
R42, 44	330-3033
R36	330-4027
C1	300-4002
C2	300-4016
C7, 11	300-2010
C4	300-1903
C5	300-3011
C6	300-1010
C8, 47-50	300-4022
C9, 10	300-1908
C12	300-2122
C13-46	300-1900
C51	300-4028
C52	300-1907
J1, 2	220-3025
J3	350-0011
J4	654-1194
XTAL	321-0005
D1	380-2000
DL-32	380-1001
C53	300-1913
C54	300-1904
C3	300-2015
L79-82	376-9010
L48, 49, 62, 63	376-9003
CMY SW. ASSY	220-1173

LOCATION	TYPE	SCAPES
L1	7423	1
L2	7475	1
L4	7400	1
L5	7404	1
L7	7408	1
L10	7473	1
L12	74LS04	2
L16	7476	1
L18	7410	1
L20	7408	1
L21	7402	1
L25	7404	1
L31	7474	1
L32	7404	2
L33	7422	1
L34	7400	1
L35	7476	1
L37	7424	4
L38	7407	1
L39	7407	5
L40	7402	3
L41	7403	3
L42	7423	1

LOCATION	VAL. PART NO.	±0V	+5V
L1, 102	376-0080	8	14
L2	376-0012	7	14
L3, 16, 46, 75	376-0007	13	5
L4, 9, 33, 44, 76, 64, 66, 73, 105	376-0002	7	14
L5, 13, 25, 32, 34, 83, 84, 85, 104	376-0010	7	14
L6, 23, 76, 88, 103	376-0093	7	14
L7, 14, 20, 57	376-0081	7	14
L8, 18, 71	376-0005	7	14
L10, 90	376-0005	11	4
L11, 38, 45	376-0102	7	14
L12	376-0180	7	14
L15	376-0073	10	5
L17, 19, 31, 73, 89	376-0066	7	14
L18, 22, 58, 87	376-0016	7	14
L24, 29, 79, 89, 61	376-0096	8	16
L26, 55, 65, 67	376-0138	8	16
L27	376-0077	8	16
L30	376-0034	7	14
L35, 36	376-0049	8	16
L37	376-0025	7	14
L38	376-0126	1	8
L39, 50	376-0096	8	16
L40-43, 51-54	376-0148	8	16
L47, 68	376-0104	8	16
L62, 63	376-0097	12	24
L69	376-0047	8	16
L70, 74, 77	376-0053	8	16
L74, 91, 94	376-0094	8	16
L79, 80, 81, 82	377-0308	8	23
L86	376-0056	7	14
L92	376-0119	8	16
L95, 96, 97	376-0062	8	16
L98, 101	376-0028	7	14
L4+B	376-205912	12	24
L4+P	376-205912	12	24

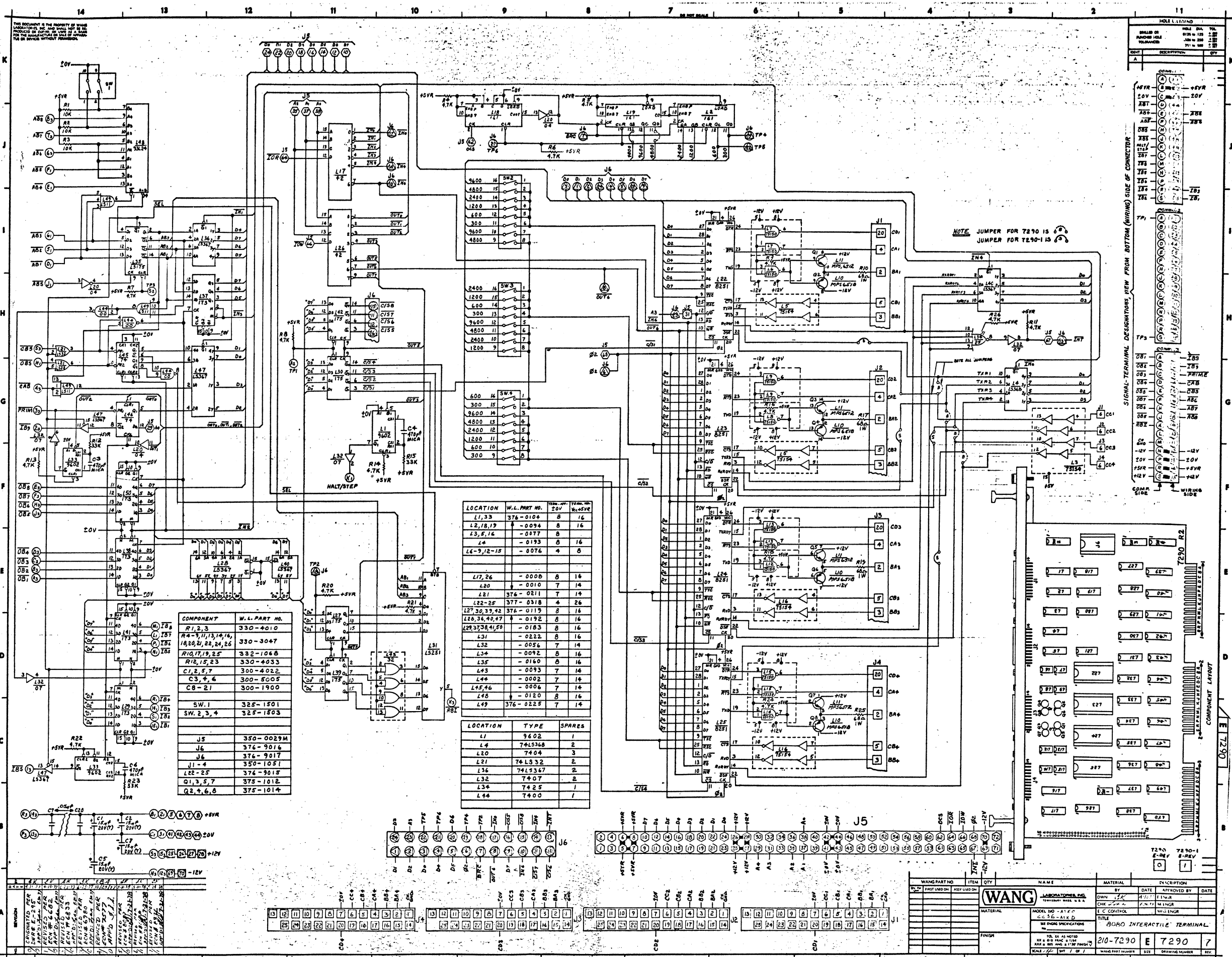


HOLE LEGEND	
DRILLED OR PUNCH HOLE	HOLE DIA.
TOLERANCE	±0.0015
	±0.002
	±0.003
	±0.004
	±0.005
	±0.006
	±0.007
	±0.008
	±0.009
	±0.010
	±0.012
	±0.015
	±0.020
	±0.025
	±0.030
	±0.035
	±0.040
	±0.045
	±0.050
	±0.060
	±0.070
	±0.080
	±0.090
	±0.100



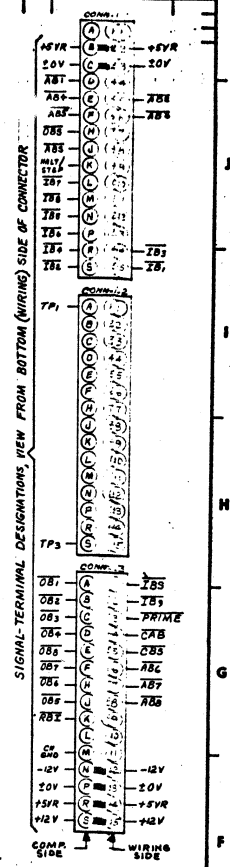
WANG PART NO.	ITEM	QTY	NAME	MATERIAL	DESCRIPTION
7279	PCB	1	7279-R2	FR-4	MINI DISK ELECTRONICS

SEE SHEET 4



THE SECURITY IS THE PROPERTY OF WANG
LABORATORIES, INC. AND SHALL BE KEPT
IN CONFIDENTIALITY AND SHALL NOT BE
REPRODUCED OR DISCLOSED TO ANY OTHER
PERSON WITHOUT THE WRITTEN PERMISSION
OF WANG LABORATORIES, INC.

REV.	DESCRIPTION	DATE
1	INITIAL DESIGN	11/14/68
2	REVISED DESIGN	12/10/68
3	REVISED DESIGN	1/15/69
4	REVISED DESIGN	2/10/69
5	REVISED DESIGN	3/10/69
6	REVISED DESIGN	4/10/69
7	REVISED DESIGN	5/10/69
8	REVISED DESIGN	6/10/69
9	REVISED DESIGN	7/10/69
10	REVISED DESIGN	8/10/69
11	REVISED DESIGN	9/10/69
12	REVISED DESIGN	10/10/69
13	REVISED DESIGN	11/10/69
14	REVISED DESIGN	12/10/69



COMPONENT	W.L. PART NO.
R1, 2, 3	330-4010
R4-9, 11, 13, 14, 16, 18, 20, 22, 24, 26	330-3047
R10, 17, 19, 25	332-1046
R12, 15, 23	330-4033
C1, 2, 5, 7	300-4022
C3, 4, 6	300-5005
C8-21	300-1900
SW.1	325-1501
SW.2, 3, 4	325-1503
J5	350-0029M
J6	376-9016
J6	376-9017
J1-4	350-1051
L22-25	376-9015
Q1, 3, 5, 7	375-1012
Q2, 4, 6, 8	375-1014

LOCATION	W.L. PART NO.	ITEM NO.	TERM. NO.	TERM. NO.
L1, 3, 3	376-0106	8	16	
L2, 18, 19	-0094	8	16	
L3, 5, 16	-0077	8	16	
L4	-0193	8	16	
L6-9, 12-15	-0076	4	8	

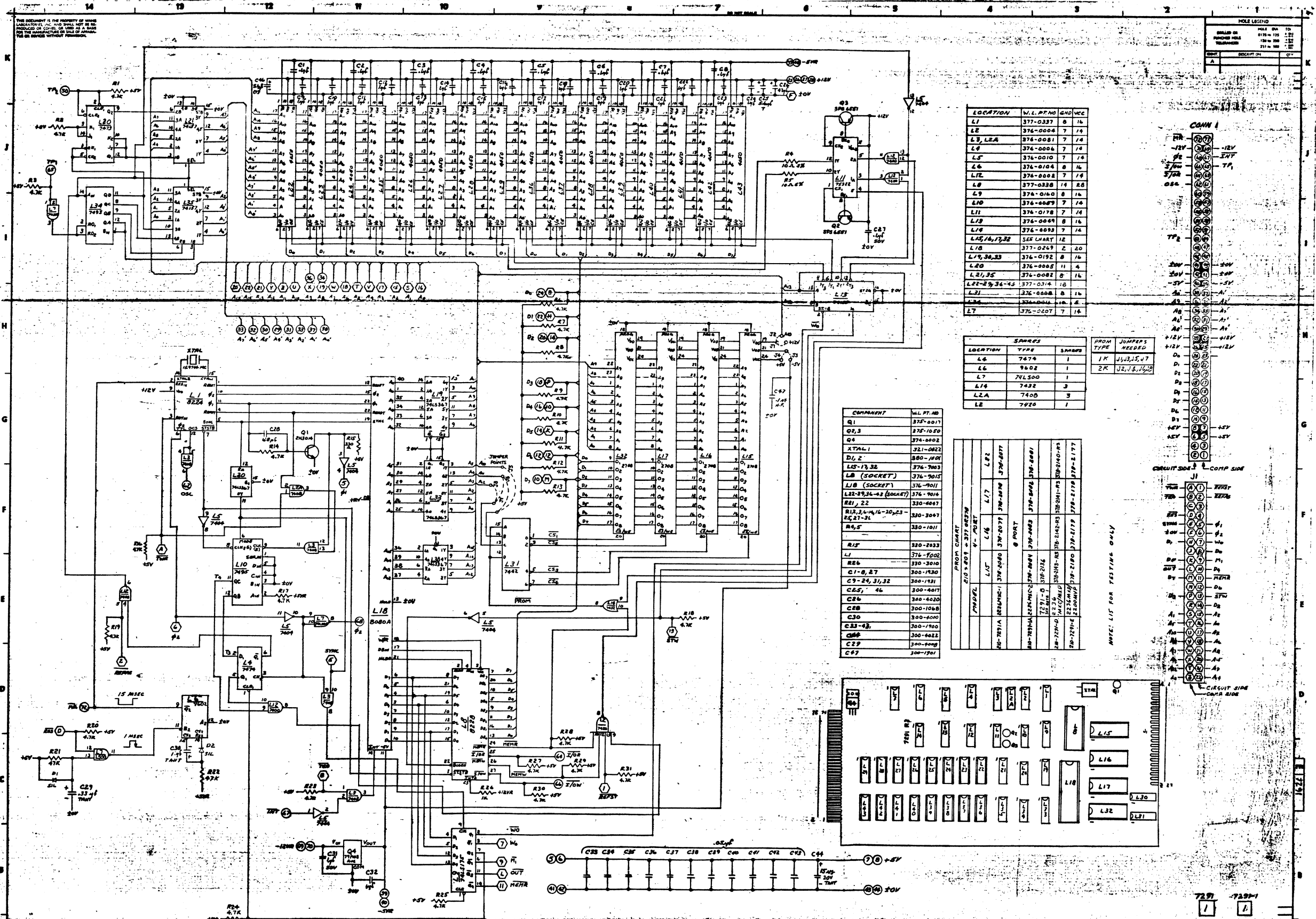
LOCATION	TYPE	SPARES
L1	9602	1
L4	74LS368	2
L20	7404	3
L21	74LS32	2
L36	74LS367	2
L32	7407	2
L34	7425	1
L44	7400	1

REV.	DESCRIPTION	DATE
1	INITIAL DESIGN	11/14/68
2	REVISED DESIGN	12/10/68
3	REVISED DESIGN	1/15/69
4	REVISED DESIGN	2/10/69
5	REVISED DESIGN	3/10/69
6	REVISED DESIGN	4/10/69
7	REVISED DESIGN	5/10/69
8	REVISED DESIGN	6/10/69
9	REVISED DESIGN	7/10/69
10	REVISED DESIGN	8/10/69
11	REVISED DESIGN	9/10/69
12	REVISED DESIGN	10/10/69
13	REVISED DESIGN	11/10/69
14	REVISED DESIGN	12/10/69

WANG PART NO.	ITEM	QTY.	NAME	MATERIAL	INVENTION
7290-1	7290-1	1	7290-1	7290-1	7290-1

WANG LABORATORIES, INC.

MODEL NO. - 7290
SERIAL NO. - 1000
DATE - 11/14/68
BY - J.C. CONTROL
CHECKED BY - M. INGR
TITLE - 7290 INTERACTIVE TERMINAL
SCALE - 1/8" = 1"



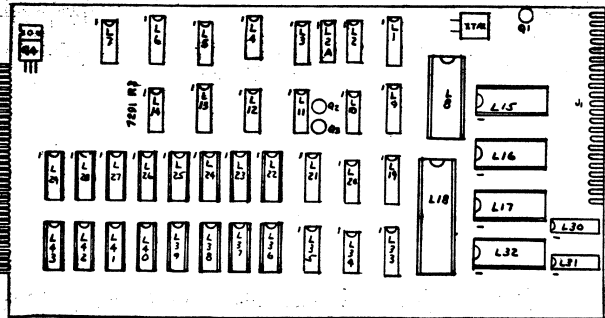
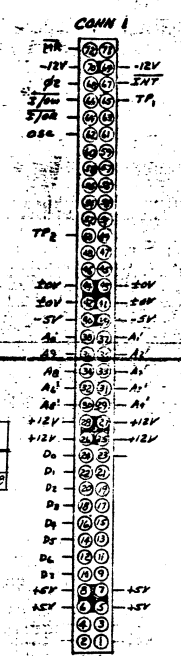
HOLE LEGEND

DRILL DIA	1/16	1/8	3/16	1/2
DRILL DIA	5/16	3/4	1	1 1/4
DRILL DIA	1 1/8	1 1/2	2	2 1/2
DRILL DIA	3	4	6	8

LOCATION	W.L. PART NO	QTY	VEC
L1	377-0337	8	14
L2	376-0004	7	14
L3, L2A	376-0081	7	14
L4	376-0006	7	14
L5	376-0010	7	14
L6	376-0104	8	14
L7E	376-0002	7	14
L8	377-0328	14	28
L9	376-0160	8	14
L10	376-0049	7	14
L11	376-0178	7	14
L12	376-0048	8	14
L13	376-0093	7	14
L14, L16, L17, L18	SEE CHART	12	
L15	377-0249	2	20
L19, L20, L21	376-0192	8	14
L20	376-0005	11	4
L21, L25	376-0082	8	14
L22-29, 36-42	377-0314	10	
L21	376-0008	8	14
L24	376-0001	11	4
L27	376-0207	7	14

LOCATION	TYPE	QTY
L6	7474	1
L6	9602	1
L7	741500	1
L14	7432	3
L2A	7405	3
L2	7420	1

COMMENT	W.L. PART NO
Q1	375-0017
Q2,3	375-1050
Q4	374-0002
XTAL1	321-0022
D1, 2	380-1001
L5, L7, L8	376-7003
L6 (SOCKET)	374-7015
L13 (SOCKET)	376-7011
L22-29, 36-42 (SOCKET)	376-7014
R21, 22	330-0047
R12, 14, 16, 20, 23, 25, 27-31	330-0047
R4, 5	330-1011
R15	330-2033
L1	376-7002
R26	330-3010
C1-8, 27	300-930
C9-24, 31, 32	300-1931
C25, 46	300-4017
C26	300-4020
C28	300-1068
C30	300-6000
C33-43	300-7000
C44	300-6022
C29	300-9008
C27	300-1910



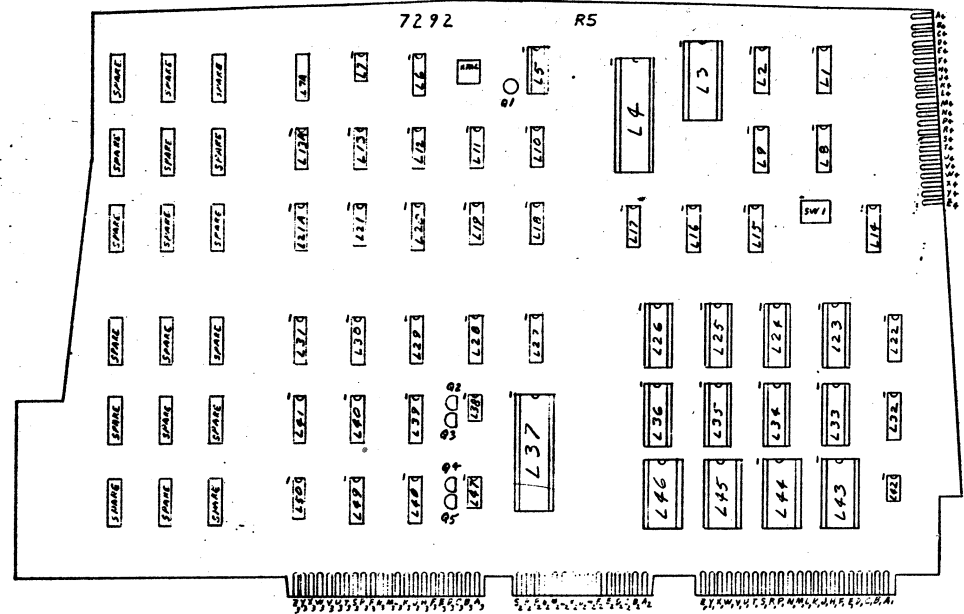
REV	DATE	BY	DESCRIPTION
1	11-17-57	W.C.	INITIAL DESIGN
2	11-17-57	W.C.	REVISED FOR MANUFACTURE
3	11-17-57	W.C.	REVISED FOR TESTING
4	11-17-57	W.C.	REVISED FOR PRODUCTION
5	11-17-57	W.C.	REVISED FOR TESTING
6	11-17-57	W.C.	REVISED FOR PRODUCTION
7	11-17-57	W.C.	REVISED FOR TESTING
8	11-17-57	W.C.	REVISED FOR PRODUCTION
9	11-17-57	W.C.	REVISED FOR TESTING
10	11-17-57	W.C.	REVISED FOR PRODUCTION
11	11-17-57	W.C.	REVISED FOR TESTING
12	11-17-57	W.C.	REVISED FOR PRODUCTION
13	11-17-57	W.C.	REVISED FOR TESTING
14	11-17-57	W.C.	REVISED FOR PRODUCTION

WANG PART NO	ITEM	QTY	NAME	MATERIAL	DATE	DESCRIPTION
7291	1	1	7291			
7291	1	1	7291			

WANG LABORATORIES, INC. MODEL NO. 2236 MYC. TITLE BOARD INTERACTIVE TERMINAL MEMORY DAUGHTER BOARD. 710-7291 E 7291 B. WANG PART NUMBER 7291. DRAWING NUMBER 7291.

THIS DRAWING IS THE PROPERTY OF WANG MICROFORMATS, INC. AND SHALL NOT BE REPRODUCED OR COPIED IN ANY MANNER WITHOUT WRITTEN PERMISSION.

HOLE LEGEND			
DRILL DIA.	HOLE DIA.	TOL.	
UNDRILLED	.03125	±.001	
RECESSED HOLE	.03125	±.001	
PLUG HOLE	.03125	±.001	

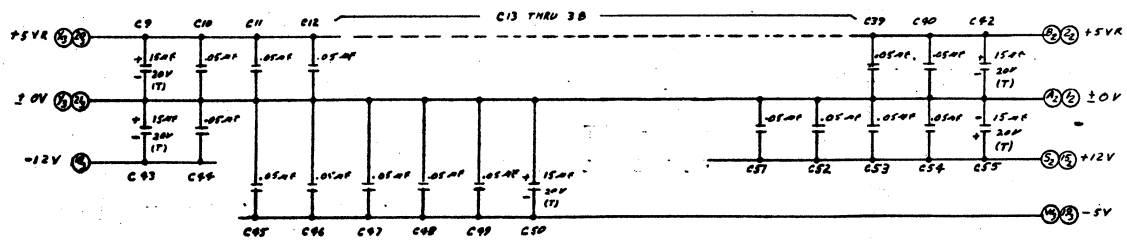


LOCATION	W.L. PART NO.	TYPE
L1,2,8,9	376-0187	8T37
L3	377-0338	8280
L4	377-0259	8080
L5	377-0337	8224
L6,10	376-8010	7404
L7,42	376-0124	555
L11,12,21,50	376-0066	7474
L13	376-0063	7410
L13A,17	376-0081	7408
L11,15	376-0185	8T38
L16,27	376-0074	9321
L18	376-0033	7432
L19	376-0502	7400
L20,49	376-0080	74123
L21A,29,30,37,41,48	376-0119	74175
L22,32	376-0183	74173
L23-26,33-36	SEE CHART	2101
L28	376-0077	75154
L30,40	376-0074	74161
L37	377-0071	1422
L38,47	376-0076	75150
L43-46	SEE CHART	2108
L7A	376-0012	7451

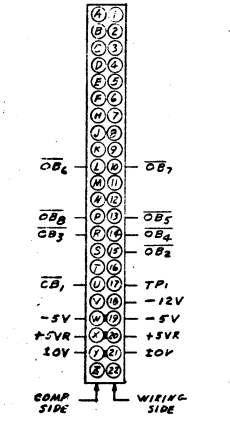
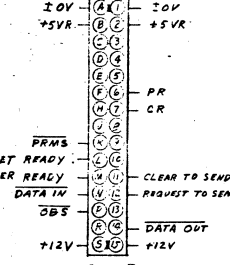
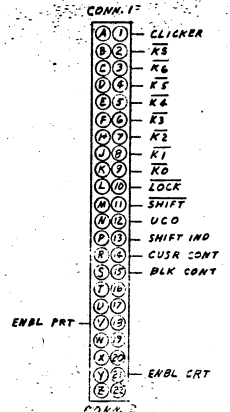
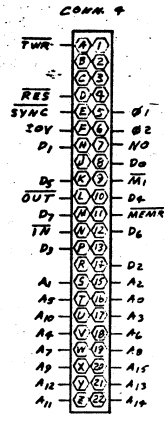
Z.C. TYPE	LOCATION	SPARE
7410	L13	1
7400	L19	2
74123	L20	1
7404	L6	1
7408	L13A	1
7432	L18	1
7451	L7A	1

COMPONENT	W.L. PART NO.	TYPE
R1	375-3333	333-22442
R2	370-3047	4.7K 1/4W 10%
R3,35,52,54,55,56,57,58,59	370-3010	1K 1/4W 10%
R4,7,22,21	370-3022	2.2K 1/4W 10%
R8	370-5010	100K 1/4W 10%
R9	370-4047	47K 1/4W 10%
R10,11	370-5047	470K 1/4W 10%
R15,16	370-1068	68 1/2 1/4W 10%
R17	370-4022	22K 1/4W 10%
R23	370-4033	33K 1/4W 10%
R25-28	371-2012	120 1/2 1/4W 10%
*XTAL	SEE CHART	
D1	370-6000	1N4204
C1	370-1060	60PF 50V
C2,B	370-1203	100PF 50V CER
C3	370-3009	330PF 50V CER
C9,10-10M-49,57,56	370-1920	0.05MFD 50V
C5	370-1039	37PF 50V
C6	370-1470	47PF 50V
C7	370-4011	40PF 50V
C9,40,43,50,55	370-4022	100PF 50V
C41	370-1330	330PF 50V
Q1	375-0017	2N3014
Q2A	375-1012	4N60512
Q3,5	375-1014	4N60518
Q1	375-9014	PAD
SW1	325-1501	ROCKER SWITCH
L3	376-9015	SOCKET 8 PIN
L4,37	376-9011	SOCKET 16 PIN
L5	376-9002	SOCKET 16 PIN
L43-46	376-9003	SOCKET 24 PIN
L23-26,33-36	376-9010	SOCKET 28 PIN

* LOAD PER CHART

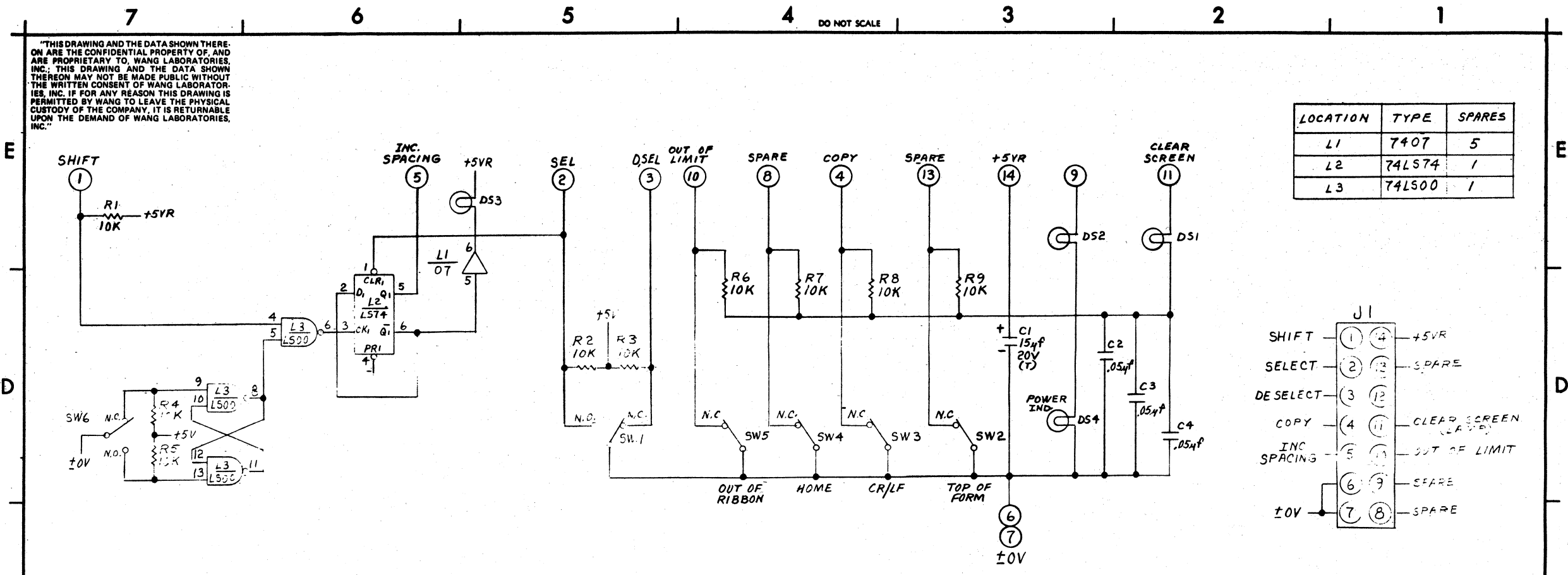


		FROM CHART													
		210 = 209 + 377 OR 378													
MODEL	209	210	L23	L24	L25	L26	L33	L34	L35	L36	XTAL	L43	L44	L45	L46
2236	7292	7292A	377-0308			377-0308					371-0012	378-2083			
2236 D	7292	7292 B									371-0012	378-2135			
9017-JC	7292-I	7292-1A	377-0308	377-0308	377-0308	377-0308	377-0308	377-0308	377-0308	377-0308	371-0012	378-2161			
	7292-I	7292-1B	377-0308	377-0308	377-0308	377-0308	377-0308	377-0308	377-0308	377-0308	371-0012	378-2181	378-2182		

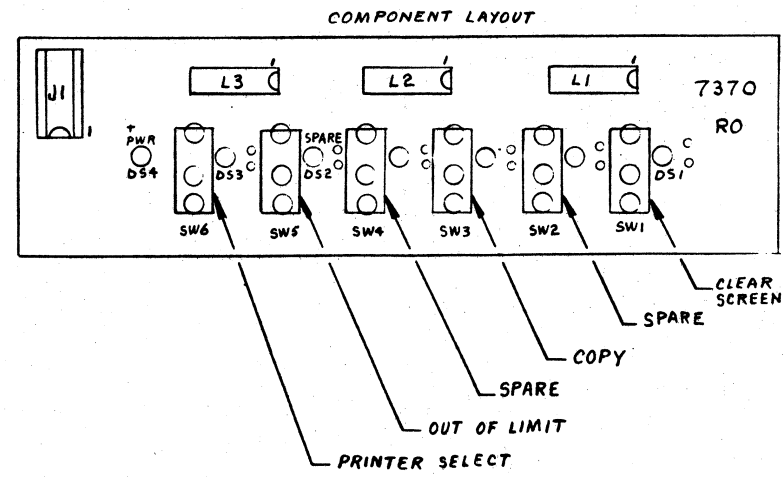
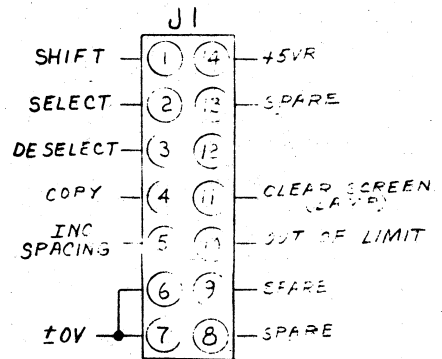


WANG PART NO.	ITEM	QTY	NAME	MATERIAL	DESCRIPTION
7292					
WANG MICROFORMATS, INC.					
MODEL NO. 7292			TITLE: INTERACTIVE TERMINAL		
DATE: 2/10/72			DRAWN BY: E		
SCALE: 1:1			CHECKED BY: M		
WANG PART NUMBER: 7292			DRAWING NUMBER: 11		

"THIS DRAWING AND THE DATA SHOWN THEREON ARE THE CONFIDENTIAL PROPERTY OF, AND ARE PROPRIETARY TO, WANG LABORATORIES, INC. THIS DRAWING AND THE DATA SHOWN THEREON MAY NOT BE MADE PUBLIC WITHOUT THE WRITTEN CONSENT OF WANG LABORATORIES, INC. IF FOR ANY REASON THIS DRAWING IS PERMITTED BY WANG TO LEAVE THE PHYSICAL CUSTODY OF THE COMPANY, IT IS RETURNABLE UPON THE DEMAND OF WANG LABORATORIES, INC."

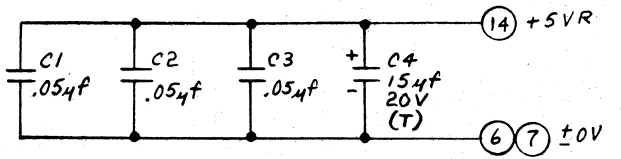


LOCATION	TYPE	SPARES
L1	7407	5
L2	74LS74	1
L3	74LS00	1



COMPONENT	W.L. PART NO.	TYPE
R1-9	330-4010	10K 10%
C1-3	300-1900	.054f
C4	300-4022	154f 20V
SW1-6	325-2305	11SM1
DS1-4	370-0015	CM6833A515
DS1-4	370-1020	1200 HOLDER
J1	376-9012	14PIN SKT
J1	376-9008	PAD

LOCATION	W.L. PART NO.	TYPE
L1	376-0056	7407
L2	376-0155	74LS74
L3	376-0207	74LS00

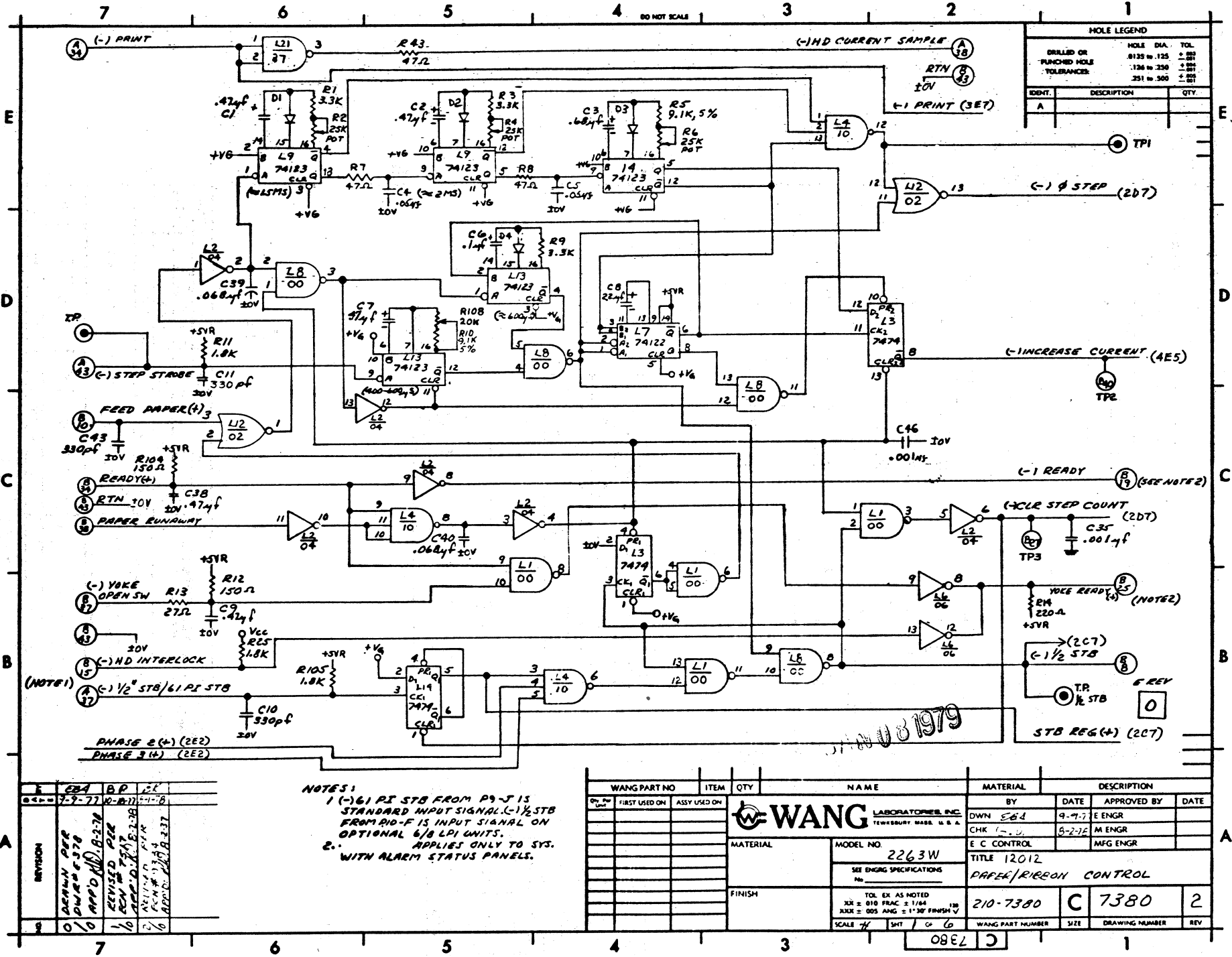


* SW. 2, 4, 5, NOT LOADED

E-REV
0

NO.	REVISION	DATE
0	ORIGINATED PER DWR E-30 APP'D: [Signature] 2-18-78	1-11-78

WANG LABORATORIES, INC. LOWELL, MASS. U.S.A.		BY	DATE	APPROVED BY	DATE
		DWN BR	1-11-78	E ENGR J. J.	2/10/78
MATERIAL MODEL NO. 2282 SEE ENGRG SPECIFICATIONS No.		CHK G.D.	2/10/78	M ENGR	
		E. C. CONTROL		MFG ENGR	
FINISH		TOL. EX. AS NOTED .XX ± .010 FRAC ± 1/64 .XXX ± .005 ANG ± 1°30' FINISH		210-7370	C
SCALE 1/16" = 1"		SHT 1 OF 1	WANG PART NUMBER	SIZE	DRAWING NUMBER
			7370	C	7370
					0

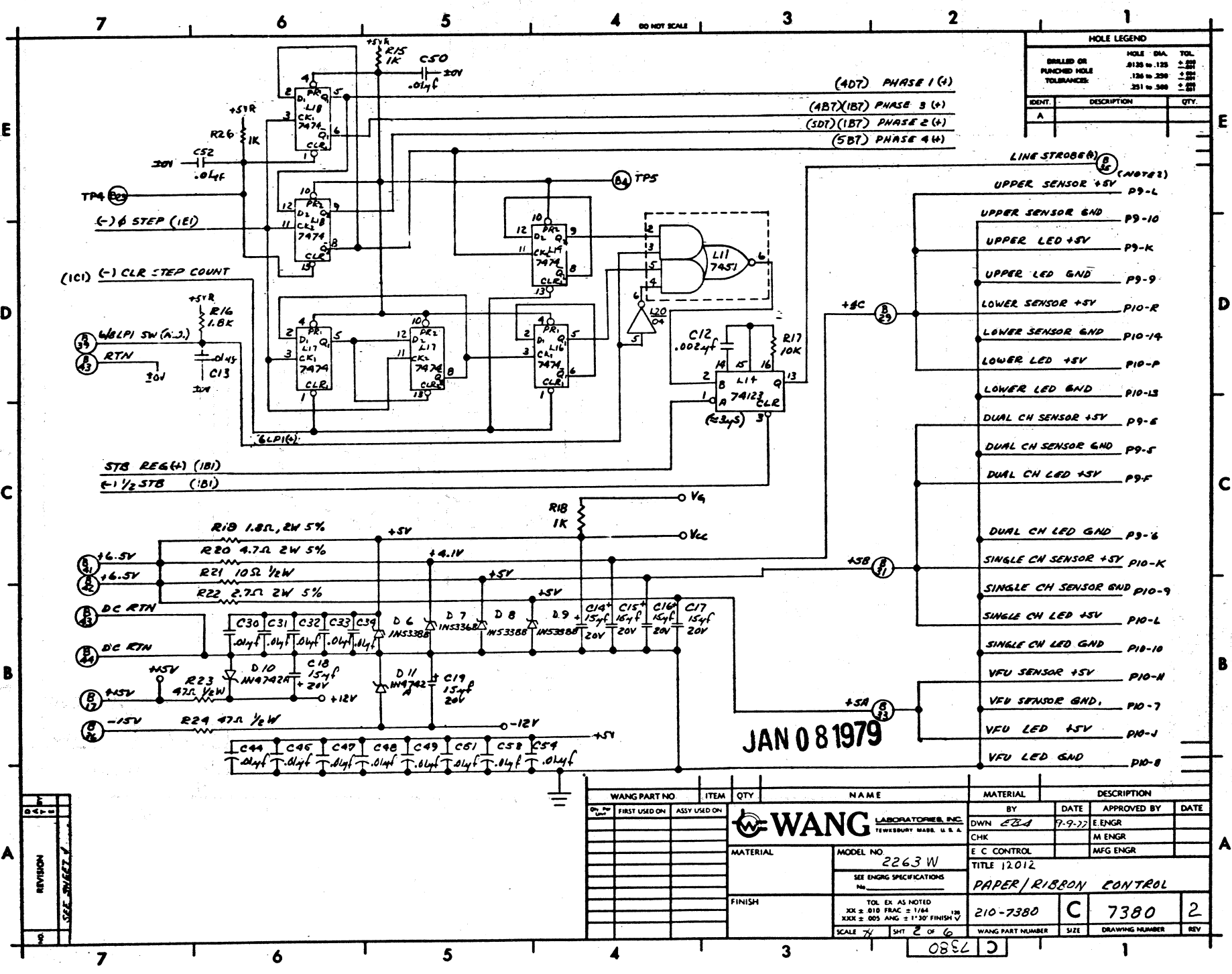


HOLE LEGEND		
DRILLED OR PUNCHED HOLE	HOLE DIA.	TOL.
TOLERANCES:	.125 to .250	±.005
	.251 to .500	±.007
	.501 to 1.000	±.010
IDENT.	DESCRIPTION	QTY.
A		

REVISION	BY	DATE	DESCRIPTION
1	WANG	7-9-77	REVISED PER
2	WANG	10-18-77	REVISED PER
3	WANG	11-15-77	REVISED PER
4	WANG	1-8-78	REVISED PER
5	WANG	1-8-78	REVISED PER
6	WANG	1-8-78	REVISED PER
7	WANG	1-8-78	REVISED PER

NOTES:
 1. (-) PI STB FROM P9-15 STANDARD INPUT SIGNAL. (-) 1/2 STB FROM P10-F IS INPUT SIGNAL ON OPTIONAL 6/8 LPI UNITS.
 2. APPLIES ONLY TO SYS. WITH ALARM STATUS PANELS.

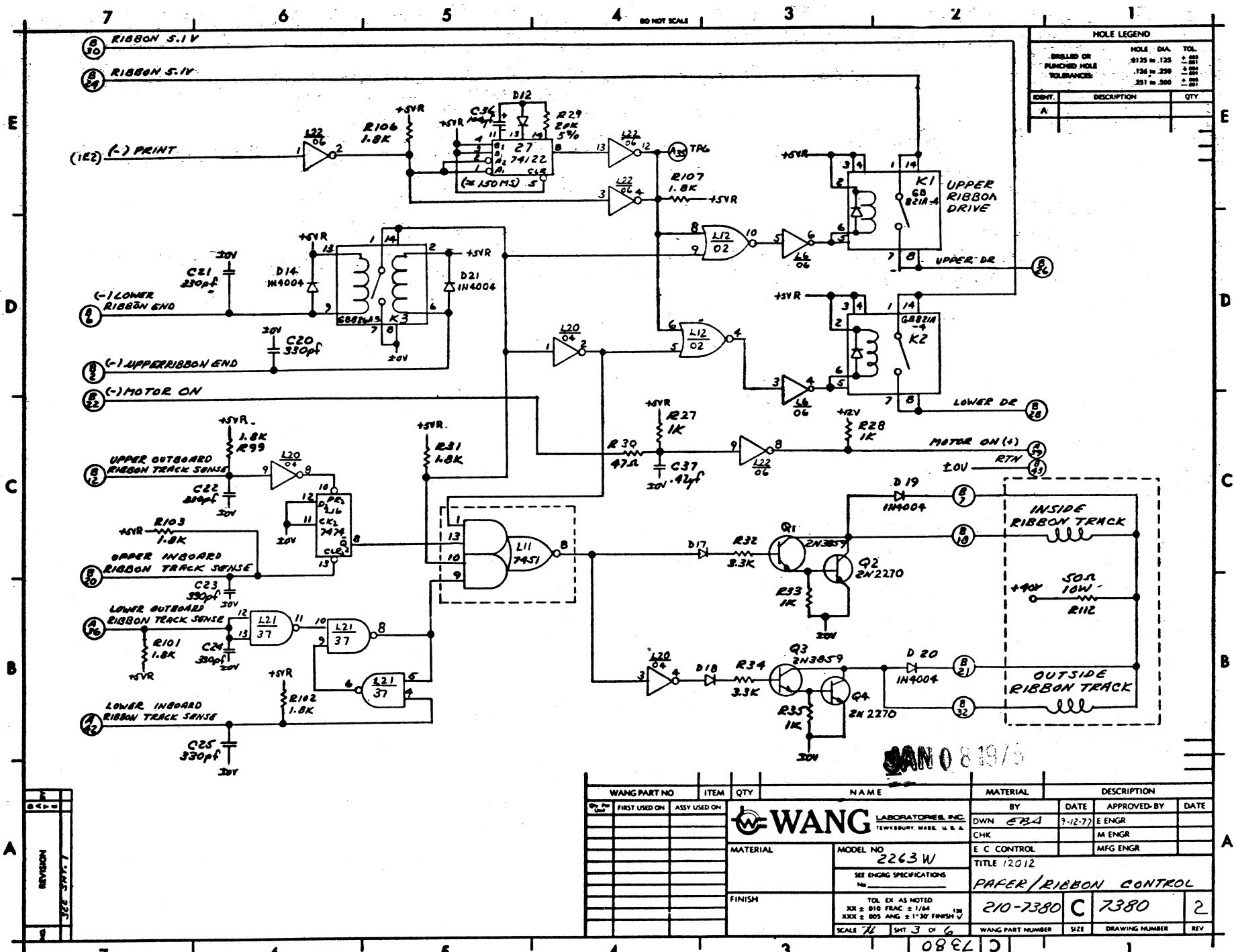
WANG PART NO.	ITEM	QTY.	NAME	MATERIAL	DESCRIPTION
2263W			LABORATORIES, INC.		
			MODEL NO. 2263W		
			SEE ENG'G SPECIFICATIONS		
			TITLE 12012		
			PAPER/RIBBON CONTROL		
			TOL. EX. AS NOTED		
			XXX ± 0.10 FRAC ± 1/64		
			XXX ± 0.05 ANG ± 1° 30' FINISH V		
			SCALE 7/8" = 1"		
			SHT 1 OF 6		
			WANG PART NUMBER	210-7380	
			SIZE	C	
			DRAWING NUMBER	7380	
			REV	2	



HOLE LEGEND		
DRILLED OR PUNCHED HOLE	HOLE DIA.	TOL.
TOLERANCES:	.125 to .250	±.005
	.251 to .500	±.007
	.501 to 1.000	±.010
IDENT.	DESCRIPTION	QTY.
A		

REVISION	BY	DATE	DESCRIPTION
1	WANG	7-9-77	REVISED PER
2	WANG	10-18-77	REVISED PER
3	WANG	11-15-77	REVISED PER
4	WANG	1-8-78	REVISED PER
5	WANG	1-8-78	REVISED PER
6	WANG	1-8-78	REVISED PER
7	WANG	1-8-78	REVISED PER

WANG PART NO.	ITEM	QTY.	NAME	MATERIAL	DESCRIPTION
2263W			LABORATORIES, INC.		
			MODEL NO. 2263W		
			SEE ENG'G SPECIFICATIONS		
			TITLE 12012		
			PAPER/RIBBON CONTROL		
			TOL. EX. AS NOTED		
			XXX ± 0.10 FRAC ± 1/64		
			XXX ± 0.05 ANG ± 1° 30' FINISH V		
			SCALE 7/8" = 1"		
			SHT 2 OF 6		
			WANG PART NUMBER	210-7380	
			SIZE	C	
			DRAWING NUMBER	7380	
			REV	2	

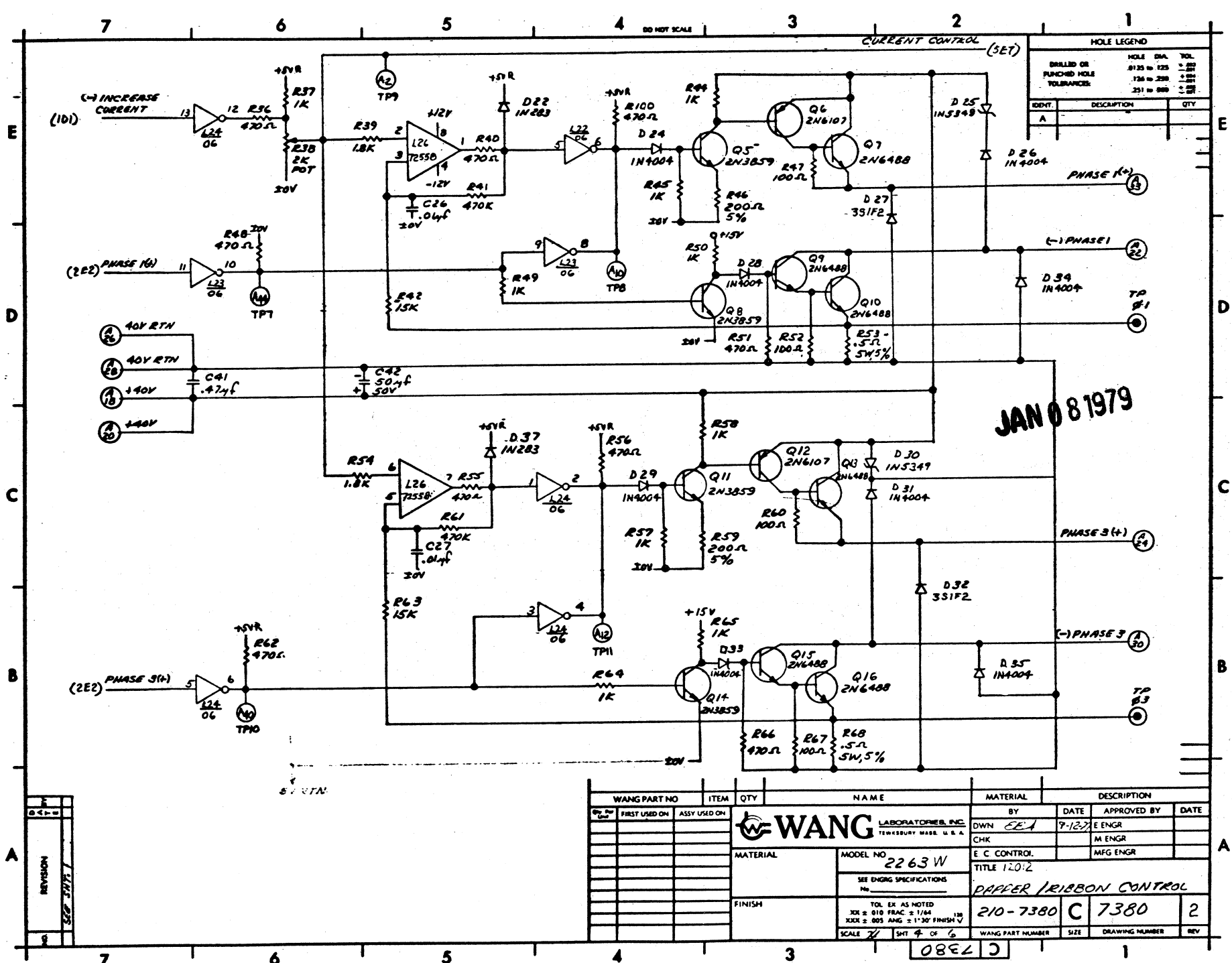


HOLE LEGEND		
DRILLED OR	HOLE DIA.	TOL.
FURNISHED HOLE	.015 to .125	±.002
TOLERANCES:	.130 to .250	±.003
	.251 to .300	±.004

WANG PART NO.	ITEM	QTY	NAME	MATERIAL	DESCRIPTION
089L					

BY	DATE	APPROVED BY	DATE
DWN EBA	7-12-77	E ENGR	
CHK		M ENGR	
E C CONTROL		MFG ENGR	

MODEL NO.	TITLE	WANG PART NUMBER	SIZE	DRAWING NUMBER	REV
2263 W	PAPER/RIBBON CONTROL	210-7380	C	7380	2

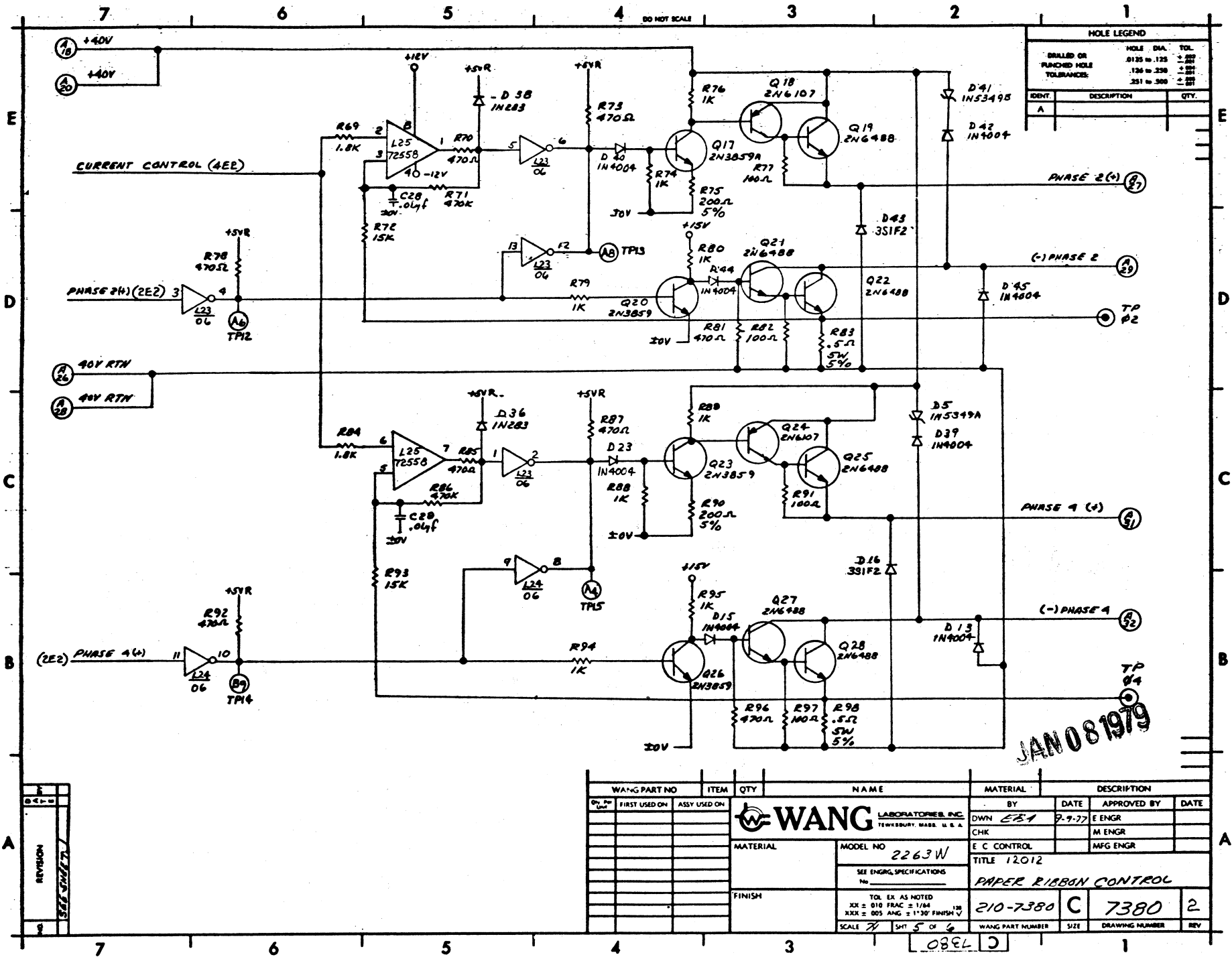


HOLE LEGEND		
DRILLED OR	HOLE DIA.	TOL.
FURNISHED HOLE	.015 to .125	±.002
TOLERANCES:	.130 to .250	±.003
	.251 to .300	±.004

WANG PART NO.	ITEM	QTY	NAME	MATERIAL	DESCRIPTION
089L					

BY	DATE	APPROVED BY	DATE
DWN EBA	7-12-77	E ENGR	
CHK		M ENGR	
E C CONTROL		MFG ENGR	

MODEL NO.	TITLE	WANG PART NUMBER	SIZE	DRAWING NUMBER	REV
2263 W	PAPER/RIBBON CONTROL	210-7380	C	7380	2



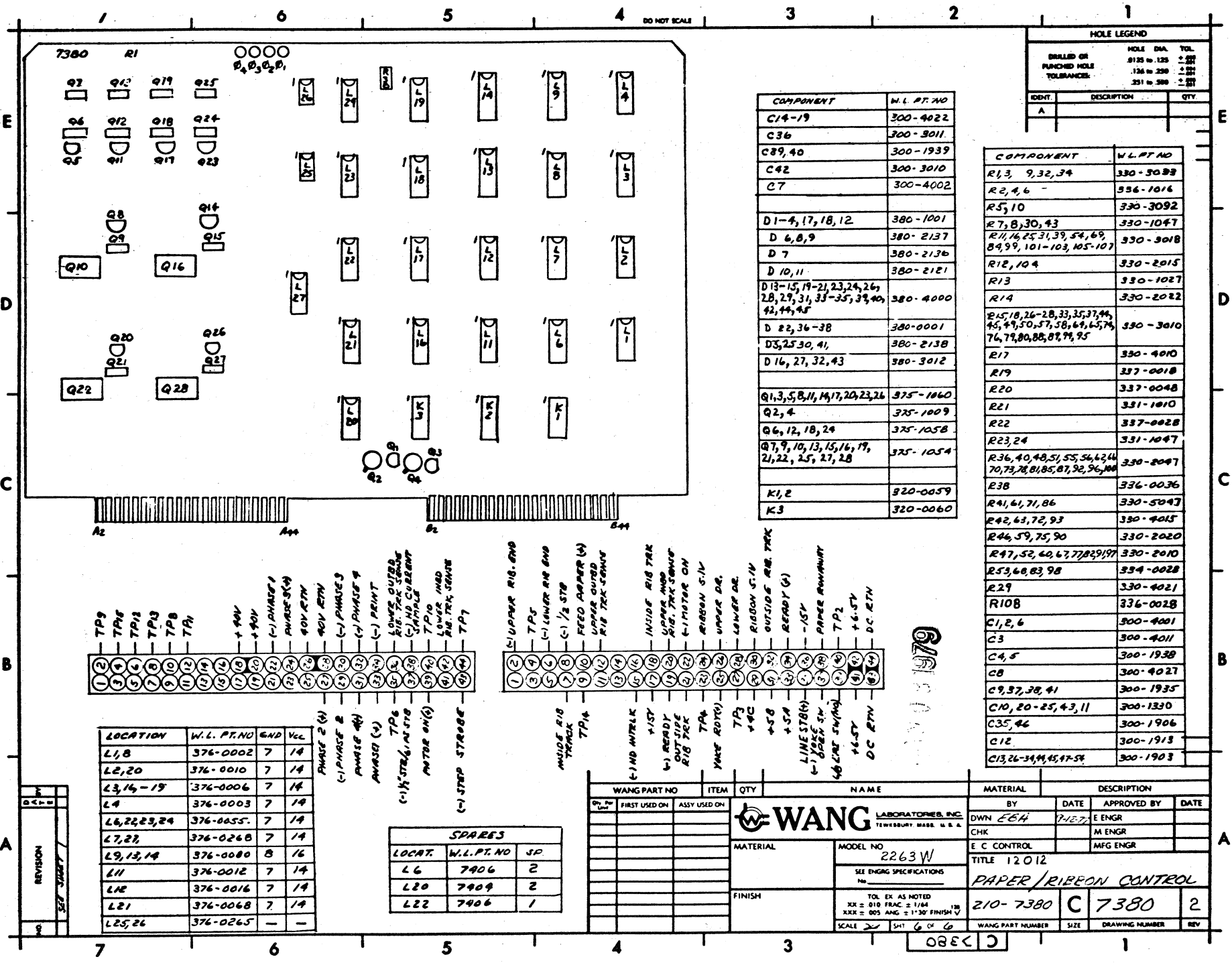
JAN 08 1979

REVISION	DATE	BY	DESCRIPTION
1	12/17/77	EB1	SEE SHEET 1

WANG PART NO.	ITEM	QTY	NAME	MATERIAL	DESCRIPTION
089L					

WANG PART NO.	ITEM	QTY	NAME	MATERIAL	DESCRIPTION
089L					

WANG PART NO.	ITEM	QTY	NAME	MATERIAL	DESCRIPTION
089L					



JAN 08 1979

REVISION	DATE	BY	DESCRIPTION
1	12/17/77	EB1	SEE SHEET 1

WANG PART NO.	ITEM	QTY	NAME	MATERIAL	DESCRIPTION
089L					

WANG PART NO.	ITEM	QTY	NAME	MATERIAL	DESCRIPTION
089L					

WANG PART NO.	ITEM	QTY	NAME	MATERIAL	DESCRIPTION
089L					

LOCATION	W.L. PT. NO.	END	VOL.
L1,8	376-0002	7	14
L2,20	376-0010	7	14
L3,14-19	376-0006	7	14
L4	376-0003	7	14
L6,22,23,24	376-0055	7	14
L7,22	376-0268	7	14
L9,13,14	376-0080	8	16
L11	376-0012	7	14
L18	376-0016	7	14
L21	376-0068	7	14
L25,26	376-0265	-	-

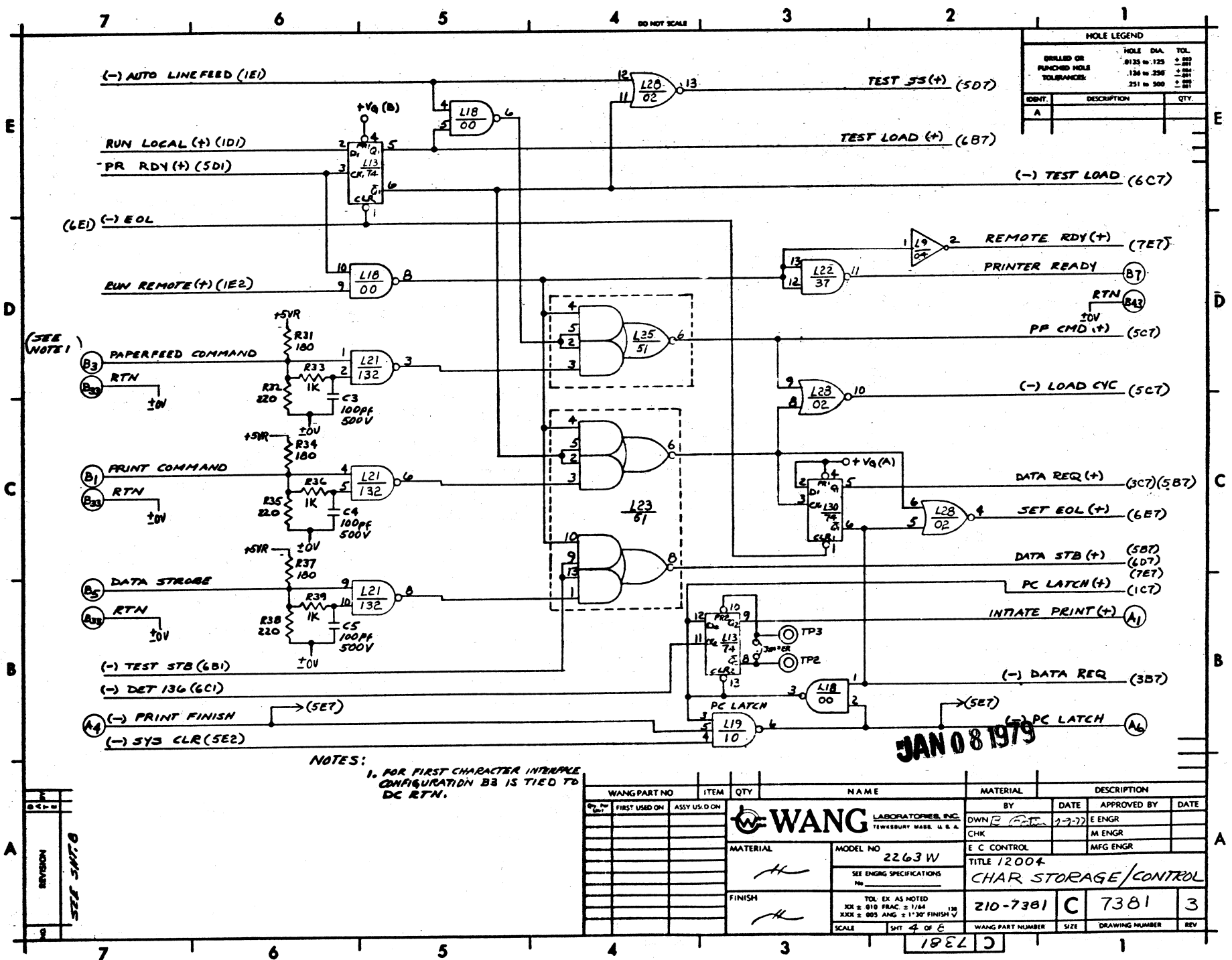
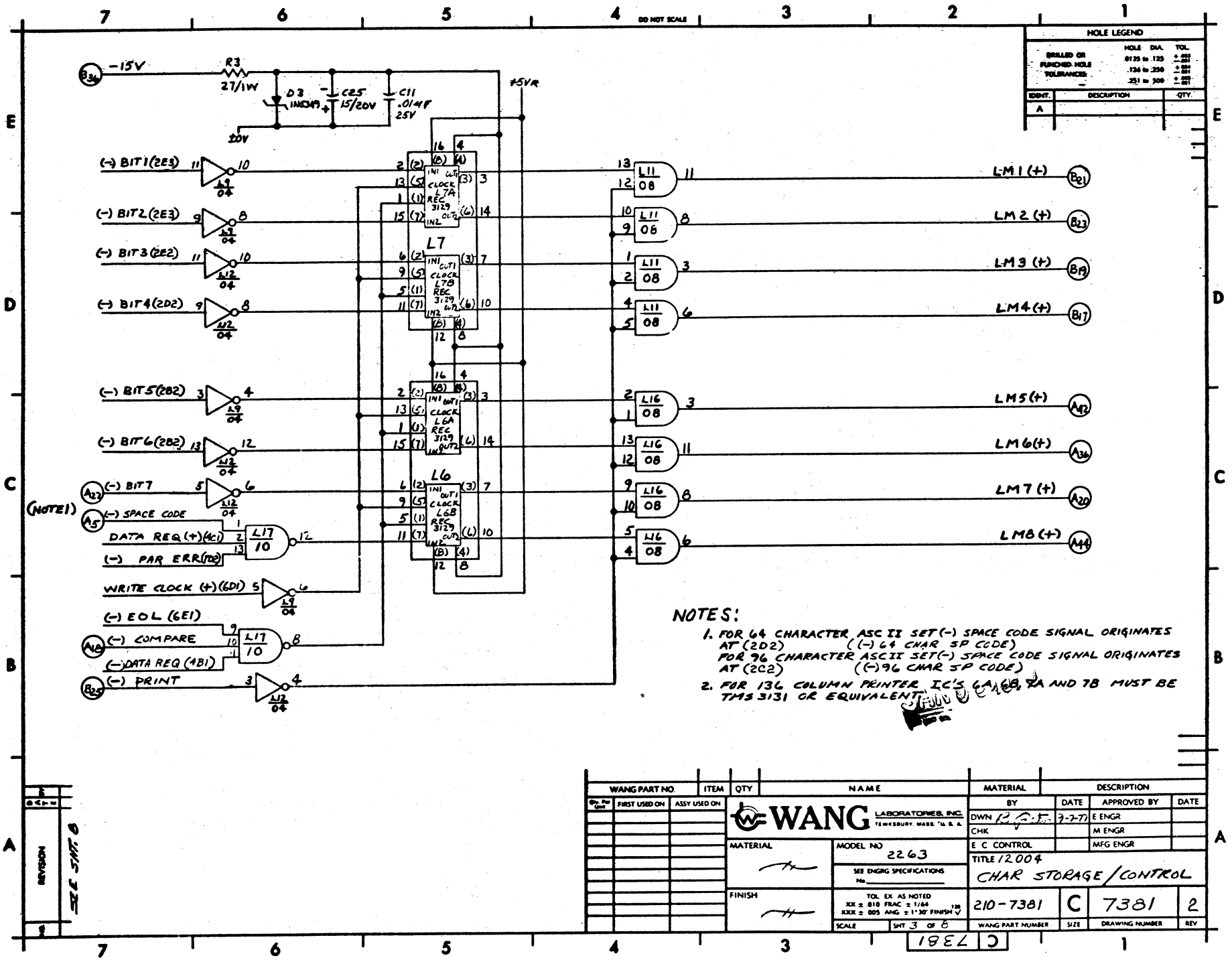
SPARES		
LOCAT.	W.L. PT. NO.	SP.
L6	7406	2
L20	7409	2
L22	7406	1

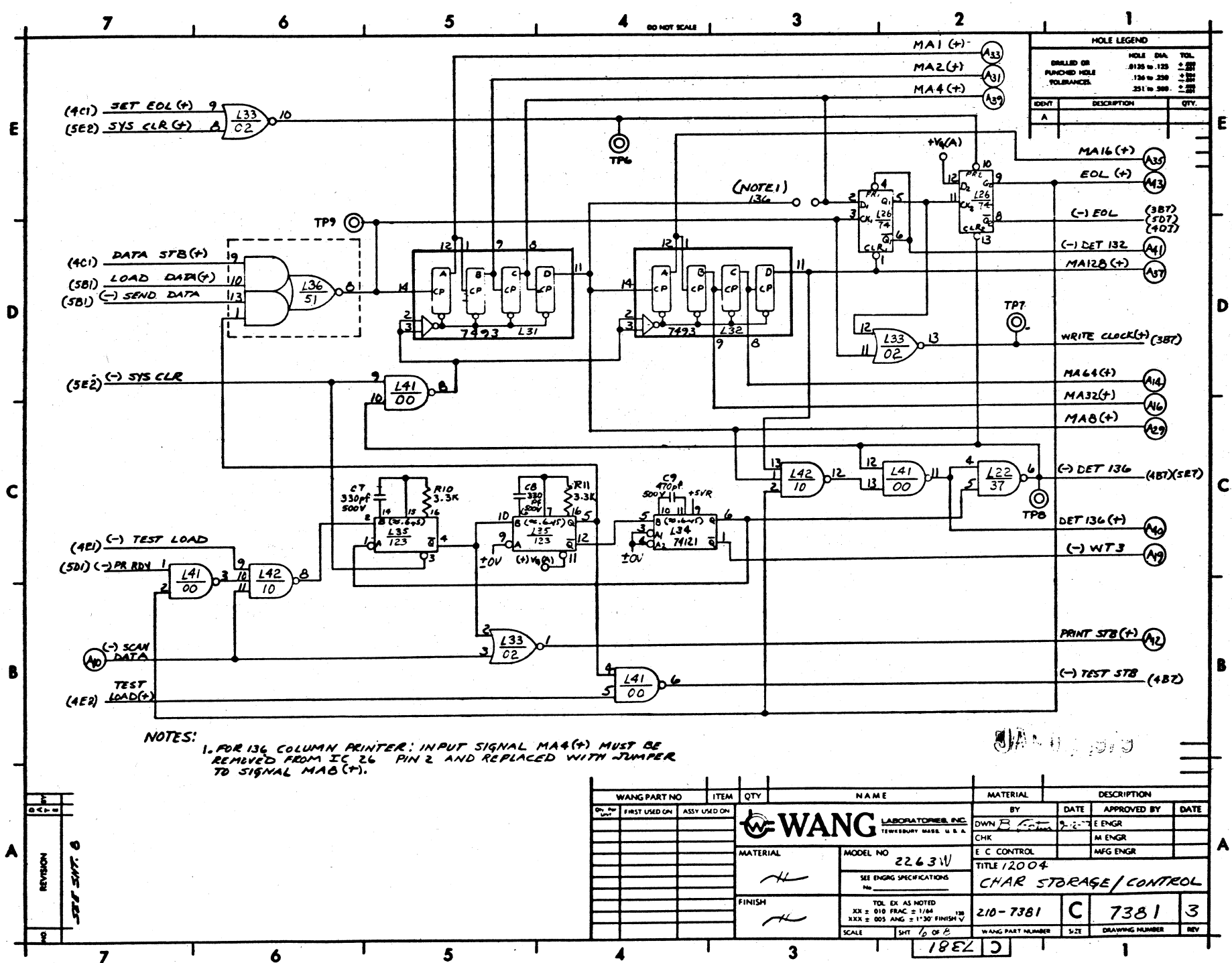
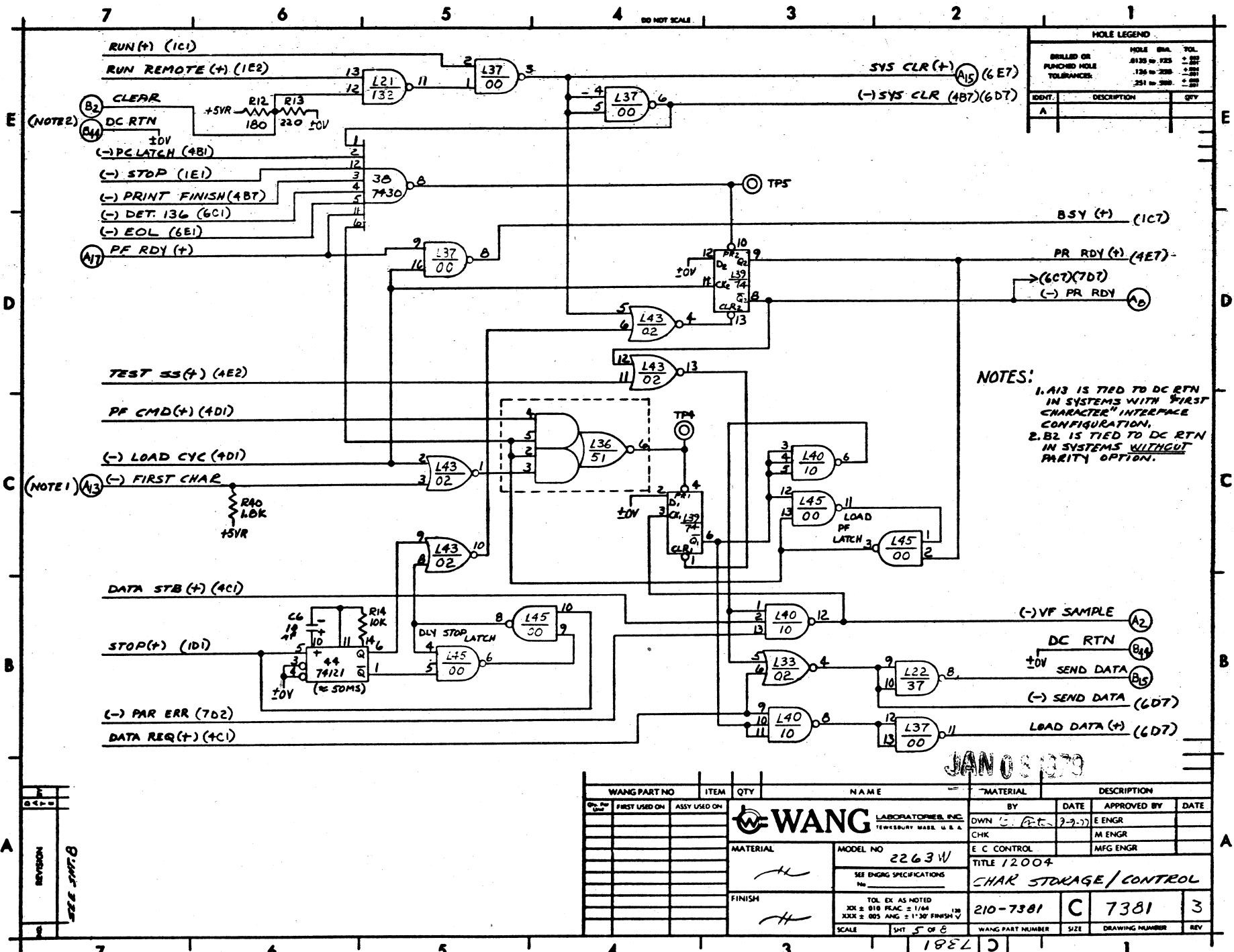
COMPONENT	W.L. PT. NO.
C14-19	300-4022
C36	300-3011
C89,90	300-1939
C42	300-3010
C7	300-4002
D1-4,7,18,12	380-1001
D6,8,9	380-2137
D7	380-2136
D10,11	380-2121
D13-15,19-21,23,24,26,28,29,31,33-35,39,40,42,44,45	380-4000
D22,36-38	380-0001
D3,25,30,41	380-2138
D16,27,32,43	380-3012
Q1,3,5,8,11,14,17,20,23,26	375-1060
Q2,4	375-1009
Q6,12,18,24	375-1058
Q7,9,10,13,15,16,19,21,22,25,27,28	375-1054
K1,2	320-0059
K3	320-0060
R1,3,9,32,34	330-5089
R2,4,6	536-1016
R5,10	330-3092
R7,8,30,43	330-1047
R11,14,25,31,39,54,69,84,99,101-103,105-107	330-3018
R12,104	330-2015
R13	330-1027
R14	330-2022
R15,18,26-28,33,35,37,44,46,47,50,57,58,64,65,74,76,78,80,88,89,95	330-3010
R17	330-4010
R19	337-0018
R20	337-0048
R21	331-1010
R22	337-0028
R23,24	331-1047
R26,40,48,51,55,56,62,64,70,73,78,81,85,87,92,96,100	330-2047
R28	336-0036
R41,61,71,86	330-5047
R42,63,72,93	330-4015
R46,59,75,90	330-2020
R47,52,62,67,77,89,97	330-2010
R53,68,83,98	334-0028
R29	330-4021
R108	336-0028
C1,2,6	300-4001
C3	300-4011
C4,5	300-1938
C8	300-4027
C9,37,38,41	300-1935
C10,20-25,43,11	300-1330
C35,46	300-1906
C12	300-1913
C13,26-34,44,45,47-54	300-1903

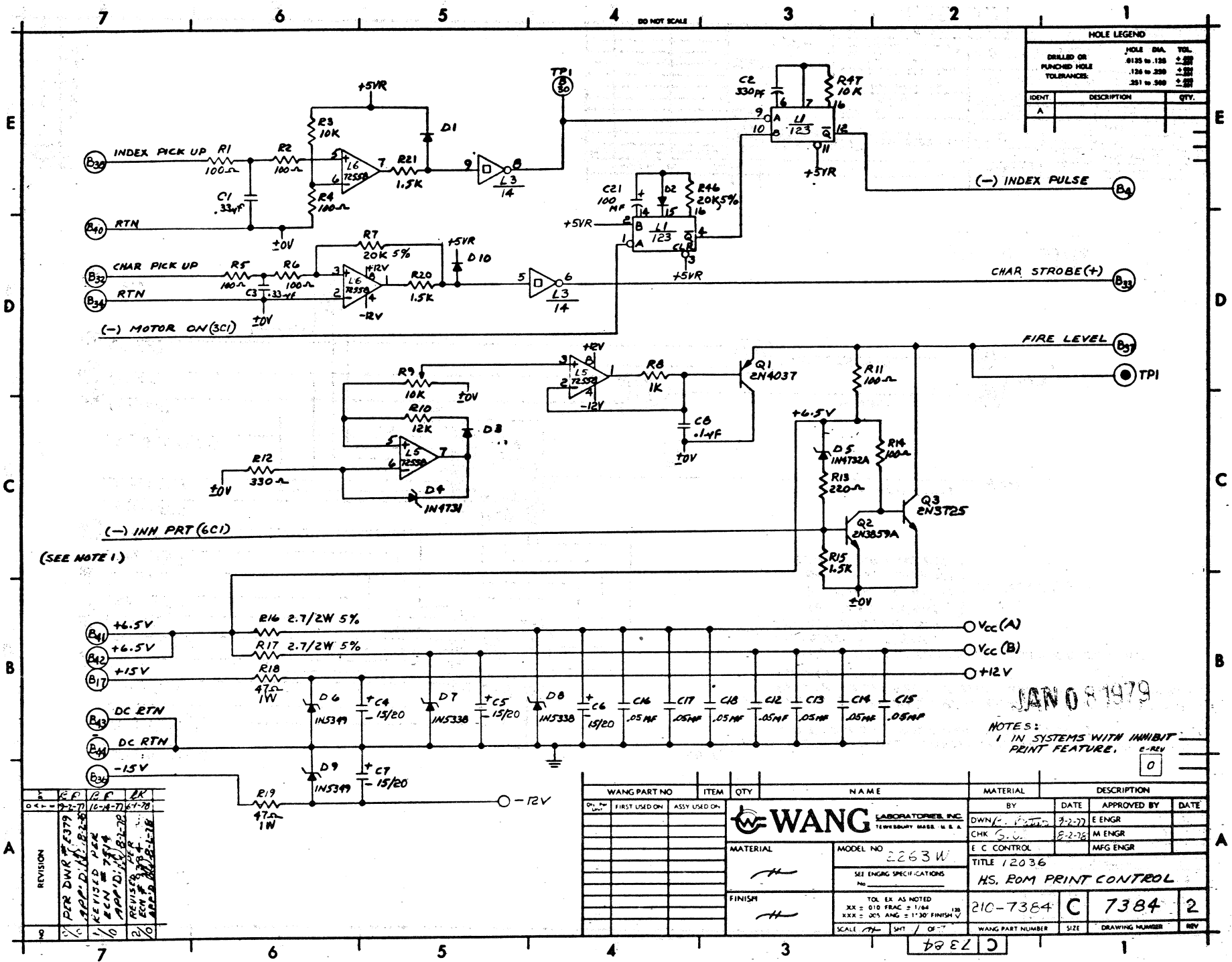
WANG PART NO.	ITEM	QTY	NAME	MATERIAL	DESCRIPTION
089L					

WANG PART NO.	ITEM	QTY	NAME	MATERIAL	DESCRIPTION
089L					

WANG PART NO.	ITEM	QTY	NAME	MATERIAL	DESCRIPTION
089L					



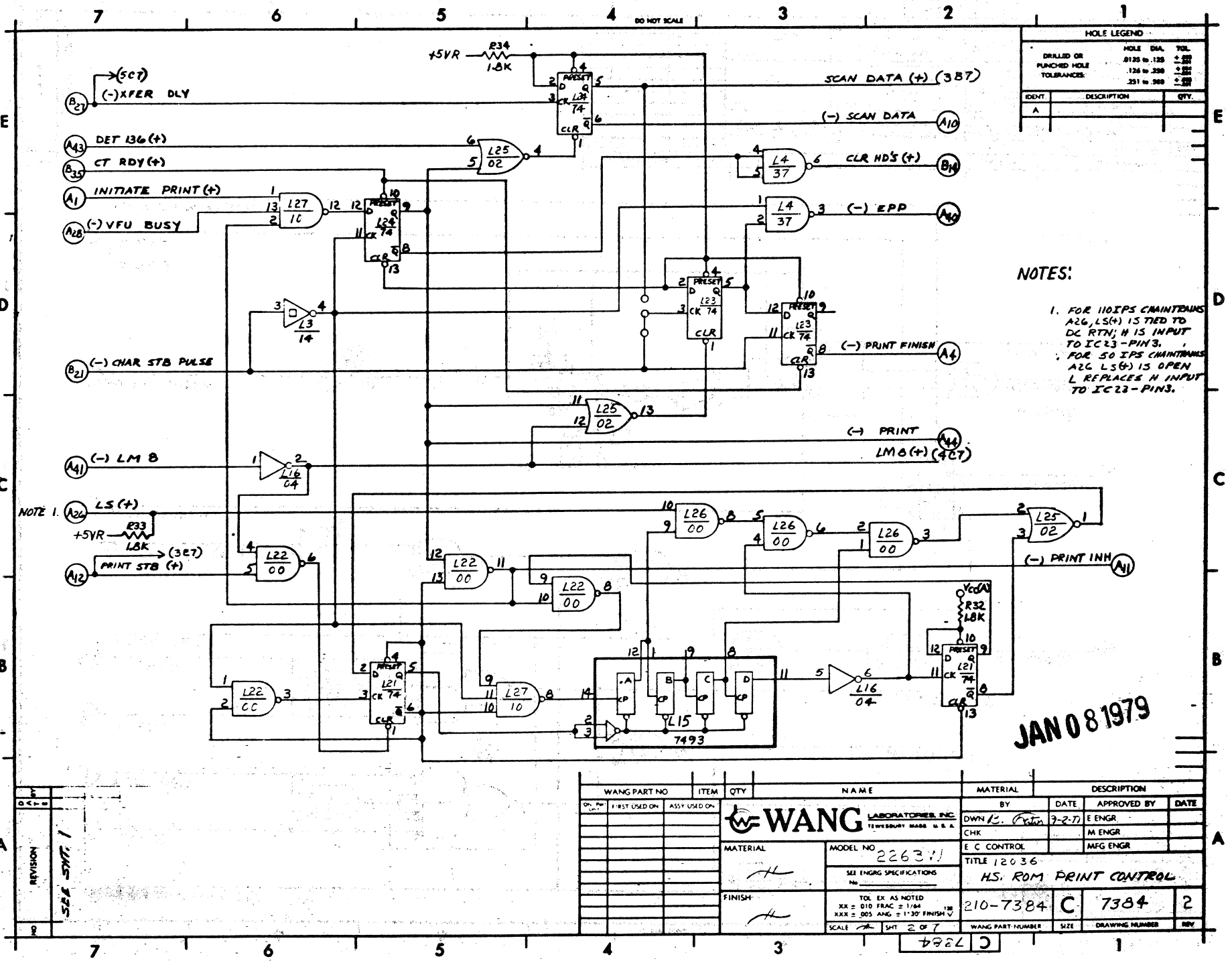




HOLE LEGEND		
DRILLED OR PUNCHED HOLE	HOLE DIA.	TOL.
	.0125 to .125	±.005
	.125 to .250	±.005
	.251 to .500	±.005
IDENT	DESCRIPTION	QTY.
A		

REVISION	DATE	BY	DESCRIPTION
1	10-27-77	WJ	REVISED FOR 110 IPS
2	11-17-77	WJ	REVISED FOR 50 IPS
3	12-17-77	WJ	REVISED FOR 30 IPS
4	1-8-78	WJ	REVISED FOR 150 IPS
5	1-10-78	WJ	REVISED FOR 300 IPS
6	1-12-78	WJ	REVISED FOR 600 IPS
7	1-15-78	WJ	REVISED FOR 1200 IPS

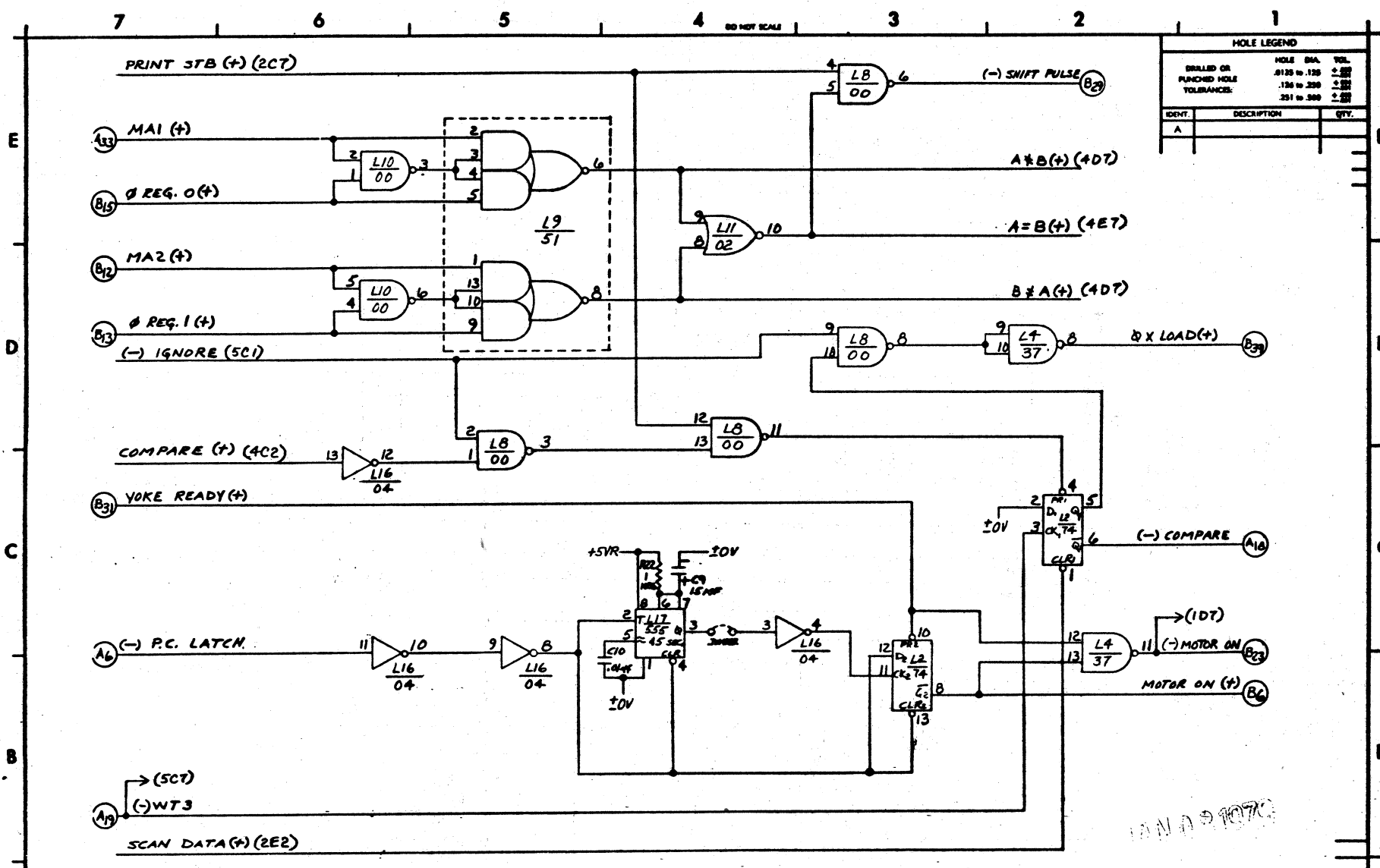
WANG PART NO.	ITEM	QTY.	NAME	MATERIAL	DESCRIPTION
2263 W			LABORATORIES INC.		
			TEMPERATURE MADE U.S.A.		
			BY	DATE	APPROVED BY
			DOWN	2-2-77	E ENGR
			CHK	2-2-78	M ENGR
			E C CONTROL		MFG ENGR
			MODEL NO.	2263 W	TITLE 12036
			SEE ENGR SPECIFICATIONS		HS. ROM PRINT CONTROL
			FINISH		
			TOL. EX. AS NOTED		
			XX = 010 FRAC. = 1/64		
			XXX = 005 ANG. = 1/32 FINISH		
			SCALE	1/8"	
			SHT	2 OF 7	
			WANG PART NUMBER	210-7384	C 7384 2
			SIZE		
			DRAWING NUMBER		
			REV		



HOLE LEGEND		
DRILLED OR PUNCHED HOLE	HOLE DIA.	TOL.
	.0125 to .125	±.005
	.125 to .250	±.005
	.251 to .500	±.005
IDENT	DESCRIPTION	QTY.
A		

REVISION	DATE	BY	DESCRIPTION
1	1-8-78	WJ	REVISED FOR 110 IPS
2	1-10-78	WJ	REVISED FOR 50 IPS
3	1-12-78	WJ	REVISED FOR 30 IPS
4	1-15-78	WJ	REVISED FOR 150 IPS
5	1-17-78	WJ	REVISED FOR 300 IPS
6	1-18-78	WJ	REVISED FOR 600 IPS
7	1-20-78	WJ	REVISED FOR 1200 IPS

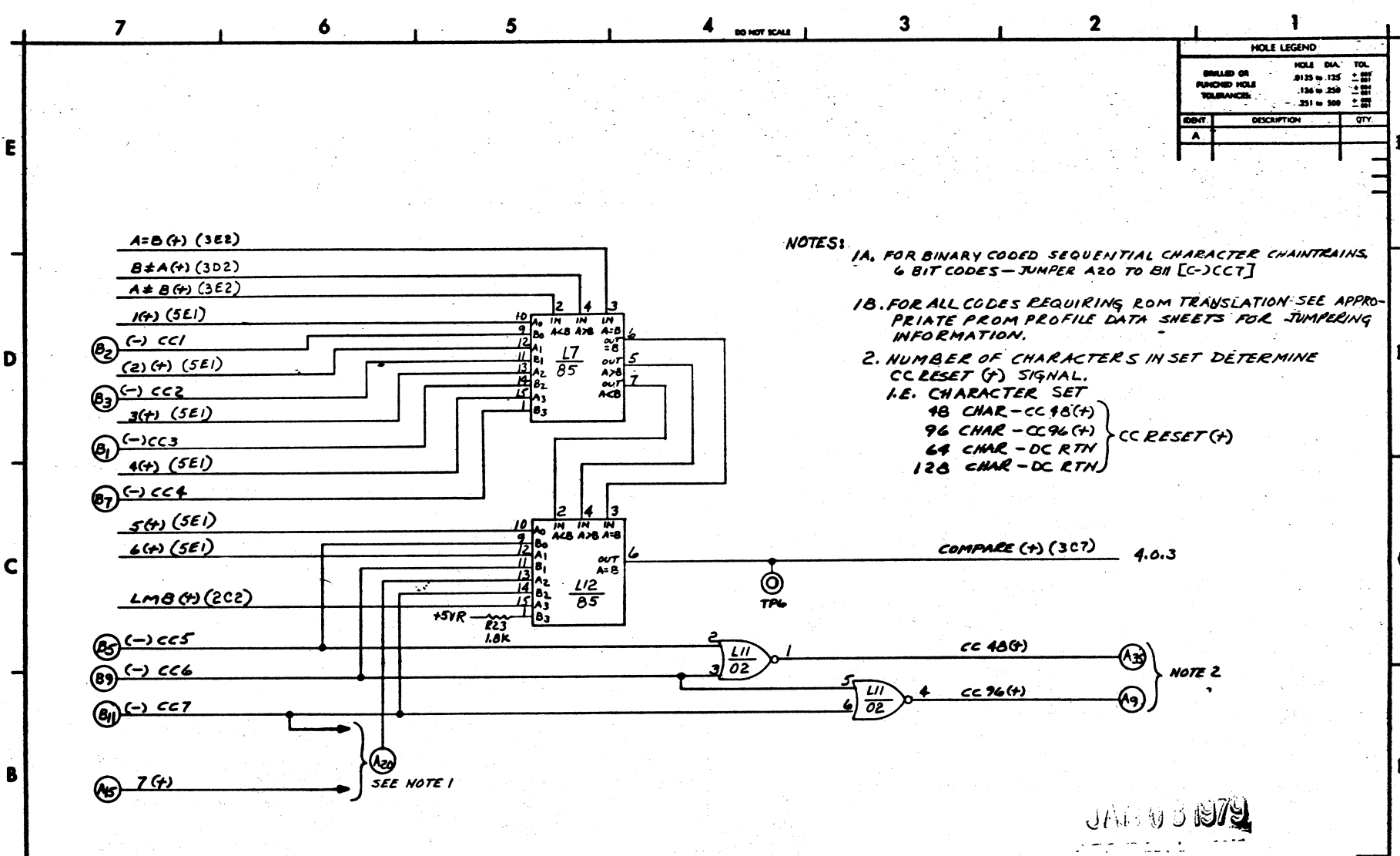
WANG PART NO.	ITEM	QTY.	NAME	MATERIAL	DESCRIPTION
2263 W			LABORATORIES INC.		
			TEMPERATURE MADE U.S.A.		
			BY	DATE	APPROVED BY
			DOWN	2-2-77	E ENGR
			CHK		M ENGR
			E C CONTROL		MFG ENGR
			MODEL NO.	2263 W	TITLE 12036
			SEE ENGR SPECIFICATIONS		HS. ROM PRINT CONTROL
			FINISH		
			TOL. EX. AS NOTED		
			XX = 010 FRAC. = 1/64		
			XXX = 005 ANG. = 1/32 FINISH		
			SCALE	1/8"	
			SHT	2 OF 7	
			WANG PART NUMBER	210-7384	C 7384 2
			SIZE		
			DRAWING NUMBER		
			REV		



HOLE LEGEND		
DRILLED OR PUNCHED HOLE	HOLE DIA.	TOL.
	.0125 to .125	±.001
	.126 to .250	±.002
	.251 to .500	±.003

WANG PART NO	ITEM	QTY	NAME	MATERIAL	DESCRIPTION
OP. NO.	FIRST USED ON	ASSY USED ON	WANG LABORATORIES, INC. TEMPE, ARIZONA, U.S.A.		
			MATERIAL	MODEL NO	TITLE
				2263W	H.S. ROM PRINT CONTROL
			FINISH	SCALE	DATE
				1/8" = 1" (30° FINISH)	7-2-77
				SCALE 1/8" = 1" (30° FINISH)	DATE
				SCALE 1/8" = 1" (30° FINISH)	DATE
				SCALE 1/8" = 1" (30° FINISH)	DATE

REVISION	DATE	BY
1		

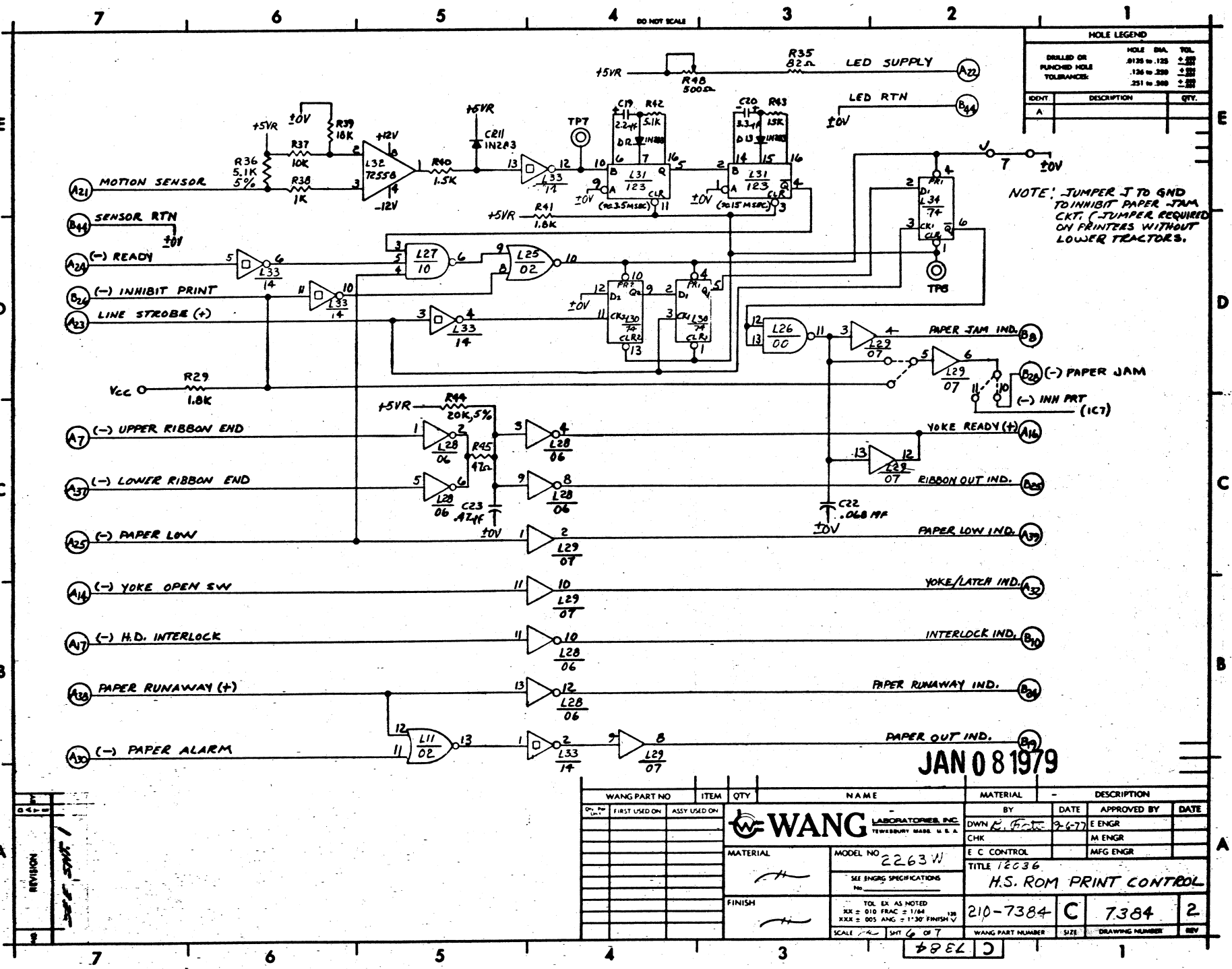
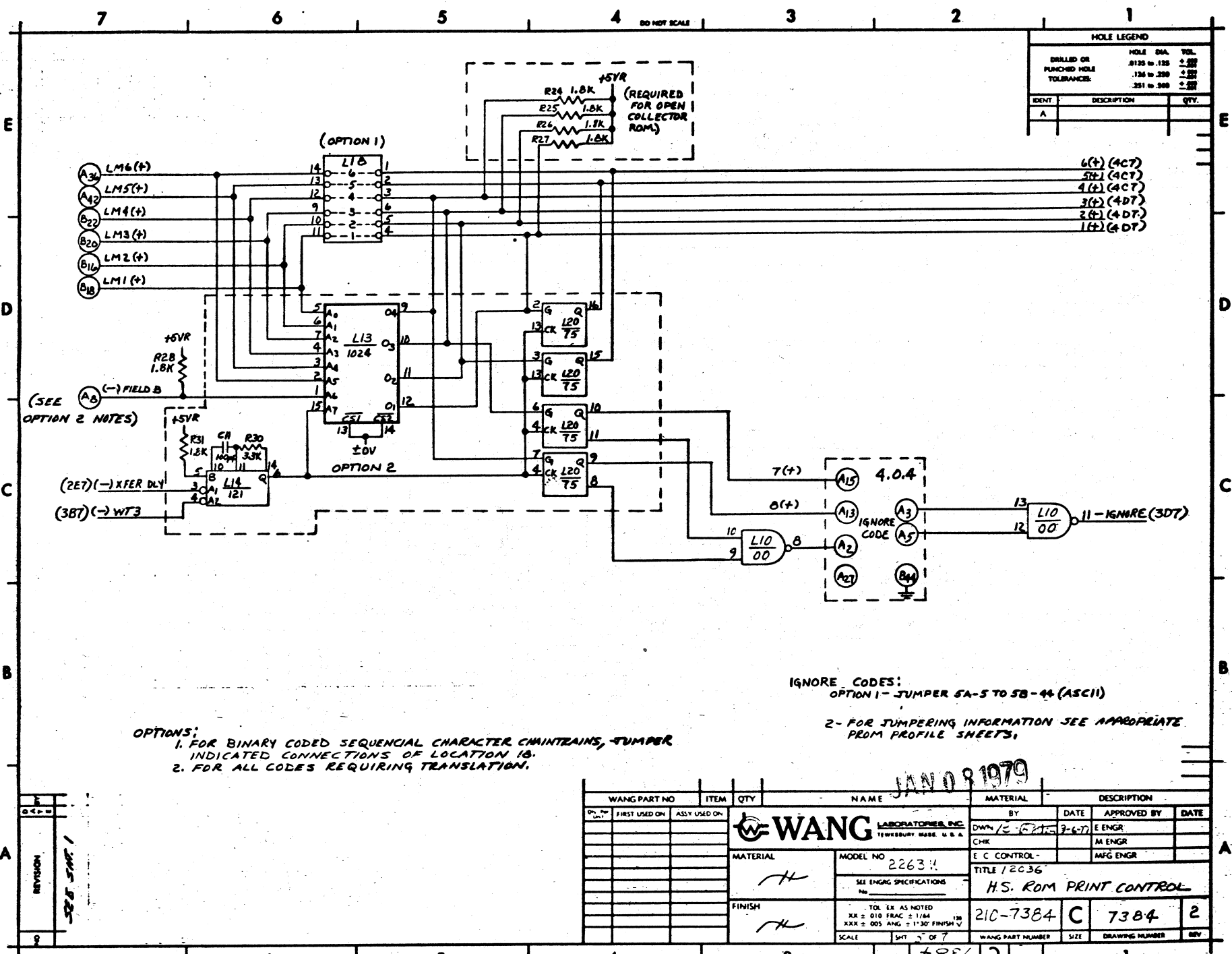


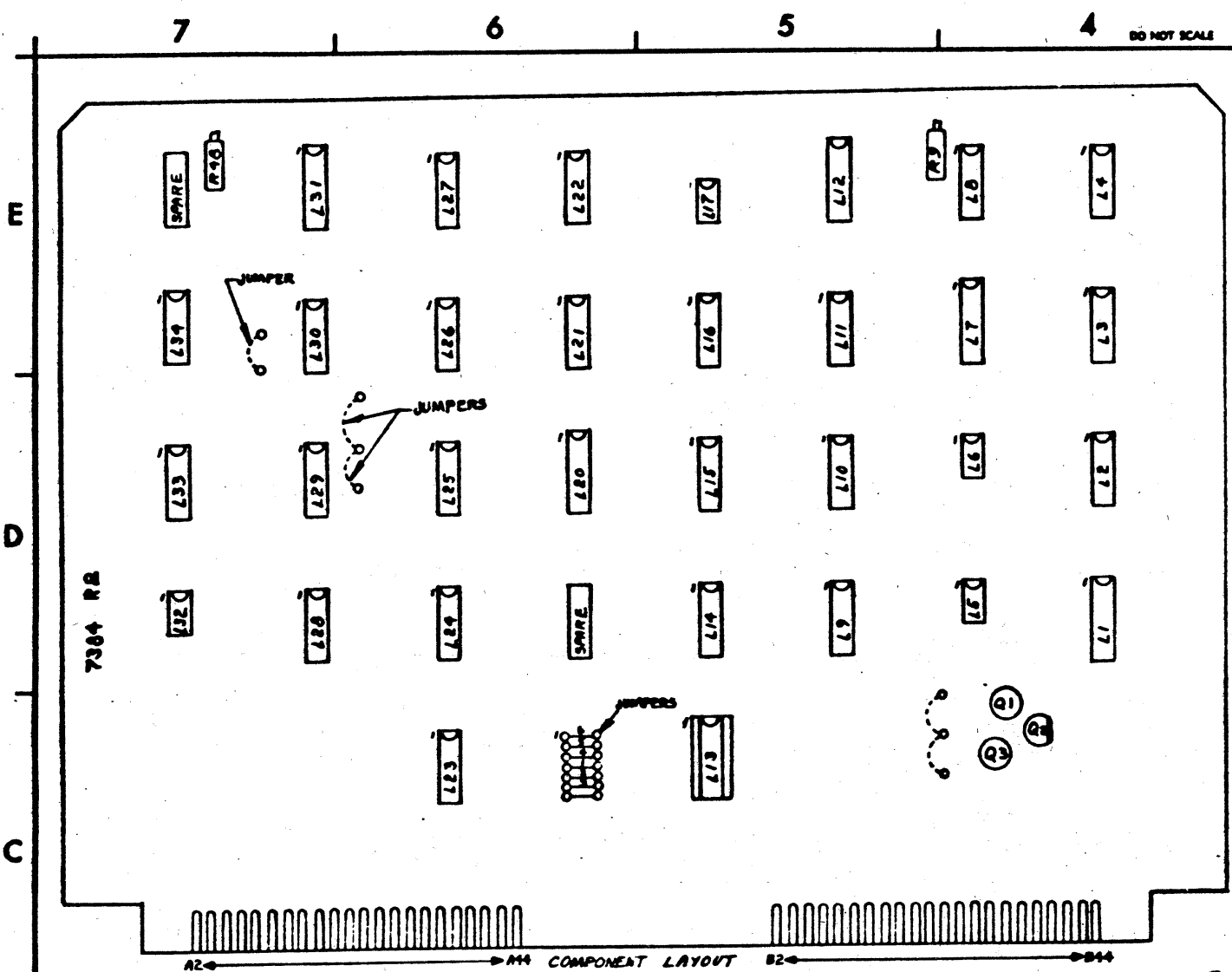
- NOTES:
- FOR BINARY CODED SEQUENTIAL CHARACTER CHAINTRAINS, 6 BIT CODES - JUMPER A20 TO B11 [C-]CC7
 - FOR ALL CODES REQUIRING ROM TRANSLATION - SEE APPROPRIATE PROFILE DATA SHEETS FOR JUMPING INFORMATION.
2. NUMBER OF CHARACTERS IN SET DETERMINE CC RESET (+) SIGNAL.
- I.E. CHARACTER SET
- 48 CHAR - CC 48(+)
 - 96 CHAR - CC 96(+)
 - 64 CHAR - DC RTH
 - 128 CHAR - DC RTH

WANG PART NO	ITEM	QTY	NAME	MATERIAL	DESCRIPTION
OP. NO.	FIRST USED ON	ASSY USED ON	WANG LABORATORIES, INC. TEMPE, ARIZONA, U.S.A.		
			MATERIAL	MODEL NO	TITLE
				2263W	H.S. ROM PRINT CONTROL
			FINISH	SCALE	DATE
				1/8" = 1" (30° FINISH)	7-2-77
				SCALE 1/8" = 1" (30° FINISH)	DATE
				SCALE 1/8" = 1" (30° FINISH)	DATE

REVISION	DATE	BY
1		

JAN 03 1979





LOCATION	W.L. PART NO.	TEMP. NO. 20V	TEMP. NO. Vc. 15VR
L1,31	376-0080	7	14
L22,23,24, 30,34	376-0006	7	14
L3,33	376-0139	7	14
L4	376-0068	7	14
L5,6,32	376-0265	4	8
L7,12	376-0087	8	16
L8,10,22,26	376-0002	7	14
L9	376-0012	7	14
L11,25	376-0016	7	14
L13	377-0583	8	16
L14	376-0051	7	14
L15	376-0011	10	5
L16	376-0010	7	14
L17	376-0126	1	8
L27	376-0003	7	14
L28	376-0055	7	14
L29	376-0056	7	14
L20	376-0013		

HOLE LEGEND		
DRILLED OR PUNCHED HOLE TOLERANCES:	HOLE DIA.	TOL.
	.015 to .125	±.002
	.126 to .250	±.003
	.251 to .500	±.005

COMPONENT	W.L. PART NO.
C1,3	300-1937
C2	300-1330
C4,5,6,7,9	300-4022
C8	300-1901
C10	300-1903
C11	300-1100
C19	300-4014
C20	300-4016
C21	300-3011
C22	300-1939
C23	300-1935
C12-18	300-1900
Q1	375-0018
Q2	375-1060
Q3	375-1027
L13,20	376-9006

LOCATION	TYPE	SPARES
L3	7414	3
L32	72558	1
L33	7414	1
L34	7474	1

D1,2,3,10	380-1001
D4	380-2134
D5	380-2135
D6,9	380-2138
D7,8	380-2137
D11,12,13	380-0001
R2,4,5,6,11,14,1	330-2010
R3,37,47	330-4010
R7,44,46	330-4021
R8,36	330-3010
R9	336-0037
R10	330-4012
R12	330-2033
R13	330-2022
R15,20,21,40	330-3015
R16,17	337-0028
R18,19	332-1047
R22	330-6010
R23-29,31-34,41	330-3018
R45	330-1047
R46	336-0040
R30	330-3033
R35	330-1082
R36,42	330-3052
R39	330-4018
R43	330-4015

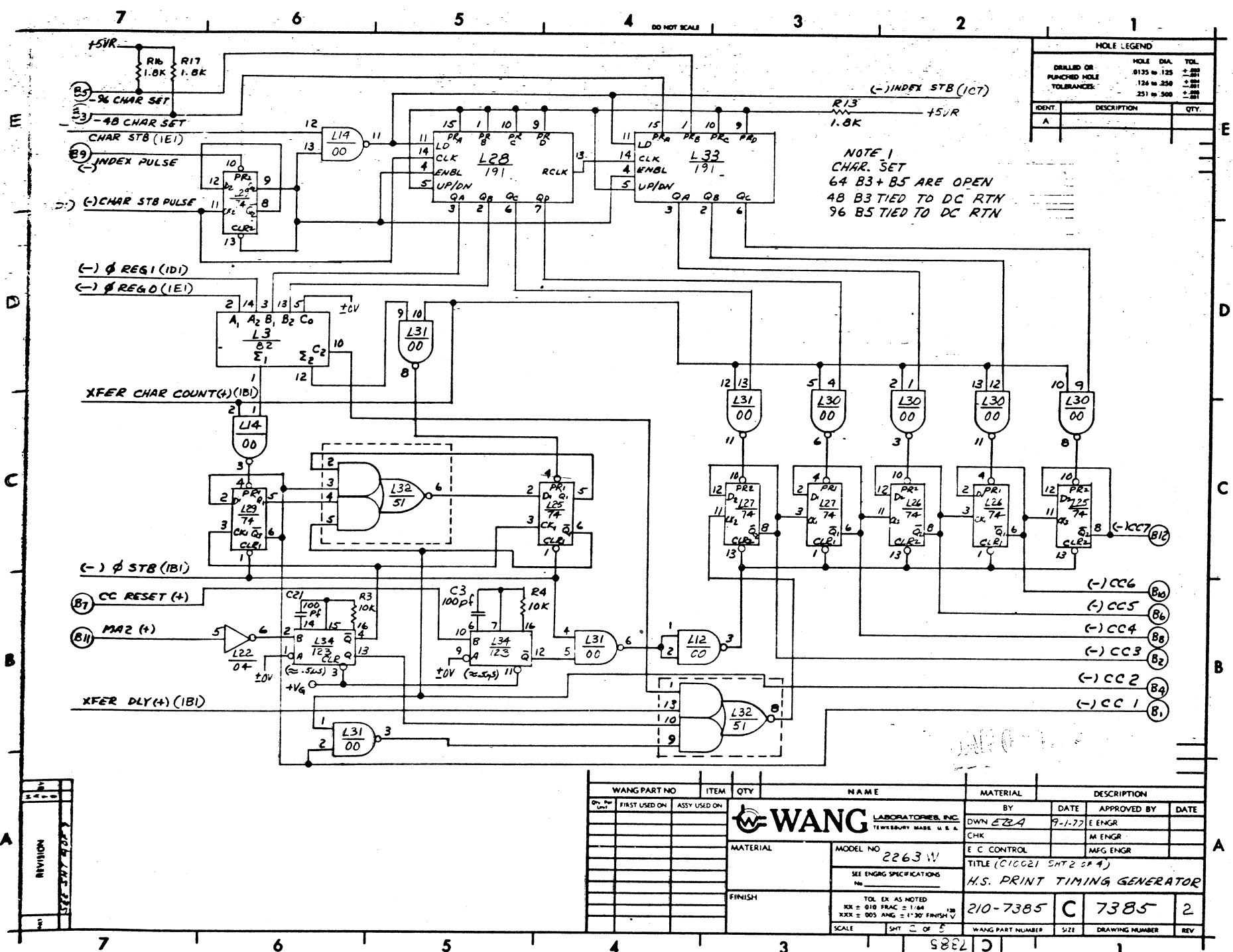
- 1 INITIATE PRINT +
- 2 IGNORE CODE
- 3 IGNORE CODE
- 4 -PRINT FINISH
- 5 -PC LATCH
- 6 -FIELD B
- 7 -SCAN DATA
- 8 -PRINT STB +
- 9 CC96(+)
- 10 -YONE OPEN SW
- 11 -YONE READY +
- 12 -COMPARE
- 13 -WT3
- 14 -MOTION SENSOR
- 15 -LINE STROBE +
- 16 -PAPER LOW
- 17 -N.D. INTERLOCK
- 18 -VPU BUST
- 19 -PAPER ALARM
- 20 -YONE/LATCH INH.
- 21 -LED SUPPLY
- 22 -READY
- 23 -LS+
- 24 -VPU BUST
- 25 -PAPER ALARM
- 26 -YONE/LATCH INH.
- 27 -MA/+
- 28 -CC4B(+)
- 29 -LOWER RIBBON END
- 30 -PAPER LOW IND
- 31 -LM8
- 32 -DET136(+)
- 33 -PRINT
- 34 -CC1
- 35 -INDEX PULSE
- 36 -CC2
- 37 -MOTOR ON +
- 38 -PAPER JAM IND
- 39 -INTERLOCK INH
- 40 -MA2+
- 41 -CLR HDS +
- 42 -LM2+
- 43 -LM1+
- 44 -LM3+
- 45 -LM4+
- 46 -PAPER FORWARD +
- 47 -INHIBIT PRINT
- 48 -PAPER JAM
- 49 -TPI
- 50 -CMAR PICK UP
- 51 -RTN
- 52 -TSV
- 53 -INDEX PICK UP
- 54 -RTN
- 55 -+6.5V
- 56 -DC RTN

- 1 -CC3
- 2 -CC2
- 3 -CC5
- 4 -CC4
- 5 -CC6
- 6 -CC7
- 7 -FIRE 61 +
- 8 -FIRE 60 +
- 9 +15V
- 10 PAPER OUT IND
- 11 -CHAR STB PULSE
- 12 -MOTOR ON
- 13 RIBBON OUT IND
- 14 -XFER DLY
- 15 -SHIFT PULSE
- 16 -YONE READY +
- 17 -CMAR STROBE +
- 18 -CT RBY +
- 19 -FIRE LEVEL
- 20 -BX LOAD +
- 21 +6.5V
- 22 DC RTN

REVISION	DATE	BY

WANG PART NO	ITEM	QTY	NAME	MATERIAL	DESCRIPTION		
	FIRST USED ON						
	ASSY USED ON						
				BY	DATE	APPROVED BY	DATE
				CHK		M ENGR	
			MATERIAL	MODEL NO	E C CONTROL		
				2263W	MFG ENGR		
			FINISH	SEE ENGR SPECIFICATIONS	TITLE 12036		
					H.S. ROM PRINT CONTROL		
				TOL. EX AS NOTED	210-7384	C	7384
				XX ± 010 FRAC ± 1/64			2
				XXX ± 005 ANG ± 1°30' FINISH			
				SCALE 1/8" = 1"			
				SHT 7 OF 7			

1979

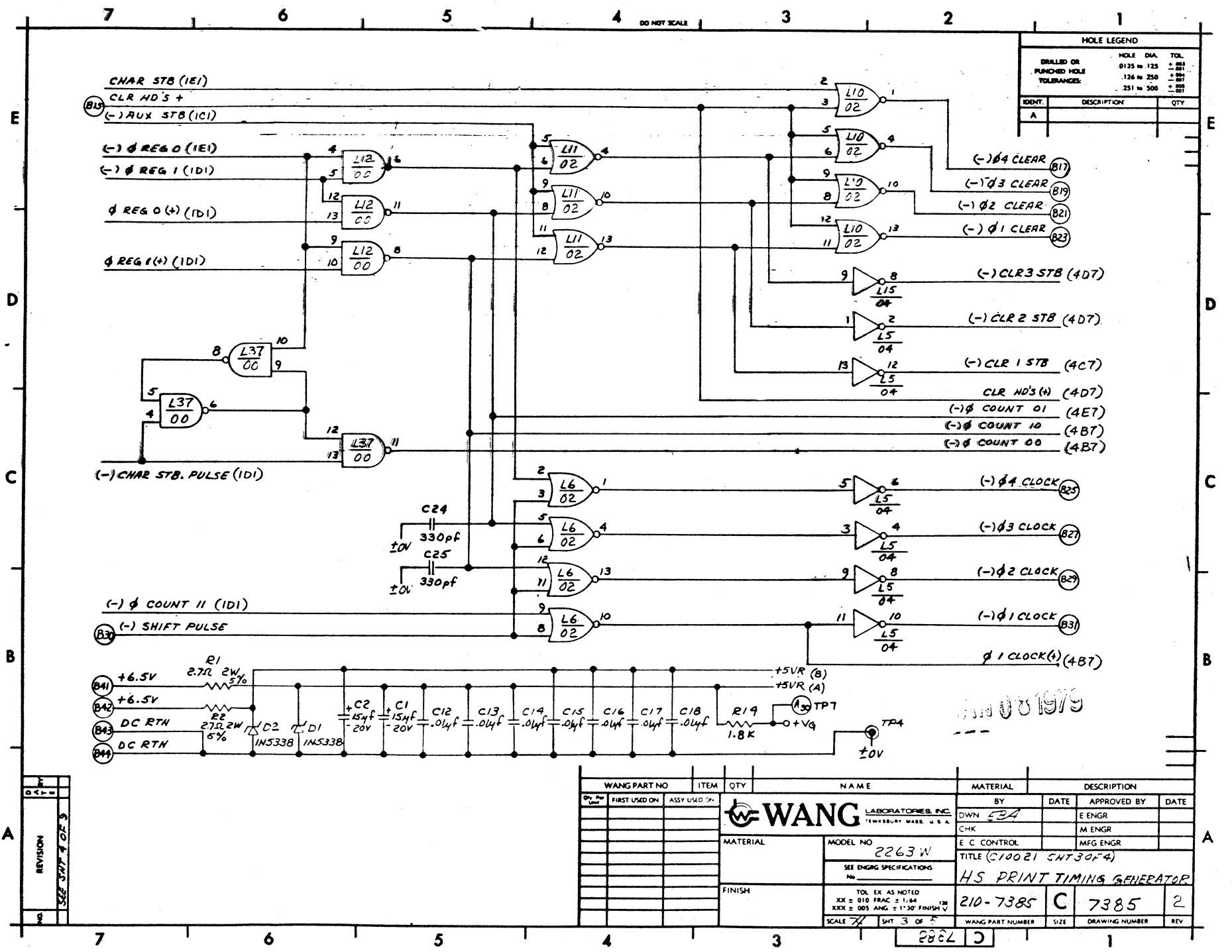


REVISION	DATE	DESCRIPTION
1	7-1-77	SEE SMT 1 OF 3

WANG PART NO.	ITEM	QTY	NAME	MATERIAL	DESCRIPTION
2263 W			WANG LABORATORIES, INC.		
			TEMPERARY MADE U.S.A.		
			MODEL NO. 2263 W		
			SEE ENGR SPECIFICATIONS		
			FINISH		
			TOL. EX. AS NOTED		
			XX = 010 FRAC = 1/64		
			XXX = 005 ANG = 1°30' FINISH		
			SCALE		

BY	DATE	APPROVED BY	DATE
DWN LBA	7-1-77	E ENGR	
CHK		M ENGR	
E C CONTROL		MFG ENGR	

TITLE	WANG PART NUMBER	SIZE	DRAWING NUMBER	REV
H.S. PRINT TIMING GENERATOR	210-7385	C	7385	2

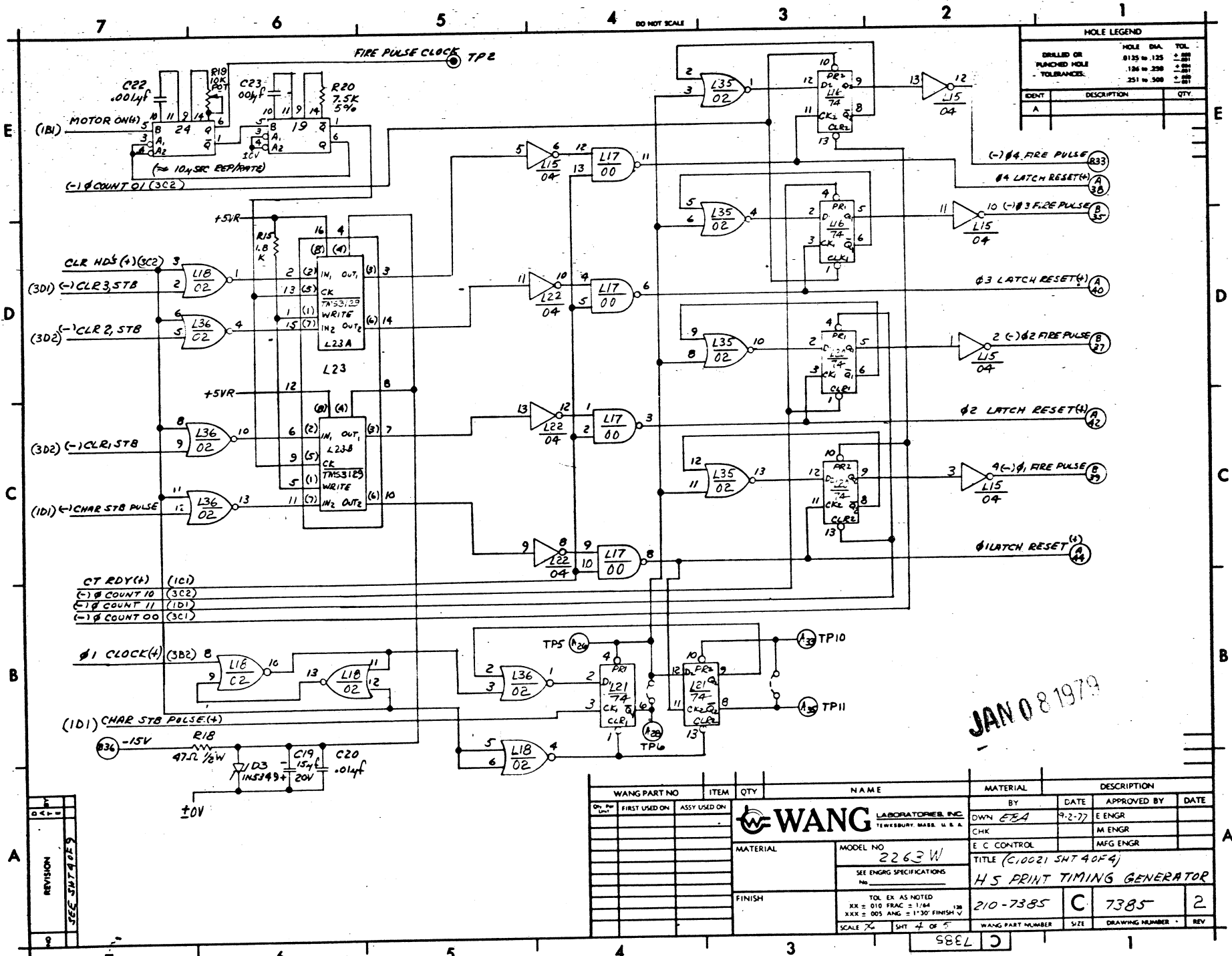


REVISION	DATE	DESCRIPTION
1	7-1-77	SEE SMT 1 OF 3

WANG PART NO.	ITEM	QTY	NAME	MATERIAL	DESCRIPTION
2263 W			WANG LABORATORIES, INC.		
			TEMPERARY MADE U.S.A.		
			MODEL NO. 2263 W		
			SEE ENGR SPECIFICATIONS		
			FINISH		
			TOL. EX. AS NOTED		
			XX = 010 FRAC = 1/64		
			XXX = 005 ANG = 1°30' FINISH		
			SCALE		

BY	DATE	APPROVED BY	DATE
DWN LBA	7-1-77	E ENGR	
CHK		M ENGR	
E C CONTROL		MFG ENGR	

TITLE	WANG PART NUMBER	SIZE	DRAWING NUMBER	REV
H.S. PRINT TIMING GENERATOR	210-7385	C	7385	2

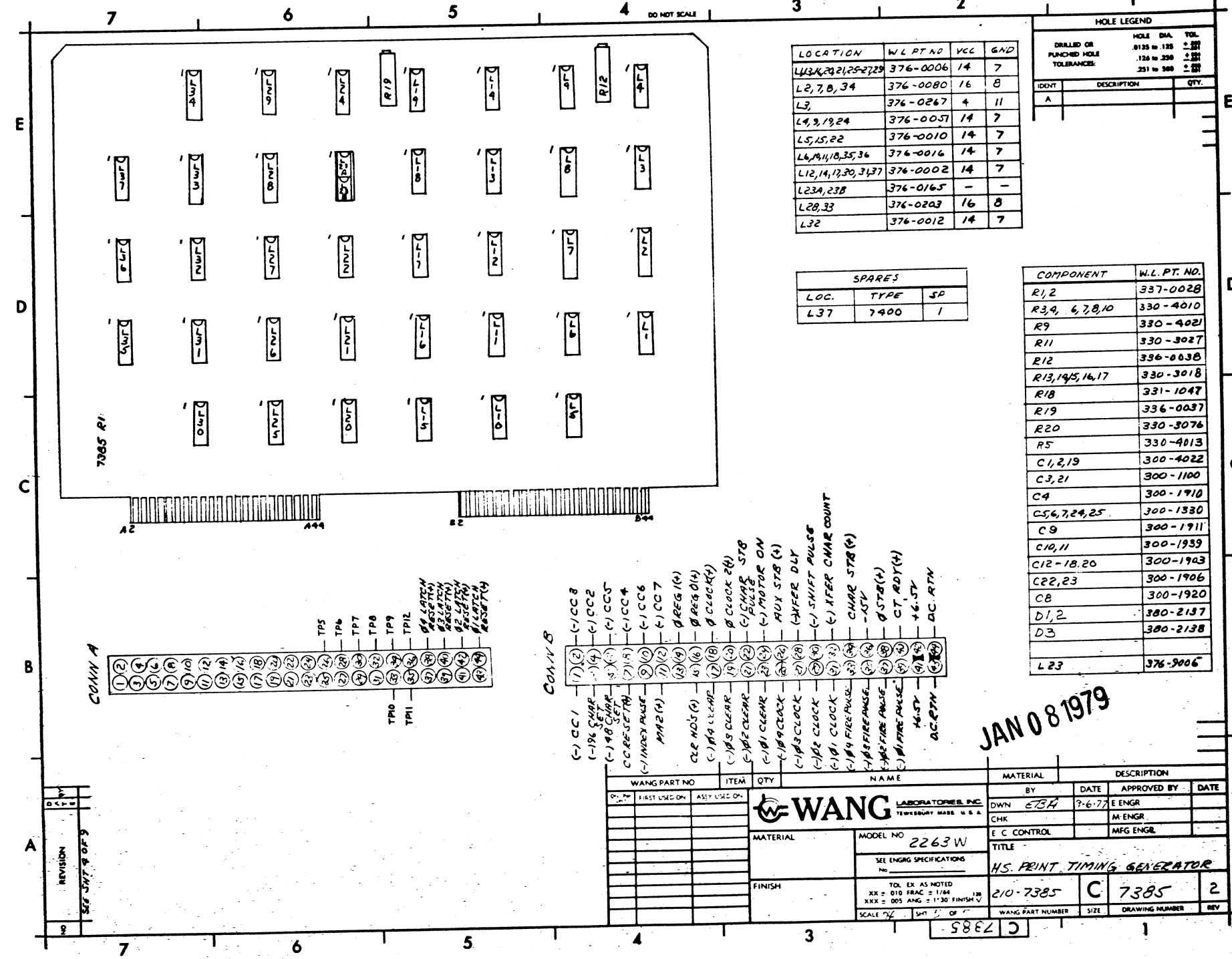


JAN 08 1979

WANG PART NO	ITEM	QTY	NAME	MATERIAL	DESCRIPTION
2263W	LABORATORIES INC				
	TEWENBURY MASS. U.S.A.				
	MODEL NO		2263W		
	SEE ENG SPECIFICATIONS				
	FINISH				
	TOL EX AS NOTED				
	XX ± 0.10 FRAC ± 1/64				
	XXX ± 0.05 ANG ± 1° 30' FINISH				
	SCALE 1/8" = 1"				
	SHT 4 OF 5				

BY	DATE	APPROVED BY	DATE
DWN EBA	9-2-77	E ENGR	
CHK		M ENGR	
E C CONTROL		MFG ENGR	

TITLE	WANG PART NUMBER	SIZE	DRAWING NUMBER	REV
H.S. PRINT TIMING GENERATOR	210-7385	C	7385	2



JAN 08 1979

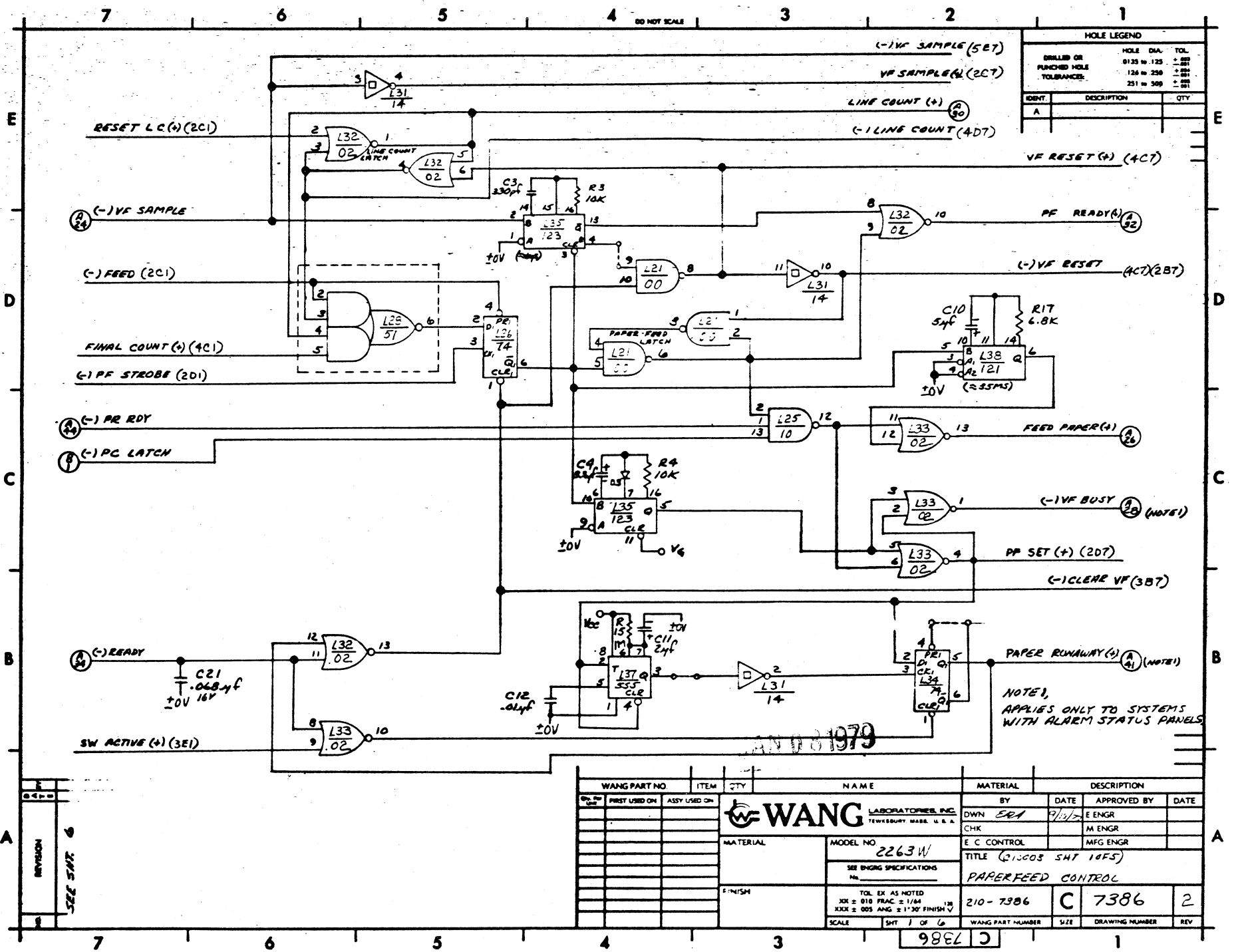
LOCATION	W.L. PT. NO	VCC	GND
L13, 20, 21, 25, 27, 29	376-0006	14	7
L2, 7, 8, 34	376-0080	16	8
L3	376-0267	4	11
L4, 9, 19, 24	376-0051	14	7
L5, 15, 22	376-0010	14	7
L6, 14, 18, 35, 36	376-0016	14	7
L12, 14, 17, 30, 31, 37	376-0002	14	7
L23A, 23B	376-0165	-	-
L20, 33	376-0203	16	8
L32	376-0012	14	7

SPARES		
LOC.	TYPE	SP
L37	7400	1

COMPONENT	W.L. PT. NO.
R1, 2	337-0028
R3, 4, 6, 7, 8, 10	330-4010
R9	330-4021
R11	330-3027
R12	336-0038
R13, 14, 15, 16, 17	330-3018
R18	331-1047
R19	336-0037
R20	330-3076
R5	330-4013
C1, 2, 19	300-4022
C3, 21	300-1100
C4	300-1910
C5, 6, 7, 24, 25	300-1330
C9	300-1911
C10, 11	300-1939
C12-18, 20	300-1943
C22, 23	300-1906
C8	300-1920
D1, 2	380-2137
D3	380-2138
L23	376-3006

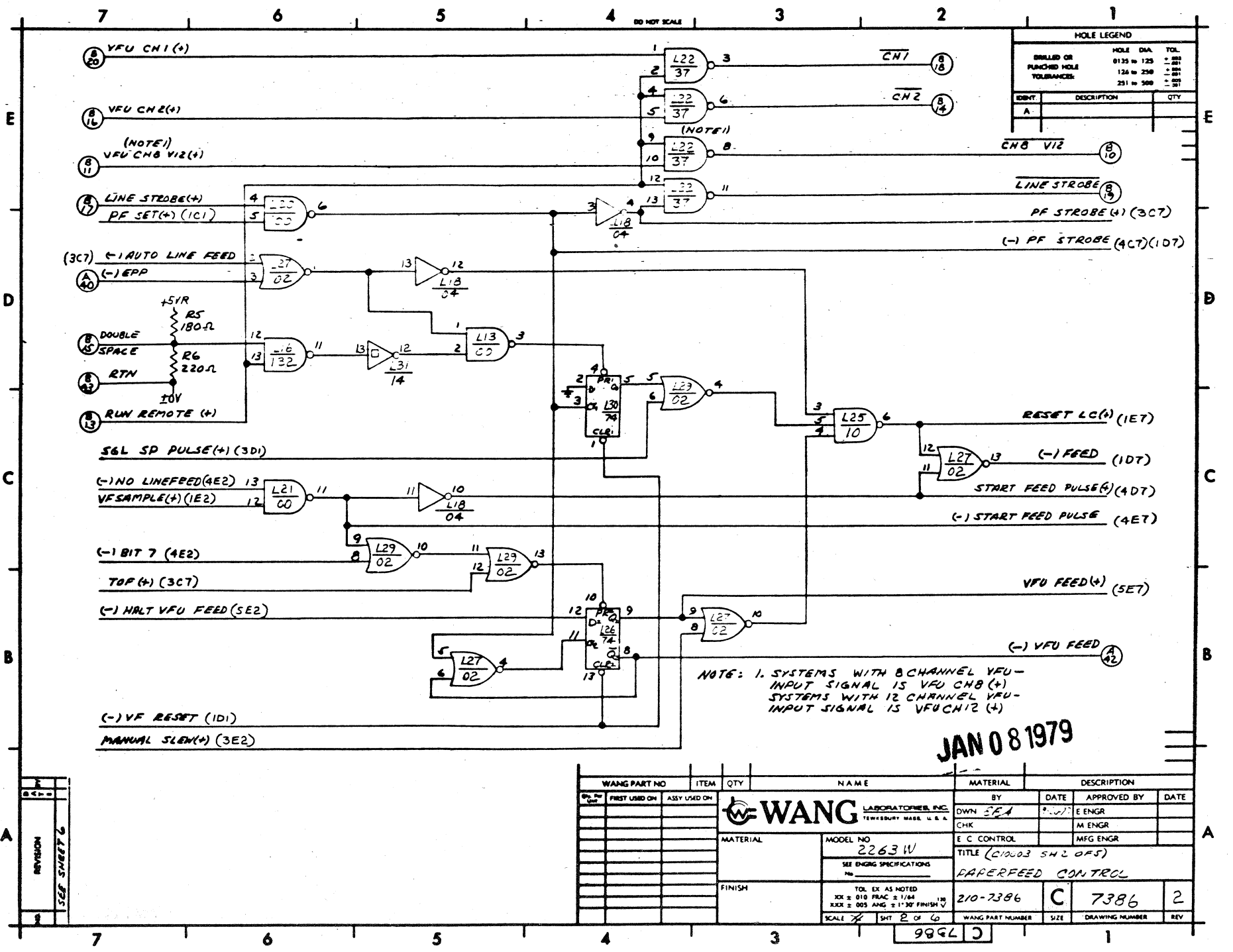
BY	DATE	APPROVED BY	DATE
DWN EBA	9-6-77	E ENGR	
CHK		M ENGR	
E C CONTROL		MFG ENGR	

TITLE	WANG PART NUMBER	SIZE	DRAWING NUMBER	REV
H.S. PRINT TIMING GENERATOR	210-7385	C	7385	2



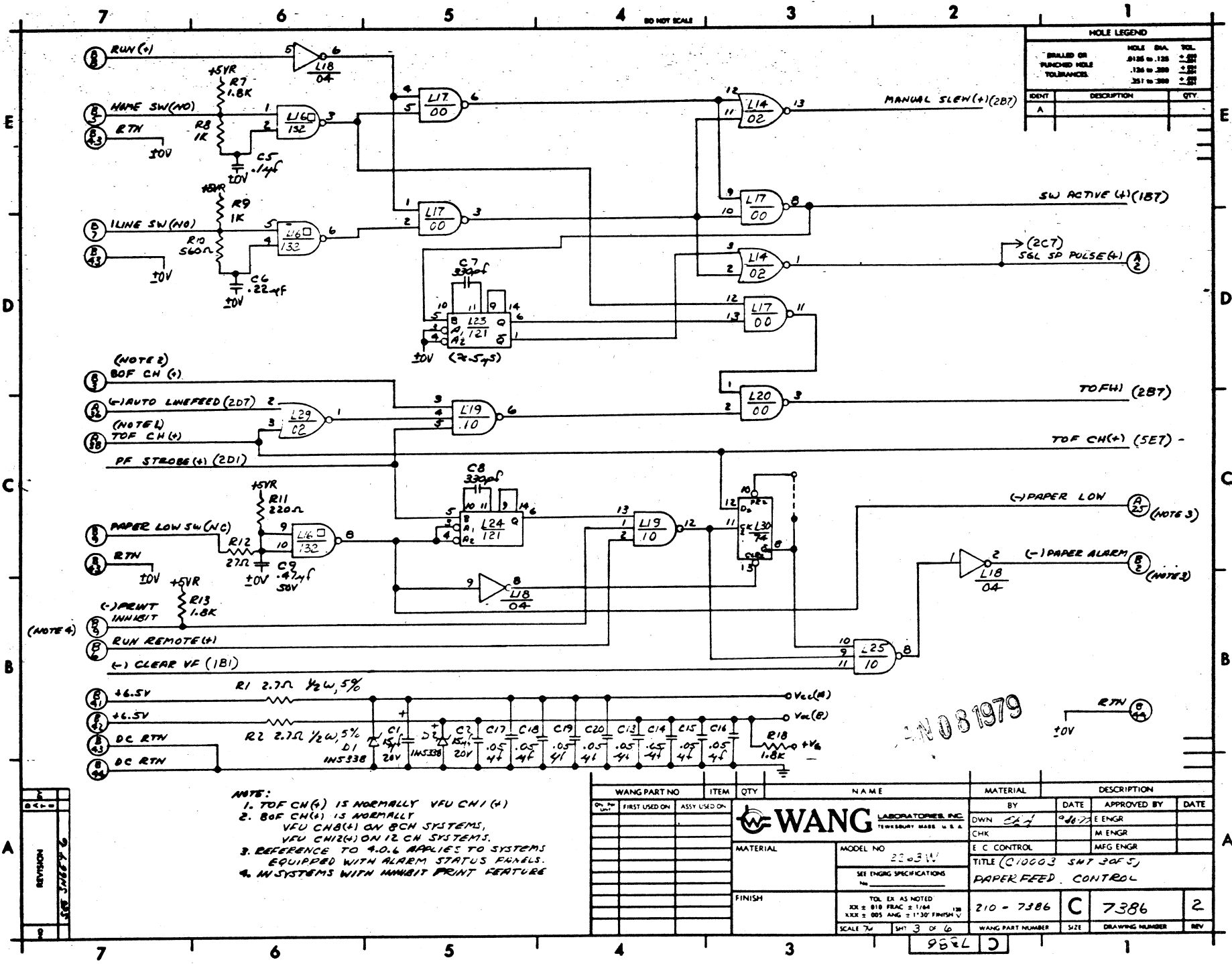
HOLE LEGEND		
DRILLED OR PUNCHED HOLE TOLERANCES:	HOLE DIA.	TOL.
	0135 to 125	±.001
	126 to 250	±.002
	251 to 500	±.003

WANG PART NO.	ITEM	QTY	NAME	MATERIAL	DESCRIPTION
2263W			WANG LABORATORIES, INC. TOWERSBURG, PA. U.S.A.		
			MODEL NO. 2263W		
			SEE ENGR SPECIFICATIONS		
			TOL EX AS NOTED		
			XX ± 010 FRAC ± 1/64		
			XXX ± 005 ANG ± 1°30' FINISH		
			SCALE SMT 1 OF 6		



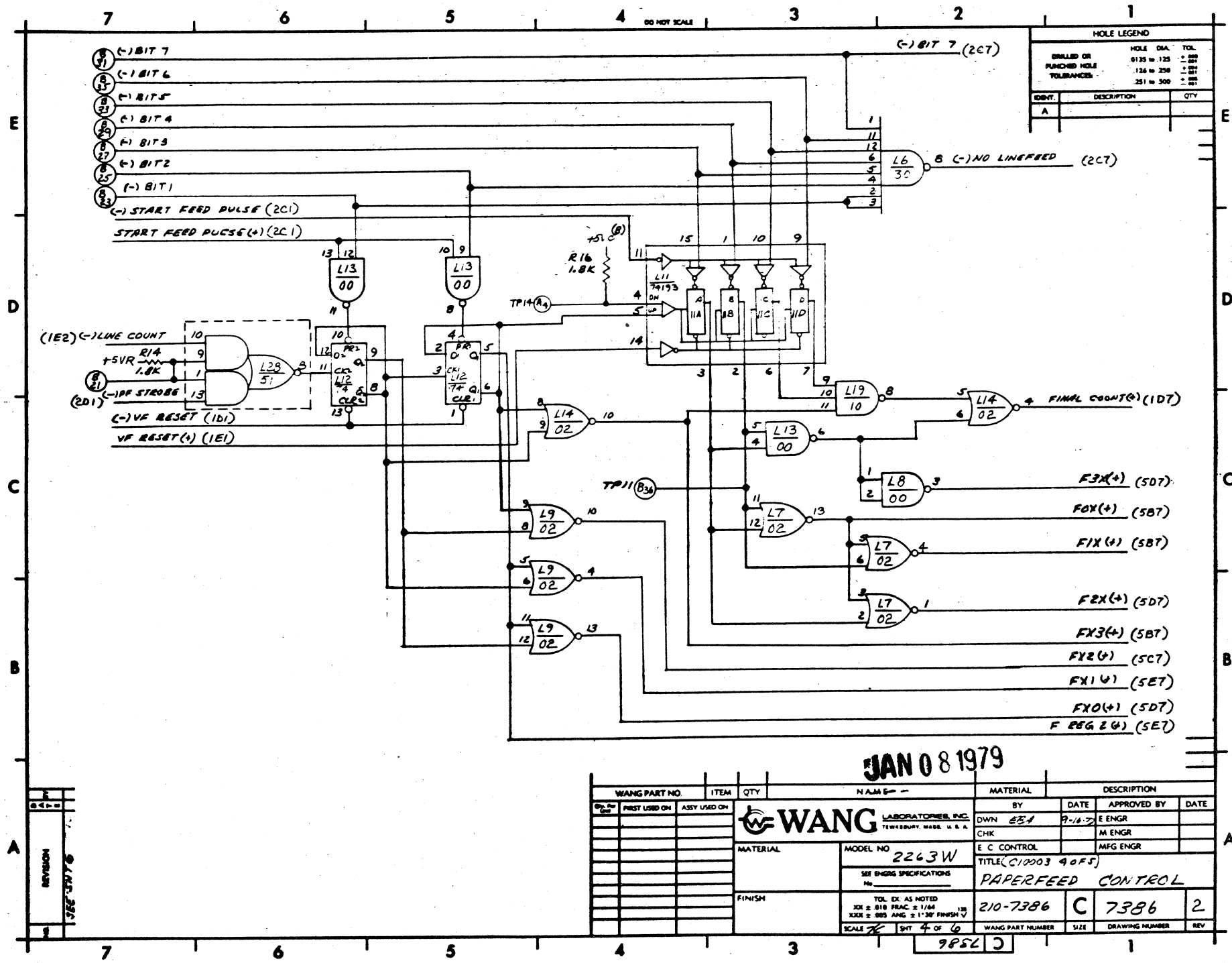
HOLE LEGEND		
DRILLED OR PUNCHED HOLE TOLERANCES:	HOLE DIA.	TOL.
	0135 to 125	±.001
	126 to 250	±.002
	251 to 500	±.003

WANG PART NO.	ITEM	QTY	NAME	MATERIAL	DESCRIPTION
2263W			WANG LABORATORIES, INC. TOWERSBURG, PA. U.S.A.		
			MODEL NO. 2263W		
			SEE ENGR SPECIFICATIONS		
			TOL EX AS NOTED		
			XX ± 010 FRAC ± 1/64		
			XXX ± 005 ANG ± 1°30' FINISH		
			SCALE SMT 2 OF 6		



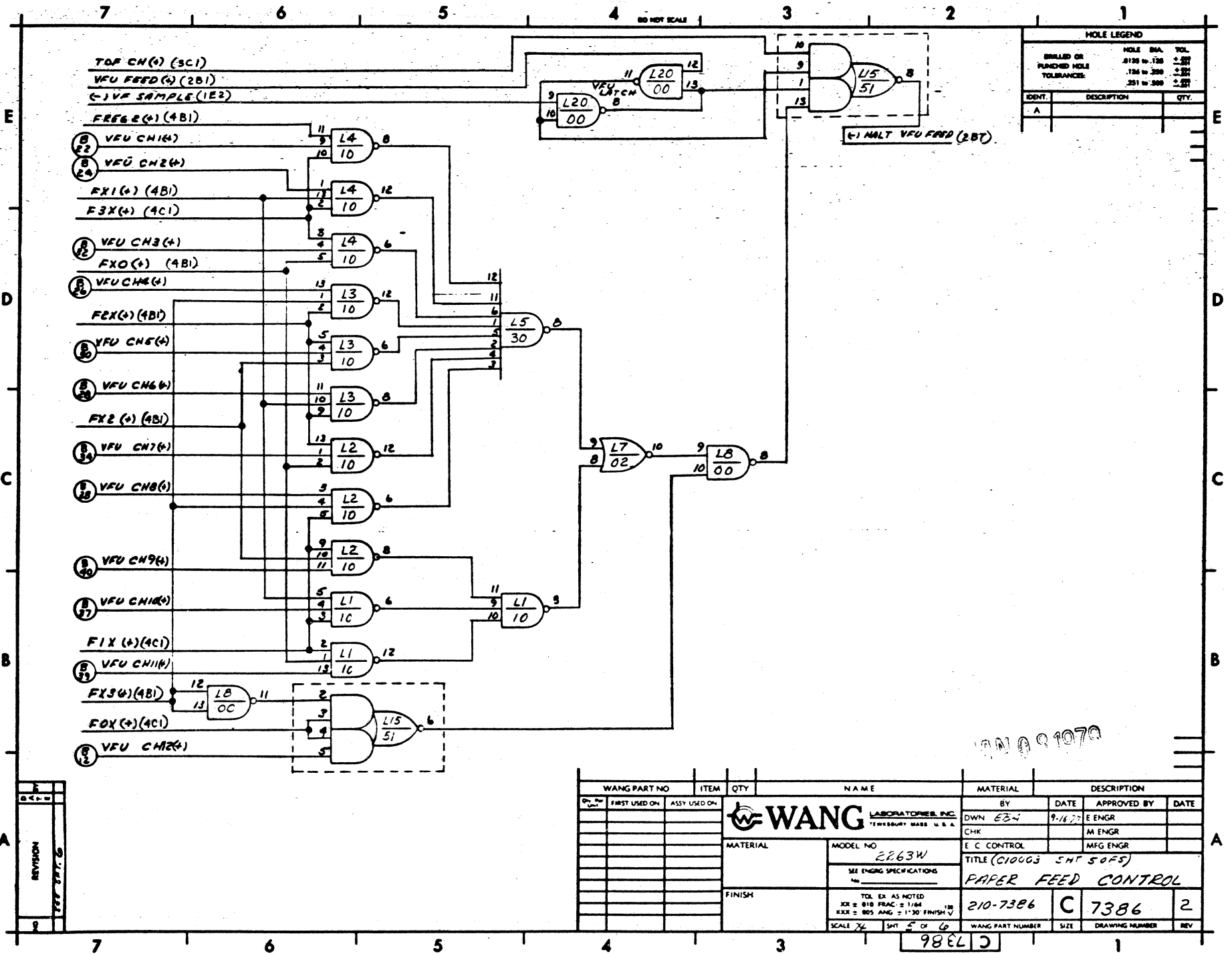
NOTE:
 1. TOF CH (+) IS NORMALLY VFU CH1 (+)
 2. BOF CH (+) IS NORMALLY VFU CH2 (+) ON 12 CH SYSTEMS, VFU CH12 (+) ON 12 CH SYSTEMS.
 3. REFERENCE TO 4.0.6 APPLIES TO SYSTEMS EQUIPPED WITH ALARM STATUS PANELS.
 4. IN SYSTEMS WITH INHIBIT PRINT FEATURE

WANG PART NO.	ITEM	QTY	NAME	MATERIAL	DESCRIPTION
74125	1	1	74125		MONOSTABLE MULTIVIBRATOR
7400	10	10	7400		NAND GATE
74132	1	1	74132		SCHMITT TRIGGER
7410	1	1	7410		DECADEC
7418	1	1	7418		MONOSTABLE MULTIVIBRATOR
7419	1	1	7419		DECADEC
7420	1	1	7420		DECADEC
7425	1	1	7425		DECADEC
7430	1	1	7430		MONOSTABLE MULTIVIBRATOR
7432	1	1	7432		SCHMITT TRIGGER
7433	1	1	7433		MONOSTABLE MULTIVIBRATOR
7434	1	1	7434		MONOSTABLE MULTIVIBRATOR
7435	1	1	7435		MONOSTABLE MULTIVIBRATOR
7436	1	1	7436		MONOSTABLE MULTIVIBRATOR
7437	1	1	7437		MONOSTABLE MULTIVIBRATOR
7438	1	1	7438		MONOSTABLE MULTIVIBRATOR
7439	1	1	7439		MONOSTABLE MULTIVIBRATOR
7440	1	1	7440		MONOSTABLE MULTIVIBRATOR
7441	1	1	7441		MONOSTABLE MULTIVIBRATOR
7442	1	1	7442		MONOSTABLE MULTIVIBRATOR
7443	1	1	7443		MONOSTABLE MULTIVIBRATOR
7444	1	1	7444		MONOSTABLE MULTIVIBRATOR
7445	1	1	7445		MONOSTABLE MULTIVIBRATOR
7446	1	1	7446		MONOSTABLE MULTIVIBRATOR
7447	1	1	7447		MONOSTABLE MULTIVIBRATOR
7448	1	1	7448		MONOSTABLE MULTIVIBRATOR
7449	1	1	7449		MONOSTABLE MULTIVIBRATOR
7450	1	1	7450		MONOSTABLE MULTIVIBRATOR

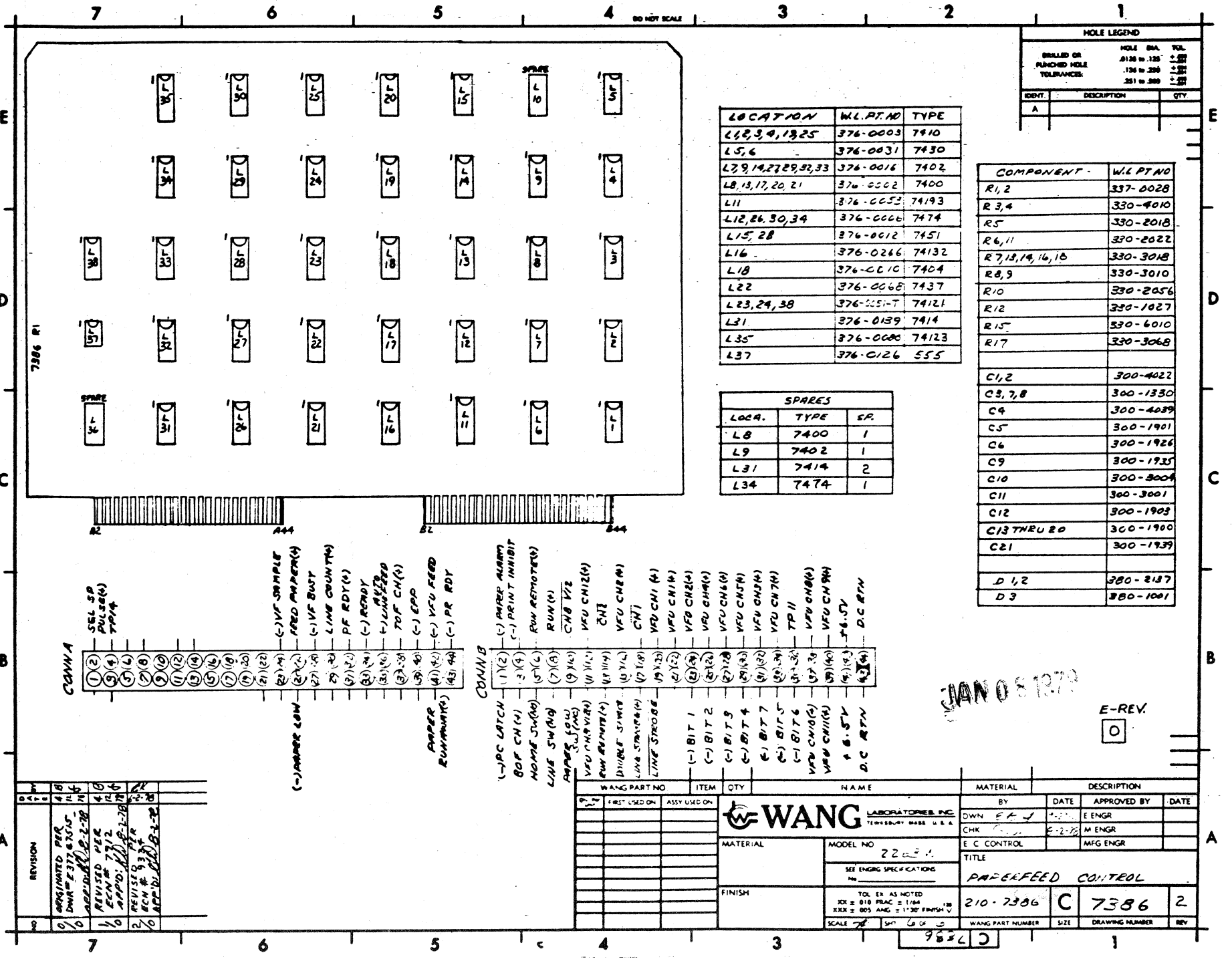


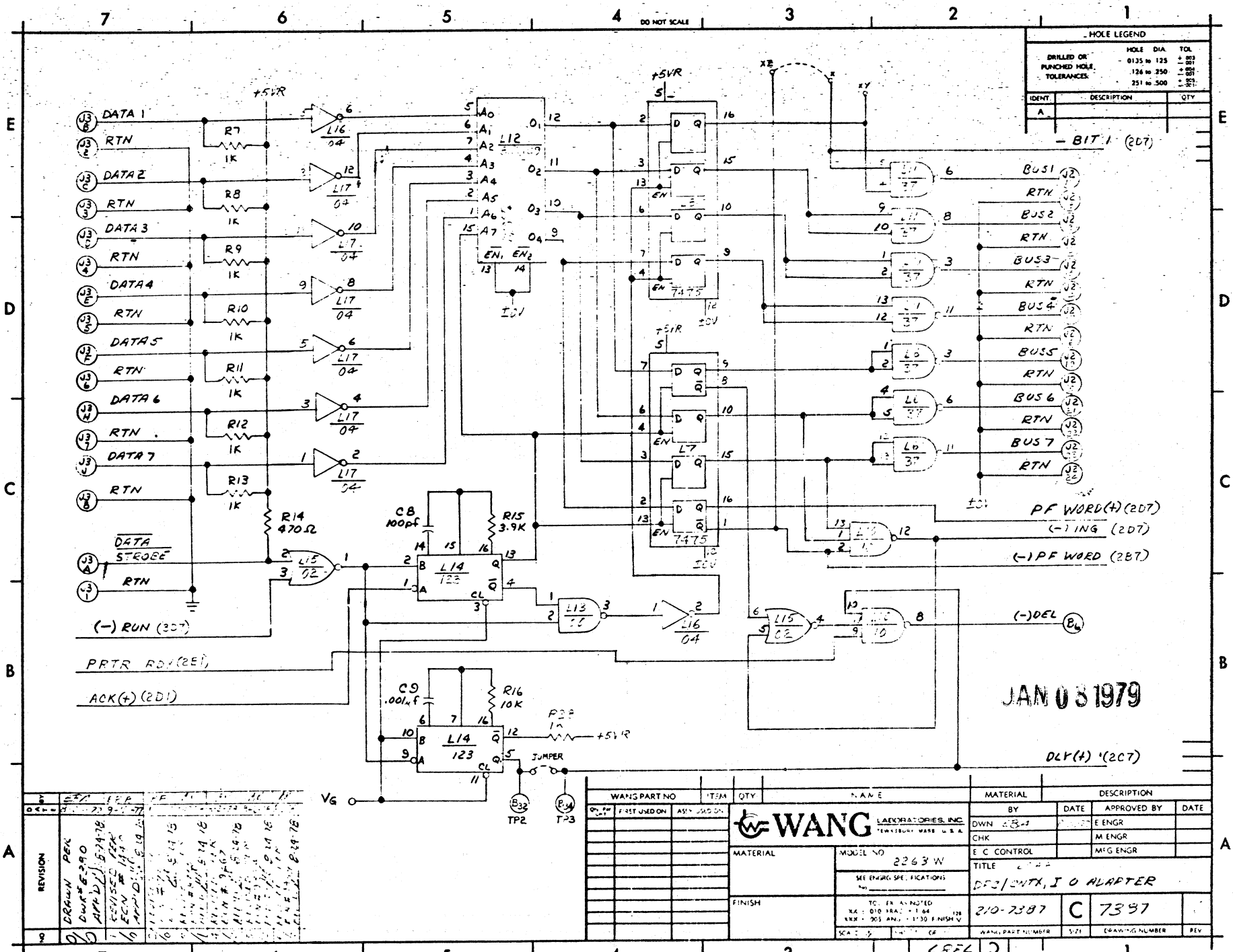
NOTE:
 1. TOF CH (+) IS NORMALLY VFU CH1 (+)
 2. BOF CH (+) IS NORMALLY VFU CH2 (+) ON 12 CH SYSTEMS, VFU CH12 (+) ON 12 CH SYSTEMS.
 3. REFERENCE TO 4.0.6 APPLIES TO SYSTEMS EQUIPPED WITH ALARM STATUS PANELS.
 4. IN SYSTEMS WITH INHIBIT PRINT FEATURE

WANG PART NO.	ITEM	QTY	NAME	MATERIAL	DESCRIPTION
74125	1	1	74125		MONOSTABLE MULTIVIBRATOR
7400	10	10	7400		NAND GATE
74132	1	1	74132		SCHMITT TRIGGER
7410	1	1	7410		DECADEC
7418	1	1	7418		MONOSTABLE MULTIVIBRATOR
7419	1	1	7419		DECADEC
7420	1	1	7420		DECADEC
7425	1	1	7425		DECADEC
7430	1	1	7430		MONOSTABLE MULTIVIBRATOR
7432	1	1	7432		SCHMITT TRIGGER
7433	1	1	7433		MONOSTABLE MULTIVIBRATOR
7434	1	1	7434		MONOSTABLE MULTIVIBRATOR
7435	1	1	7435		MONOSTABLE MULTIVIBRATOR
7436	1	1	7436		MONOSTABLE MULTIVIBRATOR
7437	1	1	7437		MONOSTABLE MULTIVIBRATOR
7438	1	1	7438		MONOSTABLE MULTIVIBRATOR
7439	1	1	7439		MONOSTABLE MULTIVIBRATOR
7440	1	1	7440		MONOSTABLE MULTIVIBRATOR
7441	1	1	7441		MONOSTABLE MULTIVIBRATOR
7442	1	1	7442		MONOSTABLE MULTIVIBRATOR
7443	1	1	7443		MONOSTABLE MULTIVIBRATOR
7444	1	1	7444		MONOSTABLE MULTIVIBRATOR
7445	1	1	7445		MONOSTABLE MULTIVIBRATOR
7446	1	1	7446		MONOSTABLE MULTIVIBRATOR
7447	1	1	7447		MONOSTABLE MULTIVIBRATOR
7448	1	1	7448		MONOSTABLE MULTIVIBRATOR
7449	1	1	7449		MONOSTABLE MULTIVIBRATOR
7450	1	1	7450		MONOSTABLE MULTIVIBRATOR



WANG PART NO.	ITEM	QTY.	NAME	MATERIAL	DESCRIPTION
2263W			LABORATORIES, INC.		
			TEMPERARY MARK U.S.A.		
			BY	DATE	APPROVED BY
			DWN EBN	9-16-77	E ENGR
			CHK		M ENGR
			E C CONTROL		MFG ENGR
FINISH			MODEL NO.	TITLE (C10003 SHF 50FS)	
			2263W	PAPER FEED CONTROL	
			SEE ENGR SPECIFICATIONS		
			TOL. EX. AS NOTED	210-7386	C 7386 2
			XX ± 0.10 FRAC. ± 1/16"	WANG PART NUMBER	SIZE DRAWING NUMBER REV
			XXX ± 0.05 ANG. ± 1°30' FINISH		
			SCALE 1/4" = 1" SH 5 OF 6		



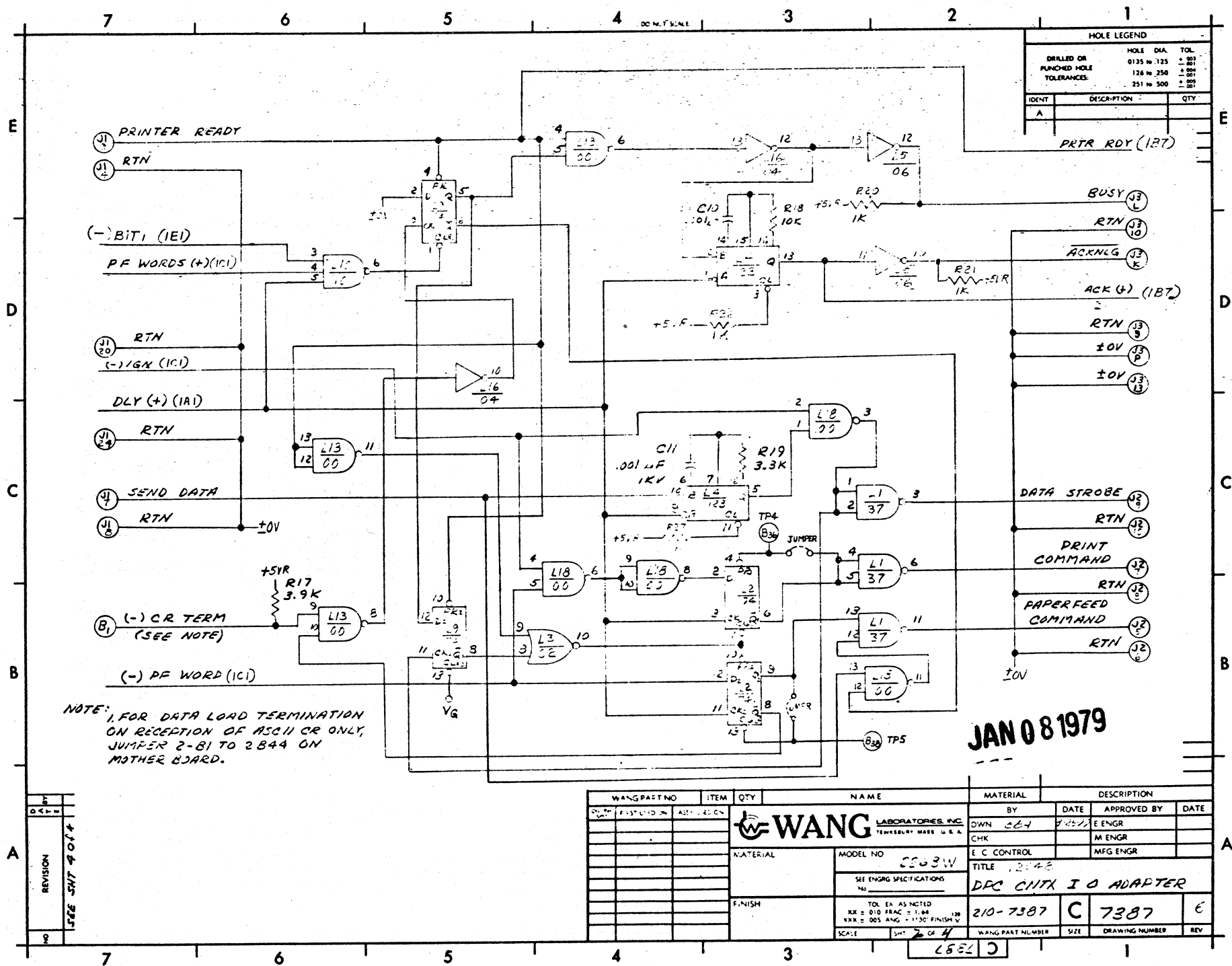


HOLE LEGEND		
	HOLE DIA.	TOL.
DRILLED OR PUNCHED HOLE	0.135 IN 125	± 0.001
	126 IN 250	± 0.001
	251 IN 500	± 0.001

REVISION	DATE	BY	DESCRIPTION
1	12/15/78
2	1/3/79
3	1/3/79
4	1/3/79
5	1/3/79
6	1/3/79
7	1/3/79

WANG PART NO.	ITEM	QTY	NAME	MATERIAL	DESCRIPTION
...

WANG LABORATORIES, INC.		DATE	APPROVED BY	DATE
BY	DATE	APPROVED BY	DATE	
CHK		E ENGR		
E C CONTROL		M ENGR		
		MFG ENGR		



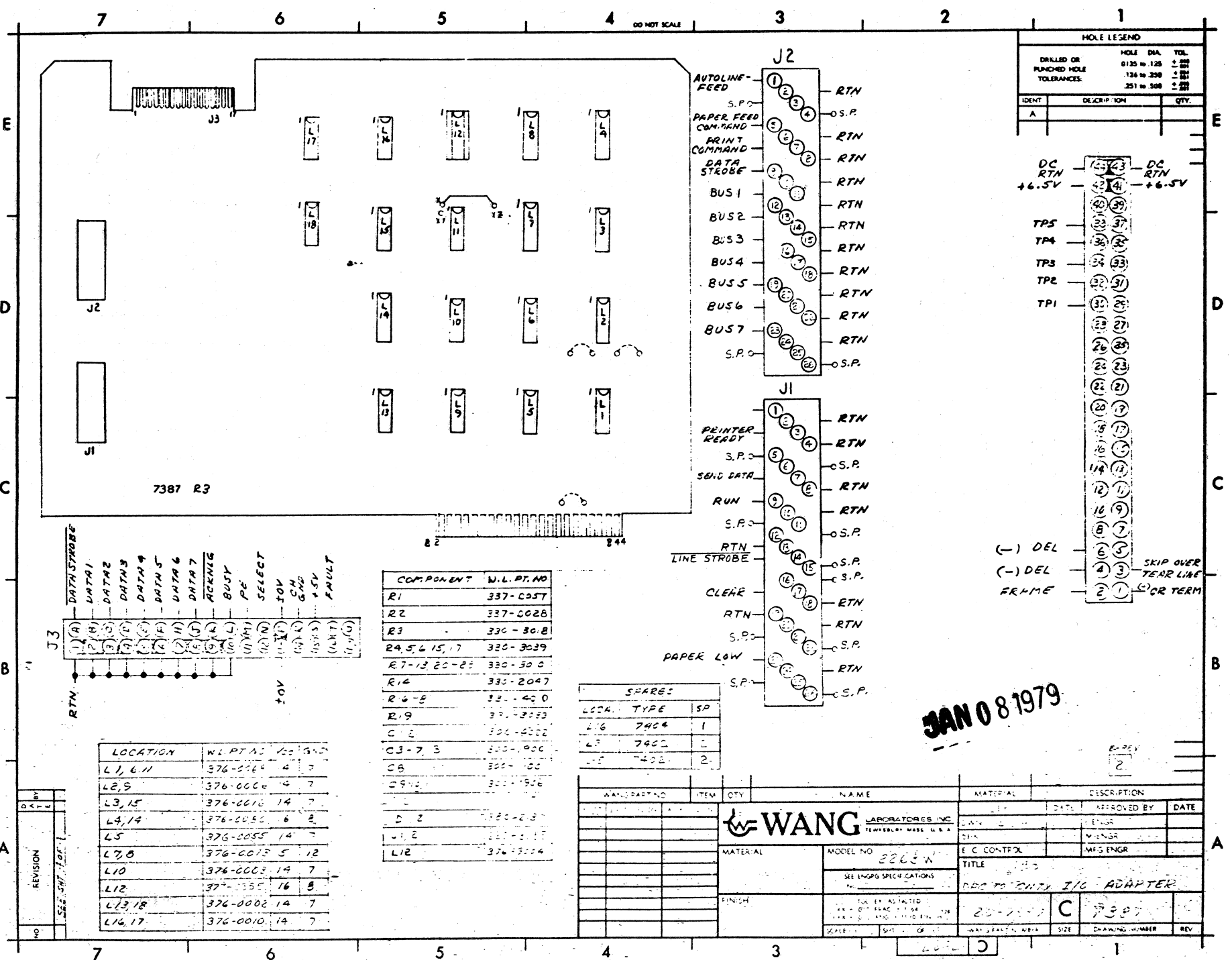
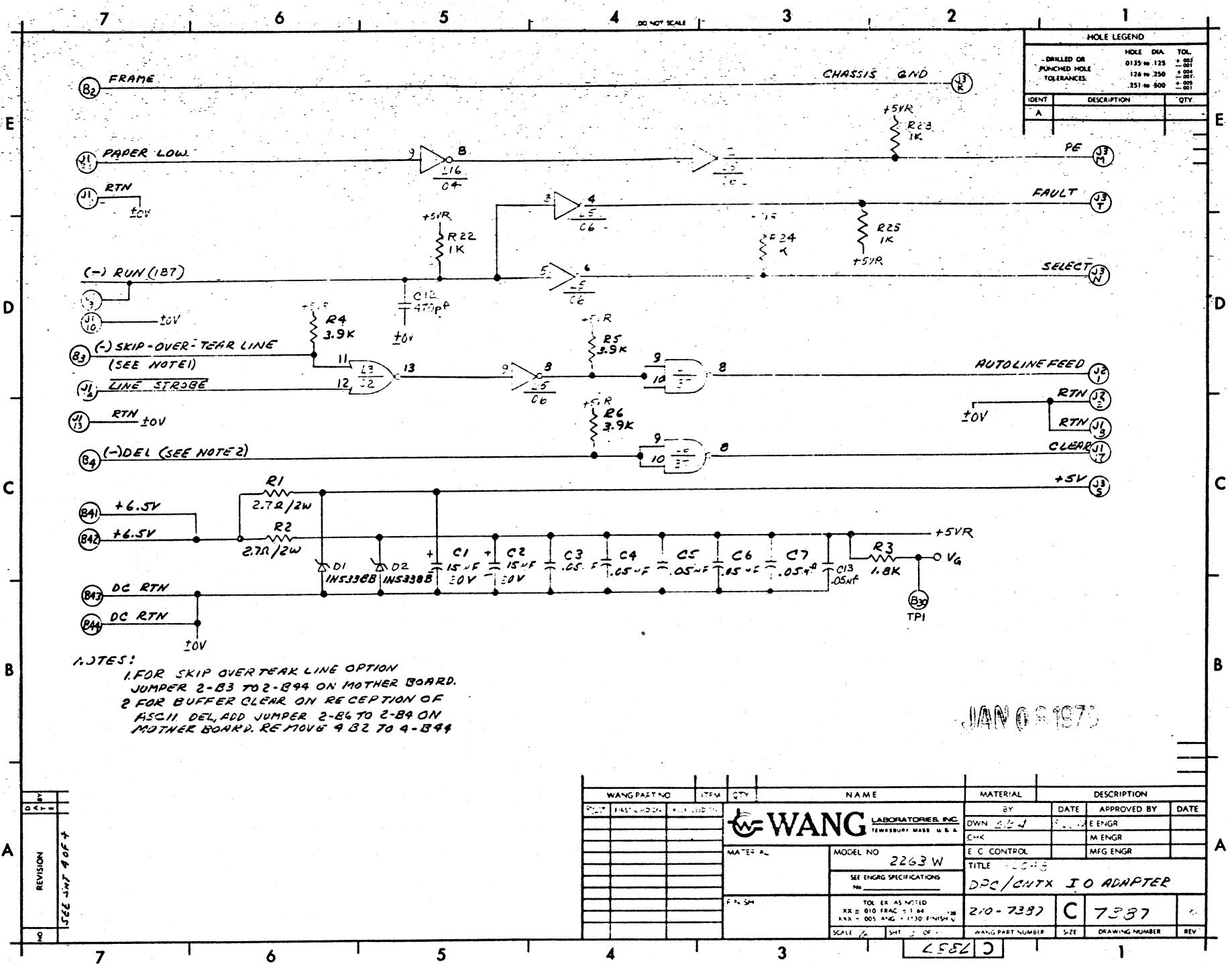
HOLE LEGEND		
	HOLE DIA.	TOL.
DRILLED OR PUNCHED HOLE	0.135 IN 125	± 0.001
	126 IN 250	± 0.001
	251 IN 500	± 0.001

REVISION	DATE	BY	DESCRIPTION
1	1/3/79

WANG PART NO.	ITEM	QTY	NAME	MATERIAL	DESCRIPTION
...

WANG LABORATORIES, INC.		DATE	APPROVED BY	DATE
BY	DATE	APPROVED BY	DATE	
CHK		E ENGR		
E C CONTROL		M ENGR		
		MFG ENGR		

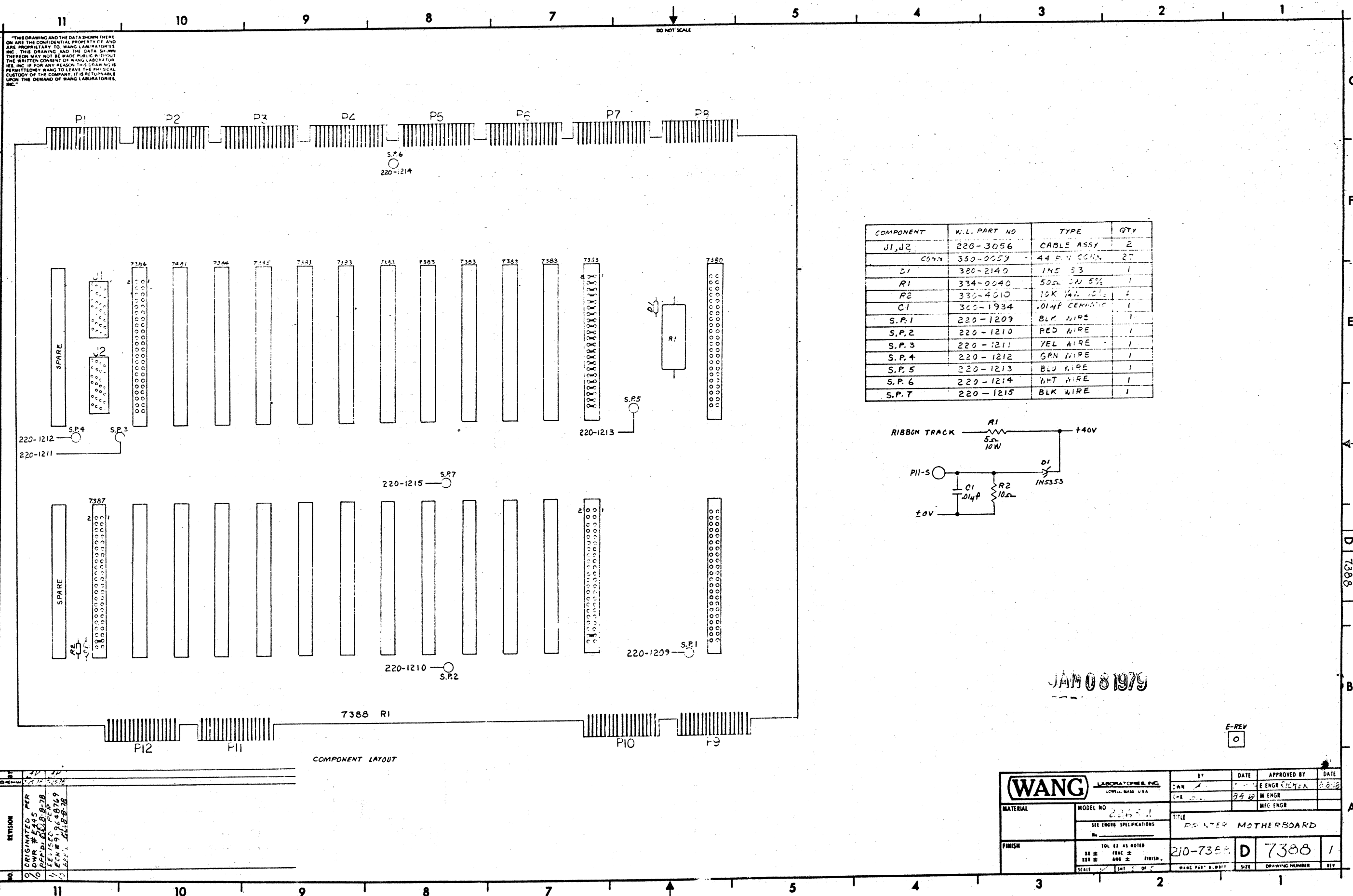
NOTE: 1. FOR DATA LOAD TERMINATION ON RECEPTION OF ASCII CR ONLY, JUMPER 2-81 TO 2-844 ON MOTHER BOARD.



THIS DRAWING AND THE DATA SHEET THEREON ARE THE PROPERTY OF WANG LABORATORIES, INC. AND ARE TO BE USED ONLY FOR THE PURPOSES SPECIFIED THEREON. ANY REPRODUCTION OR TRANSMISSION OF THIS DRAWING OR DATA SHEET WITHOUT THE WRITTEN PERMISSION OF WANG LABORATORIES, INC. IS STRICTLY PROHIBITED. THE USER SHALL BE RESPONSIBLE FOR THE PROTECTION OF THIS DRAWING AND DATA SHEET FROM THE DEMAND OF ANY LAW ENFORCEMENT AGENCY.

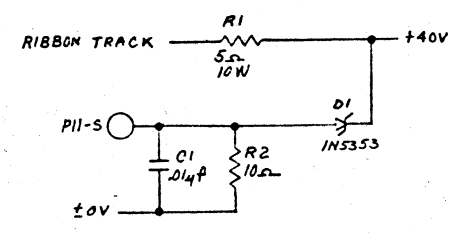
DO NOT SCALE

A178	A33 A34	PH-17	
A.C. NEUTRAL			TB2-1
AUTO LINE FEED			
AUTO LINE FEED	B3	J2-1	
AUTO LINE FEED	A36		
AUTO LINE FEED	B06		
B.T. 1	B33 B3		
B.T. 2	B33 B4		
B.T. 3	B33 B19		
B.T. 4	B33 B3		
B.T. 5	B33 B6		
B.T. 6	B33 B4		
B.T. 7	B33 B22		
B.T. 8	B33 B22		
B.T. 9	B33 B22		
B.T. 10	B33 B22		
B.T. 11	B33 B22		
B.T. 12	B33 B22		
B.T. 13	B33 B22		
B.T. 14	B33 B22		
B.T. 15	B33 B22		
B.T. 16	B33 B22		
B.T. 17	B33 B22		
B.T. 18	B33 B22		
B.T. 19	B33 B22		
B.T. 20	B33 B22		
B.T. 21	B33 B22		
B.T. 22	B33 B22		
B.T. 23	B33 B22		
B.T. 24	B33 B22		
B.T. 25	B33 B22		
B.T. 26	B33 B22		
B.T. 27	B33 B22		
B.T. 28	B33 B22		
B.T. 29	B33 B22		
B.T. 30	B33 B22		
BUS 1	B33 B22	J2-11	
BUS 2	B33 B22	J2-13	
BUS 3	B33 B22	J2-15	
BUS 4	B33 B22	J2-17	
BUS 5	B33 B22	J2-19	
BUS 6	B33 B22	J2-21	
BUS 7	B33 B22	J2-23	
BUS 8	B33 B22	J2-3	
BUS 9	B33 B22		
BUS 10	B33 B22		
BUS 11	B33 B22		
BUS 12	B33 B22		
BUS 13	B33 B22		
BUS 14	B33 B22		
BUS 15	B33 B22		
BUS 16	B33 B22		
BUS 17	B33 B22		
BUS 18	B33 B22		
BUS 19	B33 B22		
BUS 20	B33 B22		
BUS 21	B33 B22		
BUS 22	B33 B22		
BUS 23	B33 B22		
BUS 24	B33 B22		
BUS 25	B33 B22		
BUS 26	B33 B22		
BUS 27	B33 B22		
BUS 28	B33 B22		
BUS 29	B33 B22		
BUS 30	B33 B22		
BUS 31	B33 B22		
BUS 32	B33 B22		
BUS 33	B33 B22		
BUS 34	B33 B22		
BUS 35	B33 B22		
BUS 36	B33 B22		
BUS 37	B33 B22		
BUS 38	B33 B22		
BUS 39	B33 B22		
BUS 40	B33 B22		
BUS 41	B33 B22		
BUS 42	B33 B22		
BUS 43	B33 B22		
BUS 44	B33 B22		
BUS 45	B33 B22		
BUS 46	B33 B22		
BUS 47	B33 B22		
BUS 48	B33 B22		
BUS 49	B33 B22		
BUS 50	B33 B22		
BUS 51	B33 B22		
BUS 52	B33 B22		
BUS 53	B33 B22		
BUS 54	B33 B22		
BUS 55	B33 B22		
BUS 56	B33 B22		
BUS 57	B33 B22		
BUS 58	B33 B22		
BUS 59	B33 B22		
BUS 60	B33 B22		
BUS 61	B33 B22		
BUS 62	B33 B22		
BUS 63	B33 B22		
BUS 64	B33 B22		
BUS 65	B33 B22		
BUS 66	B33 B22		
BUS 67	B33 B22		
BUS 68	B33 B22		
BUS 69	B33 B22		
BUS 70	B33 B22		
BUS 71	B33 B22		
BUS 72	B33 B22		
BUS 73	B33 B22		
BUS 74	B33 B22		
BUS 75	B33 B22		
BUS 76	B33 B22		
BUS 77	B33 B22		
BUS 78	B33 B22		
BUS 79	B33 B22		
BUS 80	B33 B22		
BUS 81	B33 B22		
BUS 82	B33 B22		
BUS 83	B33 B22		
BUS 84	B33 B22		
BUS 85	B33 B22		
BUS 86	B33 B22		
BUS 87	B33 B22		
BUS 88	B33 B22		
BUS 89	B33 B22		
BUS 90	B33 B22		
BUS 91	B33 B22		
BUS 92	B33 B22		
BUS 93	B33 B22		
BUS 94	B33 B22		
BUS 95	B33 B22		
BUS 96	B33 B22		
BUS 97	B33 B22		
BUS 98	B33 B22		
BUS 99	B33 B22		
BUS 100	B33 B22		
BUS 101	B33 B22		
BUS 102	B33 B22		
BUS 103	B33 B22		
BUS 104	B33 B22		
BUS 105	B33 B22		
BUS 106	B33 B22		
BUS 107	B33 B22		
BUS 108	B33 B22		
BUS 109	B33 B22		
BUS 110	B33 B22		
BUS 111	B33 B22		
BUS 112	B33 B22		
BUS 113	B33 B22		
BUS 114	B33 B22		
BUS 115	B33 B22		
BUS 116	B33 B22		
BUS 117	B33 B22		
BUS 118	B33 B22		
BUS 119	B33 B22		
BUS 120	B33 B22		
BUS 121	B33 B22		
BUS 122	B33 B22		
BUS 123	B33 B22		
BUS 124	B33 B22		
BUS 125	B33 B22		
BUS 126	B33 B22		
BUS 127	B33 B22		
BUS 128	B33 B22		
BUS 129	B33 B22		
BUS 130	B33 B22		
BUS 131	B33 B22		
BUS 132	B33 B22		
BUS 133	B33 B22		
BUS 134	B33 B22		
BUS 135	B33 B22		
BUS 136	B33 B22		
BUS 137	B33 B22		
BUS 138	B33 B22		
BUS 139	B33 B22		
BUS 140	B33 B22		
BUS 141	B33 B22		
BUS 142	B33 B22		
BUS 143	B33 B22		
BUS 144	B33 B22		
BUS 145	B33 B22		
BUS 146	B33 B22		
BUS 147	B33 B22		
BUS 148	B33 B22		
BUS 149	B33 B22		
BUS 150	B33 B22		
BUS 151	B33 B22		
BUS 152	B33 B22		
BUS 153	B33 B22		
BUS 154	B33 B22		
BUS 155	B33 B22		
BUS 156	B33 B22		
BUS 157	B33 B22		
BUS 158	B33 B22		
BUS 159	B33 B22		
BUS 160	B33 B22		
BUS 161	B33 B22		
BUS 162	B33 B22		
BUS 163	B33 B22		
BUS 164	B33 B22		
BUS 165	B33 B22		
BUS 166	B33 B22		
BUS 167	B33 B22		
BUS 168	B33 B22		
BUS 169	B33 B22		
BUS 170	B33 B22		
BUS 171	B33 B22		
BUS 172	B33 B22		
BUS 173	B33 B22		
BUS 174	B33 B22		
BUS 175	B33 B22		
BUS 176	B33 B22		
BUS 177	B33 B22		
BUS 178	B33 B22		
BUS 179	B33 B22		
BUS 180	B33 B22		
BUS 181	B33 B22		
BUS 182	B33 B22		
BUS 183	B33 B22		
BUS 184	B33 B22		
BUS 185	B33 B22		
BUS 186	B33 B22		
BUS 187	B33 B22		
BUS 188	B33 B22		
BUS 189	B33 B22		
BUS 190	B33 B22		
BUS 191	B33 B22		
BUS 192	B33 B22		
BUS 193	B33 B22		
BUS 194	B33 B22		
BUS 195	B33 B22		
BUS 196	B33 B22		
BUS 197	B33 B22		
BUS 198	B33 B22		
BUS 199	B33 B22		
BUS 200	B33 B22		
BUS 201	B33 B22		
BUS 202	B33 B22		
BUS 203	B33 B22		
BUS 204	B33 B22		
BUS 205	B33 B22		
BUS 206	B33 B22		
BUS 207	B33 B22		
BUS 208	B33 B22		
BUS 209	B33 B22		
BUS 210	B33 B22		
BUS 211	B33 B22		
BUS 212	B33 B22		
BUS 213	B33 B22		
BUS 214	B33 B22		
BUS 215	B33 B22		
BUS 216	B33 B22		
BUS 217	B33 B22		
BUS 218	B33 B22		
BUS 219	B33 B22		
BUS 220	B33 B22		
BUS 221	B33 B22		
BUS 222	B33 B22		
BUS 223	B33 B22		
BUS 224	B33 B22		
BUS 225	B33 B22		
BUS 226	B33 B22		
BUS 227	B33 B22		
BUS 228	B33 B22		
BUS 229	B33 B22		
BUS 230	B33 B22		
BUS 231	B33 B22		
BUS 232	B33 B22		
BUS 233	B33 B22		
BUS 234	B33 B22		
BUS 235	B33 B22		
BUS 236	B33 B22		
BUS 237	B33 B22		
BUS 238	B33 B22		
BUS 239	B33 B22		
BUS 240	B33 B22		
BUS 241	B33 B22		
BUS 242	B33 B22		
BUS 243	B33 B22		
BUS 244	B33 B22		
BUS 245	B33 B22		
BUS 246	B33 B22		
BUS 247	B33 B22		
BUS 248	B33 B22		
BUS 249	B33 B22		
BUS 250	B33 B22		
BUS 251	B33 B22		
BUS 252	B33 B22		
BUS 253	B33 B22		
BUS 254	B33 B22		
BUS 255	B33 B22		
BUS 256	B33 B22		
BUS 257	B33 B22		
BUS 258	B33 B22		
BUS 259	B33 B22		
BUS 260	B33 B22		
BUS 261	B33 B22		
BUS 262	B33 B22		
BUS 263	B33 B22		
BUS 264	B33 B22		
BUS 265	B33 B22		
BUS 266	B33 B22		
BUS 267	B33 B22		
BUS 268	B33 B22		
BUS 269	B33 B22		
BUS 270	B33 B22		
BUS 271	B33 B22		
BUS 272	B33 B22		
BUS 273	B33 B22		
BUS 274	B33 B22		
BUS 275	B33 B22		
BUS 276	B33 B22		
BUS 277	B33 B22		</



THIS DRAWING AND THE DATA SHOWN THEREON ARE THE CONFIDENTIAL PROPERTY OF AND ARE PROPRIETARY TO WANG LABORATORIES, INC. THIS DRAWING AND THE DATA SHOWN THEREON MAY NOT BE MADE PUBLIC WITHOUT THE WRITTEN CONSENT OF WANG LABORATORIES, INC. IF FOR ANY REASON THIS DRAWING IS RETURNED TO WANG LABORATORIES, INC. IT IS RETURNABLE UPON THE DEMAND OF WANG LABORATORIES, INC.

COMPONENT	W.L. PART NO	TYPE	QTY
J1, J2	220-3056	CABLE ASSY	2
CONN	350-0559	44 PIN CONN.	27
S1	380-2140	1N53	1
R1	334-0040	50Ω 5W 5%	1
R2	330-4010	10K 1/4W 10%	1
C1	300-1934	.014F CERAMIC	1
S.P.1	220-1209	BLK WIRE	1
S.P.2	220-1210	RED WIRE	1
S.P.3	220-1211	YEL WIRE	1
S.P.4	220-1212	GRN WIRE	1
S.P.5	220-1213	BLU WIRE	1
S.P.6	220-1214	WHT WIRE	1
S.P.7	220-1215	BLK WIRE	1



JAN 08 1979

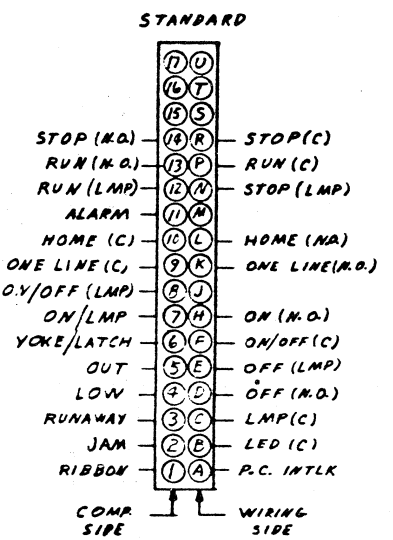
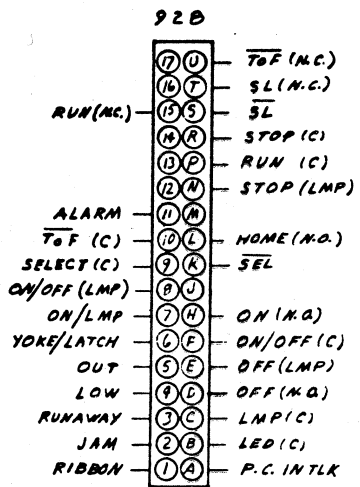
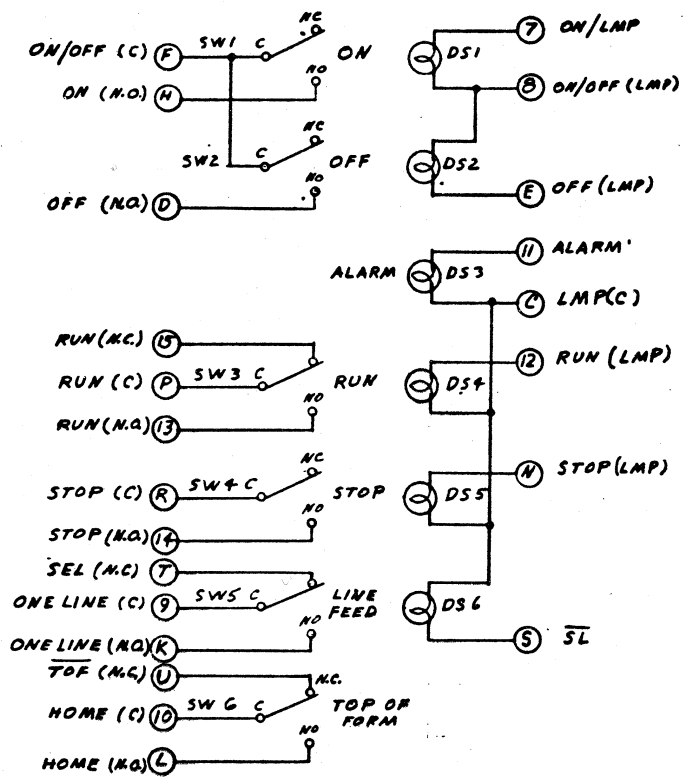
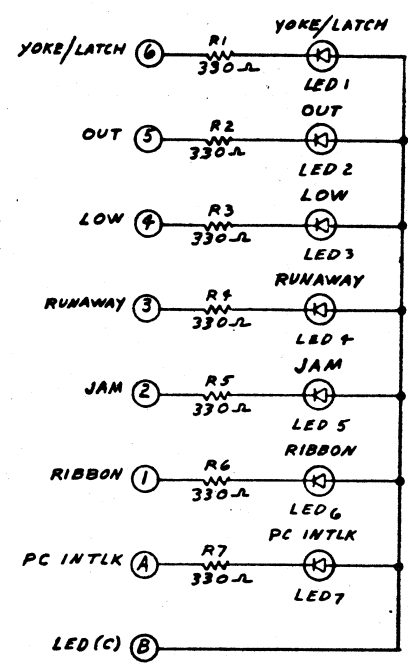
E-REV
0

NO	REVISION	DATE	BY
1	ORIGINATED PER DWR #E45	12/12/78	...
2	REVISED PER JEN #919608769	12/12/78	...

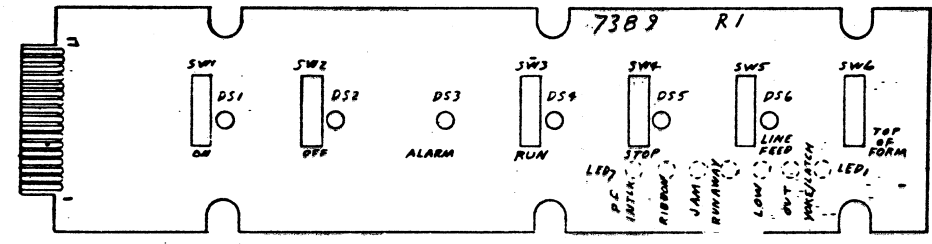
COMPONENT LAYOUT

(WANG) LABORATORIES, INC. LOWELL, MASS. U.S.A.		BY: <i>[Signature]</i>	DATE: 1/8/79	APPROVED BY: <i>[Signature]</i>	DATE: 1/8/79
MATERIAL	MODEL NO: 220-1	TITLE: PRINTER MOTHERBOARD			
FINISH	TOL. AS NOTED	210-7388	D	7388	1
SCALE: 1/8" = 1"	DATE PART: 1/8/79	SIZE: 7388	DRAWING NUMBER: 7388	REV: 1	

THIS DRAWING AND THE DATA SHOWN THEREIN ARE THE CONFIDENTIAL PROPERTY OF AND ARE PROPRIETARY TO WANG LABORATORIES, INC. THIS DRAWING AND THE DATA SHOWN THEREON MAY NOT BE MADE PUBLIC WITHOUT THE WRITTEN CONSENT OF WANG LABORATORIES, INC. IF FOR ANY REASON THIS DRAWING IS PERMITTED BY WANG TO LEAVE THE PHYSICAL CUSTODY OF THE COMPANY, IT IS RETURNABLE UPON THE DEMAND OF WANG LABORATORIES, INC.



COMPONENT LAYOUT



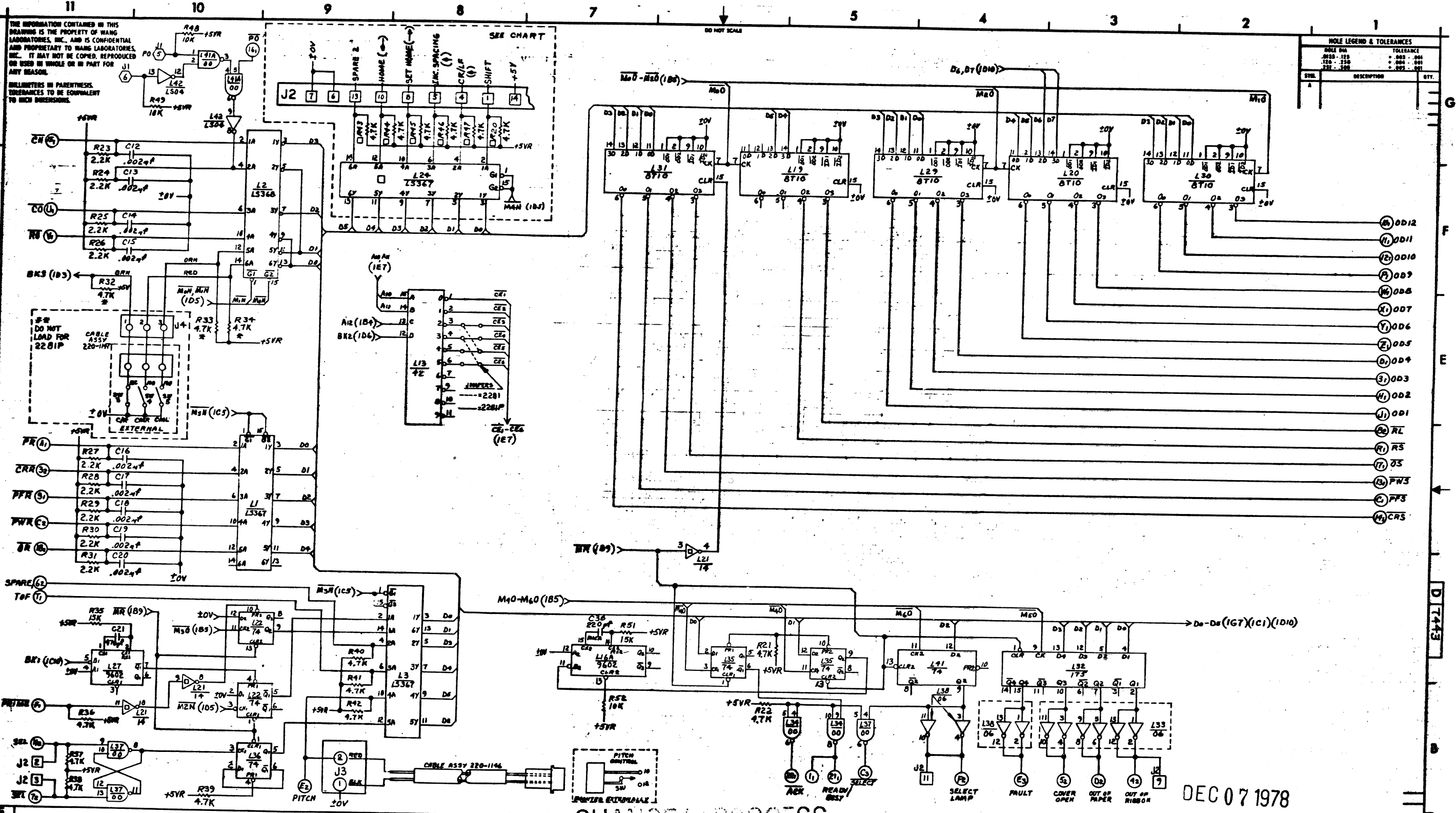
COMPONENT	M.L. PART NO.	TYPE
R1-7	330-2033	330-Ω/1/4W 1076
SW1-6	325-2305	MICRO SWITCH
DS1-6	370-0023	LAMP TYPE T-1
DS1-6	370-1020	LAMP HOLDER
DS1-6	652-3002	1/2-32 HEX NUT
LED 1-7	370-0026	LAMP RED LED

E-REP.

DATE 10/10/76

NO.	REVISED PER	DATE
1	DRG. PER	7-20-76
2	DWG. RE. APP. 08/03/76	7-20-76
3	REVISD PER	7-20-76
4	TECH 9/27/76	7-20-76
5	APP. 10/10/76	7-20-76

WANG LABORATORIES, INC. LOWELL, MASS. U.S.A.		BY	DATE	APPROVED BY	DATE
MATERIAL		DRN	10-10-76	E ENGR B.FISH	8-3-76
MODEL NO. 210-33W		CHE	10-10-76	M ENGR	
SEE ENGR SPECIFICATIONS		TITLE PRINTER KEYBOARD			
FINISH		210-7389		D 7389	1
SCALE 1/8" = 1"		SHT 1 OF 1		WANG PART NUMBER	SIZE DRAWING NUMBER



THE INFORMATION CONTAINED IN THIS DRAWING IS THE PROPERTY OF WANG LABORATORIES, INC. AND IS CONFIDENTIAL AND PROPRIETARY TO WANG LABORATORIES, INC. IT MAY NOT BE COPIED, REPRODUCED OR USED IN WHOLE OR IN PART FOR ANY REASON.

MILLIMETERS IN PARENTHESES. TOLERANCES TO BE EQUIVALENT TO SUCH DIMENSIONS.

HOLE LEGEND & TOLERANCES		
SIZE	TOLERANCE	
.003 - .005	± .001	
.006 - .010	± .002	
.012 - .020	± .003	
.025 - .050	± .005	

CHANGE PROCESS
 PER ECN 9596
 DATE NOV 13 1978

DEC 07 1978

QTY.	ITEM	WANG PART NO.	DRAWING NO.	DESCRIPTION
	NEXT ASSY.			
		WANG	LABORATORIES, INC.	TEMPERLEY HILLS, U.S.A.
	MATERIAL	MODEL NO.	2281/2281E	SEE ENGRG. SPECIFICATIONS
	FINISH	TOL. EX. AS NOTED		
		210-7443	D 7443	9

SEE SHW 3493

