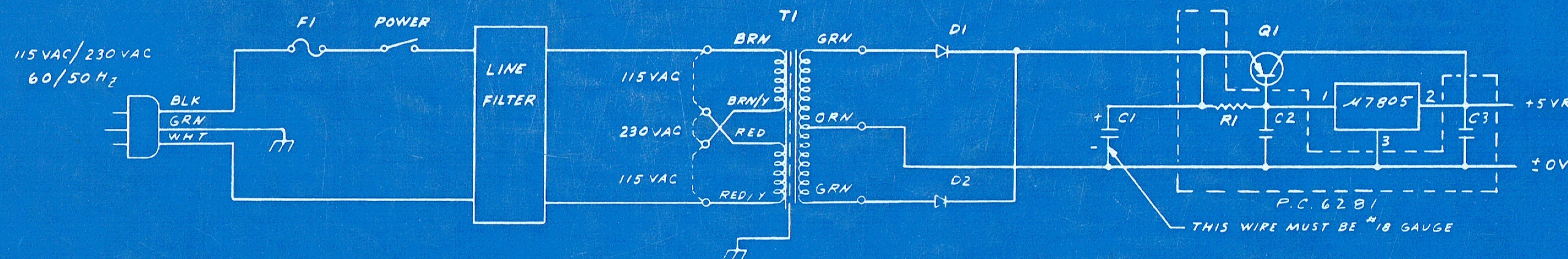


# PRODUCT SERVICE

## SCHEMATIC MANUAL



REFERENCE INFORMATION ONLY

---

NOT CONTROLLED



LABORATORIES, INC.

ONE INDUSTRIAL AVENUE, LOWELL, MASSACHUSETTS 01851, TEL. (617) 851-4111, TWX 710 343-6769, TELEX 94-7421

03-0019  
SCHEMATIC MANUAL

May, 1977

SCHEMATIC MANUAL REPRINT

# PRODUCT SERVICE SCHEMATIC MANUAL

© Wang Laboratories, Inc., 1974

The original quantity of schematic manuals was exhausted, necessitating a reprint. Because of the bulk of the original manual and the limited use of the first several sections, this reprint only contains the following sections: Model 1200/1222; 2200; PERIPHERALS; and DIABLO SERIES 40 DISK DRIVE. This reprinted manual contains all updates and revisions included in the first three schematic manual addenda.

This manual contains company proprietary information. Reproduction of this document in whole or in part without the authorized consent of Wang Laboratories, Inc. is prohibited.

**WANG**

LABORATORIES, INC.

836 NORTH STREET, TEWKSBURY, MASSACHUSETTS 01876, TEL (617) 851-4111, TWX 710 343-6769, TELEX 94 7421

Printed in U.S.A.





Schematic Manual Addendum #4  
Peripheral Section

JANUARY 1979

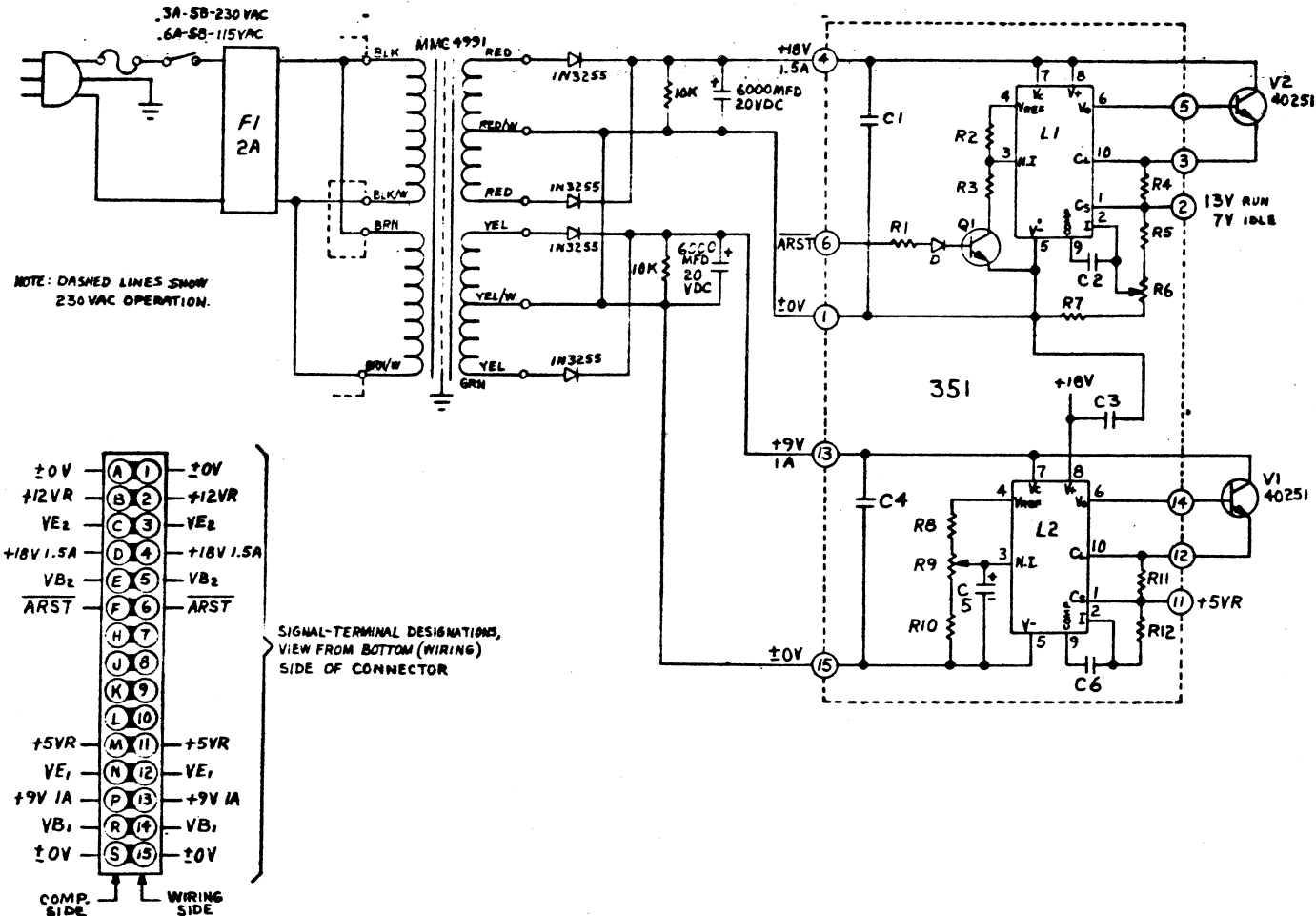
This addendum contains updated and additional schematics for the peripheral section. There are also two pages included for insertion into the 2200 section to replace poorly reproduced schematics. Follow the guideline below to incorporate this addendum into the schematic manual:

Remove Old Page(s)	Insert New Page(s)	Remove Old Page(s)	Insert New Page(s)	Remove Old Page(s)	Insert New Page(s)
Peripheral Title Sheet, Rev 3	Peripheral Title Sheet, Rev 4	E7028/E7076	E7028/E7030		
C6467-1/C6496	C6467-1/C6496		E7031/C7035		C7386/D7386
C6033/E6033-2	C6033/E6033-2		E7060/E7070		C7386/D7387
E6033-1/E6033-3	E6033-1/E6033-3		D7071/D7072		C7387/D7388
D6053/D6117-1	D6053/D6117-1		E7073/E7074		D7388/D7388
	D6125-1/D6125-1		C7075/E7076		D7388/D7388
D6127-1/D6127-1	D6127-1/D6127-1		E7077/E7091		D7389/D7443
D6127-2/D6127-2	D6127-2/D6127-2		D7092/BLANK		D7443/D7443
A6134-1/D6175-1	A6134-1/D6175		B7129/C7130		
	D6234-1/D6235-1		E7131/E7132		
D6250/D6251-1	D6250/D6251-1		D7133/E7134		
E6276-1/D6280-1	E6276-1/D6280-1		D7136/E7137		
D6294-1/D6295	D6294-1/D6295		E7143/D7157		
D6296-1/D6297-1	D6296-1/D6297-1,2,3		B7174/B7175		
D6297-10/D6297-11	D6297-10/D6297-11		B7184/E7218		
E6298/E6299-1	E6298/E6299-1		E7218/E7218		
D6333-1/D6334-1	D6333-1/D6334		D7232/D7232		
	D6337/D6343-1		D7239/D7239		
D6346-1/6349-1	D6346-1/6349-1		D7239/E7243		
E6398-1/E6398-1	E6398-1/E6398-1		B7270/E7271		
	C6540/BLANK		E7272/D7273		
D6544-1/D6545-1	D6544-1/D6545-1		D7274/B7275		
D6558/A6568, 73, 4 & 5	D6558/A6568, 73, 4 & 5		B7276/E7295		
E6576/E6577	E6576/E6577		E7296/E7296		
E6578/D6579	E6578/D6579		E7296/D7297		
D6595/E6596	D6595/E6596		D7297/D7298		
	D6716/BLANK		E7298/E7343		
E6718/E6718	E6718/E6718		E7370/C7380		
E6718/E6728	E6718/E6727		C7380/C7380		
C6734/D6772	E6728/C6734		C7381/C7381		
	C6751/C6752		C7381/C7381		
	C6756/E6760		C7383/D7383		
	E6761/C6762		C7384/D7384		
	D6772/BLANK		C7384/D7384		
D7012/E7018	D7012/E7018		C7385/D7385		
E7018/E7018	E7018/E7018				

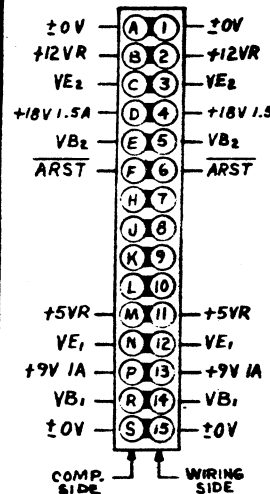
Replacement Pages for the 2200 Update

Remove from 2200 Section	Insert into 2200 Section
B6548-1/E6560	B6548-1/E6560
E7291/E7292	E7291/E7292

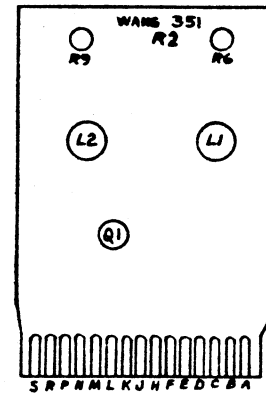
DO NOT SCALE



NOTE: DASHED LINES SHOW 230 VAC OPERATION.



SIGNAL-TERMINAL DESIGNATIONS, VIEW FROM BOTTOM (WIRING) SIDE OF CONNECTOR



COMPONENT	SIZE/TYPE	W.L. PART NO.	QTY.
R1	10K 1/4W	330-4010	1
R2,3,5	1K 1/4W	330-3010	3
R4,11	.3Ω 1.5W	333-0044	2
R6,9	1K TRIM POT	336-1001	2
R7	100Ω 1/4W	330-2010	1
R8,12	1.5K 1/4W	330-3015	2
R10	4.7K 1/4W	330-3047	1
C1,3	.047μF MYLAR	300-2348	2
C2,6	220pF CER.	300-1220	2
C4	.05μF CER.	300-1900	1
C5	1μF TANT.	300-4000	1
Q1	MPS 6512	375-1012	1
D	SIL. DIODE (0039)	380-1001	1
L1,2	723 I.C.	376-0066	2

DEC 07 1978

REV 1

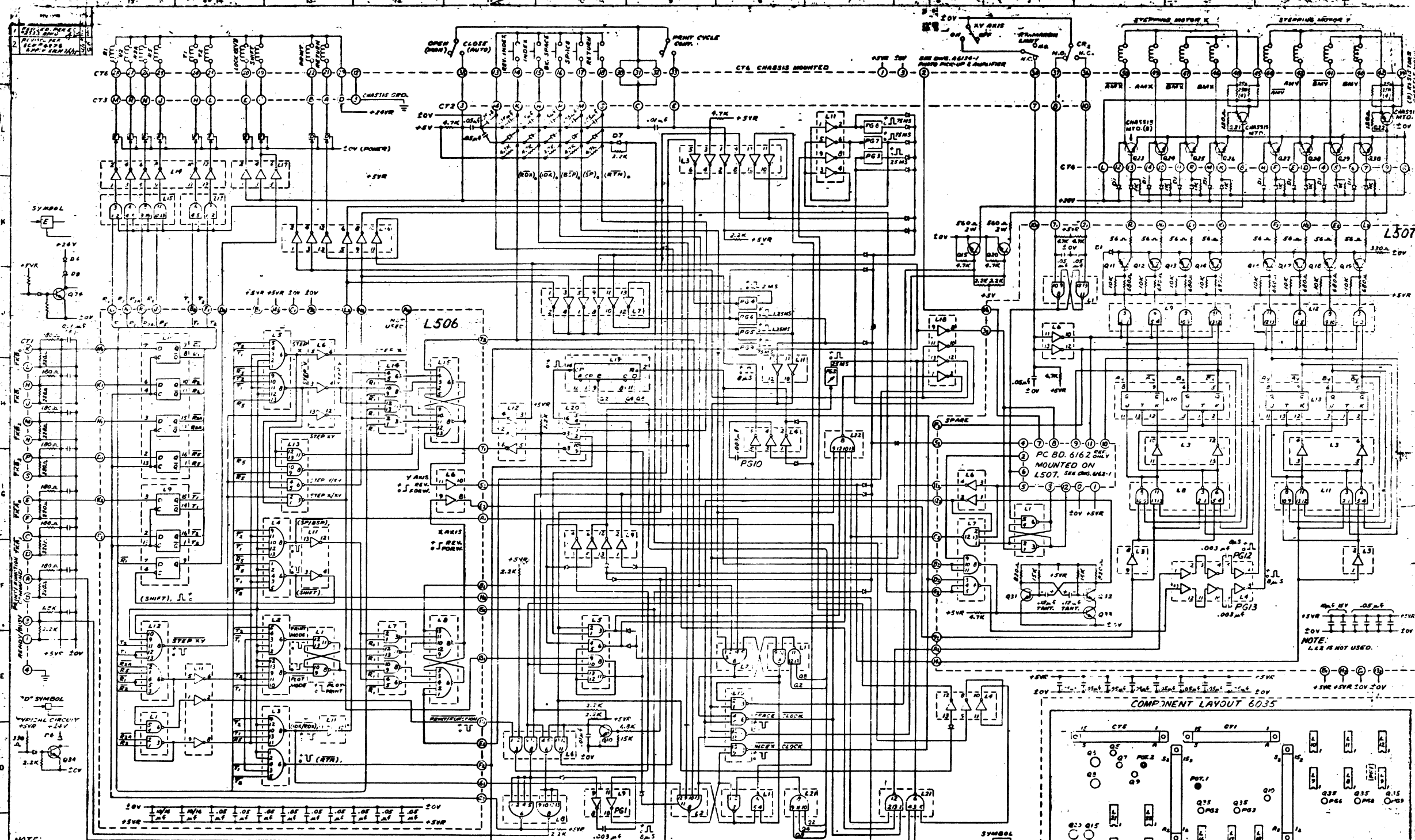
REV	BY	DATE	DESCRIPTION
1	DR	10-26-73	REVISED PER
2	CHK	12/3/75	REVISED PER
3	APP	12/10/78	REVISED PER

REV	QTY	NAME	MATERIAL	DESCRIPTION
1	1	WANG LABORATORIES, INC.	DR B.K.	DATE 10-26-73
1	1	TEWKSBURY, MASS. U. S. A.	CHK B.K.	DATE 12/3/75
1	1	MODEL No. 2203	APPR M.P.	DATE 12/10/78
TITLE SCHEMATIC LOGIBLOC #351 PROGRAMABLE POWER SUPPLY				
210-0351	4	C	6467	
PART NUMBER	REV	SIZE	DRAWING NUMBER	

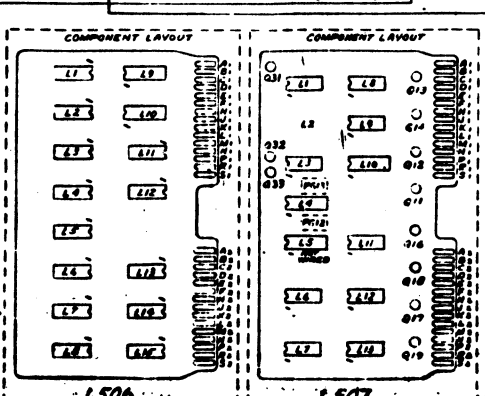
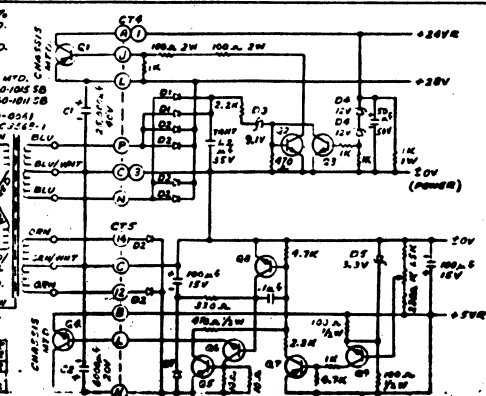




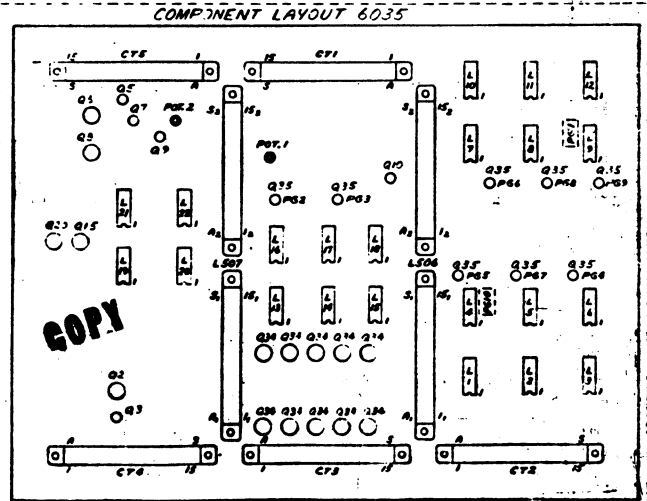
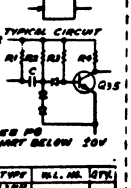




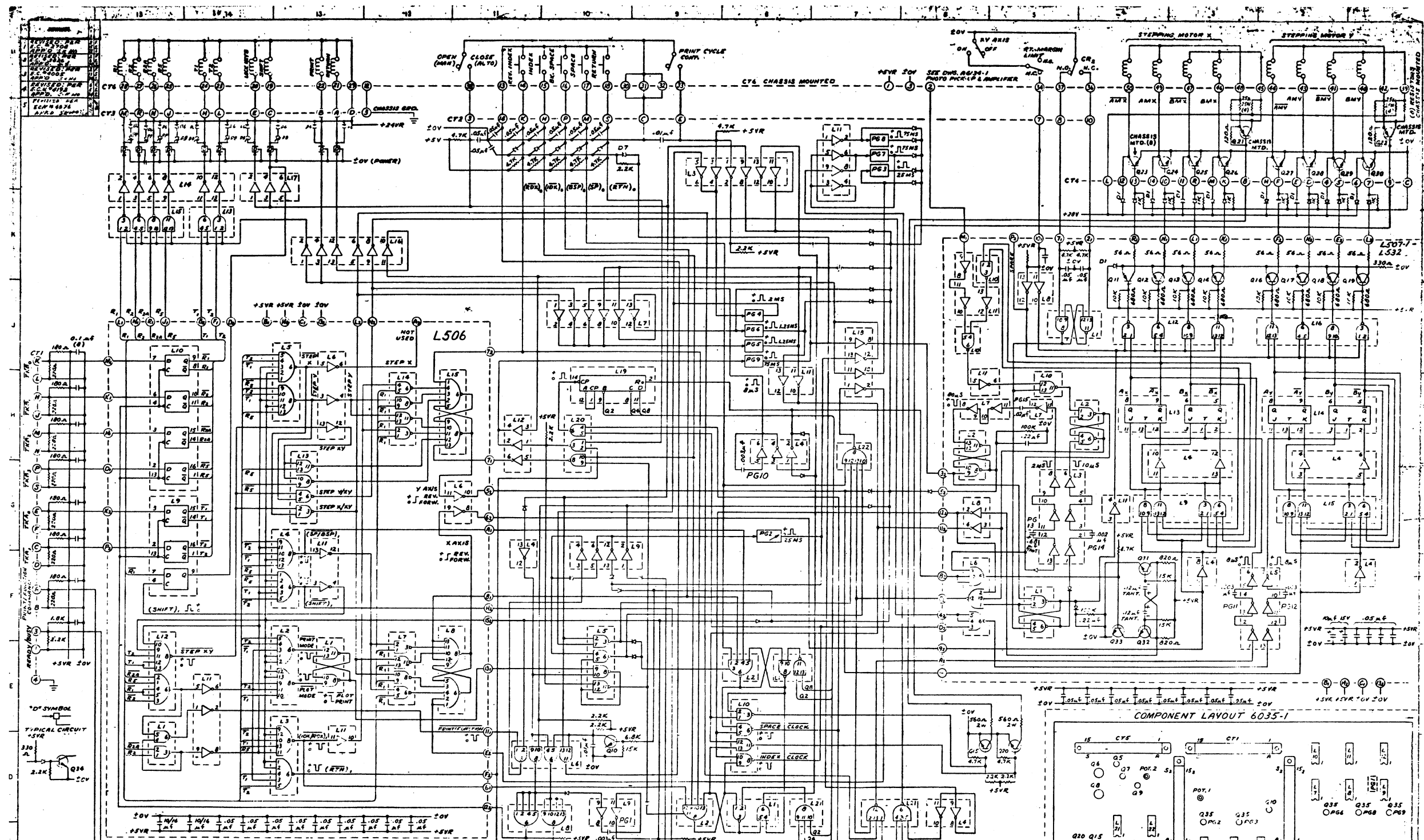
NOTE:  
 1. ALL RESISTORS ARE 1/4W 10% UNLESS OTHERWISE SPECIFIED.  
 2. ALL CAPACITORS ARE 50V UNLESS OTHERWISE SPECIFIED.  
 3. SEE OTHER SHEETS FOR CONNECTIONS.  
 4. Q1, Q2, Q3, Q4, Q5, Q6, Q7, Q8, Q9, Q10, Q11, Q12, Q13, Q14, Q15, Q16, Q17, Q18, Q19, Q20, Q21, Q22, Q23, Q24, Q25, Q26, Q27, Q28, Q29, Q30, Q31, Q32, Q33, Q34, Q35, Q36, Q37, Q38, Q39, Q40, Q41, Q42, Q43, Q44, Q45, Q46, Q47, Q48, Q49, Q50, Q51, Q52, Q53, Q54, Q55, Q56, Q57, Q58, Q59, Q60, Q61, Q62, Q63, Q64, Q65, Q66, Q67, Q68, Q69, Q70, Q71, Q72, Q73, Q74, Q75, Q76, Q77, Q78, Q79, Q80, Q81, Q82, Q83, Q84, Q85, Q86, Q87, Q88, Q89, Q90, Q91, Q92, Q93, Q94, Q95, Q96, Q97, Q98, Q99, Q100, Q101, Q102, Q103, Q104, Q105, Q106, Q107, Q108, Q109, Q110, Q111, Q112, Q113, Q114, Q115, Q116, Q117, Q118, Q119, Q120, Q121, Q122, Q123, Q124, Q125, Q126, Q127, Q128, Q129, Q130, Q131, Q132, Q133, Q134, Q135, Q136, Q137, Q138, Q139, Q140, Q141, Q142, Q143, Q144, Q145, Q146, Q147, Q148, Q149, Q150, Q151, Q152, Q153, Q154, Q155, Q156, Q157, Q158, Q159, Q160, Q161, Q162, Q163, Q164, Q165, Q166, Q167, Q168, Q169, Q170, Q171, Q172, Q173, Q174, Q175, Q176, Q177, Q178, Q179, Q180, Q181, Q182, Q183, Q184, Q185, Q186, Q187, Q188, Q189, Q190, Q191, Q192, Q193, Q194, Q195, Q196, Q197, Q198, Q199, Q200, Q201, Q202, Q203, Q204, Q205, Q206, Q207, Q208, Q209, Q210, Q211, Q212, Q213, Q214, Q215, Q216, Q217, Q218, Q219, Q220, Q221, Q222, Q223, Q224, Q225, Q226, Q227, Q228, Q229, Q230, Q231, Q232, Q233, Q234, Q235, Q236, Q237, Q238, Q239, Q240, Q241, Q242, Q243, Q244, Q245, Q246, Q247, Q248, Q249, Q250, Q251, Q252, Q253, Q254, Q255, Q256, Q257, Q258, Q259, Q260, Q261, Q262, Q263, Q264, Q265, Q266, Q267, Q268, Q269, Q270, Q271, Q272, Q273, Q274, Q275, Q276, Q277, Q278, Q279, Q280, Q281, Q282, Q283, Q284, Q285, Q286, Q287, Q288, Q289, Q290, Q291, Q292, Q293, Q294, Q295, Q296, Q297, Q298, Q299, Q300, Q301, Q302, Q303, Q304, Q305, Q306, Q307, Q308, Q309, Q310, Q311, Q312, Q313, Q314, Q315, Q316, Q317, Q318, Q319, Q320, Q321, Q322, Q323, Q324, Q325, Q326, Q327, Q328, Q329, Q330, Q331, Q332, Q333, Q334, Q335, Q336, Q337, Q338, Q339, Q340, Q341, Q342, Q343, Q344, Q345, Q346, Q347, Q348, Q349, Q350, Q351, Q352, Q353, Q354, Q355, Q356, Q357, Q358, Q359, Q360, Q361, Q362, Q363, Q364, Q365, Q366, Q367, Q368, Q369, Q370, Q371, Q372, Q373, Q374, Q375, Q376, Q377, Q378, Q379, Q380, Q381, Q382, Q383, Q384, Q385, Q386, Q387, Q388, Q389, Q390, Q391, Q392, Q393, Q394, Q395, Q396, Q397, Q398, Q399, Q400, Q401, Q402, Q403, Q404, Q405, Q406, Q407, Q408, Q409, Q410, Q411, Q412, Q413, Q414, Q415, Q416, Q417, Q418, Q419, Q420, Q421, Q422, Q423, Q424, Q425, Q426, Q427, Q428, Q429, Q430, Q431, Q432, Q433, Q434, Q435, Q436, Q437, Q438, Q439, Q440, Q441, Q442, Q443, Q444, Q445, Q446, Q447, Q448, Q449, Q450, Q451, Q452, Q453, Q454, Q455, Q456, Q457, Q458, Q459, Q460, Q461, Q462, Q463, Q464, Q465, Q466, Q467, Q468, Q469, Q470, Q471, Q472, Q473, Q474, Q475, Q476, Q477, Q478, Q479, Q480, Q481, Q482, Q483, Q484, Q485, Q486, Q487, Q488, Q489, Q490, Q491, Q492, Q493, Q494, Q495, Q496, Q497, Q498, Q499, Q500, Q501, Q502, Q503, Q504, Q505, Q506, Q507, Q508, Q509, Q510, Q511, Q512, Q513, Q514, Q515, Q516, Q517, Q518, Q519, Q520, Q521, Q522, Q523, Q524, Q525, Q526, Q527, Q528, Q529, Q530, Q531, Q532, Q533, Q534, Q535, Q536, Q537, Q538, Q539, Q540, Q541, Q542, Q543, Q544, Q545, Q546, Q547, Q548, Q549, Q550, Q551, Q552, Q553, Q554, Q555, Q556, Q557, Q558, Q559, Q560, Q561, Q562, Q563, Q564, Q565, Q566, Q567, Q568, Q569, Q570, Q571, Q572, Q573, Q574, Q575, Q576, Q577, Q578, Q579, Q580, Q581, Q582, Q583, Q584, Q585, Q586, Q587, Q588, Q589, Q590, Q591, Q592, Q593, Q594, Q595, Q596, Q597, Q598, Q599, Q600, Q601, Q602, Q603, Q604, Q605, Q606, Q607, Q608, Q609, Q610, Q611, Q612, Q613, Q614, Q615, Q616, Q617, Q618, Q619, Q620, Q621, Q622, Q623, Q624, Q625, Q626, Q627, Q628, Q629, Q630, Q631, Q632, Q633, Q634, Q635, Q636, Q637, Q638, Q639, Q640, Q641, Q642, Q643, Q644, Q645, Q646, Q647, Q648, Q649, Q650, Q651, Q652, Q653, Q654, Q655, Q656, Q657, Q658, Q659, Q660, Q661, Q662, Q663, Q664, Q665, Q666, Q667, Q668, Q669, Q670, Q671, Q672, Q673, Q674, Q675, Q676, Q677, Q678, Q679, Q680, Q681, Q682, Q683, Q684, Q685, Q686, Q687, Q688, Q689, Q690, Q691, Q692, Q693, Q694, Q695, Q696, Q697, Q698, Q699, Q700, Q701, Q702, Q703, Q704, Q705, Q706, Q707, Q708, Q709, Q710, Q711, Q712, Q713, Q714, Q715, Q716, Q717, Q718, Q719, Q720, Q721, Q722, Q723, Q724, Q725, Q726, Q727, Q728, Q729, Q730, Q731, Q732, Q733, Q734, Q735, Q736, Q737, Q738, Q739, Q740, Q741, Q742, Q743, Q744, Q745, Q746, Q747, Q748, Q749, Q750, Q751, Q752, Q753, Q754, Q755, Q756, Q757, Q758, Q759, Q760, Q761, Q762, Q763, Q764, Q765, Q766, Q767, Q768, Q769, Q770, Q771, Q772, Q773, Q774, Q775, Q776, Q777, Q778, Q779, Q780, Q781, Q782, Q783, Q784, Q785, Q786, Q787, Q788, Q789, Q790, Q791, Q792, Q793, Q794, Q795, Q796, Q797, Q798, Q799, Q800, Q801, Q802, Q803, Q804, Q805, Q806, Q807, Q808, Q809, Q810, Q811, Q812, Q813, Q814, Q815, Q816, Q817, Q818, Q819, Q820, Q821, Q822, Q823, Q824, Q825, Q826, Q827, Q828, Q829, Q830, Q831, Q832, Q833, Q834, Q835, Q836, Q837, Q838, Q839, Q840, Q841, Q842, Q843, Q844, Q845, Q846, Q847, Q848, Q849, Q850, Q851, Q852, Q853, Q854, Q855, Q856, Q857, Q858, Q859, Q860, Q861, Q862, Q863, Q864, Q865, Q866, Q867, Q868, Q869, Q870, Q871, Q872, Q873, Q874, Q875, Q876, Q877, Q878, Q879, Q880, Q881, Q882, Q883, Q884, Q885, Q886, Q887, Q888, Q889, Q890, Q891, Q892, Q893, Q894, Q895, Q896, Q897, Q898, Q899, Q900, Q901, Q902, Q903, Q904, Q905, Q906, Q907, Q908, Q909, Q910, Q911, Q912, Q913, Q914, Q915, Q916, Q917, Q918, Q919, Q920, Q921, Q922, Q923, Q924, Q925, Q926, Q927, Q928, Q929, Q930, Q931, Q932, Q933, Q934, Q935, Q936, Q937, Q938, Q939, Q940, Q941, Q942, Q943, Q944, Q945, Q946, Q947, Q948, Q949, Q950, Q951, Q952, Q953, Q954, Q955, Q956, Q957, Q958, Q959, Q960, Q961, Q962, Q963, Q964, Q965, Q966, Q967, Q968, Q969, Q970, Q971, Q972, Q973, Q974, Q975, Q976, Q977, Q978, Q979, Q980, Q981, Q982, Q983, Q984, Q985, Q986, Q987, Q988, Q989, Q990, Q991, Q992, Q993, Q994, Q995, Q996, Q997, Q998, Q999, Q1000.



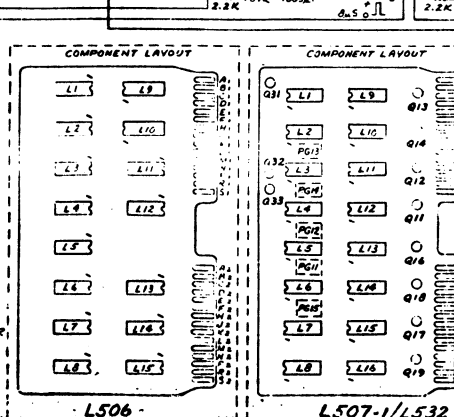
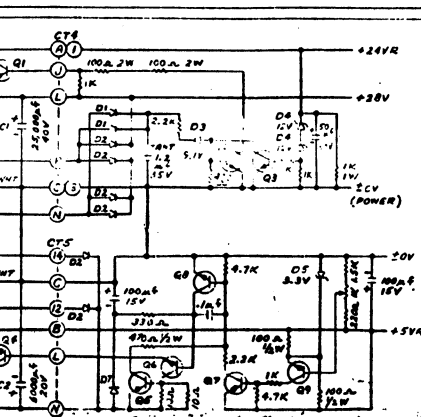
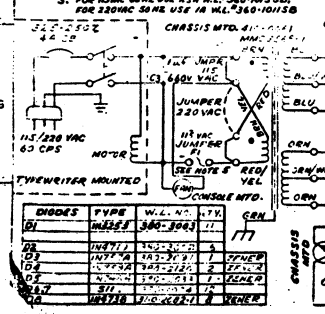
COMPONENT	TYPE	W.L. NO.	TERM	PORT	TERM	PORT	QTY
L506	IC	7418	1	1	1	1	1
L507	IC	7418	1	1	1	1	1
6035	IC	7418	1	1	1	1	1



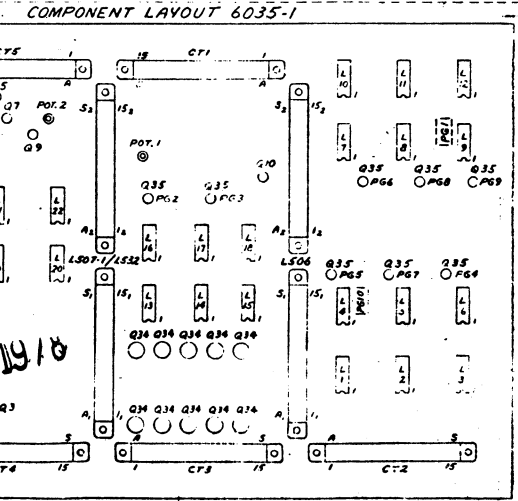
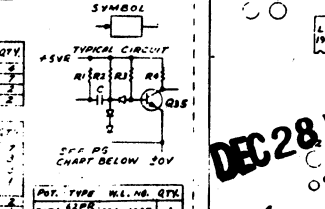
WANG	DATE	APPROVED BY
702		



NOTE:  
 1. ALL RESISTORS ARE 1/4W 10% UNLESS OTHERWISE SPECIFIED.  
 2. ALL DIODES ARE 1N4001 UNLESS OTHERWISE SPECIFIED.  
 3. CHASSIS MOUNTED COMPONENTS ARE IDENTIFIED BY THE CHASSIS MOUNTED SYMBOL.  
 4. FOR 120VAC USE IN WELDED HOUSING FOR 120VAC USE IN WELDED HOUSING.

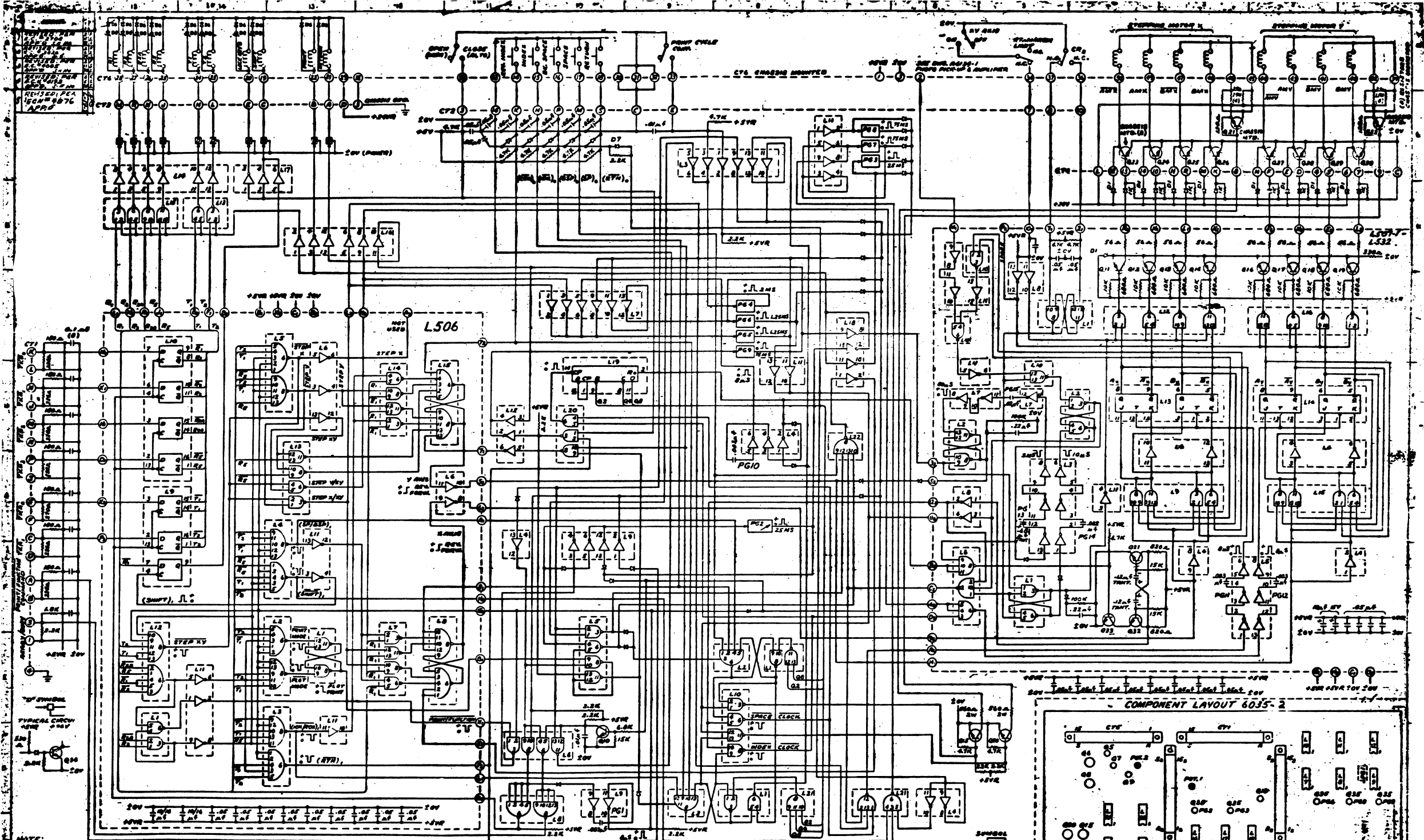


6035-1 I.C. LOCATION	TYPE	W.L. NO.	FORM FOR PART NO.	QTY
L1, L2, L3, L4, L5, L6, L7, L8	RESISTOR	9946, 9930, 9931, 9932, 9933, 9934, 9935, 9936, 9937, 9938, 9939, 9940, 9941, 9942, 9943, 9944, 9945, 9946, 9947, 9948, 9949, 9950, 9951, 9952, 9953, 9954, 9955, 9956, 9957, 9958, 9959, 9960, 9961, 9962, 9963, 9964, 9965, 9966, 9967, 9968, 9969, 9970, 9971, 9972, 9973, 9974, 9975, 9976, 9977, 9978, 9979, 9980, 9981, 9982, 9983, 9984, 9985, 9986, 9987, 9988, 9989, 9990, 9991, 9992, 9993, 9994, 9995, 9996, 9997, 9998, 9999, 10000	1000-10000	1
Q1, Q2, Q3, Q4, Q5, Q6, Q7, Q8, Q9, Q10, Q11, Q12	TRANSISTOR	9946, 9930, 9931, 9932, 9933, 9934, 9935, 9936, 9937, 9938, 9939, 9940, 9941, 9942, 9943, 9944, 9945, 9946, 9947, 9948, 9949, 9950, 9951, 9952, 9953, 9954, 9955, 9956, 9957, 9958, 9959, 9960, 9961, 9962, 9963, 9964, 9965, 9966, 9967, 9968, 9969, 9970, 9971, 9972, 9973, 9974, 9975, 9976, 9977, 9978, 9979, 9980, 9981, 9982, 9983, 9984, 9985, 9986, 9987, 9988, 9989, 9990, 9991, 9992, 9993, 9994, 9995, 9996, 9997, 9998, 9999, 10000	1000-10000	1

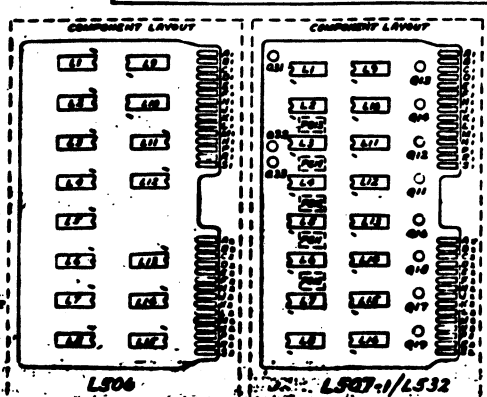
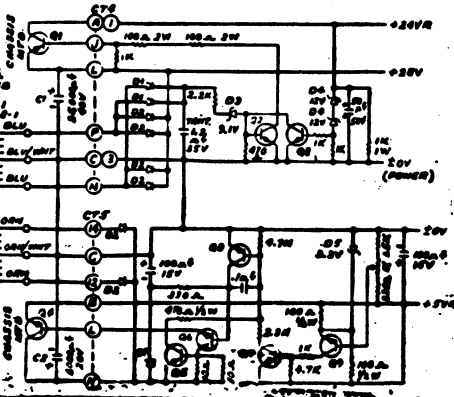


DEC 28 1978

WANG  
 602/102/2202  
 TITLE BLOCK CIRCUIT DIAGRAM  
 E 6033-1

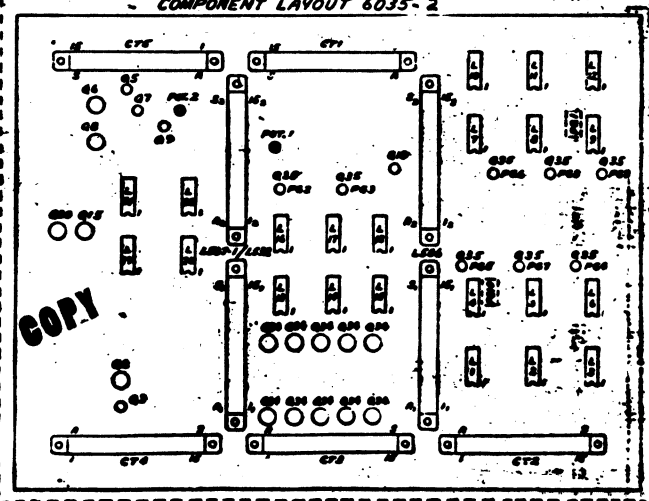


**NOTE:**  
 1. ALL RESISTORS ARE 1/4W 10% UNLESS OTHERWISE SPECIFIED.  
 2. ALL DIODES ARE 1N4001 UNLESS OTHERWISE SPECIFIED.  
 3. CAPACITORS ARE 50V UNLESS OTHERWISE SPECIFIED.  
 4. ALL CAPACITORS ARE 50V UNLESS OTHERWISE SPECIFIED.  
 5. ALL CAPACITORS ARE 50V UNLESS OTHERWISE SPECIFIED.  
 6. ALL CAPACITORS ARE 50V UNLESS OTHERWISE SPECIFIED.



IC LOCATION	TYPE	QTY	W.L. NO.	REV. NO.	TESTED	DATE	BY
L506	7410	1	100-1001	1			
L507	7410	1	100-1001	1			
L532	7410	1	100-1001	1			

IC LOCATION	TYPE	QTY	W.L. NO.	REV. NO.	TESTED	DATE	BY
L506	7410	1	100-1001	1			
L507	7410	1	100-1001	1			
L532	7410	1	100-1001	1			

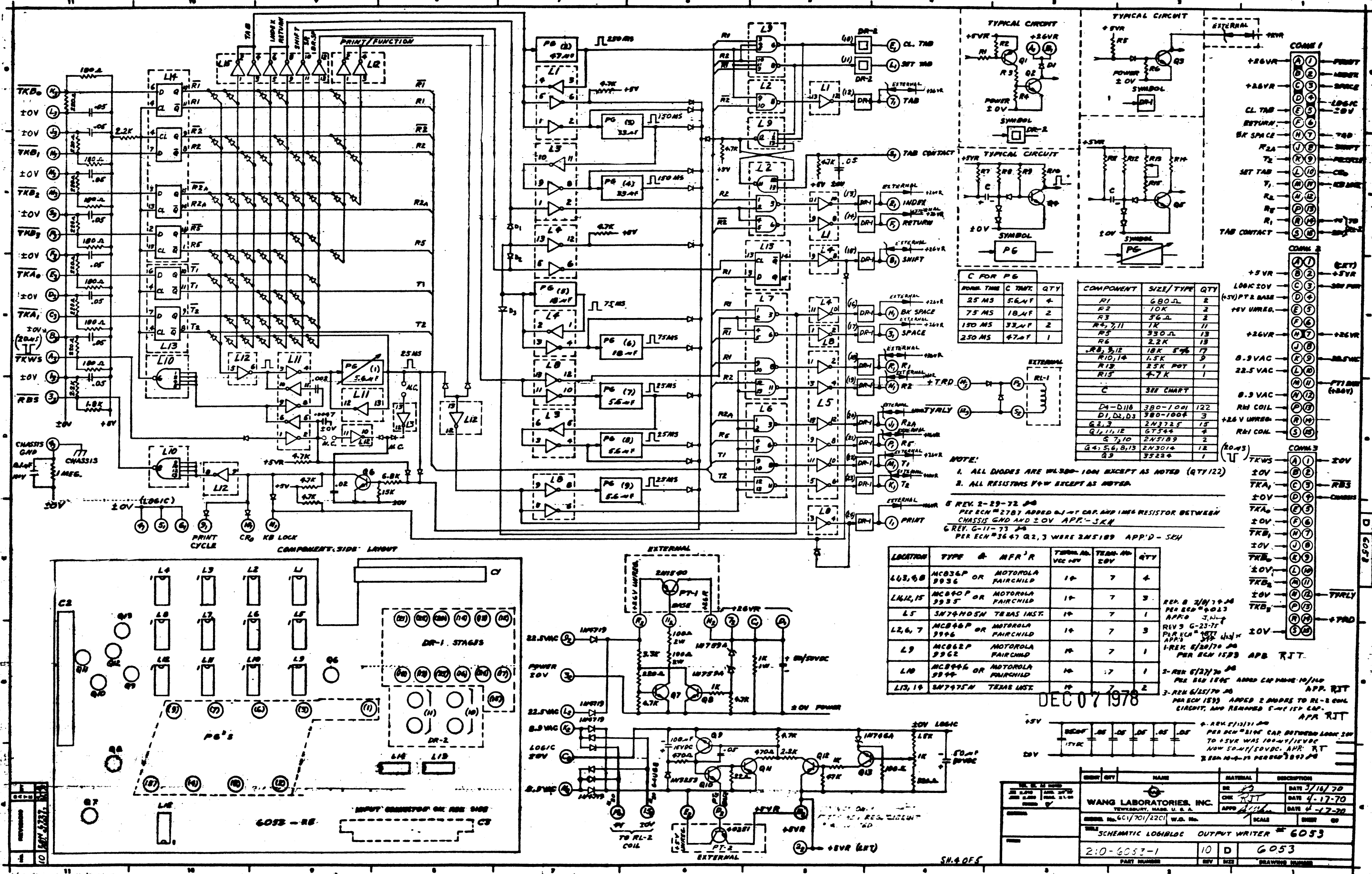


**COPY**

**WANG**

6035-2/202

6035-2



C FOR PG

FORM. TIME	C TIME	QTY
25 MS	5.6nF	4
75 MS	18nF	2
150 MS	33nF	2
250 MS	47nF	1

COMPONENT	SIZE/TYPE	QTY
R1	680Ω	2
R2	10K	2
R3	56Ω	2
R4, 7, 11	1K	11
R5	330Ω	13
R6	2.2K	13
R8, 9, 12	18K 5% 1/2W	17
R10, 14	1.5K	3
R19	2.5K POT	1
R15	4.7K	1
C	SEE CHART	
D1-D18	380-100μ	122
D1, D2, D3	380-100μ	3
G2, 3	2N3725	15
Q1, 11, 12	6T54A	4
G7, 10	2N3189	2
G4, 5, 6, 8, 13	2N3014	12
Q3	35224	1

NOTE:  
 1. ALL DIODES ARE 1N4001 EXCEPT AS NOTED (QTY/122)  
 2. ALL RESISTORS 1/4W EXCEPT AS NOTED  
 3. REV. 2-29-72 J4  
 PER ECH #2781 ADDED 0.1μF CAP. AND 1MΩ RESISTOR BETWEEN CHASSIS GND AND 2.0V APP. - SKH  
 6. REV. 6-11-73 J4  
 PER ECH #3647 Q2, 3 WERE 2N5189 APP'D - SKH

LOCATION	TYPE & MFR'S	TERM. NO. VDC HV	TERM. NO. 20V	QTY
L4, 5, 6	MC836P OR MOTOROLA 9936 FAIRCHILD	14	7	4
L12, 15	MC840P OR MOTOROLA 9935 FAIRCHILD	14	7	3
L5	SN74H05N TEXAS INST.	14	7	1
L2, 6, 7	MC846P OR MOTOROLA 9946 FAIRCHILD	14	7	3
L9	MC862P MOTOROLA 9962 FAIRCHILD	14	7	1
L10	MC8946 OR MOTOROLA 9944 FAIRCHILD	14	7	1
L13, 19	SN7497N TEXAS INST.	14	7	2

DEC 07 1978

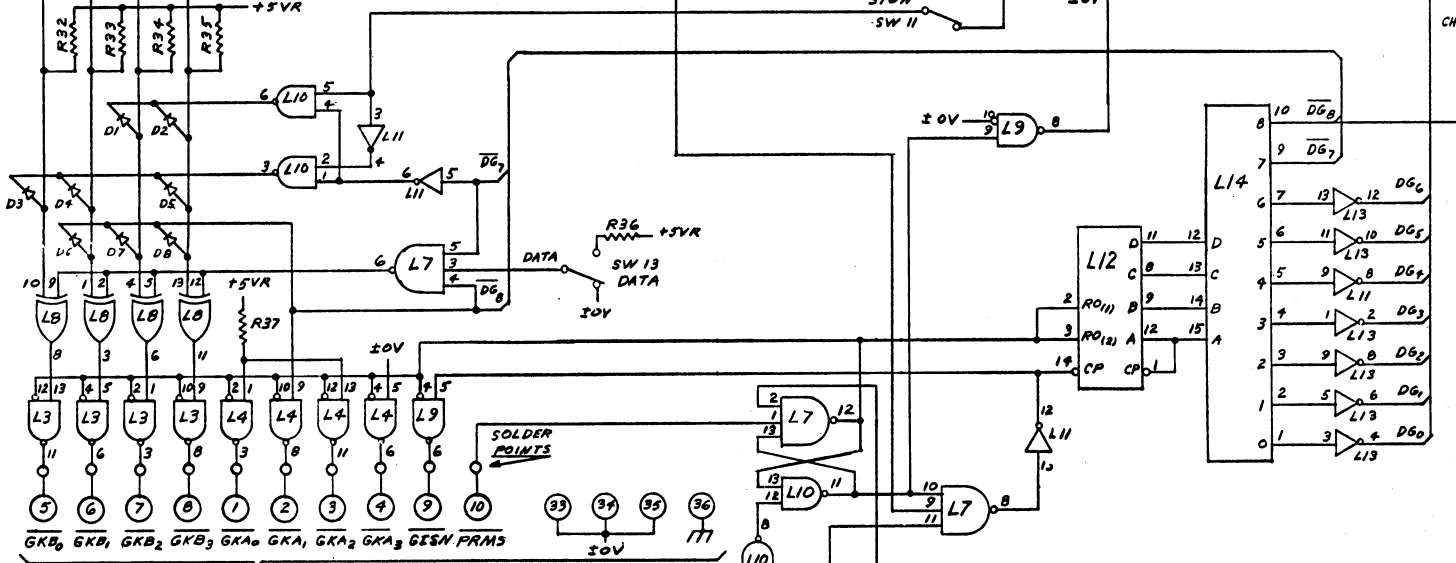
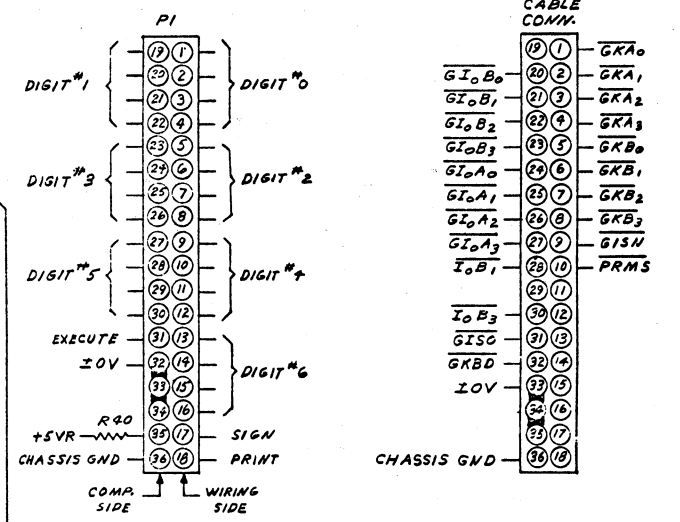
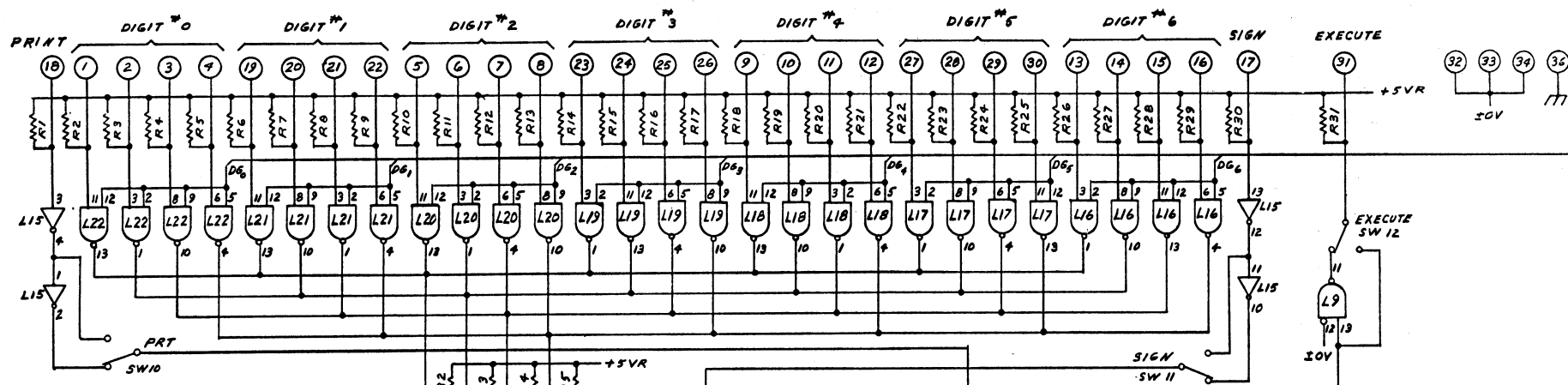
REV. 8 2/17/74 J4  
 PER ECH #4013  
 APP'D - J.N.L.  
 REV. 3 6-23-77  
 PER ECH #4571 J4  
 APP'D - J.P.T.  
 1-REV. 8/28/70 J4  
 PER ECH 1593 APP. R.J.T.  
 2-REV. 6/27/70 J4  
 PER ECH 1594 ADDED CAP VALUE 10/140  
 APP. R.J.T.  
 3-REV. 6/25/70 J4  
 PER ECH 1595 ADDED 2 DIODES TO RL-2 COIL  
 CIRCUIT, AND REMOVED 5.6μF CAP.  
 APP. R.J.T.  
 4-REV. 11/17/71 J4  
 PER ECH #2191 CAP. BUTTERED LOGIC SW  
 TO +5V WAS 100nF/10VDC  
 NOW 50nF/10VDC. APP. R.J.T.  
 2. ECH 10-4-75 PER ECH #3972 J4

REV.	DATE	BY	DESCRIPTION
1	3-16-70	J.P.T.	INITIAL DESIGN
2	4-17-70	J.P.T.	REVISED FOR MANUFACTURE
3	4-17-70	J.P.T.	REVISED FOR MANUFACTURE

WANG LABORATORIES, INC.  
 TELETYPE UNIT, MADE U.S.A.  
 MODEL NO. 6053/701/2201 W.D. NO.  
 SCALE: 1:1  
 SHEET 10 OF 10

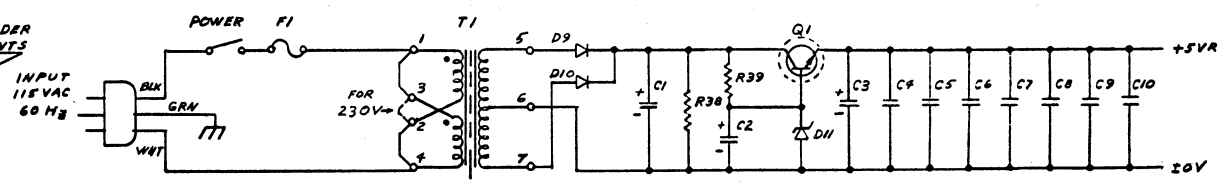
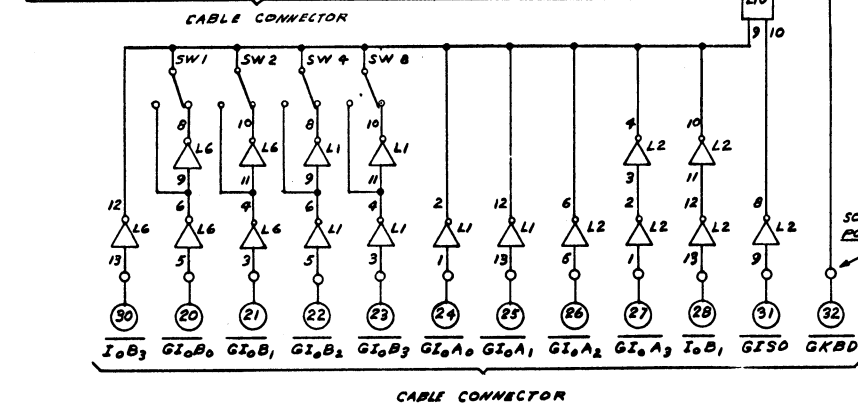
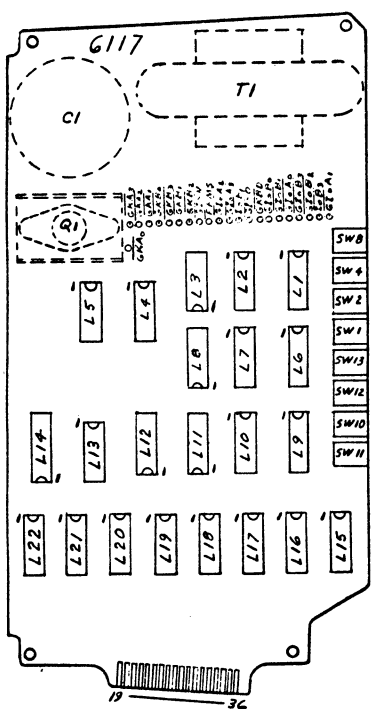
SCHEMATIC LOGIC OUTPUT WRITER 6053  
 210-6053-1 10 D 6053  
 PART NUMBER DIV SIZE DRAWING NUMBER

DO NOT SCALE



LOCATION	TYPE	WANG LAB. No.	TERM. No. VCC	TERM. No. +5VR	TERM. No. IOV	QTY
L3, 4, 9	STC9	376-0078	14	7	3	
L16, 17, 18, 19, 20, 21, 22	SN7401N	376-0015	14	7	7	
L11, 13, 15	SN7404N	376-0010	14	7	3	
L7	SN7410N	376-0003	14	7	1	
L14	SN7422N	376-0008	16	8	1	
L8	SN7486N	376-0036	14	7	1	
L12	SN7493N	376-0011	5	10	1	
L2	9936	376-0026	14	7	1	
L10	9946	376-0023	14	7	1	
L1, 6	SN7405N	376-0023	14	7	2	
L5	9935	376-0025	14	7	1	

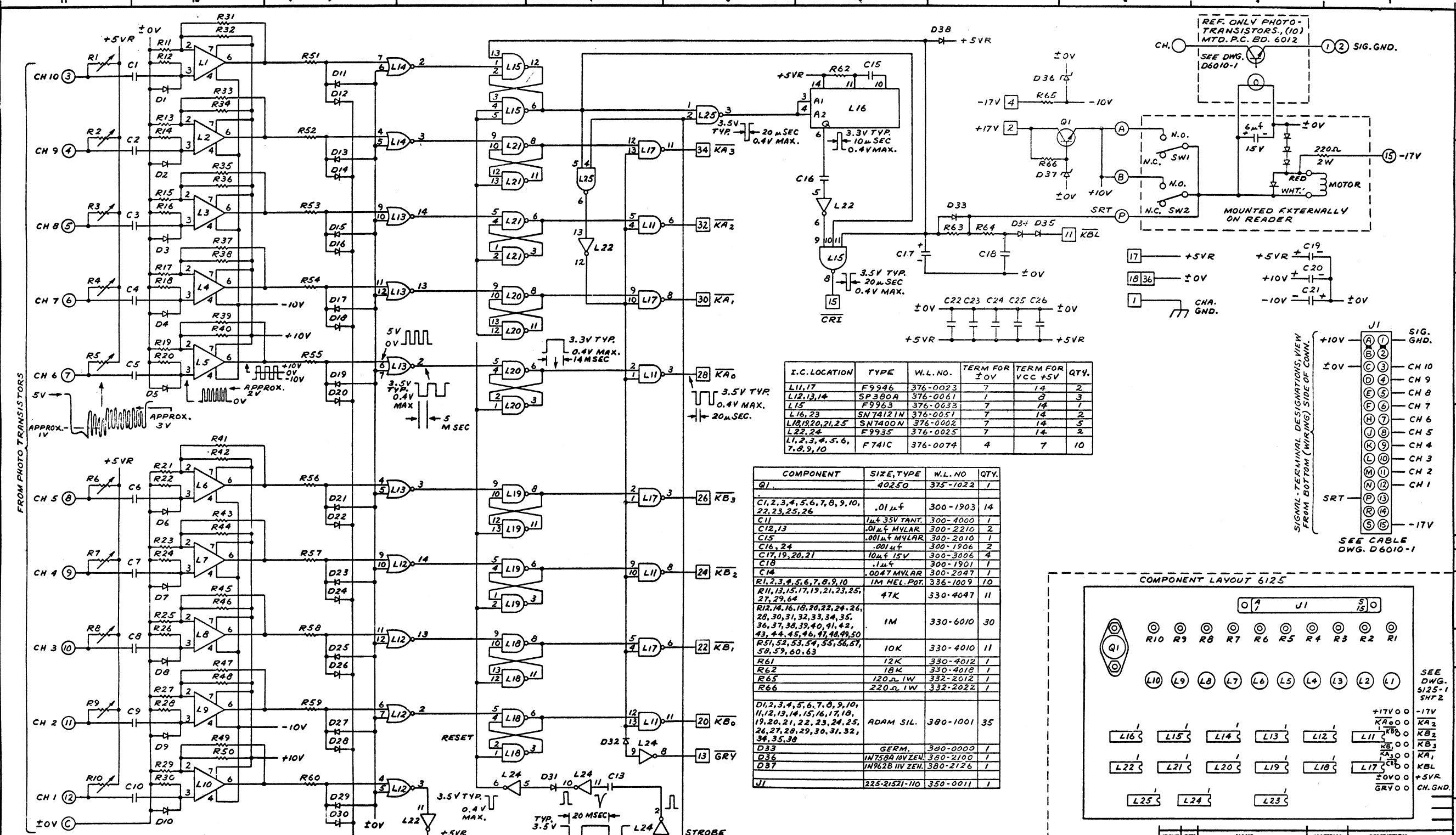
COMPONENT	SIZE/TYPE	WANG LAB. No.	QTY
Q1	40250V1	375-1028	1
R1 THRU R30, 37	47K 1/4W	330-4047	31
R31	470 1/4W	330-2047	1
R36, 38	10K 1/4W	330-4010	2
R32, 33, 34, 35	1.5K 1/4W	330-3015	4
R39	47 1/4W	330-1047	1
R40	10 1/4W	330-1010	1
C1	4000-NT 15VDC	300-3016	1
C2, 3	10 1/4W 15VDC	300-1900	2
C4 THRU C10	.05 1/4W	300-1900	7
D1 THRU D8	1N4003	380-4000	2
D9, 10	1N752A	380-2056	1
D11	1N4001	380-1906	1
C12	.22 1/4W	300-1702	1
T1	MHC-9051	410-0057	1
F1	1/25ASB110VAC	360-1000	1
	FUSE CLIP	360-0032	2
	RIVET	551-0501	2
	.0625ASB220VAC	360-0900	1
S1, 2, 4, 8, 10, 11, 12, 13	SPDT	925-2105	8



NO.	REVISION

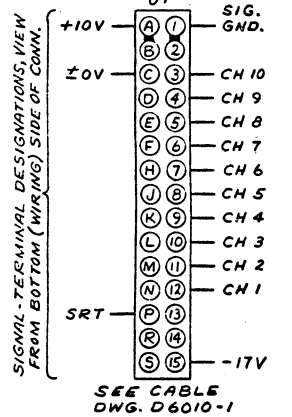
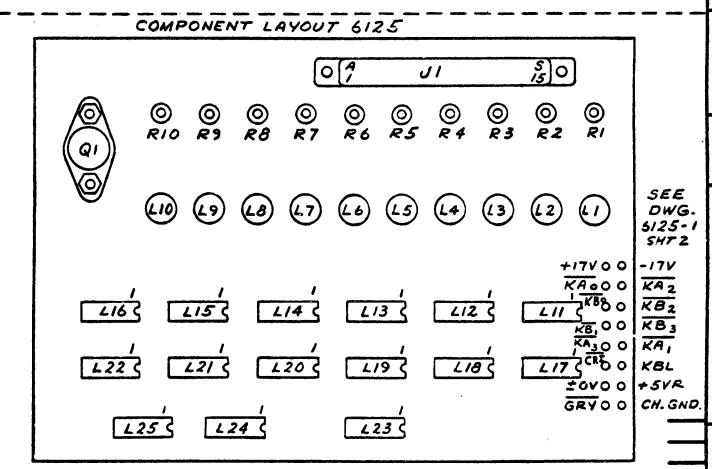
VOL. 51, AS NOTED		IDENT	QTY	NAME	MATERIAL	DESCRIPTION
JUL 22/69	REV. 22/69	DR		DATE 7/2/71		
JUL 22/69	PRAC. 21/69	CHK		DATE 11/17/71		
		APPR		DATE 10/6/71		
WANG LABORATORIES, INC. TEMPERLEY, MASS. U. S. A.		MODEL No.	705	W.O. No.		SCALE 1/1
		TITLE	SCHEMATIC, LOGIBLOC, INTERFACE 6117			
		PART NUMBER		REV		DRAWING NUMBER
					D	6117-1

DO NOT SCALE



I.C. LOCATION	TYPE	W.L. NO.	TERM FOR ±0V	TERM FOR VCC +5V	QTY.
L11,17	F9946	376-0023	7	14	2
L12,13,14	SP380A	376-0061	1	2	3
L15	F9963	376-0033	7	14	1
L16,23	SN74121N	376-0051	7	14	2
L18,19,20,21,25	SN7400N	376-0002	7	14	5
L22,24	F9935	376-0025	7	14	2
L1,2,3,4,5,6,7,8,9,10	F741C	376-0074	4	7	10

COMPONENT	SIZE, TYPE	W.L. NO	QTY.
Q1	40250	375-1022	1
C1,2,3,4,5,6,7,8,9,10,22,23,25,26	.01µF	300-1903	14
C11	1µF 35V TANT.	300-4000	1
C12,13	.01µF MYLAR	300-2210	2
C15	.001µF MYLAR	300-2010	1
C16,24	.001µF	300-1906	2
C17,19,20,21	10µF 15V	300-3006	4
C18	.1µF	300-1901	1
C14	.0047 MYLAR	300-2047	1
R1,2,3,4,5,6,7,8,9,10	1M HEL.POT.	336-1009	10
R11,13,15,17,19,21,23,25,27,29,64	47K	330-4047	11
R12,14,16,18,20,22,24,26,28,30,31,32,33,34,35,36,37,38,39,40,41,42,43,44,45,46,47,48,49,50	1M	330-6010	30
R51,52,53,54,55,56,57,58,59,60,63	10K	330-4010	11
R61	12K	330-4012	1
R62	18K	330-4018	1
R65	120Ω 1W	332-2012	1
R66	220Ω 1W	332-2022	1
D1,2,3,4,5,6,7,8,9,10,11,12,13,14,15,16,17,18,19,20,21,22,23,24,25,26,27,28,29,30,31,32,34,35,38	ADAM SIL.	380-1001	35
D33	GERM.	380-0000	1
D36	INT58A INV.ZEN.	380-2100	1
D37	INT62B INV.ZEN.	380-2126	1
J1	225-21521-10	350-0011	1

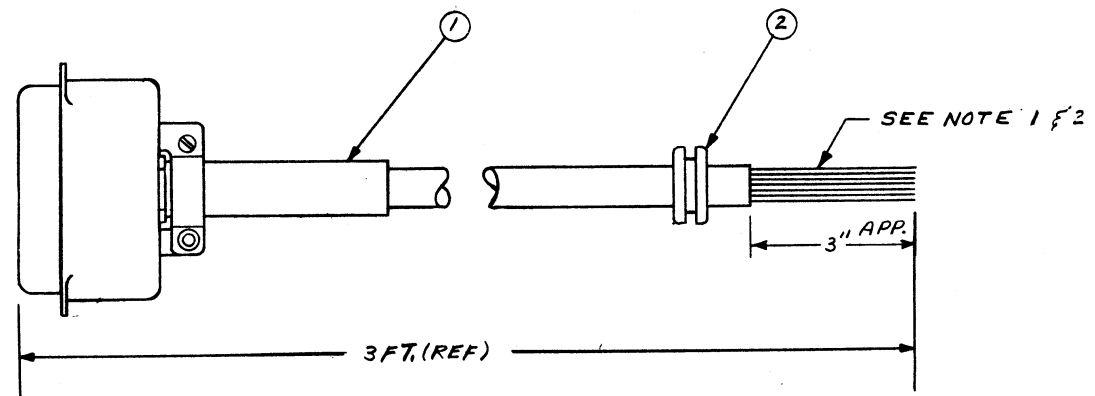


NO.	REVISION	BY	DATE	DESCRIPTION
1	REVISED PER EC-2608	...	...	...
2	REVISED PER EC-2608	...	...	...
3	REVISED PER EC-2608	...	...	...
4	REVISED PER EC-2608	...	...	...
5	APPLIED SHT 2	...	...	...

NOTE: 1. PIN NO.'S P1 FROM DWG. 6125-1 SHT 2 OF 2

SHEET 2 OF 2 OF THIS DWG "C" SIZE

IDENT	QTY	NAME	MATERIAL	DESCRIPTION
DR	F.S.S.	DATE	6-12-71	
CHK	...	DATE	10/26/71	
APPD	...	DATE	10/26/71	
MODEL No.	514	W.O. No.		SCALE
TITLE	MARK SENSE CARD READER, SCHEMATIC LOGIC			
PART NUMBER	5 D	REV	6125-1	DRAWING NUMBER




ASSEMBLY	CABLE		
SIGNAL	SEE DWG. 6125-1 FOR S.P.	WIRE NO.	PIN NO.
CN.GND.	-	1	1
+17	-	2	2
		3	3
-17V	-	4	4
		5	5
		6	6
		7	7
		8	8
		9	9
		10	10
KBL	-	11	11
		12	12
GRY	-	13	13
		14	14
CRF	-	15	15
		16	16
+5VR	-	17	17
±0V	-	18	18

ASSEMBLY	CABLE		
SIGNAL	SEE DWG. 6125-1 FOR S.P.	WIRE NO.	PIN NO.
		19	19
KB <sub>0</sub>	-	20	20
		21	21
KB <sub>1</sub>	-	22	22
		23	23
KB <sub>2</sub>	-	24	24
		25	25
KB <sub>3</sub>	-	26	26
		27	27
KA <sub>0</sub>	-	28	28
		29	29
KA <sub>1</sub>	-	30	30
		31	31
KA <sub>2</sub>	-	32	32
		33	33
KA <sub>3</sub>	-	34	34
		35	35
±0V	-	36	36

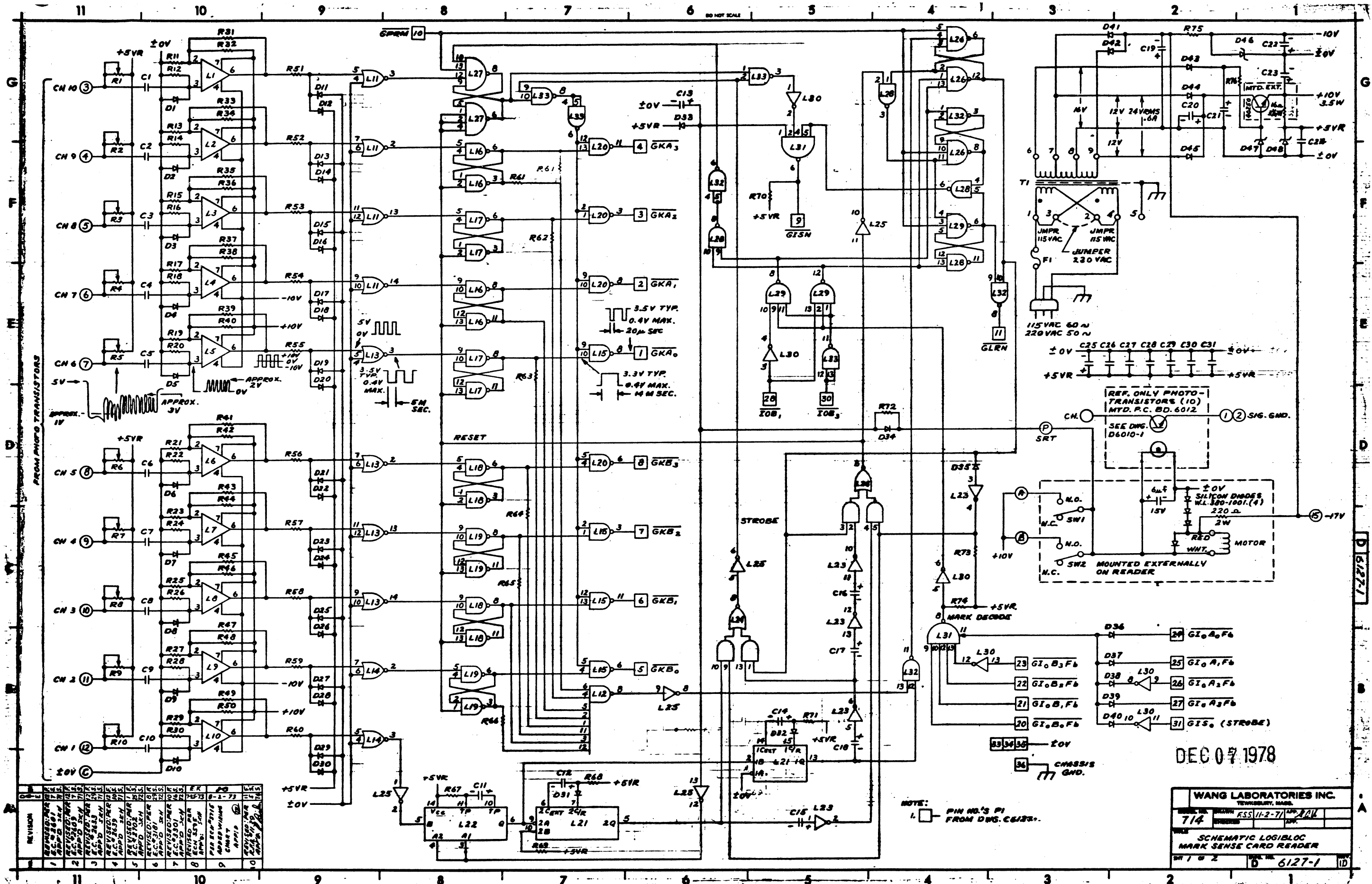
ITEM NO.	W.L. NO.	NAME	DESCRIPTION	QTY.
1	20-2636-3	CABLE ASSY TYPE 2	SEE DWG. CG482-2	1
2	54-1212	GROMMET	5/16 ID FOR 7/16 HOLE	1

NOTE:  
 1. ASSEMBLE ITEM NO. 2 TO ITEM NO. 1 PRIOR TO WIRING, STRIP OUTER INSULATION OF ITEM NO. 1 TO DIM. SHOWN  
 2. FOLD BACK ALL UNUSED WIRES AND TIE

SHEET 2 OF 2

WANG LABORATORIES INC. 			
TEWKSBURY, MASS.			
MODEL NO.	DRAWN E.S.S.	10-20-71	APP. <i>H.R.I.</i>
514	CHECKED		APP.
TITLE			
MARK SENSE CARD READER INTER-CONNECTING CABLE TO 500 CALC.			
W.O. NO.	DWG. NO.	6125-1	REV. 5

1-52190 ON DWG



FROM PHOTO TRANSISTORS

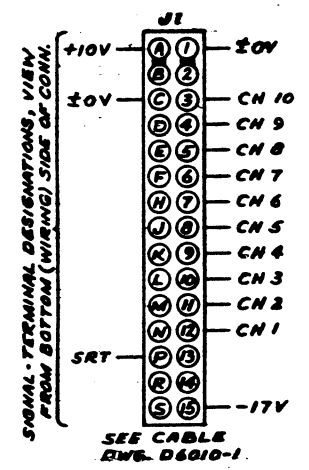
REV	DATE	BY	CHKD	DESCRIPTION
1	11-15-78	...	...	...
2	11-15-78	...	...	...
3	11-15-78	...	...	...
4	11-15-78	...	...	...
5	11-15-78	...	...	...
6	11-15-78	...	...	...
7	11-15-78	...	...	...
8	11-15-78	...	...	...
9	11-15-78	...	...	...
10	11-15-78	...	...	...

DEC 07 1978

**WANG LABORATORIES INC.**  
 TECHNOLOGY, MADE IN U.S.A.  
 MODEL NO. 714  
 REVISION 714  
 DATE 11-2-78  
 BY RAL  
 CHECKED BY  
 APPROVED BY  
 SCHEMATIC LOGIBLOC  
 MARK SENSE CARD READER  
 DR 1 G 2  
 D 6127-1

NOTE:  
 L PIN NO.'S FROM DMS 6127-1



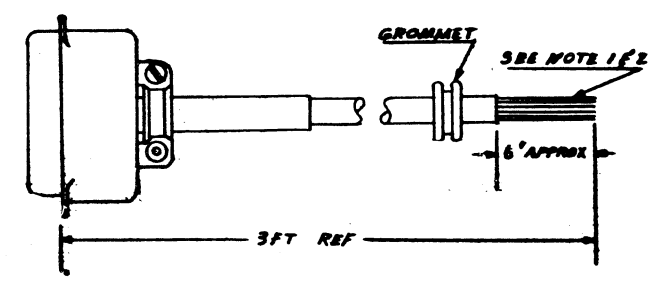


COMPONENT	SIZE, TYPE	W.L. NO.	QTY.
C1,2,3,4,5,6,7,8,9,10	.01μf 25V	300-1903	10
C11	1μf 100V	300-2290	1
C12	.0022μf 100V	300-2022	1
C13,23,24,25	10μf 15V	300-3006	4
C14,16,17	.0047μf 100V	300-2047	3
C15,18	.01μf 100V	300-2110	2
C19	500μf 25V	300-3021	1
C20	3000μf 15V	300-3015	1
C21	100μf 25V	300-3033	1
C22,26,27,28,29,30,31	.05μf 12V	300-1900	7
R1,2,3,4,5,6,7,8,9,10	1M MEL. POT.	336-1009	10
R11,13,15,17,19,21,23,25,27,29	47K 1/4W	330-4047	10
R12,14,16,18,20,22,24,26,28,30,31,32,33,34,35,36,37,38,39,40,41,42,43,44,45,46,47,48,49,50	1M 1/4W	330-6010	30
R51,52,53,54,55,56,57,58,59,60,72	10K 1/4W	330-4010	11
R61,62,63,64,65,66	2.7Ω 1/4W	330-3027	6
R67	18K 1/4W	330-4018	1
R68,71	39K 1/4W	330-4039	2
R69	5.6K 1/4W	330-3056	1
R70,74	4.7K 1/4W	330-3047	2
R73	1K 1/2W	331-3010	1
R75	120Ω 1/2W	331-2012	1
R76	220Ω 1W	332-2022	1

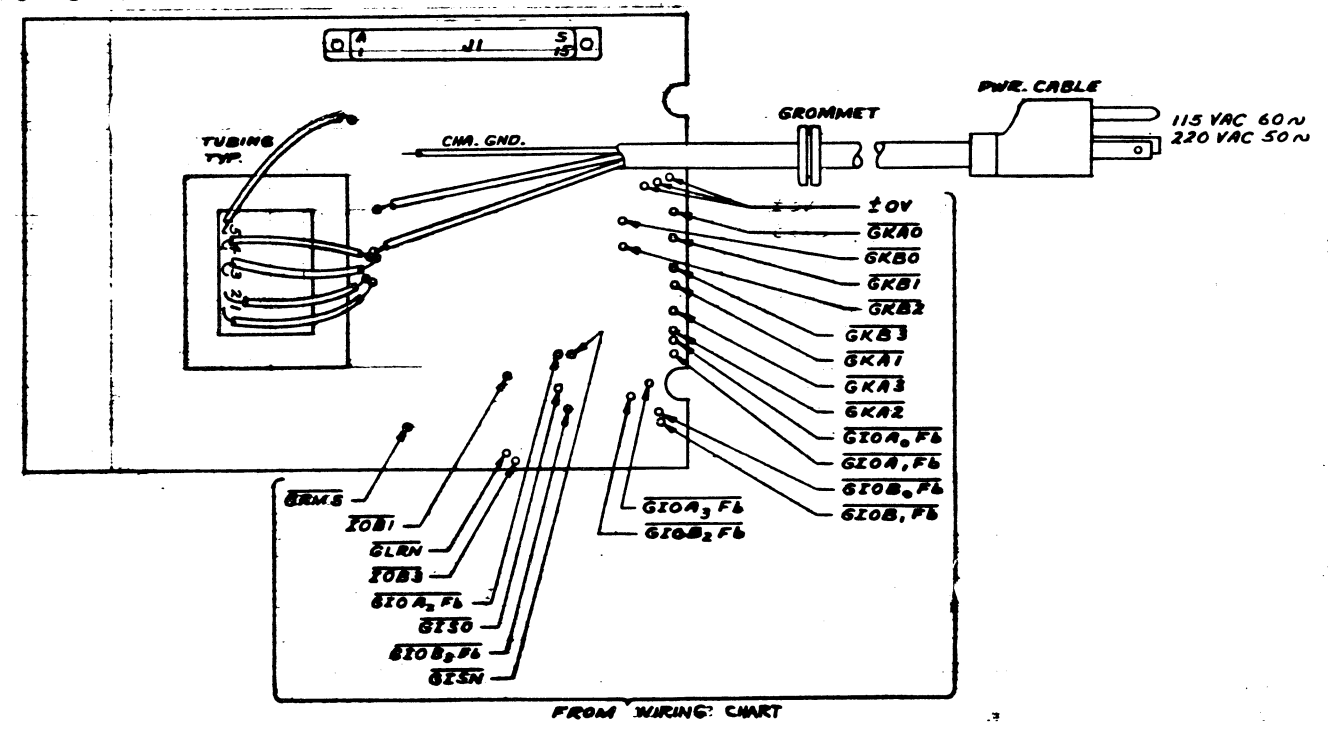
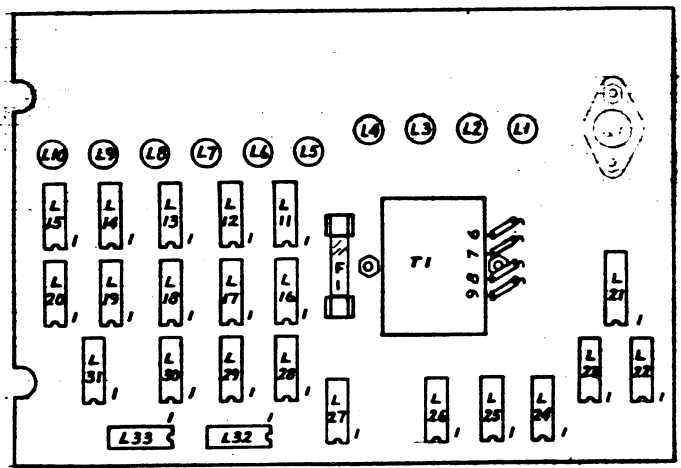
COMPONENT	SIZE, TYPE	W.L. NO.	QTY.
D1,2,3,4,5,6,7,8,9,10,11,12,13,14,15,16,17,18,19,20,21,22,23,24,25,26,27,28,29,30,31,32,35,36,37,38,39,40	ADAM SIL.	380-1001	38
D33,34	GERM	380-0000	2
D41,42,43,44,45	EM403 REC.	380-4000	5
D46	IN750A NY ZEN	380-2100	1
D47	IN474H NY ZEN	380-2110	1
D48	MM733A NY ZEN	380-2052	1
T1	MMC4234	410-0071	1
J1	225-21521-110	350-0011	1
F1	6/10 AMP	360-1006	1
F1-CLIP	100-200-4A-1	360-0002	2
TUBING	1/4 PVC	605-0011	N/R
PWR. CABLE	3 COND. 6FT.	420-1000	1
GROMMET	3/8 ID FOR 1/2 HOLE	654-1202	2
CABLE ASSY TYPE 2	CG482-2	220-2636-3	1

I.C. LOCATION	TYPE	W.L. NO.	TERM FOR ±0V	TERM FOR VCC +5V	QTY.
L1,2,3,4,5,6,7,8,9,10	F741C	376-0074			10
L11,13,14	SP380A	376-0061	1	8	3
L12	SN7430N	376-0031	7	14	1
L15,20	F9946	376-0023	7	14	2
L16,17,18,19,28,32,33	SN7400N	376-0002	7	14	7
L21	SN74123N	376-0080	8	16	1
L22	SN74121N	376-0051	7	14	1
L23	F9935	376-0025	7	14	1
L24	SN7451N	376-0012	7	14	1
L25,30	SN7404N	376-0010	7	14	2
L26,29	SN7410N	376-0003	7	14	2
L27	SN7420N	376-0004	7	14	1
L31	F9944	376-0024	7	14	1

NOTE:-  
 1. ASSEMBLE GROMMET TO CABLE PRIOR TO WIRING, STRIP OUTER INSULATION TO DIM. SHOWN.  
 2. FOLD BACK ALL UNUSED WIRES AND TIE.



COMPONENT LAYOUT FOR 6127

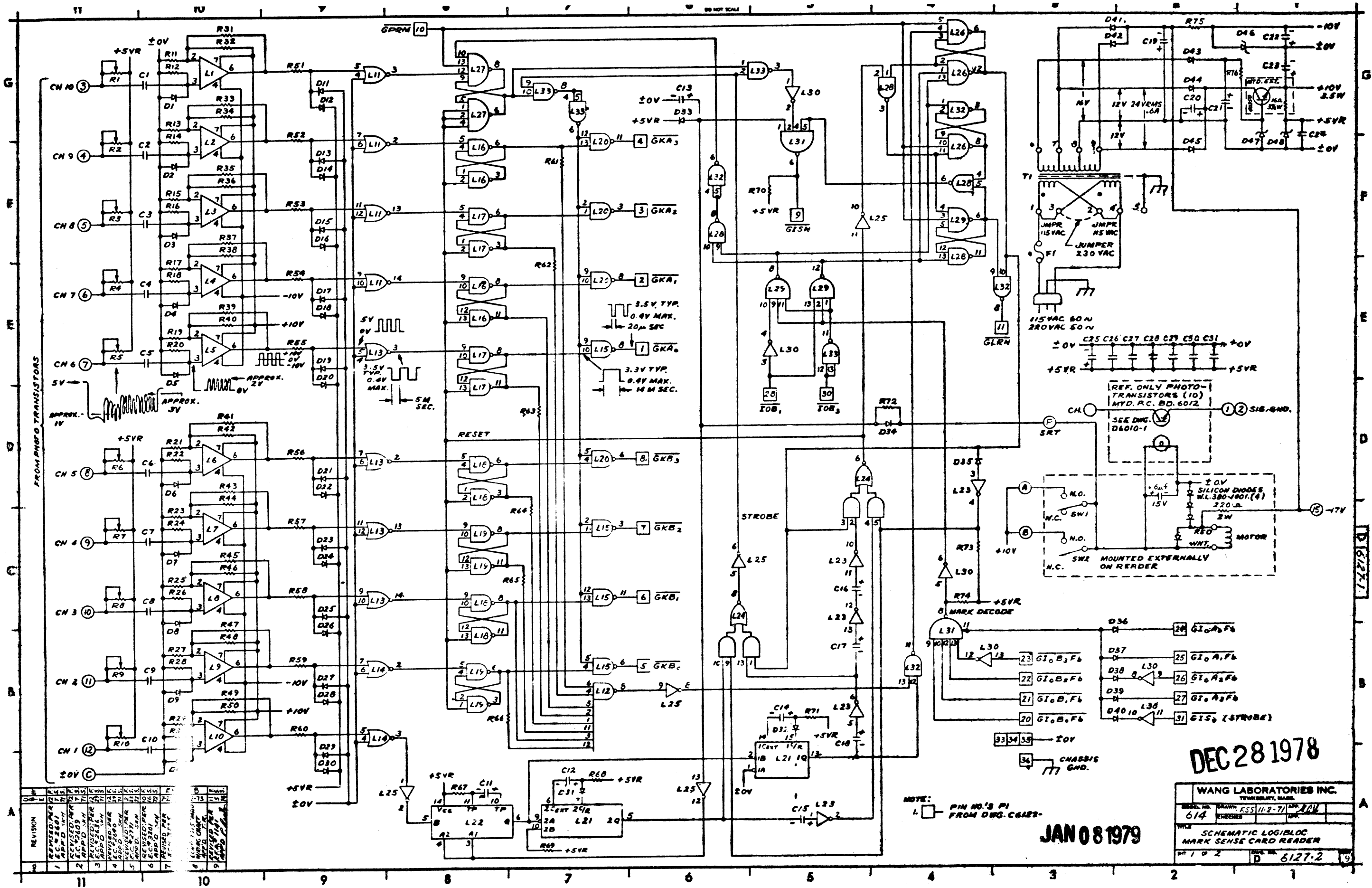


CABLE WIRING CHART

SIGNAL	WIRE NO. (REF.)	PIN NO. (REF.)	SIGNAL	WIRE NO. (REF.)	PIN NO. (REF.)
GKA0	1	1	G10B	19	19
GKA1	2	2	G10B	20	20
GKA2	3	3	G10B1	21	21
GKA3	4	4	G10B2	22	22
GKB0	5	5	G10B3	23	23
GKB1	6	6	G10A0	24	24
GKB2	7	7	G10A1	25	25
GKB3	8	8	G10A2	26	26
G15H	9	9	G10A3	27	27
PRM5	10	10	I0B1	28	28
GLRN	11	11	I0B2	29	29
	12	12	I0B3	30	30
	13	13	G150	31	31
	14	14		32	32
	15	15	±0V	33	33
	16	16	±0V	34	34
	17	17	±0V	35	35
	18	18	CH GND.	36	36

DEC 07 1978

WANG LABORATORIES INC.  
 TETTERBORO, MASS.  
 MODEL NO. 714  
 SERIAL NO. F.S.S. 11-5-71  
 DATE 11/1/78  
 FILE SCHEMATIC LOGIBLOC MARK SENSE CARD READER  
 SR 2 of 2  
 DRAWING NO. 6127-1



FROM PHOTO TRANSISTORS

REV	DESCRIPTION	DATE	BY
1	REVISED PER EC 5540	11/27/78	...
2	REVISED PER EC 5540	11/27/78	...
3	REVISED PER EC 5540	11/27/78	...
4	REVISED PER EC 5540	11/27/78	...
5	REVISED PER EC 5540	11/27/78	...
6	REVISED PER EC 5540	11/27/78	...
7	REVISED PER EC 5540	11/27/78	...
8	REVISED PER EC 5540	11/27/78	...
9	REVISED PER EC 5540	11/27/78	...

NOTE: PIN NO.'S PI FROM DWG. C6127-

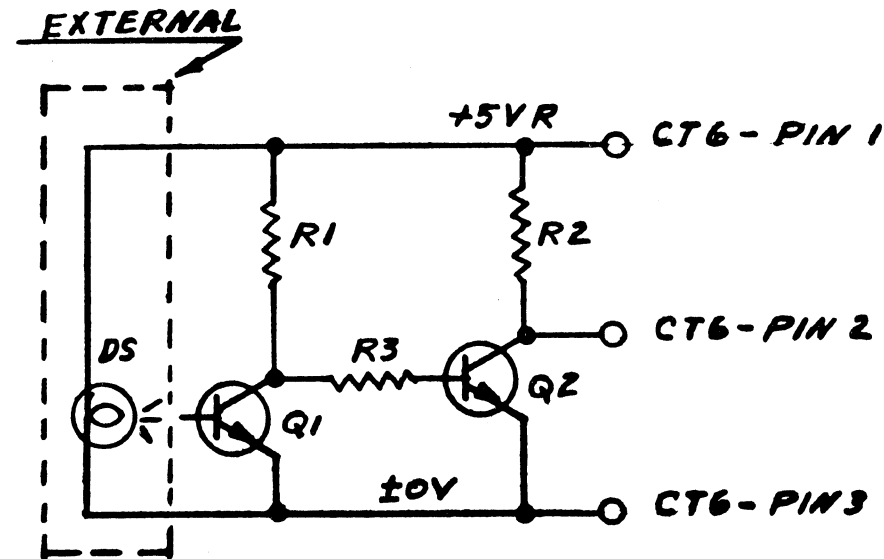
JAN 08 1979

DEC 28 1978

WANG LABORATORIES INC.  
 MODEL NO. 614  
 SCHEMATIC LOGIBLOC MARK SENSE CARD READER  
 DATE 11/27/78  
 Dwg. No. 6127-2



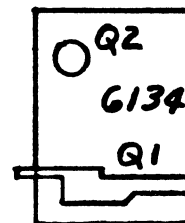
DO NOT SCALE



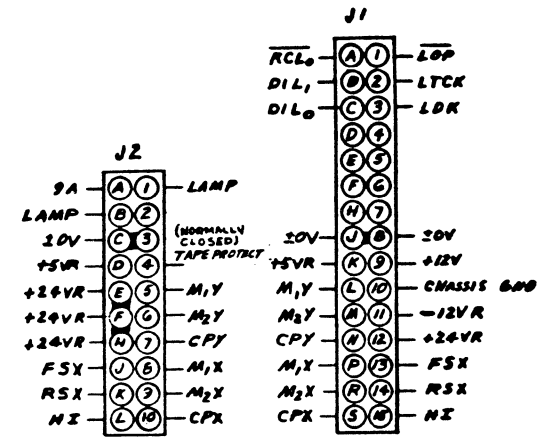
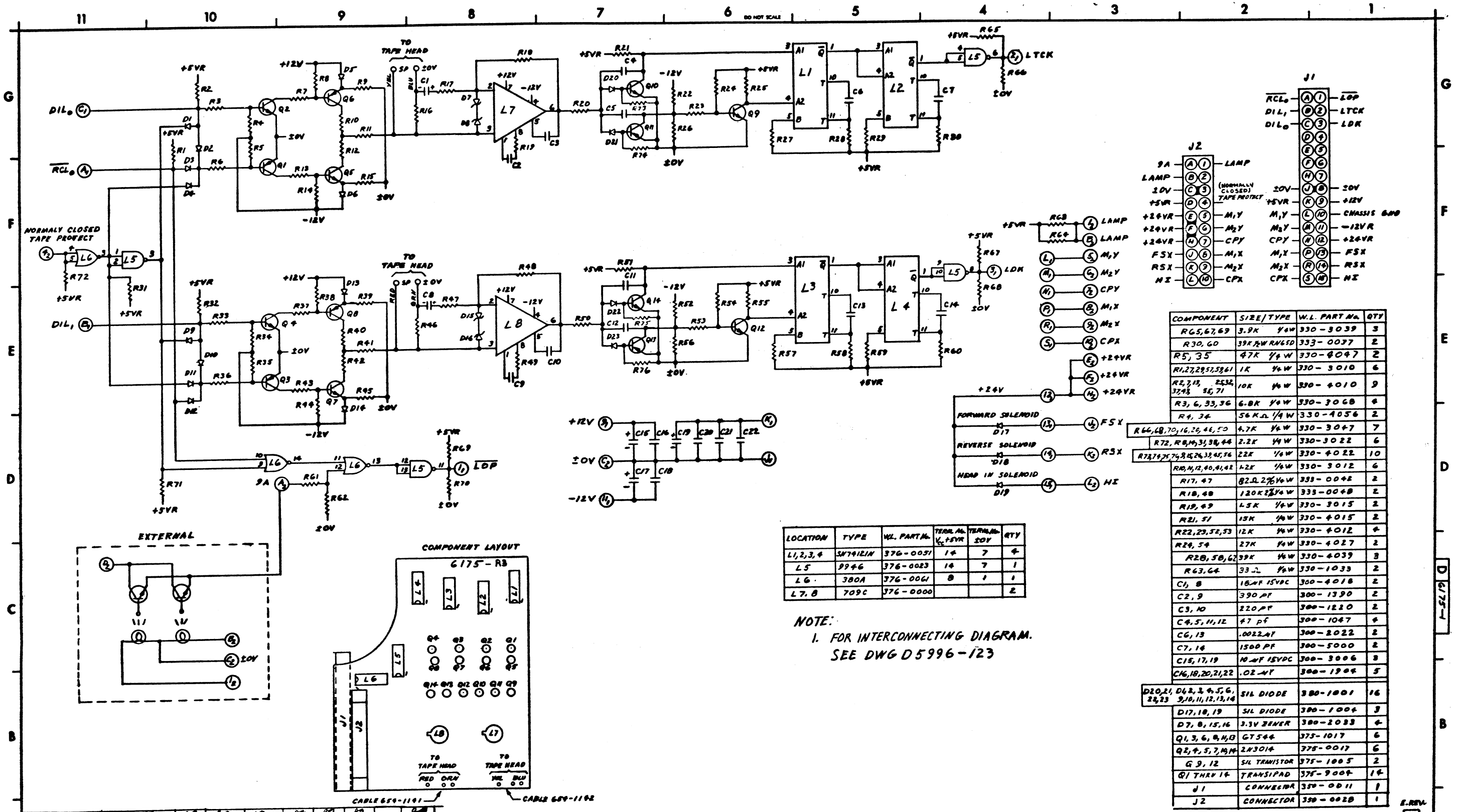
COMP.	SIZE/TYPE	WANG PART No.	QTY
R1	47K 1/4W	330-4047	1
R2	4.7K 1/4W	330-3047	1
Q1	GS563	375-2100	1
Q2	2N3014	375-0017	1
DS	*9 LAMP	370-0015	1
R3	10Ω 1/4W	330-1010	1

REV. 1 ~~AS~~ 2-12-73  
 PER RCH 3509 R3 WAS 47K APP.DSKM

DEC 07 1978



<b>WANG LABORATORIES, INC.</b> TEWKSBURY, MASS. U. S. A.			
MODEL NO. 602/702/ 2202	DRAWN <i>JB</i> CHECKED	9/20/71 APPD	12/3/71 APPD
TITLE SCHEMATIC, PHOTO-PICKUP AND *6134. AMPLIFIER FOR 702 PRINTER/PLOTTER			
W.O. NO.	SCALE 4x	DWG. NO. A 6134-1	REV 1



COMPONENT	SIZE/TYPE	W.L. PART NO.	QTY
R65,67,69	3.9K 1/4W	330-3039	3
R30,60	39K 1/4W RV6SD	333-0077	2
R5,35	47K 1/4W	330-8047	2
R1,27,29,51,59,61	1K 1/4W	330-3010	6
R2,7,13,25,32,37,43,56,71	10K 1/4W	330-4010	9
R3,6,33,36	6.8K 1/4W	330-3066	4
R4,34	56K 1/4W	330-4056	2
R66,68,70,16,36,46,50	4.7K 1/4W	330-3047	7
R72,88,91,94,44	2.2K 1/4W	330-3022	6
R73,74,75,94,24,33,45,76	22K 1/4W	330-4022	10
R8,12,40,41,42	12K 1/4W	330-3012	6
R17,47	82Ω 2 1/2W	333-0042	2
R18,48	120K 2 1/2W	333-0048	2
R19,49	4.5K 1/4W	330-3015	2
R21,51	15K 1/4W	330-4015	2
R22,23,52,53	12K 1/4W	330-4012	4
R24,54	27K 1/4W	330-4027	2
R28,58,62	39K 1/4W	330-4039	3
R63,64	33Ω 1/4W	330-1033	2
C1,8	15M 15VDC	300-4018	2
C2,9	390PF	300-1390	2
C3,10	220PF	300-1220	2
C4,5,11,12	47PF	300-1047	4
C6,13	.0022M	300-2022	2
C7,14	1500PF	300-5000	2
C15,17,19	10M 15VDC	300-3006	3
C16,18,20,21,22	.02M	300-1904	5
D20,21,24,2,3,4,5,6,24,23	SIL DIODE	300-1001	16
D17,18,19	SIL DIODE	300-1004	3
D7,8,15,16	3.3V ZENER	300-2033	4
Q1,3,6,8,M,B	GT544	375-1017	6
Q2,4,5,7,M,M	2N3014	375-0017	6
G9,12	SIL TRANSISTOR	375-1005	2
Q1 THRU 14	TRANSIPAD	375-9004	14
J1	CONNECTOR	330-0011	1
J2	CONNECTOR	330-0020	1

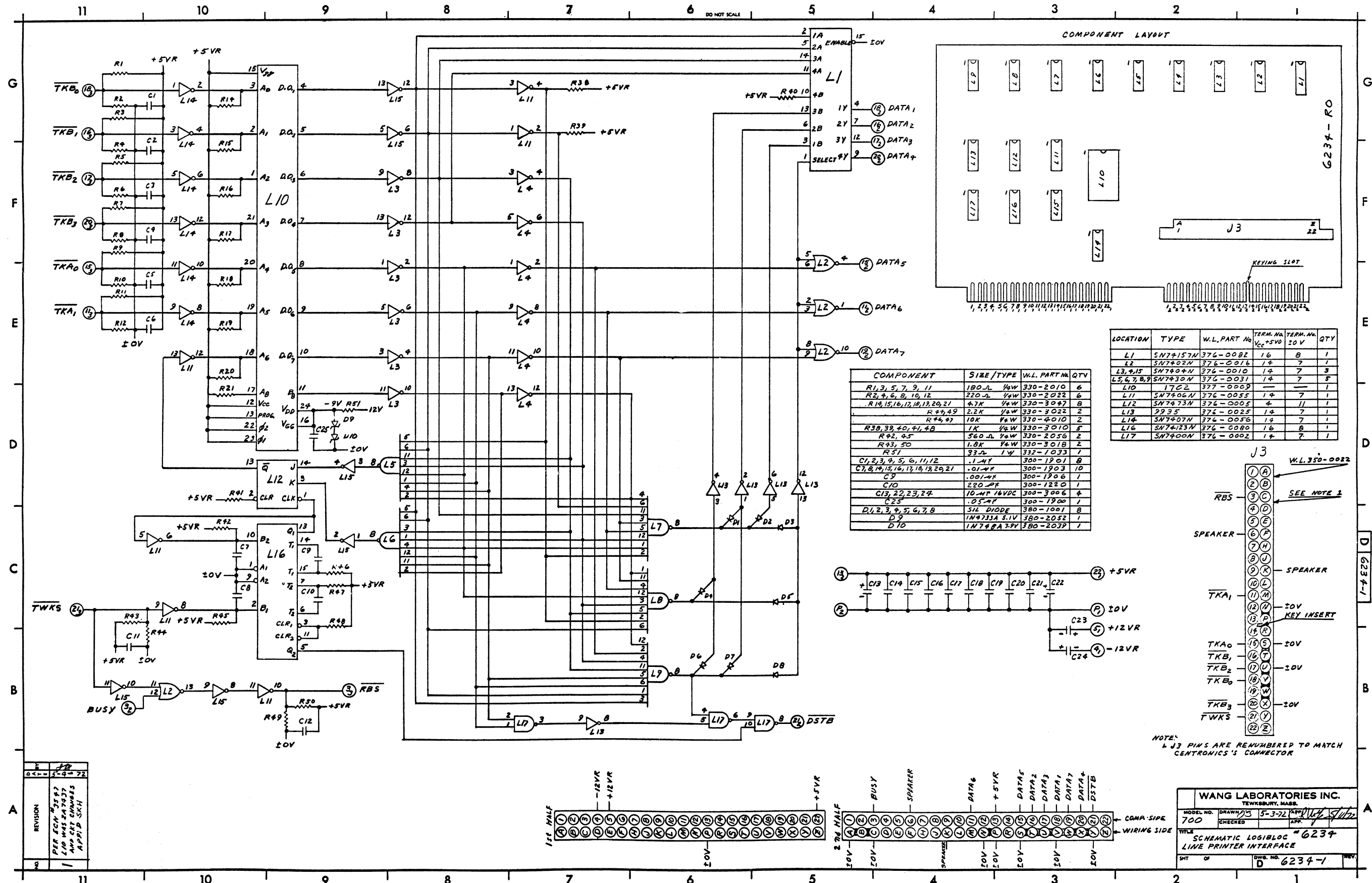
LOCATION	TYPE	W.L. PART NO.	TERMINAL 1 (+5V)	TERMINAL 2 (20V)	QTY
L1,2,3,4	5W7912IN	376-0051	14	7	4
L5	9946	376-0023	14	7	1
L6	300A	376-0061	8	1	1
L7,8	709C	376-0000			2

NOTE:  
1. FOR INTERCONNECTING DIAGRAM.  
SEE DWG D5996-123

WANG LABORATORIES INC.  
TELECOMMUNICATIONS DIVISION  
MODEL NO. TD 24  
DRAWN BY: [Signature] DATE: 12/7/78  
CHECKED BY: [Signature] DATE: 12-24-78  
SCHEMATIC 1061RLOC \* G175  
TAPE AMPLIFIER BOARD  
DWG NO. D 6175

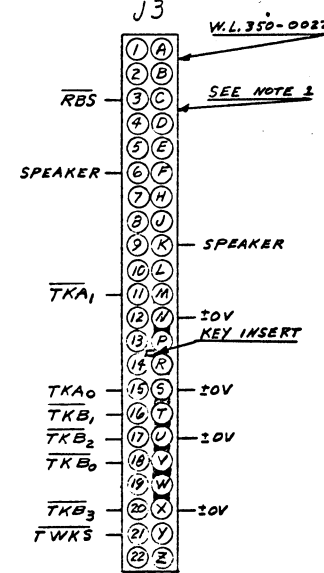
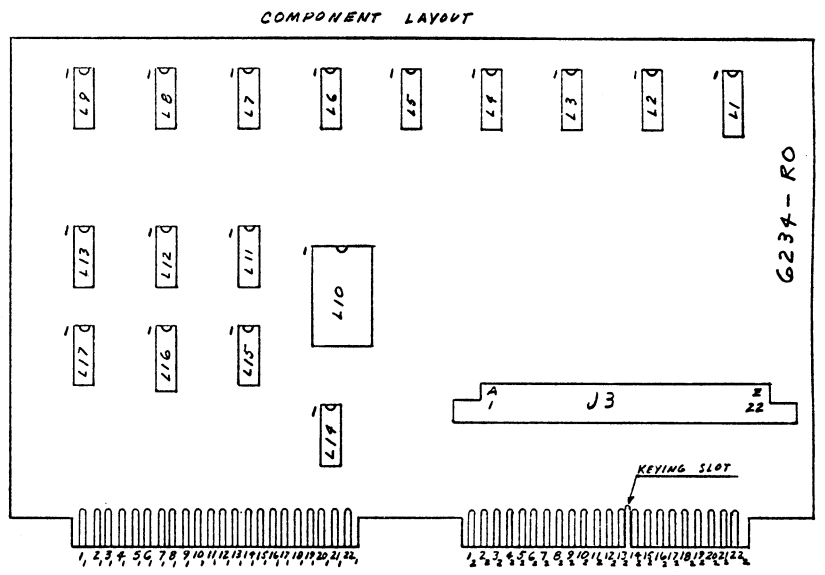
DEC 07 1978

REVISION	DATE	BY	DESCRIPTION
1	12-11-78	WLS	REVISED PER E.C.N. 3098
2	12-11-78	WLS	REVISED PER E.C.N. 3098
3	12-11-78	WLS	REVISED PER E.C.N. 3098
4	12-11-78	WLS	REVISED PER E.C.N. 3098
5	12-11-78	WLS	REVISED PER E.C.N. 3098
6	12-11-78	WLS	REVISED PER E.C.N. 3098
7	12-11-78	WLS	REVISED PER E.C.N. 3098
8	12-11-78	WLS	REVISED PER E.C.N. 3098
9	12-11-78	WLS	REVISED PER E.C.N. 3098
10	12-11-78	WLS	REVISED PER E.C.N. 3098
11	12-11-78	WLS	REVISED PER E.C.N. 3098
12	12-11-78	WLS	REVISED PER E.C.N. 3098



COMPONENT	SIZE / TYPE	W.L. PART NO.	QTY
R1, 3, 5, 7, 9, 11	180-Ω 1/4W	330-2010	6
R2, 4, 6, 8, 10, 12	220-Ω 1/4W	330-2022	6
R14, 15, 16, 17, 18, 19, 20, 21	4.7K 1/4W	330-3047	8
R4, 49	2.2K 1/4W	330-3022	2
R4, 47	10K 1/4W	330-4010	2
R38, 39, 40, 41, 48	1K 1/4W	330-3010	5
R42, 45	560-Ω 1/4W	330-2056	2
R43, 50	1.8K 1/4W	330-3018	2
R51	33-Ω 1W	332-1033	1
C1, 2, 3, 4, 5, 6, 11, 12	.1-μF	300-1901	8
C7, 8, 14, 15, 16, 17, 18, 19, 20, 21	.01-μF	300-1903	10
C9	.001-μF	300-1906	1
C10	220-μF	300-1220	1
C13, 22, 23, 24	10-μF 16VDC	300-3006	4
C25	.05-μF	300-1900	1
D1, 2, 3, 4, 5, 6, 7, 8	514 DIODE	380-1001	8
D9	1N4733A 5.1V	380-2032	1
D10	1N748A 3.9V	380-2039	1

LOCATION	TYPE	W.L. PART NO.	TERM. NO. VCC +5VD	TERM. NO. 10V	QTY
L1	SN74157N	376-0082	16	8	1
L2	SN7402N	376-0016	14	7	1
L3, 4, 15	SN7404N	376-0010	14	7	3
L5, 6, 7, 8, 9	SN7430N	376-0031	14	7	5
L10	17C2	377-0009	—	—	1
L11	SN7406N	376-0055	14	7	1
L12	SN7473N	376-0005	4	11	1
L13	7935	376-0025	14	7	1
L14	SN7407N	376-0056	14	7	1
L16	SN74123N	376-0080	16	8	1
L17	SN7400N	376-0002	14	7	1



NOTE: J3 PINS ARE RENUMBERED TO MATCH CENTRONICS'S CONNECTOR

WANG LABORATORIES INC.  
TEWKSBURY, MASS.

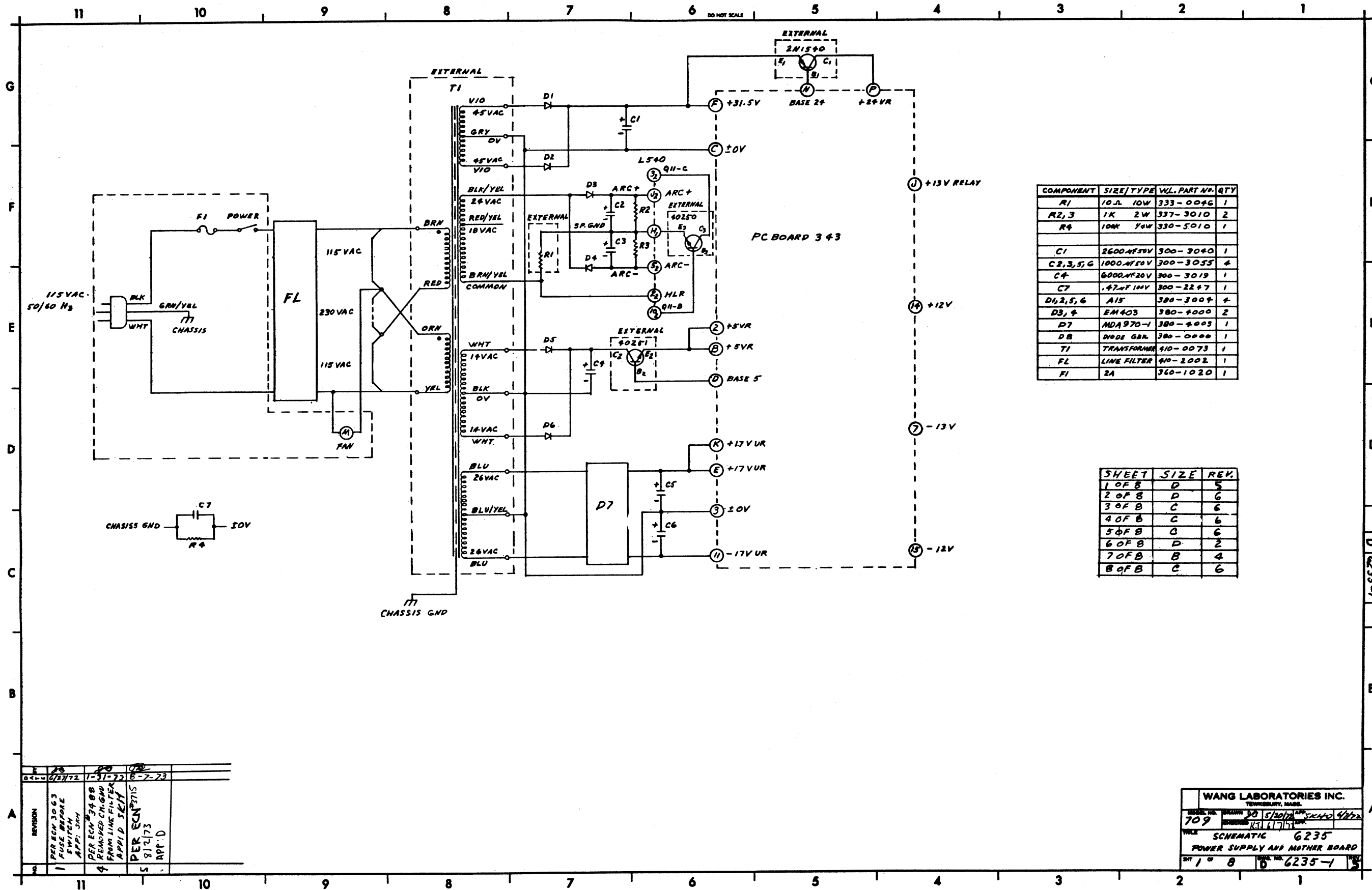
MODEL NO. 700 DRAWN BY 5-3-72 APP. [Signature]  
CHECKED [Signature]

TITLE SCHEMATIC LOGIBLOC # 6234-1  
LINE PRINTER INTERFACE

SHT. OF [ ] DWG. NO. 6234-1 REV. [ ]

REV.	DATE	BY	CHKD.
1	1-2-72		

PER [Signature] 1-2-72  
L10, 11, 12, 13, 14, 15, 16, 17, 18, 19, 20, 21, 22, 23, 24, 25  
AND ALL DIMENSIONS  
APPLY TO THIS

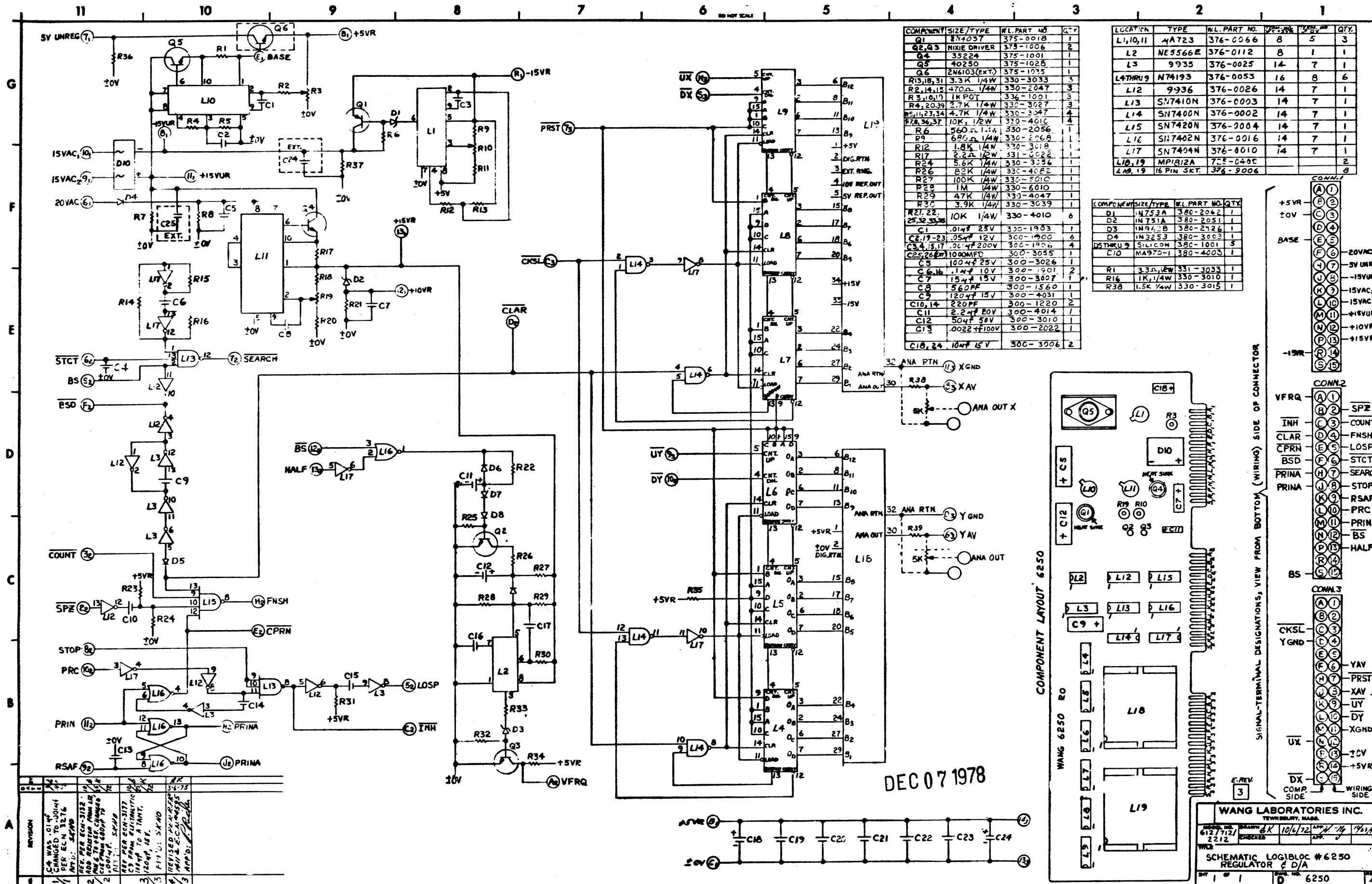


COMPONENT	SIZE/TYPE	WL. PART NO.	QTY
R1	10 Ω 10W	333-0046	1
R2,3	1K 2W	337-3010	2
R4	100K 1/4W	330-5010	1
C1	2600 μF 50V	300-3040	1
C2,3,5,6	1000 μF 50V	300-3055	4
C4	6000 μF 20V	300-3019	1
C7	.47 μF 100V	300-2247	1
D1,2,5,6	A15	380-3004	4
D3,4	EM403	380-4000	2
D7	MDA970-1	380-4003	1
D8	DIODE GRN	380-0000	1
T1	TRANSFORMER	910-0073	1
FL	LINE FILTER	490-2002	1
F1	2A	360-1020	1

SHEET	SIZE	REV.
1 OF 8	D	5
2 OF 8	D	6
3 OF 8	C	6
4 OF 8	C	6
5 OF 8	D	6
6 OF 8	D	2
7 OF 8	B	4
8 OF 8	C	6

REV.	DATE	DESCRIPTION
1	6/27/72	PER ECN 3063 FUSE BEFORE SWITCH APP: JCH
4	11-21-72	PER ECN 3488 REMOVED CH GND FROM LINE FILTER APPLD SKIT
5	8/2/73	PER ECN 2715 8/2/73 APP: D

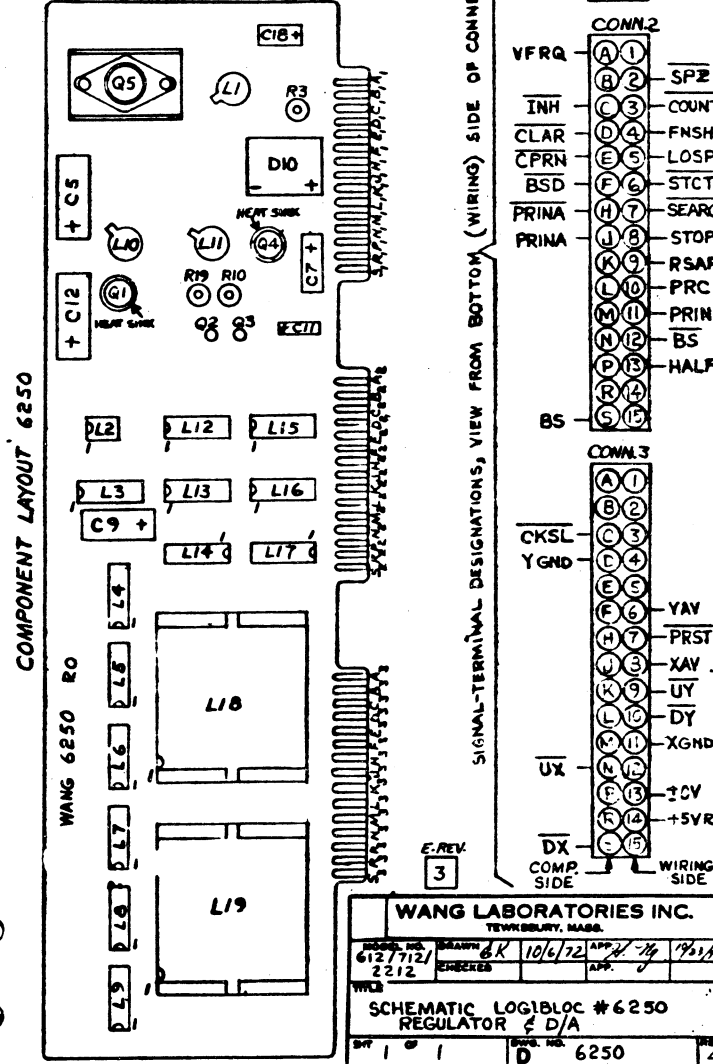
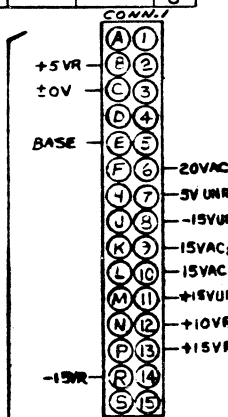
**WANG LABORATORIES INC.**  
 THUNDERBOLT, MASS.  
 MODEL NO. 709  
 DATE 5/20/74  
 WORK SCHEMATIC 6235  
 POWER SUPPLY AND MOTHER BOARD  
 SHEET 1 OF 8  
 DRAWING NO. 6235-1



COMPONENT	SIZE/TYPE	WL. PART NO.	QTY
Q1	2N4037	375-0018	1
Q2, Q3	NIXIE DRIVER	375-1006	2
Q4	35224	375-1001	1
Q5	40250	375-1028	1
Q6	2N6103(EXT.)	375-1075	1
R13, 18, 31	3.3K 1/4W	330-3033	3
R2, 14, 15	470Ω 1/4W	330-2047	3
R3, 10, 19	1K POT	330-1001	3
R4, 20, 39	2.7K 1/4W	330-3027	3
R5, 11, 23, 34	4.7K 1/4W	330-3047	4
R7, 36, 37	10K 1/2W	330-4010	4
R6	560Ω 1/4W	330-2056	1
R9	680Ω 1/4W	330-2068	1
R12	1.8K 1/4W	330-3018	1
R17	2.2Ω 1/2W	331-0022	1
R24	5.6K 1/4W	330-3056	1
R26	82K 1/4W	330-4082	1
R27	100K 1/4W	330-5010	1
R28	1M 1/4W	330-6010	1
R29	47K 1/4W	330-4047	1
R30	3.9K 1/4W	330-3039	1
R21, 22, 25, 32, 33, 38	10K 1/4W	330-4010	6
C1	.01μF 25V	330-1903	1
C2, 19-23	.05μF 12V	300-1900	6
C3, 4, 15, 17	.01μF 200V	300-1906	4
C25, 26	1000MFD	300-3055	1
C5	100μF 25V	300-3026	1
C6, 16	.1μF 10V	300-1901	2
C7	15μF 15V	300-3007	1
C8	560PF	300-1560	1
C9	120μF 15V	300-4031	1
C10, 14	220PF	300-1220	2
C11	2.2μF 20V	300-4014	1
C12	50μF 50V	300-3010	1
C13	.0022μF 100V	300-2022	1
C18, 24	10μF 15V	300-3006	2

LOCATION	TYPE	WL. PART NO.	QTY
L1, 10, 11	4A723	376-0066	3
L2	NE5566E	376-0112	1
L3	9935	376-0025	1
L4 THRU 9	N74193	376-0053	6
L12	9936	376-0026	1
L13	SN7410N	376-0023	1
L14	SN7400N	376-0002	1
L15	SN7420N	376-0004	1
L16	SN7402N	376-0016	1
L17	SN7404N	376-0010	1
L18, 19	MPIR12A	755-049C	2
L20, 19	16 PIN SKT.	376-9006	1

COMPONENT	SIZE/TYPE	WL. PART NO.	QTY
D1	1N753A	380-2062	1
D2	1N751A	380-2051	1
D3	1N945B	380-2126	1
D4	1N3253	380-3003	5
D5 THRU 9	SILICON	380-1001	5
L10	MA970-1	380-4003	1
R1	3.3Ω 1/4W	331-3033	1
R16	1K 1/4W	330-3010	1
R38	1.5K 1/4W	330-3015	1

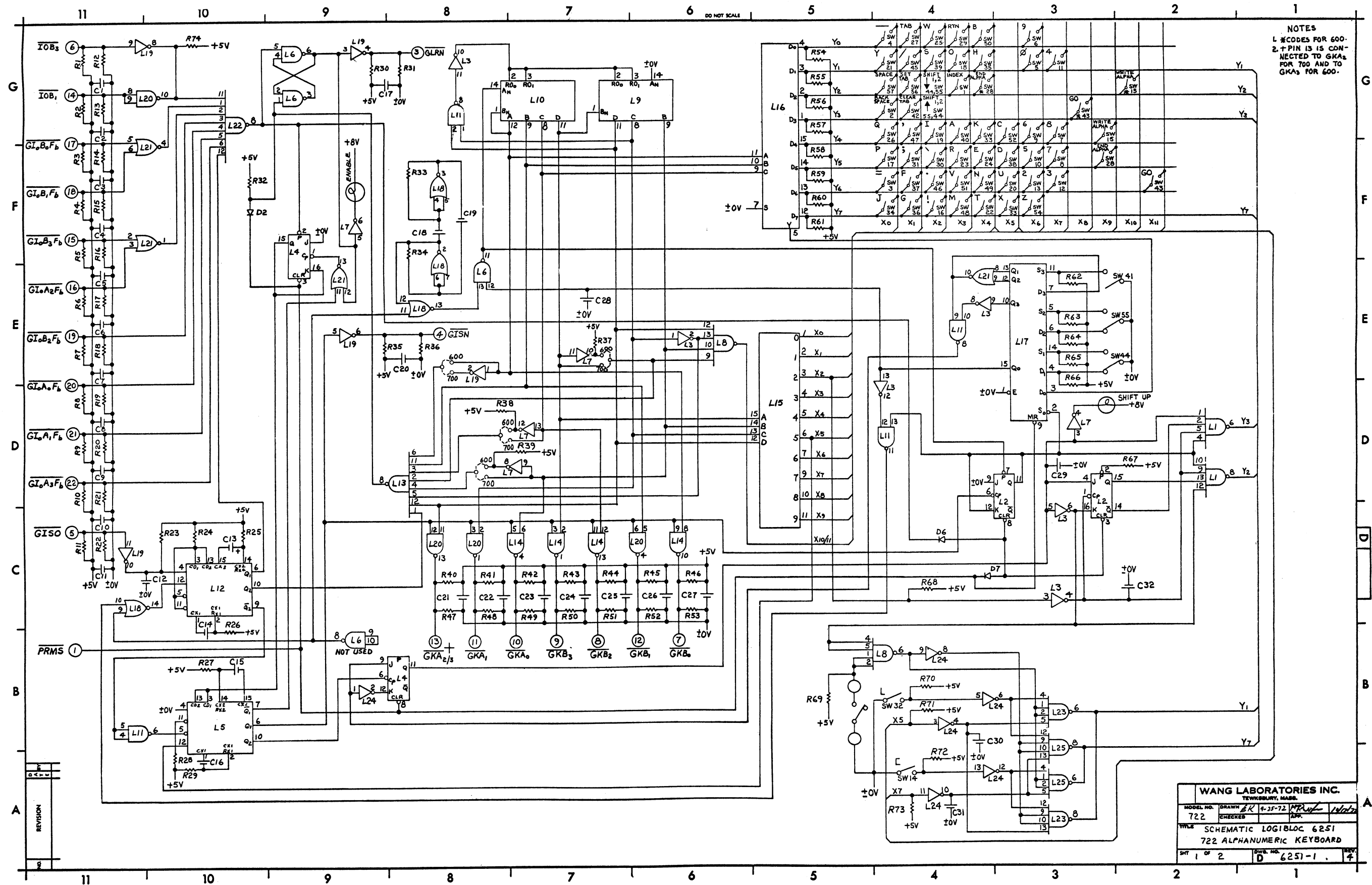


DEC 07 1978

REVISION	DESCRIPTION
1	C4 WAS .01μF CHANGED TO .0047μF PER ECN 3276
2	REV. PER ECN-312
3	ADD RESISTOR FROM LR 104 TO +5V CHANGES TO 10K
4	REV. PER ECN-317
5	REV. PER ECN-317
6	REV. PER ECN-317
7	REV. PER ECN-317
8	REV. PER ECN-317
9	REV. PER ECN-317
10	REV. PER ECN-317
11	REV. PER ECN-317

WANG LABORATORIES INC.  
 TOWNSHIRE, MASS.  
 6127712/2212  
 10/6/72  
 SCHEMATIC LOGIBLOC #6250  
 REGULATOR & D/A  
 DWT 1 1 1  
 D 6250

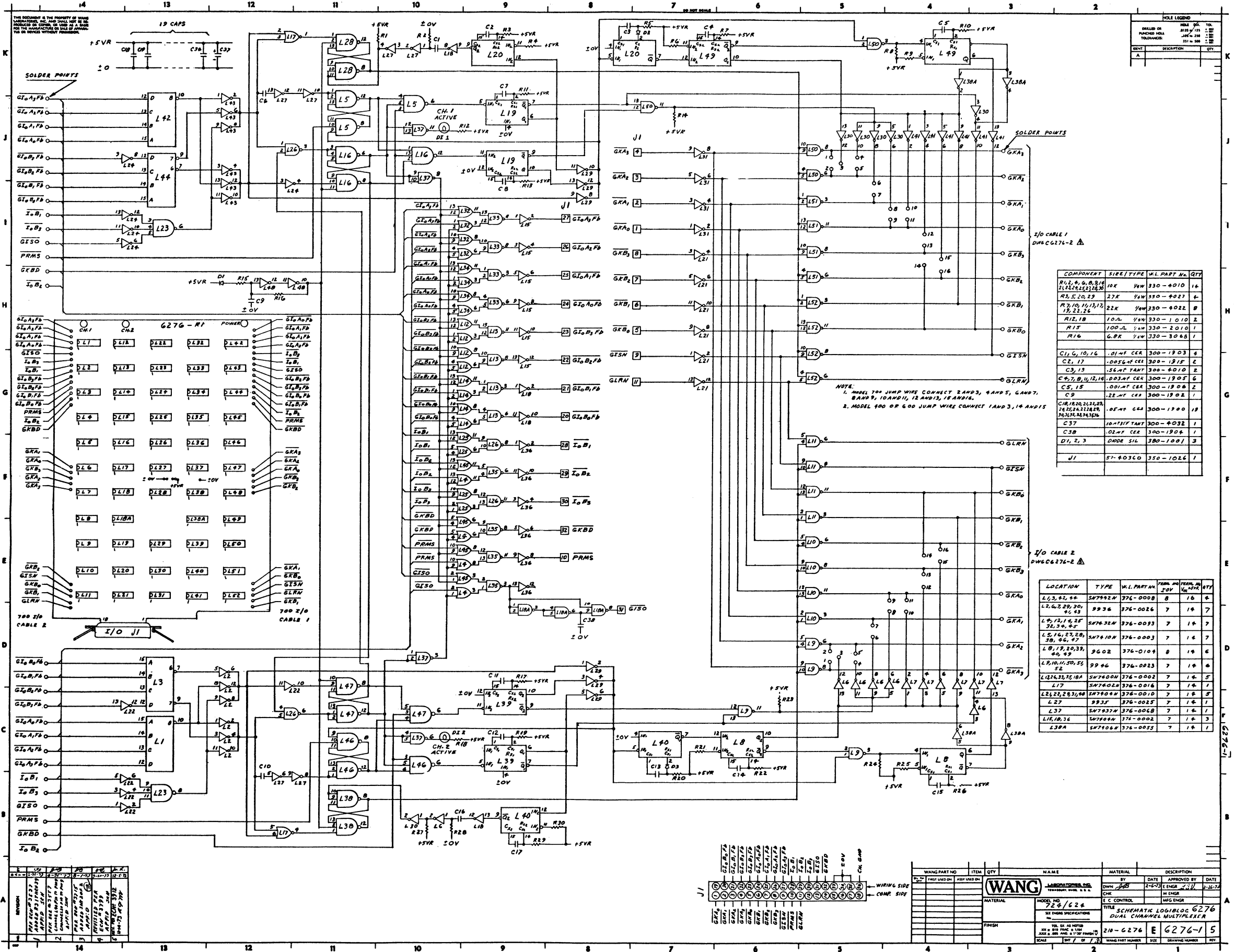




NOTES  
 L #CODES FOR 600-  
 2. + PIN 13 IS CON-  
 NECTED TO GKA<sub>2</sub>  
 FOR 700 AND TO  
 GKA<sub>3</sub> FOR 600.

<b>WANG LABORATORIES INC.</b>			
<small>TEWKSBURY, MASS.</small>			
MODEL NO.	DRAWN	DATE	REV.
722	ER	4-25-72	1/1
CHECKED	APP.		
TITLE SCHEMATIC LOGIBLOC 6251			
722 ALPHANUMERIC KEYBOARD			
SHT 1 OF 2	DATE	NO.	REV.
	D	6251-1	4

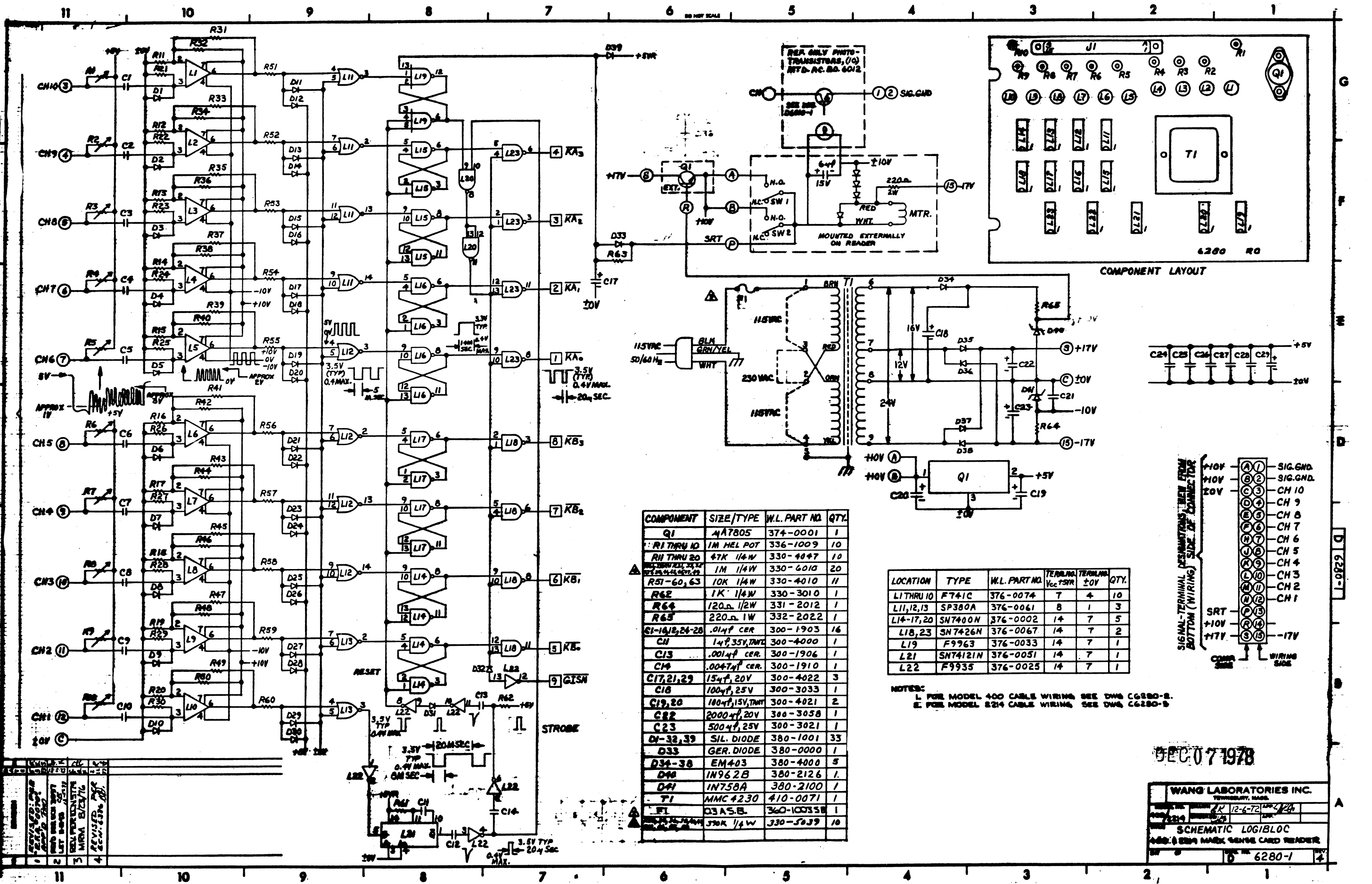
REVISION	
1	



THIS DOCUMENT IS THE PROPERTY OF WANG LABORATORIES, INC. AND SHALL NOT BE REPRODUCED OR TRANSMITTED IN ANY FORM OR BY ANY MEANS, ELECTRONIC OR MECHANICAL, INCLUDING PHOTOCOPYING, RECORDING, OR BY ANY INFORMATION STORAGE AND RETRIEVAL SYSTEM, WITHOUT THE WRITTEN PERMISSION OF WANG LABORATORIES, INC.

REV.	DESCRIPTION	QTY.
A		

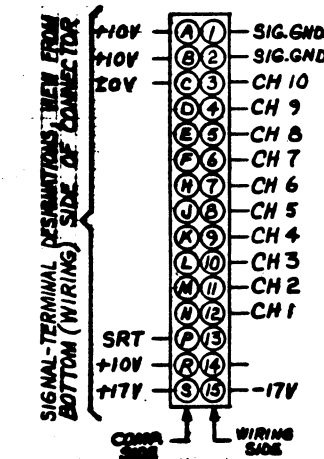
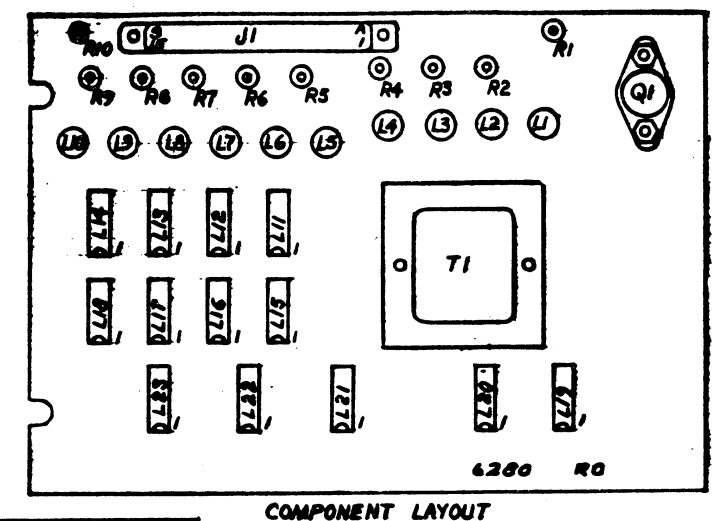
COMPONENT	SIZE/TYPE	WL. PART NO.	QTY.
R1, 2, 4, 6, 8, 9, 10, 11, 12, 13, 14, 15, 16, 17, 18, 19, 20, 21, 22, 23, 24, 25, 26, 27, 28, 29, 30, 31, 32, 33, 34, 35, 36, 37, 38, 39, 40, 41, 42, 43, 44, 45, 46, 47, 48, 49, 50, 51, 52, 53, 54, 55, 56, 57, 58, 59, 60, 61, 62, 63, 64, 65, 66, 67, 68, 69, 70, 71, 72, 73, 74, 75, 76, 77, 78, 79, 80, 81, 82, 83, 84, 85, 86, 87, 88, 89, 90, 91, 92, 93, 94, 95, 96, 97, 98, 99, 100, 101, 102, 103, 104, 105, 106, 107, 108, 109, 110, 111, 112, 113, 114, 115, 116, 117, 118, 119, 120, 121, 122, 123, 124, 125, 126, 127, 128, 129, 130, 131, 132, 133, 134, 135, 136, 137, 138, 139, 140, 141, 142, 143, 144, 145, 146, 147, 148, 149, 150, 151, 152, 153, 154, 155, 156, 157, 158, 159, 160, 161, 162, 163, 164, 165, 166, 167, 168, 169, 170, 171, 172, 173, 174, 175, 176, 177, 178, 179, 180, 181, 182, 183, 184, 185, 186, 187, 188, 189, 190, 191, 192, 193, 194, 195, 196, 197, 198, 199, 200, 201, 202, 203, 204, 205, 206, 207, 208, 209, 210, 211, 212, 213, 214, 215, 216, 217, 218, 219, 220, 221, 222, 223, 224, 225, 226, 227, 228, 229, 230, 231, 232, 233, 234, 235, 236, 237, 238, 239, 240, 241, 242, 243, 244, 245, 246, 247, 248, 249, 250, 251, 252, 253, 254, 255, 256, 257, 258, 259, 260, 261, 262, 263, 264, 265, 266, 267, 268, 269, 270, 271, 272, 273, 274, 275, 276, 277, 278, 279, 280, 281, 282, 283, 284, 285, 286, 287, 288, 289, 290, 291, 292, 293, 294, 295, 296, 297, 298, 299, 300, 301, 302, 303, 304, 305, 306, 307, 308, 309, 310, 311, 312, 313, 314, 315, 316, 317, 318, 319, 320, 321, 322, 323, 324, 325, 326, 327, 328, 329, 330, 331, 332, 333, 334, 335, 336, 337, 338, 339, 340, 341, 342, 343, 344, 345, 346, 347, 348, 349, 350, 351, 352, 353, 354, 355, 356, 357, 358, 359, 360, 361, 362, 363, 364, 365, 366, 367, 368, 369, 370, 371, 372, 373, 374, 375, 376, 377, 378, 379, 380, 381, 382, 383, 384, 385, 386, 387, 388, 389, 390, 391, 392, 393, 394, 395, 396, 397, 398, 399, 400, 401, 402, 403, 404, 405, 406, 407, 408, 409, 410, 411, 412, 413, 414, 415, 416, 417, 418, 419, 420, 421, 422, 423, 424, 425, 426, 427, 428, 429, 430, 431, 432, 433, 434, 435, 436, 437, 438, 439, 440, 441, 442, 443, 444, 445, 446, 447, 448, 449, 450, 451, 452, 453, 454, 455, 456, 457, 458, 459, 460, 461, 462, 463, 464, 465, 466, 467, 468, 469, 470, 471, 472, 473, 474, 475, 476, 477, 478, 479, 480, 481, 482, 483, 484, 485, 486, 487, 488, 489, 490, 491, 492, 493, 494, 495, 496, 497, 498, 499, 500, 501, 502, 503, 504, 505, 506, 507, 508, 509, 510, 511, 512, 513, 514, 515, 516, 517, 518, 519, 520, 521, 522, 523, 524, 525, 526, 527, 528, 529, 530, 531, 532, 533, 534, 535, 536, 537, 538, 539, 540, 541, 542, 543, 544, 545, 546, 547, 548, 549, 550, 551, 552, 553, 554, 555, 556, 557, 558, 559, 560, 561, 562, 563, 564, 565, 566, 567, 568, 569, 570, 571, 572, 573, 574, 575, 576, 577, 578, 579, 580, 581, 582, 583, 584, 585, 586, 587, 588, 589, 590, 591, 592, 593, 594, 595, 596, 597, 598, 599, 600, 601, 602, 603, 604, 605, 606, 607, 608, 609, 610, 611, 612, 613, 614, 615, 616, 617, 618, 619, 620, 621, 622, 623, 624, 625, 626, 627, 628, 629, 630, 631, 632, 633, 634, 635, 636, 637, 638, 639, 640, 641, 642, 643, 644, 645, 646, 647, 648, 649, 650, 651, 652, 653, 654, 655, 656, 657, 658, 659, 660, 661, 662, 663, 664, 665, 666, 667, 668, 669, 670, 671, 672, 673, 674, 675, 676, 677, 678, 679, 680, 681, 682, 683, 684, 685, 686, 687, 688, 689, 690, 691, 692, 693, 694, 695, 696, 697, 698, 699, 700, 701, 702, 703, 704, 705, 706, 707, 708, 709, 710, 711, 712, 713, 714, 715, 716, 717, 718, 719, 720, 721, 722, 723, 724, 725, 726, 727, 728, 729, 730, 731, 732, 733, 734, 735, 736, 737, 738, 739, 740, 741, 742, 743, 744, 745, 746, 747, 748, 749, 750, 751, 752, 753, 754, 755, 756, 757, 758, 759, 760, 761, 762, 763, 764, 765, 766, 767, 768, 769, 770, 771, 772, 773, 774, 775, 776, 777, 778, 779, 780, 781, 782, 783, 784, 785, 786, 787, 788, 789, 790, 791, 792, 793, 794, 795, 796, 797, 798, 799, 800, 801, 802, 803, 804, 805, 806, 807, 808, 809, 810, 811, 812, 813, 814, 815, 816, 817, 818, 819, 820, 821, 822, 823, 824, 825, 826, 827, 828, 829, 830, 831, 832, 833, 834, 835, 836, 837, 838, 839, 840, 841, 842, 843, 844, 845, 846, 847, 848, 849, 850, 851, 852, 853, 854, 855, 856, 857, 858, 859, 860, 861, 862, 863, 864, 865, 866, 867, 868, 869, 870, 871, 872, 873, 874, 875, 876, 877, 878, 879, 880, 881, 882, 883, 884, 885, 886, 887, 888, 889, 890, 891, 892, 893, 894, 895, 896, 897, 898, 899, 900, 901, 902, 903, 904, 905, 906, 907, 908, 909, 910, 911, 912, 913, 914, 915, 916, 917, 918, 919, 920, 921, 922, 923, 924, 925, 926, 927, 928, 929, 930, 931, 932, 933, 934, 935, 936, 937, 938, 939, 940, 941, 942, 943, 944, 945, 946, 947, 948, 949, 950, 951, 952, 953, 954, 955, 956, 957, 958, 959, 960, 961, 962, 963, 964, 965, 966, 967, 968, 969, 970, 971, 972, 973, 974, 975, 976, 977, 978, 979, 980, 981, 982, 983, 984, 985, 986, 987, 988, 989, 990, 991, 992, 993, 994, 995, 996, 997, 998, 999, 1000, 1001, 1002, 1003, 1004, 1005, 1006, 1007, 1008, 1009, 1010, 1011, 1012, 1013, 1014, 1015, 1016, 1017, 1018, 1019, 1020, 1021, 1022, 1023, 1024, 1025, 1026, 1027, 1028, 1029, 1030, 1031, 1032, 1033, 1034, 1035, 1036, 1037, 1038, 1039, 1040, 1041, 1042, 1043, 1044, 1045, 1046, 1047, 1048, 1049, 1050, 1051, 1052, 1053, 1054, 1055, 1056, 1057, 1058, 1059, 1060, 1061, 1062, 1063, 1064, 1065, 1066, 1067, 1068, 1069, 1070, 1071, 1072, 1073, 1074, 1075, 1076, 1077, 1078, 1079, 1080, 1081, 1082, 1083, 1084, 1085, 1086, 1087, 1088, 1089, 1090, 1091, 1092, 1093, 1094, 1095, 1096, 1097, 1098, 1099, 1100, 1101, 1102, 1103, 1104, 1105, 1106, 1107, 1108, 1109, 1110, 1111, 1112, 1113, 1114, 1115, 1116, 1117, 1118, 1119, 1120, 1121, 1122, 1123, 1124, 1125, 1126, 1127, 1128, 1129, 1130, 1131, 1132, 1133, 1134, 1135, 1136, 1137, 1138, 1139, 1140, 1141, 1142, 1143, 1144, 1145, 1146, 1147, 1148, 1149, 1150, 1151, 1152, 1153, 1154, 1155, 1156, 1157, 1158, 1159, 1160, 1161, 1162, 1163, 1164, 1165, 1166, 1167, 1168, 1169, 1170, 1171, 1172, 1173, 1174, 1175, 1176, 1177, 1178, 1179, 1180, 1181, 1182, 1183, 1184, 1185, 1186, 1187, 1188, 1189, 1190, 1191, 1192, 1193, 1194, 1195, 1196, 1197, 1198, 1199, 1200, 1201, 1202, 1203, 1204, 1205, 1206, 1207, 1208, 1209, 1210, 1211, 1212, 1213, 1214, 1215, 1216, 1217, 1218, 1219, 1220, 1221, 1222, 1223, 1224, 1225, 1226, 1227, 1228, 1229, 1230, 1231, 1232, 1233, 1234, 1235, 1236, 1237, 1238, 1239, 1240, 1241, 1242, 1243, 1244, 1245, 1246, 1247, 1248, 1249, 1250, 1251, 1252, 1253, 1254, 1255, 1256, 1257, 1258, 1259, 1260, 1261, 1262, 1263, 1264, 1265, 1266, 1267, 1268, 1269, 1270, 1271, 1272, 1273, 1274, 1275, 1276, 1277, 1278, 1279, 1280, 1281, 1282, 1283, 1284, 1285, 1286, 1287, 1288, 1289, 1290, 1291, 1292, 1293, 1294, 1295, 1296, 1297, 1298, 1299, 1300, 1301, 1302, 1303, 1304, 1305, 1306, 1307, 1308, 1309, 1310, 1311, 1312, 1313, 1314, 1315, 1316, 1317, 1318, 1319, 1320, 1321, 1322, 1323, 1324, 1325, 1326, 1327, 1328, 1329, 1330, 1331, 1332, 1333, 1334, 1335, 1336, 1337, 1338, 1339, 1340, 1341, 1342, 1343, 1344, 1345, 1346, 1347, 1348, 1349, 1350, 1351, 1352, 1353, 1354, 1355, 1356, 1357, 1358, 1359, 1360, 1361, 1362, 1363, 1364, 1365, 1366, 1367, 1368, 1369, 1370, 1371, 1372, 1373, 1374, 1375, 1376, 1377, 1378, 1379, 1380, 1381, 1382, 1383, 1384, 1385, 1386, 1387, 1388, 1389, 1390, 1391, 1392, 1393, 1394, 1395, 1396, 1397, 1398, 1399, 1400, 1401, 1402, 1403, 1404, 1405, 1406, 1407, 1408, 1409, 1410, 1411, 1412, 1413, 1414, 1415, 1416, 1417, 1418, 1419, 1420, 1421, 1422, 1423, 1424, 1425, 1426, 1427, 1428, 1429, 1430, 1431, 1432, 1433, 1434, 1435, 1436, 1437, 1438, 1439, 1440, 1441, 1442, 1443, 1444, 1445, 1446, 1447, 1448, 1449, 1450, 1451, 1452, 1453, 1454, 1455, 1456, 1457, 1458, 1459, 1460, 1461, 1462, 1463, 1464, 1465, 1466, 1467, 1468, 1469, 1470, 1471, 1472, 1473, 1474, 1475, 1476, 1477, 1478, 1479, 1480, 1481, 1482, 1483, 1484, 1485, 1486, 1487, 1488, 1489, 1490, 1491, 1492, 1493, 1494, 1495, 1496, 1497, 1498, 1499, 1500, 1501, 1502, 1503, 1504, 1505, 1506, 1507, 1508, 1509, 1510, 1511, 1512, 1513, 1514, 1515, 1516, 1517, 1518, 1519, 1520, 1521, 1522, 1523, 1524, 1525, 1526, 1527, 1528, 1529, 1530, 1531, 1532, 1533, 1534, 1535, 1536, 1537, 1538, 1539, 1540, 1541, 1542, 1543, 1544, 1545, 1546, 1547, 1548, 1549, 1550, 1551, 1552, 1553, 1554, 1555, 1556, 1557, 1558, 1559, 1560, 1561, 1562, 1563, 1564, 1565, 1566, 1567, 1568, 1569, 1570, 1571, 1572, 1573, 1574, 1575, 1576, 1577, 1578, 1579, 1580, 1581, 1582, 1583, 1584, 1585, 1586, 1587, 1588, 1589, 1590, 1591, 1592, 1593, 1594, 1595, 1596, 1597, 1598, 1599, 1600, 1601, 1602, 1603, 1604, 1605, 1606, 1607, 1608, 1609, 1610, 1611, 1612, 1613, 1614, 1615, 1616, 1617, 1618, 1619, 1620, 1621, 1622, 1623, 1624, 1625, 1626, 1627, 1628, 1629, 1630, 1631, 1632, 1633, 1634, 1635, 1636, 1637, 1638, 1639, 1640, 1641, 1642, 1643, 1644, 1645, 1646, 1647, 1648, 1649, 1650, 1651, 1652, 1653, 1654, 1655, 1656, 1657, 1658, 1659, 1660, 1661, 1662, 1663, 1664, 1665, 1666, 1667, 1668, 1669, 1670, 1671, 1672, 1673, 1674, 1675, 1676, 1677, 1678, 1679, 1680, 1681, 1682, 1683, 1684, 1685, 1686, 1687, 1688, 1689, 1690, 1691, 1692, 1693, 1694, 1695, 1696, 1697, 1698, 1699, 1700, 1701, 1702, 1703, 1704, 1705, 1706, 1707, 1708, 1709, 1710, 1711, 1712, 1713, 1714, 1715, 1716, 1717, 1718, 1719, 1720, 1721, 1722, 1723, 1724, 1725, 1726, 1727, 1728, 1729, 1730, 1731, 1732, 1733, 1734, 1735, 1736, 1737, 1738, 1739, 1740, 1741, 1742, 1743, 1744, 1745, 1746, 1747, 1748, 1749, 1750, 1751, 1752, 1753, 1754, 1755, 1756, 1757, 1758, 1759, 1760, 1761, 1762, 1763, 1764, 1765, 1766, 1767, 1768, 1769, 1770, 1771, 1772, 1773, 1774, 1775, 1776, 1777, 1778, 1779, 1780, 1781, 1782, 1783, 1784, 1785, 1786, 1787, 1788, 1789, 1790, 1791, 1792, 1793, 1794, 1795, 1796, 1797, 1798, 1799, 1800, 1801, 1802, 1803, 1804, 1805, 1806, 1807, 1808, 1809, 1810, 1811, 1812, 1813, 1814, 1815, 1816, 1817, 1818, 1819, 1820, 1821, 1822, 1823, 1824, 1825, 1826, 1827, 1828, 1829, 1830, 1831, 1832, 1833, 1834, 1835, 1836, 1837, 1838, 1839, 1840, 1841, 1842, 1843, 1844, 1845, 1846, 1847, 1848, 1849, 1850, 1851, 1852, 1853, 1854, 1855, 1856, 1857, 1858, 1859, 1860, 1861, 1862, 1863, 1864, 1865, 1866, 1867, 1868, 1869, 1870, 1871, 1872, 1873, 1874, 1875, 1876, 1877, 1878, 1879, 1880, 1881, 1882, 1883, 1884, 1885, 1886, 1887, 1888, 1889, 1890, 1891, 1892, 1893, 1894, 1895, 1896, 1897, 1898, 1899, 1900, 1901, 1902, 1903, 1904, 1905, 1906, 1907, 1908, 1909, 1910, 1911, 1912, 1913, 1914, 1915, 1916, 1917, 1918, 1919, 1920, 1921, 1922, 1923, 1924, 1925, 1926, 1927, 1928, 1929, 1930, 1931, 1932, 1933, 1934, 1935, 1936, 1937, 1938, 1939, 1940, 1941, 1942, 1943, 1944, 1945, 1946, 1947, 1948, 1949, 1950, 1951, 1952, 1953, 1954, 1955, 1956, 1957, 1958, 1959, 1960, 1961, 1962, 1963, 1964, 1965, 1966, 1967, 1968, 1969, 1970, 1971, 1972, 1973, 1974, 1975, 1976, 1977, 1978, 1979, 1980, 1981, 1982, 1983, 1984, 1985, 1986, 1987, 1988, 1989, 1990, 1991, 1992, 1993, 1994, 1995, 1996, 19			



COMPONENT	SIZE/TYPE	W.L. PART NO.	QTY.
Q1	4A7805	374-0001	1
R1 THRU 10	1M HEL POT	336-1009	10
R11 THRU 20	47K 1/4W	330-4047	10
R21 THRU 30	1M 1/4W	330-6010	20
R31-60, 63	10K 1/4W	330-4010	11
R62	1K 1/4W	330-3010	1
R64	120Ω 1/2W	331-2012	1
R65	220Ω 1W	332-2022	1
S1-16, 26-28	.01μF CER	300-1903	16
C13	.001μF CER	300-1906	1
C14	.0047μF CER	300-1910	1
C17, 21, 29	15μF, 20V	300-4022	3
C18	100μF, 25V	300-3033	1
C19, 20	180μF, 15V, TWT	300-4021	2
C22	2000μF, 20V	300-3058	1
C23	500μF, 25V	300-3021	1
D1-32, 39	SIL. DIODE	380-1001	33
D33	GER. DIODE	380-0000	1
D34-38	EM403	380-4000	5
D40	1N962B	380-2126	1
D41	1N758A	380-2100	1
T1	MNC 4230	410-0071	1
F1	Q3ASB	360-10035B	1
L1	370K 1/4W	330-5039	10

LOCATION	TYPE	W.L. PART NO.	TERMS. Vec. ±5V	TERMS. ±0V	QTY.
L1 THRU 10	F741C	376-0074	7	4	10
L11, 12, 13	SP380A	376-0061	8	1	3
L14-17, 20	SN7400N	376-0002	14	7	5
L18, 23	SN7426N	376-0067	14	7	2
L19	F9963	376-0033	14	7	1
L21	SN74121N	376-0051	14	7	1
L22	F9935	376-0025	14	7	1

NOTES:  
 L. FOR MODEL 400 CABLE WIRING, SEE DWG. C6280-B.  
 E. FOR MODEL 224 CABLE WIRING, SEE DWG. C6280-D.

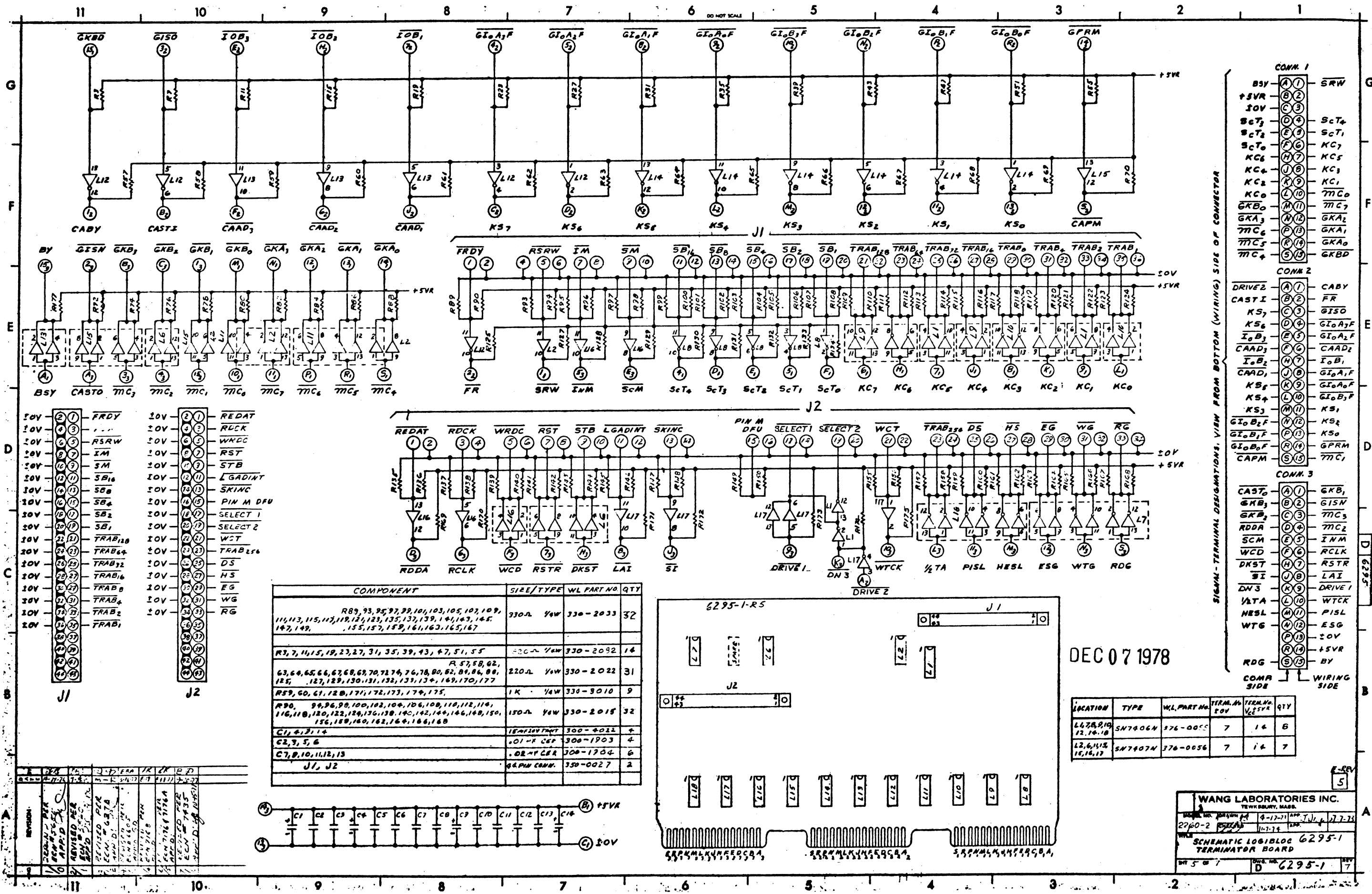


DEC 07 1978

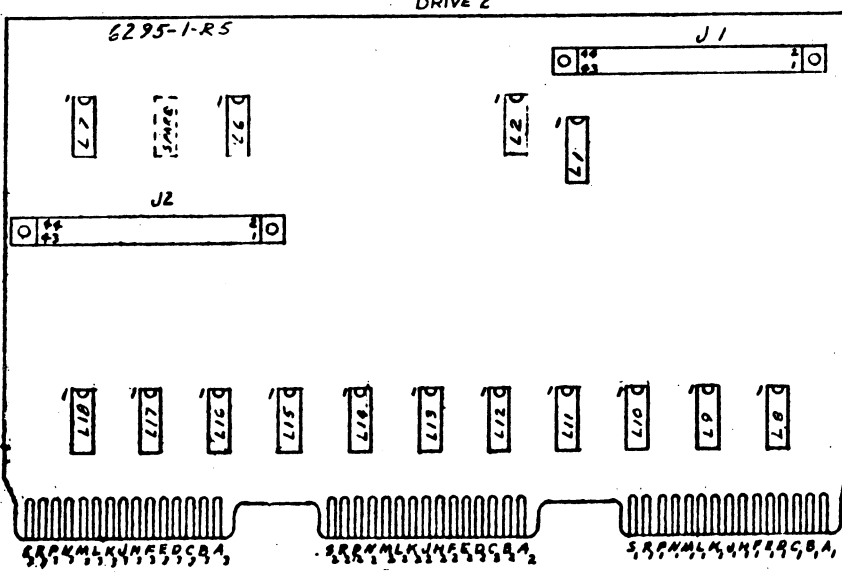
WANG LABORATORIES INC.  
 TOWNSHIRE, MASS.  
 REV. 12-6-72  
 SCHEMATIC LOGIBLOC  
 400-8 224 MARK SENSE CARD READER  
 6280-1

REV.	DATE	BY	CHK.	APP.
1				
2				
3				
4				



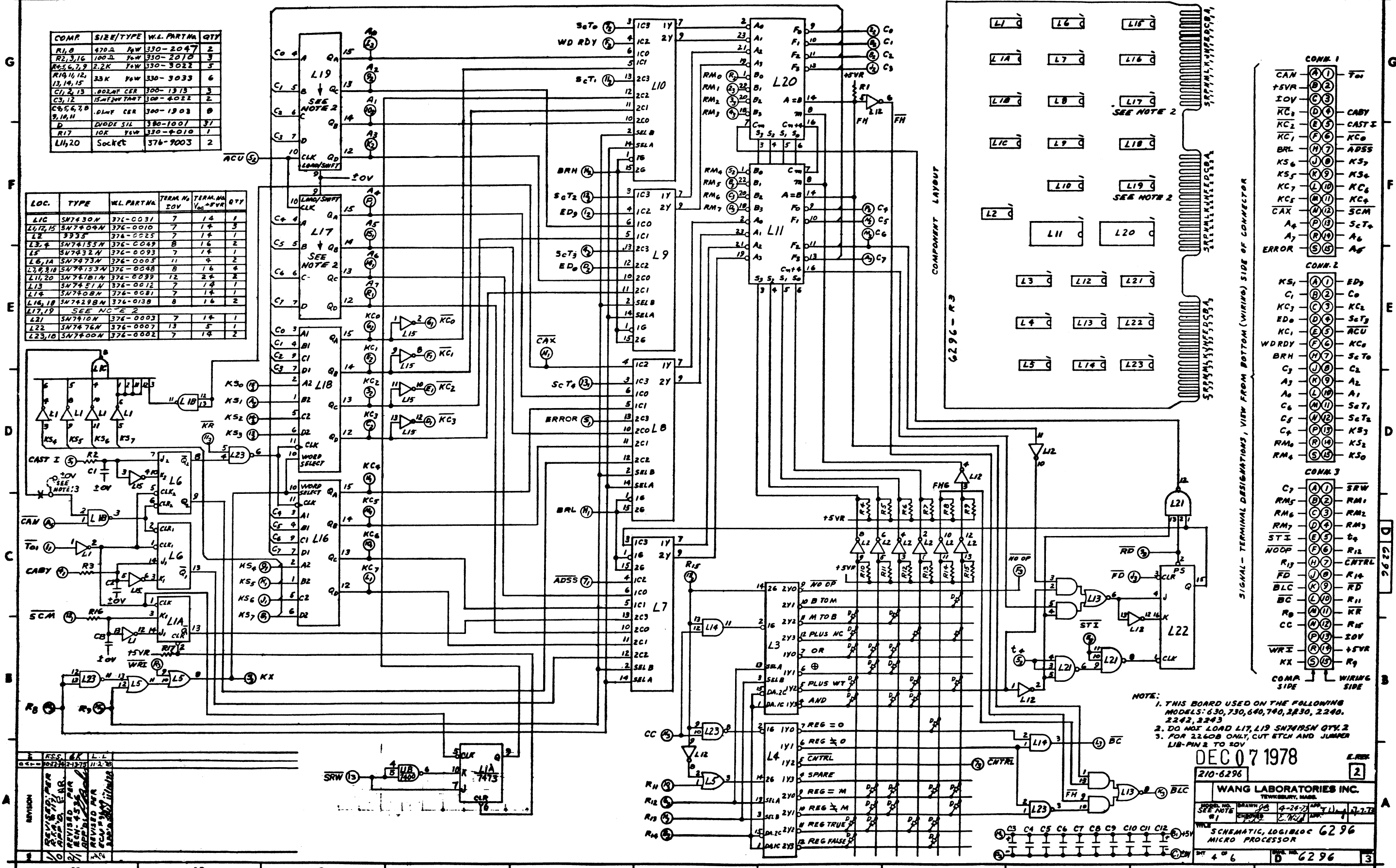


COMPONENT	SIZE/TYPER	WL PART NO.	QTY
R89, 93, 95, 97, 99, 101, 103, 105, 107, 109, 111, 113, 115, 117, 119, 121, 123, 125, 127, 129, 131, 133, 135, 137, 139, 141, 143, 145, 147, 149, 151, 153, 155, 157, 159, 161, 163, 165, 167	330Ω 1/4W	330-2033	32
R3, 7, 11, 15, 19, 23, 27, 31, 35, 39, 43, 47, 51, 55	200Ω 1/4W	330-2092	14
R57, 58, 62, 63, 64, 65, 66, 67, 68, 69, 70, 72, 74, 76, 78, 80, 82, 84, 86, 88, 90, 92, 94, 96, 98, 100, 102, 104, 106, 108, 110, 112, 114, 116, 118, 120, 122, 124, 126, 128, 130, 132, 134, 136, 138, 140, 142, 144, 146, 148, 150, 152, 154, 156, 158, 160, 162, 164, 166, 168	220Ω 1/4W	330-2022	31
R59, 60, 61, 120, 171, 172, 173, 174, 175	1K 1/4W	330-3010	9
R90, 94, 96, 98, 100, 102, 104, 106, 108, 110, 112, 114, 116, 118, 120, 122, 124, 126, 128, 130, 132, 134, 136, 138, 140, 142, 144, 146, 148, 150, 152, 154, 156, 158, 160, 162, 164, 166, 168	150Ω 1/4W	330-2018	32
C1, 2, 3, 14	150PF 50V	300-4022	4
C2, 3, 5, 6	.01MF 50V	300-1903	4
C7, 8, 10, 11, 12, 13	.02MF 50V	300-1904	6
J1, J2	64 PIN CONN.	330-0027	2



COMP.	SIZE/TYPE	W.L. PART No.	QTY
R1,8	470Ω 1/4W	330-2047	2
R2,3,16	100Ω 1/4W	330-2010	3
R4,5,6,7,9	2.2K 1/4W	330-3022	5
R14,12,13,14,15	33K 1/4W	330-3033	6
C1,2,13	802PT CER	300-1913	3
C3,12	15MFD 50V TANT	300-4022	2
C6,5,4,7,8,9,10,11	0.1MFD CER	300-1903	8
D	DIODE SIL	330-1001	31
R17	10K 1/4W	330-4010	1
L14,20	Socket	376-9003	2

LOC.	TYPE	W.L. PART No.	TERM. No.	TERM. No.	QTY
L1C	SN7430N	376-0031	7	14	1
L1D,15	SN7404N	376-0010	7	14	3
L2	3935	376-0225	7	14	1
L3,4	SN74153N	376-0049	8	16	2
L5	SN7432N	376-0093	7	14	1
L6,1A	SN7473N	376-0005	11	4	2
L7,8,9,10	SN74153N	376-0048	8	16	4
L11,20	SN7401N	376-0039	12	24	2
L13	SN7451N	376-0012	7	14	1
L14	SN7408N	376-0081	7	14	1
L16,18	SN74298N	376-0130	8	16	2
L17,19	SEE NOTE 2				
L21	SN7410N	376-0003	7	14	1
L22	SN7476N	376-0007	13	5	1
L23,18	SN7400N	376-0002	7	14	2



NOTE:  
 1. THIS BOARD USED ON THE FOLLOWING MODELS: 630, 730, 640, 740, 2430, 2240, 2242, 2243  
 2. DO NOT LOAD L17, L19 SN74153N QTY. 2  
 3. FOR 2260B ONLY, CUT ETCH AND JUMPER LIB-PIN 2 TO 50V

DEC 07 1978

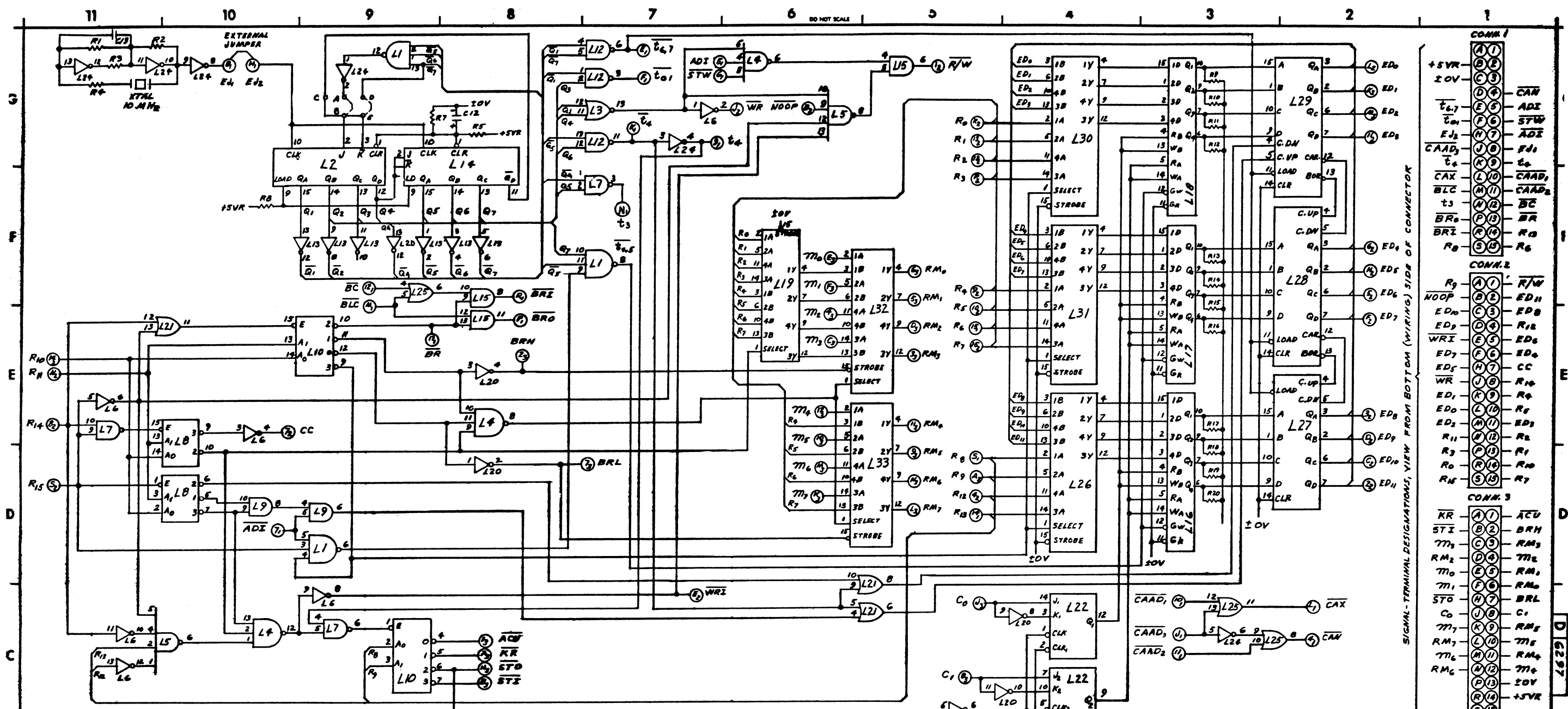
210-6296

WANG LABORATORIES INC.  
 TOWNSHIRE, MASS.

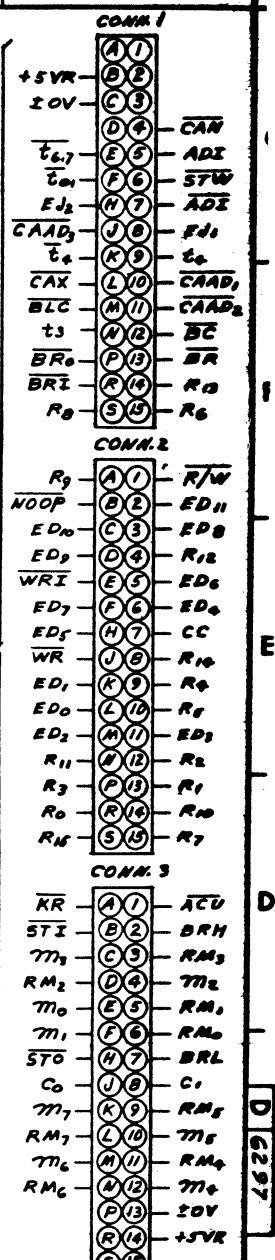
SCHEMATIC, LOGIBLOC 6296  
 MICRO PROCESSOR

REV. 4 6

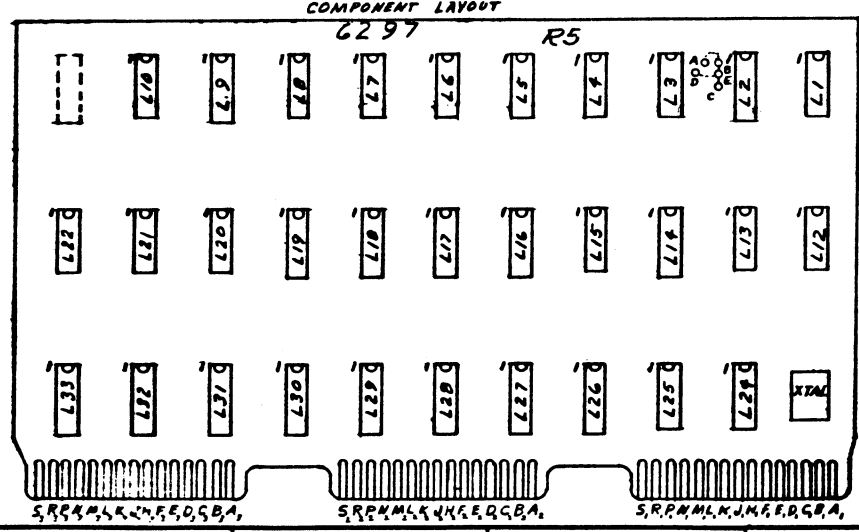
REV.	DESCRIPTION	DATE
1	REVISED PER 4-24-77	11-2-78
2	REVISED PER 4-24-77	11-2-78
3	REVISED PER 4-24-77	11-2-78
4	REVISED PER 4-24-77	11-2-78



SIGNAL-TERMINAL DESIGNATIONS, VIEW FROM BOTTOM (WIRING) SIDE OF CONNECTOR



LOADING CHART		
MODEL	BOARD NO.	LOADING VARIATION
630, 640, 730, 2230, 2240, 2242, 2243	6297-1	DO NOT LOAD L16, 17, 18, 22, R6, 9 THRU 20. JUMP L16, P1 TO P10, P1 TO P9, P2 TO P7, P3 TO P6. JUMP L17, P15 TO P10, P1 TO P9, P2 TO P7, P3 TO P6. JUMP L18, P15 TO P10, P1 TO P9, P2 TO P7, P3 TO P6.
740	6297-2	LOAD L16, 17, 18, 22, R6, 9 THRU 20
2260	6297-2	DO NOT LOAD L16, 17, 18, 22, R6, 9 THRU 20. JUMP L16, P15 TO P10, P1 TO P9, P2 TO P7, P3 TO P6. JUMP L17, P15 TO P10, P1 TO P9, P2 TO P7, P3 TO P6. JUMP L18, P15 TO P10, P1 TO P9, P2 TO P7, P3 TO P6. JUMP L19, P15 TO P10, P1 TO P9, P2 TO P7, P3 TO P6.



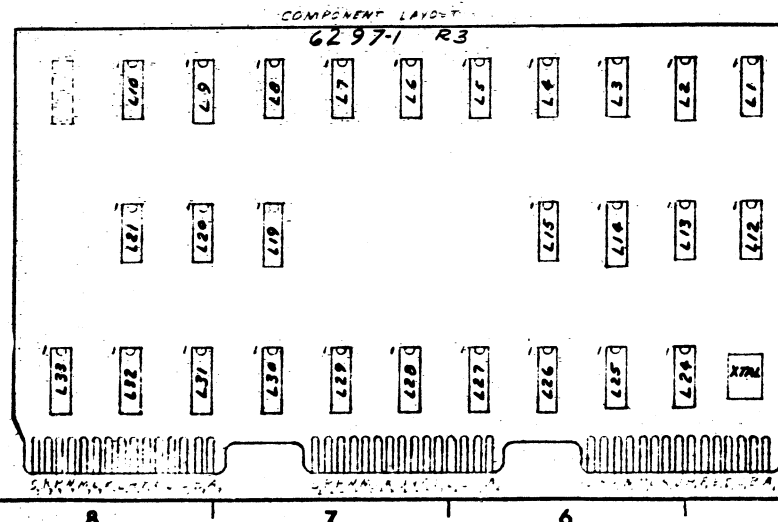
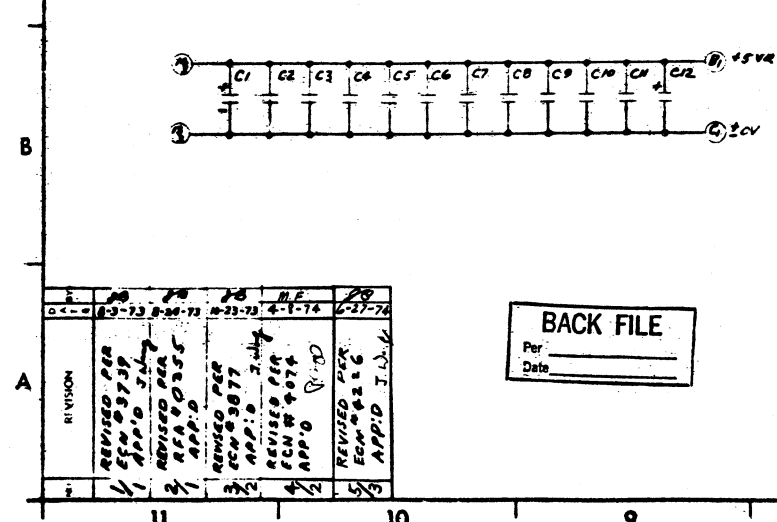
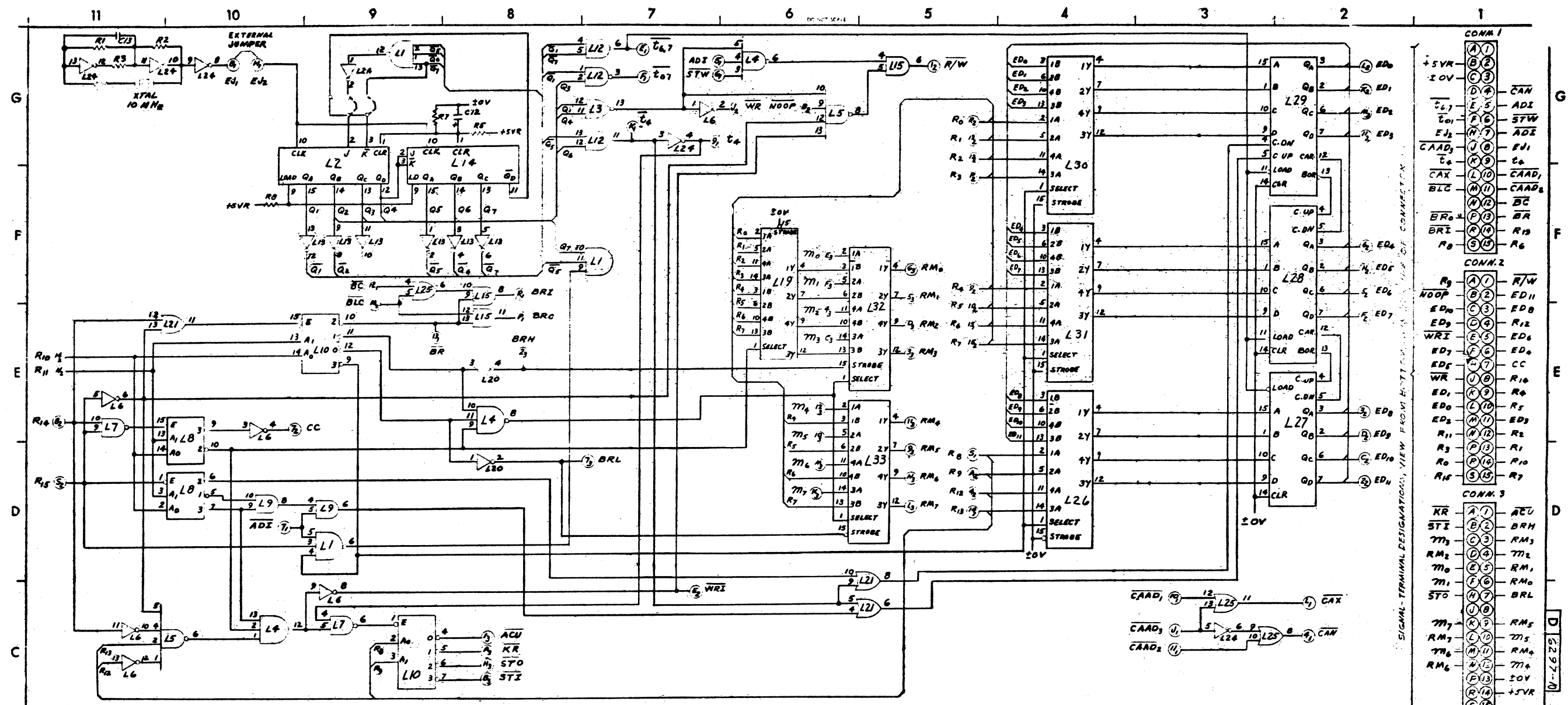
LOCATION	TYPE	W.L. PART NO.	TERM. NO. 10V	TERM. NO. VCC +5V	QTY
L1, 4	SW7410N	376-0003	7	14	2
L2, 14	SW74193N	376-0097	8	16	2
L3	SW7402N	376-0016	7	14	1
L5	SW7420N	376-0004	7	14	1
L6, 13, 20, 24	SW7404N	376-0010	7	14	4
L7, 12	SW7400N	376-0002	7	14	2
L8, 10	3221	376-0096	8	16	2
L9, 15	SW7408N	376-0081	7	14	2
L16, 17, 18	SW74170N	376-0095	8	16	3
L19, 26, 30, 31, 32, 33	SW74157N	376-0082	8	16	6
L21, 25	SW7432N	376-0093	7	14	2
L22	SW7473N	376-0008	11	4	1
L27, 28, 29	SW74193N	376-0095	8	16	3

COMP.	SIZE/TYP	W.L. PART NO.	QTY
R1	180-Ω 1/4W	330-2018	1
R2	1.8K 1/4W	330-5018	1
R3, 4	220-Ω 1/4W	330-2022	2
R5, 8	4.7K 1/4W	330-3047	2
R6	10K 1/4W	330-4010	1
R7	8.2K 1/4W	330-3082	1
C1, 12	15PF 20V TANT	300-4022	2
C2, 3, 4, 5, 6, 7, 8, 9, 10, 11	.05UF CER	300-1900	10
C12	9.2PF 20V TANT	300-4020	1
XTAL	10 MHz	381-0008	1
R8, 10, 12, 13, 14, 15, 16, 17, 18, 19, 20	2.2K 1/4W	330-5022	12
C13	15PF CER	300-1015	1

REVISION	REVISED PER	DATE	BY	APP'D
1	ECM # 3739	8-27-73	W-27-73	W-27-73
2	APP'D JELLY	8-27-73	W-27-73	W-27-73
3	REVISED PER RFA # 0355	9-11-73	W-27-73	W-27-73
4	REVISED PER APP'D	9-11-73	W-27-73	W-27-73
5	REVISED PER ECM # 3871	9-11-73	W-27-73	W-27-73
6	REVISED PER APP'D	9-11-73	W-27-73	W-27-73
7	REVISED PER ECM # 4074	9-11-73	W-27-73	W-27-73
8	REVISED PER APP'D	9-11-73	W-27-73	W-27-73
9	REVISED PER ECM # 4559	9-11-73	W-27-73	W-27-73
10	REVISED PER APP'D	9-11-73	W-27-73	W-27-73

DEC 07 1978

WANG LABORATORIES INC.  
 MODEL NO. 740  
 DRAWN BY 5-E-73  
 CHECKED BY E.M.L.  
 SCHEMATIC LOGIC LOG MICRO PROCESSOR  
 SHEET 1 OF 1  
 BOARD NO. 6297-123



LOCATION	TYPE	WL PART NO.	TERM. NO. 10V	TERM. NO. VCC	TERM. NO. GND	QTY
L1, 4	SM74157N	376-0003	7	14	2	1
L2, 10	SM74157N	376-0003	8	14	2	1
L3	SM7402N	376-0016	7	14	1	1
L5	SM7402N	376-0016	7	14	1	1
L6, 18, 20, 24	SM7404N	376-0010	7	14	4	1
L7, 12	SM7400N	376-0002	7	14	2	1
L9, 10	3721	376-0096	8	14	2	1
L9, 15	SM7408N	376-0081	7	14	2	1
L19, 26, 30, 31, 32, 33	SM74157N	376-0002	8	14	6	1
L21, 25	SM7432N	376-0093	7	14	2	1
L27, 28, 29	SM74157N	376-0003	8	14	3	1

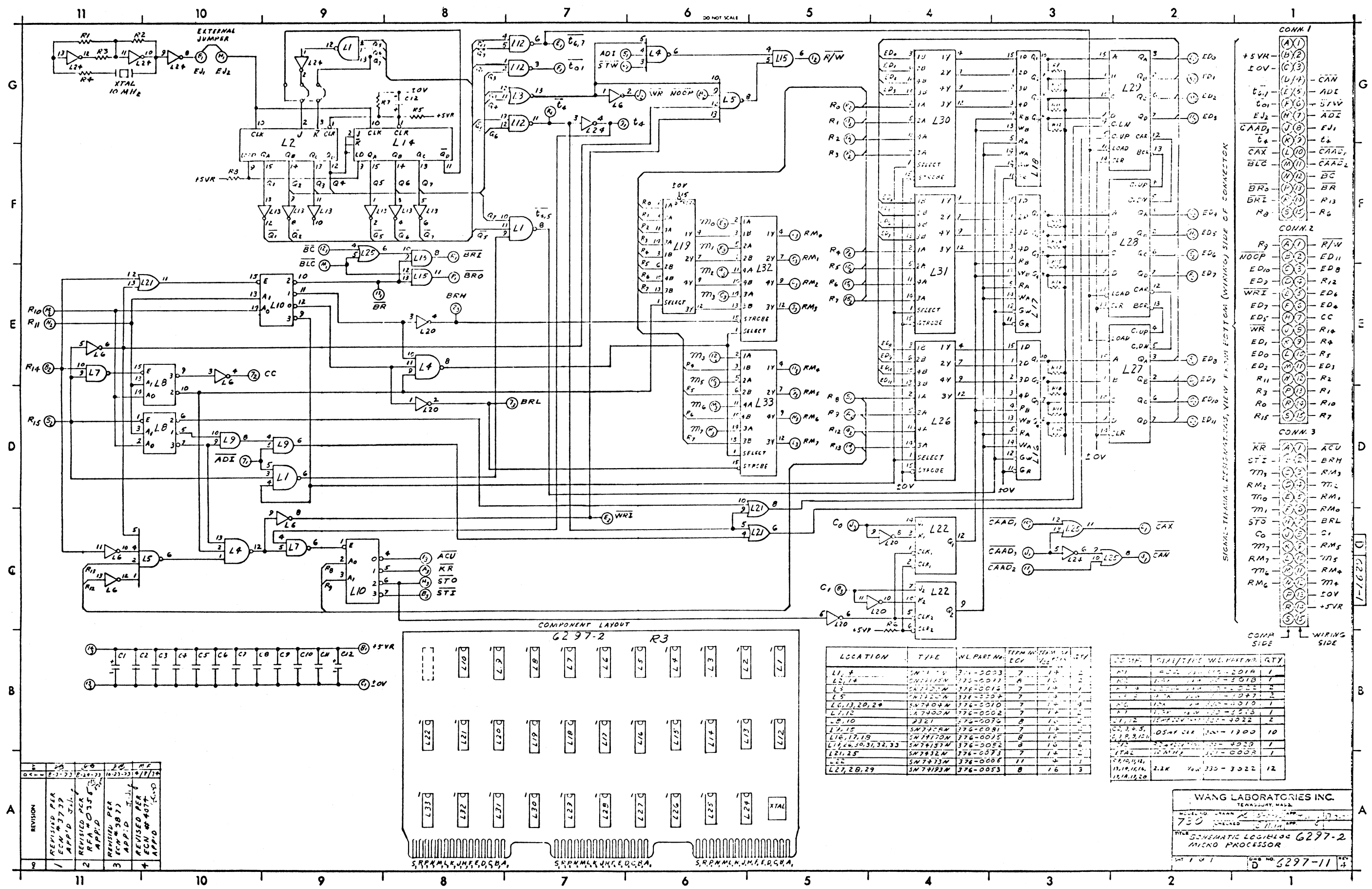
COMP.	SIZE/TYP.	WL PART NO.	QTY
R1	100K	376-2010	1
R2	1.0K	376-2010	1
R3, 4	220Ω	376-2022	2
R5, 8	4.7K	376-2047	2
R7	6.8K	376-2068	1
C1, 12	15M 20V TANT	300-4022	2
C2, 3, 4, 5	.054K CER	300-1900	10
L1, 2, 3, 4, 5, 6, 7, 8, 9, 10, 11	10MHZ	321-2753	1
C13	18PF CER	300-1818	1

NOTE: 1. THIS BOARD IS USED ON FOLLOWING MODELS, 630, 640, 730, 2230, 2240, 2242 & 2243.

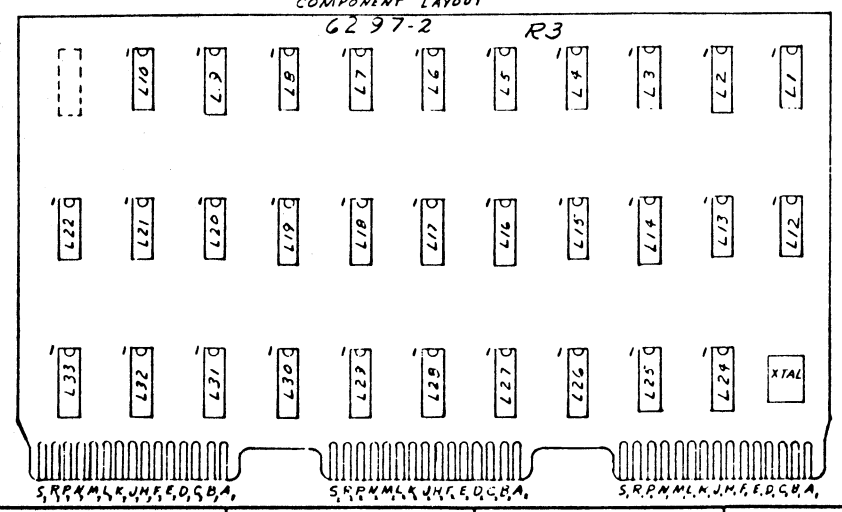
WANG LABORATORIES INC.  
 MODEL NO. 6297-1  
 DRAWN BY: S. E. 7/74  
 CHECKED BY: S. E. 7/74  
 TITLE: SCHEMATIC LOGIC BOARD 6297-1 MICRO PROCESSOR  
 SHEET 1 OF 1  
 FILE NO. 6297-10

REVISION	DATE	BY	REASON
1	8-23-73	...	...
2	9-20-73	...	...
3	10-23-73	...	...
4	1-1-74	...	...
5	...	...	...





REVISION	DATE	BY	CHKD	APP'D
1	8-23-73	...	...	...
2	8-23-73	...	...	...
3	8-23-73	...	...	...
4	8-23-73	...	...	...



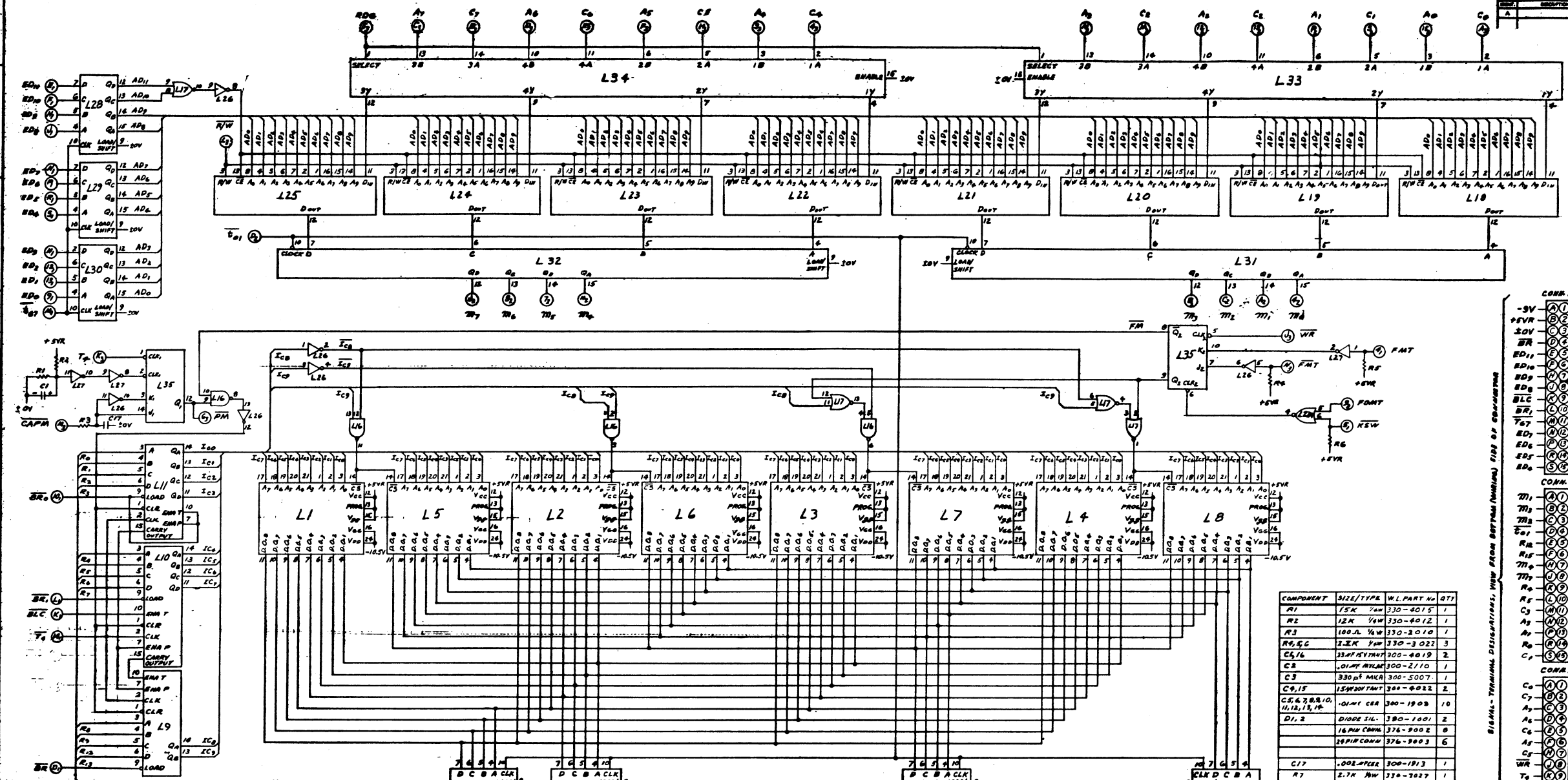
LOCATION	TYPE	WL PART NO.	QTY
L1, 4	SN74151	374-0033	7
L2, 14	SN74151	374-0011	1
L3	SN74151	374-0016	7
L5	SN74151	374-0024	7
L6, 13, 20, 24	SN7404	374-0010	7
L7, 12	SN7404	374-0002	7
L8, 10	3321	374-0076	8
L9, 15	SN7404	374-0091	7
L16, 17, 19	SN74120	374-0018	8
L18, 20, 31, 32, 33	SN74151	374-0052	8
L21, 25	SN7432	374-0073	7
L22	SN7432	374-0088	11
L27, 28, 29	SN74151	374-0053	8

QTY	DESCRIPTION	WL PART NO.
1	...	...
1	...	...
2	...	...
1	...	...
1	...	...
2	...	...
10	...	...
1	...	...
1	...	...
12	...	...

WANG LABORATORIES INC.  
 TERNHOUT, MASS.  
 750  
 TITLE: SCHEMATIC LOGIC LOG 6297-2  
 MICRO PROCESSOR  
 6297-11

THIS DRAWING IS THE PROPERTY OF WANG COMMUNICATIONS, INC. AND SHALL NOT BE LOANED, REPRODUCED, COPIED, OR IN ANY MANNER DISSEMINATED TO OTHERS WITHOUT PERMISSION.

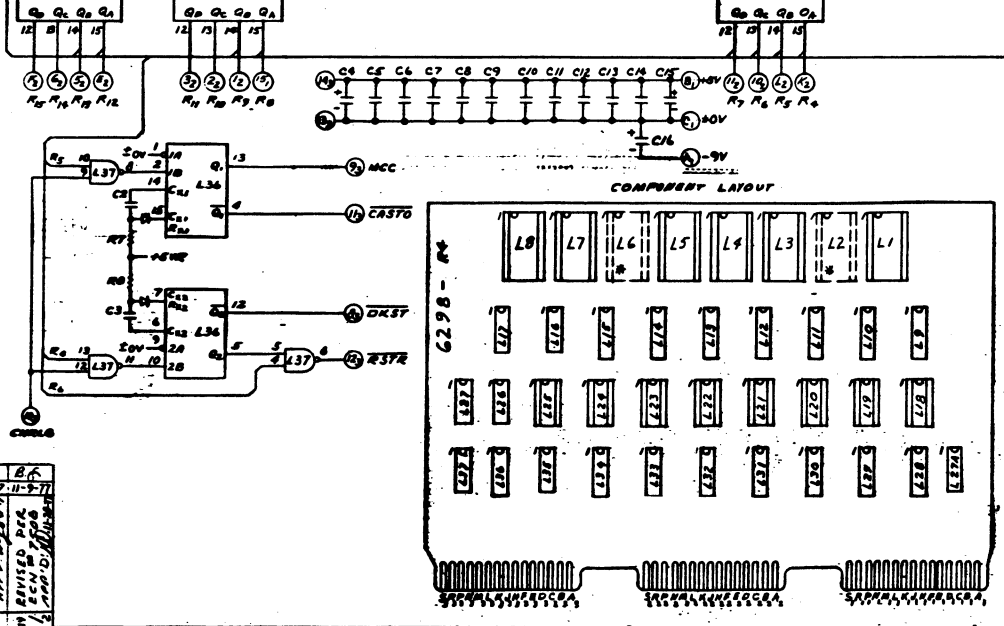
REV.	DESCRIPTION	DATE
1	ISSUED FOR FABRICATION	11/10/78
2	REVISED FOR FABRICATION	11/10/78
3	REVISED FOR FABRICATION	11/10/78



COMPONENT	SIZE/TYPE	M.L. PART NO.	QTY
R1	15K 1/4W	330-4015	1
R2	12K 1/4W	330-4012	1
R3	100Ω 1/4W	330-2010	1
R4, R5	2.2K 1/4W	330-3022	3
C1, C2	33pF MYLAR	300-4019	2
C3	0.01μF MYLAR	300-2110	1
C4	330pF MICA	300-5007	1
C5, C6	15MΩ 1/4W	304-4022	2
C7, C8, C9, C10, C11, C12, C13	0.01μF CER	300-1909	10
D1, 2	DIODE 1N4148	330-1001	2
D3	16MΩ 1/4W	376-3002	8
D4	20PICOVAR	376-3003	6
C17	0.002μF CER	300-1913	1
R7	2.7K 1/4W	330-3027	1
R8	6.8K 5%	330-3069	1

VARIATION	-A	-B	-C	-D	-E	-1A	-1B	-1C	-1D
VAR. NO.	630-1	630-2	630-3	730-1	730-2	730-3	2230-1	2230-2	2230-3
LAYOUT	378-0163	378-0163	378-0163	378-0163	378-0163	378-0163	378-0163	378-0163	378-0163
L1	378-0163	378-0163	378-0163	378-0163	378-0163	378-0163	378-0163	378-0163	378-0163
L2	378-0163	378-0163	378-0163	378-0163	378-0163	378-0163	378-0163	378-0163	378-0163
L3	378-0163	378-0163	378-0163	378-0163	378-0163	378-0163	378-0163	378-0163	378-0163
L4	378-0163	378-0163	378-0163	378-0163	378-0163	378-0163	378-0163	378-0163	378-0163
L5	378-0163	378-0163	378-0163	378-0163	378-0163	378-0163	378-0163	378-0163	378-0163
L6	378-0163	378-0163	378-0163	378-0163	378-0163	378-0163	378-0163	378-0163	378-0163

VARIATION	-J	-1D	-1E	-K	-M	-N	-P	-1F	-1N	-1J
VAR. NO.	640-2	740-1	740-2	2240-1	2240-2	2242	2243	2260	2260	2260
LAYOUT	378-0211	378-0211	378-0211	378-0211	378-0211	378-0211	378-0211	378-0211	378-0211	378-0211
L1	378-0211	378-0211	378-0211	378-0211	378-0211	378-0211	378-0211	378-0211	378-0211	378-0211
L2	378-0211	378-0211	378-0211	378-0211	378-0211	378-0211	378-0211	378-0211	378-0211	378-0211
L3	378-0211	378-0211	378-0211	378-0211	378-0211	378-0211	378-0211	378-0211	378-0211	378-0211
L4	378-0211	378-0211	378-0211	378-0211	378-0211	378-0211	378-0211	378-0211	378-0211	378-0211
L5	378-0211	378-0211	378-0211	378-0211	378-0211	378-0211	378-0211	378-0211	378-0211	378-0211
L6	378-0211	378-0211	378-0211	378-0211	378-0211	378-0211	378-0211	378-0211	378-0211	378-0211



LOCATION	TYPE	M.L. PART NO.	TERMINAL NO.	TERMINAL VOLTAGE	QTY
L1, 3, 4, 7, 8	1702A	377-0009	12	12	1
L5, 10, 11	SN7814N/2516	376-0008	8	16	3
L12, 13, 14, 15, 23, 24, 25, 26	SN7815N	376-0007	8	16	3
L16, 32	SN7400N	376-0002	7	14	2
L17, 27A	SN7402N	376-0016	7	14	2
L18, 24, 25, 26, 27, 28, 29	210L	377-0069	9	10	8
L26, 27	SN7805N	376-0010	7	14	2
L28, 29	SN74157N	376-0082	8	16	2
L30	SN7473N	376-0005	11	11	1
L36	SN74123N	376-0080	8	16	1

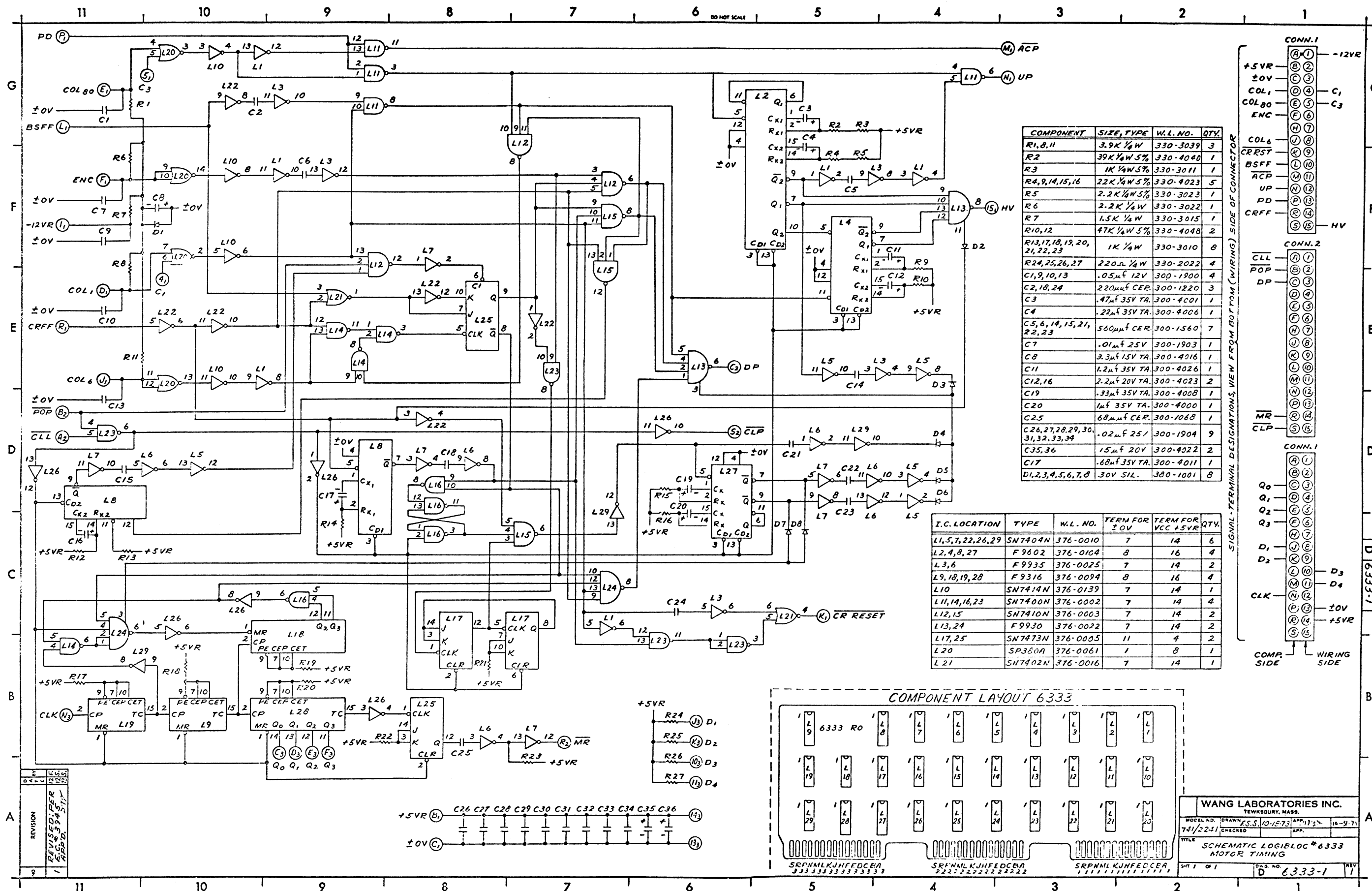
\* SEE LOADING VARIATION CHART ELSEWHERE ON SCHEMATIC.  
L5 AND L6 NOT LOADED.

DEC 07 1978

REV.	DATE	BY	DESCRIPTION
1	11/10/78	J.H.	ISSUED FOR FABRICATION
2	11/10/78	J.H.	REVISED FOR FABRICATION
3	11/10/78	J.H.	REVISED FOR FABRICATION

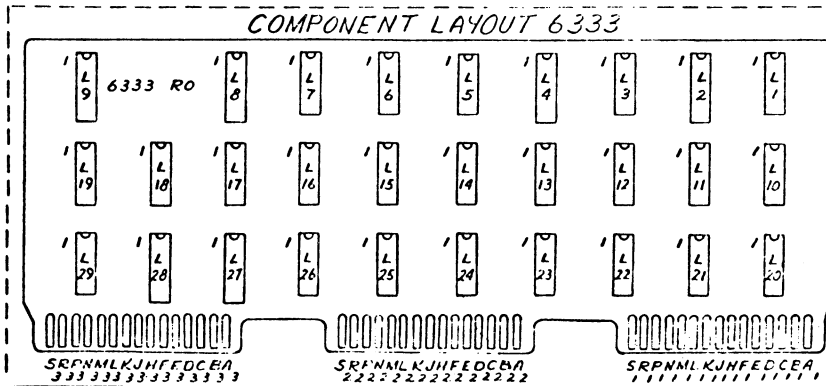
WANG PART NO.	ITEM	QTY	NAME	MATERIAL	DATE	APPROVED BY	DATE
210-6298	E	6298	SCHEMATIC LOGIC 6298		11/10/78	J.H.	11/10/78
210-6298	E	6298	MICRO-PROCESSOR 6298, ROM MEMORY		11/10/78	J.H.	11/10/78





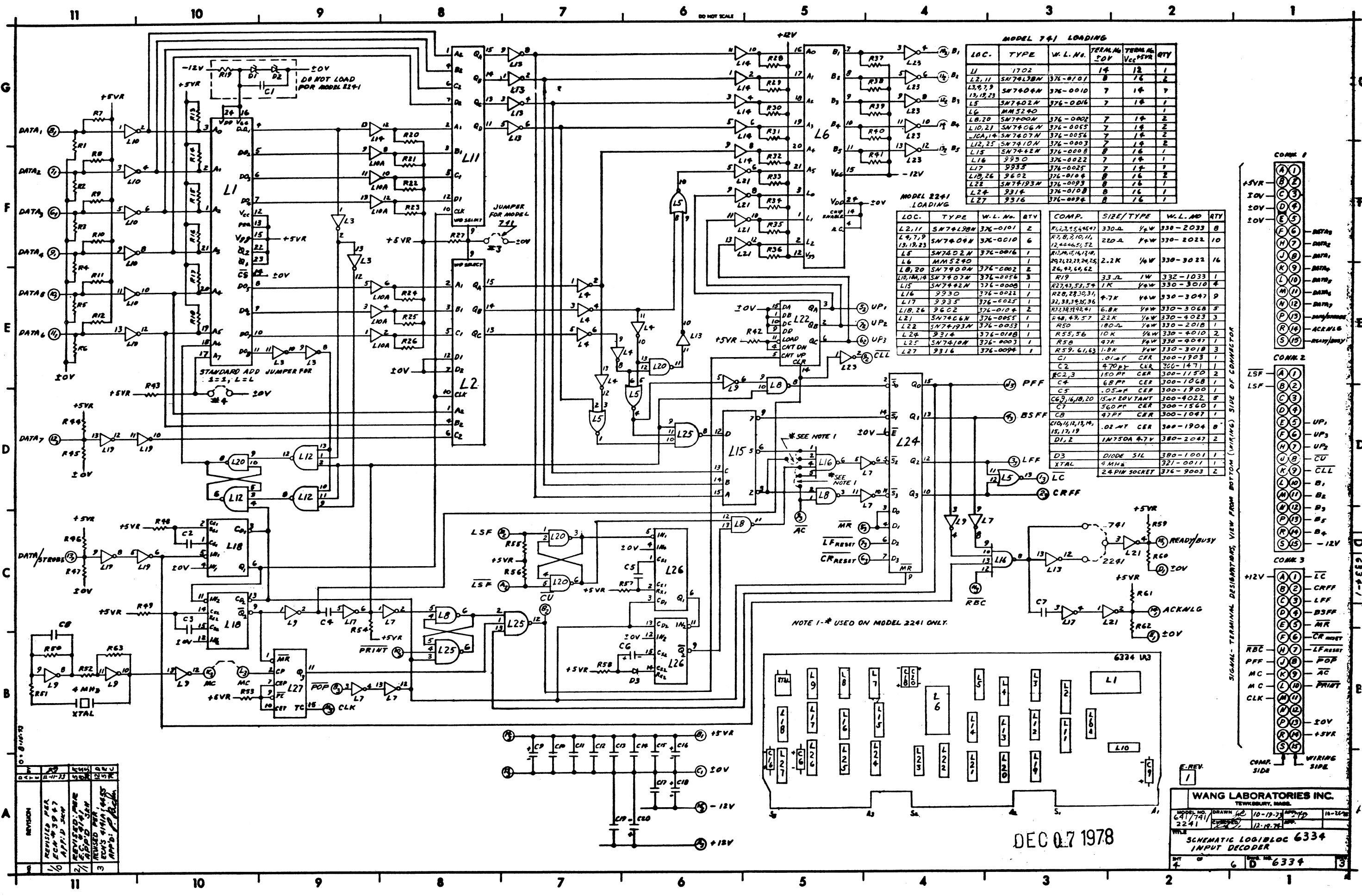
COMPONENT	SIZE, TYPE	W.L. NO.	QTY.
R1, 8, 11	3.9K 1/4W	330-3039	3
R2	39K 1/4W 5%	330-4040	1
R3	1K 1/4W 5%	330-3011	1
R4, 9, 14, 15, 16	2.2K 1/4W 5%	330-4023	5
R5	2.2K 1/4W 5%	330-3023	1
R6	2.2K 1/4W	330-3022	1
R7	1.5K 1/4W	330-3015	1
R10, 12	47K 1/4W 5%	330-4048	2
R13, 17, 18, 19, 20, 21, 22, 23	1K 1/4W	330-3010	8
R24, 25, 26, 27	220Ω 1/4W	330-2022	4
C1, 9, 10, 13	.05μF 12V	300-1900	4
C2, 18, 24	220μF CER.	300-1220	3
C3	.47μF 35V TA.	300-4001	1
C4	.22μF 35V TA.	300-4006	1
C5, 6, 14, 15, 21, 22, 23	500μF CER.	300-1560	7
C7	.01μF 25V	300-1903	1
C8	3.3μF 15V TA.	300-4016	1
C11	1.2μF 35V TA.	300-4026	1
C12, 16	2.2μF 20V TA.	300-4023	2
C19	.33μF 35V TA.	300-4008	1
C20	1μF 35V TA.	300-4000	1
C25	68μF CER.	300-1068	1
C26, 27, 28, 29, 30, 31, 32, 33, 34	.02μF 25V	300-1904	9
C35, 36	15μF 20V	300-4022	2
C17	.68μF 35V TA.	300-4011	1
D1, 2, 3, 4, 5, 6, 7, 8	30V SIL.	300-1001	8

I.C. LOCATION	TYPE	W.L. NO.	TERM FOR ±0V	TERM FOR VCC +5V	QTY.
L1, 5, 7, 22, 26, 29	SN7404N	376-0010	7	14	6
L2, 4, 8, 27	F9602	376-0104	8	16	4
L3, 6	F9935	376-0025	7	14	2
L9, 18, 19, 28	F9316	376-0094	8	16	4
L10	SN7414N	376-0139	7	14	1
L11, 14, 16, 23	SN7400N	376-0002	7	14	4
L12, 15	SN7410N	376-0003	7	14	2
L13, 24	F9930	376-0022	7	14	2
L17, 25	SN7473N	376-0005	11	4	2
L20	SP360A	376-0061	1	8	1
L21	SN7402N	376-0016	7	14	1



**WANG LABORATORIES INC.**  
 TEWKSBURY, MASS.  
 MODEL NO. DRAWING NO. 7-1/22-1  
 TITLE: SCHEMATIC LOGICLOC #6333 MOTOR TIMING  
 DATE: 10-1-73  
 Dwg No. 6333-1

REVISION	DATE	BY	CHKD
1	7-23-73	FS	FS

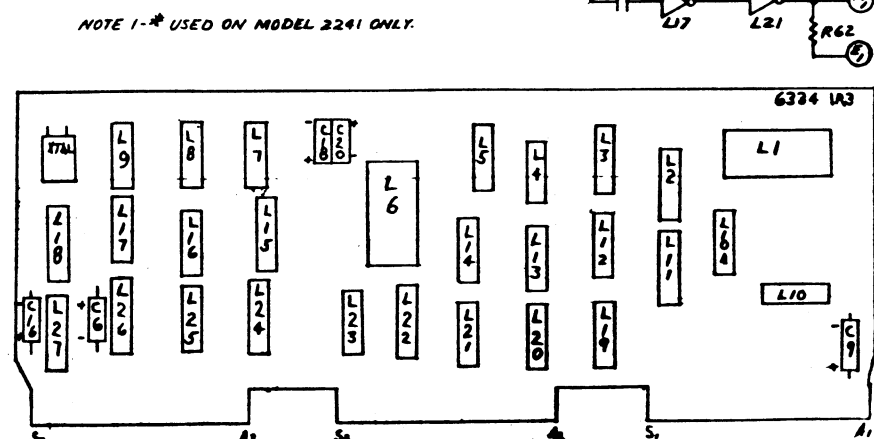
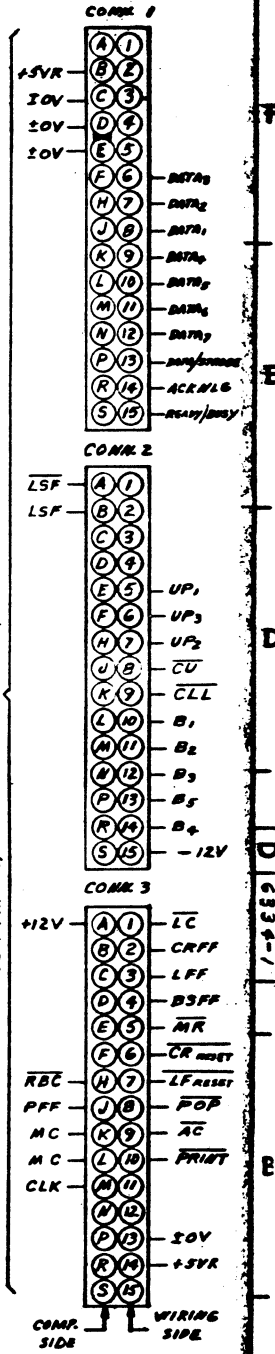


**MODEL 741 LOADING**

LOC.	TYPE	W. L. No.	TERMS. TO Vcc	TERMS. TO GND	QTY
L1	1702		14	12	1
L2, 11	SN74LS0N	376-0701	8	16	2
L3, 7, 9, 13, 19, 23	SN7404N	376-0010	7	14	7
L5	SN7402N	376-0016	7	14	1
L6	MM5240				1
L8, 20	SN7400N	376-0002	7	14	2
L10, 21	SN7406N	376-0055	7	14	2
L10A, 14	SN7407N	376-0056	7	14	2
L12, 25	SN7410N	376-0003	7	14	2
L15	SN7442N	376-0008	8	16	1
L16	9330	376-0022	7	14	1
L17	9335	376-0025	7	14	1
L18, 26	9602	376-0104	8	16	2
L22	SN74193N	376-0093	8	16	1
L24	9314	376-0108	8	16	1
L27	9316	376-0094	8	16	1

**MODEL 2241 LOADING**

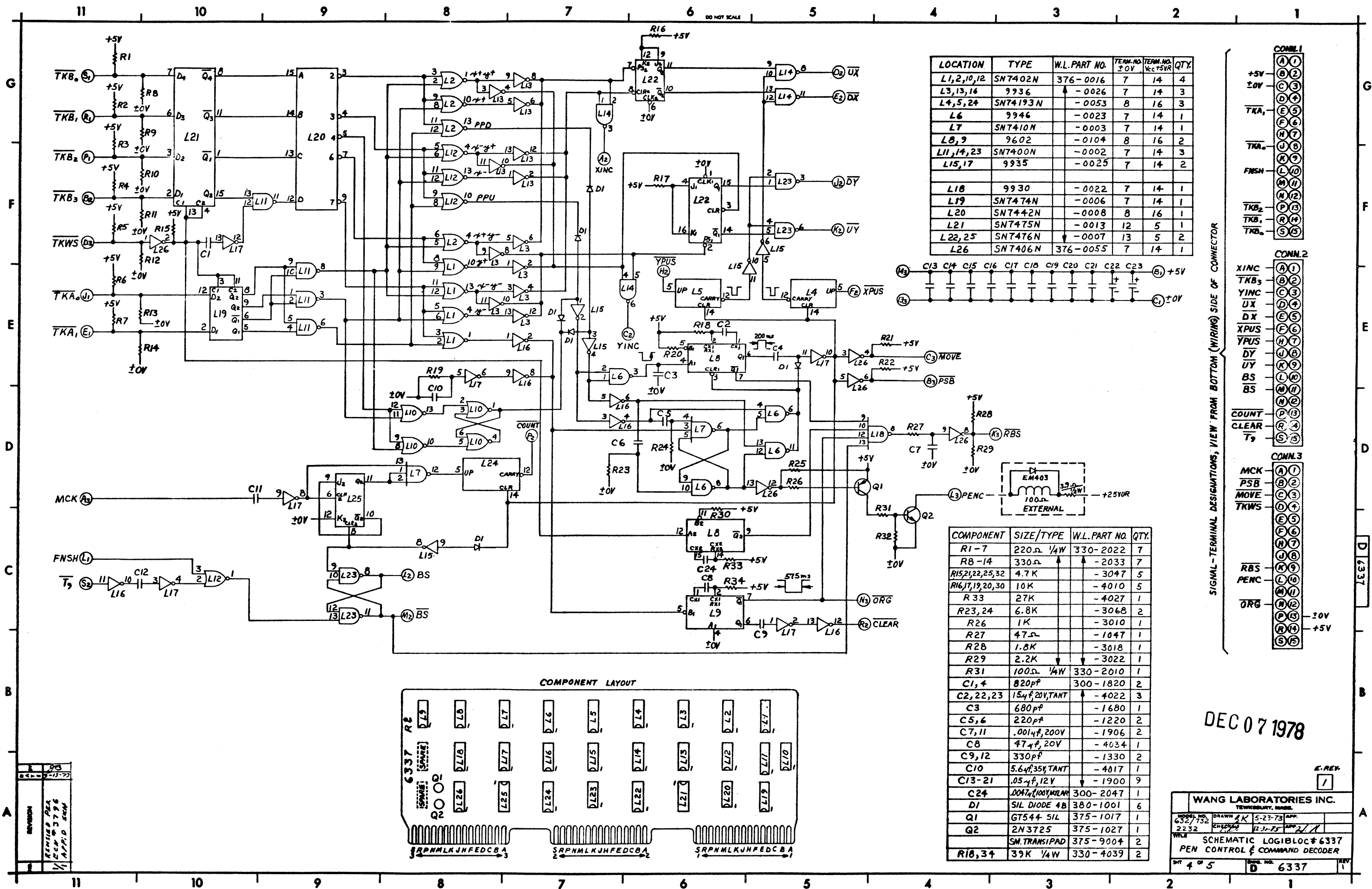
LOC.	TYPE	W. L. No.	QTY	COMP.	SIZE/TYP	W. L. No.	QTY		
L2, 11	SN74LS0N	376-0101	2	R1, 2, 3, 5, 6, 9, 11	330-Ω	1/4W	330-2033	8	
L4, 7, 9, 13, 19, 23	SN7404N	376-0010	6	R2, 8, 10, 11, 12, 44, 45, 52	220-Ω	1/4W	330-2022	10	
L5	SN7402N	376-0016	1	R13, 14, 15, 17, 19, 20, 21, 22, 23, 24, 25, 26, 42, 43, 62	2.2K	1/4W	330-3022	16	
L6	MM5240		1						
L8, 20	SN7400N	376-0002	2						
L10, 10A, 14	SN7407N	376-0056	3	R19	33-Ω	1W	332-1033	1	
L15	SN7442N	376-0008	1	R27, 43, 53, 54	1K	1/4W	330-3010	4	
L16	9330	376-0022	1	R28, 28, 30, 31, 32, 33, 34, 35, 36	4.7K	1/4W	330-3047	9	
L17	9335	376-0025	1	R37, 38, 39, 41	6.8K	1/4W	330-3068	5	
L18, 26	9602	376-0104	2	R48, 49, 57	22K	1/4W	330-4023	3	
L21	SN7406N	376-0055	1	R50	180-Ω	1/4W	330-2018	1	
L22	SN74193N	376-0093	1	R55, 56	10K	1/4W	330-4010	2	
L24	9314	376-0108	1	R58	47K	1/4W	330-4047	1	
L25	SN7410N	376-0003	1	R59, 61, 63	1.8K	1/4W	330-3018	3	
L27	9316	376-0094	1	C1	.01-μF	CRK	300-1903	1	
				C2	470pF	CER	300-1471	1	
				RC2, 3	150pF	CER	300-1150	2	
				C4	68pF	CER	300-1068	1	
				C5	.05-μF	CER	300-1900	1	
				C6, 7, 16, 18, 20	15-μF	20V TANT	300-4022	5	
				C7	560pF	CER	300-1560	1	
				C8	47pF	CER	300-1047	1	
				C10, 11, 13, 14, 15, 17, 19	.02-μF	CER	300-1904	8	
				D1, 2	1N750A	4.7V	380-2047	2	
				D3	DIODE	SIL	380-1001	1	
				XTAL	9MHz		321-0011	1	
							24 PIN SOCKET	376-9003	2



REV.	DATE	BY	CHKD.	APP'D.
1	10-19-73	WJG	WJG	WJG
2	12-12-73	WJG	WJG	WJG

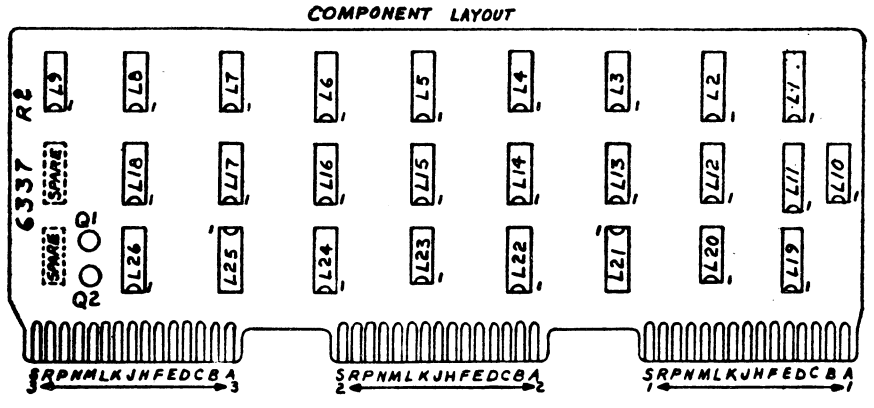
DEC 07 1978

**WANG LABORATORIES INC.**  
TECHNICAL DEPT.  
MODEL NO. 6334-1  
DRAWN 10-19-73  
DATE 12-12-73  
TITLE SCHEMATIC LOGIBLOC 6334 INPUT DECODER  
SHEET 4 OF 6



LOCATION	TYPE	W.L. PART NO.	TERM. NO. ±0V	TERM. NO. Vcc +5V	QTY.
L1,2,10,12	SN7402N	376-0016	7	14	4
L3,13,16	9936	-0026	7	14	3
L4,5,24	SN74193N	-0053	8	16	3
L6	9946	-0023	7	14	1
L7	SN7410N	-0003	7	14	1
L8,9	9602	-0104	8	16	2
L11,14,23	SN7400N	-0002	7	14	3
L15,17	9935	-0025	7	14	2
L18	9930	-0022	7	14	1
L19	SN7474N	-0006	7	14	1
L20	SN7442N	-0008	8	16	1
L21	SN7475N	-0013	12	5	1
L22,25	SN7476N	-0007	13	5	2
L26	SN7406N	376-0055	7	14	1

COMPONENT	SIZE/TYPER	W.L. PART NO.	QTY.
R1-7	220Ω 1/4W	330-2022	7
R8-14	330Ω	-2033	7
R15,21,22,25,32	4.7K	-3047	5
R16,17,19,20,30	10K	-4010	5
R33	27K	-4027	1
R23,24	6.8K	-3068	2
R26	1K	-3010	1
R27	47Ω	-1047	1
R28	1.8K	-3018	1
R29	2.2K	-3022	1
R31	100Ω 1/4W	330-2010	1
C1,4	820pF	300-1820	2
C2,22,23	154pF, 20V, TANT	-4022	3
C3	680pF	-1680	1
C5,6	220pF	-1220	2
C7,11	.001μF, 200V	-1906	2
C8	47μF, 20V	-4034	1
C9,12	330pF	-1330	2
C10	5.6μF, 35V, TANT	-4017	1
C13-21	.05μF, 12V	-1900	9
C24	100μF, 100V, MLAR	300-2047	1
D1	SIL DIODE 4B	380-1001	6
Q1	GT544 SIL	375-1017	1
Q2	2N3725	375-1027	1
	SM. TRANSIPAD	375-9004	2
R18,34	39K 1/4W	330-4039	2

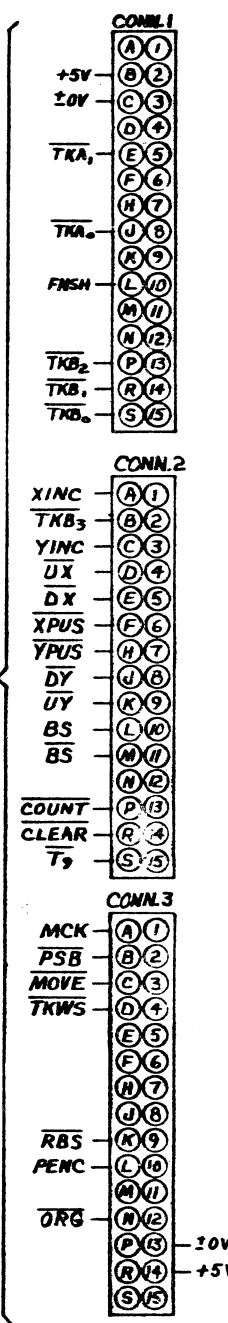


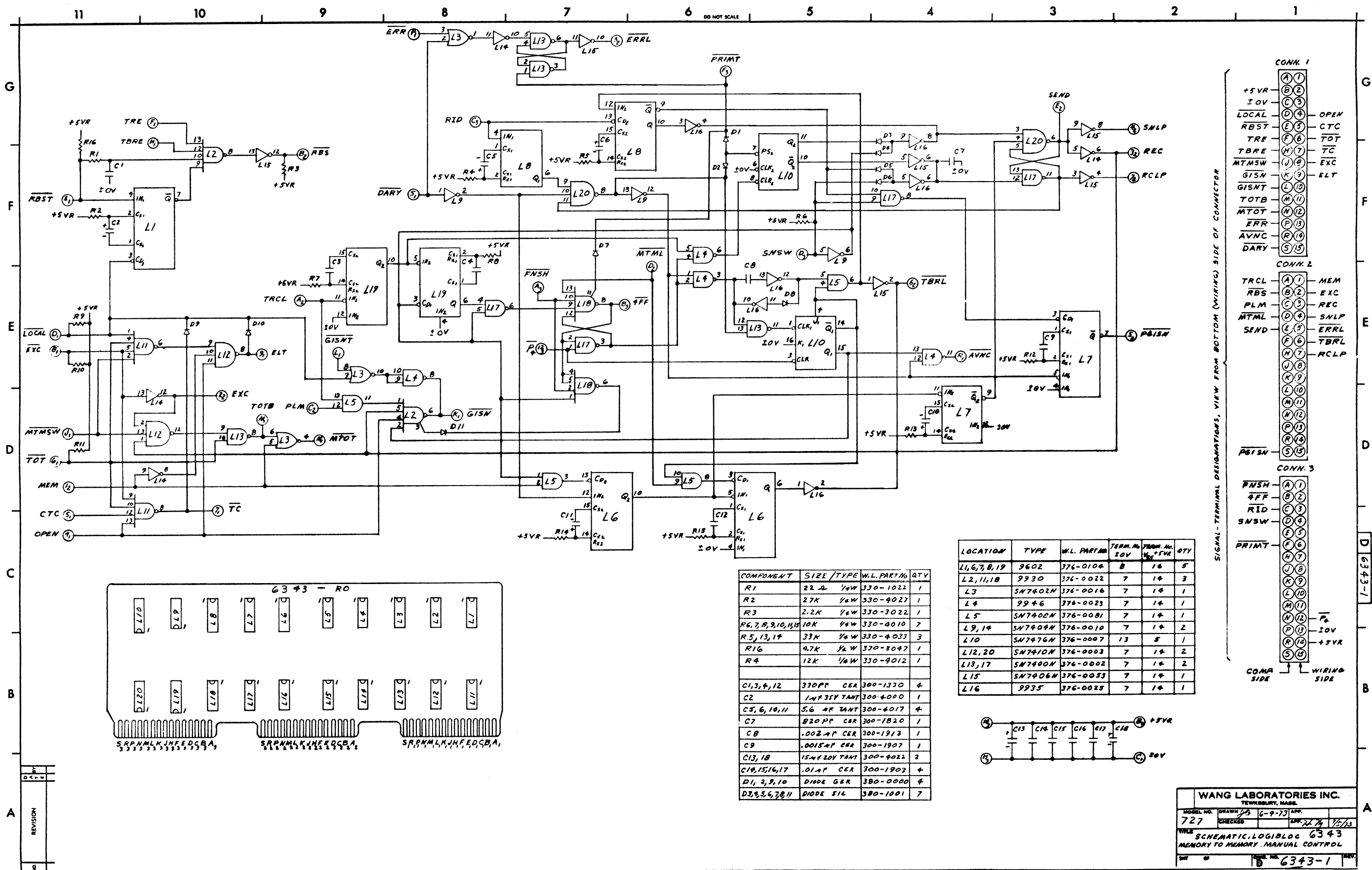
DEC 07 1978

WANG LABORATORIES INC.  
 MODEL NO. 632/732  
 DRAWN BY K  
 5-23-73  
 2232  
 CHECKED BY  
 12-31-73  
 APP'D BY  
 SCHEMATIC LOGIBLOC # 6337  
 PEN CONTROL & COMMAND DECODER  
 SHEET 4 OF 5  
 REV. NO. 1  
 6337

REVISION	DATE	BY
1	5-13-73	...
2	...	...

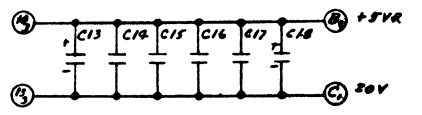
SIGNAL - TERMINAL DESIGNATIONS, VIEW FROM BOTTOM (WIRING) SIDE OF CONNECTOR





COMPONENT	SIZE / TYPE	W.L. PART NO	QTY
R1	22 Ω 1/4W	330-1022	1
R2	27K 1/4W	330-9027	1
R3	2.2K 1/4W	330-3022	1
R6,7,8,9,10,11,15	10K 1/4W	330-4010	7
R5,13,14	33K 1/4W	330-4033	3
R16	97K 1/4W	330-3047	1
R4	12K 1/4W	330-9012	1
C1,3,4,12	330PF CER	300-1330	4
C2	1M 35V TANT	300-4000	1
C5,6,10,11	5.6 4F TANT	300-4017	4
C7	820PF CER	300-1820	1
C8	.002 1F CER	300-1913	1
C9	.0015 1F CER	300-1907	1
C13,18	15 1/2 20V TANT	300-4022	2
C19,15,14,17	.01 1F CER	300-1903	4
D1,2,9,10	DIODE GER	380-0000	4
D3,5,6,7,8,11	DIODE SIL	380-1001	7

LOCATION	TYPE	W.L. PART NO	TERM. NO	FROM NO	QTY
L1,6,7,8,19	9602	376-0104	B	16	5
L2,11,18	9930	376-0022	7	14	3
L3	SN7402N	376-0016	7	14	1
L4	9946	376-0023	7	14	1
L5	SN7400N	376-0081	7	14	1
L9,14	SN7404N	376-0010	7	14	2
L10	SN7476N	376-0007	13	5	1
L12,20	SN7410N	376-0003	7	14	2
L13,17	SN7480N	376-0002	7	14	2
L15	SN7406N	376-0033	7	14	1
L16	9935	376-0025	7	14	1



WANG LABORATORIES INC.  
TEWKSBURY, MASS.

MODEL NO. 727  
DRAWN BY 6-9-73  
CHECKED BY  
APP. BY 1/5/73

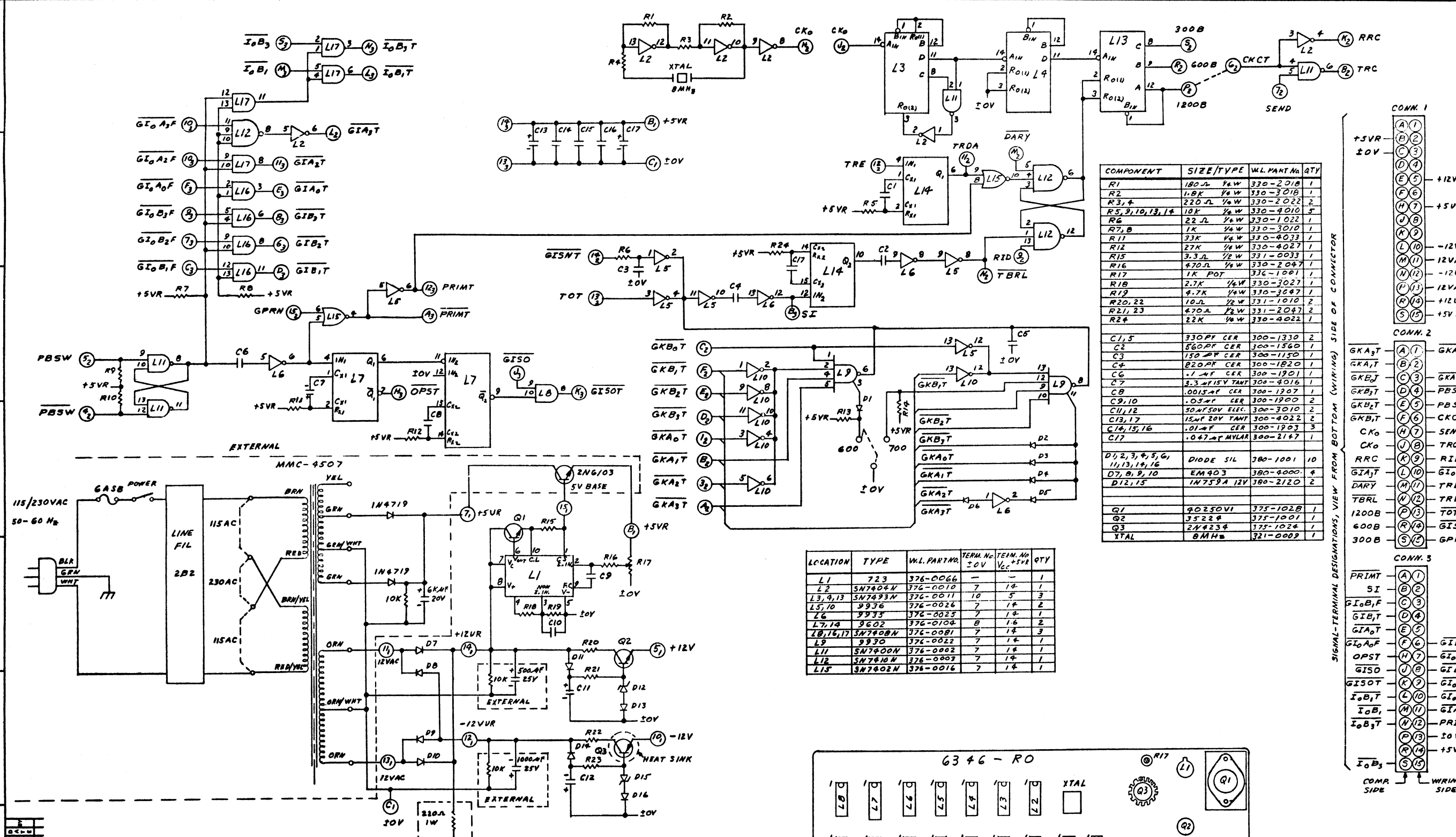
TITLE: SCHEMATIC, LOGIBLOC 6343  
MEMORY TO MEMORY MANUAL CONTROL

REV. OF B 6343-1

G  
F  
E  
D  
C  
B  
A

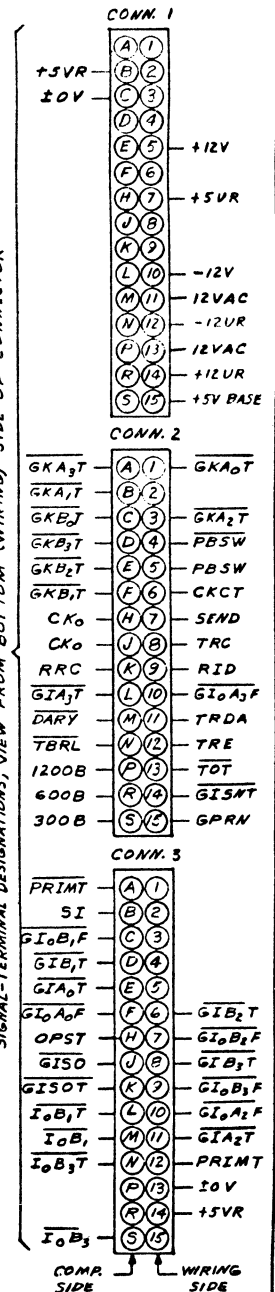
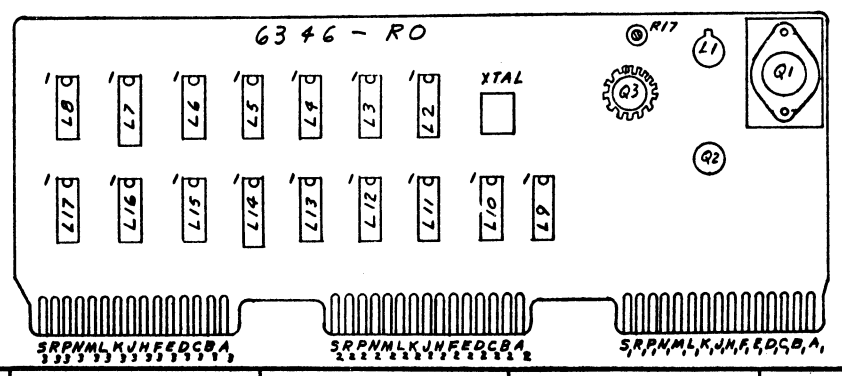
G  
F  
E  
D  
C  
B  
A

DO NOT SCALE



COMPONENT	SIZE/TYPE	W.L. PART NO.	QTY
R1	180 Ω 1/4 W	330-2018	1
R2	1.8 K 1/4 W	330-3018	1
R3, 4	220 Ω 1/4 W	330-2022	2
R5, 9, 10, 13, 14	10 K 1/4 W	330-4010	5
R6	22 Ω 1/4 W	330-1022	1
R7, 8	1 K 1/4 W	330-3010	1
R11	33 K 1/4 W	330-4033	1
R12	27 K 1/4 W	330-4027	1
R15	3.3 Ω 1/2 W	331-0033	1
R16	470 Ω 1/4 W	330-2047	1
R17	1 K POT	336-1001	1
R18	2.7 K 1/4 W	330-3027	1
R19	4.7 K 1/4 W	330-3047	1
R20, 22	10 Ω 1/2 W	331-1010	2
R21, 23	470 Ω 1/4 W	331-2047	2
R24	22 K 1/4 W	330-4022	1
C1, 5	330 PPF CER	300-1330	2
C2	560 PPF CER	300-1560	1
C3	150 PPF CER	300-1150	1
C4	820 PPF CER	300-1820	1
C6	.1 μF CER	300-1901	1
C7	3.3 μF 15V TANT	300-4016	1
C8	.0015 μF CER	300-1907	1
C9, 10	.05 μF CER	300-1900	2
C11, 12	50 μF 50V ELEC.	300-3010	2
C13, 17	15 μF 20V TANT	300-4022	2
C14, 15, 16	.01 μF CER	300-1903	3
C17	.047 μF MYLAR	300-2147	1
D1, 2, 3, 4, 5, 6, 11, 13, 14, 16	DIODE SIL	380-1001	10
D7, 8, 9, 10	EM 403	380-4000	4
D12, 15	1N759A 12V	380-2120	2
Q1	40250VI	375-1028	1
Q2	35224	375-1001	1
Q3	2N4234	375-1024	1
XTAL	8MHz	321-0009	1

LOCATION	TYPE	W.L. PART NO.	TERM. NO. ±0V	TERM. NO. +5V	QTY
L1	723	376-0066	-	-	1
L2	SN7404N	376-0010	7	14	1
L3, 9, 13	SN7493N	376-0011	10	5	3
L5, 10	9936	376-0026	7	14	2
L6	9933	376-0025	7	14	1
L7, 14	9602	376-0104	8	14	2
L8, 16, 17	SN7408N	376-0081	7	14	3
L9	9930	376-0022	7	14	1
L11	SN7400N	376-0002	7	14	1
L12	SN7410N	376-0003	7	14	1
L15	SN7402N	376-0016	7	14	1



REV.	DESCRIPTION
1	INITIAL

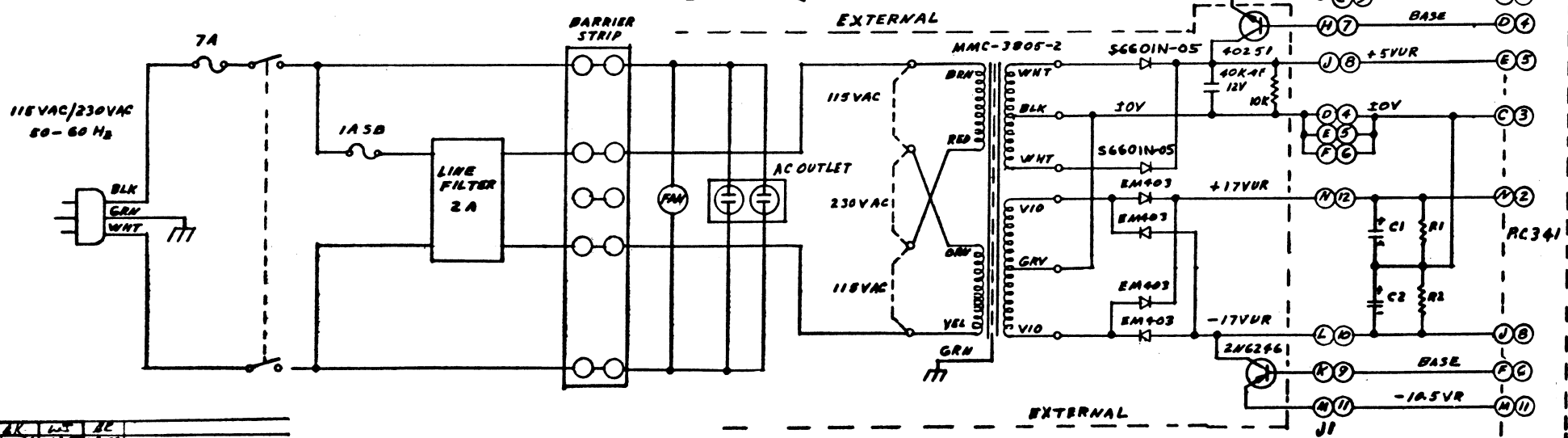
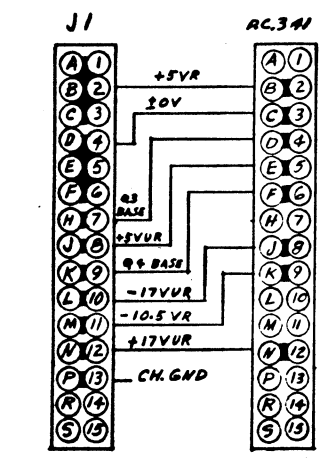
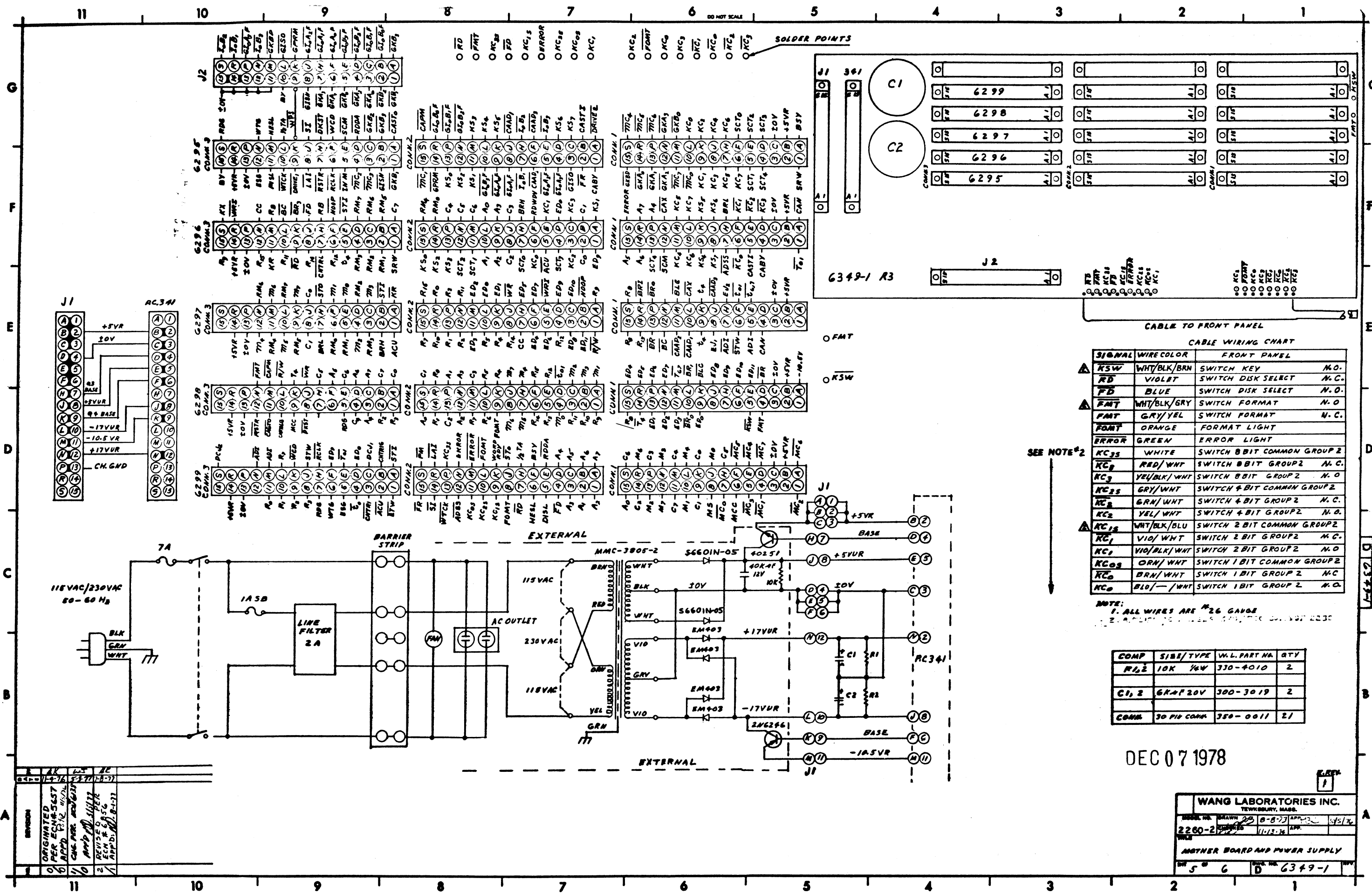
**WANG LABORATORIES INC.**  
TECHNOLOGY, MASS.

MODEL NO. 727  
DRAWN [Signature] [Date] APP. [Signature] [Date]  
CHECKED [Signature] [Date]

FILE SCHEMATIC, LOGIBLOC 6346  
TIMING & POWER SUPPLY REGULATOR

SHT. OF [ ] DATE [ ] REV. [ ]





CABLE TO FRONT PANEL

CABLE WIRING CHART

SIGNAL	WIRECOLOR	FRONT PANEL
KSW	WHT/BLK/BRN	SWITCH KEY M.O.
RD	VIOLET	SWITCH DISK SELECT M.C.
FD	BLUE	SWITCH DISK SELECT N.O.
FMT	WHT/BLK/GRY	SWITCH FORMAT N.O.
FMT	GRY/YEL	SWITCH FORMAT N.C.
FMT	ORN	FORMAT LIGHT
ERROR	GREEN	ERROR LIGHT
KC35	WHITE	SWITCH 8 BIT COMMON GROUP 2
KC2	RED/WHT	SWITCH 8 BIT GROUP 2 M.C.
KC3	YEL/BLK/WHT	SWITCH 8 BIT GROUP 2 N.O.
KC25	GRY/WHT	SWITCH 4 BIT COMMON GROUP 2
KC4	GRN/WHT	SWITCH 4 BIT GROUP 2 M.C.
KC2	YEL/WHT	SWITCH 4 BIT GROUP 2 N.O.
KC15	WHT/BLK/BLU	SWITCH 2 BIT COMMON GROUP 2
KC1	VIO/WHT	SWITCH 2 BIT GROUP 2 M.C.
KC1	VIO/BLK/WHT	SWITCH 2 BIT GROUP 2 N.O.
KC09	ORN/WHT	SWITCH 1 BIT COMMON GROUP 2
KC0	BRN/WHT	SWITCH 1 BIT GROUP 2 M.C.
KC0	BLU/-/WHT	SWITCH 1 BIT GROUP 2 N.O.

NOTE:  
1. ALL WIRES ARE #26 GAUGE  
2. ALL WIRE COLOR CODES ARE TO BE USED UNLESS OTHERWISE SPECIFIED

COMP	SIZE/TYPE	W.L. PART NO.	QTY
R1,2	10K 1/4W	330-4010	2
C1, 2	6K 1/20V	300-3019	2
CONN	30 PIN CONN	350-0011	21

DEC 07 1978

WANG LABORATORIES INC.  
TECHNICAL DEPARTMENT

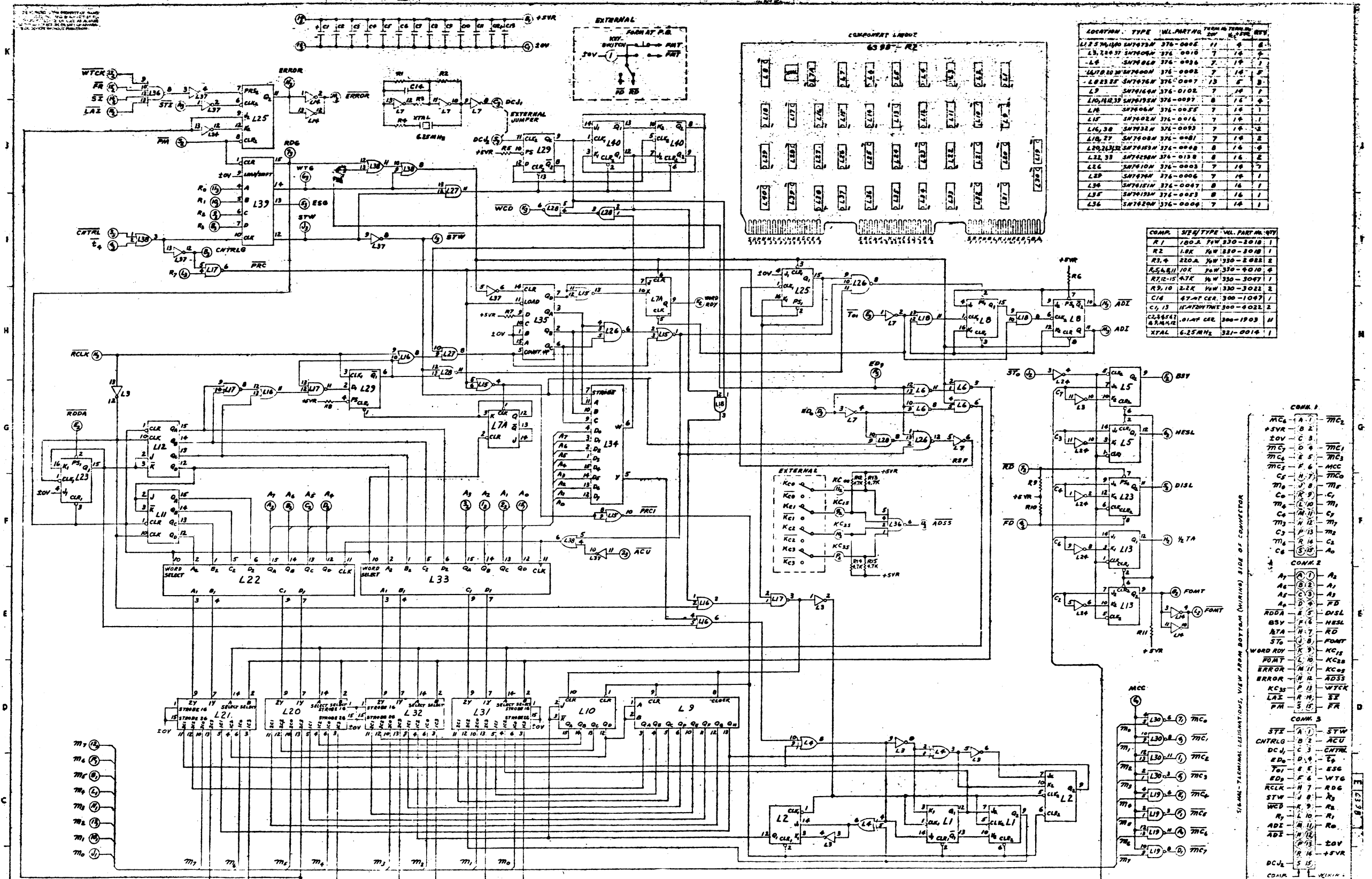
MODEL NO. 2260-2  
DRAWN BY: B-8-77  
DATE: 11-13-78

APPROVED BY: [Signature]  
DATE: 11-13-78

ANOTHER BOARD AND POWER SUPPLY

REV 5 OF 6  
PART NO. 6349-1

REV	DATE	DESCRIPTION
1	11-13-78	ORIGINATED PER ECN-5657
2	11-13-78	REVISED PER ECN # 6056
3	11-13-78	REVISED PER ECN # 6056
4	11-13-78	REVISED PER ECN # 6056
5	11-13-78	REVISED PER ECN # 6056



LOCATION	TYPE	VL. PART NO.	QUANTITY	REV.
L1, L2, L3, L4, L5, L6, L7, L8, L9, L10, L11, L12, L13, L14, L15, L16, L17, L18, L19, L20, L21, L22, L23, L24, L25, L26, L27, L28, L29, L30, L31, L32, L33, L34, L35, L36, L37, L38, L39, L40, L41, L42, L43, L44, L45, L46, L47, L48, L49, L50, L51, L52, L53, L54, L55, L56, L57, L58, L59, L60	...	...	...	...

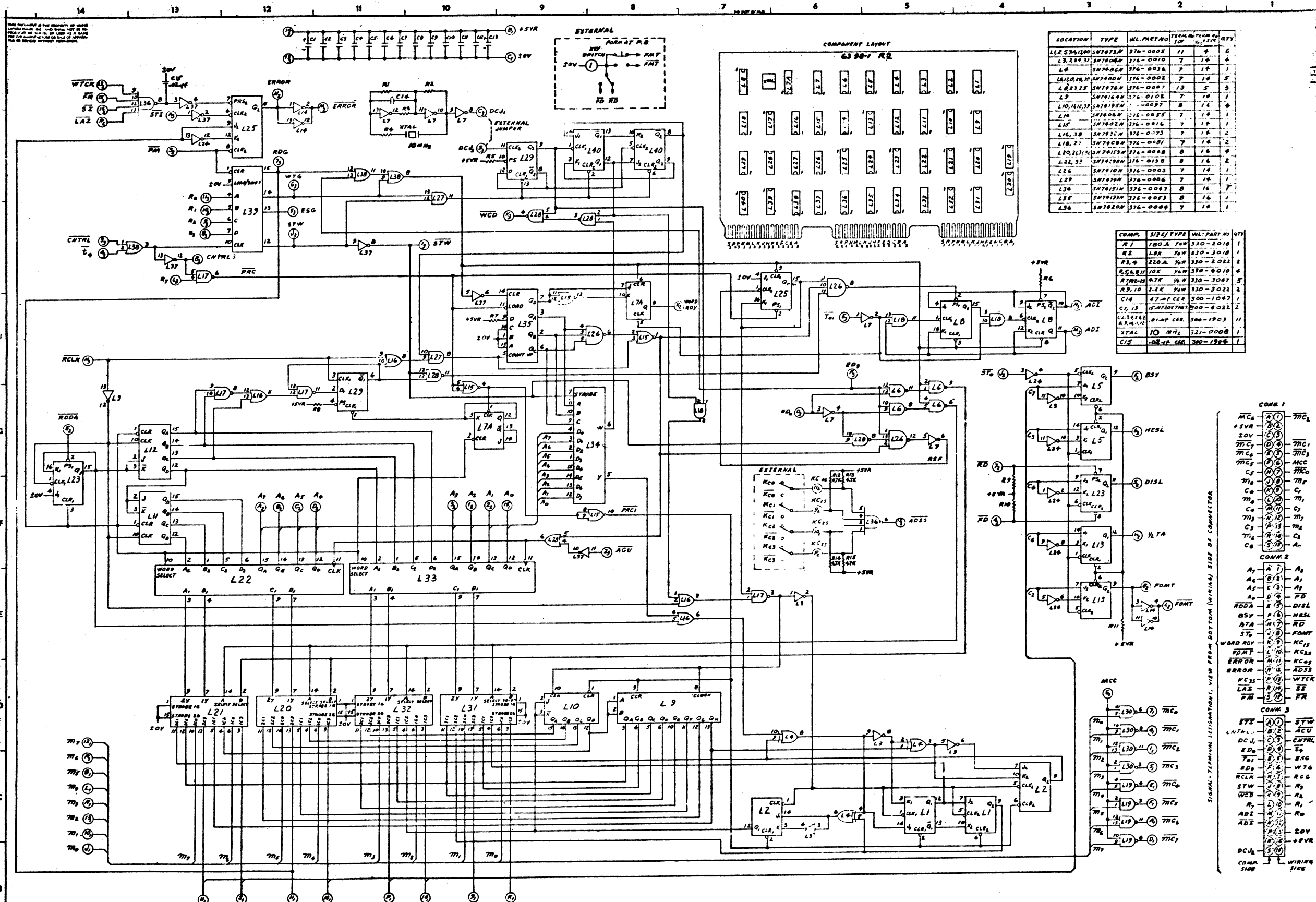
COMP.	REF. TYPE	VL. PART NO.	QTY
R1	100A	FW 330-2018	1
R2	1.0K	FW 330-2018	1
R3,4	220A	FW 330-2022	2
R5,6,11	10K	FW 330-2010	6
R7,12-15	47K	FW 330-2027	1
R9,10	2.2K	FW 330-2022	2
C1,3	47-pF CER.	300-1047	1
C2,4,5,11	100-pF TANT.	300-0022	2
C2,8,12,13	0.01-AT CER.	300-1903	1
C2,8,12,13	0.01-AT CER.	300-1903	1
XTAL	6.25MHZ	321-0014	1

CONN. 1		CONN. 2		CONN. 3	
MSV	A-1	MC2	A-1	STW	A-1
+5VR	B-2	MC1	A-2	ACU	B-2
+12VR	C-3	MC5	A-3	CNTRL	C-3
DATA	D-4	MC3	A-4	DC4	D-4
MC0	E-5	MC4	A-5	ED0	E-5
MC1	F-6	MC2	A-6	ED1	F-6
MC2	G-7	MC6	A-7	ED2	G-7
MC3	H-8	MC7	A-8	ED3	H-8
MC4	I-9	MC8	A-9	STW	I-9
MC5	J-10	MC9	A-10	WORD ROY	J-10
MC6	K-11	MC10	A-11	FOUNT	K-11
MC7	L-12	MC11	A-12	FOUNT	L-12
MC8	M-13	MC12	A-13	MC0	M-13
MC9	N-14	MC13	A-14	MC1	N-14
MC10	O-15	MC14	A-15	MC2	O-15
MC11	P-16	MC15	A-16	MC3	P-16
MC12	Q-17	MC16	A-17	MC4	Q-17
MC13	R-18	MC17	A-18	MC5	R-18
MC14	S-19	MC18	A-19	MC6	S-19
MC15	T-20	MC19	A-20	MC7	T-20

DEC 28 1978

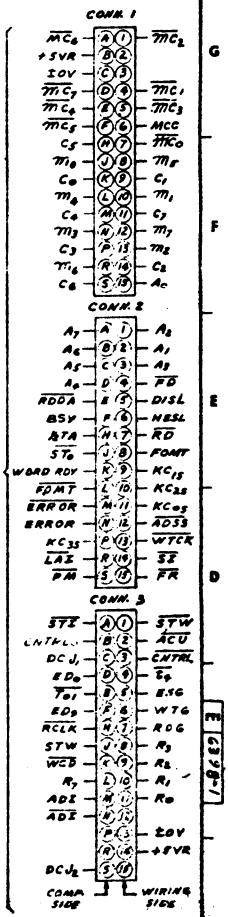
WANG PART NO.	ITEM	QTY	NAME	MATERIAL	DESCRIPTION
<b>WANG</b>					
LABORATORIES, INC.					
220 WEST 4TH STREET, NEW YORK, N.Y. 10011					
TEL: (212) 646-3200					
FAX: (212) 646-3200					
MATERIAL NO. 630/350/2130					
TITLE: SCHEMATIC FOR DISK CONTROL 6398					
DATE: 2/20/78 E 6398					
REV. 4					

REV.	DATE	DESCRIPTION
1	12/28/78	...
2	...	...
3	...	...
4	...	...



LOCATION	TYPE	WL PART NO	TERMINAL NO	QTY
L1.2, 5, 7, 10, 11, 12, 13, 14, 15, 16, 17, 18, 19, 20, 21, 22, 23, 24, 25, 26, 27, 28, 29, 30, 31, 32, 33, 34, 35, 36, 37, 38, 39, 40, 41, 42, 43, 44, 45, 46, 47, 48, 49, 50, 51, 52, 53, 54, 55, 56, 57, 58, 59, 60, 61, 62, 63, 64, 65, 66, 67, 68, 69, 70, 71, 72, 73, 74, 75, 76, 77, 78, 79, 80, 81, 82, 83, 84, 85, 86, 87, 88, 89, 90, 91, 92, 93, 94, 95, 96, 97, 98, 99, 100	SW7673M	376-0005	11	6
L3, 2, 24, 31	SW7673M	376-0010	7	16
L4	SW7673M	376-0036	7	14
L12, 21, 22, 23, 24, 25, 26, 27, 28, 29, 30, 31, 32, 33, 34, 35, 36, 37, 38, 39, 40, 41, 42, 43, 44, 45, 46, 47, 48, 49, 50, 51, 52, 53, 54, 55, 56, 57, 58, 59, 60, 61, 62, 63, 64, 65, 66, 67, 68, 69, 70, 71, 72, 73, 74, 75, 76, 77, 78, 79, 80, 81, 82, 83, 84, 85, 86, 87, 88, 89, 90, 91, 92, 93, 94, 95, 96, 97, 98, 99, 100	SW7673M	376-0002	7	14
L2, 21, 22, 23, 24, 25, 26, 27, 28, 29, 30, 31, 32, 33, 34, 35, 36, 37, 38, 39, 40, 41, 42, 43, 44, 45, 46, 47, 48, 49, 50, 51, 52, 53, 54, 55, 56, 57, 58, 59, 60, 61, 62, 63, 64, 65, 66, 67, 68, 69, 70, 71, 72, 73, 74, 75, 76, 77, 78, 79, 80, 81, 82, 83, 84, 85, 86, 87, 88, 89, 90, 91, 92, 93, 94, 95, 96, 97, 98, 99, 100	SW7673M	376-0007	13	5
L9	SW7673M	376-0102	7	14
L10, 11, 12, 13, 14, 15, 16, 17, 18, 19, 20, 21, 22, 23, 24, 25, 26, 27, 28, 29, 30, 31, 32, 33, 34, 35, 36, 37, 38, 39, 40, 41, 42, 43, 44, 45, 46, 47, 48, 49, 50, 51, 52, 53, 54, 55, 56, 57, 58, 59, 60, 61, 62, 63, 64, 65, 66, 67, 68, 69, 70, 71, 72, 73, 74, 75, 76, 77, 78, 79, 80, 81, 82, 83, 84, 85, 86, 87, 88, 89, 90, 91, 92, 93, 94, 95, 96, 97, 98, 99, 100	SW7673M	376-0002	8	16
L16, 38	SW7673M	376-0093	7	14
L18, 27	SW7673M	376-0001	7	14
L20, 21, 22, 23, 24, 25, 26, 27, 28, 29, 30, 31, 32, 33, 34, 35, 36, 37, 38, 39, 40, 41, 42, 43, 44, 45, 46, 47, 48, 49, 50, 51, 52, 53, 54, 55, 56, 57, 58, 59, 60, 61, 62, 63, 64, 65, 66, 67, 68, 69, 70, 71, 72, 73, 74, 75, 76, 77, 78, 79, 80, 81, 82, 83, 84, 85, 86, 87, 88, 89, 90, 91, 92, 93, 94, 95, 96, 97, 98, 99, 100	SW7673M	376-0008	8	16
L22, 33	SW7673M	376-0158	8	16
L26	SW7673M	376-0003	7	14
L29	SW7673M	376-0006	7	14
L34	SW7673M	376-0007	8	16
L36	SW7673M	376-0003	8	16
L36	SW7673M	376-0004	7	14

COMP.	SIZE	TYPE	WL PART NO	QTY
R1	180A	FW	330-2010	1
R2	180A	FW	330-2010	1
R3, 4	220A	FW	330-2022	2
R5, 6, 7, 8, 9, 10	10K	FW	330-0010	4
R11, 12, 13, 14, 15, 16, 17, 18, 19, 20, 21, 22, 23, 24, 25, 26, 27, 28, 29, 30, 31, 32, 33, 34, 35, 36, 37, 38, 39, 40, 41, 42, 43, 44, 45, 46, 47, 48, 49, 50, 51, 52, 53, 54, 55, 56, 57, 58, 59, 60, 61, 62, 63, 64, 65, 66, 67, 68, 69, 70, 71, 72, 73, 74, 75, 76, 77, 78, 79, 80, 81, 82, 83, 84, 85, 86, 87, 88, 89, 90, 91, 92, 93, 94, 95, 96, 97, 98, 99, 100	10K	FW	330-3047	5
R9, 10	2.2K	FW	330-3022	2
C18	47-MF	CER	300-1047	1
C1, 13	100-PF	MYLAR	300-0022	2
C2, 3, 4, 5, 6, 7, 8, 9, 10, 11, 12, 14, 15, 16, 17, 18, 19, 20, 21, 22, 23, 24, 25, 26, 27, 28, 29, 30, 31, 32, 33, 34, 35, 36, 37, 38, 39, 40, 41, 42, 43, 44, 45, 46, 47, 48, 49, 50, 51, 52, 53, 54, 55, 56, 57, 58, 59, 60, 61, 62, 63, 64, 65, 66, 67, 68, 69, 70, 71, 72, 73, 74, 75, 76, 77, 78, 79, 80, 81, 82, 83, 84, 85, 86, 87, 88, 89, 90, 91, 92, 93, 94, 95, 96, 97, 98, 99, 100	0.01-MF	CER	300-1903	11
XTAL	10 MHz		521-0008	1
C15	0.02-UF	CER	300-1904	1

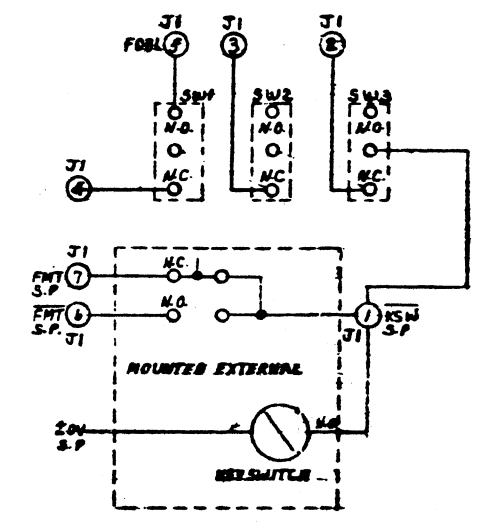
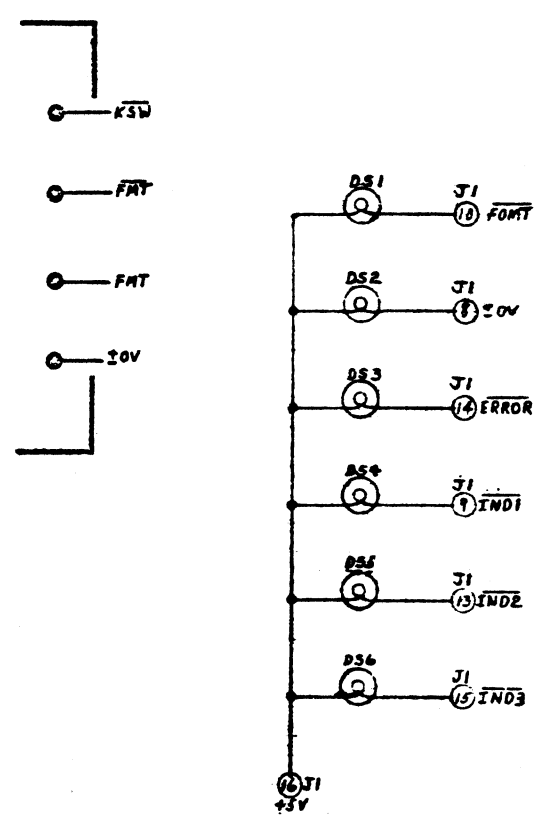
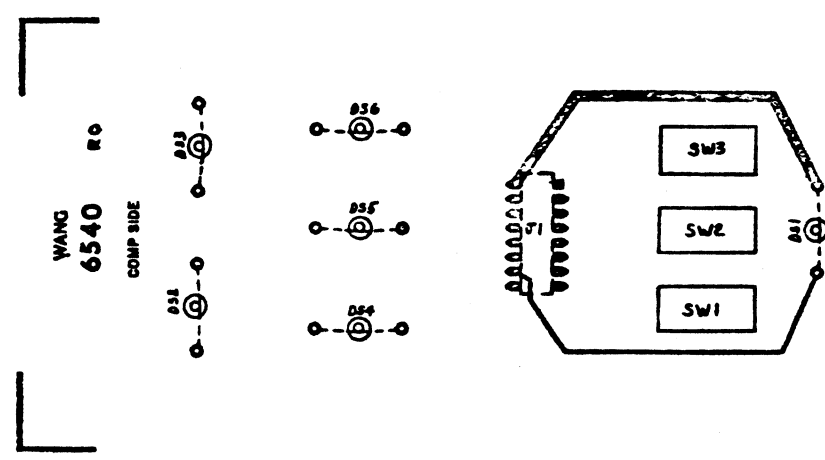


DEC 07 1978

REV	DATE	BY	CHKD	DESCRIPTION
1				
2				
3				
4				
5				
6				
7				
8				
9				
10				
11				
12				
13				
14				

WARRANTY	ITEM	QTY	NAME	MATERIAL	DESCRIPTION
<b>WANC</b> LABORATORIES INC.					
2260					
210-6390 E 6398-1					
6398-1 6					

DO NOT SCALE



WANG LABORATORIES, INC.		PL 6540-4	
CONTROL PANEL Assy.		FRONT PANEL CONTROL	
REV. NO.	DATE	REV. NO.	DATE
1	3 15 74		
REV. NO.	DATE	DESCRIPTION	BY
1		6540 PC BOARD	
3		SLDOPID 65-1 SWITCH	
6		CHD-820 CLEAR LAMP	
1		16 PIN IC SOCKET CANNON	
1		IC PAD 16 PIN THERM 44330	
K		D6540-1	SCHEMATIC
		2243	PL 6540-4

CHANGE IN PROCESS

PER 6714

DATE NOV 03 1978 DEC 07 1978

REV.	DATE	BY	DESCRIPTION
1	3-2-74	M.F.	REVISED PER APP'D
2		D.C.	REVISED PER APP'D

REV.	DATE	BY	DESCRIPTION
1	3/27/74	M.F.	DATE
2	4/25/74	D.C.	DATE

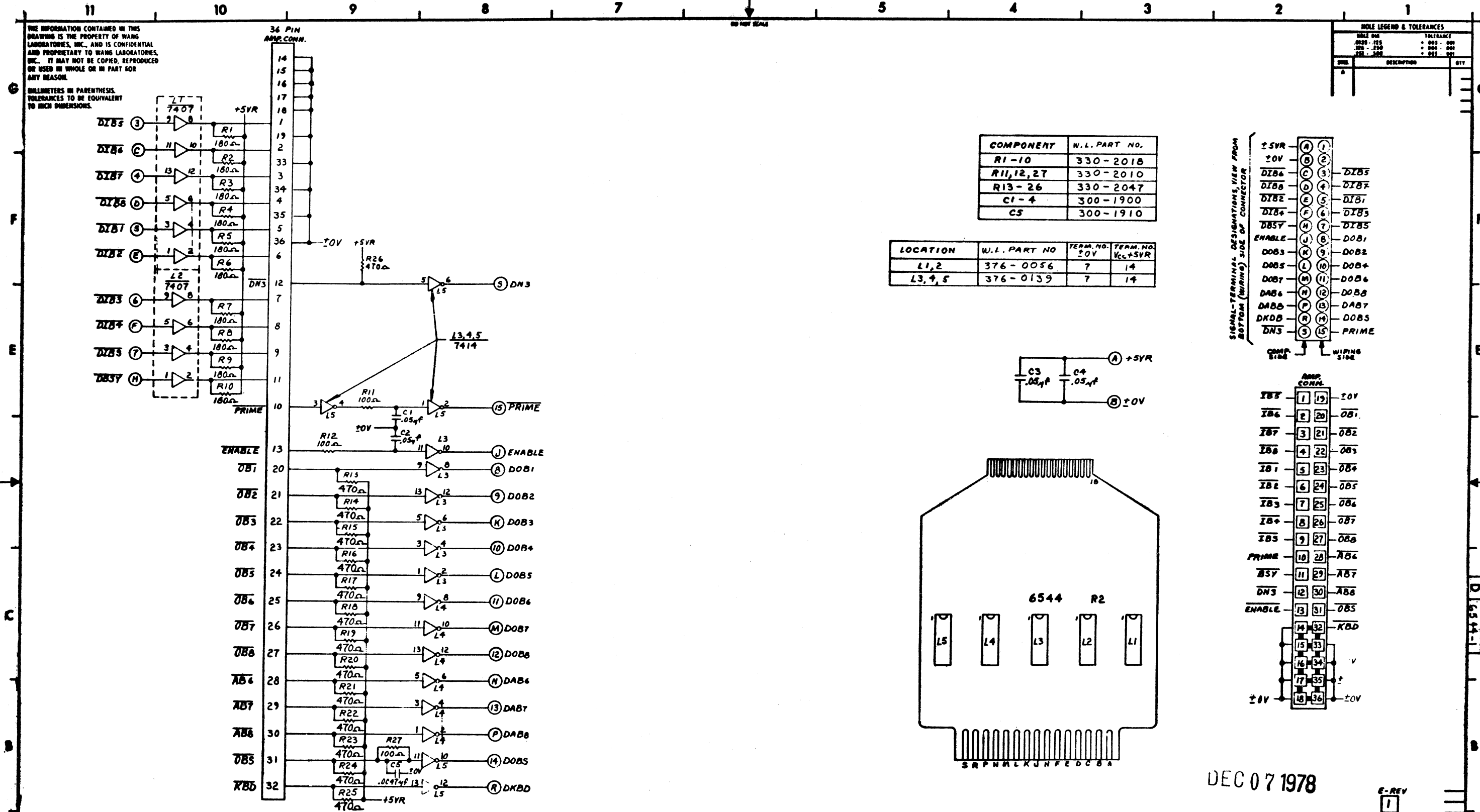
  

WANG LABORATORIES, INC.	TEWKSBURY, MASS. U. S. A.
DRG. No. 2243	W.O. No.
SCALE	
PAGE 1 OF 1	
SCHEMATIC LOGIBLOC #6540 FRONT PANEL BOARD	
PART NUMBER	REV. SIZE DRAWING NUMBER
	2 C 6540-1

THE INFORMATION CONTAINED IN THIS DRAWING IS THE PROPERTY OF WANG LABORATORIES, INC. AND IS CONFIDENTIAL AND PROPRIETARY TO WANG LABORATORIES, INC. IT MAY NOT BE COPIED, REPRODUCED OR USED IN WHOLE OR IN PART FOR ANY REASON.

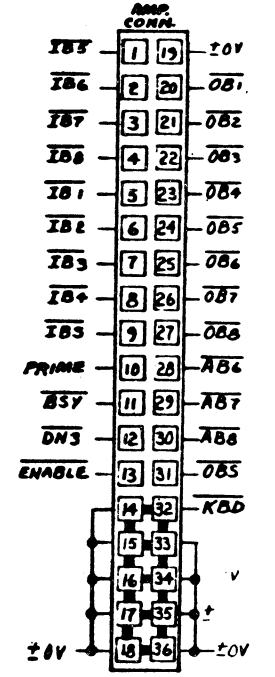
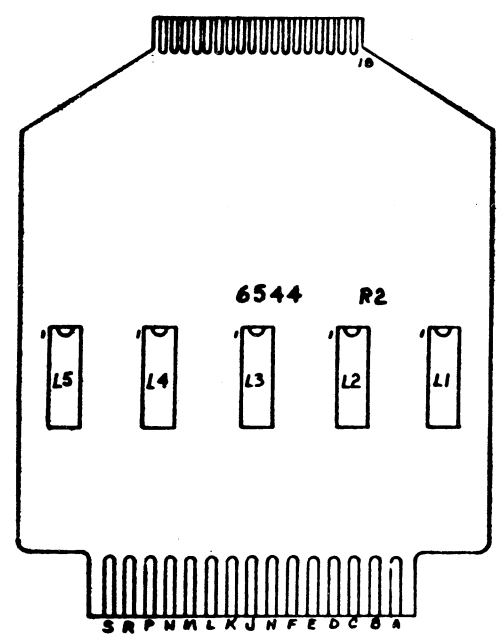
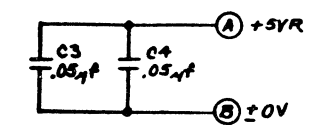
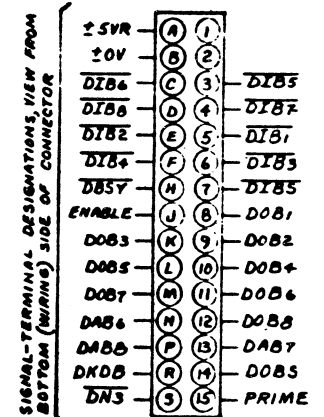
MILLIMETERS IN PARENTHESES. TOLERANCES TO BE EQUIVALENT TO HICH DIMENSIONS.

HOLE LEGEND & TOLERANCES		
SIZE	TOLERANCE	
.020 - .125	+ .002 - .000	
.130 - .250	+ .004 - .000	
.250 - .500	+ .007 - .000	
SIZE	DESCRIPTION	QTY
A		



COMPONENT	W.L. PART NO.
R1-10	330-2018
R11,12,27	330-2010
R13-26	330-2047
C1-4	300-1900
C5	300-1910

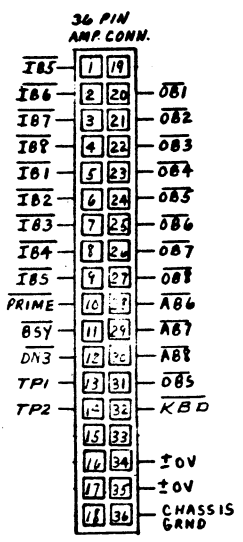
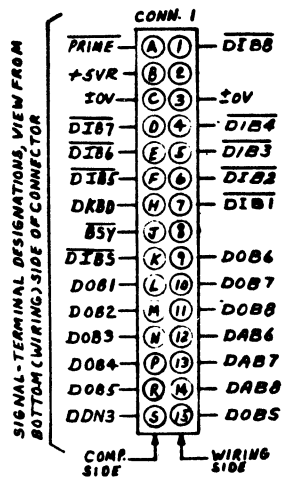
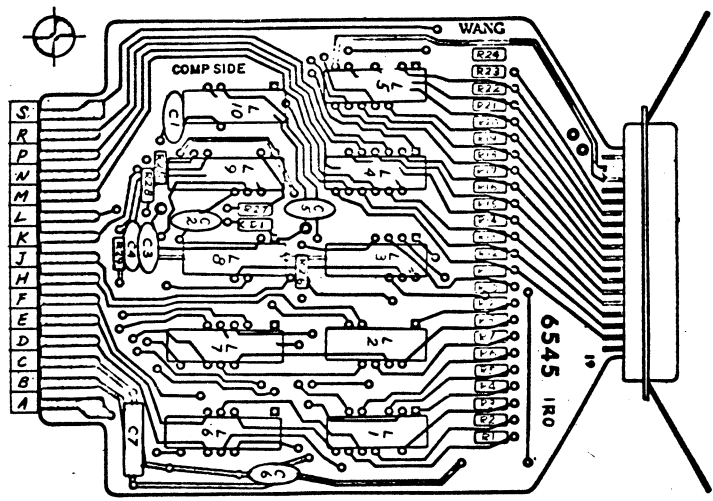
LOCATION	W.L. PART NO	TERM. NO. ±0V	TERM. NO. Vcc+5VR
L1,2	376-0056	7	14
L3,4,5	376-0139	7	14



DEC 07 1978

E-REV  
1

REVISED PER	QTY.	ITEM	WANG PART NO.	DRAWING NO.	DESCRIPTION	BY	DATE	APPROVED BY	DATE
0/ECN # 642						DWN	5-10-77	E ENGR	6-2-77
1/APP. D. 8-1-77						CHE	8-22-77	M ENGR	
2/REV. 10-1-77								MFG ENGR	
3/ECN # 685									
4/APP. D. 8-1-77									
MATERIAL			MODEL NO.	TITLE					
			2224	2200 DISK MULTIPLEXER					
FINISH			TOL. EX. AS NOTED		210-6544-1		D	6544-1	1
			SCALE 1/8" = 1"		SHEET 3 OF 7		DRAWING NUMBER		REV



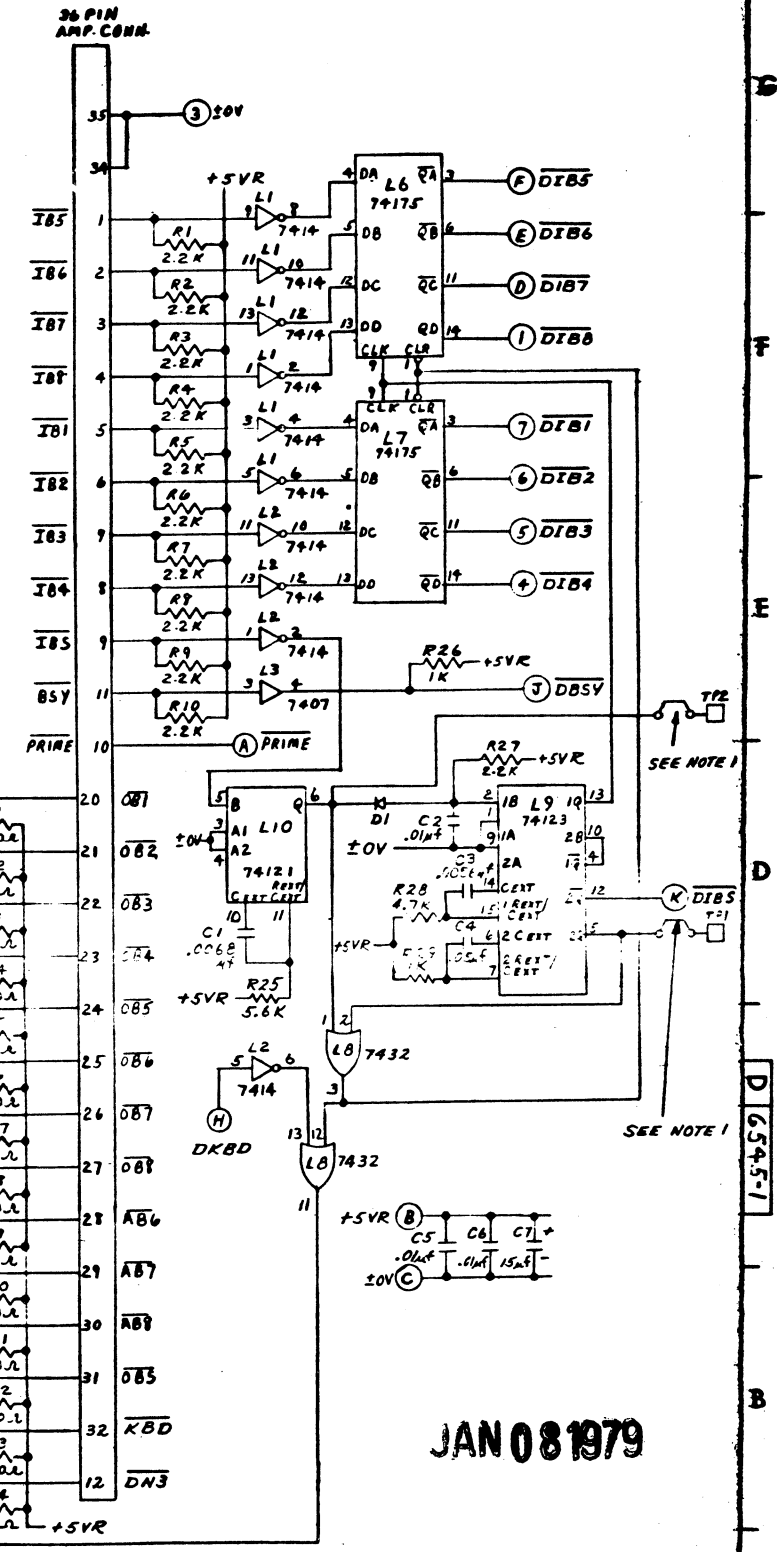
REV.	DATE	BY	DESCRIPTION	LOCATION
1			510-6545	6545 PC BOARD
1			576-0051	74121 IC
2			-0055	7406
1			-0056	7407
1			-0080	74123
1			-0093	7432
2			-0119	74175
2			376-0139	7414 IC
1			380-100148	30V SIL DIODE
1			350-1038	J1 57-40360 CONN NON-HI-BARRIER

ALL RESISTORS 1/4W 10% UNLESS SPECIFIED OTHERWISE

REV.	DATE	BY	DESCRIPTION	LOCATION
3			300-1903	0.1UF 25V CER CAP C2,5,6
1			300-4022	5UF 20V TAN CAP C7
1			300-1900	.05UF 12V CER CAP C4
1			330-2022 R	220Ω R11-24
11			-3022 R	2.2K R1-10,27
1			-3047	4.7K R28
1			330-3056	5.6K R25
2			330-3010	1K R26,29
1			300-1911	.0068UF CER. C1
1			300-1915	.0056UF CER. C3
X			D6545-1	SCHEMATIC

I.C. LOCATION	TERM FOR ±0V	TERM FOR VCC+SVR
L1,2	7	14
L3	7	14
L4,5	7	14
L6,7	8	16
L8	7	14
L9	8	16
L10	7	14

**ECN**  
 2/26/77 6/4/77  
 NO. PKG  
 PENDING E6545



NOTE: 1. JUMPERS ON TEST POINTS TP1 AND TP2 SHALL BE DISCONNECTED AFTER TESTING.

WANG LABORATORIES INC.  
 TEWKSBURY, MASS.

MODEL NO. 2224  
 DRAWN M.F. 4/1/74  
 APP'D L. 1/1/74

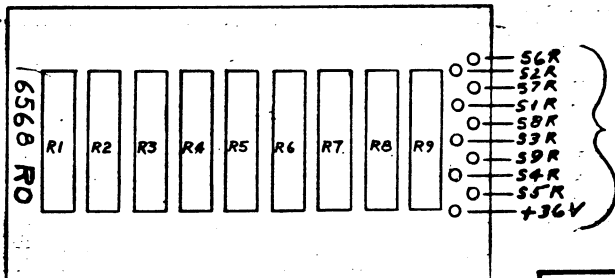
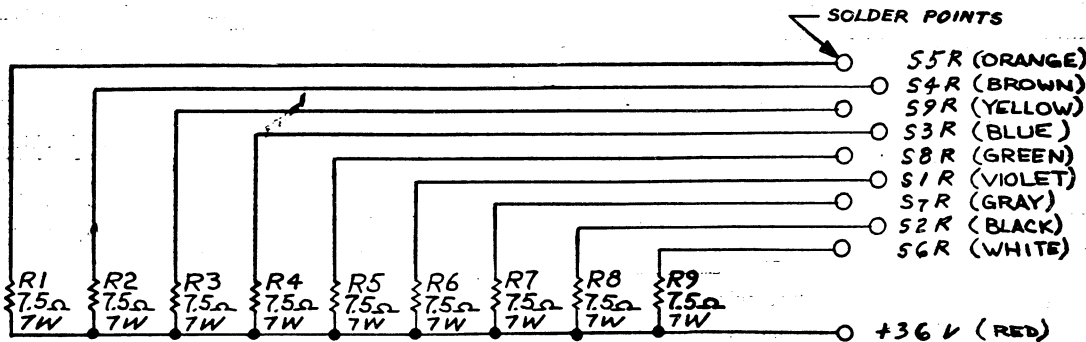
DATE 12-21-74  
 TITLE SCHEMATIC LOGIC LOGIC 6545 DISK MULTIPLIER

REV. 4 OF 5  
 DWG. NO. 6545-1

REV.	DATE	BY	DESCRIPTION
1			REVISED PER APP'D
2			REVISED PER APP'D
3			CHANGED PER APP'D



DO NOT SCALE



COMPONENT	W.L. PART NO.
R1 - R9	334-0025

CABLE 270-3052

FOR INTERCONNECTION  
SEE E6635-999

E-REV


SH. 1 of 1

COMPONENT LAYOUT

REV	E.K.	G.D.	PC	D.T.
00-4	3-21-75	5-14-75	8-14-75	7-20-75
REVISIONS	ORIGINATED PERMANENT APPROVED	REL. TO PROD DATE	REV. PER R.F.A. 1706 APPROVED	REV. PER R.F.A. 1706 APPROVED
A		5-15-75		
0				
1				
2				

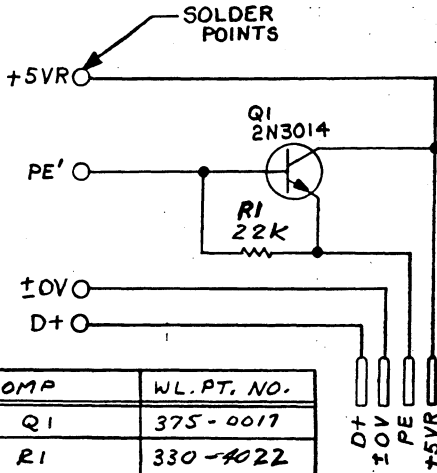
DEC 07 1978

210-6568

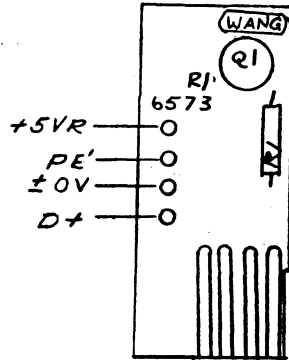
WANG LABORATORIES, INC. 			
TEWKSBURY, MASS. U. S. A.			
MODEL NO. 72	DRAWN BY EK	DATE 4-8-75	APPROVED R. Chen
	CHECKED G.W.	DATE 4/10/75	APPROVED 8-20-75
TITLE SCHEMATIC LOGIBLOC RESISTOR BRACKET			
W.O. NO. 401	SCALE 1/1	DWG. NO. A	REV 2



DO NOT SCALE



COMP	WL. PT. NO.
Q1	375-0017
R1	330-4022



NO.	REVISION	DATE	BY
0	RELEASED TO PRODUCTION PER PER #1394	1/14/75	EBA
1	RESISTOR R1 WAS 100K 1/4W PER FCN #4822 5/21/75	5-21-75	EBA
2	REVISED PER ECA #54016 5/27/75	3-30-76	R3
3	APPD: R. Chen 4/2/76		

COMPONENT LAYOUT

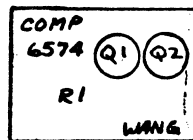
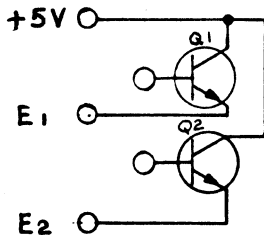
DEC 07 1978

E REV

3

WANG LABORATORIES, INC.				TAWKSBURY, MASS. U. S. A.	
MODEL NO. 72	DRAWN 4-13-75	APPD Robert Chen 5/2/75			
CHECKED 2/17	10-18-74	APPD			
TITLE FINGER BOARD #2					
WG. NO. SHT 4 of 5	SCALE	DWG. NO. A 6573	REV 2		

DO NOT SCALE



COMPONENT LAYOUT

COMPONENT	W.L. PART NO.
Q1, Q2	375-2104

E. REV.



WLI # 210-6574

Sheet 4 of 5

WANG LABORATORIES, INC. 

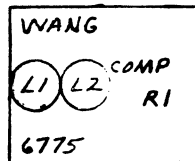
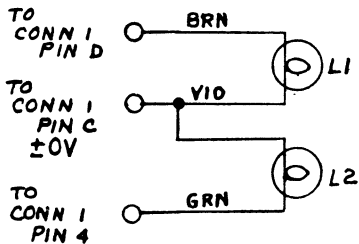
TEWKSBURY, MASS. U. S. A.

MODEL NO.	DRAWN	CHK	9-10-74	APPD	
2221-W	CHECKED		11-9-74	APPD	

TITLE  
PHOTOTRANSISTOR  
MATRIX PRINTER

W.O. NO.	SCALE	DWG. NO.	REV
		A 6574	0

NO.	REVISION	BY	DATE	W	W	W
0/1	REVISED PER D.C.R. # 251	118	11/8/74			
1/0	APP'D M.S.					
1/0	REV. PER RFR # 1769					



COMPONENT LAYOUT

COMPONENT	W.L. PART NO.
L1, L2	380-0104


E-REV

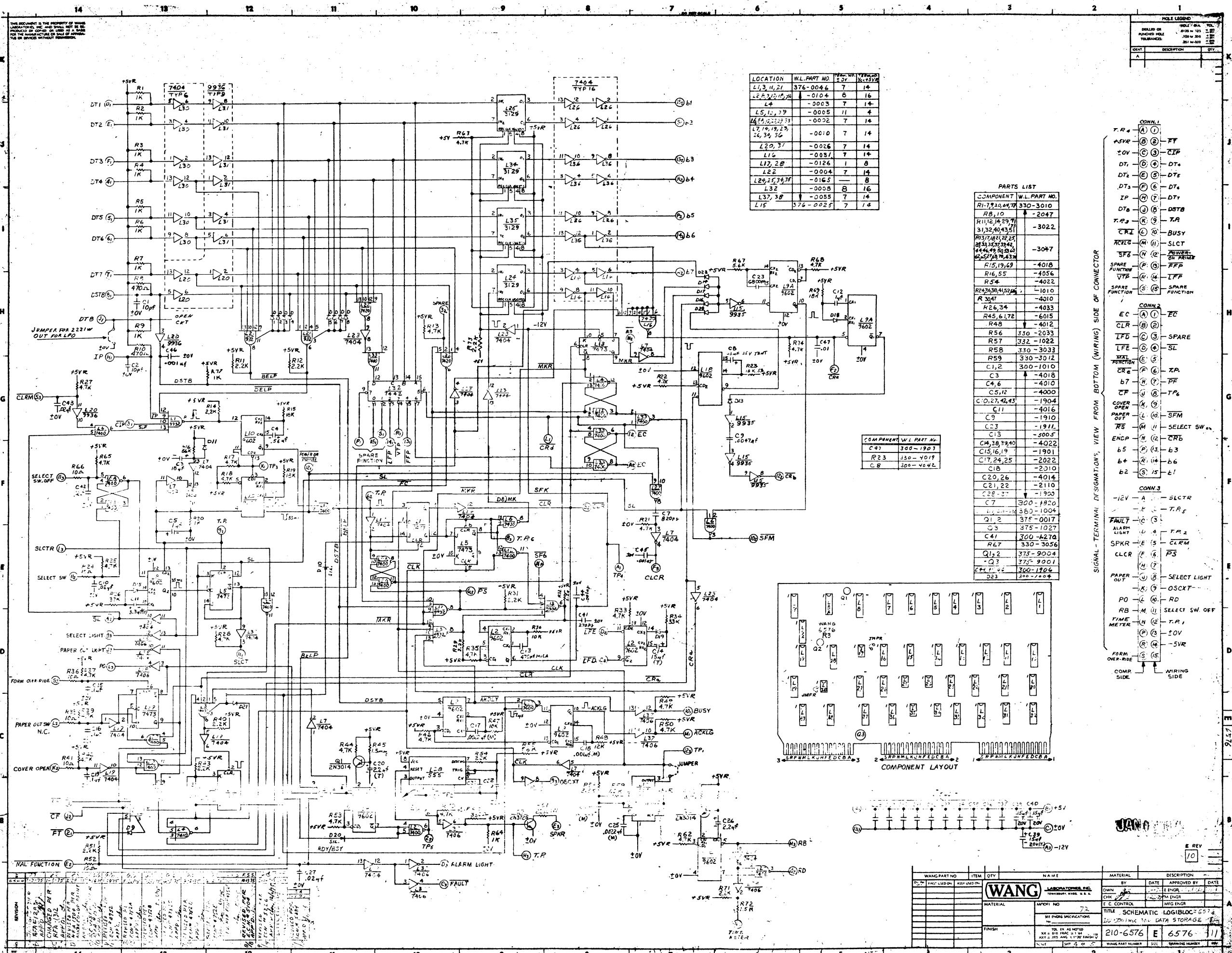


WLI # 210-6575

Sheet 4 of 5

NO.	REVISION	BY	CHK	G. D.
B	REVISED PER D.C.R. # 252 APPD M.G.	W.K.	B.S.	
90	RFL TO PROD APPD HG 8-4-75		745	3/26/75

WANG LABORATORIES, INC. 			
TEWKSBUURY, MASS. U. S. A.			
MODEL NO.	DRAWN	CHK	APPD
2221-W		9-11-74	
	CHECKED		APPD
		11-9-74	
TITLE			
LED (LAMP) MTG. MATRIX PRINTER			
W.O. NO.	SCALE	DWG. NO.	REV
	—	A 6575	3

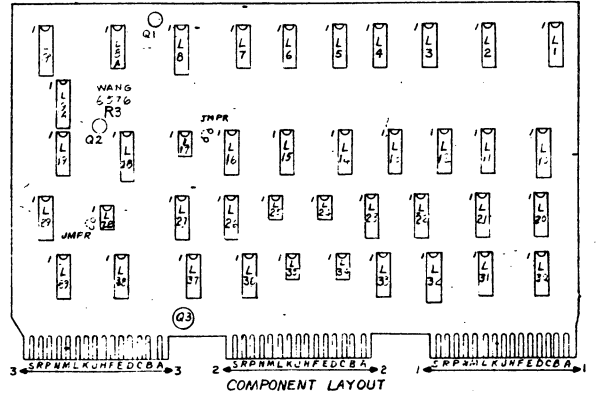


LOCATION	W.L. PART NO.	QTY	TERMINAL
L1,3,11,21	376-0046	7	14
L2,3,12,19,24	-0104	8	16
L4	-0003	7	14
L5,12,39	-0005	11	4
L6,14,15,22,33	-0002	7	14
L7,14,19,23,24,34,56	-0010	7	14
L20,37	-0026	7	14
L16	-0031	7	14
L17,28	-0126	1	8
L22	-0004	7	14
L26,27,34,35	-0165	8	16
L32	-0008	8	16
L37,38	-0055	7	14
L15	376-0025	7	14

COMPONENT	W.L. PART NO.
R1-7,8,10,17	330-3010
R8,10	-2047
R11,12,14,29,31,31,32,40,43,51	-3022
R33,37,42,42,25,28,33,33,37,44,44,46,49,50,50,60,62,52,57,57,63,37	-3047
R15,19,69	-4018
R16,55	-4056
R54	-4022
R24,38,41,52,64	-1010
R30,41	-4010
R24,34	-4033
R45,61,72	-6015
R48	-4012
R56	330-2033
R57	332-1022
R58	330-3033
R59	330-3012
C1,2	300-1010
C3	-4018
C4,6	-4010
C5,12	-4000
C10,27,42,43	-1904
C11	-4016
C9	-1910
C23	-1911
C13	-5005
C14,38,39,40	-4022
C15,16,19	-1901
C17,24,25	-2022
C18	-2010
C20,26	-4014
C21,22	-2110
C28,37	-1900
C7	300-1820
C1,2,3,4,5,6,7,8,9,10,11,12,13,14,15,16,17,18,19,20,21,22,23,24,25,26,27,28,29,30,31,32,33,34,35,36,37,38,39,40,41,42,43,44,45,46,47,48,49,50,51,52,53,54,55,56,57,58,59,60,61,62,63,64,65,66,67,68,69,70,71,72,73,74,75,76,77,78,79,80,81,82,83,84,85,86,87,88,89,90,91,92,93,94,95,96,97,98,99,100	380-1004
Q1,2	375-0017
Q3	375-1027
C41	300-4270
R67	330-3056
Q1,2	375-9004
Q3	375-9001
C41,42,43	300-1926
D23	300-1004

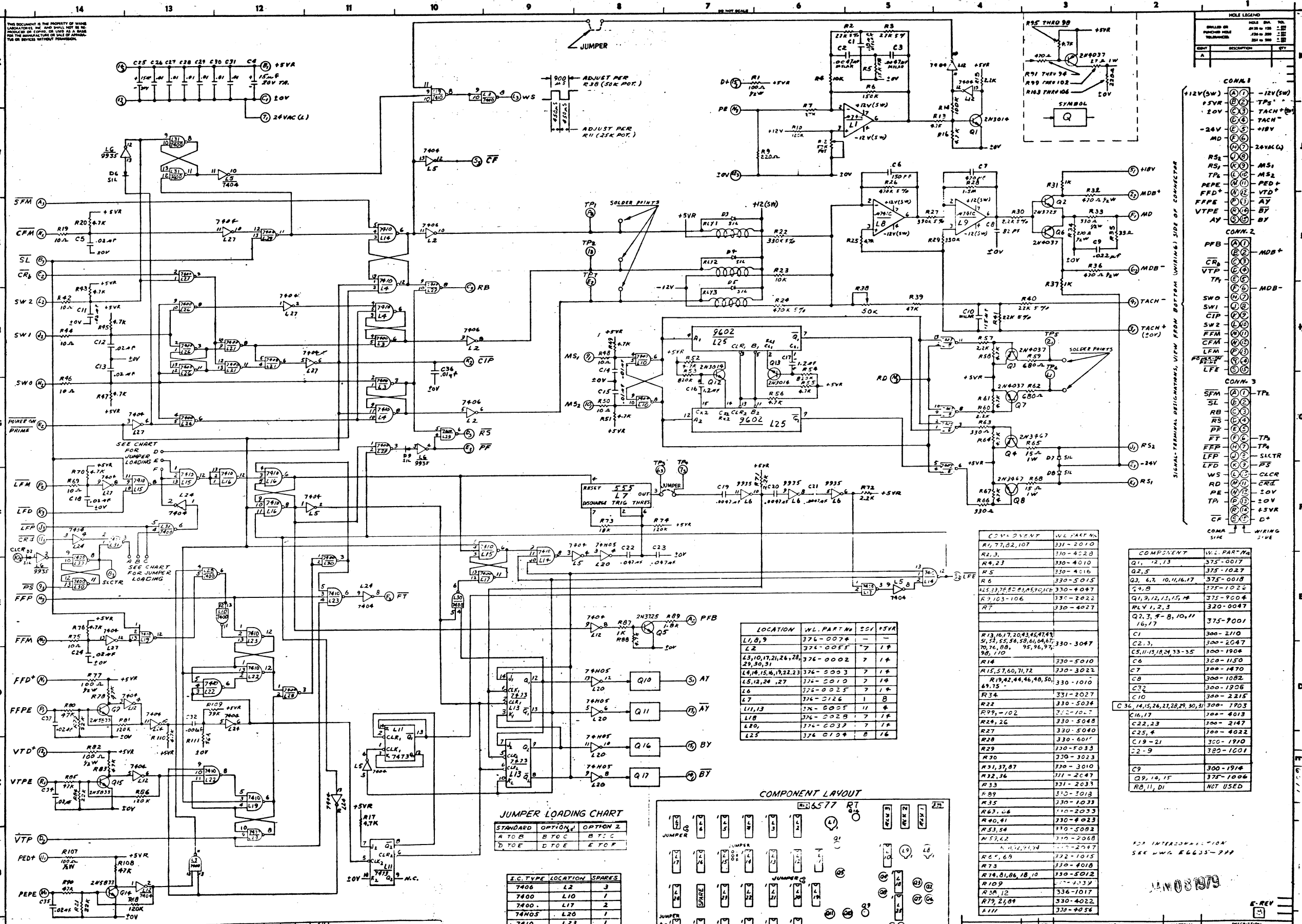
COMPONENT	W.L. PART NO.
C47	300-1903
R23	330-4019
C8	300-4042

- SIGNAL - TERMINAL DESIGNATIONS, VIEW FROM BOTTOM (WIRING SIDE OF CONNECTOR)
- CONN.1
    - (A) 1 - FT
    - (B) 2 - +5VR
    - (C) 3 - +10V
    - (D) 4 - DT+
    - (E) 5 - DT-
    - (F) 6 - DT+
    - (G) 7 - DT-
    - (H) 8 - IP
    - (J) 9 - DSTB
    - (K) 10 - T.P.
    - (L) 11 - BUSY
    - (M) 12 - SLCT
    - (N) 13 - SPKR
    - (O) 14 - VTP
    - (P) 15 - SPARE FUNCTION
  - CONN.2
    - (A) 1 - EC
    - (B) 2 - CLR
    - (C) 3 - SPARE
    - (D) 4 - LFE
    - (E) 5 - SL
    - (F) 6 - X.P.
    - (G) 7 - PF
    - (H) 8 - T.P.
    - (I) 9 - SPARE FUNCTION
    - (J) 10 - SFM
    - (K) 11 - SELECT SW.
    - (L) 12 - CRB
    - (M) 13 - B3
    - (N) 14 - B6
    - (O) 15 - B1
  - CONN.3
    - (A) 1 - SLCTR
    - (B) 2 - T.P.
    - (C) 3 - FAULT
    - (D) 4 - T.P.
    - (E) 5 - CLR
    - (F) 6 - PS
    - (G) 7 - SELECT LIGHT
    - (H) 8 - OSCKT
    - (I) 9 - RD
    - (J) 10 - SELECT SW. OFF
    - (K) 11 - T.P.
    - (L) 12 - +10V
    - (M) 13 - -5VR
    - (N) 14 - WIRING SIDE



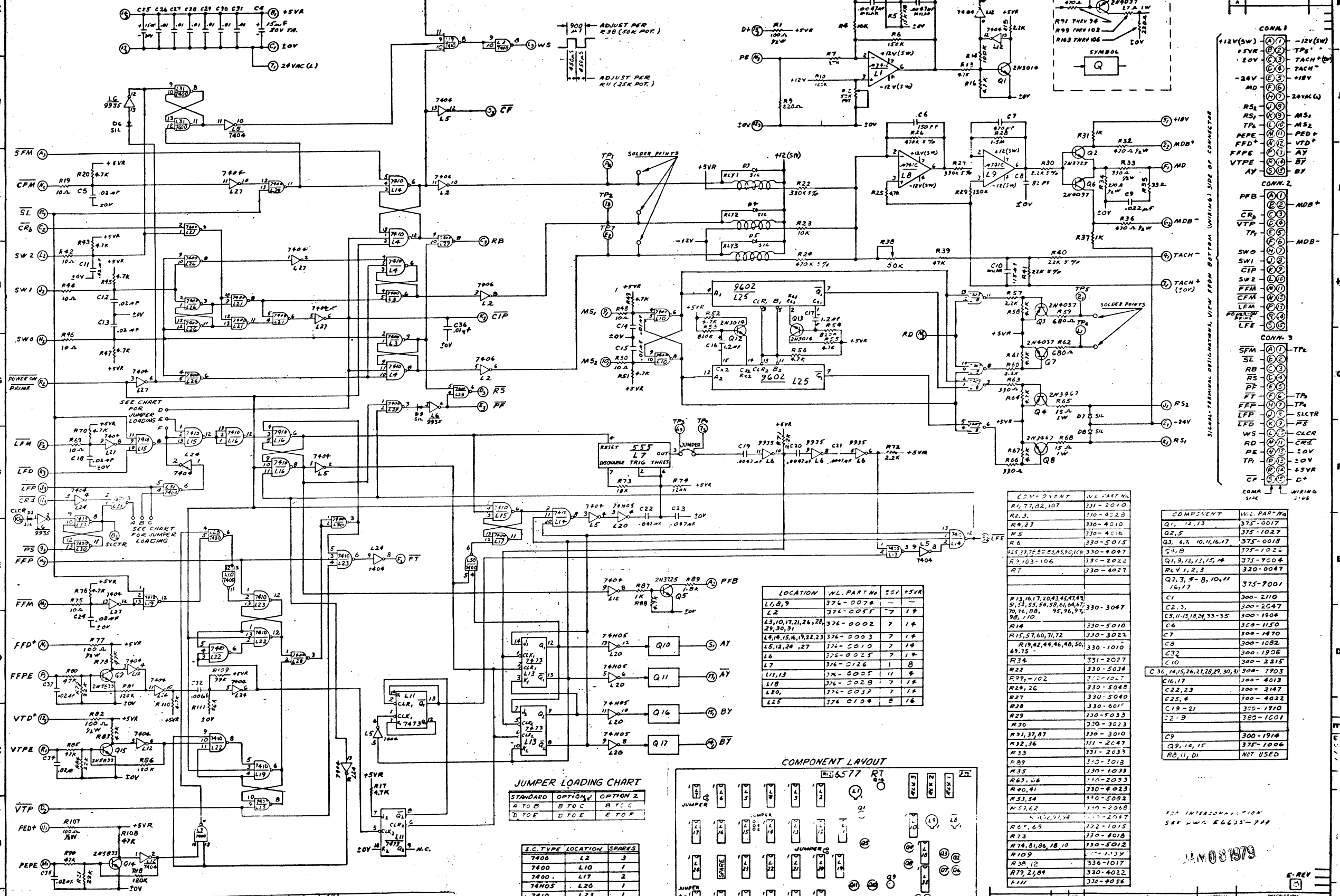
WANG PART NO.	ITEM	QTY	NAME	MATERIAL	DESCRIPTION
210-6576 <td>E <td>1 <td>SCHEMATIC LOGIBLOC</td> <td></td> <td></td> </td></td>	E <td>1 <td>SCHEMATIC LOGIBLOC</td> <td></td> <td></td> </td>	1 <td>SCHEMATIC LOGIBLOC</td> <td></td> <td></td>	SCHEMATIC LOGIBLOC		

REVISION	DATE	BY	DESCRIPTION
1			
2			
3			
4			
5			
6			
7			
8			
9			
10			
11			
12			
13			
14			



14 13 12 11 10 9 8 7 6 5 4 3 2 1

THIS DOCUMENT IS THE PROPERTY OF WANG LABORATORIES, INC. AND SHALL NOT BE REPRODUCED OR TRANSMITTED IN ANY FORM OR BY ANY MEANS, ELECTRONIC OR MECHANICAL, INCLUDING PHOTOCOPYING, RECORDING, OR BY ANY INFORMATION STORAGE AND RETRIEVAL SYSTEM, WITHOUT THE WRITTEN PERMISSION OF WANG LABORATORIES, INC.



REV	DATE	DESCRIPTION
1	11/17/73	REVISED PER WANG SPECIFICATION
2	12/11/73	REVISED PER WANG SPECIFICATION
3	1/15/74	REVISED PER WANG SPECIFICATION
4	2/12/74	REVISED PER WANG SPECIFICATION
5	3/11/74	REVISED PER WANG SPECIFICATION
6	4/8/74	REVISED PER WANG SPECIFICATION
7	5/6/74	REVISED PER WANG SPECIFICATION
8	6/3/74	REVISED PER WANG SPECIFICATION
9	7/1/74	REVISED PER WANG SPECIFICATION
10	7/29/74	REVISED PER WANG SPECIFICATION
11	8/26/74	REVISED PER WANG SPECIFICATION
12	9/23/74	REVISED PER WANG SPECIFICATION
13	10/21/74	REVISED PER WANG SPECIFICATION
14	11/18/74	REVISED PER WANG SPECIFICATION
15	12/15/74	REVISED PER WANG SPECIFICATION
16	1/12/75	REVISED PER WANG SPECIFICATION
17	2/9/75	REVISED PER WANG SPECIFICATION
18	3/7/75	REVISED PER WANG SPECIFICATION
19	4/4/75	REVISED PER WANG SPECIFICATION
20	5/2/75	REVISED PER WANG SPECIFICATION
21	5/27/75	REVISED PER WANG SPECIFICATION
22	6/20/75	REVISED PER WANG SPECIFICATION
23	7/13/75	REVISED PER WANG SPECIFICATION
24	8/6/75	REVISED PER WANG SPECIFICATION
25	8/27/75	REVISED PER WANG SPECIFICATION
26	9/19/75	REVISED PER WANG SPECIFICATION
27	10/13/75	REVISED PER WANG SPECIFICATION
28	11/5/75	REVISED PER WANG SPECIFICATION
29	11/26/75	REVISED PER WANG SPECIFICATION
30	12/18/75	REVISED PER WANG SPECIFICATION
31	1/9/76	REVISED PER WANG SPECIFICATION
32	1/29/76	REVISED PER WANG SPECIFICATION
33	2/19/76	REVISED PER WANG SPECIFICATION
34	3/11/76	REVISED PER WANG SPECIFICATION
35	4/2/76	REVISED PER WANG SPECIFICATION
36	4/23/76	REVISED PER WANG SPECIFICATION
37	5/15/76	REVISED PER WANG SPECIFICATION
38	6/6/76	REVISED PER WANG SPECIFICATION
39	6/27/76	REVISED PER WANG SPECIFICATION
40	7/19/76	REVISED PER WANG SPECIFICATION
41	8/10/76	REVISED PER WANG SPECIFICATION
42	8/31/76	REVISED PER WANG SPECIFICATION
43	9/22/76	REVISED PER WANG SPECIFICATION
44	10/14/76	REVISED PER WANG SPECIFICATION
45	11/5/76	REVISED PER WANG SPECIFICATION
46	11/26/76	REVISED PER WANG SPECIFICATION
47	12/18/76	REVISED PER WANG SPECIFICATION
48	1/9/77	REVISED PER WANG SPECIFICATION
49	1/29/77	REVISED PER WANG SPECIFICATION
50	2/19/77	REVISED PER WANG SPECIFICATION
51	3/11/77	REVISED PER WANG SPECIFICATION
52	4/2/77	REVISED PER WANG SPECIFICATION
53	4/23/77	REVISED PER WANG SPECIFICATION
54	5/15/77	REVISED PER WANG SPECIFICATION
55	6/6/77	REVISED PER WANG SPECIFICATION
56	6/27/77	REVISED PER WANG SPECIFICATION
57	7/19/77	REVISED PER WANG SPECIFICATION
58	8/10/77	REVISED PER WANG SPECIFICATION
59	8/31/77	REVISED PER WANG SPECIFICATION
60	9/22/77	REVISED PER WANG SPECIFICATION
61	10/14/77	REVISED PER WANG SPECIFICATION
62	11/5/77	REVISED PER WANG SPECIFICATION
63	11/26/77	REVISED PER WANG SPECIFICATION
64	12/18/77	REVISED PER WANG SPECIFICATION
65	1/9/78	REVISED PER WANG SPECIFICATION
66	1/29/78	REVISED PER WANG SPECIFICATION
67	2/19/78	REVISED PER WANG SPECIFICATION
68	3/11/78	REVISED PER WANG SPECIFICATION
69	4/2/78	REVISED PER WANG SPECIFICATION
70	4/23/78	REVISED PER WANG SPECIFICATION
71	5/15/78	REVISED PER WANG SPECIFICATION
72	6/6/78	REVISED PER WANG SPECIFICATION
73	6/27/78	REVISED PER WANG SPECIFICATION
74	7/19/78	REVISED PER WANG SPECIFICATION
75	8/10/78	REVISED PER WANG SPECIFICATION
76	8/31/78	REVISED PER WANG SPECIFICATION
77	9/22/78	REVISED PER WANG SPECIFICATION
78	10/14/78	REVISED PER WANG SPECIFICATION
79	11/5/78	REVISED PER WANG SPECIFICATION
80	11/26/78	REVISED PER WANG SPECIFICATION
81	12/18/78	REVISED PER WANG SPECIFICATION
82	1/9/79	REVISED PER WANG SPECIFICATION
83	1/29/79	REVISED PER WANG SPECIFICATION
84	2/19/79	REVISED PER WANG SPECIFICATION
85	3/11/79	REVISED PER WANG SPECIFICATION
86	4/2/79	REVISED PER WANG SPECIFICATION
87	4/23/79	REVISED PER WANG SPECIFICATION
88	5/15/79	REVISED PER WANG SPECIFICATION
89	6/6/79	REVISED PER WANG SPECIFICATION
90	6/27/79	REVISED PER WANG SPECIFICATION
91	7/19/79	REVISED PER WANG SPECIFICATION
92	8/10/79	REVISED PER WANG SPECIFICATION
93	8/31/79	REVISED PER WANG SPECIFICATION
94	9/22/79	REVISED PER WANG SPECIFICATION
95	10/14/79	REVISED PER WANG SPECIFICATION
96	11/5/79	REVISED PER WANG SPECIFICATION
97	11/26/79	REVISED PER WANG SPECIFICATION
98	12/18/79	REVISED PER WANG SPECIFICATION
99	1/9/80	REVISED PER WANG SPECIFICATION
100	1/29/80	REVISED PER WANG SPECIFICATION

**JUMPER LOADING CHART**

STANDARD	OPTION 1	OPTION 2
A TO B	B TO C	B TO C
D TO E	D TO E	E TO F

**IC TYPE LOCATION SPARES**

7406	L2	3
7400	L10	1
7400	L17	2
74N05	L20	1
7410	L23	1
7400	L28	1

**LOCATION WL. PART No. C1 +5VR**

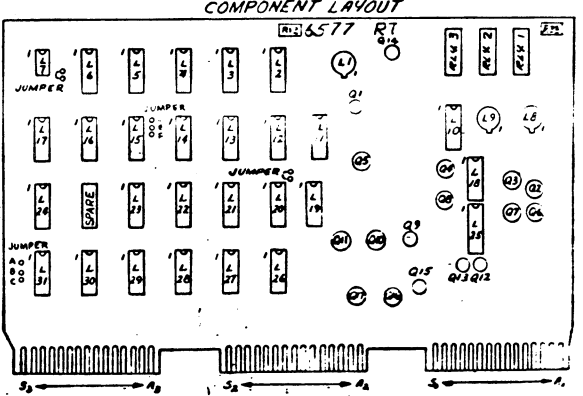
L1, 8, 9	376-0074	-
L2	376-0055	7 1#
L3, 10, 17, 21, 24, 28, 29, 30, 31	376-0002	7 1#
L4, 14, 15, 16, 19, 22, 23	376-2003	7 1#
L5, 12, 24, 27	376-2010	7 1#
L6	376-0025	7 1#
L7	376-2126	1 8
L11, 13	376-2005	11 8
L18	376-2028	7 1#
L20	376-2037	7 1#
L25	376-0104	8 16

**COMPONENT WL. PART No.**

R1, 7, 8, 10, 17	331-2010
R2, 3	330-4220
R4, 23	330-4010
R5	330-4116
R6	330-5015
R15, 33, 35, 37, 38, 39, 40, 41, 42, 43, 44, 45, 46, 47, 48, 49, 50, 51, 52, 53, 54, 55, 56, 57, 58, 59, 60, 61, 62, 63, 64, 65, 66, 67, 68, 69, 70, 71, 72, 73, 74, 75, 76, 77, 78, 79, 80, 81, 82, 83, 84, 85, 86, 87, 88, 89, 90, 91, 92, 93, 94, 95, 96, 97, 98, 99, 100	330-4097
R2, 103-106	330-2022
RT	330-4027

**COMPONENT WL. PART No.**

Q1, 12, 13	375-0017
Q2, 5	375-1027
Q3, 6, 7, 10, 11, 16, 17	375-0018
Q4, 8	375-1022
Q1, 9, 12, 13, 15, 16, 17	375-9004
RLV 1, 2, 3	320-0047
Q2, 3, 4, 8, 10, 11, 16, 17	375-7001
C1	300-2110
C2, 3	300-2047
C5, 11, 13, 14, 33-35	300-1904
C6	300-1150
C7	300-1470
C8	300-1082
C32	300-1906
C10	300-2215
C36, 14, 15, 26, 27, 28, 29, 30, 31	300-1903
C16, 17	300-4013
C22, 23	300-2147
C25, 4	300-4022
C18-21	300-1910
C2-9	300-1001
C9	300-1914
C9, 16, 15	375-1006
R8, 11, D1	NOT USED



**COMPONENT WL. PART No.**

R13, 16, 17, 20, 43, 44, 47, 48, 51, 52, 53, 54, 55, 56, 57, 58, 59, 60, 61, 62, 63, 64, 65, 66, 67, 68, 69, 70, 71, 72, 73, 74, 75, 76, 77, 78, 79, 80, 81, 82, 83, 84, 85, 86, 87, 88, 89, 90, 91, 92, 93, 94, 95, 96, 97, 98, 99, 100	330-5010
R15, 57, 60, 71, 72	330-3022
R19, 42, 44, 46, 48, 50, 69, 75	330-1010
R34	331-2027
R22	330-5034
R99, 102	330-1027
R24, 26	330-5048
R27	330-5040
R28	330-6017
R29	330-5033
R30	330-3023
R31, 37, 87	330-3010
R32, 36	331-2047
R33	331-2033
R39	330-3013
R35	330-1033
R63, 66	330-2033
R40, 41	330-4023
R53, 54	330-5082
R52, 62	330-2068
R41, 42, 43, 44	330-2047
R67, 69	332-1015
R73	330-4018
R14, 81, 86, 18, 10	330-5012
R109	330-1039
R3A, 12	336-1017
R79, 21, 89	330-4022
R111	330-4054

FOR INTERCONNECTION SEE WANG 86635-999

11/08/79

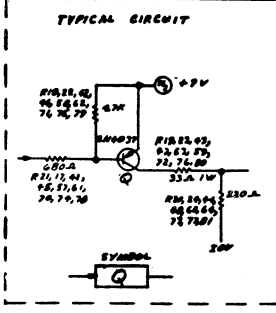
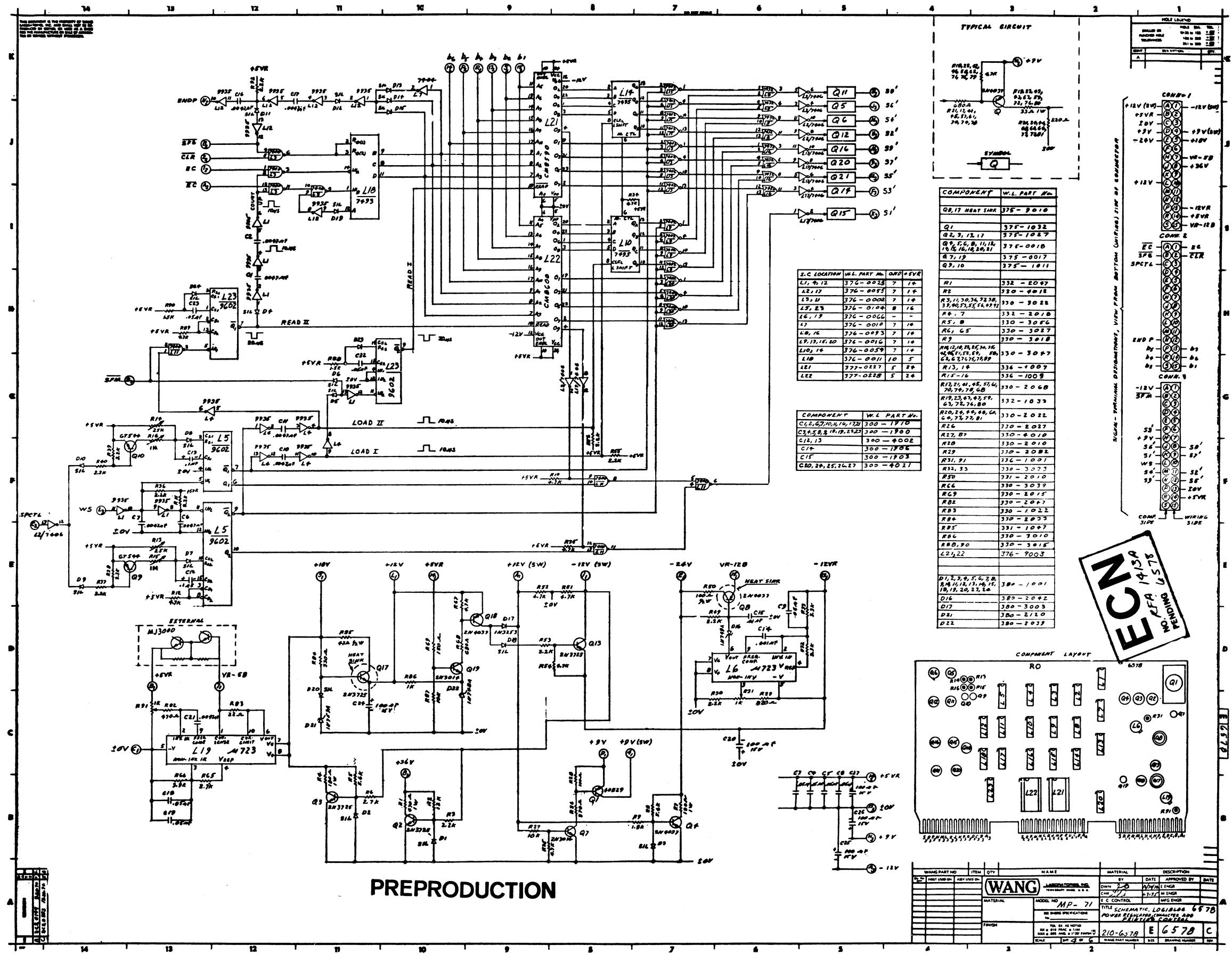
E-REV

**WANG LABORATORIES, INC.**

WANG PART NO.	ITEM	QTY	NAME	MATERIAL	DESCRIPTION
210-6577	E	13	6577		

**FORMAT AND PRINTING CONTROL**

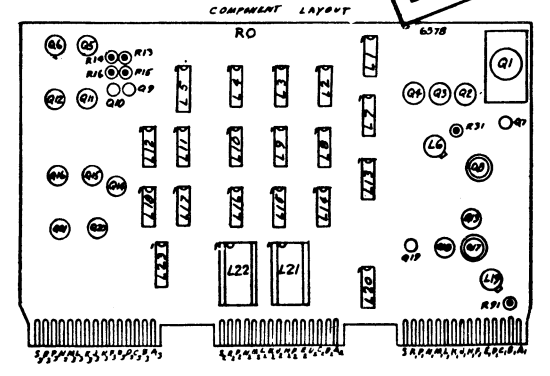
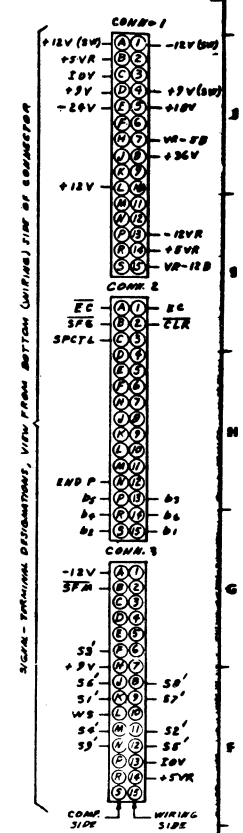
DATE	APPROVED BY	DATE
11/17/79	WANG	



COMPONENT	W.L. PART No.
Q1, 17 HEAT SINK	375-9010
Q1	375-1032
Q2, 3, 12, 17	375-1027
Q4, 5, 6, 8, 11, 14, 15, 16, 18, 20, 21	375-0010
Q7, 12	375-0017
Q7, 10	375-1011
R1	332-2007
R2	330-0012
R3, 11, 30, 36, 32, 38, 39, 40, 51, 54, 55, 56, 57, 58	330-3022
R4, 7	332-2010
R5, 8	330-3016
R6, 65	330-3027
R7	330-3018
R8, 12, 14, 25, 26, 28, 29, 41, 42, 43, 44, 45, 46, 47, 48, 49, 50, 52, 53, 54, 56, 57, 58, 59, 60, 61, 62, 63, 64, 65, 66, 67, 68, 69, 70, 71, 72, 73, 74, 75, 76, 77, 78, 79, 80, 81, 82, 83, 84, 85, 86, 87, 88, 89, 90, 91, 92, 93, 94, 95, 96, 97, 98, 99, 100	330-3007
L10, 14	376-0059
L10	376-0011
L1	377-0227
L2	377-0228
L2, 12, 13, 14, 15, 16, 17, 18, 19, 20, 21, 22, 23, 24, 25, 26, 27, 28, 29, 30, 31, 32, 33, 34, 35, 36, 37, 38, 39, 40, 41, 42, 43, 44, 45, 46, 47, 48, 49, 50, 51, 52, 53, 54, 55, 56, 57, 58, 59, 60, 61, 62, 63, 64, 65, 66, 67, 68, 69, 70, 71, 72, 73, 74, 75, 76, 77, 78, 79, 80, 81, 82, 83, 84, 85, 86, 87, 88, 89, 90, 91, 92, 93, 94, 95, 96, 97, 98, 99, 100	300-1910
C1, 2, 3, 4, 5, 6, 7, 8, 9, 10, 11, 12, 13, 14, 15, 16, 17, 18, 19, 20, 21, 22, 23, 24, 25, 26, 27, 28, 29, 30, 31, 32, 33, 34, 35, 36, 37, 38, 39, 40, 41, 42, 43, 44, 45, 46, 47, 48, 49, 50, 51, 52, 53, 54, 55, 56, 57, 58, 59, 60, 61, 62, 63, 64, 65, 66, 67, 68, 69, 70, 71, 72, 73, 74, 75, 76, 77, 78, 79, 80, 81, 82, 83, 84, 85, 86, 87, 88, 89, 90, 91, 92, 93, 94, 95, 96, 97, 98, 99, 100	300-1900
C12, 13	300-0002
C14	300-1906
C15	300-1903
C20, 21, 22, 23	300-0021
D1, 2, 3, 4, 5, 6, 7, 8, 9, 10, 11, 12, 13, 14, 15, 16, 17, 18, 19, 20, 21, 22, 23, 24, 25, 26, 27, 28, 29, 30, 31, 32, 33, 34, 35, 36, 37, 38, 39, 40, 41, 42, 43, 44, 45, 46, 47, 48, 49, 50, 51, 52, 53, 54, 55, 56, 57, 58, 59, 60, 61, 62, 63, 64, 65, 66, 67, 68, 69, 70, 71, 72, 73, 74, 75, 76, 77, 78, 79, 80, 81, 82, 83, 84, 85, 86, 87, 88, 89, 90, 91, 92, 93, 94, 95, 96, 97, 98, 99, 100	380-1001
D16	380-2002
D17	380-3003
D21	380-2100
D22	380-2039

S.C. LOCATION	W.L. PART No.	QRP + SVR
L1, 9, 12	376-0028	7 10
L2, 12	376-0053	7 10
L3, 14	376-0008	7 10
L5, 23	376-0104	8 16
L6, 19	376-0066	-
L7	376-0019	7 10
L8, 16	376-0093	7 10
L9, 13, 16, 20	376-0016	7 10
L10, 14	376-0059	7 10
L10	376-0011	10 5
L21	377-0227	5 20
L22	377-0228	5 20

COMPONENT	W.L. PART No.
C12, 13, 14, 15, 16, 17, 18, 19, 20, 21, 22, 23, 24, 25, 26, 27, 28, 29, 30, 31, 32, 33, 34, 35, 36, 37, 38, 39, 40, 41, 42, 43, 44, 45, 46, 47, 48, 49, 50, 51, 52, 53, 54, 55, 56, 57, 58, 59, 60, 61, 62, 63, 64, 65, 66, 67, 68, 69, 70, 71, 72, 73, 74, 75, 76, 77, 78, 79, 80, 81, 82, 83, 84, 85, 86, 87, 88, 89, 90, 91, 92, 93, 94, 95, 96, 97, 98, 99, 100	300-1910
C3, 4, 5, 6, 7, 8, 9, 10, 11, 12, 13, 14, 15, 16, 17, 18, 19, 20, 21, 22, 23, 24, 25, 26, 27, 28, 29, 30, 31, 32, 33, 34, 35, 36, 37, 38, 39, 40, 41, 42, 43, 44, 45, 46, 47, 48, 49, 50, 51, 52, 53, 54, 55, 56, 57, 58, 59, 60, 61, 62, 63, 64, 65, 66, 67, 68, 69, 70, 71, 72, 73, 74, 75, 76, 77, 78, 79, 80, 81, 82, 83, 84, 85, 86, 87, 88, 89, 90, 91, 92, 93, 94, 95, 96, 97, 98, 99, 100	300-1900
C12, 13	300-0002
C14	300-1906
C15	300-1903
C20, 21, 22, 23	300-0021



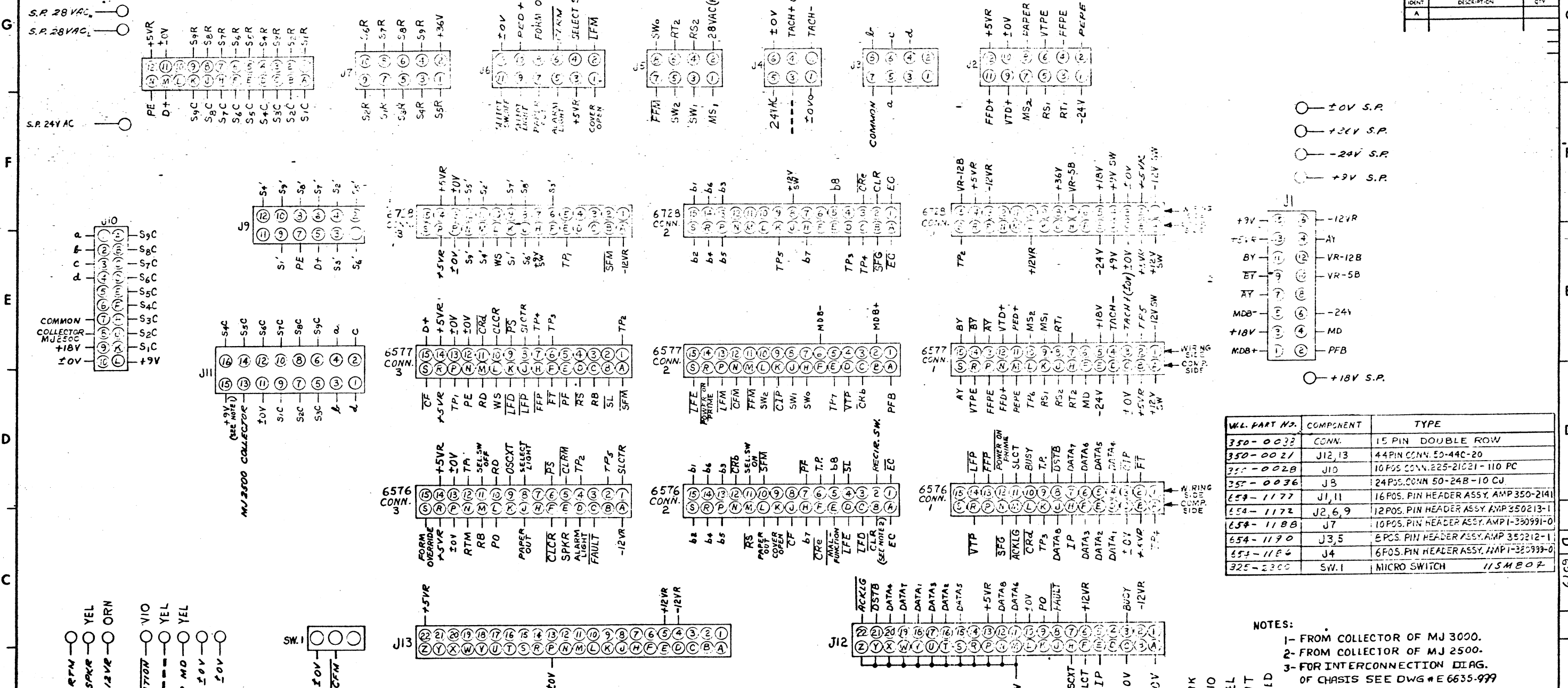
ECN 1413A  
 WFA 6578  
 PENDING

PREPRODUCTION

WANG PART NO.	ITEM	QTY	NAME	MATERIAL	DATE	DESCRIPTION
MP-71						
<b>WANG</b> LABORATORIES, INC.						
MODEL NO. MP-71						
TITLE SCHEMATIC LOGIC BOARD 6578						
210-6578 E 6578						

THIS DOCUMENT IS THE PROPERTY OF WANG LABORATORIES, INC. AND SHALL NOT BE REPRODUCED OR COPIED OR USED AS A BASIS FOR THE MANUFACTURE OR SALE OF APPARATUS OR DEVICES WITHOUT PERMISSION.

HOLE LEGEND		
DRILLED OR PUNCHED HOLE TOLERANCES	HOLE DIA	TOL
	0.135 to 1.25	±0.005
	1.26 to 2.50	±0.010
	2.51 to 5.00	±0.015



W.L. PART NO.	COMPONENT	TYPE
350-0033	CONN.	15 PIN DOUBLE ROW
350-0021	J12,13	44PIN CONN. 50-44C-20
350-0028	J10	10 POS. CONN. 225-21021-110 PC
350-0036	J8	24 POS. CONN. 50-24B-10 CU
659-1177	J1,11	16 POS. PIN HEADER ASSY. AMP 350-2141
659-1172	J2,6,9	12 POS. PIN HEADER ASSY. AMP 350213-1
659-1188	J7	10 POS. PIN HEADER ASSY. AMP 1-350991-0
659-1190	J3,5	6 POS. PIN HEADER ASSY. AMP 350212-1
659-1186	J4	6 POS. PIN HEADER ASSY. AMP 1-350993-0
325-2300	SW.1	MICRO SWITCH 115MB02

NOTES:  
 1- FROM COLLECTOR OF MJ 3000.  
 2- FROM COLLECTOR OF MJ 2500.  
 3- FOR INTERCONNECTION DIAG. OF CHASSIS SEE DWG # E 6635-999

CHANGE IN PROCESS  
 PER ECN 9605  
 DATE OCT 26 1978

REVISION	DATE	BY	DESCRIPTION
0	3-13-75	JK	REVISED PER REA-153916G7A MARKED-UP RUN LIST APP'D. [Signature]
1	6-11-75	JK	REVISED PER [Signature]
2	6-11-75	JK	REVISED PER [Signature]
3	6-11-75	JK	REVISED PER [Signature]
4	6-11-75	JK	REVISED PER [Signature]
5	6-11-75	JK	REVISED PER [Signature]
6	6-11-75	JK	REVISED PER [Signature]
7	6-11-75	JK	REVISED PER [Signature]
8	6-11-75	JK	REVISED PER [Signature]
9	6-11-75	JK	REVISED PER [Signature]
10	6-11-75	JK	REVISED PER [Signature]
11	6-11-75	JK	REVISED PER [Signature]

WANG PART NO.	ITEM	QTY	NAME	MATERIAL	DESCRIPTION
210-6579	D	1	MOTHER BOARD		

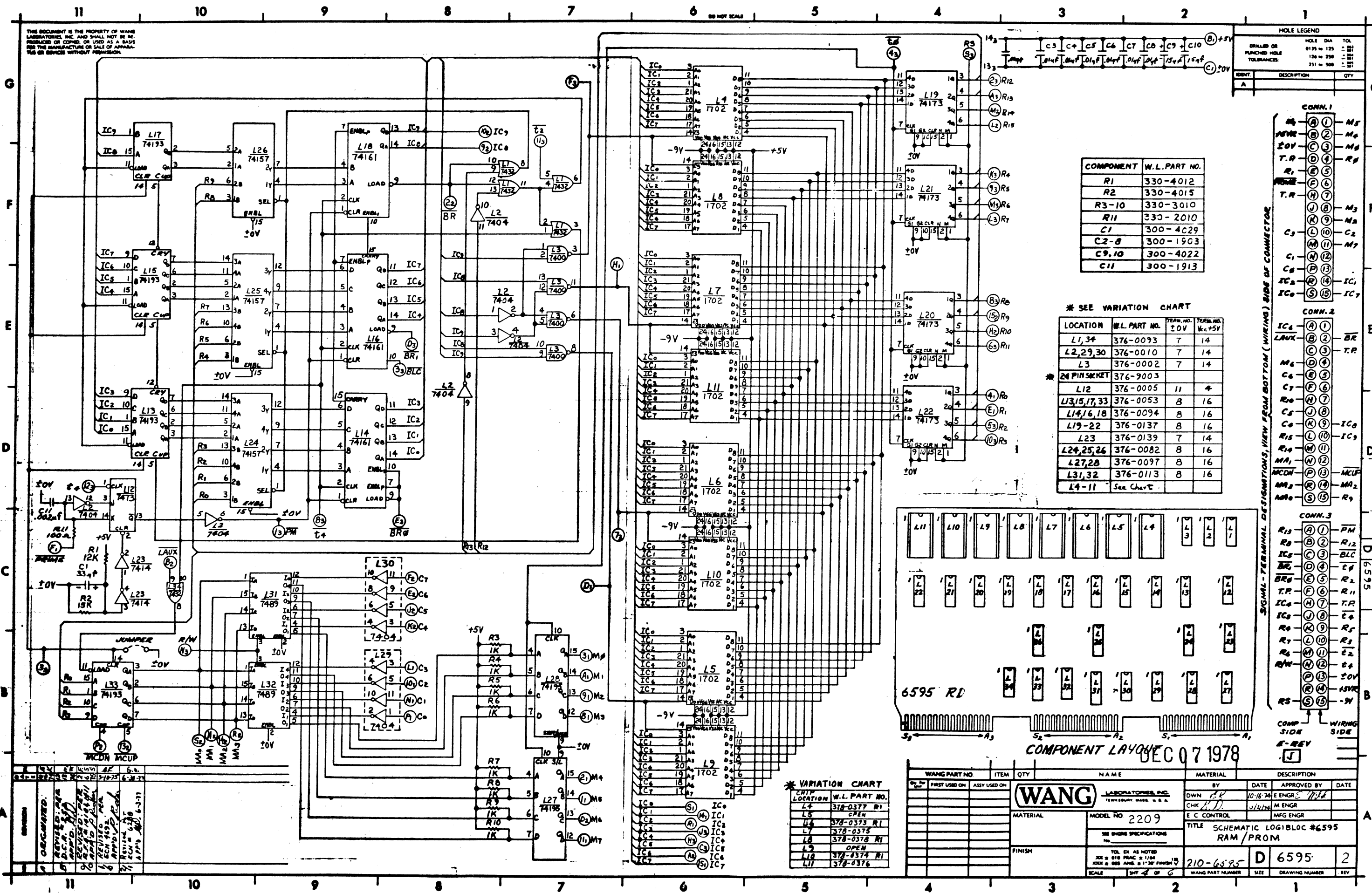


BY	DATE	APPROVED BY	DATE
OWN	2-4-78	E. ENGR. [Signature]	7/1/78
CHK		MENGR	
E.C. CONTROL		MFG ENGR	

WANG PART NUMBER	SIZE	DRAWING NUMBER	REV
210-6579	D	6579	1

THIS DOCUMENT IS THE PROPERTY OF WANG LABORATORIES, INC. AND SHALL NOT BE REPRODUCED OR COPIED, OR USED AS A BASIS FOR THE MANUFACTURE OR SALE OF APPARATUS OR SERVICES WITHOUT PERMISSION.

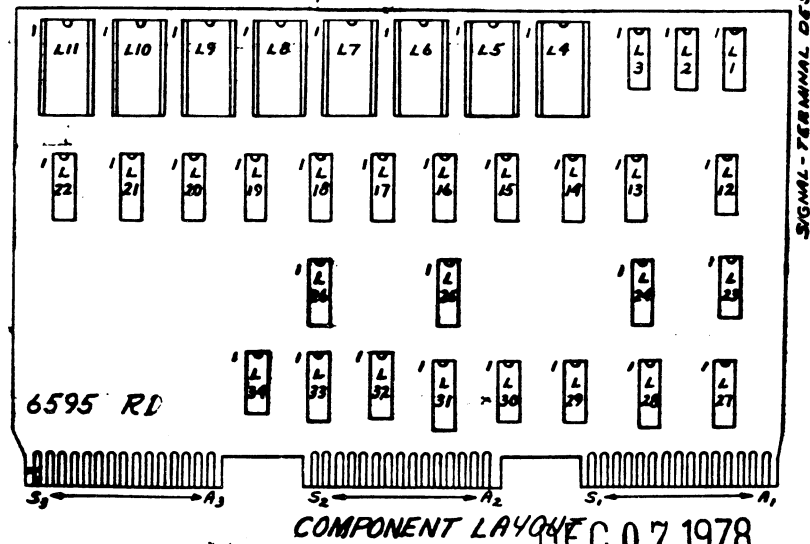
HOLE LEGEND	
DRILLED OR PUNCHED HOLE	HOLE DIA. TOL.
TOLERANCES:	125 to 125 - .015
	126 to 250 - .010
	251 to 500 - .008



COMPONENT	W.L. PART NO.
R1	330-4012
R2	330-4015
R3-10	330-3010
R11	330-2010
C1	300-4C29
C2-8	300-1903
C9,10	300-4022
C11	300-1913

\* SEE VARIATION CHART

LOCATION	W.L. PART NO.	TEMP. NO.	TEMP. NO. Vcc=+5V
L1,34	376-0093	7	14
L2,29,30	376-0010	7	14
L3	376-0002	7	14
24 PINSOCKET	376-9003		
L12	376-0005	11	4
L13,15,17,33	376-0053	8	16
L14,16,18	376-0094	8	16
L19-22	376-0137	8	16
L23	376-0139	7	14
L24,25,26	376-0082	8	16
L27,28	376-0097	8	16
L31,32	376-0113	8	16
L4-11	See Chart		



COMPONENT LAYOUT DEC 07 1978

\* VARIATION CHART

CHIP LOCATION	W.L. PART NO.
L4	378-0377 R1
L5	OPEN
L6	378-0373 R1
L7	378-0375
L8	378-0378 R1
L9	OPEN
L10	378-0374 R1
L11	378-0376

WANG PART NO.	ITEM	QTY	NAME	MATERIAL	DESCRIPTION
6595	1	1	6595 RD		

BY	DATE	APPROVED BY	DATE
CHK	10-16-78	E ENGRS	
		M ENGR	
		MFG ENGR	

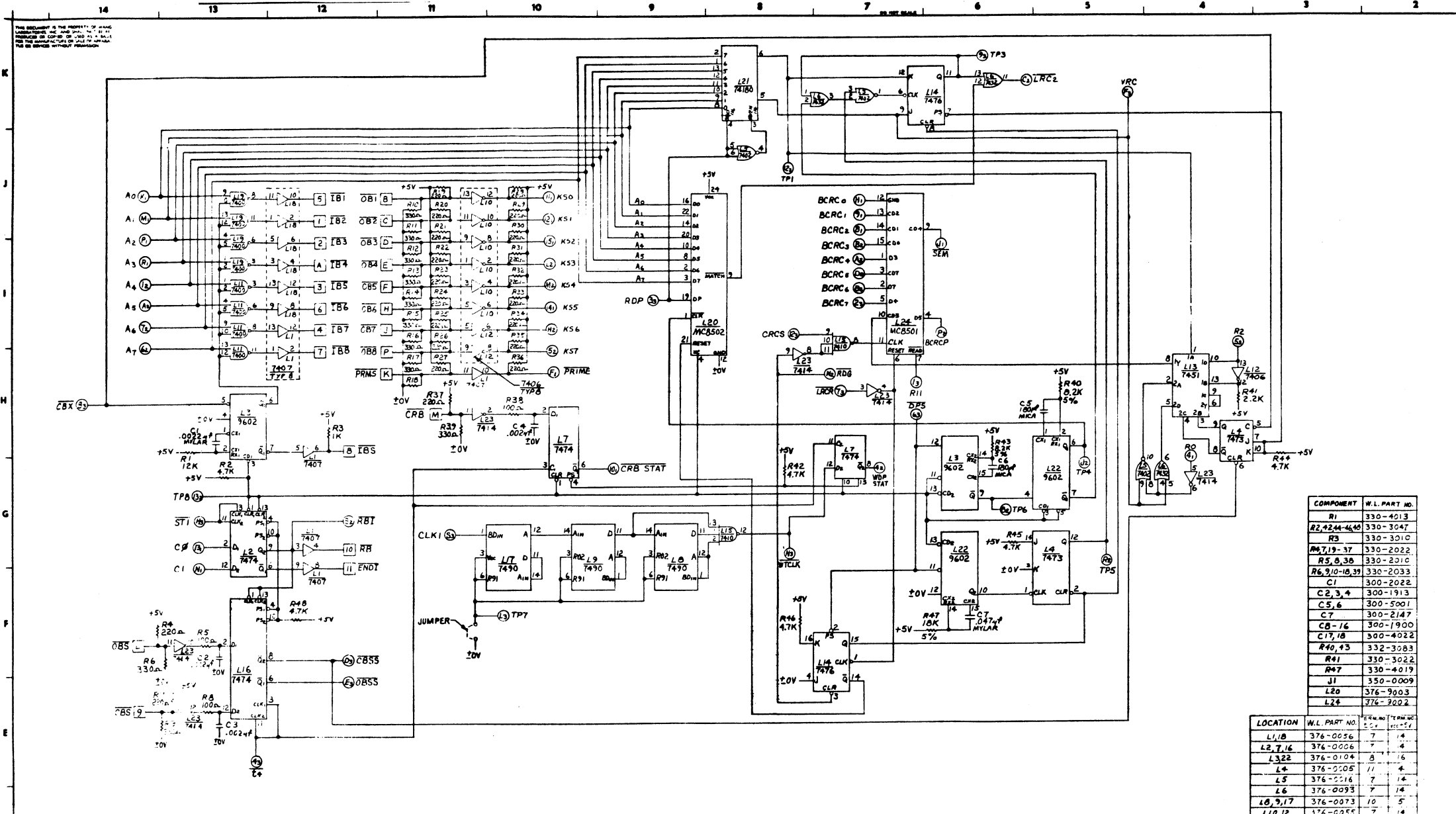
TITLE	MODEL NO.	SCALE	SHT	OF
SCHMATIC LOGI BLOC #6595	2209		4	6

TOL. DIM. AS NOTED	JOE & B10 PRAC. ± 1/64"	JOE & B10 ANG. ± 1° 30' FINISH	SCALE	SHT	OF
			210-6595	D	6595

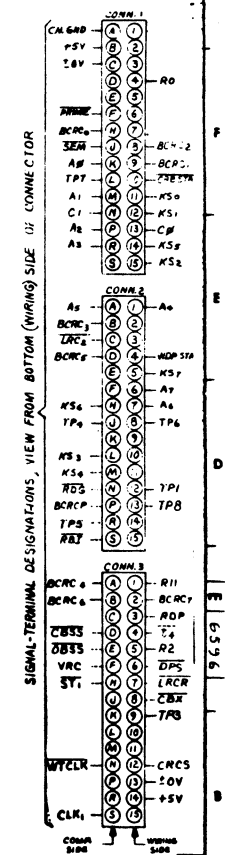
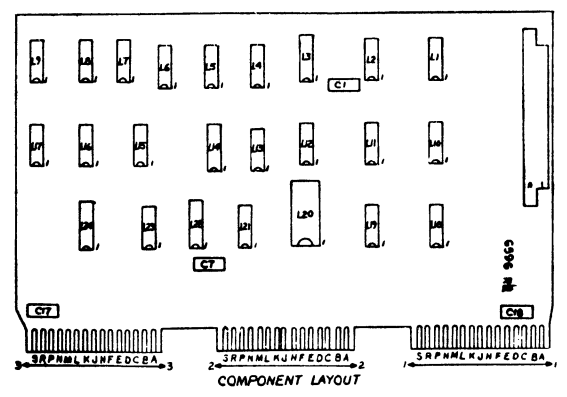
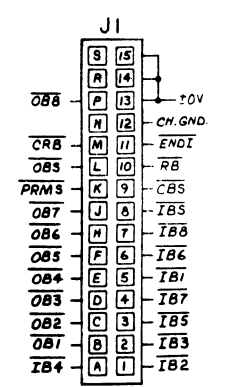
REV.	DATE	BY	DESCRIPTION
1	10-16-78	CHK	REVISED PER
2	10-16-78	CHK	REVISED PER
3	10-16-78	CHK	REVISED PER
4	10-16-78	CHK	REVISED PER
5	10-16-78	CHK	REVISED PER
6	10-16-78	CHK	REVISED PER
7	10-16-78	CHK	REVISED PER
8	10-16-78	CHK	REVISED PER
9	10-16-78	CHK	REVISED PER
10	10-16-78	CHK	REVISED PER
11	10-16-78	CHK	REVISED PER





COMPONENT	W.L. PART NO.
R1	330-4013
R2, R24, R40	330-3047
R3	330-3010
R4, R19-17	330-2022
R5, R38	330-2010
R6, R10, R39	330-2033
C1	300-2022
C2, 3, 4	300-1913
C5, 6	300-5001
C7	300-2147
C8-16	300-1900
C17, 18	300-4022
R40, 43	332-3083
R41	330-3022
R47	330-4019
J1	350-0009
L20	376-9003
L24	376-3002

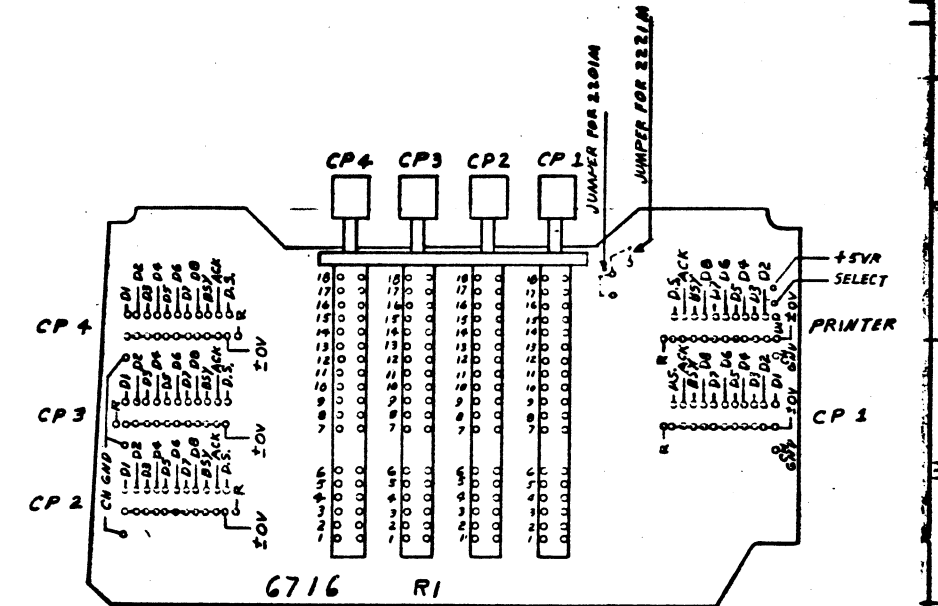
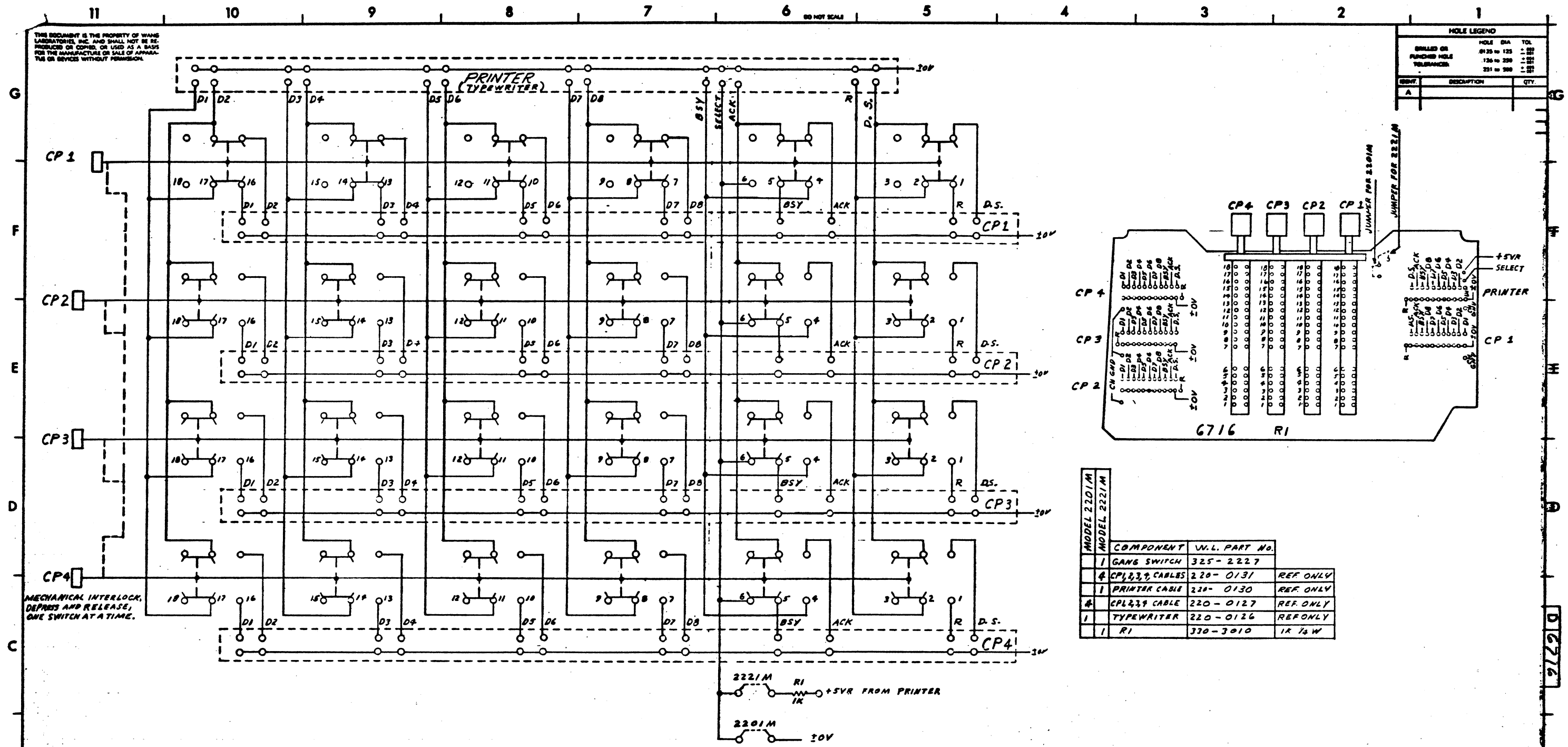
LOCATION	W.L. PART NO.	FORM NO.	TERMINAL
L1, 18	376-0056	7	14
L2, 7, 16	376-0006	7	4
L3, 22	376-0104	8	16
L4	376-0005	11	4
L5	376-0016	7	14
L6	376-0093	7	14
L8, 9, 17	376-0073	10	5
L10, 12	376-0055	7	14
L11, 19	376-0022	7	14
L13	376-0012	7	14
L14	376-0007	13	5
L15	376-0003	7	14
L20	376-0170	12	24
L21	376-0050	7	14
L23	376-0139	7	14
L24	376-0169	8	16



WANG PART NO.	ITEM	QTY	NAME	MATERIAL	DATE	APPROVED BY	DATE
2209			SCHEMATIC LOGIC/IO TERMINATOR				
210-6596			IO TERMINATOR				

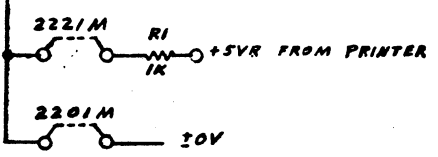
THIS DOCUMENT IS THE PROPERTY OF WANG LABORATORIES, INC. AND SHALL NOT BE REPRODUCED OR COPIED, OR USED AS A BASIS FOR THE MANUFACTURE OR SALE OF APPARATUS OR DEVICES WITHOUT PERMISSION.

HOLE LEGEND		
DILLED OR	HOLE DIA	TOL
PUNCHED HOLE	1/32 to 2/32	±.005
TELEBRANCE	2/32 to 5/32	±.005
IDENT	DESCRIPTION	QTY
A		



MODEL 222/M	MODEL 222/M	COMPONENT	W.L. PART NO.	
		1 GANG SWITCH	325-2227	
		4 CP1,2,3, CABLES	220-0131	REF ONLY
		1 PRINTER CABLE	220-0130	REF ONLY
		4 CP4,3,9 CABLE	220-0127	REF ONLY
		1 TYPEWRITER	220-0126	REF ONLY
		1 R1	330-3010	1K 1/4 W

MECHANICAL INTERLOCK, DEPRESS AND RELEASE, ONE SWITCH AT A TIME.

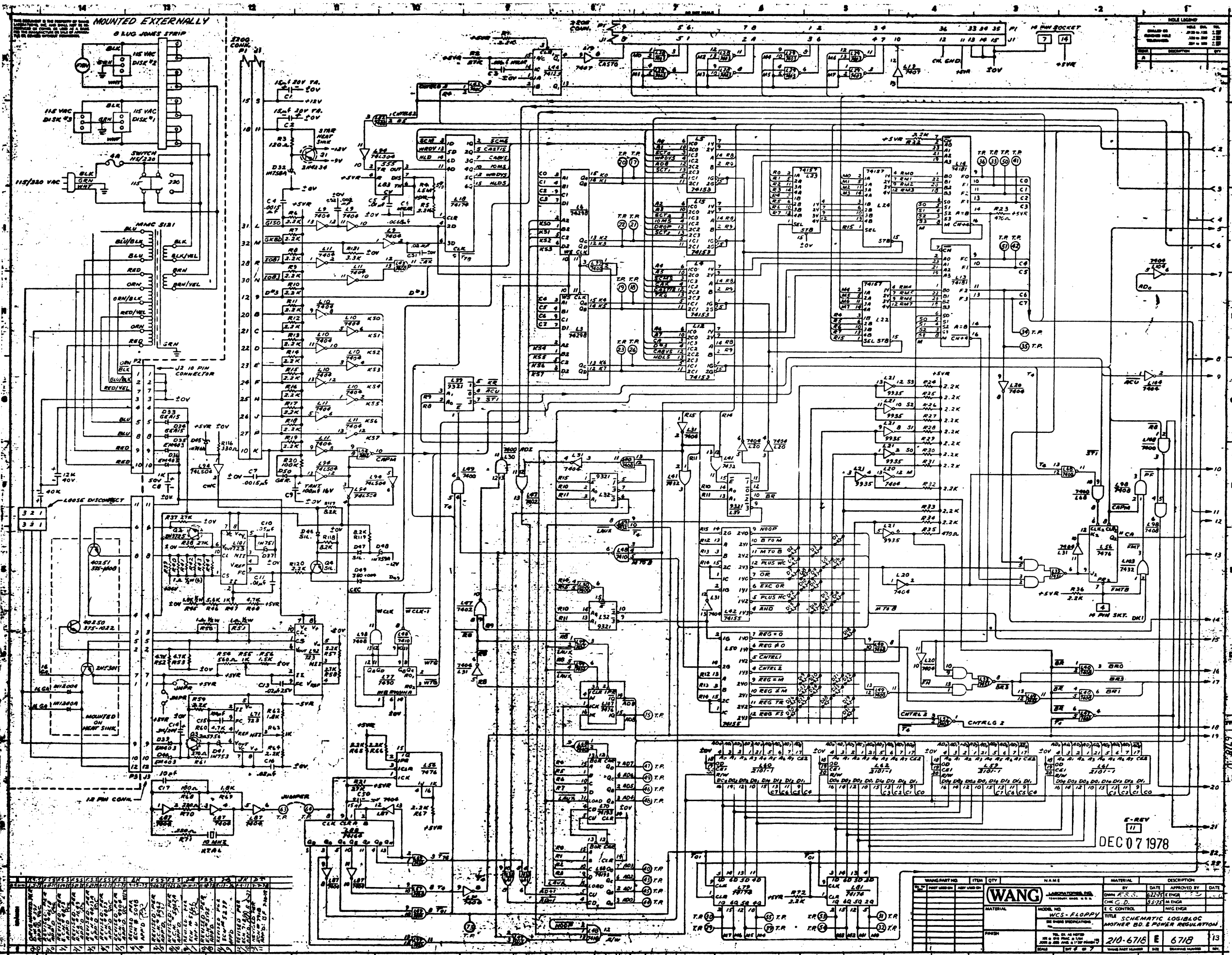


DEC 07 1978

E-REV  
2

REV	DATE	BY	DESCRIPTION
1	12-16-78	W.D.	REVISED PER SCHEMATIC
2	12-16-78	W.D.	REVISED PER SCHEMATIC

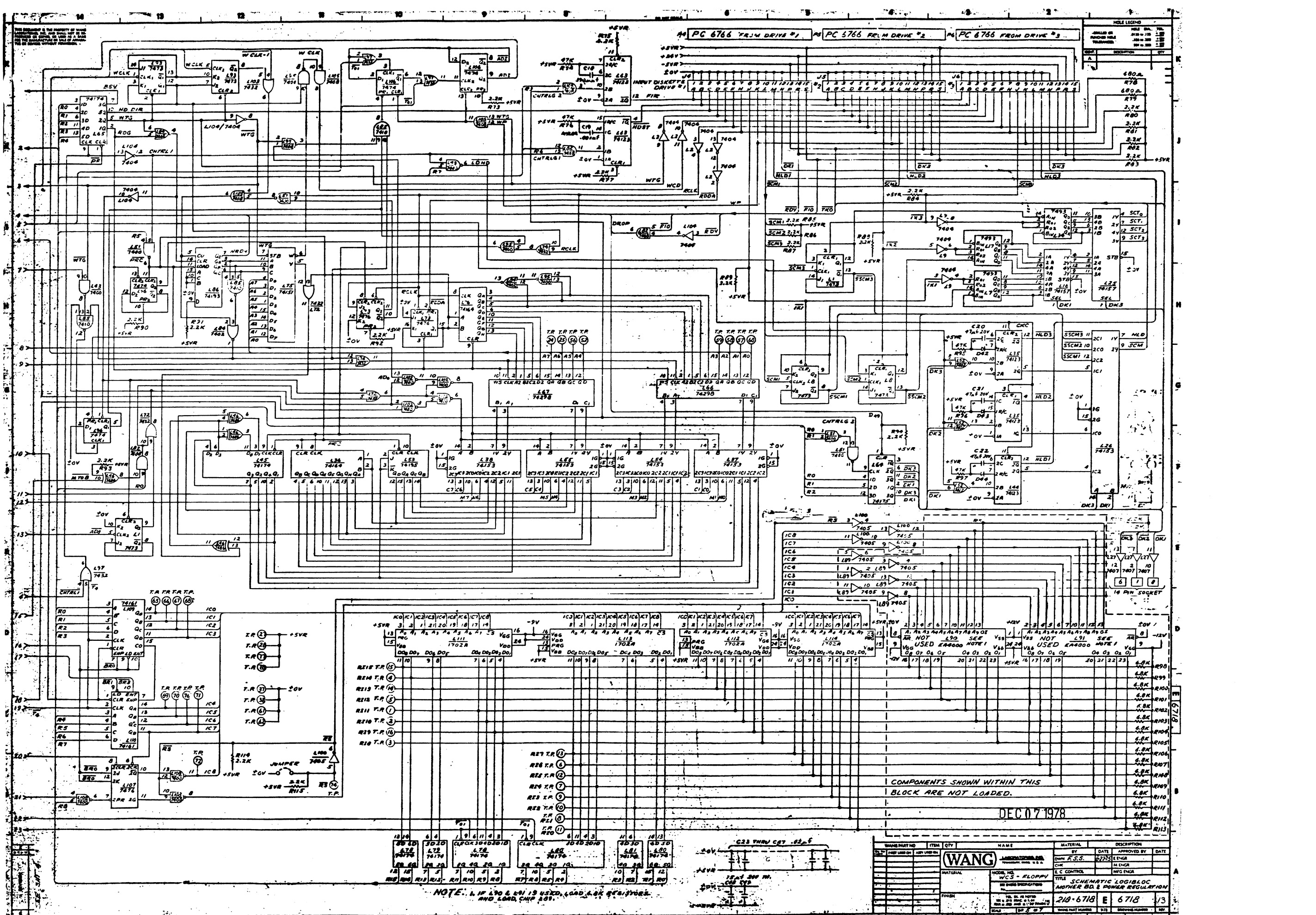
WANG PART NO.	ITEM	QTY	NAME	MATERIAL	DESCRIPTION
			<b>WANG</b> LABORATORIES, INC. TOWNSHIRE MASS. U.S.A.		
			MODEL NO. SEE AEDIE		
			SEE ENGR'S SPECIFICATIONS		
			FINISH		
			TOL. EX. AS NOTED		
			2X ± .010 PRAC. ± 1/64		
			3X ± .005 ANG. ± 1° 30' FINISH		
			SCALE		
			SHT 2 OF 5		
				210-6716	D 6716 2
				WANG PART NUMBER	SIZE DRAWING NUMBER REV



DEC 07 1978

QTY	DESCRIPTION	REF. DESIG.
1	74181 ALU	U1
1	74182	U2
1	74183	U3
1	74184	U4
1	74185	U5
1	74186	U6
1	74187	U7
1	74188	U8
1	74189	U9
1	74190	U10
1	74191	U11
1	74192	U12
1	74193	U13
1	74194	U14
1	74195	U15
1	74196	U16
1	74197	U17
1	74198	U18
1	74199	U19
1	74200	U20
1	74201	U21
1	74202	U22
1	74203	U23
1	74204	U24
1	74205	U25
1	74206	U26
1	74207	U27
1	74208	U28
1	74209	U29
1	74210	U30
1	74211	U31
1	74212	U32
1	74213	U33
1	74214	U34
1	74215	U35
1	74216	U36
1	74217	U37
1	74218	U38
1	74219	U39
1	74220	U40
1	74221	U41
1	74222	U42
1	74223	U43
1	74224	U44
1	74225	U45
1	74226	U46
1	74227	U47
1	74228	U48
1	74229	U49
1	74230	U50
1	74231	U51
1	74232	U52
1	74233	U53
1	74234	U54
1	74235	U55
1	74236	U56
1	74237	U57
1	74238	U58
1	74239	U59
1	74240	U60

WANG PART NO.	QTY	NAME	MATERIAL	DATE	APPROVED BY	DATE
74181	1	ALU	IC	12/1/78	WANG	12/1/78
74182	1	CARRY PROPAGATION	IC	12/1/78	WANG	12/1/78
74183	1	CARRY PROPAGATION	IC	12/1/78	WANG	12/1/78
74184	1	CARRY PROPAGATION	IC	12/1/78	WANG	12/1/78
74185	1	CARRY PROPAGATION	IC	12/1/78	WANG	12/1/78
74186	1	CARRY PROPAGATION	IC	12/1/78	WANG	12/1/78
74187	1	CARRY PROPAGATION	IC	12/1/78	WANG	12/1/78
74188	1	CARRY PROPAGATION	IC	12/1/78	WANG	12/1/78
74189	1	CARRY PROPAGATION	IC	12/1/78	WANG	12/1/78
74190	1	CARRY PROPAGATION	IC	12/1/78	WANG	12/1/78
74191	1	CARRY PROPAGATION	IC	12/1/78	WANG	12/1/78
74192	1	CARRY PROPAGATION	IC	12/1/78	WANG	12/1/78
74193	1	CARRY PROPAGATION	IC	12/1/78	WANG	12/1/78
74194	1	CARRY PROPAGATION	IC	12/1/78	WANG	12/1/78
74195	1	CARRY PROPAGATION	IC	12/1/78	WANG	12/1/78
74196	1	CARRY PROPAGATION	IC	12/1/78	WANG	12/1/78
74197	1	CARRY PROPAGATION	IC	12/1/78	WANG	12/1/78
74198	1	CARRY PROPAGATION	IC	12/1/78	WANG	12/1/78
74199	1	CARRY PROPAGATION	IC	12/1/78	WANG	12/1/78
74200	1	CARRY PROPAGATION	IC	12/1/78	WANG	12/1/78
74201	1	CARRY PROPAGATION	IC	12/1/78	WANG	12/1/78
74202	1	CARRY PROPAGATION	IC	12/1/78	WANG	12/1/78
74203	1	CARRY PROPAGATION	IC	12/1/78	WANG	12/1/78
74204	1	CARRY PROPAGATION	IC	12/1/78	WANG	12/1/78
74205	1	CARRY PROPAGATION	IC	12/1/78	WANG	12/1/78
74206	1	CARRY PROPAGATION	IC	12/1/78	WANG	12/1/78
74207	1	CARRY PROPAGATION	IC	12/1/78	WANG	12/1/78
74208	1	CARRY PROPAGATION	IC	12/1/78	WANG	12/1/78
74209	1	CARRY PROPAGATION	IC	12/1/78	WANG	12/1/78
74210	1	CARRY PROPAGATION	IC	12/1/78	WANG	12/1/78
74211	1	CARRY PROPAGATION	IC	12/1/78	WANG	12/1/78
74212	1	CARRY PROPAGATION	IC	12/1/78	WANG	12/1/78
74213	1	CARRY PROPAGATION	IC	12/1/78	WANG	12/1/78
74214	1	CARRY PROPAGATION	IC	12/1/78	WANG	12/1/78
74215	1	CARRY PROPAGATION	IC	12/1/78	WANG	12/1/78
74216	1	CARRY PROPAGATION	IC	12/1/78	WANG	12/1/78
74217	1	CARRY PROPAGATION	IC	12/1/78	WANG	12/1/78
74218	1	CARRY PROPAGATION	IC	12/1/78	WANG	12/1/78
74219	1	CARRY PROPAGATION	IC	12/1/78	WANG	12/1/78
74220	1	CARRY PROPAGATION	IC	12/1/78	WANG	12/1/78



COMPONENTS SHOWN WITHIN THIS  
BLOCK ARE NOT LOADED.

DEC 07 1978

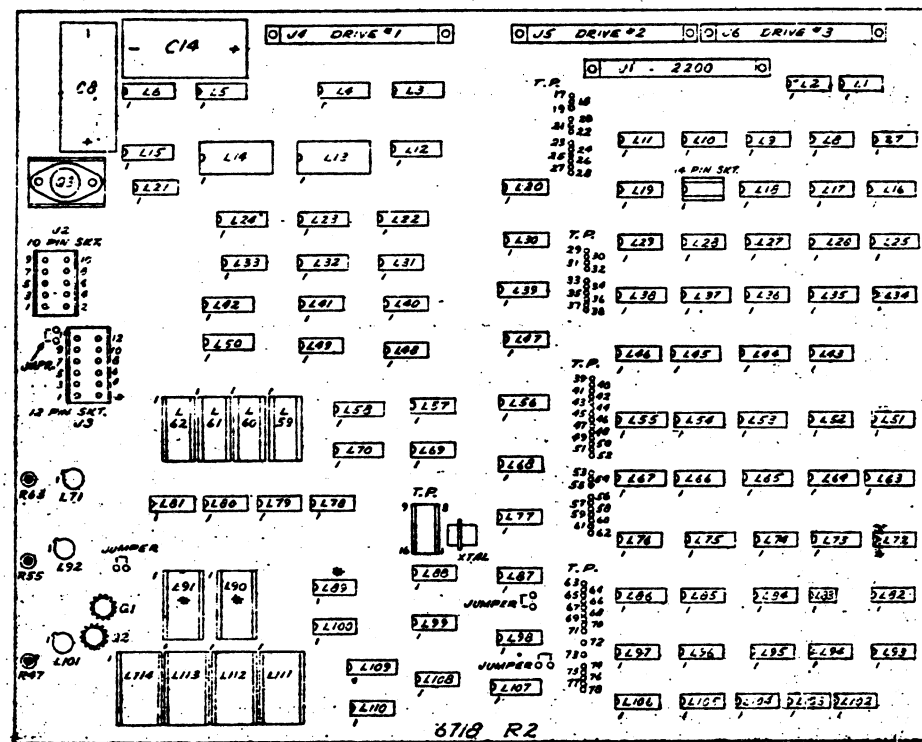
NOTE: L1 IN L70 & L91 IS USED, LOAD 4.7K RESISTORS  
AND LOAD CAP 20P.

WANG PART NO	ITEM	QTY	NAME	MATERIAL	DATE	DESCRIPTION



WANG  
MODEL NO. W35-FLOPPY  
DATE: 8/22/78  
E.C. CONTROL: MFG ENGR  
TITLE: SCHEMATIC LOGIC BLOC  
ANOTHER B.D. & POWER REGULATION  
210-6718 E 6718 /13

REV	DESCRIPTION	DATE
1		
2		



LOC. LOCATION	W.L. NO.	TERM	TOV	TERM	ASVR
L1, 8, 9, 9	376-0005	11		4	
L2, 9, 10, 12, 31, 87, 104	376-0010	7		14	
L3, 4, 4, 4, 47	376-C188	8		16	
L4, 5, 12, 15, 26, 37, 38, 54, 55	376-C098	8		16	
L7, 17, 34	376-0011	10		5	
L7, 18, 18	376-0099	12		24	
L16, 22, 23, 24, 25	376-0082	8		16	
L18, 45, 45, 78, 79, 80, 81	376-0058	8		16	
L19, 27	376-0056	7		14	
L21	376-0025	7		14	
L20, 29	376-0028	7		14	
L30, 48, 49, 51, 60, 95, 102, 102	376-0021	7		14	
L32, 39	376-0096	9		18	
L33	376-0012	7		14	
L35, 44, 43	376-0180	8		16	
L36, 76, 80	376-0102	7		14	
L40, 57, 82, 98, 105	376-0081	7		14	
L41, 49, 72, 74, 97, 99, 108	376-0093	7		14	
L42, 50	376-0099	8		16	
L44	376-0084	7		14	
L47, 52, 86	376-0016	7		14	
L48, 85	376-0003	7		14	
L53	376-0097	8		16	
L56, 73, 107	376-0007	13		5	
L58, 70, 86	376-0053	8		16	
L59, 60, 61, 62	377-0300	8		22	
L60	376-0119	8		16	
L71, 92, 101	376-0046				
L75	376-0097	8		16	
L77	376-0073	10		5	
L83	376-0124	1		8	
L100	376-0029	7		14	
L96, 106	376-0004	7		14	
L109, 110	376-0094	8		16	
L111	376-0452R1			12	
L112	376-1844R1			12	
L113	376-0453R1			12	
L114	376-0455R1			12	
L96	376-0180	7		14	

NOT LOADED

COMPONENT	W.L. NO.
R1, 5-19, 22, 24-34, 36, 57, 59	330-3022
R4-67, 72, 73, 75, 77, 80-94, 115, 120	
R2, 37, 38, 21	330-4027
R3	330-2012
R4	330-6016
R22	330-5010
R23, 35	330-2047
R39-44, 50, 51	331-0010
R45	331-3018
R46	330-3056
R47, 55, 43	330-1001
R48, 52, 53, 60	331-3047
R54	330-2056
R56	330-3015
R58	330-3027
R61	330-2027
R62, 69	330-3018
R68	330-2018
R70, 71	330-2021
R74, 76, 95-97	330-4047
R78, 79	330-2058
R98-113	330-3018
R116	330-2033
R117-119	330-3008
C1, 2, 48, 49, 50	300-4022
C3, 19	300-2010
C4, 7	300-1907
C5, 11	300-1903
C6	300-2066
C8	300-3055
C20-22	300-4026
C10	300-1900
C13, 16, C23-27, 51	300-1924
C14	300-3054
C15	300-1100
C17	300-1010
C18	300-1390
C9	300-4021
XTAL	321-0008
D1-31, 42-44, 46, 47	380-1001
D32	380-2180
D33, 34	380-2004
D38, 36, 39, 40	380-4000
Q37	380-2051
D41	380-2062
D45	380-2033
Q1	375-1024
Q2	375-1027
Q3	375-1031
TRANSIPAD (LS)	375-9001
HEATSINK (DIODE)	375-9010
D48	380-2180
D49, 50	380-0800
R121	330-3033
Q4	375-1006
C52	300-7913

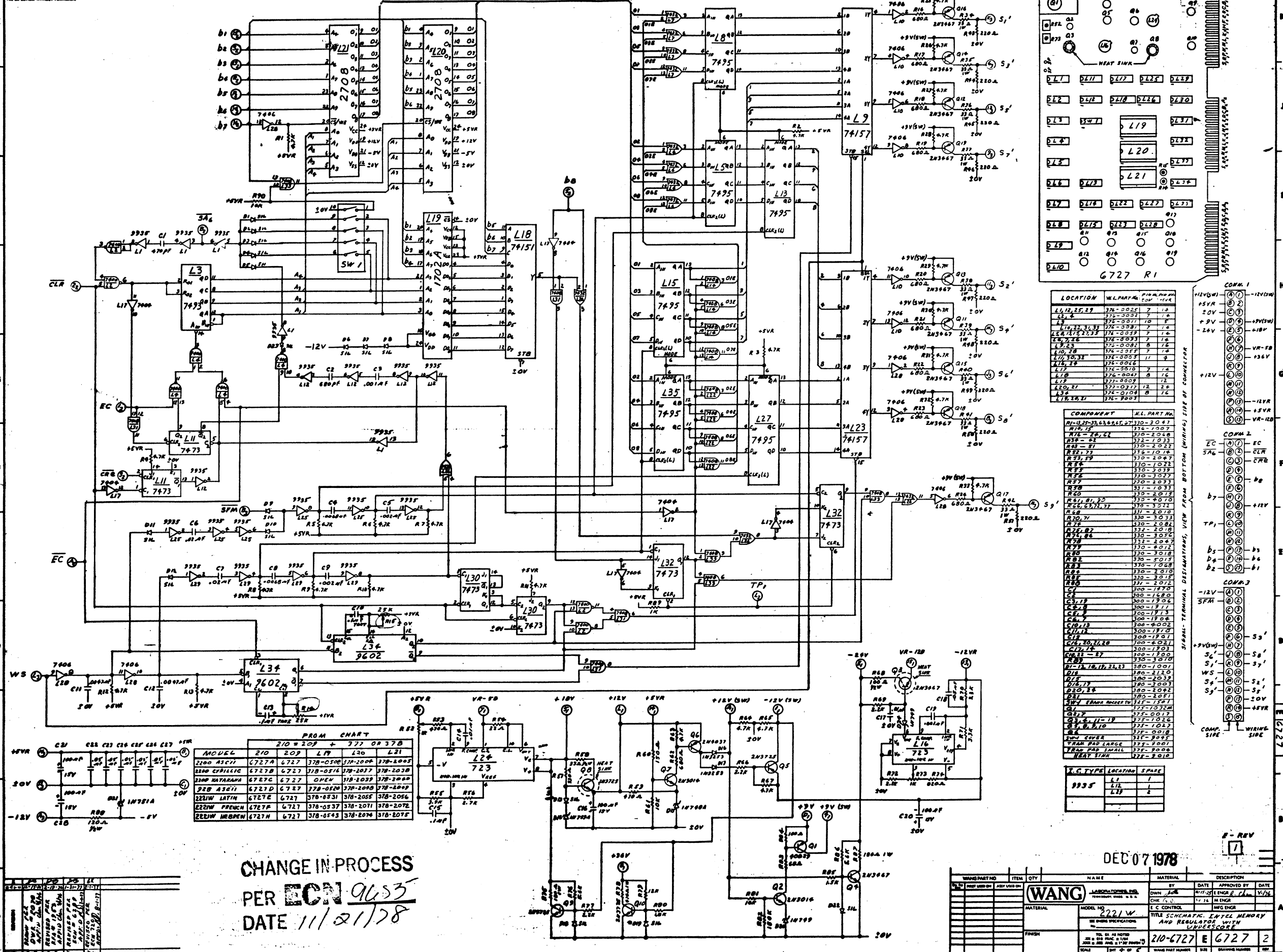
COMPONENT	W.L. NO.
J1, 4-6	350-2011
J2	654-1188
J3	654-1172
TP SKT LOW PROFILE	654-1157
16 PIN I.C. SOCKET	376-5022
14 PIN I.C. SOCKET	376-5023
20 PIN I.C. SOCKET	376-5024
22 PIN I.C. SOCKET	376-5010
18 PIN I.C. SOCKET	376-5012

LC TYPE	LOCATION	SPARES
7400	L30	1
	L49	1
	L48	1
7404	L2	1
	L11	1
74LS04	L94	1
7405	L100	1
7407	L19	4
	L27	3
7408	L37	3
	L58	1
7432	L42	1
	L76	2
	L97	1
	L99	1
	L108	2

DEC 07 1978

WARRANTY NO.	DATE	NAME	MATERIAL	DESCRIPTION
<b>WANG</b>				
WCS-READY				
ANOTHER BOARD & PARTS LIST				
210-6713 E 6718 1/3				

THIS DOCUMENT IS THE PROPERTY OF SPANG LABORATORIES, INC. AND SHALL NOT BE REPRODUCED OR COPIED IN ANY MANNER WITHOUT THE WRITTEN PERMISSION OF SPANG LABORATORIES, INC.

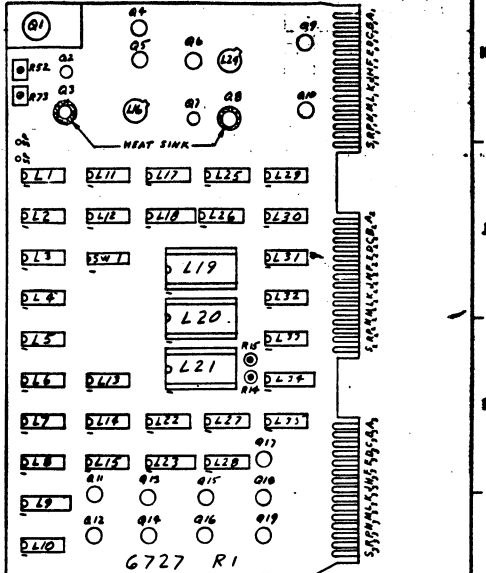


### PROG CHART

MODEL	210	209	L9	L30	L31
2200 ASCII	6727A	6727	378-0506	378-2004	378-2005
2200 CYRILLIC	6727B	6727	378-0516	378-2007	378-2008
2200 HATARAMA	6727C	6727	OPEN	378-2009	378-2000
2200 A36'4	6727D	6727	378-0520	378-2000	378-2000
2220W LATIN	6727E	6727	378-0531	378-2055	378-2056
2220W FRENCH	6727F	6727	378-0537	378-2071	378-2072
2220W HEBREW	6727H	6727	378-0543	378-2074	378-2075

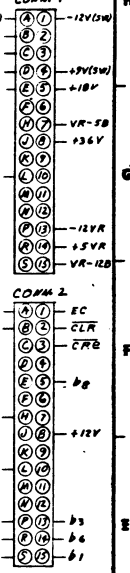
DESIGNED BY	DATE
REVIEWED BY	DATE
APPROVED BY	DATE

**CHANGE IN PROCESS**  
 PER **ECN 9653**  
 DATE **11/21/78**



LOCATION	ML PART NO	PIN	TRK
L1, L2, 25, 29	378-0022	7	1
L3, 4	378-0021	7	4
L4, 22, 31, 33	378-0021	10	5
L5, 6, 7, 8, 23, 24, 33	378-0022	7	4
L6, 7, 8	378-0022	7	4
L9, 23	378-0021	8	16
L10, 28	378-0022	7	4
L11, 30, 32	378-0021	11	2
L12, 28	378-0022	7	4
L13	378-0021	8	16
L20, 27	378-0021	12	2
L24	378-0104	8	16
L25, 26, 27	378-0021	8	16

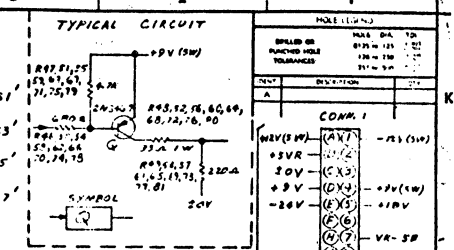
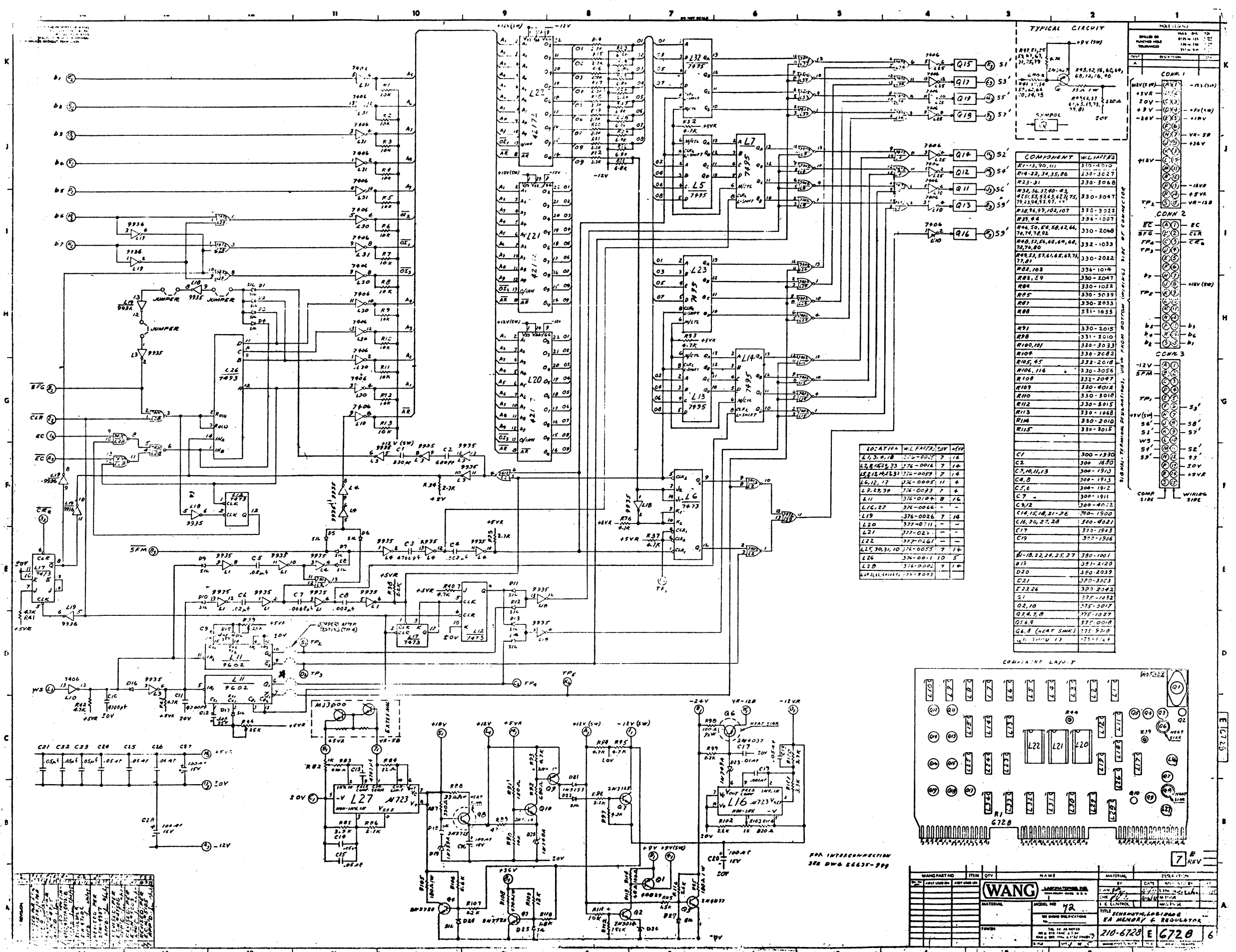
COMPONENT	ML PART NO	TRK
D1-D15, 25, 33, 35, 37, 39-41	378-0021	30-41
R1, 15	378-0021	30-41
R16-24, 42	378-0021	30-41
R25-29	378-0021	30-41
R30-34	378-0021	30-41
R35-39	378-0021	30-41
R40-44	378-0021	30-41
R45-49	378-0021	30-41
R50-54	378-0021	30-41
R55-59	378-0021	30-41
R60-64	378-0021	30-41
R65-69	378-0021	30-41
R70-74	378-0021	30-41
R75-79	378-0021	30-41
R80-84	378-0021	30-41
R85-89	378-0021	30-41
R90-94	378-0021	30-41
R95-99	378-0021	30-41



R14  
L34 PIN 6  
PIN 10

DEC 07 1978

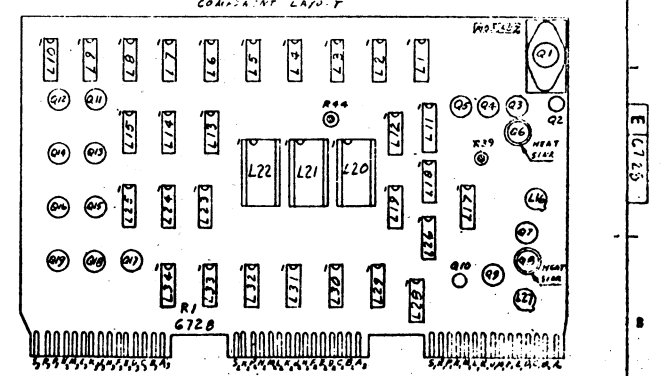
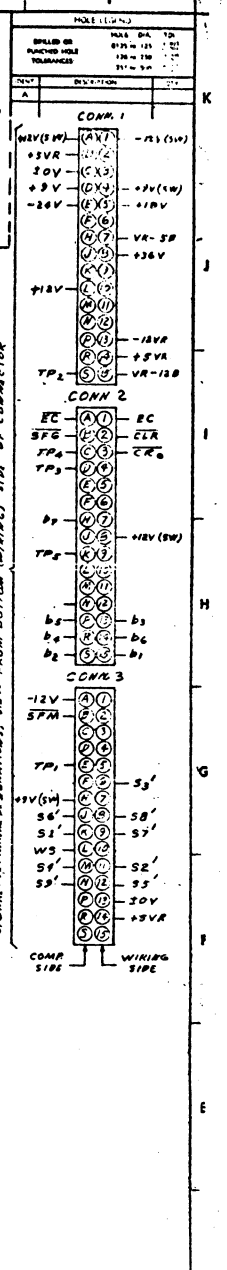
WANG PART NO	ITEM	QTY	NAME	MATERIAL	DESCRIPTION
<b>WANG LABORATORIES, INC.</b>					
TITLE: SCHEMATIC: ENTEL MEMORY AND REGULATORS WITH USER CODE					
MODEL NO: 2221W					
DATE: 11/21/78					
SCALE: 1:1					
DRAWING NO: 210-6727 E 6727 2					



COMPONENT	W.L. PART NO.	QTY
R1-13, 90, 111	330-4010	1
R14-23, 34, 35, 86	330-3027	1
R23-31	330-3066	1
R32, 34, 37, 40-43	330-3047	1
R42, 51, 52, 53, 63, 75, 79, 83, 84, 85, 87, 88	330-3022	1
R30, 94, 99, 102, 107	330-3022	1
R39, 46	334-1007	1
R44, 50, 54, 58, 62, 64, 70, 74, 76, 82	330-2088	1
R40, 55, 54, 60, 60, 60, 60, 60, 60, 60	332-1033	1
R47, 80	330-2022	1
R48, 53, 57, 61, 65, 69, 73, 77, 81	330-2022	1
R49, 103	334-1014	1
R48, 59	330-2047	1
R44	330-1022	1
R45	330-3039	1
R47	330-2033	1
R48	331-1035	1
R49	330-2015	1
R48	331-2010	1
R100, 101	330-3033	1
R109	332-2022	1
R105, 45	332-2018	1
R106, 116	330-3056	1
R108	332-2047	1
R109	330-4012	1
R100	330-3016	1
R112	330-3015	1
R113	330-1048	1
R114	330-2010	1
R115	330-3018	1

LOC. ATTRA	W.L. PART NO.	QTY	NOTE
L1, 3, 6, 18	330-0022	7	14
L2, 8, 15, 23	330-0016	7	14
L5, 12, 17	330-0005	11	6
L2, 8, 15, 23	330-0009	7	14
L11	330-0104	8	16
L16, 27	330-0066	-	-
L19	330-0026	7	14
L20	330-0111	-	-
L21	330-024	-	-
L22	330-0261	-	-
L25, 30, 31, 10	330-0055	7	14
L26	330-0011	10	5
L28	330-0002	7	14
L20, 21, 22, 24, 25, 27	330-1001	-	-
D15	330-2120	-	-
D20	330-2039	-	-
C21	330-3333	-	-
C22, 24	330-2042	-	-
C1	330-1032	-	-
C2, 10	330-2017	-	-
C3, 4, 7, 8	330-1027	-	-
C5, 6, 9	330-0018	-	-
C6, 8 (HEAT SHNK)	330-5210	-	-
C11 (THRU 13)	330-1024	-	-

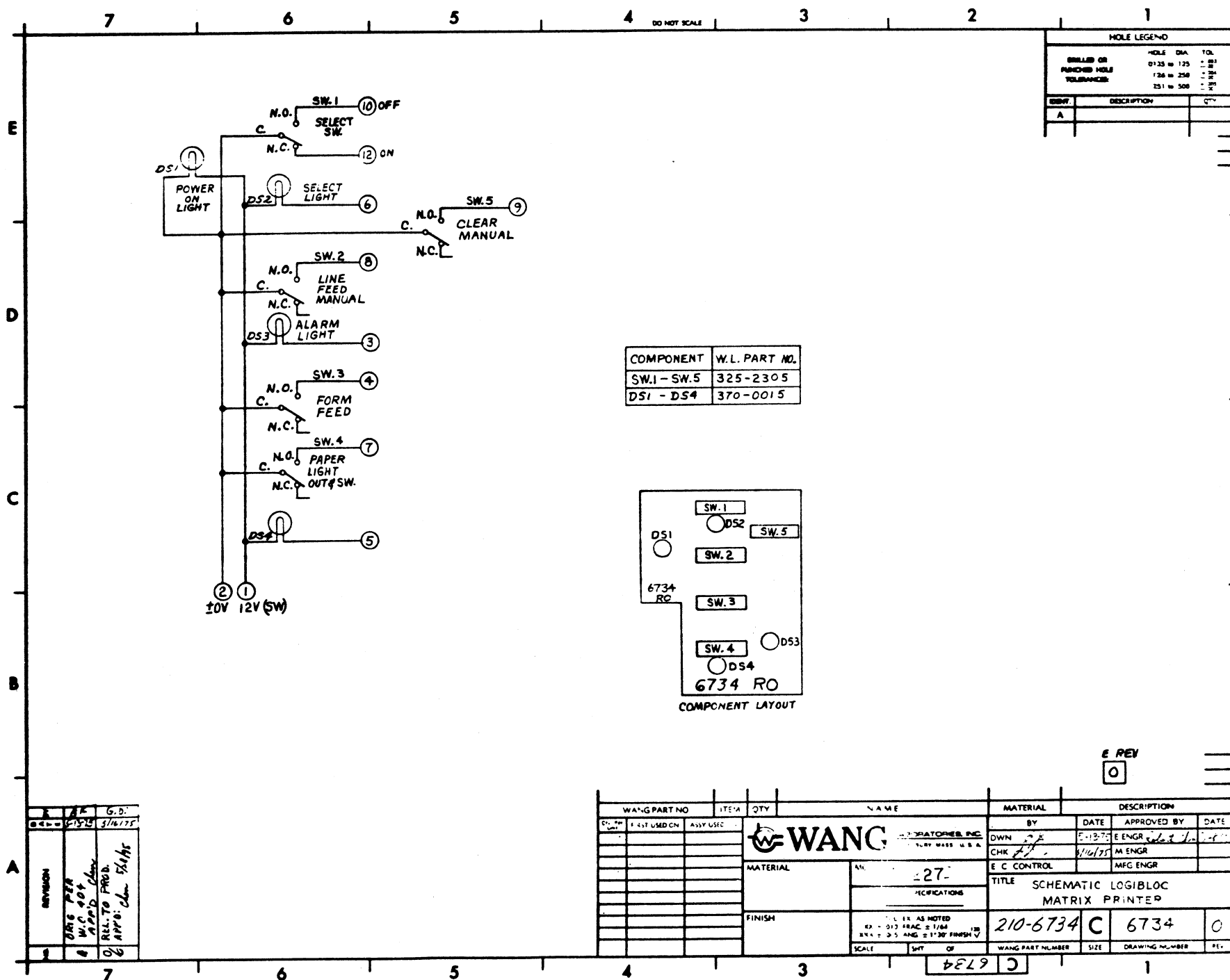


WANG PART NO.	ITEM	QTY	NAME	MATERIAL	DATE	REVISION

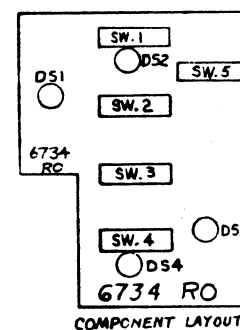
  

<b>WANG</b>		DATE	BY
MODEL NO.	7A	DATE	BY
DESCRIPTION	EA MEMORY & REGULATORS		
FIG. NO. OF THIS SHEET	210-6728 E 6728		
TOTAL NO. OF SHEETS	6		

WANG PART NO.	ITEM	QTY	NAME	MATERIAL	DATE	REVISION



COMPONENT	W.L. PART NO.
SW.1 - SW.5	325-2305
DS1 - DS4	370-0015

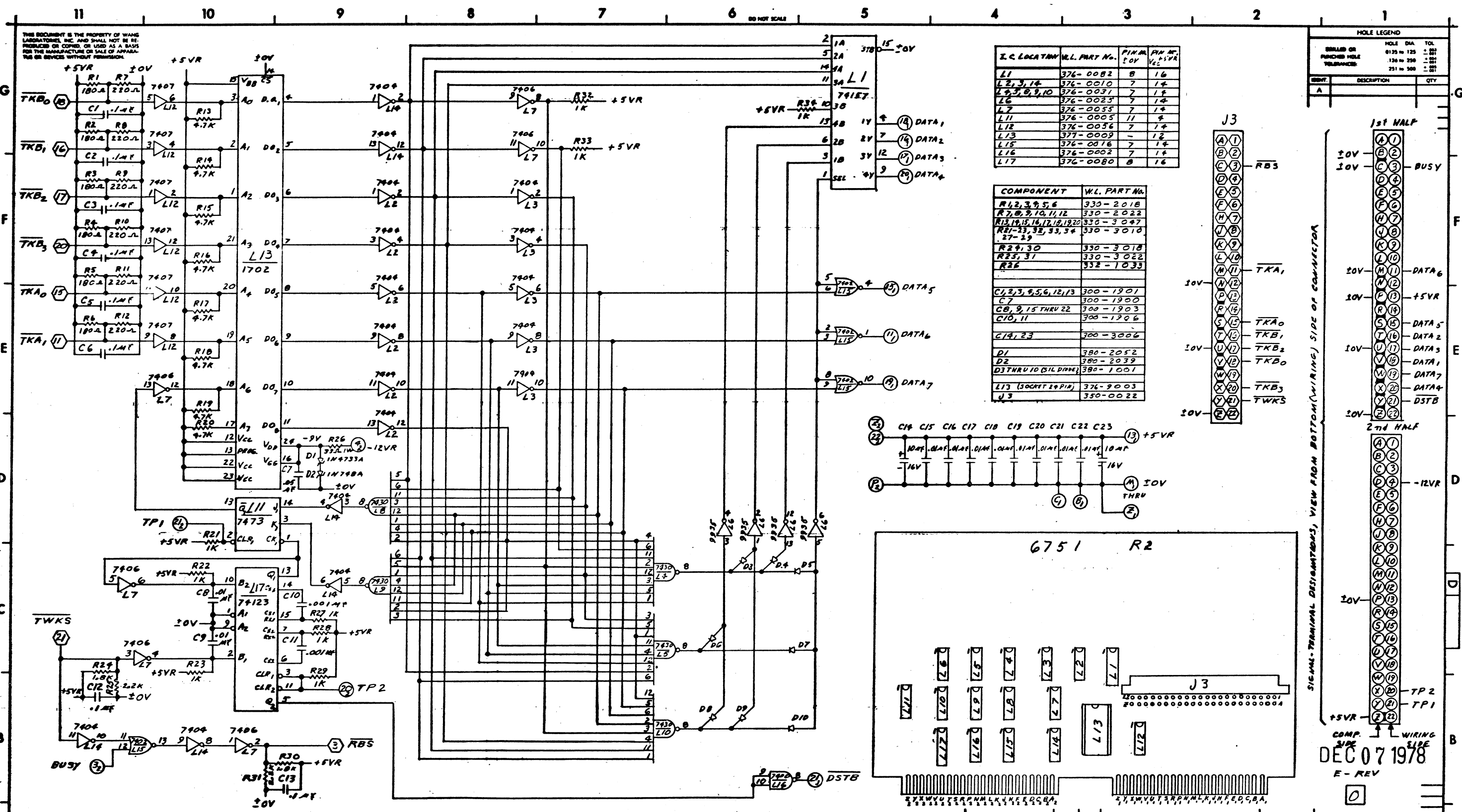


HOLE LEGEND		
HOLE DIA.	TOL.	TYPE
0.125 ± .005	± .01	DRILLED OR FINISHED HOLE
1.38 ± .006	± .01	TOLERANCE
2.51 ± .008	± .01	

REV.	DATE	BY	DESCRIPTION
1	5/16/75	G.D.	INITIAL
2			DIRS PER W.C. 404
3			APP'D. <i>[Signature]</i>
4			REL. TO PROD.
5			APP'D. <i>[Signature]</i>

WANG PART NO.	ITEM	QTY	NAME	MATERIAL	DESCRIPTION
210-6734			<b>WANG</b> CORPORATION INC. 100 WASHINGTON ST. WALTHAM, MASS. U.S.A.		
			MATERIAL		
			FINISH		
TITLE SCHEMATIC LOGIBLOC MATRIX PRINTER BY DWN 5/13/75 E ENGR CHECKED BY <i>[Signature]</i> 5/16/75 M ENGR E.C. CONTROL MFG ENGR					
210-6734	C		6734		0

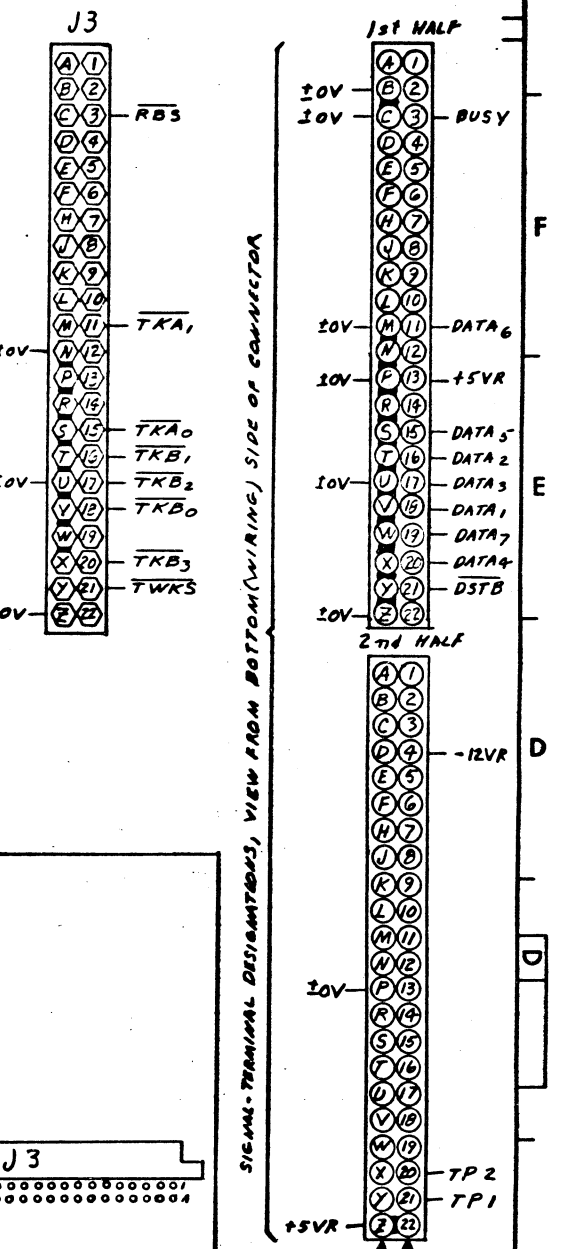




I.C. LOCATION	W.L. PART No.	PIN No.	PIN No.
L1	376-0082	8	16
L2, 3, 14	376-0010	7	14
L4, 5, 9, 10	376-0031	7	14
L6	376-0023	7	14
L7	376-0055	7	14
L11	376-0005	11	4
L12	376-0036	7	14
L13	377-0009	-	12
L15	376-0016	7	14
L16	376-0002	7	14
L17	376-0080	8	16

COMPONENT	W.L. PART No.
R1, 2, 3, 4, 5, 6	330-2018
R7, 8, 9, 10, 11, 12	330-2022
R13, 14, 15, 16, 17, 18, 19, 20	330-3047
R21-23, 25, 23, 24	330-3010
27-29	
R24, 30	330-3018
R25, 31	330-3022
R26	332-1033
C1, 2, 3, 4, 5, 6, 12, 13	300-1901
C7	300-1900
C8, 9, 15 THRU 22	300-1903
C10, 11	300-1906
C14, 23	300-3006
D1	380-2052
D2	380-2039
D3 THRU 10 (SIL DIODE)	380-1001
L13 (SOCKET & PIN)	376-9003
J3	350-0022

HOLE LEGEND		
DRILLED OR PUNCHED HOLE	HOLE DIA.	TOL.
DRILLED	0125 to 125	±.005
PUNCHED	126 to 250	±.005
DRILLED	251 to 500	±.005



REVISION	DATE	BY	DESCRIPTION
1	7-25-78	W.S.	REVISED PER APP'D CHG.
2	8-10-78	W.S.	REVISED PER APP'D CHG.
3	10-15-78	W.S.	REVISED PER APP'D CHG.
4	11-15-78	W.S.	REVISED PER APP'D CHG.
5	12-15-78	W.S.	REVISED PER APP'D CHG.

S.C. TYPE	LOCATION	SPARE
7400	L16	3
7404	L3	1
7473	L11	1
8935	L6	2

WANG PART NO.	ITEM	QTY	NAME	MATERIAL	DESCRIPTION
7400	1	3			
7404	1	1			
7473	1	1			
8935	1	2			

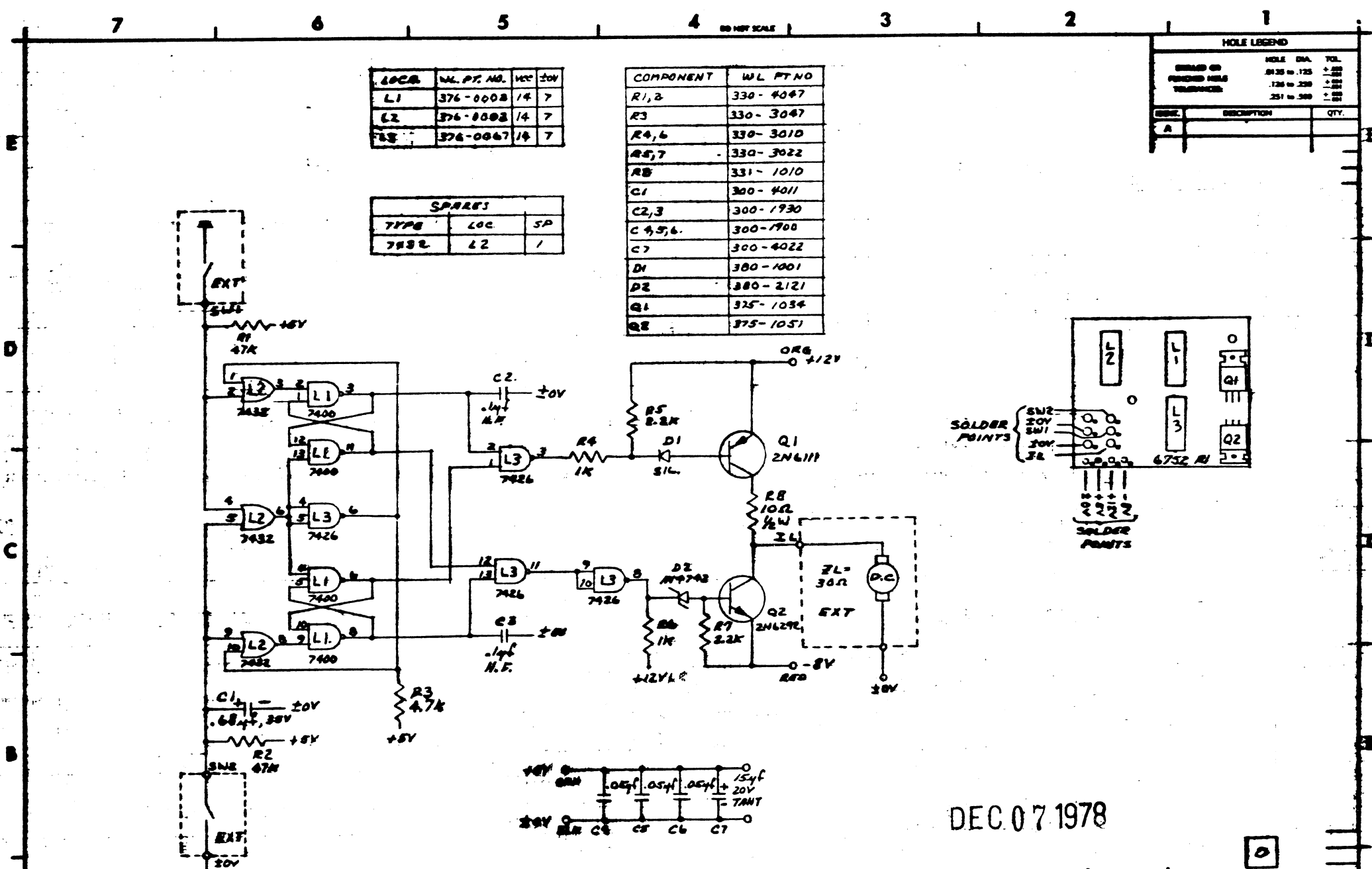
  

DATE	BY	DATE	APPROVED BY	DATE
7-20-78	J.P.S.	7-20-78	E ENGR R. Chen	11/16/78
	G.D.	8-4-78	M ENGR	

WANG PART NO.	ITEM	QTY	NAME	MATERIAL	DESCRIPTION
6751	D	2	6751		

COMP. DATE: DEC 07 1978  
 WIRING SIDE: E-REV  
 SIGNAL-TERMINAL DISAMBIGUATOR, VIEW FROM BOTTOM (WIRING) SIDE OF CONNECTOR

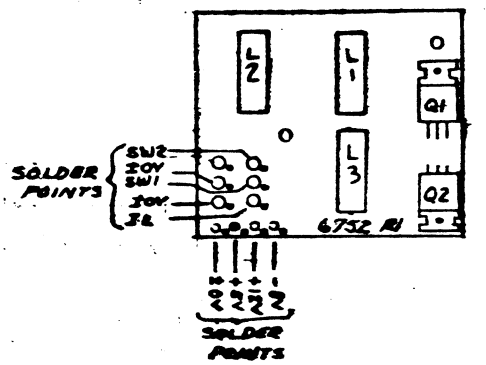


LOC	WL PT. NO.	QTY	20V
L1	376-0008	14	7
L2	376-0008	14	7
L3	376-0067	14	7

SPARES		
TYPE	LOC	SP
7482	L2	1

COMPONENT	WL PT. NO.
R1,2	330-4047
R3	330-3047
R4,6	330-3010
R5,7	330-3022
R8	331-1010
C1	300-4011
C2,3	300-1930
C4,5,6	300-1900
C7	300-4022
D1	380-1001
D2	380-2121
Q1	375-1034
Q2	375-1031

HOLE LEGEND		
DRILL DIA.	HOLE DIA.	TOL.
0.035 to .125	±.001	
.126 to .250	±.002	
.251 to .500	±.003	



DEC 07 1978

REV.	DATE	BY	DESCRIPTION
1	10-8-76	EB9	DRUM PLOTTER ROLLER OPTION
2	10-8-76	EB9	REV. PER 2221
3	10-8-76	EB9	REV. PER 2221
4	10-8-76	EB9	REV. PER 2221
5	10-8-76	EB9	REV. PER 2221
6	10-8-76	EB9	REV. PER 2221
7	10-8-76	EB9	REV. PER 2221

WANG PART NO.	ITEM	QTY	NAME	MATERIAL	DESCRIPTION
210-6752	1	1	DRUM PLOTTER ROLLER OPTION	C	6752

BY	DATE	APPROVED BY	DATE
OWN EB9	10-8-76	E ENGR	11/1/76
CHK		M ENGR	
E C CONTROL		MFG ENGR	

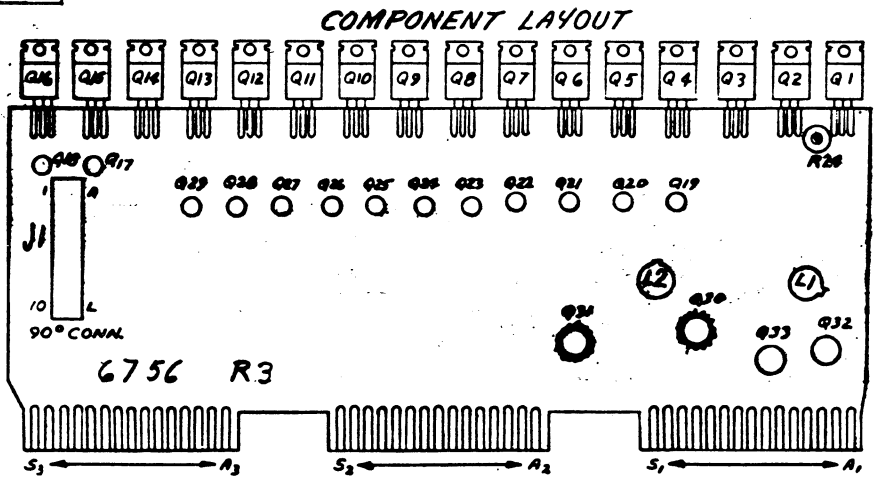
  

SCALE	SHT	OF	FINISH
7E	4	5	210-6752

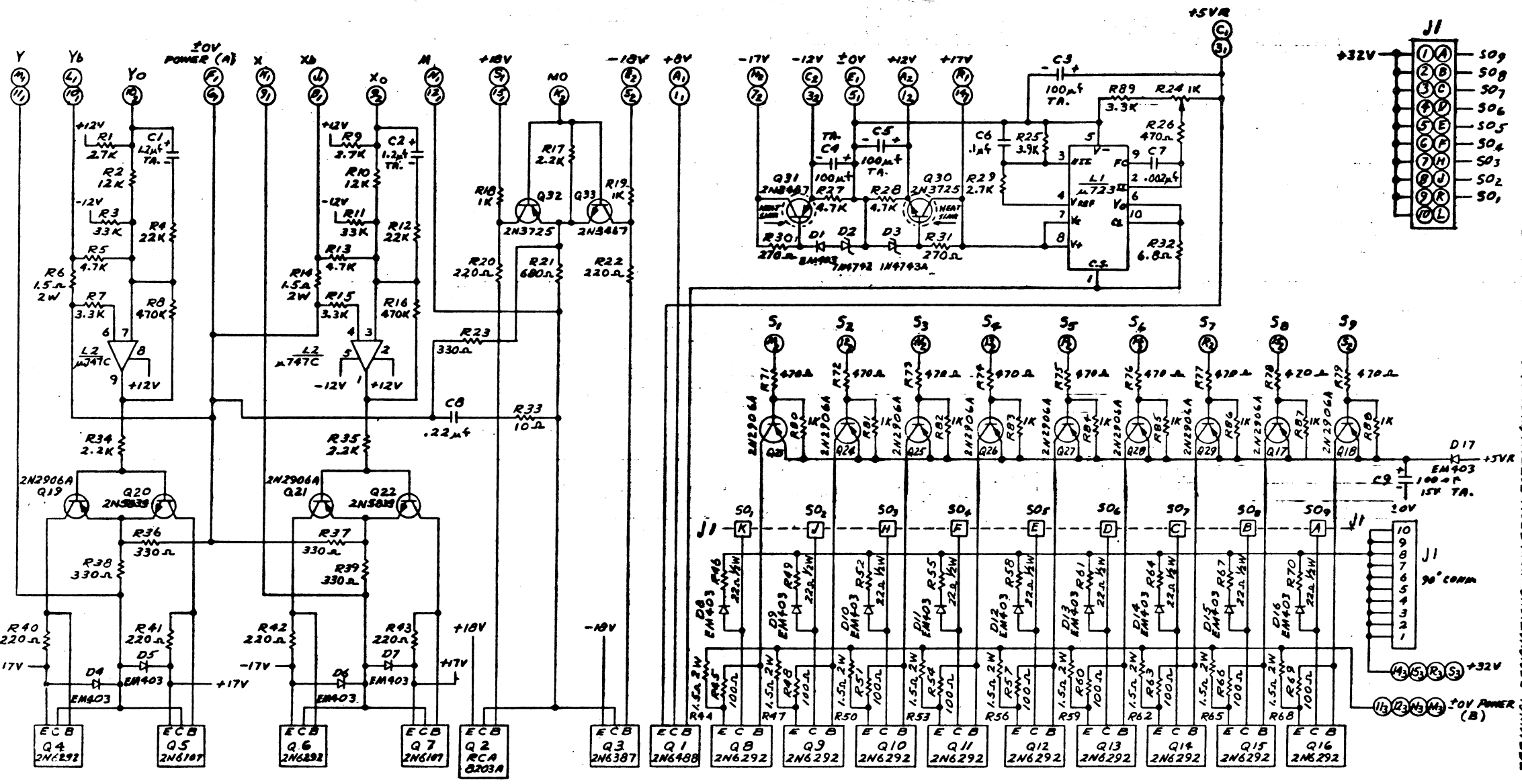
THIS DOCUMENT IS THE PROPERTY OF WANG LABORATORIES, INC. AND SHALL NOT BE REPRODUCED OR COPIED, OR USED AS A BASIS FOR THE MANUFACTURE OR SALE OF APPARATUS OR DEVICES WITHOUT PERMISSION.

COMPONENT	W.L. No.
R6,29	330-3027
R2,10	330-4012
R3,11	330-4033
R6,12	330-4022
R6,12,28	330-3047
R6,14,44,47	330-0026
R7,15,89	330-3033
R8,16	330-5097
R8,18,80	330-3010
R2,22,40	370-2022
R21	330-2068
R23,31,32	330-2033
R24	336-1014
R25	330-3039
R26,71-79	330-2047
R17,34,35	330-3022
R30,31	330-2027
R32	330-0068
R33	330-1010
R44,45,51,58	330-2010
R46,63,64,69	330-2010
R46,49,52,55,68,44,67,70	331-1022
CA,2	300-4019
C3,4,5,9	300-4021
C6	300-1901
C7	300-1913
C8	300-1926
D1,17	380-4000
D2	380-2121
D3	380-2113
Q1	375-1054
Q2	375-1053
Q3	375-1052
Q4,6	375-1051
Q5,7	375-1050
Q8-16	375-1051
Q17,18,19,21	375-1017
Q22-28	375-1006
Q29,32	375-1027
Q31,33	375-1026
M,5111	375-9018
TRANS AND LARGE	375-9001
TRANS AND SMALL	375-9004
J1	350-0037

I.C. LOCATION	W.L. NO.	TERM. FOR ±0V	TERM. FOR VCC +5V
L1	376-0066	5	
L2	376-0187		

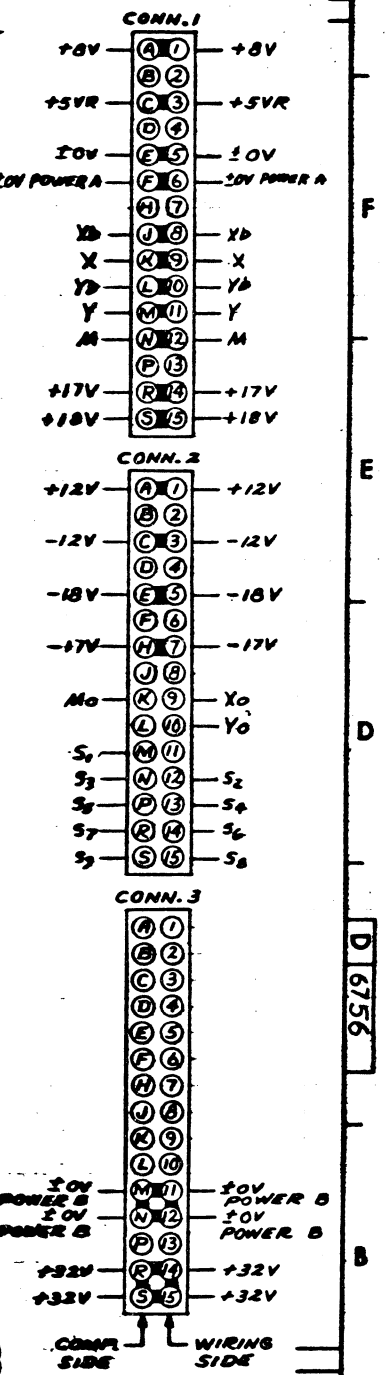


REV.	DATE	BY	DESCRIPTION
0			ORIGINAL PER DRAW 6756
1	11/17/78	J.S.S.	REVISED PER APP'D 10/18/78
2	11/17/78	J.S.S.	REVISED PER APP'D 11/20/78
3	11/17/78	J.S.S.	REVISED PER APP'D 11/20/78
4	11/17/78	J.S.S.	REVISED PER APP'D 11/20/78
5	11/17/78	J.S.S.	REVISED PER APP'D 11/20/78
6	11/17/78	J.S.S.	REVISED PER APP'D 11/20/78
7	11/17/78	J.S.S.	REVISED PER APP'D 11/20/78
8	11/17/78	J.S.S.	REVISED PER APP'D 11/20/78
9	11/17/78	J.S.S.	REVISED PER APP'D 11/20/78



HOLE LEGEND

SIZE	HOLE DIA.	TOL.
Ø135 to 175	±.002	
135 to 250	±.003	
251 to 500	±.004	



REV 1 DEC 07 1978

WANG PART NO.	ITEM	QTY.	NAME	MATERIAL	DESCRIPTION
	ITEM				
	QTY.				
	NAME				
	MATERIAL				
	DESCRIPTION				

WANG LABORATORIES, INC.  
TEMPERARY BLDG. N. E. A.

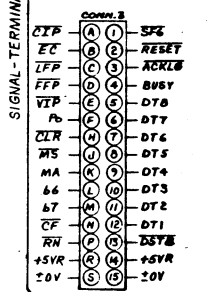
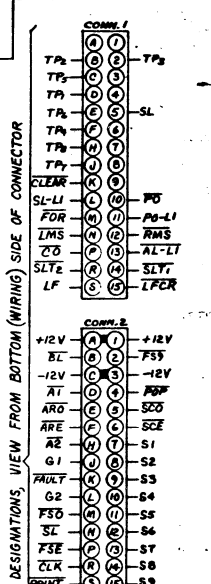
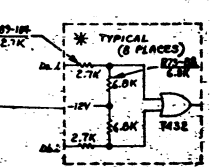
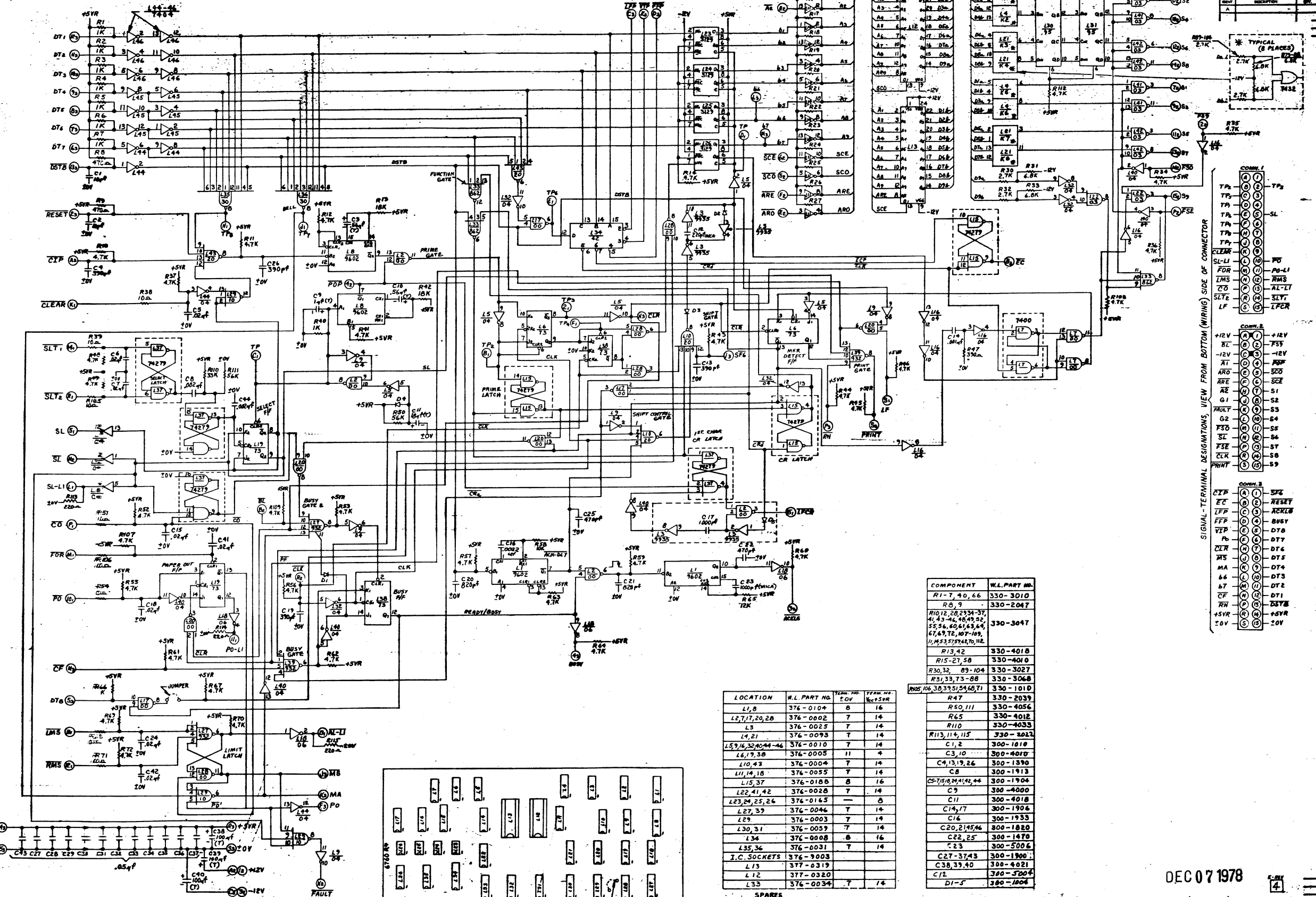
MODEL NO. 62 MATRIX PRINTER  
SEE ENGINE SPECIFICATIONS

TITLE SCHEMATIC LOGIBLOC POWER TRANSISTOR BOARD

210-6756 D 6756 9

SCALE 1/8" = 1"

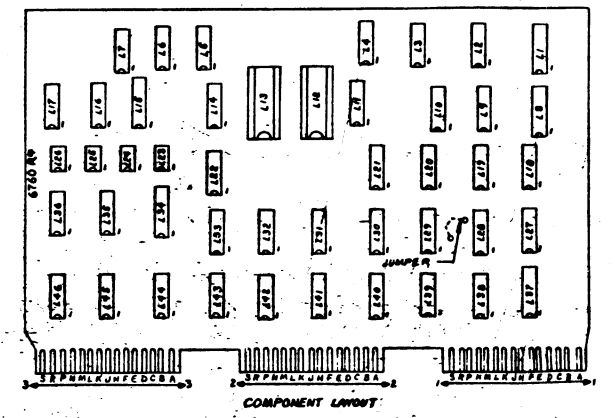
THIS DOCUMENT IS THE PROPERTY OF WANG  
 INDUSTRIAL, INC. AND SHALL BE LOANED  
 TO YOU BY THE MANUFACTURER OF THE  
 EQUIPMENT TO WHICH IT APPLIES.  
 IT IS TO BE RETURNED TO THE MANUFACTURER  
 OF THE EQUIPMENT WITHOUT DELAY.



COMPONENT	W.L. PART NO.
R1-7, 40, 66	330-3010
R8, 9	330-2047
R10, 12, 28, 34, 37, 41, 43, 46, 48, 49, 52, 55, 56, 60, 61, 63, 64, 67, 69, 72, 107, 109, 111, 153, 157, 158, 161, 162	330-3047
R13, 42	330-4018
R15-21, 58	330-4010
R30, 32, 89-104	330-3027
R31, 33, 73-88	330-3068
R35, 106, 38, 39, 51, 54, 68, 71	330-1010
R47	330-2039
R50, 111	330-4056
R65	330-4012
R110	330-4033
R113, 114, 115	330-3023
C1, 2	300-1010
C3, 10	300-4010
C4, 13, 19, 26	300-1390
C8	300-1913
C5-7, 9, 14, 14, 14, 14, 14	300-1904
C9	300-4000
C11	300-4018
C14, 17	300-1906
C16	300-1933
C20, 21, 45, 46	300-1820
C22, 25	300-1470
C23	300-5006
C27-37, 43	300-1900
C38, 39, 40	300-4021
C12	300-5004
D1-5	300-1804

LOCATION	W.L. PART NO.	QTY	PER. NO.	PER. NO.
L1, 8	376-0104	8	16	
L2, 7, 17, 20, 28	376-0002	7	14	
L3	376-0025	7	14	
L4, 21	376-0093	7	14	
L5, 9, 16, 32, 40, 44-46	376-0010	7	14	
L6, 7, 30	376-0005	11	4	
L10, 43	376-0004	7	14	
L11, 14, 18	376-0055	7	14	
L15, 37	376-0188	8	16	
L22, 41, 42	376-0028	7	14	
L23, 24, 25, 26	376-0145	—	0	
L27, 39	376-0046	7	14	
L29	376-0003	7	14	
L30, 31	376-0039	7	14	
L34	376-0008	8	16	
L35, 36	376-0031	7	14	
I.C. SOCKETS	376-9003			
L13	377-0319			
L12	377-0320			
L33	376-0034	7	14	

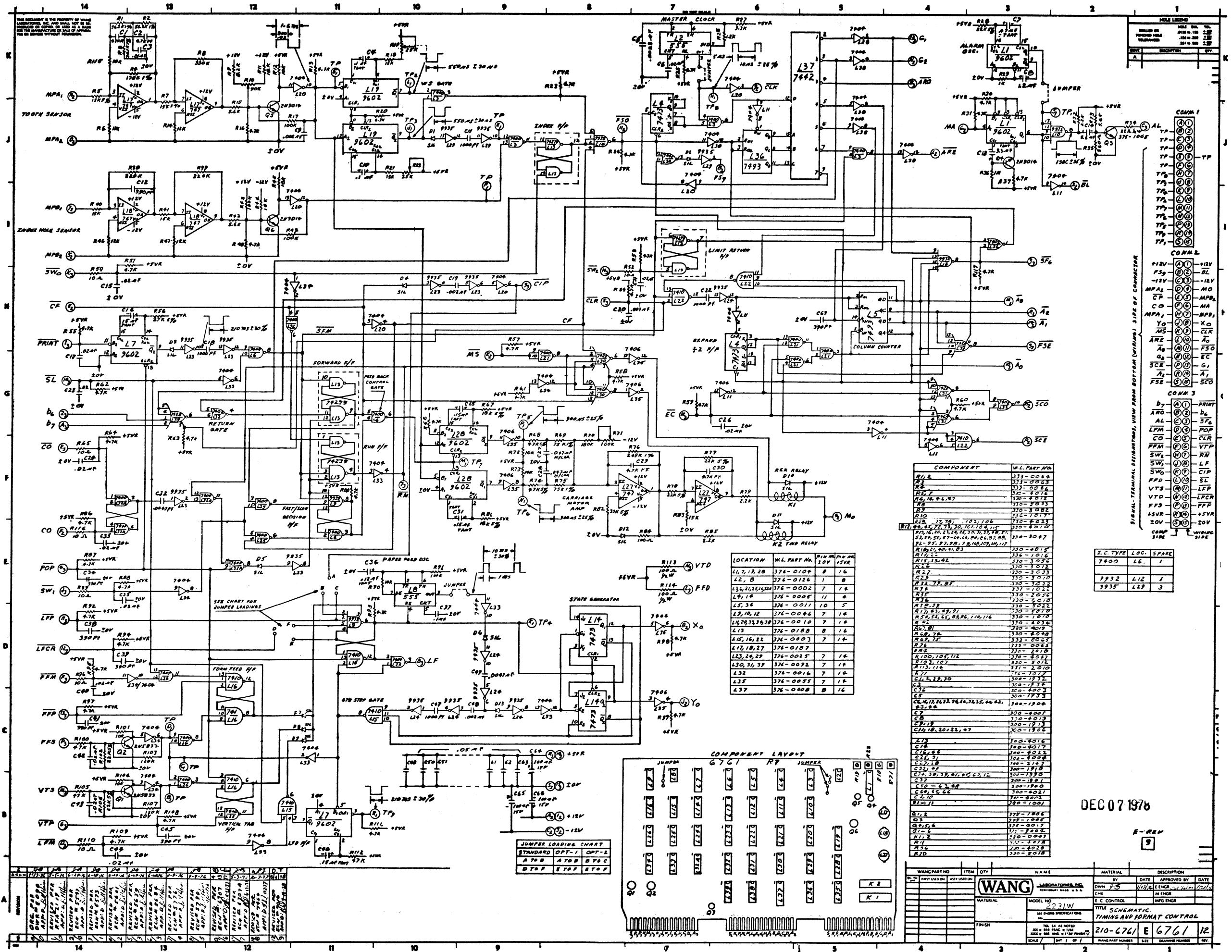
LOCATION	W.L. PART NO.	QTY
L3	9935	1
L17	7400	2
L22	7403	2
L44	7404	1
L5	7404	1
L15	7427	1



DEC 07 1978

REV.	DATE	BY	DESCRIPTION
1	10/11/78	WJG	INITIAL DESIGN
2	10/24/78	WJG	REVISED FOR MANUFACTURING
3	11/01/78	WJG	REVISED FOR MANUFACTURING
4	11/07/78	WJG	REVISED FOR MANUFACTURING
5	11/14/78	WJG	REVISED FOR MANUFACTURING
6	11/21/78	WJG	REVISED FOR MANUFACTURING
7	11/28/78	WJG	REVISED FOR MANUFACTURING
8	12/05/78	WJG	REVISED FOR MANUFACTURING
9	12/12/78	WJG	REVISED FOR MANUFACTURING
10	12/19/78	WJG	REVISED FOR MANUFACTURING
11	12/26/78	WJG	REVISED FOR MANUFACTURING
12	01/02/79	WJG	REVISED FOR MANUFACTURING
13	01/09/79	WJG	REVISED FOR MANUFACTURING
14	01/16/79	WJG	REVISED FOR MANUFACTURING

WANG PART NO.	ITEM	QTY	NAME	MATERIAL	DESCRIPTION	DATE
209-6760	E	6760	I/O CONTROL, DATA STORAGE, & CHARACTER GENERATOR			1/17/78



WHEEL LISTING

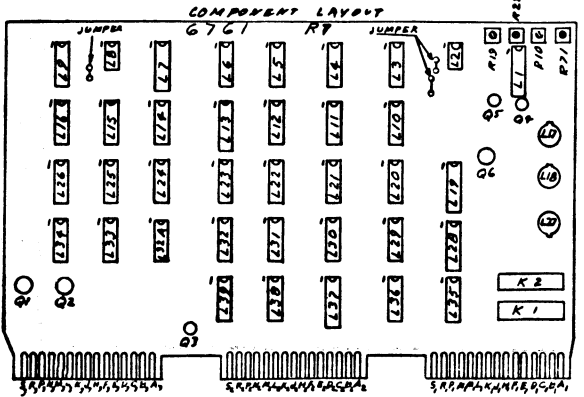
WHEEL NO.	WHEEL TYPE
1	100-0001
2	100-0002
3	100-0003
4	100-0004
5	100-0005

COMPONENT

LOCATION	W.L. PART NO.	QTY.
R1, 2	333-0064	2
R3	333-0023	1
R4	333-0023	1
R5, 7	333-0023	2
R6, 16, 46, 47	333-0023	4
R9	333-0023	1
R10	333-0023	1
R11, 10, 11, 16, 17, 20, 21, 22, 23, 24, 25, 26, 27, 28, 29, 30, 31, 32, 33, 34, 35, 36, 37, 38, 39, 40, 41, 42, 43, 44, 45, 48, 49, 50, 51, 52, 53, 54, 55, 56, 57, 58, 59, 60, 61, 62, 63, 64, 65, 66, 67, 68, 69, 70, 71, 72, 73, 74, 75, 76, 77, 78, 79, 80, 81, 82, 83, 84, 85, 86, 87, 88, 89, 90, 91, 92, 93, 94, 95, 96, 97, 98, 99, 100	333-0023	100
R101, 102, 103, 104	333-0023	4
R105, 106, 107, 108, 109, 110, 111	333-0023	6
R112, 113, 114, 115, 116, 117, 118, 119, 120, 121, 122, 123, 124, 125, 126, 127, 128, 129, 130, 131, 132, 133, 134, 135, 136, 137	333-0023	32
R138, 139, 140, 141, 142	333-0023	4
R143, 144, 145, 146, 147, 148, 149, 150	333-0023	6
R151, 152, 153, 154, 155, 156, 157, 158, 159, 160	333-0023	10
R161, 162, 163, 164, 165, 166, 167, 168, 169, 170, 171, 172, 173, 174, 175, 176, 177, 178, 179, 180	333-0023	30
R181, 182, 183, 184, 185, 186, 187, 188, 189, 190, 191, 192, 193, 194, 195, 196, 197, 198, 199, 200	333-0023	40

LOCATION W.L. PART NO. PIN AM. MM. AM.

LOCATION	W.L. PART NO.	PIN	AM.	MM.	AM.
L1, 1, 2, 20	376-0100	8	1/16		
L2, B	376-0124	1	8		
L3, 21, 22, 23, 24	376-0002	7	1/16		
L4, 14	376-0008	11	4		
L5, 34	376-0011	10	5		
L6, 10, 12	376-0096	7	1/16		
L7, 29, 33, 39	376-0010	7	1/16		
L8, 13	376-0180	8	1/16		
L9, 16, 22	376-0003	7	1/16		
L10, 18, 27	376-0187	7	1/16		
L11, 24, 29	376-0025	7	1/16		
L12, 36, 39	376-0092	7	1/16		
L13	376-0014	7	1/16		
L14	376-0055	7	1/16		
L15	376-0008	8	1/16		
L16, 17	376-0008	8	1/16		



JUMPER LOADING CHART

STANDARD	OPT-1	OPT-2
A TO B	A TO B	B TO C
D TO E	E TO F	F TO G

DEC 07 1978

E-REP 9

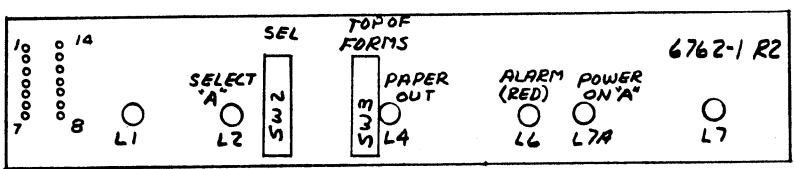
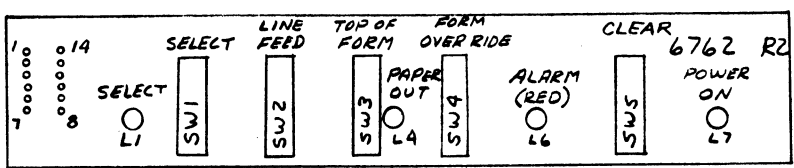
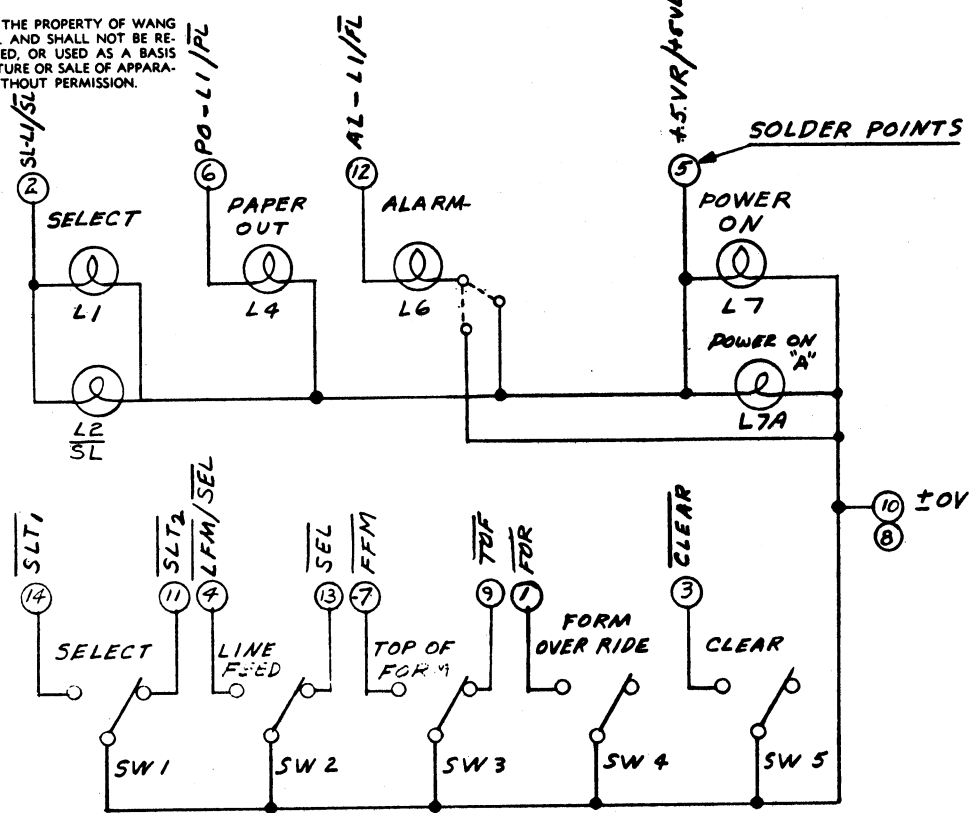
REV.	DATE	BY	DESCRIPTION
001			ORIGINAL DESIGN
002			REVISED PER COMMENTS
003			REVISED PER COMMENTS
004			REVISED PER COMMENTS
005			REVISED PER COMMENTS
006			REVISED PER COMMENTS
007			REVISED PER COMMENTS
008			REVISED PER COMMENTS
009			REVISED PER COMMENTS
010			REVISED PER COMMENTS

WANGPART NO.	ITEM	QTY.	NAME	MATERIAL	DESCRIPTION
223/W	1	1	SCHEMATIC	223/W	SCHEMATIC
223/W	2	1	TIMING AND FORMAT CONTROL	223/W	TIMING AND FORMAT CONTROL

THIS DOCUMENT IS THE PROPERTY OF WANG LABORATORIES, INC. AND SHALL NOT BE REPRODUCED OR COPIED, OR USED AS A BASIS FOR THE MANUFACTURE OR SALE OF APPARATUS OR DEVICES WITHOUT PERMISSION.

HOLE LEGEND		
DRILLED OR PUNCHED HOLE	HOLE DIA.	TOL.
	.0135 to .125	+ .003 - .001
	.126 to .250	+ .004 - .001
	.251 to .500	+ .005 - .001
IDENT.	DESCRIPTION	QTY.
A		

LOADING CHART		
2231-W	928-2231W	W.L. PT NO.
SW1		325-2305
SW2,3,4,5	SW 2,3	325-2300
L1,4,6,7	L2,4,6,7A	370-0015
L1,4,6,7	L1,2,4,6,7,7A	370-1020
L1,4,6,7	L1,2,4,6,7,7A	652-3002
I.C. PAD	I.C. PAD.	376-9008



E-REV

0

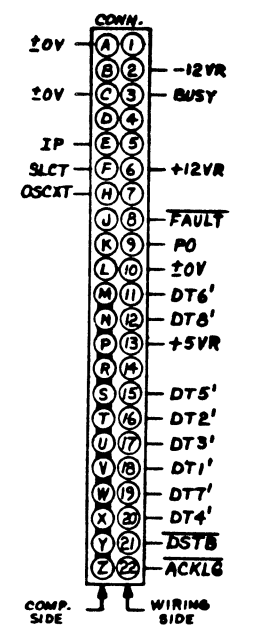
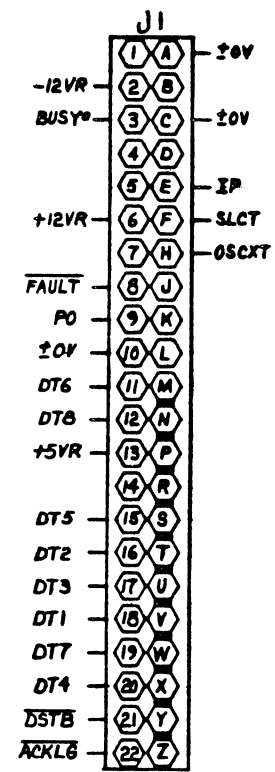
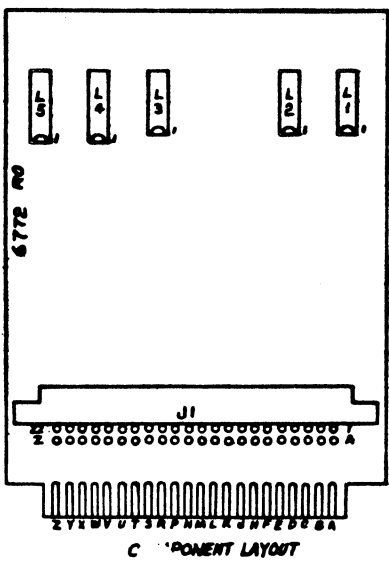
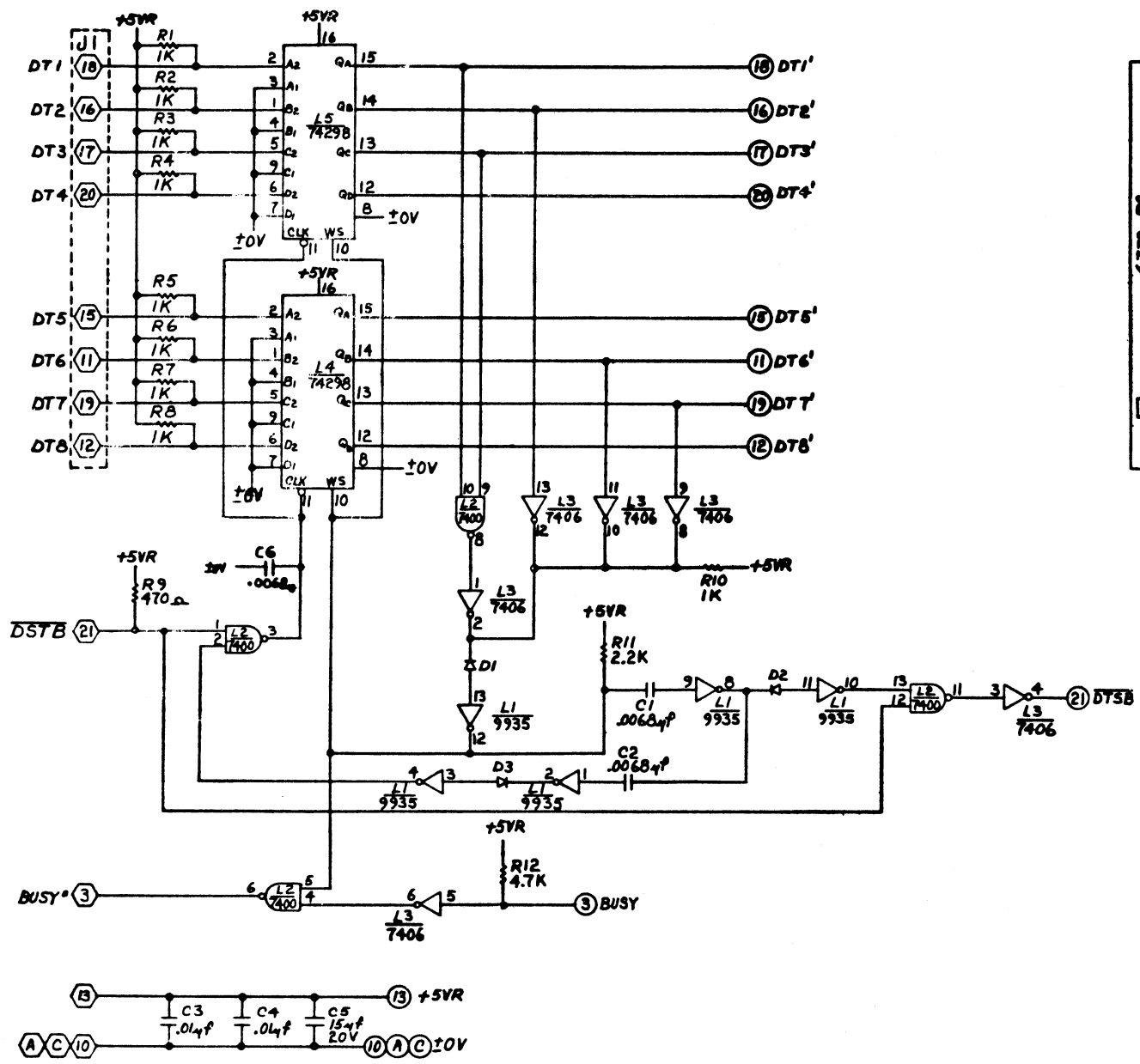
NO.	BY	DATE	DESCRIPTION
0	JCB	1-14-76	ORG. PER. DWR. E096 APP'D D Billham
1	R.A.	1-4-76	CHG. PER. #2017 RFA APP'D Billham
2	R.B.	6-17-76	REVISED PER E.C.N. 3504 & RFA 2149 APP'D Billham
3	R.B.	9-14-76	REVISED PER E.C.N. 5823 APP'D Billham
4	EBA	2-17-77	REVISED PER E.C.N. 6370 APP'D Billham

WANG PART NO.	ITEM	QTY.	NAME	MATERIAL	DESCRIPTION
			<b>WANG</b> LABORATORIES, INC. TEWKSBURY, MASS. U.S.A.		
			MODEL NO. 2231		
			SEE ENGR SPECIFICATIONS No.		
			TOL. EX. AS NOTED .XX ± 010 FRAC ± 1/64 .XXX ± .005 ANG ± 1'30" FINISH		
			SCALE SHT 4 OF 5		
				BY DWN DATE 1-19-76 APPROVED BY E ENGR DATE 1-17-76	
				CHK R.D. DATE 1-17-76 APPROVED BY M ENGR	
				E. C. CONTROL	MFG ENGR
				TITLE SCHEMATIC CONTROL PANEL KEYBOARD	
				SEE ABOVE	C 6762 4
				WANG PART NUMBER	SIZE DRAWING NUMBER REV

2969 C

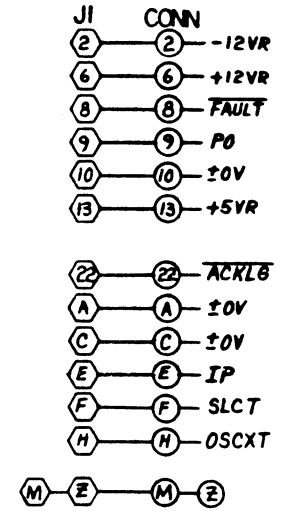
THIS DOCUMENT IS THE PROPERTY OF WANG LABORATORIES, INC. AND SHALL NOT BE REPRODUCED OR COPIED, OR USED AS A BASIS FOR THE MANUFACTURE OR SALE OF APPARATUS OR SERVICES WITHOUT PERMISSION.

HOLE LEGEND		
DRILL OR	HOLE DIA.	TOL.
DRILL	.015 to .125	±.001
PUNCHED HOLE	.125 to .250	±.002
TOLERANCES	.251 to .500	±.003



LOCATION	W.L. PART NO.	TERM. NO.	TERM. NO.
L1	376-0025	7	14
L2	376-0002	7	14
L3	376-0055	7	14
L4,5	376-0138	8	16

COMPONENT	W.L. PART NO.
R1-8,10	330-3010
R9	330-2047
R11	330-3022
R12	330-3047
D1-3	380-1001
C1,2	300-1911
C3,4	300-1903
C5	300-4022
C6	300-1911
J1	350-0022



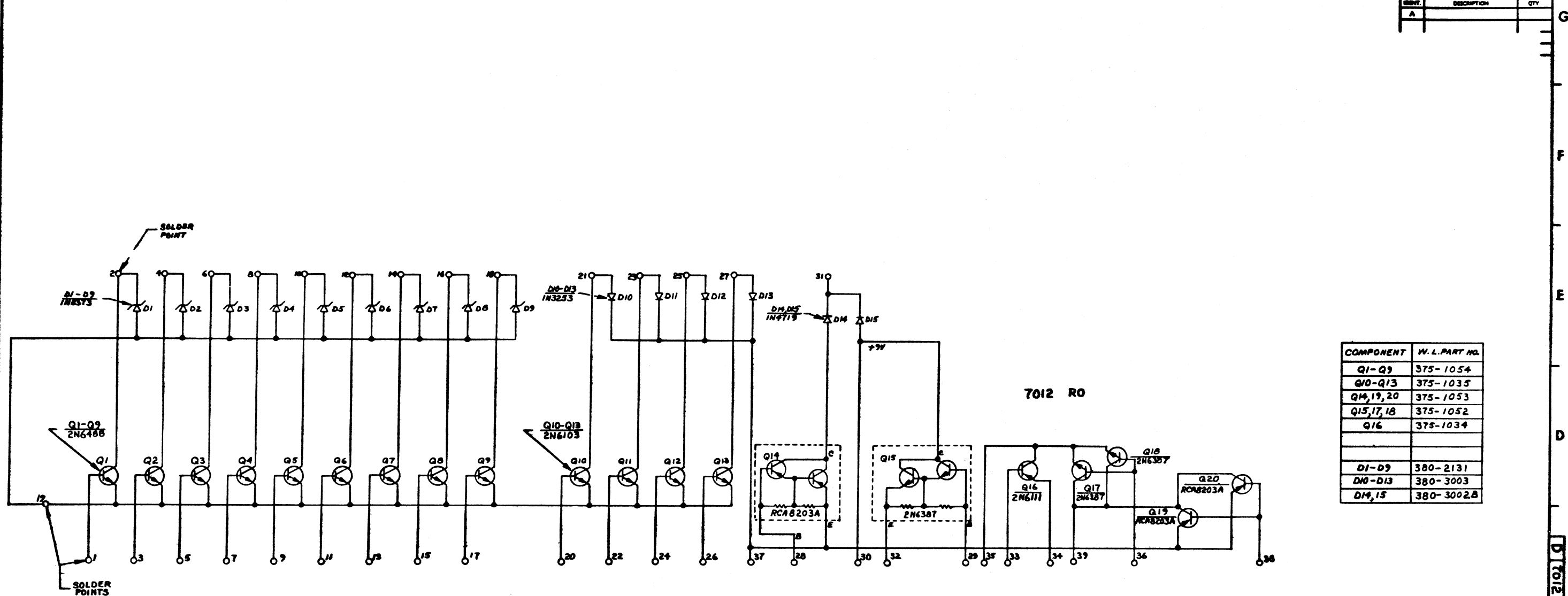
REV.	DATE	DESCRIPTION
1	7/27/75	REL. PER. MFA
2	7/27/75	REV. PER. MFA

WANG PART NO.	ITEM	QTY	NAME	MATERIAL	DESCRIPTION
210-6772	1		WANG LABORATORIES, INC. TEMPORARY MADE U.S.A.		
			MODEL NO. 2221-W		
			TITLE SCHEMATIC LOGIBLOC QUICK RELEASE		
			210-6772	D	6772
			WANG PART NUMBER	SIZE	DRAWING NUMBER

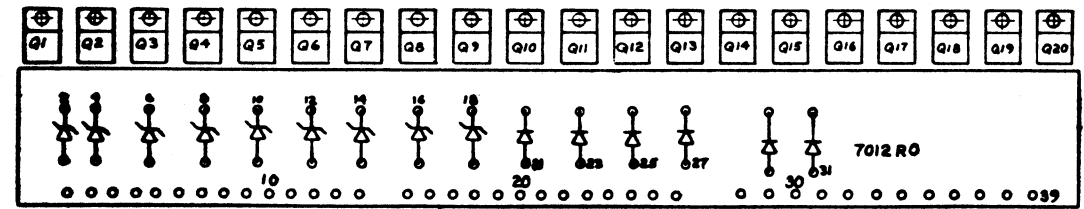
11 10 9 8 7 6 5 4 3 2 1

THIS DOCUMENT IS THE PROPERTY OF WANG LABORATORIES, INC. AND SHALL NOT BE REPRODUCED OR COPIED OR USED AS A BASIS FOR THE MANUFACTURE OR SALE OF APPARATUS OR SERVICES WITHOUT PERMISSION.

HOLE LEGEND		
DILLED OR	HOLE DIA	TOL
PUNCHED HOLE	0125 to 125	± .02
TELETYPE	126 to 250	± .03
	251 to 500	± .04
REV.	DESCRIPTION	QTY
A		



COMPONENT	W. L. PART NO.
Q1-Q9	375-1054
Q10-Q13	375-1035
Q14, 19, 20	375-1053
Q15, 17, 18	375-1052
Q16	375-1034
D1-D9	380-2131
D10-D13	380-3003
D14, 15	380-3002B



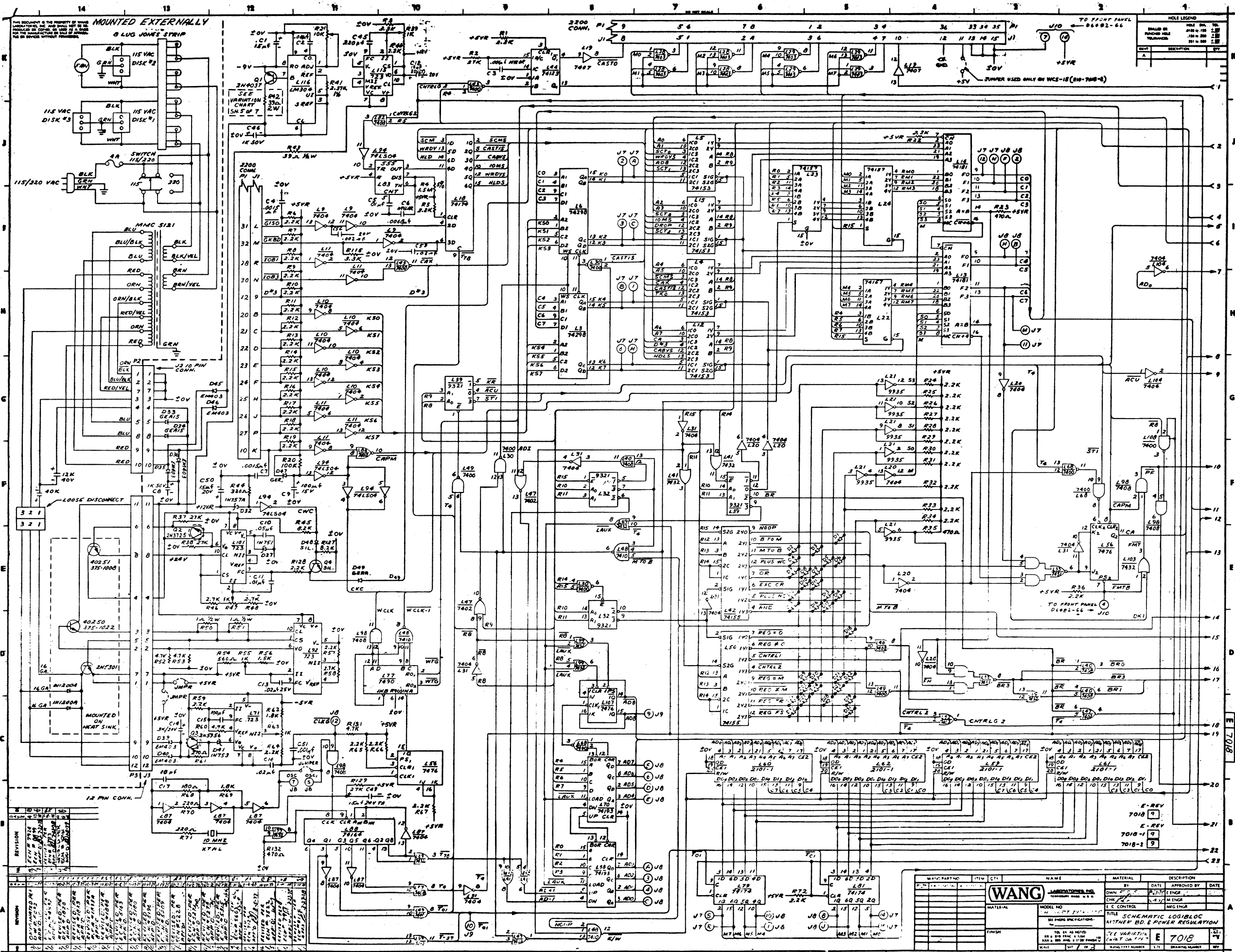
DEC 07 1978

E-REV  
0

REVISION  
1  
2  
3  
4  
5  
6  
7  
8  
9  
10  
11  
12  
13  
14  
15  
16  
17  
18  
19  
20  
21  
22  
23  
24  
25  
26  
27  
28  
29  
30  
31  
32  
33  
34  
35  
36  
37  
38  
39  
40  
41  
42  
43  
44  
45  
46  
47  
48  
49  
50  
51  
52  
53  
54  
55  
56  
57  
58  
59  
60  
61  
62  
63  
64  
65  
66  
67  
68  
69  
70  
71  
72  
73  
74  
75  
76  
77  
78  
79  
80  
81  
82  
83  
84  
85  
86  
87  
88  
89  
90  
91  
92  
93  
94  
95  
96  
97  
98  
99  
100  
101  
102  
103  
104  
105  
106  
107  
108  
109  
110  
111  
112  
113  
114  
115  
116  
117  
118  
119  
120  
121  
122  
123  
124  
125  
126  
127  
128  
129  
130  
131  
132  
133  
134  
135  
136  
137  
138  
139  
140  
141  
142  
143  
144  
145  
146  
147  
148  
149  
150  
151  
152  
153  
154  
155  
156  
157  
158  
159  
160  
161  
162  
163  
164  
165  
166  
167  
168  
169  
170  
171  
172  
173  
174  
175  
176  
177  
178  
179  
180  
181  
182  
183  
184  
185  
186  
187  
188  
189  
190  
191  
192  
193  
194  
195  
196  
197  
198  
199  
200  
201  
202  
203  
204  
205  
206  
207  
208  
209  
210  
211  
212  
213  
214  
215  
216  
217  
218  
219  
220  
221  
222  
223  
224  
225  
226  
227  
228  
229  
230  
231  
232  
233  
234  
235  
236  
237  
238  
239  
240  
241  
242  
243  
244  
245  
246  
247  
248  
249  
250  
251  
252  
253  
254  
255  
256  
257  
258  
259  
260  
261  
262  
263  
264  
265  
266  
267  
268  
269  
270  
271  
272  
273  
274  
275  
276  
277  
278  
279  
280  
281  
282  
283  
284  
285  
286  
287  
288  
289  
290  
291  
292  
293  
294  
295  
296  
297  
298  
299  
300  
301  
302  
303  
304  
305  
306  
307  
308  
309  
310  
311  
312  
313  
314  
315  
316  
317  
318  
319  
320  
321  
322  
323  
324  
325  
326  
327  
328  
329  
330  
331  
332  
333  
334  
335  
336  
337  
338  
339  
340  
341  
342  
343  
344  
345  
346  
347  
348  
349  
350  
351  
352  
353  
354  
355  
356  
357  
358  
359  
360  
361  
362  
363  
364  
365  
366  
367  
368  
369  
370  
371  
372  
373  
374  
375  
376  
377  
378  
379  
380  
381  
382  
383  
384  
385  
386  
387  
388  
389  
390  
391  
392  
393  
394  
395  
396  
397  
398  
399  
400  
401  
402  
403  
404  
405  
406  
407  
408  
409  
410  
411  
412  
413  
414  
415  
416  
417  
418  
419  
420  
421  
422  
423  
424  
425  
426  
427  
428  
429  
430  
431  
432  
433  
434  
435  
436  
437  
438  
439  
440  
441  
442  
443  
444  
445  
446  
447  
448  
449  
450  
451  
452  
453  
454  
455  
456  
457  
458  
459  
460  
461  
462  
463  
464  
465  
466  
467  
468  
469  
470  
471  
472  
473  
474  
475  
476  
477  
478  
479  
480  
481  
482  
483  
484  
485  
486  
487  
488  
489  
490  
491  
492  
493  
494  
495  
496  
497  
498  
499  
500  
501  
502  
503  
504  
505  
506  
507  
508  
509  
510  
511  
512  
513  
514  
515  
516  
517  
518  
519  
520  
521  
522  
523  
524  
525  
526  
527  
528  
529  
530  
531  
532  
533  
534  
535  
536  
537  
538  
539  
540  
541  
542  
543  
544  
545  
546  
547  
548  
549  
550  
551  
552  
553  
554  
555  
556  
557  
558  
559  
560  
561  
562  
563  
564  
565  
566  
567  
568  
569  
570  
571  
572  
573  
574  
575  
576  
577  
578  
579  
580  
581  
582  
583  
584  
585  
586  
587  
588  
589  
590  
591  
592  
593  
594  
595  
596  
597  
598  
599  
600  
601  
602  
603  
604  
605  
606  
607  
608  
609  
610  
611  
612  
613  
614  
615  
616  
617  
618  
619  
620  
621  
622  
623  
624  
625  
626  
627  
628  
629  
630  
631  
632  
633  
634  
635  
636  
637  
638  
639  
640  
641  
642  
643  
644  
645  
646  
647  
648  
649  
650  
651  
652  
653  
654  
655  
656  
657  
658  
659  
660  
661  
662  
663  
664  
665  
666  
667  
668  
669  
670  
671  
672  
673  
674  
675  
676  
677  
678  
679  
680  
681  
682  
683  
684  
685  
686  
687  
688  
689  
690  
691  
692  
693  
694  
695  
696  
697  
698  
699  
700  
701  
702  
703  
704  
705  
706  
707  
708  
709  
710  
711  
712  
713  
714  
715  
716  
717  
718  
719  
720  
721  
722  
723  
724  
725  
726  
727  
728  
729  
730  
731  
732  
733  
734  
735  
736  
737  
738  
739  
740  
741  
742  
743  
744  
745  
746  
747  
748  
749  
750  
751  
752  
753  
754  
755  
756  
757  
758  
759  
760  
761  
762  
763  
764  
765  
766  
767  
768  
769  
770  
771  
772  
773  
774  
775  
776  
777  
778  
779  
780  
781  
782  
783  
784  
785  
786  
787  
788  
789  
790  
791  
792  
793  
794  
795  
796  
797  
798  
799  
800  
801  
802  
803  
804  
805  
806  
807  
808  
809  
810  
811  
812  
813  
814  
815  
816  
817  
818  
819  
820  
821  
822  
823  
824  
825  
826  
827  
828  
829  
830  
831  
832  
833  
834  
835  
836  
837  
838  
839  
840  
841  
842  
843  
844  
845  
846  
847  
848  
849  
850  
851  
852  
853  
854  
855  
856  
857  
858  
859  
860  
861  
862  
863  
864  
865  
866  
867  
868  
869  
870  
871  
872  
873  
874  
875  
876  
877  
878  
879  
880  
881  
882  
883  
884  
885  
886  
887  
888  
889  
890  
891  
892  
893  
894  
895  
896  
897  
898  
899  
900  
901  
902  
903  
904  
905  
906  
907  
908  
909  
910  
911  
912  
913  
914  
915  
916  
917  
918  
919  
920  
921  
922  
923  
924  
925  
926  
927  
928  
929  
930  
931  
932  
933  
934  
935  
936  
937  
938  
939  
940  
941  
942  
943  
944  
945  
946  
947  
948  
949  
950  
951  
952  
953  
954  
955  
956  
957  
958  
959  
960  
961  
962  
963  
964  
965  
966  
967  
968  
969  
970  
971  
972  
973  
974  
975  
976  
977  
978  
979  
980  
981  
982  
983  
984  
985  
986  
987  
988  
989  
990  
991  
992  
993  
994  
995  
996  
997  
998  
999  
1000

WANG PART NO.	ITEM	QTY	NAME	MATERIAL	DESCRIPTION
72			WANG LABORATORIES, INC. TEMSBURY MASS. U.S.A.		
			MODEL NO. 72		
			TOL. EX. AS NOTED X1 ± 0.10 PLAC ± 1/16 X20 ± 0.005 ANG ± 1° 30' FINISH V		
			SCALE 1/8" = 1"		
			SHT 4 OF 5		
			TITLE SCHEMATIC LOGIBLOC POWER TRANSISTOR BOARD		
			210-7012	D	7012
			WANG PART NUMBER	SIZE	DRAWING NUMBER
					REV





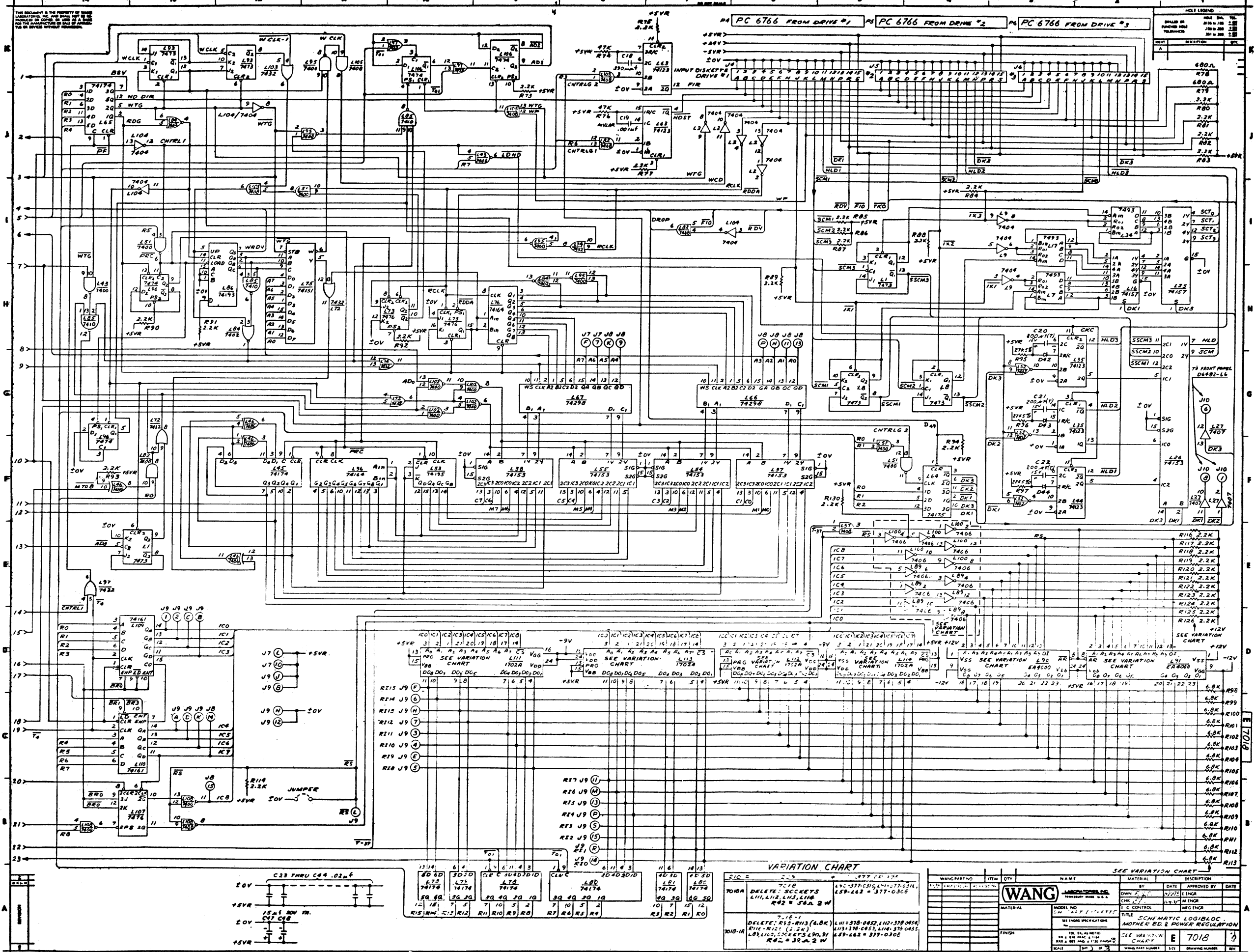
REV.	DESCRIPTION	DATE
1	ISSUED FOR FABRICATION	10/15/68
2	REVISION	11/10/68
3	REVISION	12/15/68

REV.	DESCRIPTION	DATE
1	ISSUED FOR FABRICATION	10/15/68
2	REVISION	11/10/68
3	REVISION	12/15/68

REV.	DESCRIPTION	DATE
1	ISSUED FOR FABRICATION	10/15/68
2	REVISION	11/10/68
3	REVISION	12/15/68

**WANG**

LABORATORIES, INC.  
 TITLE: SCHEMATIC LOGIC BOARD  
 DATE: 10/15/68  
 DRAWING NUMBER: 7018-1-9



THIS DOCUMENT IS THE PROPERTY OF WANG LABORATORIES, INC. AND SHALL BE RETURNED TO THE ORIGINATOR UPON REQUEST. NO PART OF THIS DOCUMENT IS TO BE REPRODUCED OR TRANSMITTED IN ANY FORM OR BY ANY MEANS WITHOUT PERMISSION.

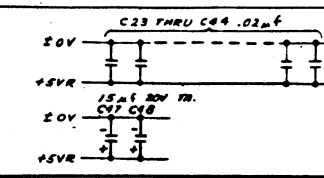
REV.	DATE	DESCRIPTION
1	11/18/68	INITIAL
2	12/10/68	REVISION
3	1/10/69	REVISION
4	2/10/69	REVISION

**VARIATION CHART**

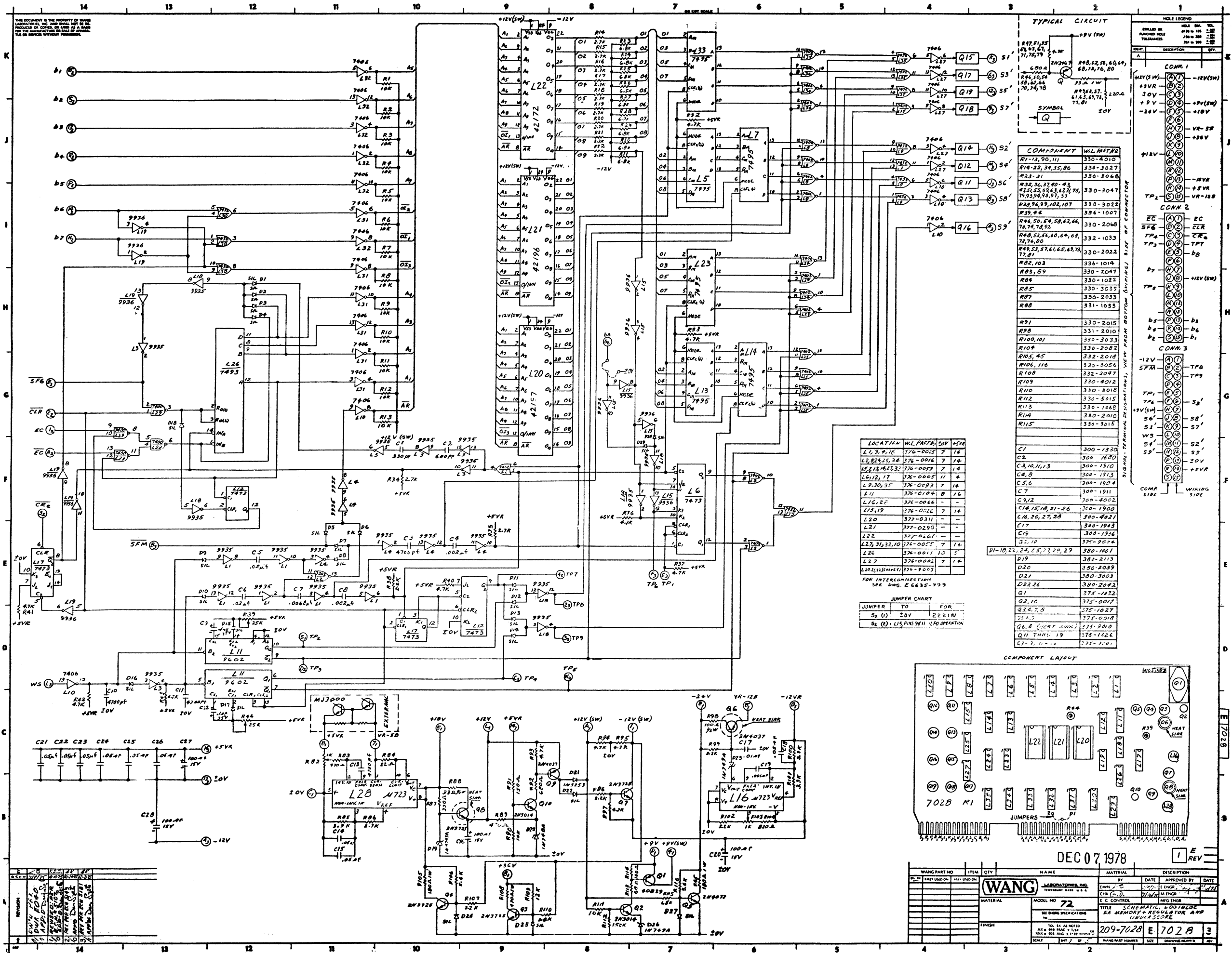
ITEM	DESCRIPTION	DATE	BY
1	DELETE: R15, R16 (6.0K)	11/18/68	WANG
2	R15, R16 (6.0K)	12/10/68	WANG
3	R15, R16 (6.0K)	1/10/69	WANG
4	R15, R16 (6.0K)	2/10/69	WANG



WANG PART NO.	ITEM	QTY	NAME	MATERIAL	DESCRIPTION
7018A	DELETE: SCHEMATIC	1	SCHEMATIC LOGIC BLOC		
7018A	DELETE: R15, R16 (6.0K)	1	MOTHER BD & POWER REGULATION		







THIS DOCUMENT IS THE PROPERTY OF WANG LABORATORIES, INC. AND SHALL NOT BE REPRODUCED OR COPIED, IN WHOLE OR IN PART, FOR THE MANUFACTURE OR SALE OF ANY MACHINE OR INSTRUMENT WITHOUT PERMISSION.

**MATERIAL**

QTY	DESCRIPTION	QTY
1	7406	1
1	7407	1
1	9935	1
1	9936	1

**WANG LABORATORIES, INC.**  
 MODEL NO. 72  
 TITLE: SCHEMATIC, LOGIC/REGULATOR MEMORY REGULATOR AND LINEAR SCORE  
 DATE: 12/07/78  
 DRAWING NUMBER: E 7028 3

**COMPONENT**

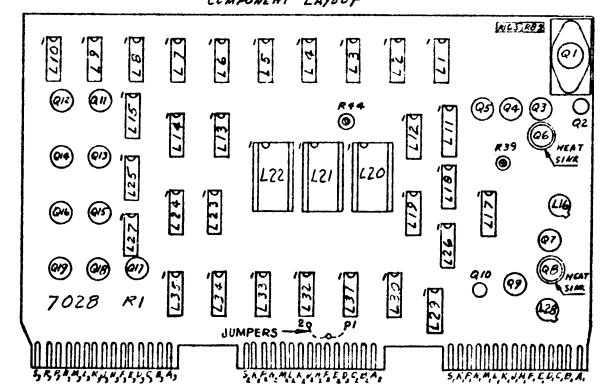
LOC.	W.L. PART NO.	QTY
R1-13, 90, 111	330-4010	1
R14-22, 34, 35, 86	330-3027	1
R23-31	330-3068	1
R32, 36, 37, 40-43	330-3047	1
R44, 55, 58, 63, 67, 75, 78, 83, 84, 87, 89, 93	330-3022	1
R20, 96, 99, 102, 107	330-3022	1
R39, 46	336-1007	1
R44, 50, 54, 58, 62, 66, 70, 74, 78, 82	330-2068	1
R48, 52, 54, 60, 64, 68, 72, 76, 80	332-1033	1
R49, 53, 57, 61, 65, 69, 73, 77, 81	330-2022	1
R82, 103	336-1014	1
R83, 69	330-2047	1
R84	330-1022	1
R85	330-3035	1
R87	330-2033	1
R88	331-1033	1
R91	330-2015	1
R98	331-2010	1
R100, 101	330-3033	1
R104	330-2082	1
R105, 45	332-2018	1
R106, 116	330-3056	1
R108	332-2097	1
R109	330-4012	1
R110	330-3018	1
R112	330-5015	1
R113	330-1068	1
R114	330-2010	1
R115	330-3015	1

**LOC. PART NO. QTY**

L1, 3, 4, 15	376-0025	7
L2, 8, 24, 25, 34	376-0016	7
L3, 13, 16, 18, 33	376-0057	7
L4, 12, 17	376-0005	11
L9, 20, 35	376-0097	7
L11	376-0104	8
L16, 20	376-0066	-
L15, 19	376-0026	7
L20	377-0311	-
L21	377-0290	-
L22	377-0261	-
L27, 31, 32, 10	376-0055	7
L26	376-0011	10
L29	376-0002	7
L28, 23, 26, 27, 28	376-0011	10
L29	376-0002	7
L28, 23, 26, 27, 28	376-0011	10

**JUMPER CHART**

JUMPER	TO	FOR
52 (1)	20V	2221W
52 (2)	L15, 19, 31, 35	L10 OPERATION



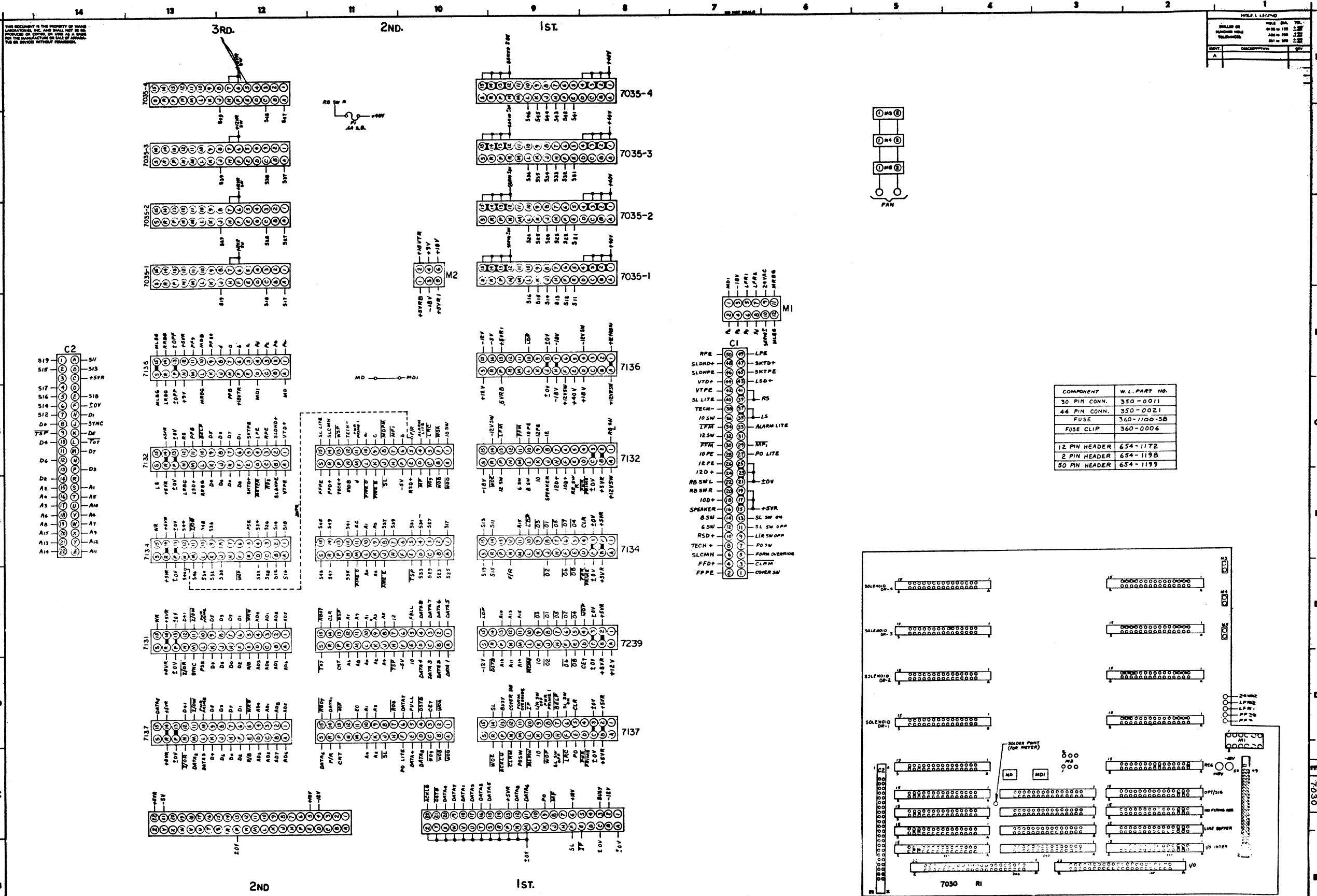
**WANG LABORATORIES, INC.**

WANG PART NO.	ITEM	QTY	NAME	MATERIAL	DATE	DESCRIPTION
72						

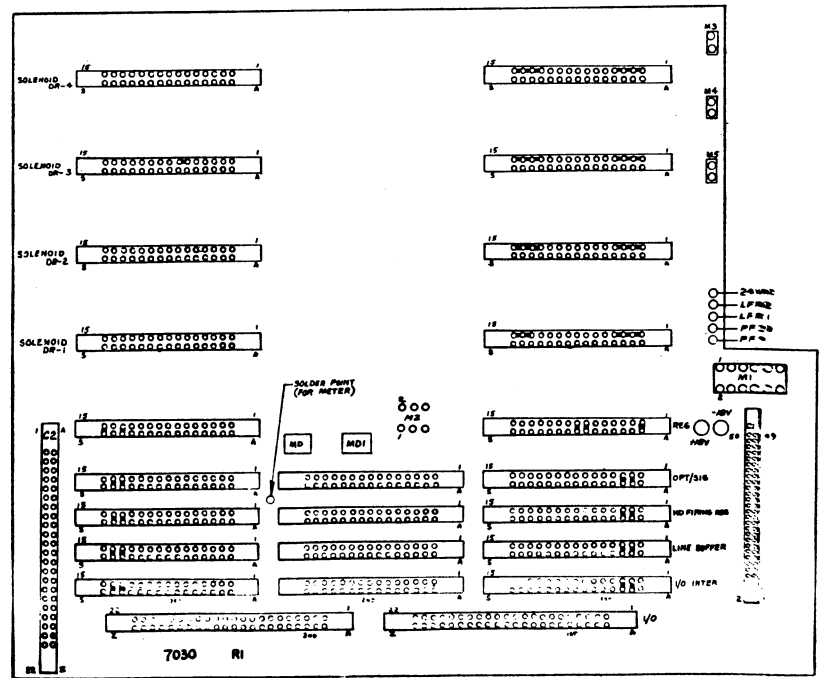
DATE: DEC 07 1978  
 DRAWING NUMBER: E 7028 3

THIS DOCUMENT IS THE PROPERTY OF WANG LABORATORIES, INC. AND SHALL NOT BE REPRODUCED OR TRANSMITTED IN ANY FORM OR BY ANY MEANS, ELECTRONIC OR MECHANICAL, INCLUDING PHOTOCOPYING, RECORDING, OR BY ANY INFORMATION STORAGE AND RETRIEVAL SYSTEM, WITHOUT PERMISSION IN WRITING FROM WANG LABORATORIES, INC.

WANG LABORATORIES, INC.	
DATE	REV
10/11/77	1
11/17/77	2
12/14/77	3
1/11/78	4
2/8/78	5
3/7/78	6
4/4/78	7
5/2/78	8
6/1/78	9
7/1/78	10
8/1/78	11
9/1/78	12
10/1/78	13
11/1/78	14



COMPONENT	W.L. PART NO.
30 PIN CONN.	350-0011
44 PIN CONN.	350-0021
FUSE	360-1100-5B
FUSE CLIP	360-0006
12 PIN HEADER	654-1112
2 PIN HEADER	654-1118
50 PIN HEADER	654-1119

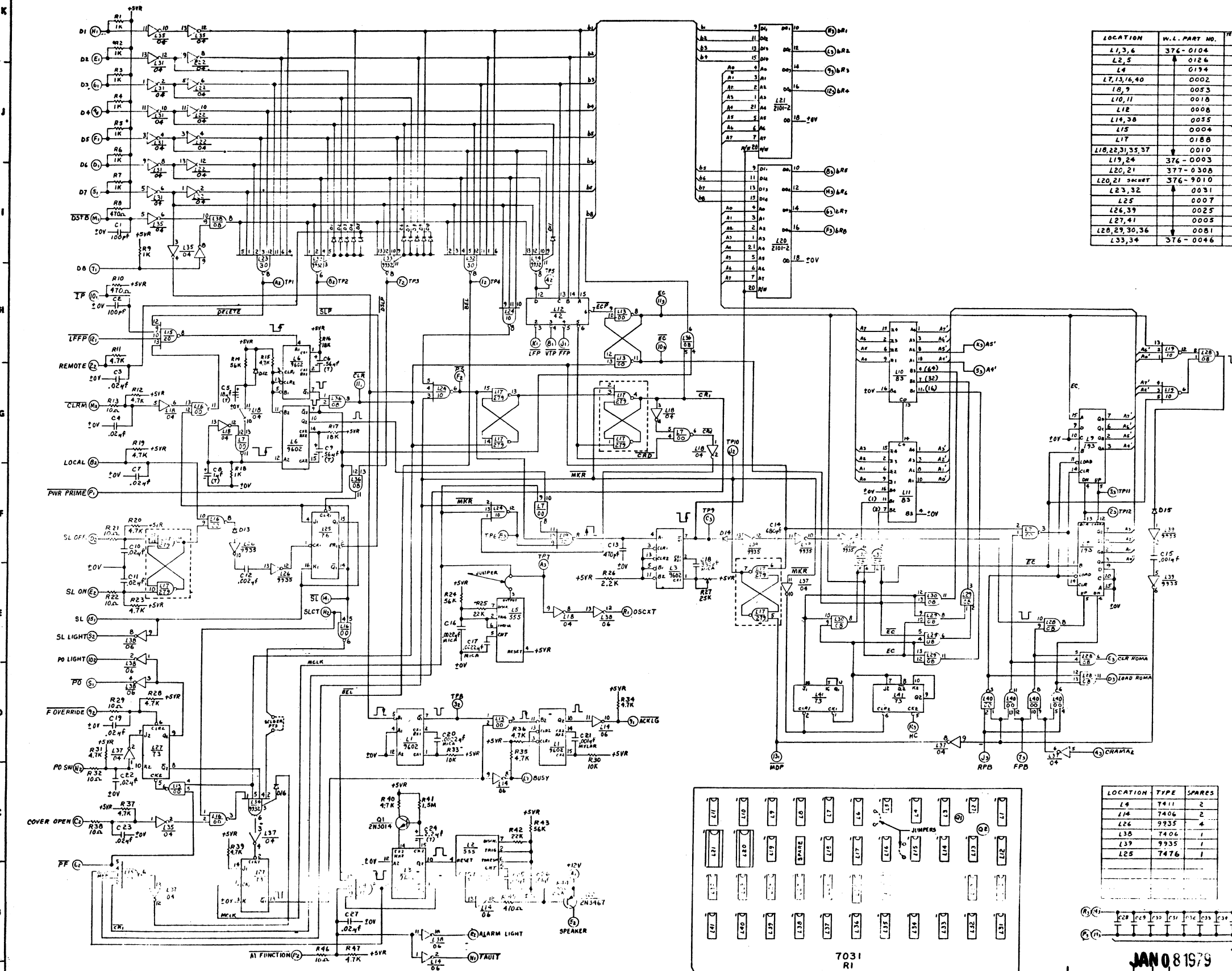


WANG PART NO.		ITEM	QTY	NAME	MATERIAL	DESCRIPTION
FIRST USED ON		ADJ USED ON				
DATE		DATE				
BY		APPROVED BY				
CHK		ENGR				
E.C. CONTROL		MGR				
TITLE						
MODEL NO. 77						
FINISH						
SCALE 1/8" = 1"						
WANG PART NUMBER		SIZE	DRAWING NUMBER	REV.		
210-7030		E 7030	6			

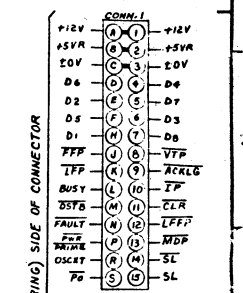
REV	DATE	BY	DESCRIPTION
1	10/11/77	...	...
2	11/17/77	...	...
3	12/14/77	...	...
4	1/11/78	...	...
5	2/8/78	...	...
6	3/7/78	...	...
7	4/4/78	...	...
8	5/2/78	...	...
9	6/1/78	...	...
10	7/1/78	...	...
11	8/1/78	...	...
12	9/1/78	...	...
13	10/1/78	...	...
14	11/1/78	...	...

THIS DOCUMENT IS THE PROPERTY OF WANG  
 LABORATORIES, INC. AND SHALL NOT BE REPRODUCED  
 OR COPIED, OR USED IN ANY MANNER, WITHOUT THE  
 WRITTEN PERMISSION OF WANG LABORATORIES, INC.

HOLE NO.	SIZE	TOL.
110 - 120	1/16"	±.005
120 - 200	1/8"	±.005
200 - 300	3/16"	±.005
300 - 500	1/4"	±.005

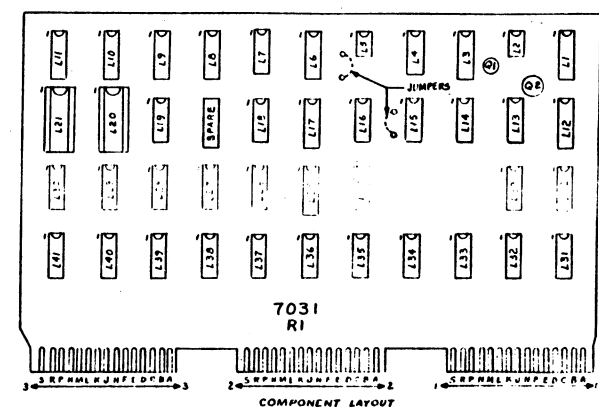


LOCATION	W.L. PART NO.	QTY	TERM. NO.	TERM. NO.
L1,3,6	376-0104	8	16	16
L2,5	0126	1	8	8
L4	0194	7	14	14
L7,13,16,40	0002	7	14	14
L8,9	0053	8	16	16
L10,11	0018	12	5	5
L12	0008	8	16	16
L14,38	0055	7	14	14
L15	0004	7	14	14
L17	0188	8	16	16
L18,22,31,35,37	0010	7	14	14
L19,24	376-0003	7	14	14
L20,21	377-0308	8	22	22
L20,21 SOCKET	376-9010	8	22	22
L23,32	0031	7	14	14
L25	0007	13	5	5
L26,39	0025	7	14	14
L27,41	0005	11	4	4
L28,29,30,36	0081	7	14	14
L33,34	376-0046	7	14	14



COMPONENT	W.L. PART NO.
R1-7,9,18	330-3010
R8,10,45	2047
R11,12,13,15,23,23,28,36,31,34,34,37,39,40,41	3047
R13,21,22,29,33,38,46	1010
R14,24,43	4056
R16,17	4018
R25,42	4022
R26,44	330-3022
REL-7	336-1007
R20,33	330-4010
441	377-6015
C1,2	300-1100
C3,4,7,10,11,19,22,23,27	1904
C5	4018
C6,9	4010
C8	4000
C12	1913
C13	1470
C14	1680
C15	1906
C16,17,20	5012
C18	5007
C21	2010
C24	4023
C25,26,28,30	1903
C39,40	300-4022
D1-16	380-1001
Q1	375-0017
Q2	375-1026
Q3	375-2004
Q4	375-9001

LOCATION	TYPE	SPARES
L4	T411	2
L14	T406	2
L26	9935	4
L38	T406	1
L39	9935	1
L25	T476	1



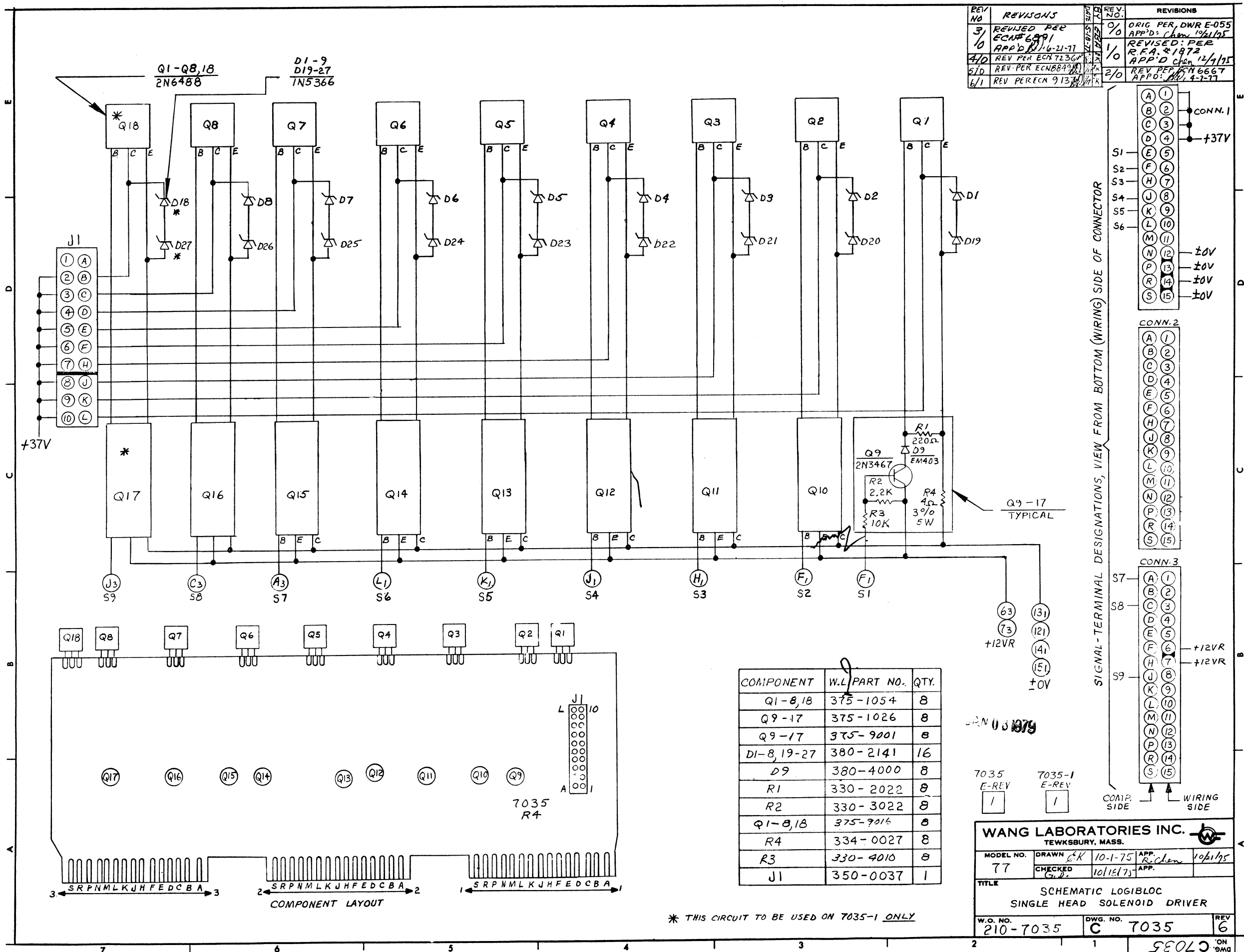
**JAN 08 1979**

WANG PART NO.	ITEM	QTY	NAME	MATERIAL	DATE	DESCRIPTION
7031	1	1	7031 RI			

**WANG LABORATORIES, INC.**  
 MODEL NO. A1D77  
 TITLE: TD CONTROL & DATA STORAGE  
 WANG PART NUMBER: 210-7031 E 7031 0

REVISION	DATE	DESCRIPTION
1		ISSUED FOR MANUFACTURE

REV. NO.	REVISIONS	REV. NO.	REVISIONS
3/0	REVISED PER ECN# 6991 APP'D 1/16/71	0/0	ORIG. PER. DWR E-055 APP'D: Chem 10/1/75
4/0	REV PER ECN 7236	1/0	REVISED PER R.F.A. #1872 APP'D Chem 12/9/75
5/0	REV PER ECN 8849	2/0	REV PER ECN 6667 APP'D: Chem 4-1-77
6/1	REV PER ECN 913		



COMPONENT	W.L. PART NO.	QTY.
Q1-8,18	375-1054	8
Q9-17	375-1026	8
Q9-17	375-9001	8
D1-8,19-27	380-2141	16
D9	380-4000	8
R1	330-2022	8
R2	330-3022	8
Q1-8,18	375-9016	8
R4	334-0027	8
R3	330-4010	8
J1	350-0037	1

JAN 03 1979

7035 E-REV 1  
7035-1 E-REV 1

**WANG LABORATORIES INC.**  
TEWKSBURY, MASS.

MODEL NO. 77  
DRAWN C.K. 10-1-75  
CHECKED G.P. 10/16/75

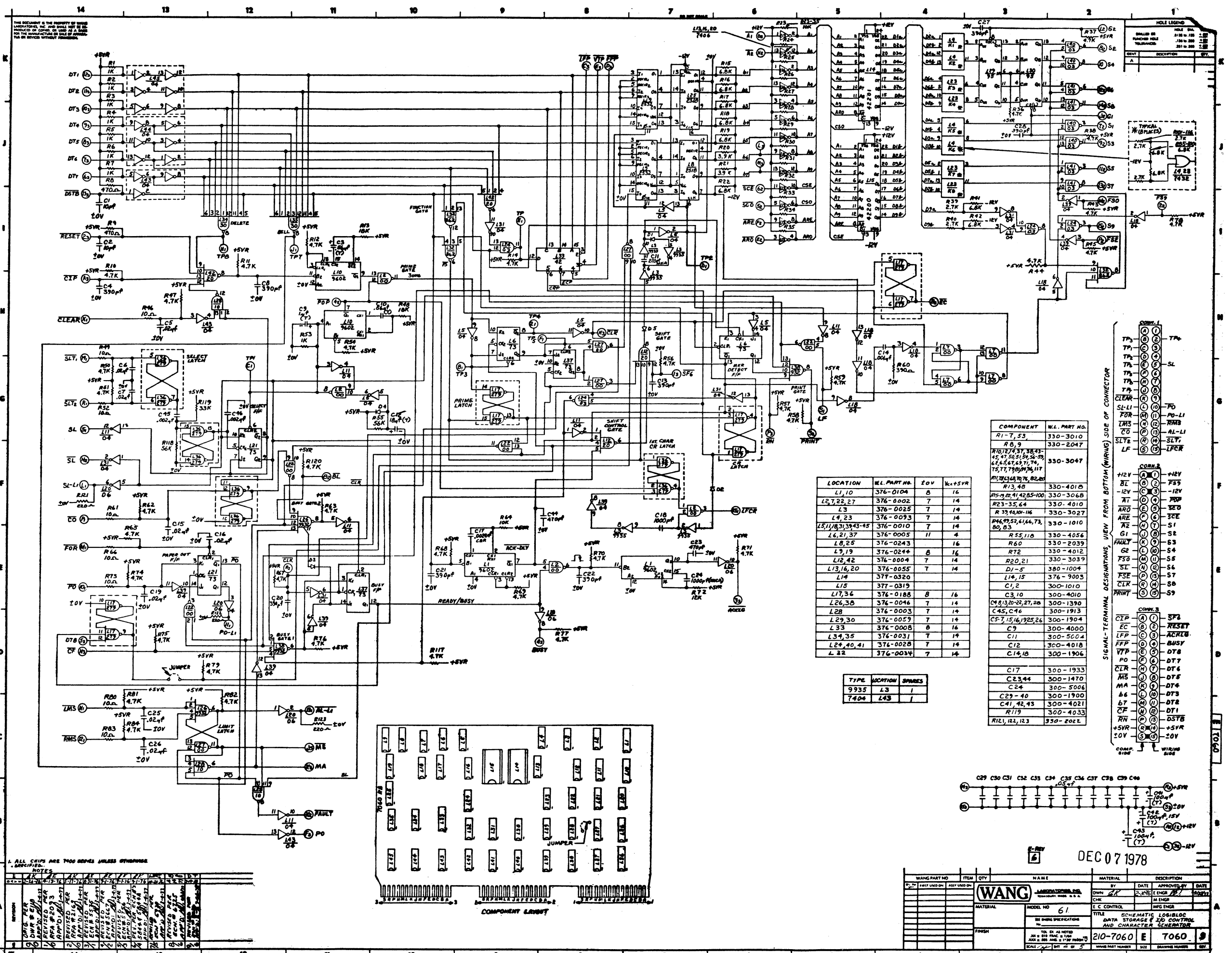
APP. R. Chem 10/6/75  
APP.

TITLE: SCHEMATIC LOGIBLOC SINGLE HEAD SOLENOID DRIVER

W.O. NO. 210-7035  
DWG. NO. C 7035  
REV 6

\* THIS CIRCUIT TO BE USED ON 7035-1 ONLY

ON 7035



THIS DOCUMENT IS THE PROPERTY OF WANG LABORATORIES, INC. AND SHALL BE LOANED TO YOU BY THE MANUFACTURER OR SALES AGENT FOR YOUR USE ONLY. IT IS NOT TO BE REPRODUCED OR TRANSMITTED IN ANY FORM OR BY ANY MEANS WITHOUT PERMISSION.

1. ALL CHIPS ARE 7060 SERIES UNLESS OTHERWISE SPECIFIED.

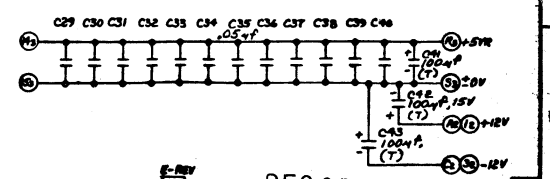
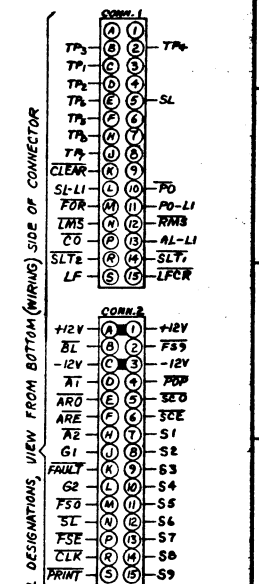
NOTES

NO.	REVISION	DESCRIPTION
1	REVISED PER	...
2	REVISED PER	...
3	REVISED PER	...
4	REVISED PER	...
5	REVISED PER	...
6	REVISED PER	...
7	REVISED PER	...
8	REVISED PER	...
9	REVISED PER	...
10	REVISED PER	...
11	REVISED PER	...
12	REVISED PER	...
13	REVISED PER	...
14	REVISED PER	...

LOCATION	W.L. PART NO.	20V	W+5VR
L1, 10	376-0104	8	16
L2, 22, 27	376-0002	7	14
L3	376-0025	7	14
L4, 23	376-0093	7	14
L5, 11, 13, 39, 43-45	376-0010	7	14
L6, 21, 37	376-0005	11	4
L8, 25	376-0243	16	
L9, 19	376-0244	8	16
L12, 42	376-0004	7	14
L13, 16, 20	376-0055	7	14
L14	377-0320		
L15	377-0319		
L17, 36	376-0188	8	16
L26, 38	376-0046	7	14
L28	376-0003	7	14
L29, 30	376-0057	7	14
L33	376-0008	8	16
L34, 35	376-0031	7	14
L24, 40, 41	376-0028	7	14
L 22	376-0034	7	14

TYPE	LOCATION	SPARES
9935	L3	1
7404	L43	1

COMPONENT	W.L. PART NO.
R1-7, 53	330-3010
R 8, 9	330-2047
R10, 13, 14, 15, 16, 17, 18, 19, 20, 21, 22, 23, 24, 25, 26, 27, 28, 29, 30, 31, 32, 33, 34, 35, 36, 37, 38, 39, 40, 41, 42, 43, 44, 45, 46, 47, 48, 49, 50, 51, 52, 53, 54, 55, 56, 57, 58, 59, 60, 61, 62, 63, 64, 65, 66, 67, 68, 69, 70, 71, 72, 73, 74, 75, 76, 77, 78, 79, 80, 81, 82, 83, 84, 85, 86, 87, 88, 89, 90, 91, 92, 93, 94, 95, 96, 97, 98, 99, 100	330-3047
R101, 102, 103, 104, 105, 106, 107, 108, 109, 110, 111, 112, 113, 114, 115, 116, 117, 118, 119, 120, 121, 122, 123, 124, 125, 126, 127, 128, 129, 130, 131, 132, 133, 134, 135, 136, 137, 138, 139, 140, 141, 142, 143, 144, 145, 146, 147, 148, 149, 150, 151, 152, 153, 154, 155, 156, 157, 158, 159, 160, 161, 162, 163, 164, 165, 166, 167, 168, 169, 170, 171, 172, 173, 174, 175, 176, 177, 178, 179, 180, 181, 182, 183, 184, 185, 186, 187, 188, 189, 190, 191, 192, 193, 194, 195, 196, 197, 198, 199, 200	330-4010
R15, 16, 17, 18, 19, 20, 21, 22, 23, 24, 25, 26, 27, 28, 29, 30, 31, 32, 33, 34, 35, 36, 37, 38, 39, 40, 41, 42, 43, 44, 45, 46, 47, 48, 49, 50, 51, 52, 53, 54, 55, 56, 57, 58, 59, 60, 61, 62, 63, 64, 65, 66, 67, 68, 69, 70, 71, 72, 73, 74, 75, 76, 77, 78, 79, 80, 81, 82, 83, 84, 85, 86, 87, 88, 89, 90, 91, 92, 93, 94, 95, 96, 97, 98, 99, 100	330-3068
R23-35, 64	330-4010
R 39, 40, 41, 42, 43, 44, 45, 46, 47, 48, 49, 50, 51, 52, 53, 54, 55, 56, 57, 58, 59, 60, 61, 62, 63, 64, 65, 66, 67, 68, 69, 70, 71, 72, 73, 74, 75, 76, 77, 78, 79, 80, 81, 82, 83, 84, 85, 86, 87, 88, 89, 90, 91, 92, 93, 94, 95, 96, 97, 98, 99, 100	330-3027
R46, 47, 52, 61, 64, 73, 80, 83	330-1010
R 55, 118	330-4056
R60	330-2039
R72	330-4012
R20, 21	330-3039
D1-5	380-1004
L14, 15	376-9003
C1, 2	300-1010
C3, 10	300-4010
C9, 13, 20-23, 27, 28	300-1390
C45, C46	300-1913
C5-7, 15, 16, 19, 25, 26	300-1904
C9	300-4000
C11	300-5004
C12	300-4018
C14, 18	300-1906
C17	300-1933
C23, 44	300-1470
C24	300-5006
C29-40	300-1900
C41, 42, 43	300-4021
R119	300-4033
R121, 122, 123	330-2022

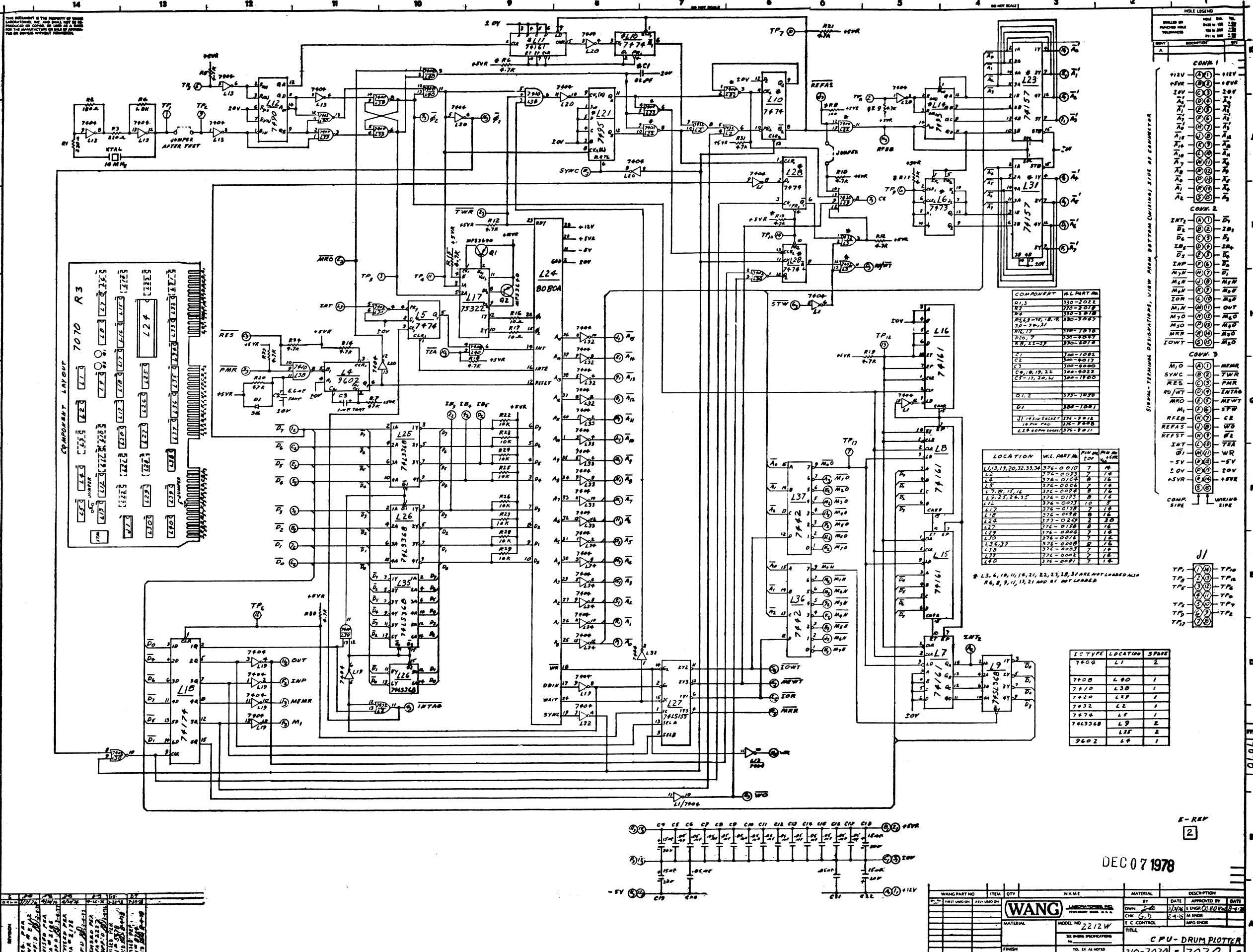


DEC 07 1978

WANG PART NO.	ITEM	QTY	NAME	MATERIAL	DATE	APPROVED BY	DATE
<b>WANG</b>							
MODEL NO. 61					TITLE: SCHEMATIC LOG/LOGIC DATA STORAGE & I/O CONTROL AND CHARACTER GENERATOR		
FINISH: 210-7060					SCALE: 1/8" = 1" (SEE DRAWING)		



THIS DRAWING IS THE PROPERTY OF WANG LABORATORIES, INC. AND SHALL BE USED ONLY FOR THE PURPOSES SPECIFIED THEREIN. THE MANUFACTURER SHALL BE RESPONSIBLE FOR THE REVISIONS TO THIS DRAWING. IT IS NOT TO BE REPRODUCED OR TRANSMITTED IN ANY FORM OR BY ANY MEANS, ELECTRONIC OR MECHANICAL, INCLUDING PHOTOCOPYING, RECORDING, OR BY ANY INFORMATION STORAGE AND RETRIEVAL SYSTEM, WITHOUT THE WRITTEN PERMISSION OF WANG LABORATORIES, INC.



HOLE	DESCRIPTION	SIZE
1	DRUM	1/4"
2	PLATE	1/8"
3	PLATE	1/8"
4	PLATE	1/8"
5	PLATE	1/8"

W.L.	PART No.
R1,3	330-1022
R2	330-2078
R3	330-2078
R4	330-2078
R5,8,19,23	330-3055
R6,9,24,25	330-3055
R7,17	330-2078
R10,7	330-2078
R11,12,22	330-2078
R12,21,26	330-2078
C1	330-1081
C2	330-2078
C3	330-2078
C4,10,19,23	330-2078
C5-7,11,20,24	330-2078
Q1,2	330-1081
D1	330-2078
J1	330-2078
J2	330-2078

LOCATION	W.L. PART No.	PIN No.	VALUE
L1,13,18,20,22,33,34	376-0010	7	1K
L2	376-0013	7	1K
L3	376-0126	8	1K
L4	376-0126	8	1K
L5	376-0126	8	1K
L6,14,15,16	376-0126	8	1K
L7,25,26,35	376-0123	8	1K
L8	376-0023	10	5
L9	376-0128	7	1K
L10	376-0018	7	1K
L11	376-0128	8	1K
L12	376-0028	8	1K
L13	376-0029	2	20
L14	376-0029	2	20
L15	376-0002	8	1K
L16	376-0016	7	1K
L17	376-0008	8	1K
L18	376-0002	7	1K
L19	376-0002	7	1K
L20	376-0002	7	1K

\* L3, 6, 10, 11, 14, 31, 22, 23, 28, 31 ARE NOT LOADED ALSO R6, 8, 9, 11, 13, 21 AND Q1 NOT LOADED

IC TYPE	LOCATION	SPARE
7400	L1	2
7400	L10	1
7410	L30	1
7420	L8	1
7432	L2	1
7474	L9	1
74LS368	L9	2
9602	L8	1

1	A1
2	A2
3	A3
4	A4
5	A5
6	A6
7	A7
8	A8
9	A9
10	A10
11	A11
12	A12
13	A13
14	A14
15	A15
16	A16
17	A17
18	A18
19	A19
20	A20
21	A21
22	A22
23	A23
24	A24
25	A25

1	A1
2	A2
3	A3
4	A4
5	A5
6	A6
7	A7
8	A8
9	A9
10	A10
11	A11
12	A12
13	A13
14	A14
15	A15
16	A16
17	A17
18	A18
19	A19
20	A20

1	A1
2	A2
3	A3
4	A4
5	A5
6	A6
7	A7
8	A8
9	A9
10	A10
11	A11
12	A12
13	A13
14	A14
15	A15
16	A16
17	A17
18	A18
19	A19
20	A20

1	A1
2	A2
3	A3
4	A4
5	A5
6	A6
7	A7
8	A8
9	A9
10	A10
11	A11
12	A12
13	A13
14	A14
15	A15
16	A16
17	A17
18	A18
19	A19
20	A20

DEC 07 1978

WANG PART NO.	ITEM	QTY	NAME	MATERIAL	DESCRIPTION
210-7070	IC	1	7400	376-0010	IC
210-7070	IC	1	7410	376-0126	IC
210-7070	IC	1	7420	376-0126	IC
210-7070	IC	1	7432	376-0029	IC
210-7070	IC	1	7474	376-0002	IC
210-7070	IC	2	74LS368	376-0002	IC
210-7070	IC	1	9602	376-0002	IC

DATE	BY	DATE	APPROVED BY	DATE
12/7/78	WANG	12/7/78	WANG	12/7/78

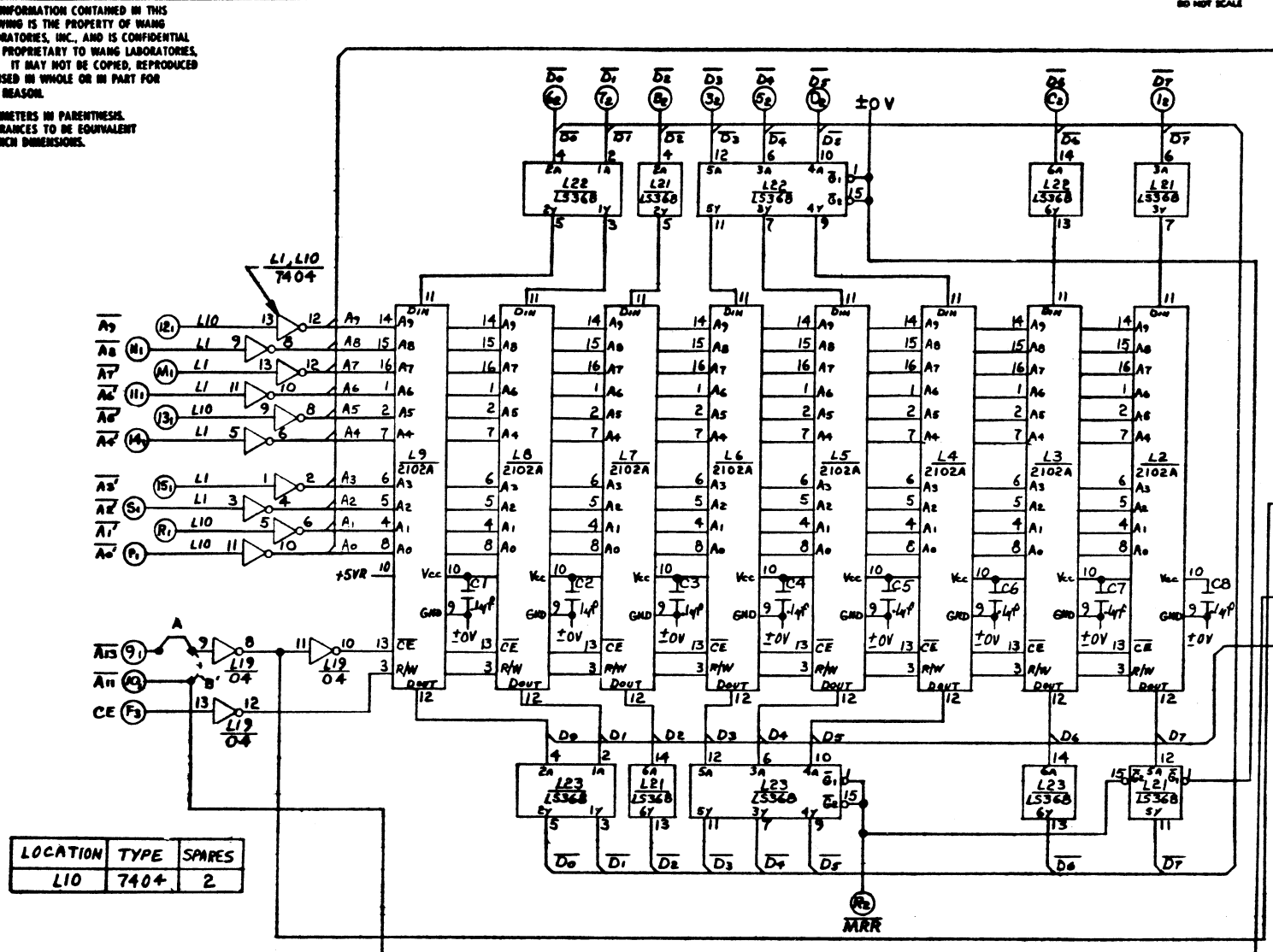
TITLE	SCALE
CPU-DRUM PLOTTER	1

THE INFORMATION CONTAINED IN THIS DRAWING IS THE PROPERTY OF WANG LABORATORIES, INC. AND IS CONFIDENTIAL AND PROPRIETARY TO WANG LABORATORIES, INC. IT MAY NOT BE COPIED, REPRODUCED OR USED IN WHOLE OR IN PART FOR ANY REASON.

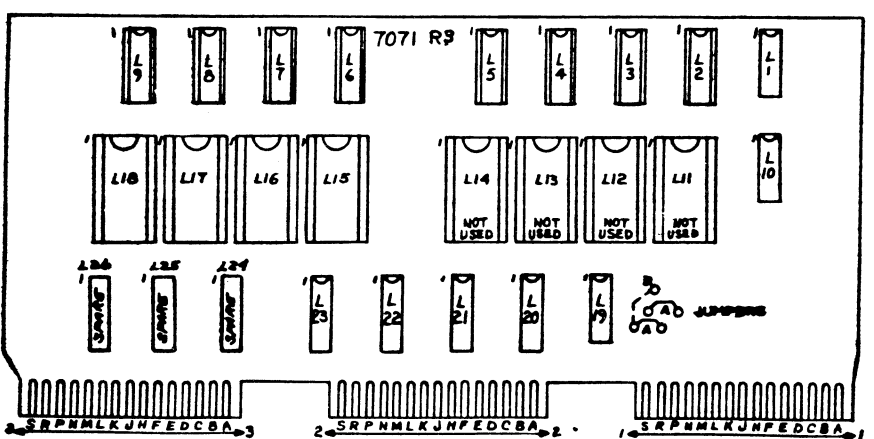
MILLIMETERS IN PARENTHESES. TOLERANCES TO BE EQUIVALENT TO INCH DIMENSIONS.

11 10 9 8 7 5 4 3 2 1

G  
F  
E  
C  
B  
A



LOCATION	TYPE	SPARES
L10	7404	2

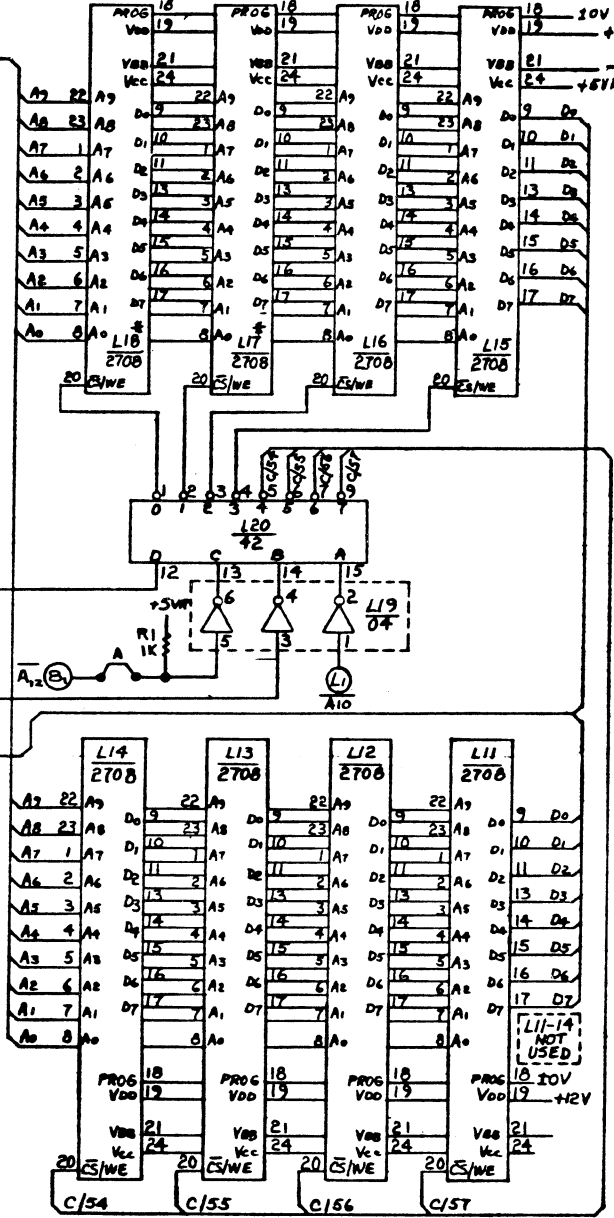


COMPONENT	W.L. PART NO.
C1-8	300-1930
C9,10,11	300-1900
C12,13,14	300-4018
C15	300-4017
R1	330-3010

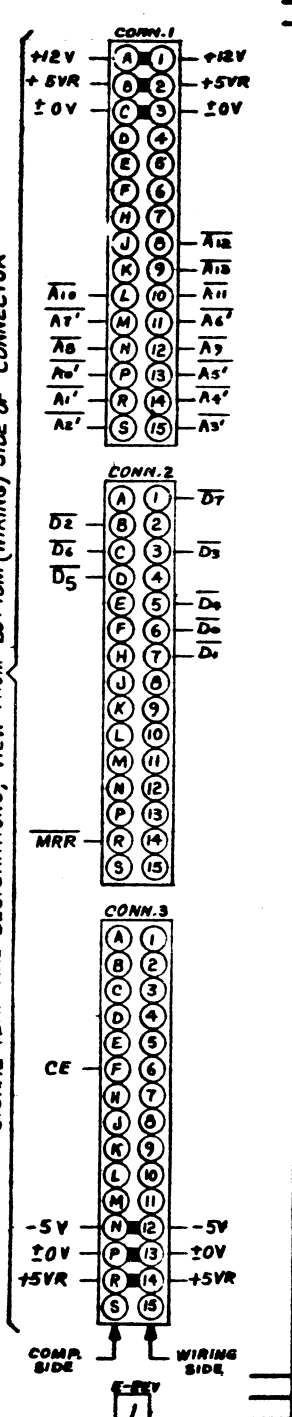
LOCATION	W.L. PART NO.	TERM. NO. ±0V	TERM. NO. Vcc+5V
L1,10,19	376-0010	7	14
L2-9	377-0069	9	10
L15-18		12	24
L20	376-0008	8	16
L21,22,23	376-0179	8	16

\* SEE SOFTWARE LOADING CHART



SOFTWARE LOADING CHART					
	L15	L16	L17	L18	L2-L9
ENGLISH 3 PER	378-2014-R7	378-2013-R6	378-2012-R6	378-2011-R6	377-0069
ENGLISH 1 PER	378-2023-R6	378-2022-R5	378-2021-R5	378-2020-R5	377-0069
METRIC 3 PER	378-2000-R7	378-2009-R6	378-2008-R6	378-2007-R6	377-0069
METRIC 1 PER	378-2019-R6	378-2018-R5	378-2017-R5	378-2016-R5	377-0069
METRIC 3 PER			378-2229	378-2228	377-0069

HOLE LEGEND & TOLERANCES		
SIZE	TOLERANCE	
.030 - .125	± .003 - .004	
.130 - .250	± .004 - .005	
.251 - .500	± .005 - .006	



JUMPERS	A	B
DEBUG USE	REMOVE	LOAD
NORMAL	LOAD	REMOVE

DEC 07 1978

REV.	DATE	BY	DESCRIPTION	QTY.	ITEM	WANG PART NO.	DRAWING NO.	DESCRIPTION	BY	DATE	APPROVED BY	DATE
1	4-8-76	DWN	LABORATORIES, INC. TEMPE, ARIZ. U.S.A.						G.D.	4-8-76	E ENGR SKH	4/8/76
2	4-20-76	CHK							G.D.	4/20/76	M ENGR	
3	9-28-76											
4	3-17-77											
5	5-21-77											
6	7-15-77											
7	7-15-77											
8	7-15-77											
9	7-15-77											
10	7-15-77											
11	7-15-77											

**WANG** LABORATORIES, INC. TEMPE, ARIZ. U.S.A.

MODEL NO. 2212W

SEE LOGIC SPECIFICATIONS

TITLE: SCHEMATIC LOGIBLOC RAM/PROM MEMORY

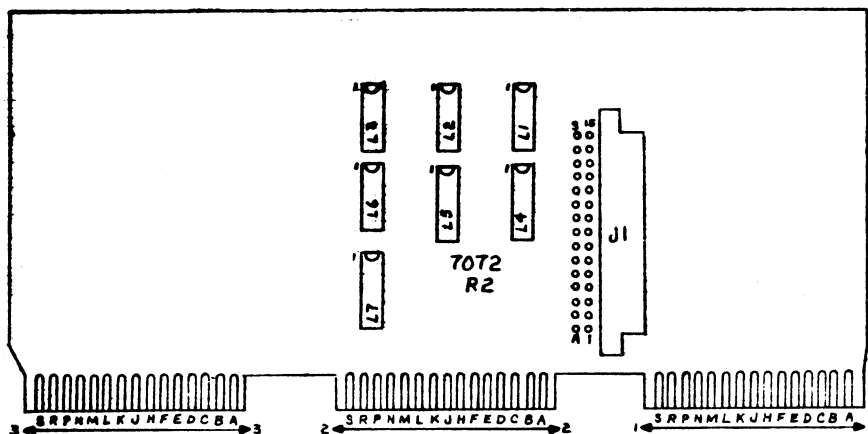
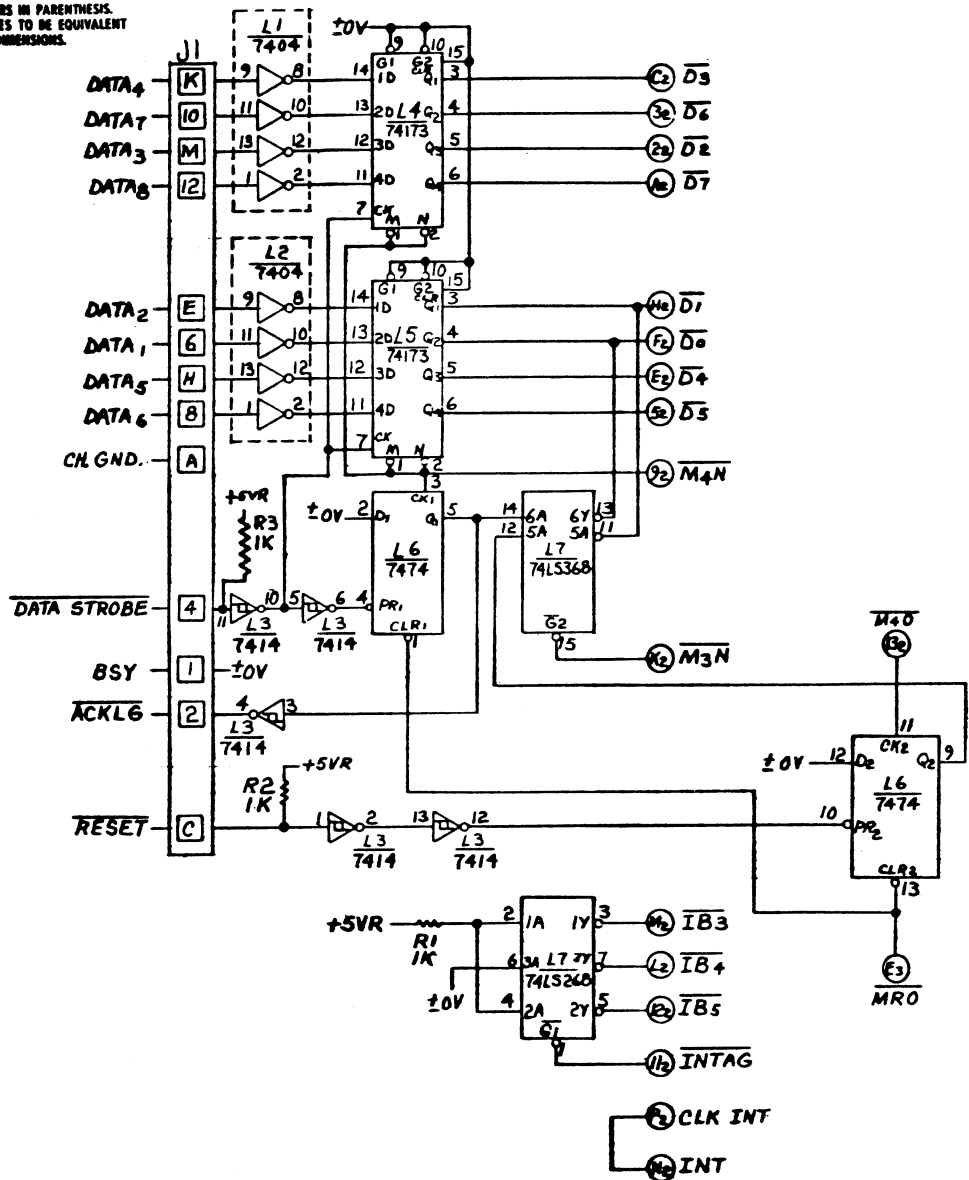
210-7071 D 7071 7

SCALE: 1/8" = 1" INT 4 OF 5

WANG PART NUMBER: 210-7071 SIZE: D DRAWING NUMBER: 7071

THE INFORMATION CONTAINED IN THIS DRAWING IS THE PROPERTY OF WANG LABORATORIES, INC. AND IS CONFIDENTIAL AND PROPRIETARY TO WANG LABORATORIES, INC. IT MAY NOT BE COPIED, REPRODUCED OR USED IN WHOLE OR IN PART FOR ANY REASON.

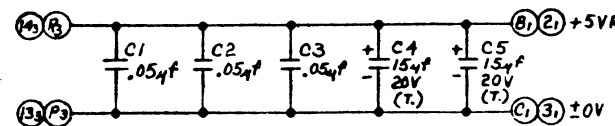
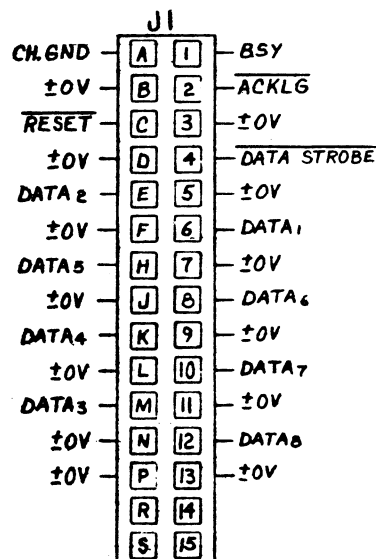
MILLIMETERS IN PARENTHESES. TOLERANCES TO BE EQUIVALENT TO NEAREST DIMENSIONS.



LOCATION	TYPE	SPARES
L1,2	7404	2
L3	7414	2
L4,5	74173	1

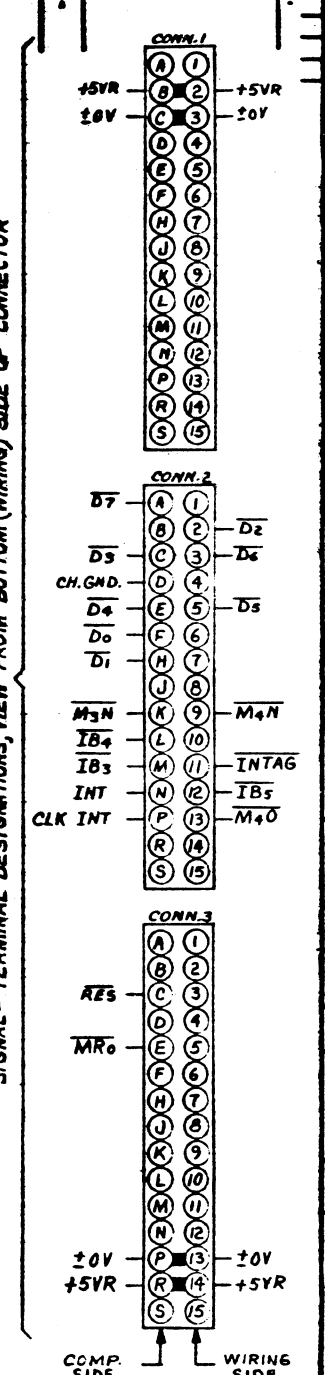
LOCATION	W.L. PART NO.	TERM. NO. ±0V	TERM. NO. Vcc 5VR
L1,2	376-0010	7	14
L3	376-0139	7	14
L4,5	376-0183	8	16
L6	376-2006	7	14
L7	376-0193	8	16

COMPONENT	W.L. PART NO.
R1,2,3	330-3010
C1,2,3	300-1900
C4,5	300-4022
J1	350-0009



HOLE LEGEND & TOLERANCES

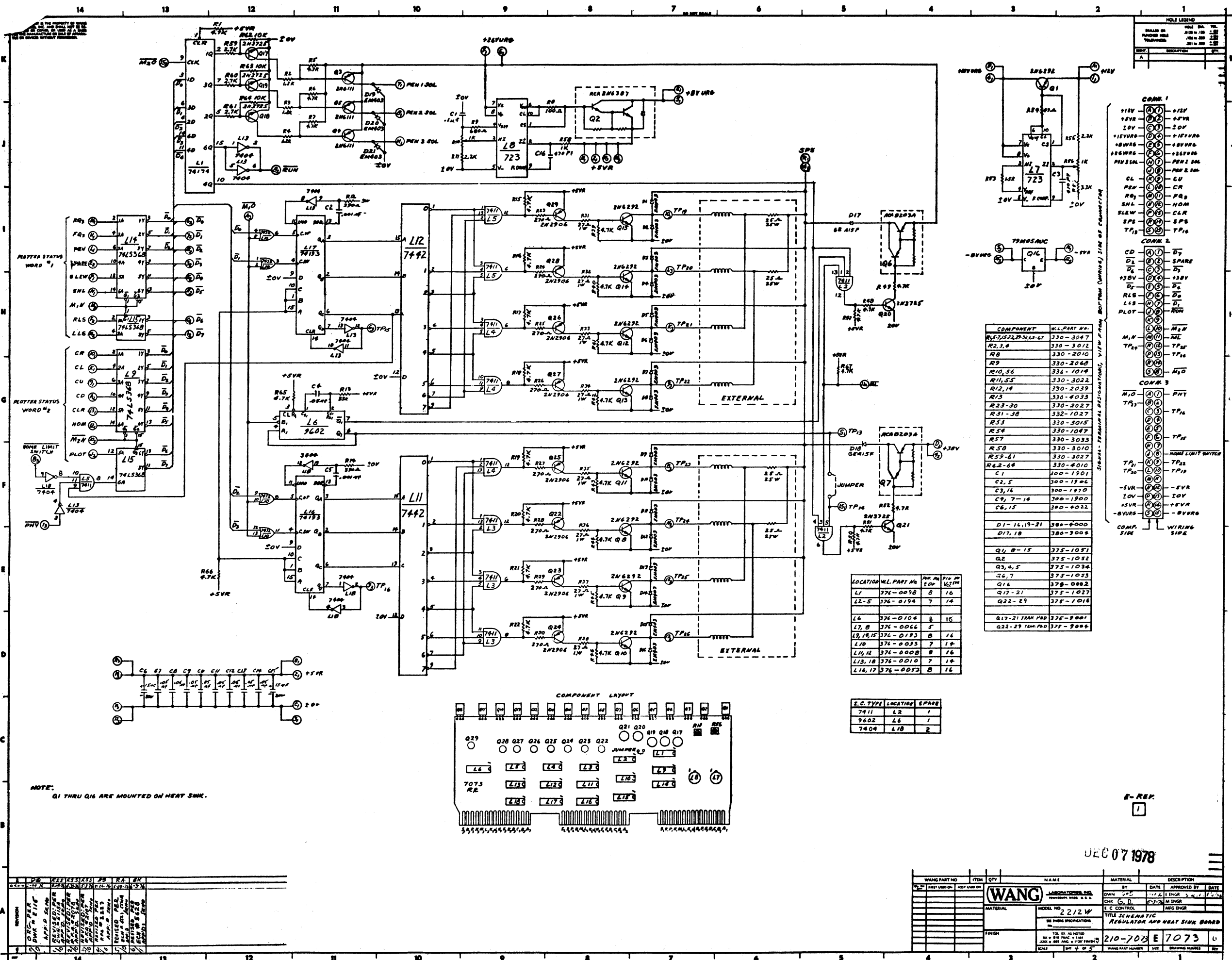
HOLE DIA.	TOLERANCE
.030 - .125	±.003 - .004
.130 - .250	±.004 - .005
.260 - .500	±.005 - .008



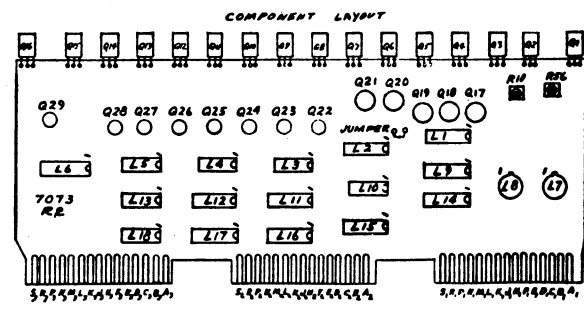
DEC 07 1978

REV.	DATE	BY	DESCRIPTION
0	1-14-76	SKM	ORIG PER DWR E-120
1	4-23-76	SKM	REVISED PER APP'D: SKM
2	5-28-76	SKM	REVISED PER RFA # 2105
3	7-29-76	SKM	REVISED PER RFA # 2223
4		SKM	REVISED PER APP'D: SKM
5		SKM	REVISED PER ECN # 8799
6		SKM	REVISED PER APP'D: D

QTY.	ITEM	WANG PART NO.	DRAWING NO.	DESCRIPTION
	NEXT ASSY.			
		<b>WANG</b> LABORATORIES, INC. TOWERSIDE MASS. U.S.A.		
	MATERIAL		MODEL NO. 2212W	
	FINISH		SEE ENGRG. SPECIFICATIONS	
			TOL. EX. AS NOTED	
			FIN. ±	
			SCALE 2x	
			SHT 4 OF 5	
			210-7072	
			D	
			7072	
			3	



NOTE:  
Q1 THRU Q16 ARE MOUNTED ON HEAT SNK.



LOCATION	W.L. PART NO.	PAR. NO.	FIN. AM.
L1	376-0098	8	16
L2-5	376-0194	7	14
L6	376-0104	8	16
L7, 8	376-0066	5	
L9, 14, 15	376-0193	8	16
L10	376-0033	7	14
L11, 12	376-0008	8	16
L13, 18	376-0010	7	14
L16, 17	376-0033	8	16

S.C. TYPE	LOCATION	SPARE
7411	L2	1
9602	L6	1
7404	L18	2

COMPONENT	W.L. PART NO.
R1, 5, 22, 27, 34, 45, 47	330-3047
R2, 3, 4	330-3012
R8	330-2010
R9	330-2068
R10, 56	336-1014
R11, 55	330-3022
R12, 14	330-2039
R13	330-4033
R23-30	330-2027
R31-38	332-1027
R53	330-3015
R54	330-1047
R57	330-3033
R58	330-3010
R59-61	330-3027
R62-64	330-4010
C1	100-1501
C2, 5	300-1706
C3, 14	300-1870
C4, 7-14	300-1900
C6, 15	300-4022
D1-14, 19-21	380-6000
D17, 18	380-3008
Q1, 8-15	375-1051
Q2	375-1052
Q3, 4, 5	375-1034
Q6, 7	375-1053
Q16	375-0882
Q17-21	375-1027
Q22-25	375-1016
Q17-21 FEAK PAD	375-9001
Q22-25 FEAK PAD	375-9004

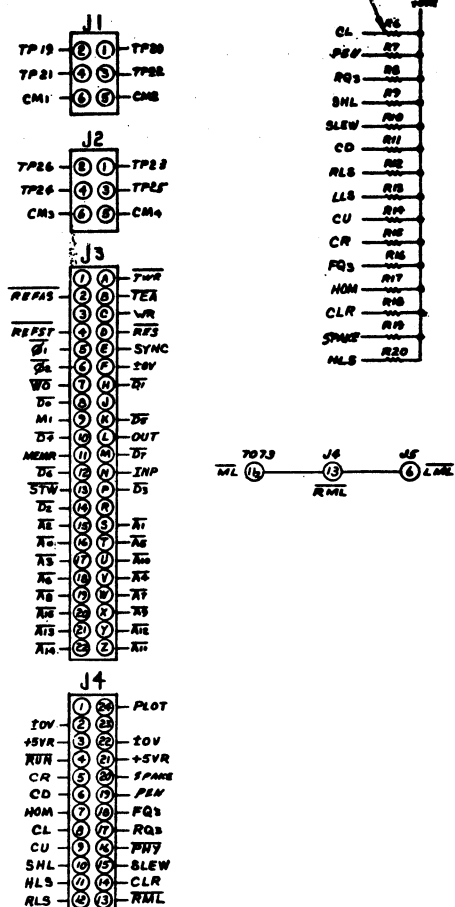
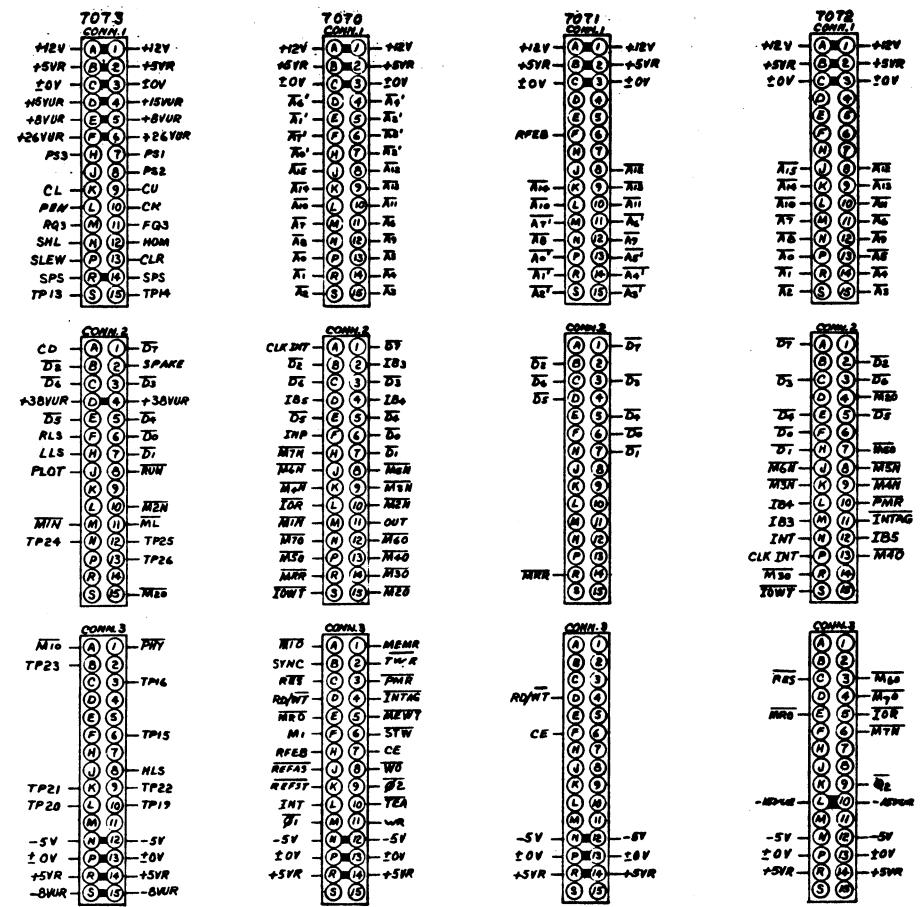
DEC 07 1978

WANG PART NO.	ITEM	QTY.	NAME	MATERIAL	DESCRIPTION
2212W			REGULATOR		
210-703			REGULATOR AND HEAT SINK BOARD		

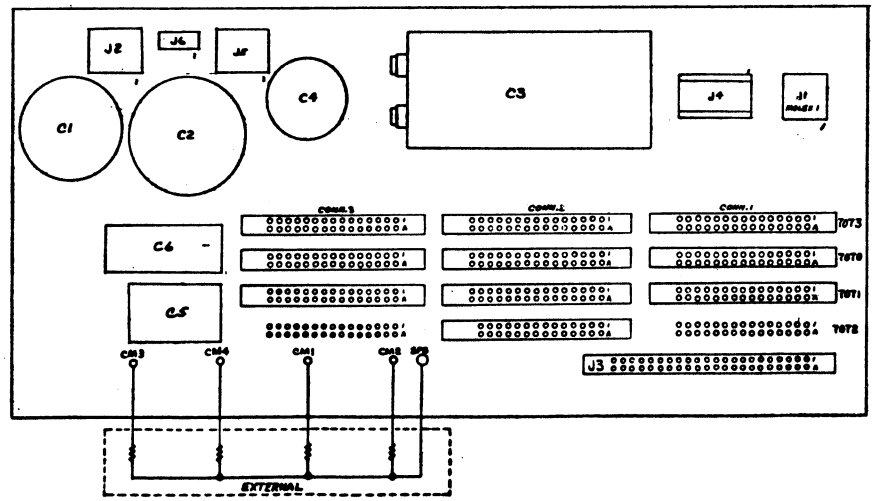
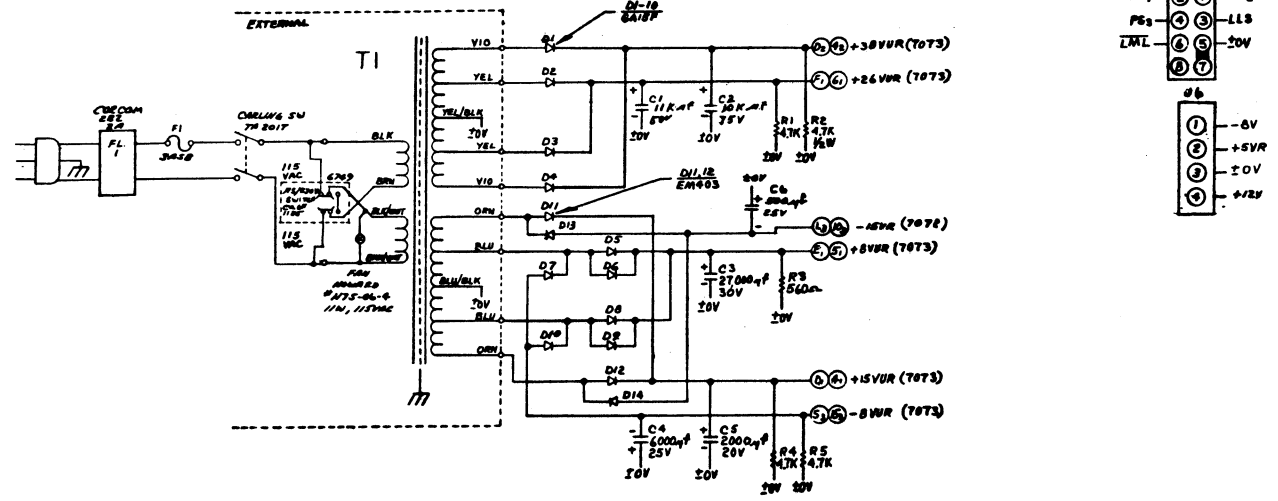
REV.	DATE	BY	DESCRIPTION
1			ISSUED FOR FABRICATION
2			REVISED PER COMMENTS
3			REVISED PER COMMENTS
4			REVISED PER COMMENTS
5			REVISED PER COMMENTS
6			REVISED PER COMMENTS
7			REVISED PER COMMENTS
8			REVISED PER COMMENTS
9			REVISED PER COMMENTS
10			REVISED PER COMMENTS
11			REVISED PER COMMENTS
12			REVISED PER COMMENTS
13			REVISED PER COMMENTS
14			REVISED PER COMMENTS

THIS DOCUMENT IS THE PROPERTY OF WANG LABORATORIES, INC. AND SHALL BE KEPT IN CONFIDENCE. IT IS TO BE RETURNED TO WANG LABORATORIES, INC. UPON THE DEMAND OF WANG LABORATORIES, INC.

REV.	DESCRIPTION	DATE
1	INITIAL	
2	REVISED	
3	REVISED	



COMPONENT	W.L. PART NO.
C1	300-3067
C2	300-3077
C3	300-3069
C4	300-3073
C5	300-3058
C6	300-3081
D1-10	380-3004
D11,12,13,14	380-4000
J1,2	654-1186
J5	654-1190
J3	350-0021
J4	376-9016
J6	654-1194
30 PIN CONN.	350-0011
R1,4,5	330-3047
R2	331-3047
R3	330-2056
R6-20	330-4010



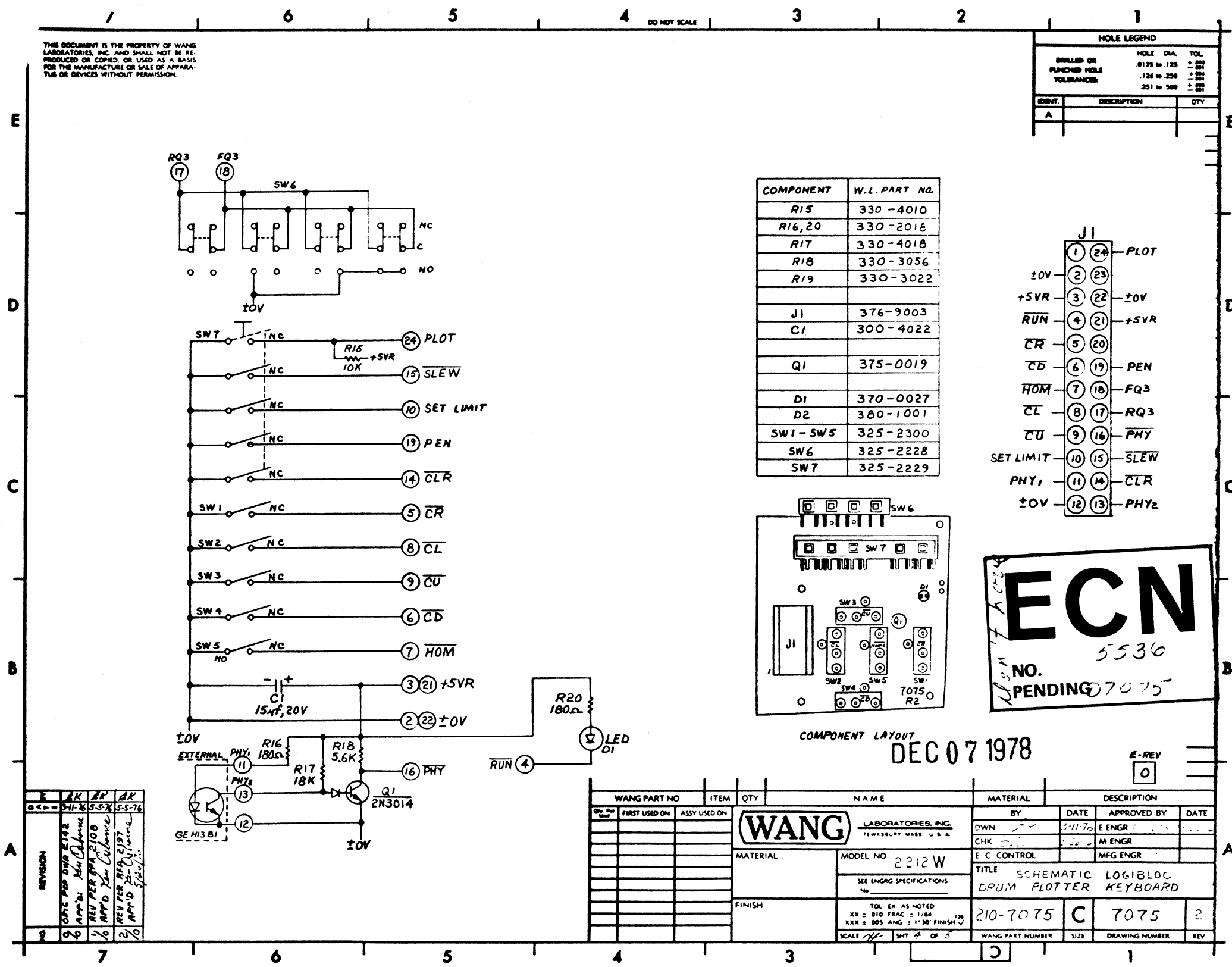
DEC 07 1978

REV.	BY	CHK.	DATE	DESCRIPTION
1	WANG	WANG		INITIAL
2	WANG	WANG		REVISED PER
3	WANG	WANG		REVISED PER
4	WANG	WANG		REVISED PER
5	WANG	WANG		REVISED PER
6	WANG	WANG		REVISED PER
7	WANG	WANG		REVISED PER
8	WANG	WANG		REVISED PER
9	WANG	WANG		REVISED PER
10	WANG	WANG		REVISED PER
11	WANG	WANG		REVISED PER
12	WANG	WANG		REVISED PER
13	WANG	WANG		REVISED PER
14	WANG	WANG		REVISED PER

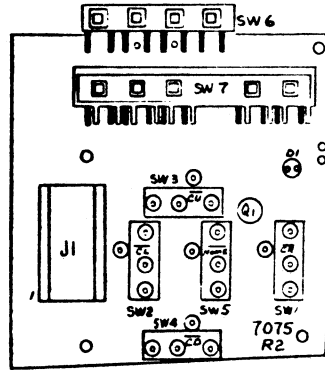
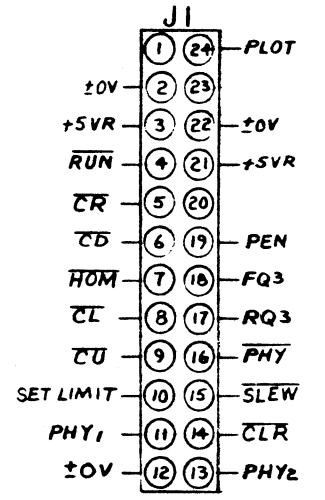
WANG PART NO.	ITEM	QTY	NAME	MATERIAL	DESCRIPTION
7074	DRUM PLOTTER MOTHERBOARD	1	WANG	7074	DRUM PLOTTER MOTHERBOARD

THIS DOCUMENT IS THE PROPERTY OF WANG LABORATORIES, INC. AND SHALL NOT BE REPRODUCED OR COPIED OR USED AS A BASIS FOR THE MANUFACTURE OR SALE OF APPARATUS OR DEVICES WITHOUT PERMISSION.

HOLE LEGEND		
BURLED OR PUNCHED HOLE	HOLE DIA.	TOL.
	.0125 to .125	± .001
	.126 to .250	± .002
	.251 to .500	± .003



COMPONENT	W.L. PART NO.
R15	330-4010
R16,20	330-2018
R17	330-4018
R18	330-3056
R19	330-3022
J1	376-9003
C1	300-4022
Q1	375-0019
D1	370-0027
D2	380-1001
SW1-SW5	325-2300
SW6	325-2228
SW7	325-2229



**ECN**  
NO. 5536  
PENDING 7075

DEC 07 1978

REVISION	BY	DATE	APPROVED BY
1	AK	5-5-76	AK
2	AK	5-5-76	AK
3	AK	5-5-76	AK
4	AK	5-5-76	AK
5	AK	5-5-76	AK
6	AK	5-5-76	AK
7	AK	5-5-76	AK

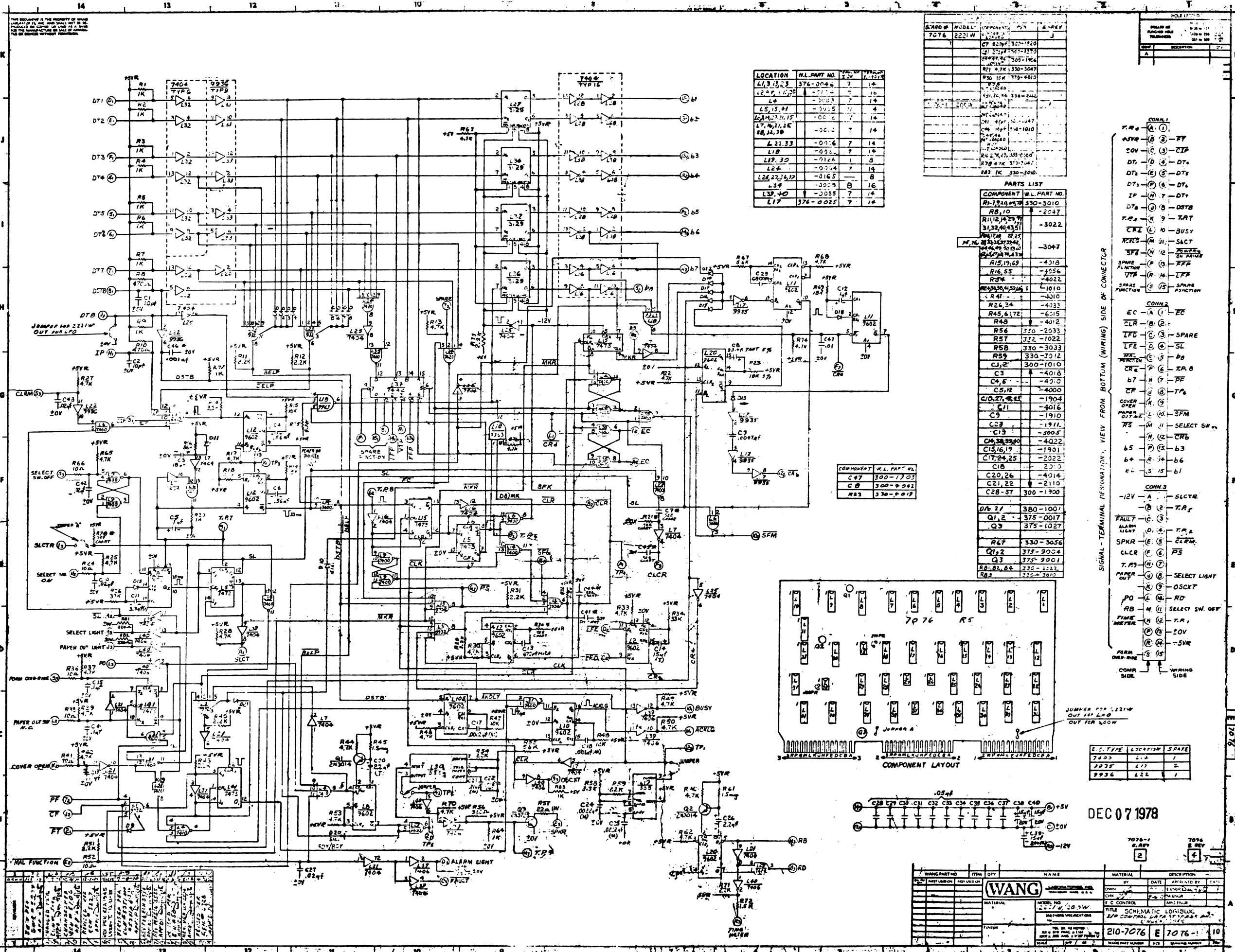
WANG PART NO.	ITEM	QTY	NAME	MATERIAL	DESCRIPTION
210-7075	1	1	SCHEMATIC LOGIBLOC DRUM PLOTTER KEYBOARD		

BY	DATE	APPROVED BY	DATE
DWN	5-11-76	E ENGR	
CHK		M ENGR	
E C CONTROL		MFG ENGR	

WANG PART NO.	SIZE	DRAWING NUMBER	REV
210-7075	C	7075	2



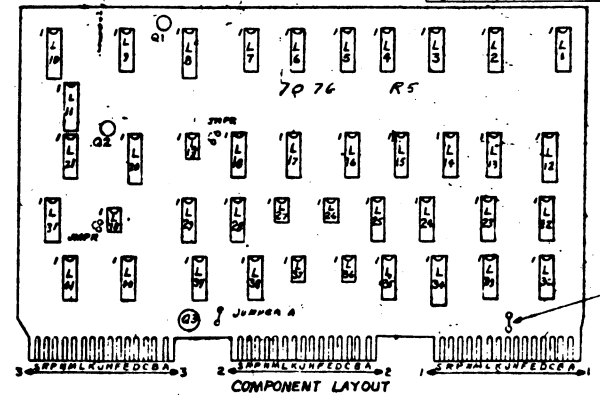
LOCATION	W.L. PART NO.	QTY.	REV.
L1,3,13,23	376-0046	7	1A
L2,4,7,11,20	-0014	0	1B
L4	-300A	7	1A
L5,15,31	-3005	11	4
L6,12,11,15	-0014	7	1A
L7,14,21,26	-3002	7	1A
L8,14,18	-3009	8	16
L9,22,33	-0016	7	1A
L10	-0025	7	1A
L19,30	-0124	1	3
L24	-0004	7	1A
L25,27,32	-0165	8	16
L34	-3009	8	16
L37,40	-3055	7	1A
L17	376-0025	7	1A

QTY.	MODEL	COMPONENT	P/N	E-REV
7076	221W	U1A	300-1020	J
		U1B	300-1020	J
		U1C	300-1020	J
		U1D	300-1020	J
		U1E	300-1020	J
		U1F	300-1020	J
		U1G	300-1020	J
		U1H	300-1020	J
		U1I	300-1020	J
		U1J	300-1020	J
		U1K	300-1020	J
		U1L	300-1020	J
		U1M	300-1020	J
		U1N	300-1020	J
		U1O	300-1020	J
		U1P	300-1020	J
		U1Q	300-1020	J
		U1R	300-1020	J
		U1S	300-1020	J
		U1T	300-1020	J
		U1U	300-1020	J
		U1V	300-1020	J
		U1W	300-1020	J
		U1X	300-1020	J
		U1Y	300-1020	J
		U1Z	300-1020	J

COMPONENT	W.L. PART NO.
R1,7,10,14,17,19,21,22,23,24,25,26,27,28,29,30,31,32,33,34,35,36,37,38,39,40,41,42,43,44,45,46,47,48,49,50,51,52,53,54,55,56,57,58,59,60,61,62,63,64,65,66,67,68,69,70,71,72,73,74,75,76,77,78,79,80,81,82,83,84,85,86,87,88,89,90,91,92,93,94,95,96,97,98,99,100	330-3010
R8,10	-2047
R11,12,14,17,19,21,22,23,24,25,26,27,28,29,30,31,32,40,43,51	-3022
R1,7,10,14,17,19,21,22,23,24,25,26,27,28,29,30,31,32,40,43,51	-3047
R15,19,69	-4018
R16,55	-4056
R17	-4022
R23,30,43,52,53	L1010
R41	-4010
R24,34	-4033
R45,61,72	-6015
R48	-4012
R56	350-2033
R57	332-1022
R58	330-3033
R59	330-3012
C1,2	300-1010
C3	-4018
C4,6	-4010
C5,12	-4000
C10,27,44	-1904
C11	-4016
C9	-1910
C23	-1911
C13	-4005
C14,38,39,40	-4022
C15,16,19	-1901
C17,24,25	-2022
C18	-2010
C20,26	-4014
C21,22	-2110
C28-37	300-1900
D1,2	380-1001
Q1,2	375-0017
Q3	375-1027
R67	330-3056
Q1,2	375-9004
Q3	375-9001
R81,82,84	330-2022
R83	330-3010

COMPONENT	W.L. PART NO.
C47	300-1703
C8	300-4092
R83	330-4019

- SIGNAL - TERMINAL DESIGNATION, VIEW FROM BOTTOM (WIRING SIDE OF CONNECTOR)
- CONN 1
- 1 - FF
  - 2 - CIP
  - 3 - DT1
  - 4 - DT2
  - 5 - DT3
  - 6 - DT4
  - 7 - DT5
  - 8 - DT6
  - 9 - DT7
  - 10 - DT8
  - 11 - TAT
  - 12 - BUSY
  - 13 - SACT
  - 14 - SPARE
  - 15 - FFP
  - 16 - LFP
  - 17 - SPARE
  - 18 - SPARE
- CONN 2
- 1 - EC
  - 2 - SPARE
  - 3 - SL
  - 4 - B8
  - 5 - XA B
  - 6 - PF
  - 7 - TP6
  - 8 - SFM
  - 9 - SELECT SW
  - 10 - CR6
  - 11 - B3
  - 12 - b6
  - 13 - b4
  - 14 - b6
  - 15 - b1
- CONN 3
- 1 - SLCTR
  - 2 - T.A.5
  - 3 - FAULT
  - 4 - T.P.A
  - 5 - CLRM
  - 6 - P3
  - 7 - SELECT LIGHT
  - 8 - OSCXT
  - 9 - RD
  - 10 - SELECT SW. OFF
  - 11 - T.P.1
  - 12 - 20V
  - 13 - -5VR



E.C. TYPE	LOCATION	SPARE
7400	L1	1
7405	L17	2
7406	L22	1

DEC 07 1978

WANG PART NO.	ITEM	QTY.	NAME	MATERIAL	DESCRIPTION
210-7076	E	10	SCHEMATIC LOGIC LOG		

DATE: DEC 07 1978

BY: [Signature]

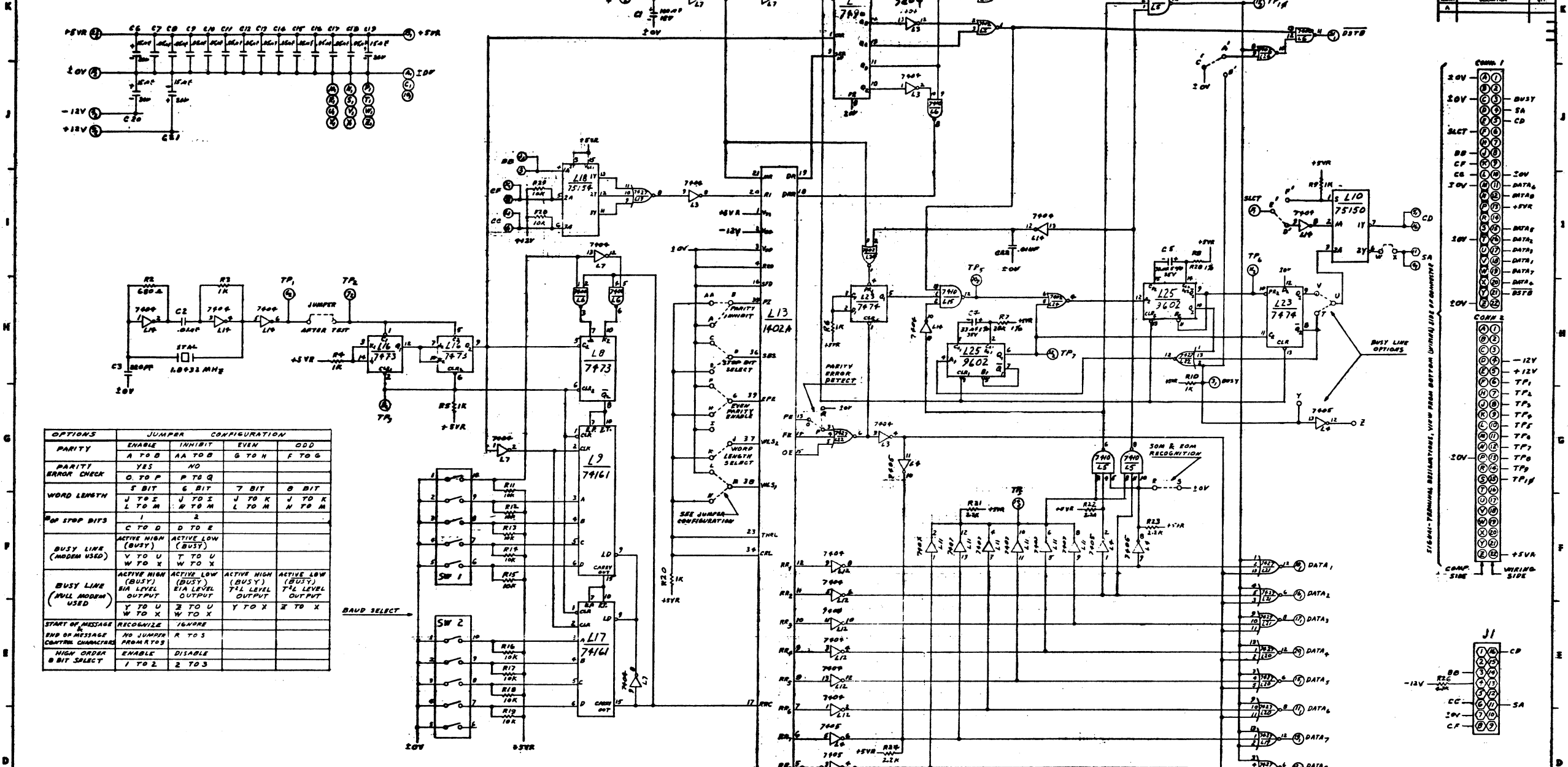
APPROVED BY: [Signature]

WANG PART NUMBER: 210-7076

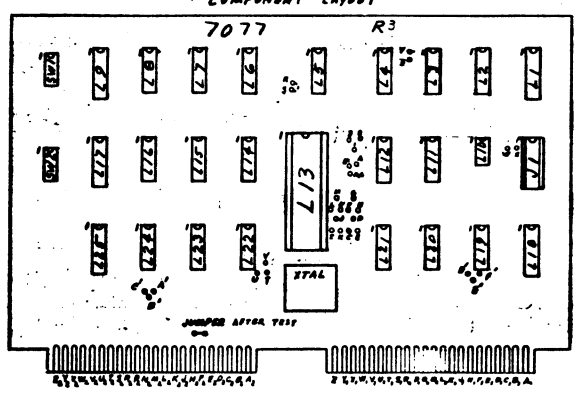
REV: 10

THIS DRAWING IS THE PROPERTY OF WANG LABORATORIES, INC. AND SHALL NOT BE REPRODUCED OR TRANSMITTED IN ANY FORM OR BY ANY MEANS, ELECTRONIC OR MECHANICAL, INCLUDING PHOTOCOPYING, RECORDING, OR BY ANY INFORMATION STORAGE AND RETRIEVAL SYSTEM.

REV.	DESCRIPTION	DATE
1	ISSUED FOR FABRICATION	12-07-78
2	REVISED	12-07-78
3	REVISED	12-07-78



OPTIONS	JUMPER	CONFIGURATION
PARITY	ENABLE	INHIBIT
PARITY ERROR CHECK	YES	NO
WORD LENGTH	5 BIT	6 BIT
STOP BITS	1	2
BUSY LINE (MODERN USED)	ACTIVE HIGH (BUSY)	ACTIVE LOW (BUSY)
BUSY LINE (NULL MODERN USED)	ACTIVE HIGH (BUSY)	ACTIVE LOW (BUSY)
START OF MESSAGE	RECOGNIZE	IGNORE
END OF MESSAGE	NO JUMPER	R TO S
HIGH ORDER BIT SELECT	ENABLE	DISABLE



LOCATION	WL PART #	QTY	REV
L1	376-0045	12	5
L2,20	376-0016	7	14
L3,7,12,14	376-0010	7	14
L4	376-0029	7	14
L5,15	376-0007	7	14
L6	376-0002	7	14
L8,16	376-0005	11	4
L9,17	376-0098	8	14
L10	376-0076	4	8
L11	376-0056	7	14
L13	377-0071	3	1
L18	376-0077	8	15
L19,20,21,22	376-0125	7	14
L23	376-0086	7	14
L25	376-0104	8	14

COMPONENT	WL PART #
R1, 11-12, 20	330-9010
R2	330-2068
R3-6, 8, 14, 20, 25	330-3010
R7, 8	331-0053
R21-24	330-3022
R26	330-3047
C1	340-4021
C2, C22	300-1703
C3	300-1210
C4, 5	340-4042
C6, 15, 24, 27	340-4022
C7-10	300-1900
R7AL	321-8015
SW 1, 2	322-1801
SW CAP	315-2047
J1 SOCKET (6 PIN)	376-2007
L9 SOCKET (6 PIN)	376-2011

I.C. TYPE	LOCATION	SPARE
7402	L2	2
7404	L7	1
7410	L15	2
7427	L22	1
7473	L8	1

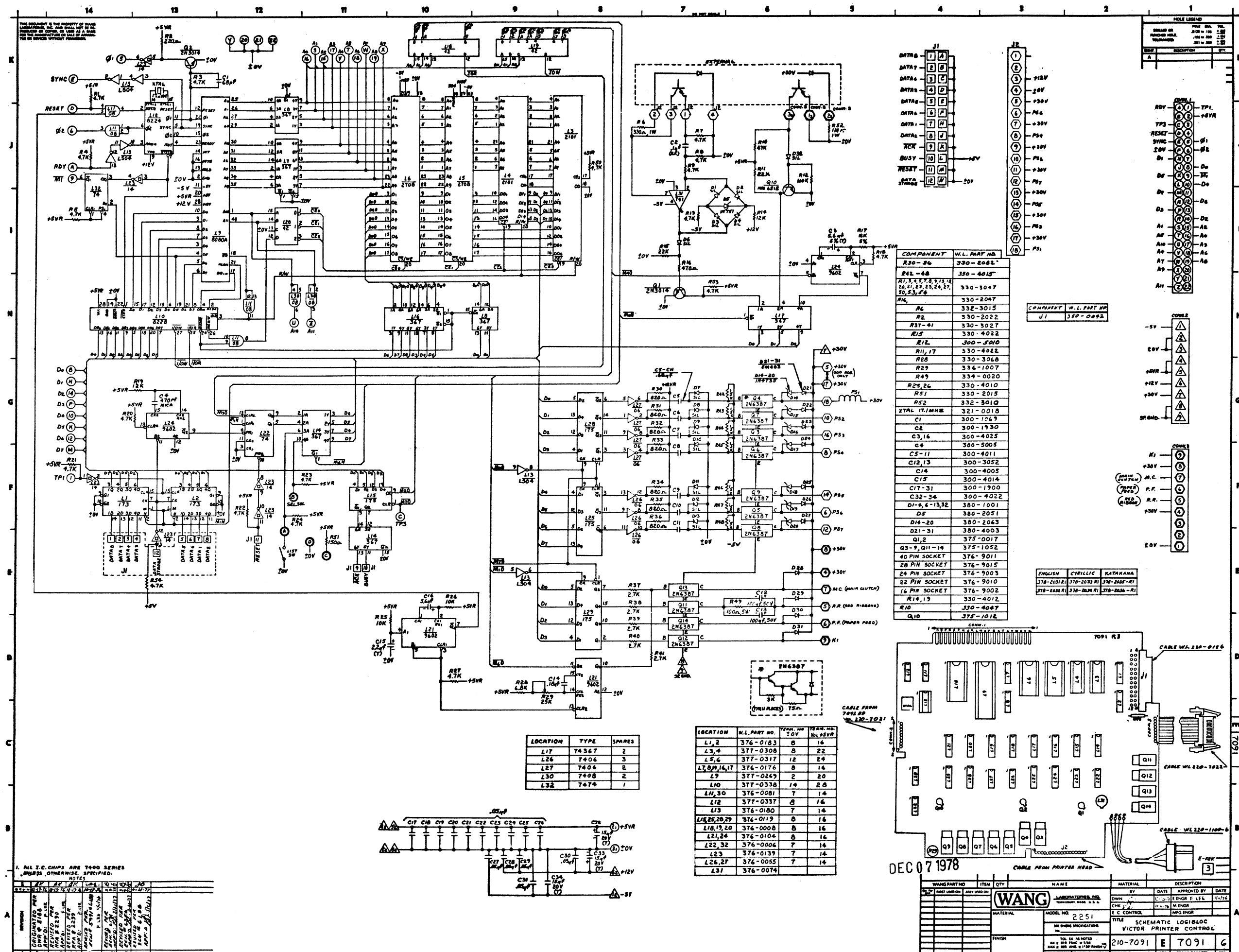
BAUD RATE	BAUD RATE SELECTION							
	SWITCH 2	1	5	4	3	2	1	
110	ON	OFF	OFF	OFF	OFF	ON	OFF	ON
300	OFF	OFF	ON	OFF	ON	ON	ON	ON
600	OFF	OFF	OFF	ON	OFF	ON	ON	ON
1200	OFF	OFF	OFF	OFF	ON	ON	ON	ON
2400	OFF	OFF	OFF	OFF	OFF	ON	ON	ON
4800	OFF	OFF	OFF	OFF	OFF	OFF	ON	ON
9600	OFF	OFF	OFF	OFF	OFF	OFF	OFF	ON

DEC 07 1978

REV.	DATE	BY	DESCRIPTION
1	12-07-78	WANG	ISSUED FOR FABRICATION
2	12-07-78	WANG	REVISED
3	12-07-78	WANG	REVISED

TRANS PART NO.	ITEM	QTY	NAME	MATERIAL	DESCRIPTION
210-7077	E	1	7077	WANG	SCHEMATIC
210-7077	E	1	7077	WANG	SCHEMATIC





WANG PART NO. REV. DATE

210-7091 E 7091 6

DATE: 10-11-78

BY: E. LEE

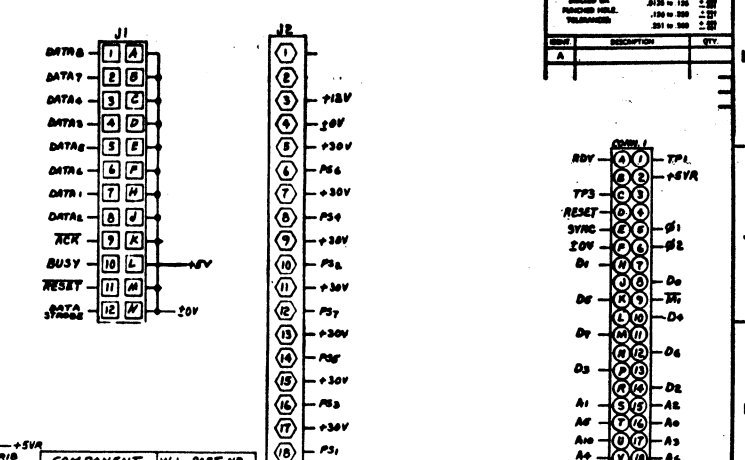
APPROVED BY: E. LEE

DATE: 10-11-78

CHECKED BY: M. ENGR

DATE: 10-11-78

SCALE: 1/8" = 1"



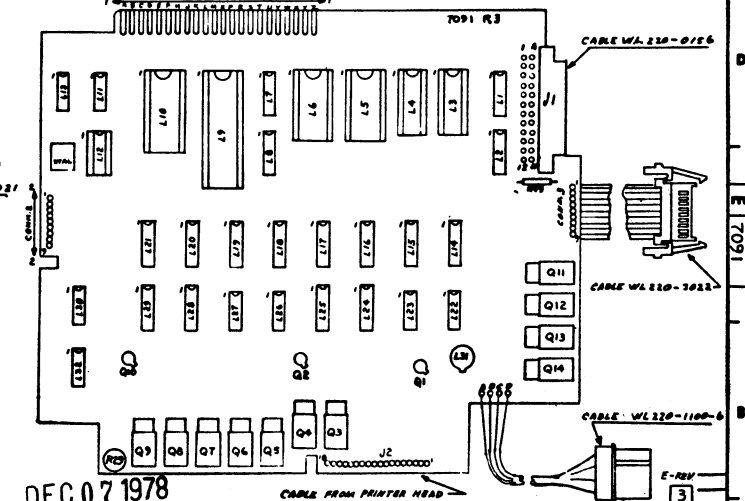
COMPONENT	W.L. PART NO.
R30-36	330-2082
R42-48	330-4015
R1, 3, 4, 5, 8, 9, 13, 18, 20, 21, 22, 23, 24, 27, 28, 33, 34	330-3047
R16	330-2047
R6	332-3015
R2	330-2022
R37-41	330-3027
R15	330-4022
R12	300-5010
R11, 17	330-4022
R28	330-3068
R29	336-1007
R49	334-0020
R25, 26	330-4010
R51	330-2015
R52	332-3010
ITAL. 17.1MMH	321-0018
C1	300-1269
C2	300-1930
C3, 16	300-4025
C4	300-5005
C5-11	300-4011
C12, 13	300-3052
C14	300-4005
C15	300-4014
C17-31	300-1900
C32-34	300-4022
D1-6, 6-13, 32	380-1001
D5	380-2051
D16-20	380-2063
D21-31	380-4003
Q1, 2	375-0017
Q3-9, Q11-14	375-1052
40 PIN SOCKET	376-9011
28 PIN SOCKET	376-9015
24 PIN SOCKET	376-9003
22 PIN SOCKET	376-9010
16 PIN SOCKET	376-9002
R14, 15	330-4012
R10	330-4047
Q10	375-101E

COMPONENT	W.L. PART NO.
J1	377-0092

ENGLISH	CYRILLIC	KATAKANA
376-2051R1	376-2051R1	376-2051R1
376-2082R1	376-2082R1	376-2082R1

LOCATION	TYPE	SPARES
L17	74367	2
L26	7406	3
L27	7406	2
L30	7408	2
L32	7474	1

LOCATION	W.L. PART NO.	ITEM NO	REV. NO
L1, 2	376-0183	8	16
L3, 4	377-0308	8	22
L5, 6	377-0317	12	24
L7, 8, 9, 16, 17	376-0176	8	14
L9	377-0249	2	20
L10	377-0338	14	28
L11, 30	376-0081	7	14
L12	377-0337	8	16
L13	376-0180	7	14
L15, 25, 29	376-0119	8	16
L18, 19, 20	376-0008	8	16
L21, 24	376-0104	8	16
L22, 32	376-0006	7	14
L23	376-0139	7	14
L26, 27	376-0055	7	14
L37	376-0074		



DEC 07 1978

WANG PART NO.	ITEM	QTY	NAME	MATERIAL	DESCRIPTION

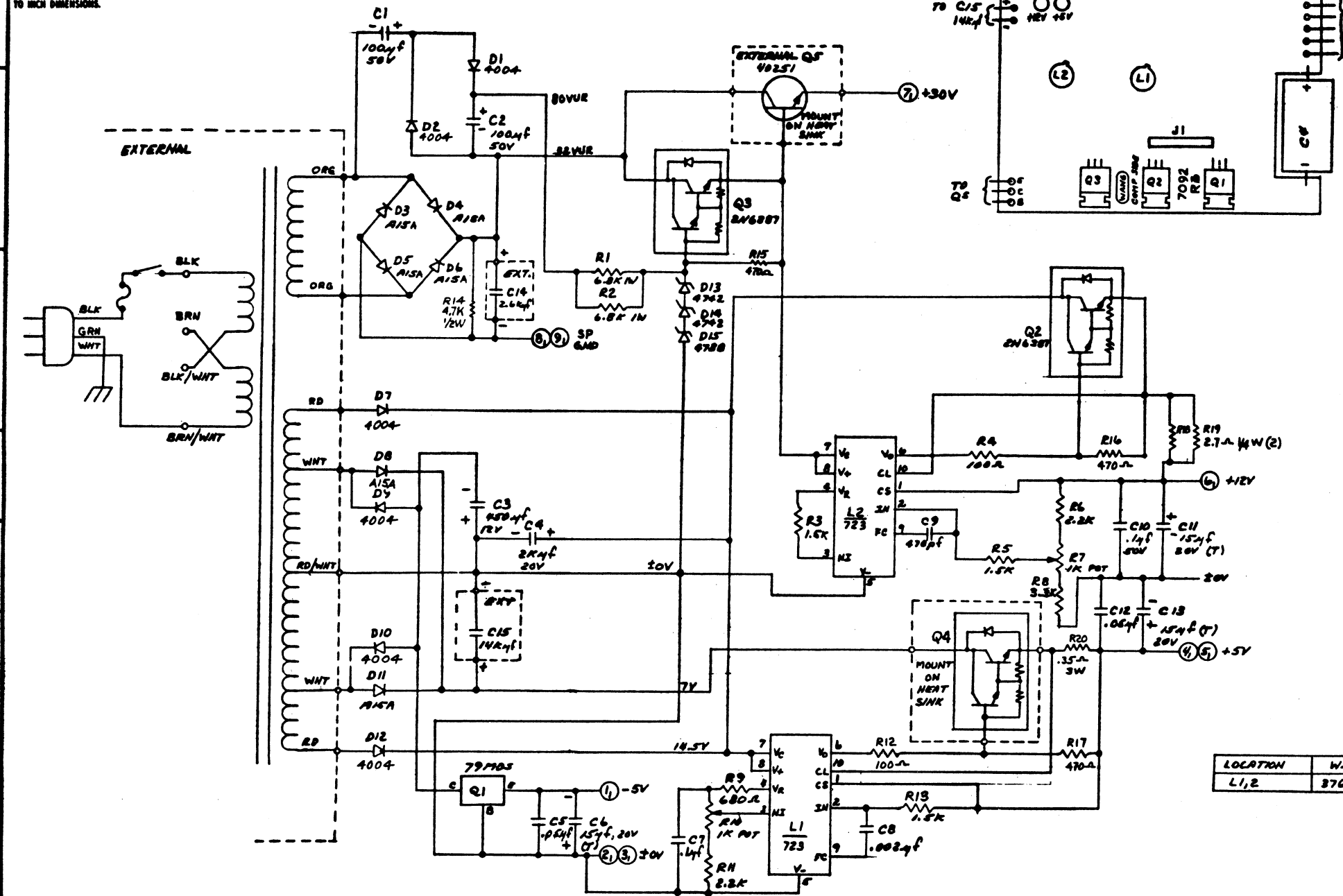
1. ALL I.C. CHIPS ARE 7400 SERIES UNLESS OTHERWISE SPECIFIED.

REV.	DATE	BY	DESCRIPTION
1	10-11-78	E. LEE	ISSUED FOR FAB
2	10-11-78	E. LEE	REVISED PER
3	10-11-78	E. LEE	REVISED PER
4	10-11-78	E. LEE	REVISED PER
5	10-11-78	E. LEE	REVISED PER
6	10-11-78	E. LEE	REVISED PER
7	10-11-78	E. LEE	REVISED PER
8	10-11-78	E. LEE	REVISED PER
9	10-11-78	E. LEE	REVISED PER
10	10-11-78	E. LEE	REVISED PER
11	10-11-78	E. LEE	REVISED PER
12	10-11-78	E. LEE	REVISED PER
13	10-11-78	E. LEE	REVISED PER
14	10-11-78	E. LEE	REVISED PER

THE INFORMATION CONTAINED IN THIS DRAWING IS THE PROPERTY OF WANG LABORATORIES, INC. AND IS CONFIDENTIAL AND PROPRIETARY TO WANG LABORATORIES, INC. IT MAY NOT BE COPIED, REPRODUCED OR USED IN WHOLE OR IN PART FOR ANY REASON.

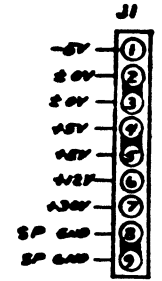
MILLIMETERS IN PARENTHESES. TOLERANCES TO BE EQUIVALENT TO INCH DIMENSIONS.

HOLE LEGEND & TOLERANCES		
SIZE DIA	TOLERANCE	
.250 - .255	+ .001 - .001	
.255 - .260	+ .001 - .001	
.260 - .265	+ .001 - .001	
SYM	DESCRIPTION	QTY.
A		



COMPONENTS	
DESCRIPTION	W.L. PART NO.
C1,2	300-3052
C3	300-3042
C4	300-3058
C5,12	300-1900
C6,11,13	300-4022
C7	300-1918
C8	300-1913
C9	300-1070
C10	300-1920
J2	220-1108
J1	226-3021
D1,2,3,9,10,12	380-4000
D3,4,6,8,11	380-3008
D13,14	380-2121
D15	380-3022
R15,16,17	330-2047
R1,2	332-8068
R3,13,15	330-8015
R4,12	330-2010
R6,11	330-2023
R7,10	330-1001
R8	330-2028
R9	330-2068
R14	331-3047
Q1	374-0002
Q2,3,4	376-1052
R18,19	330-0027
R20	334-0019

LOCATION	W.L. PT NO.	QTY.
L1,2	376-0066	5



DEC 07 1978

E-REV 4

REV	DATE	BY	CHK	APP	DESCRIPTION
1	10-5-76	EBA			REVISED PER...
2	10-5-76	EBA			REVISED PER...
3	10-5-76	EBA			REVISED PER...
4	10-5-76	EBA			REVISED PER...
5	10-5-76	EBA			REVISED PER...

QTY.	ITEM	WANG PART NO.	DRAWING NO.	DESCRIPTION
	NEXT ASSY.			
		<b>WANG</b>	LABORATORIES, INC.	TELEPHONY BLDG. U.S.A.
	MATERIAL		MODEL NO. 2251	SEE ENGR SPECIFICATIONS
	FINISH			
				TITLE: POWER SUPPLY REGULATOR
				210-7092 D 7092 4

6

5

4

DO NOT SCALE

3

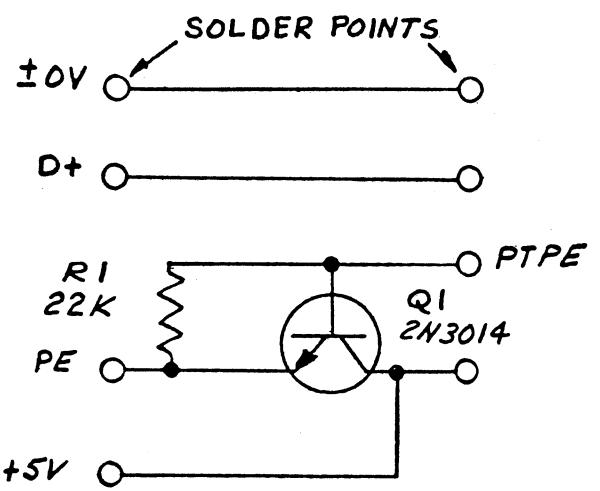
2

1

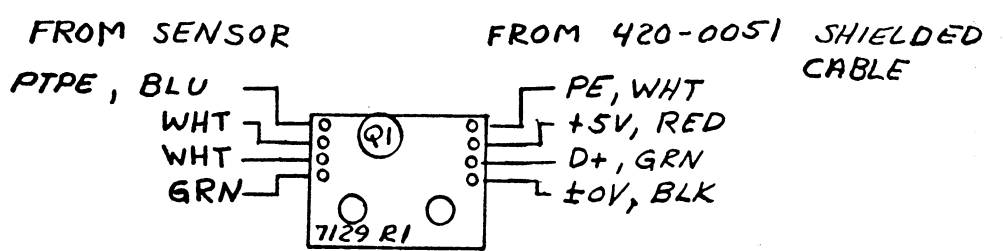
HOLE LEGEND

DRILLED OR PUNCHED HOLE	HOLE DIA.	TOL.
	.0135 to .125	+ .003 - .001
	.126 to .250	+ .004 - .001
	.251 to .500	+ .005 - .001

IDENT.	DESCRIPTION	QTY
A		



COMPONENT	WL PT. NO.
Q1	375-0017
R1	330-4022



WANG 081915

E. REV.



BY	EBA	EBA
DATE	3-1-77	5-5-77
REVISION	ORIGINATED PER DWR#E304 APP'D: [Signature], 3-8-77	REVISED PER ECN#6699 APP'D: [Signature], 5/12/77
NO.	0	1

WANG PART NO.	ITEM	QTY.	NAME	MATERIAL	DESCRIPTION
			<b>WANG</b> LABORATORIES, INC. TEWKSBURY, MASS. U. S. A.		
			MATERIAL	MODEL NO. 77 (2251W)	BY DWN EBA DATE 3-1-77 APPROVED BY E ENGR p. Chow DATE 3/8/77
			FINISH	SEE ENGRG SPECIFICATIONS No. _____	CHK [Signature] DATE 3-8-77 M ENGR
				TOL. EX. AS NOTED .XX ± .010 FRAC. ± 1/64 .XXX ± .005 ANG. ± 1°30' FINISH 128 ✓	E. C. CONTROL MFG ENGR
				SCALE 2/ SHT 4 OF 5	TITLE OPTICAL SCANNER BD.
					210-7129 B 7129 1
					WANG PART NUMBER SIZE DRAWING NUMBER REV.

D  
C  
B  
A

D  
B  
B  
A

6

5

4

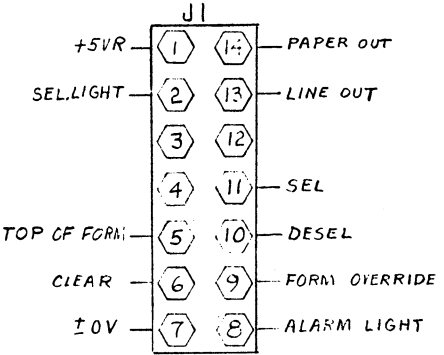
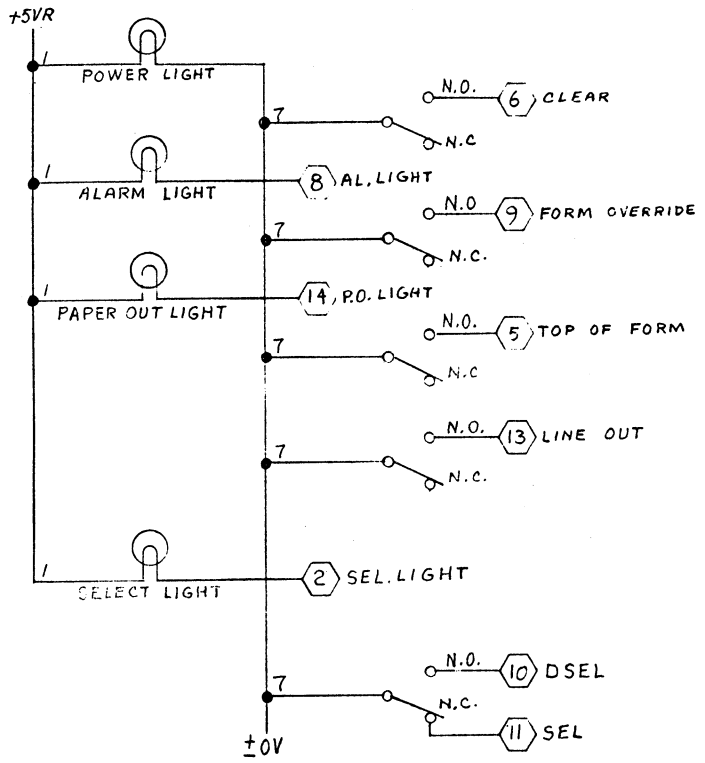
3

2

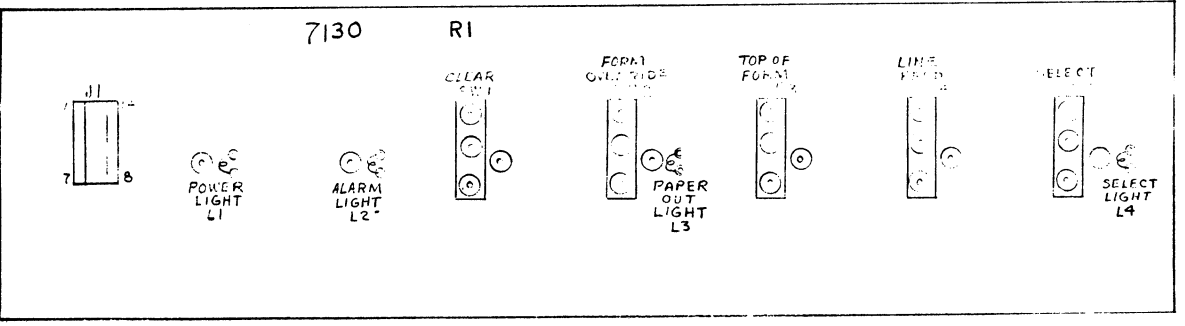
1

7 6 5 4 DO NOT SCALE 3 2 1

HOLE LEGEND		
	HOLE DIA.	TOL.
DRILLED OR PUNCHED HOLE	.0135 to .125	+ .003 - .004
TOLERANCES:	.126 to .250	+ .004 - .001
	.251 to .500	+ .003 - .001
IDENT.	DESCRIPTION	QTY.
A		



COMPONENT	W.L. PART NO
SW1 - SW5	325-2305
L1 - L4	370-0015
L1-L4 (PULSED)	370-1020
J1	220-3027



JAN 08 1979

0

NO.	REVISION	ORIGINATED PER	REVISION PER
01	ORIGINATED PER	DWR # E 519	
02	APPROVED PER	APP.D: 515/177	
03	REVISION PER	ECN # 6832	
04	APPROVED PER	APP.D: 515/177	

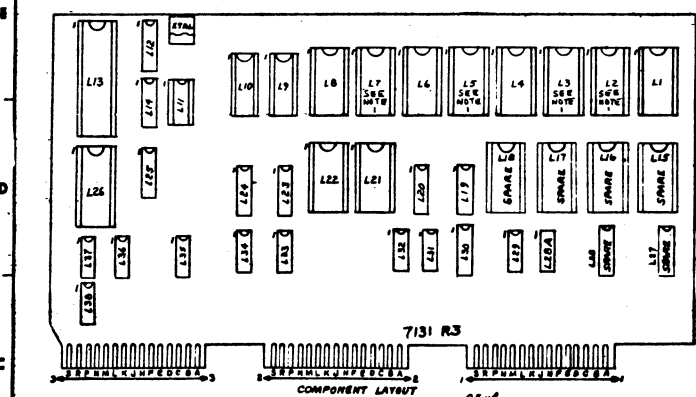
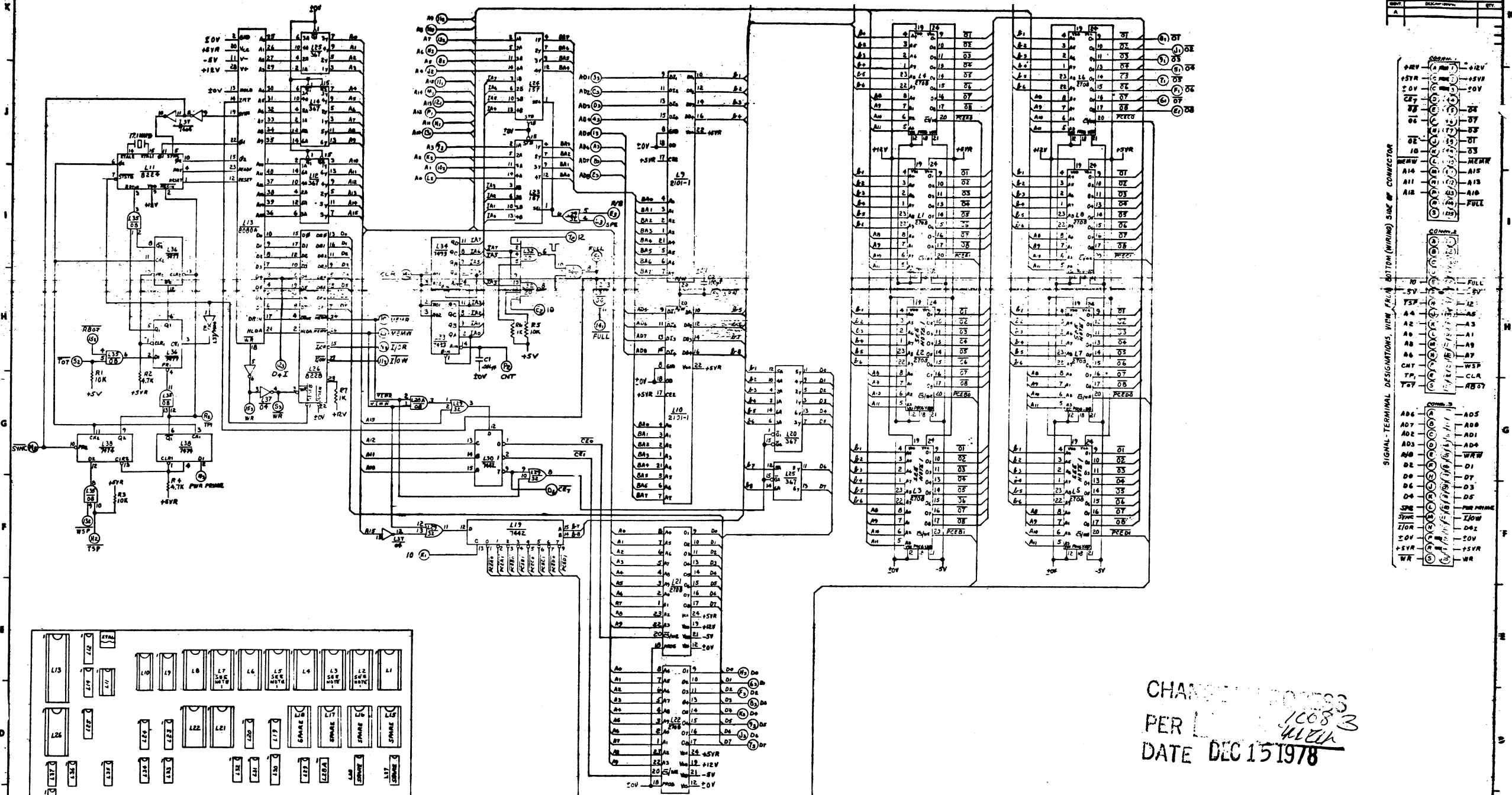
WANG PART NO	ITEM	QTY	NAME	MATERIAL	DESCRIPTION
210-7130		1		C	7130

BY	DATE	APPROVED BY	DATE
DWN EK	5-3-77	E ENGR	5/3/77
CHK		M ENGR	
E. C. CONTROL		MFG ENGR	

		MODEL NO. 77 SEE ENGR SPECIFICATIONS No. _____		TITLE IOP CONTROL PANEL	
FINISH TOL. EX. AS NOTED .XX ± .010 FRAC. ± 1/64 .XXX ± .005 ANG ± 1°30' FINISH		SCALE 1/8" = 1" SHT 4 OF 5		WANG PART NUMBER 210-7130 SIZE C DRAWING NUMBER 7130 REV 1	

7 6 5 4 3 2 1

THIS DOCUMENT IS THE PROPERTY OF WANG LABORATORIES, INC. AND SHALL NOT BE REPRODUCED OR COPIED IN ANY MANNER WITHOUT THE WRITTEN PERMISSION OF WANG LABORATORIES, INC.



NOTES:  
1. L23, 5, 7, 14-18, 27, 28 ARE NOT USED.

REV	DATE	BY	DESCRIPTION
1	11/15/78	...	...
2	...	...	...
3	...	...	...
4	...	...	...
5	...	...	...
6	...	...	...
7	...	...	...
8	...	...	...
9	...	...	...
10	...	...	...
11	...	...	...
12	...	...	...
13	...	...	...
14	...	...	...

COMPONENT	W.L. PART NO.
R1, 3, 5	330-4010
R2, 4	330-3047
R6, 7	330-3010
C1	300-1906
C2	300-1100
C3-18, 21-	300-1900
C19, 20, 22	300-4021
C23, C24	300-4022
XTAL <sub>1</sub>	321-0010
L1, 4, 8, 21, 22	376-9003
L9, 10	376-9010
L11	376-9004
L13	376-9011
L26	376-9015

LOCATION	W.L. PART NO.	TERM NO.	TERMINAL
L1, 4, 8, 21, 22	377-0337	2	24
L9, 10	377-0338	4	22
L11	377-0337	8	16
L12, 15, 20, 25	376-0176	8	16
L13	377-0249	2	20
L19, L20	376-0008	8	16
L23, 24	376-0052	8	16
L26	377-0338	14	28
L28A, 25	376-0061	7	14
L29	376-0093	7	14
L31	376-0052	7	14
L32	376-0004	7	14
L33, 34	376-0011	10	5-2
L36, 38	376-0066	7	14
L37	376-0010	7	14

LOCATION	TYPE	SPARES
L37	7400	2
L38A	7400	1
L38A	7400	3

PROM CHART

MODEL	209	L1	L4	L6	L8	L21	L22
2261W	7131A	378-2064	378-2063	378-2061	378-2062	378-2063	378-2064
2261V	7131B	378-2064	378-2063	378-2061	378-2062	378-2063	378-2064

CHANGE IN PROCESS  
PER 10083  
DATE DEC 15 1978

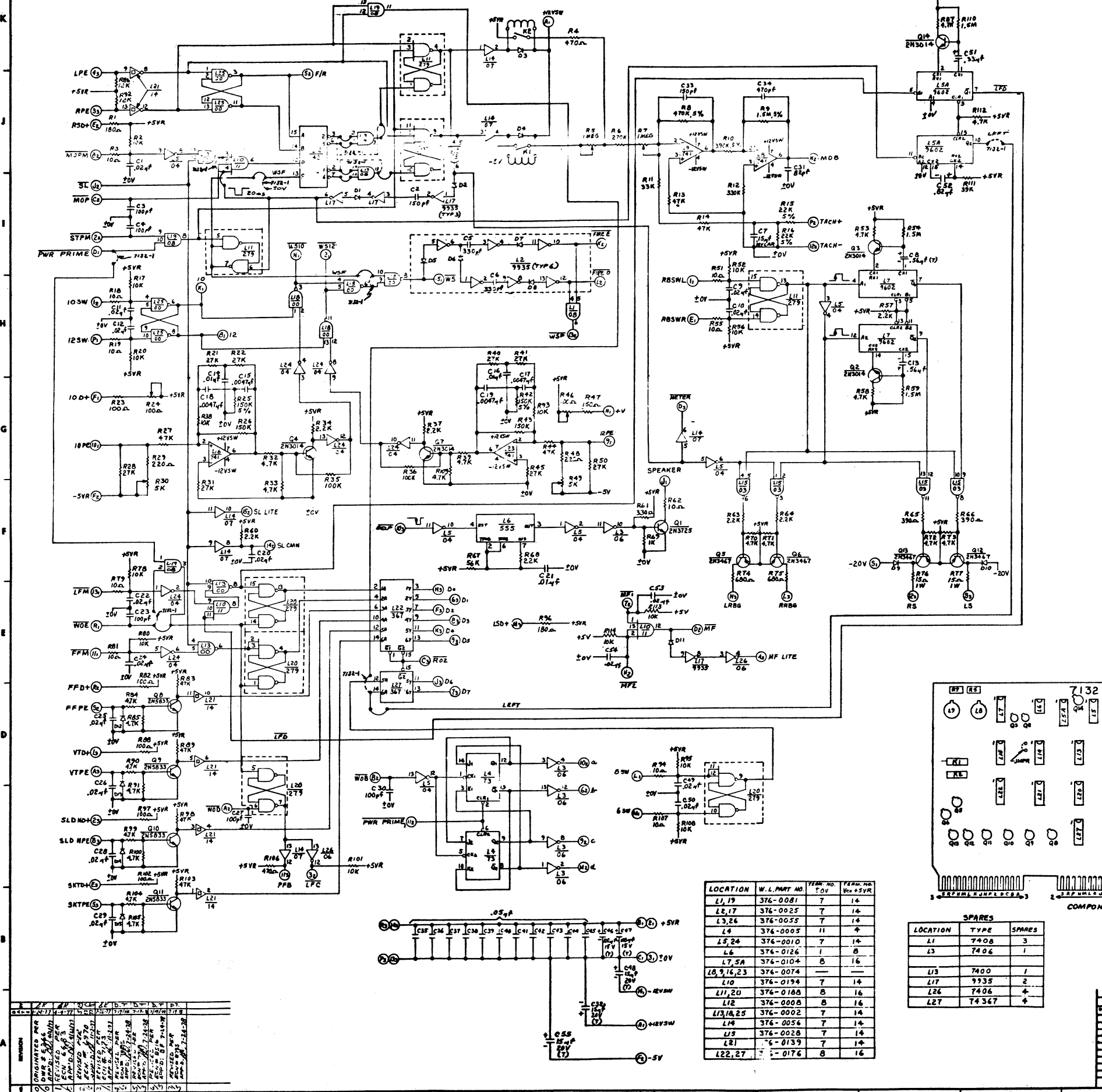
CHANGE IN PROCESS  
PER 10083  
DATE DEC 15 1978

JAN 08 1979

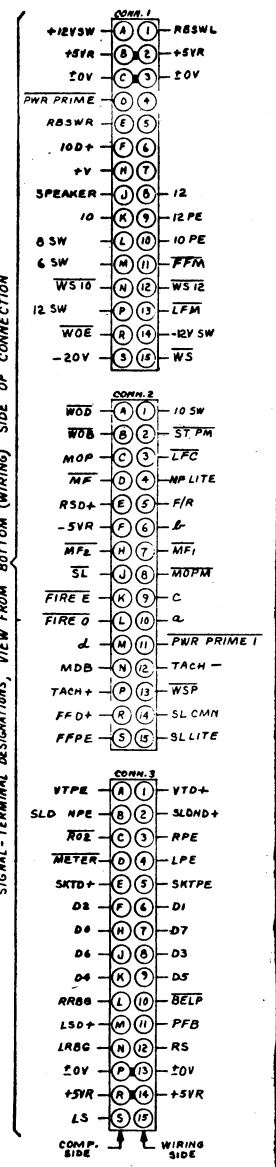
WANG PART NO.	ITEM	QTY	NAME	MATERIAL	DESCRIPTION
210-7131	E	6	WANG	MD77	LINE BUFFER, CHARACTER GENERATOR AND PROGRAM MEMORY
210-7131	E	6	WANG	MD77	LINE BUFFER, CHARACTER GENERATOR AND PROGRAM MEMORY

THIS DOCUMENT IS THE PROPERTY OF WANG LABORATORIES, INC. AND SHALL NOT BE REPRODUCED OR COPIED FOR USE AS A BASIS FOR THE MANUFACTURE OF ANY EQUIPMENT OR SERVICE WITHOUT PERMISSION.

HOLE LEGEND		
SYMBOL	DESCRIPTION	QTY
(Symbol)	...	...
(Symbol)	...	...
(Symbol)	...	...



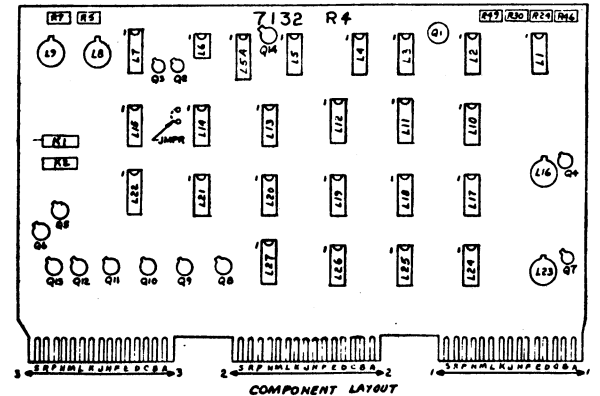
COMPONENT	W.L. PART NO.
R1, 26	330-2018
R2, 17, 24, 25, 26, 27, 28, 29, 30, 31, 32, 33, 34, 35, 36, 37, 38, 39, 40, 41, 42, 43, 44, 45, 46, 47, 48, 49, 50, 51, 52, 53, 54, 55, 56, 57, 58, 59, 60, 61, 62, 63, 64, 65, 66, 67, 68, 69, 70, 71, 72, 73, 74, 75, 76, 77, 78, 79, 80, 81, 82, 83, 84, 85, 86, 87, 88, 89, 90, 91, 92, 93, 94, 95, 96, 97, 98, 99, 100	330-4010
R3, 10, 15, 21, 22, 23, 24, 25, 26, 27, 28, 29, 30, 31, 32, 33, 34, 35, 36, 37, 38, 39, 40, 41, 42, 43, 44, 45, 46, 47, 48, 49, 50, 51, 52, 53, 54, 55, 56, 57, 58, 59, 60, 61, 62, 63, 64, 65, 66, 67, 68, 69, 70, 71, 72, 73, 74, 75, 76, 77, 78, 79, 80, 81, 82, 83, 84, 85, 86, 87, 88, 89, 90, 91, 92, 93, 94, 95, 96, 97, 98, 99, 100	330-1010
R4, 106	330-2047
R5, 7	330-1010
R6	330-5027
R8	330-5048
R9	330-6016
R10	330-5040
R11	330-4033
R12	330-5033
R13, 14, 44, 53, 59, 70, 72, 73, 74, 75, 76, 77, 78, 79, 80, 81, 82, 83, 84, 85, 86, 87, 88, 89, 90, 91, 92, 93, 94, 95, 96, 97, 98, 99, 100	330-4047
R15, 16	330-4023
R17, 23, 24, 31, 40, 41, 42, 50	330-4027
R47	330-2015
R49, 46	330-5016
R18, 23, 33, 34, 35, 36, 37, 38, 39, 40, 41, 42, 43, 44, 45, 46, 47, 48, 49, 50, 51, 52, 53, 54, 55, 56, 57, 58, 59, 60, 61, 62, 63, 64, 65, 66, 67, 68, 69, 70, 71, 72, 73, 74, 75, 76, 77, 78, 79, 80, 81, 82, 83, 84, 85, 86, 87, 88, 89, 90, 91, 92, 93, 94, 95, 96, 97, 98, 99, 100	330-3047
R30, 49	330-1020
R34, 37, 38, 43, 64	330-3022
R35, 36	330-5010
R25, 82, 86, 97, 102	330-2010
R43, 26	330-5015
R61	330-2033
R63, 48	330-2022
R65, 66	330-2039
R67	330-4056
R70	330-4022
R74, 75	330-2068
R76, 77	330-1015
R84, 89, 110	330-6015
C15, 17, 18, 19	300-1910
C3, 9, 23, 27, 30	300-1100
C2, 13	300-1150
C7	300-2215
C8, 13	300-4010
C9, 10, 11, 12, 20, 22, 24, 25, 26, 28, 29, 30, 43, 44, 53, 54	300-1904
C14, 16, 21	300-1903
C35-45	300-1900
C46, 32, 55	300-4022
R4	330-3010
D1-15	380-1001
K1, 2	320-0047
C31	300-1002
Q1	375-1027
Q2, 3, 4, 7, 14	375-0017
Q5, 6, 12, 13	375-1024
Q8, 9, 10, 11	375-1006
C34	300-1470
C46, 47	300-3011
R86, 92	330-4012
C3, 4	300-1330
R111	330-4039
C52	300-4012
C57	300-4008



REVISION	DATE	BY	DESCRIPTION
1	...	...	...
2	...	...	...
3	...	...	...

LOCATION	W.L. PART NO.	QTY	TERMINAL NO.
L1, 19	376-0081	7	14
L2, 17	376-0025	7	14
L3, 26	376-0025	7	14
L4	376-0005	11	4
L5, 24	376-0010	7	14
L6	376-0126	1	8
L7, 5A	376-0104	8	16
L8, 9, 16, 23	376-0074	...	...
L10	376-0194	7	14
L11, 20	376-0188	8	16
L12	376-0008	8	16
L13, 14, 25	376-0002	7	14
L14	376-0056	7	14
L15	376-0028	7	14
L21	376-0139	7	14
L22, 27	376-0176	8	16

LOCATION	TYPE	SPARES
L1	T40B	3
L3	T40G	1
L13	T400	1
L17	Y335	2
L24	T406	4
L27	T4367	4



WANG LABORATORIES, INC. MODEL NO. 2261W

DATE: 1-24-77

APPROVED BY: [Signature]

DESCRIPTION: OPTICAL SIGNAL PAPER FEED MOTOR CONTROL

SIZE: 7132

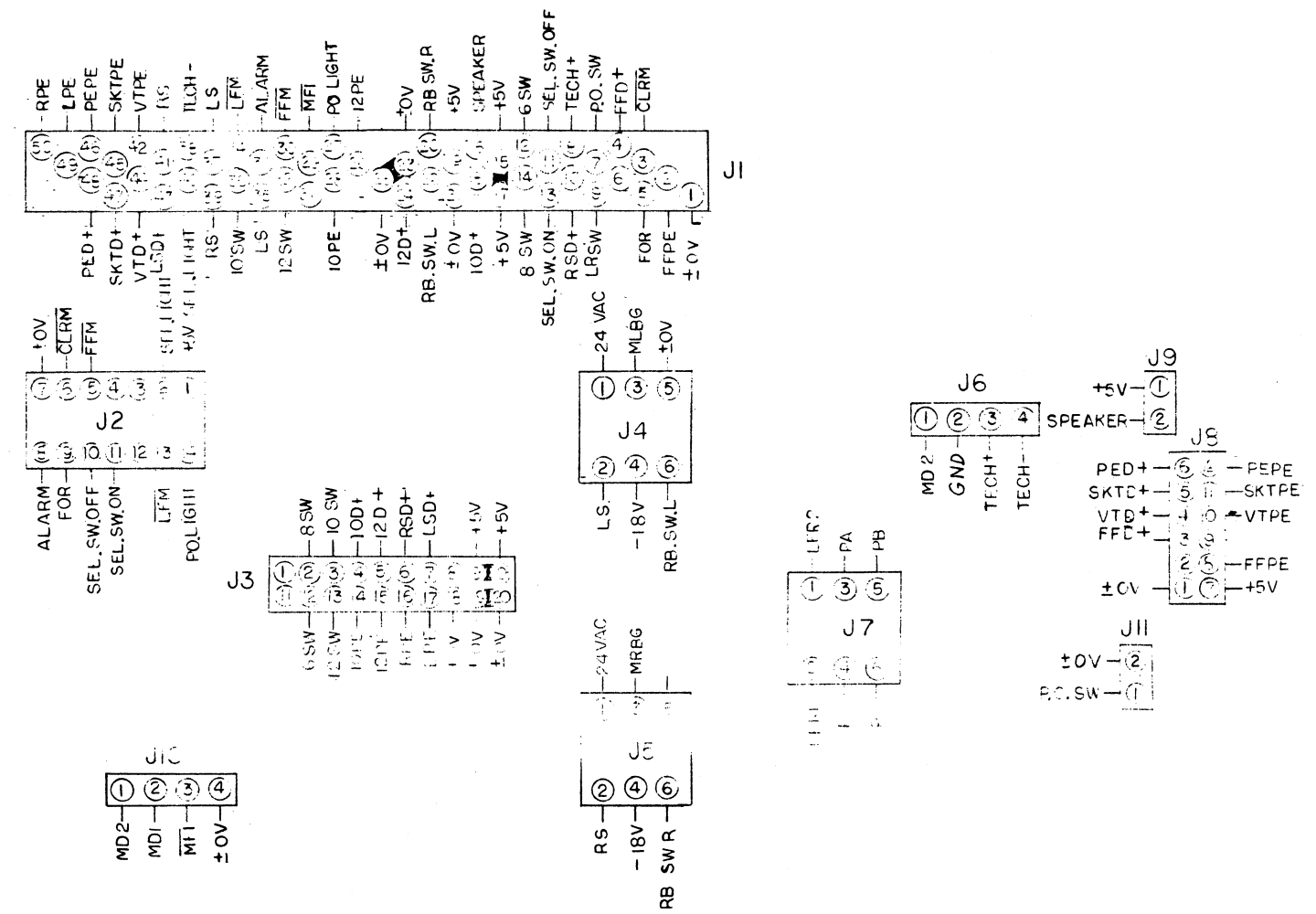
THE INFORMATION CONTAINED IN THIS DRAWING IS THE PROPERTY OF WANG LABORATORIES, INC. AND IS CONFIDENTIAL AND PROPRIETARY TO WANG LABORATORIES, INC. IT MAY NOT BE COPIED, REPRODUCED OR USED IN WHOLE OR IN PART FOR ANY REASON.

MILLIMETERS IN PARENTHESES. TOLERANCES TO BE EQUIVALENT TO INCH DIMENSIONS.

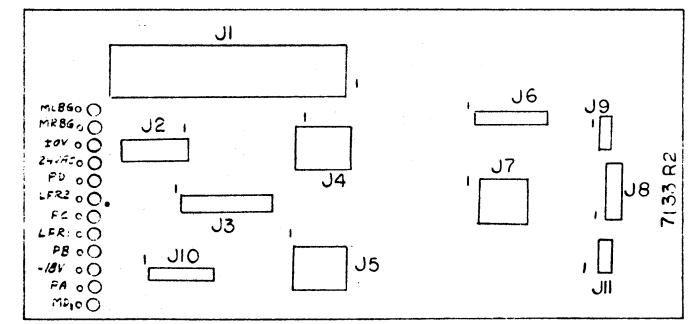
HOLE LEGEND & TOLERANCES		
HOLE DIA	TOLERANCE	
0135 - 125	+ .003 - .001	
126 - 250	+ .004 - .001	
251 - 500	+ .005 - .001	
SYM	DESCRIPTION	QTY.
A		

SCHEM. POINTS

- (BRN) MLB3
- (GRN) MPE3
- (BLK) GND
- (YEL) 24 VAC
- (RED) PD
- (WH) LFR2
- (WH/RED) PC
- (BLK) LFR1
- (GRN) PB
- (W/GRN) PA
- MD2



COMPONENTS	W.L. PT. NO.
J1	350-04058
J2	376-5012
J3	654-308
J4,5,7	654-1186
J6,10	654-1194
J8	654-0113
J9,11	654-1198



DATE 08 1979

E. REV  
1

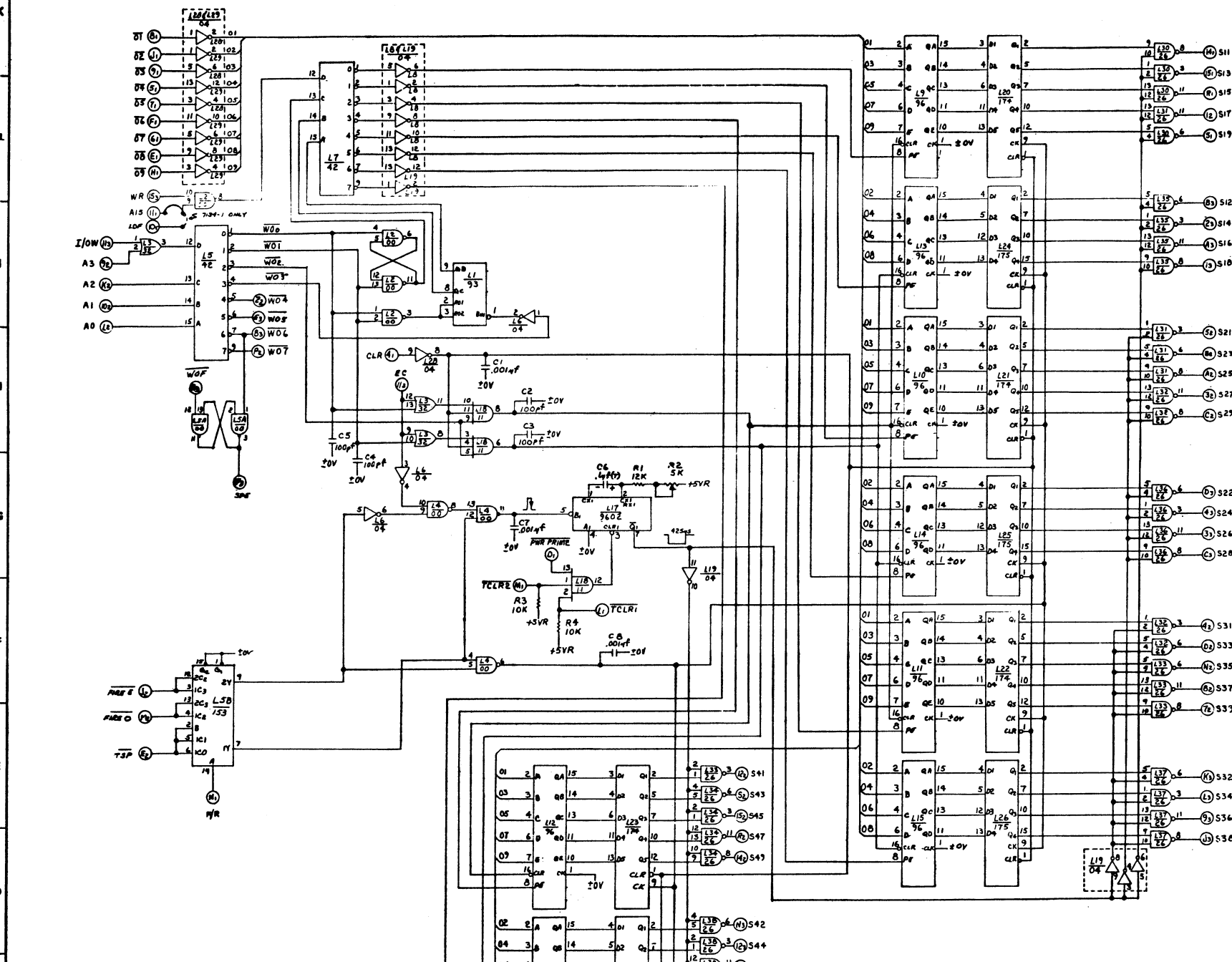
NO.	REVISION	DATE	BY
0	ORIGINATED PER DWG# E-3-38 AND REVISED PER DWG# 10-2-77	5-13-77	FRA
1	REVISED PER DWG# 10-2-77	6-12-77	SEA
2	REVISED PER DWG# 10-2-77	6-12-77	SEA
3	REVISED PER DWG# 10-2-77	6-12-77	SEA
4	REVISED PER DWG# 10-2-77	6-12-77	SEA
5	REVISED PER DWG# 10-2-77	6-12-77	SEA

QTY.	ITEM	WANG PART NO.	DRAWING NO.	DESCRIPTION
	NEXT ASSY.			
		<b>WANG</b> LABORATORIES, INC. NEWBURY MASS. U.S.A.		
	MATERIAL	MODEL NO. 77		
		SEE ENGRG. SPECIFICATIONS		
	FINISH	TOL. EX. AS NOTED XX ±    FRAC ± XXX ±    ANG ±    FINISH		
		SCALE 7/8" SHT 4 OF 5		
			210-7133	D 7133
			WANG PART NUMBER	SIZE DRAWING NUMBER
				REV

7133

THIS DOCUMENT IS THE PROPERTY OF WANG LABORATORIES, INC. AND SHALL NOT BE REPRODUCED OR TRANSMITTED IN ANY FORM OR BY ANY MEANS, ELECTRONIC OR MECHANICAL, INCLUDING PHOTOCOPYING, RECORDING, OR BY ANY INFORMATION STORAGE AND RETRIEVAL SYSTEM, WITHOUT PERMISSION IN WRITING FROM WANG LABORATORIES, INC.

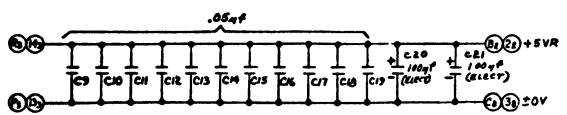
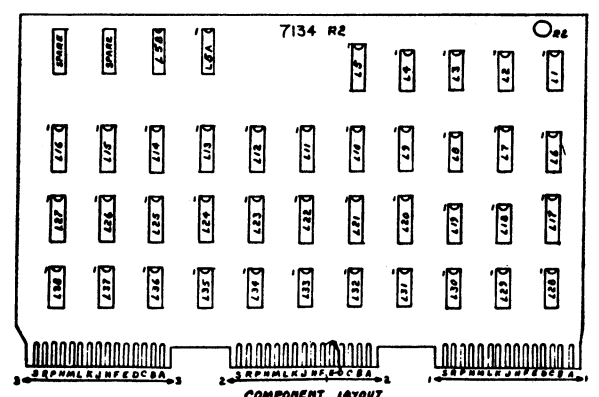
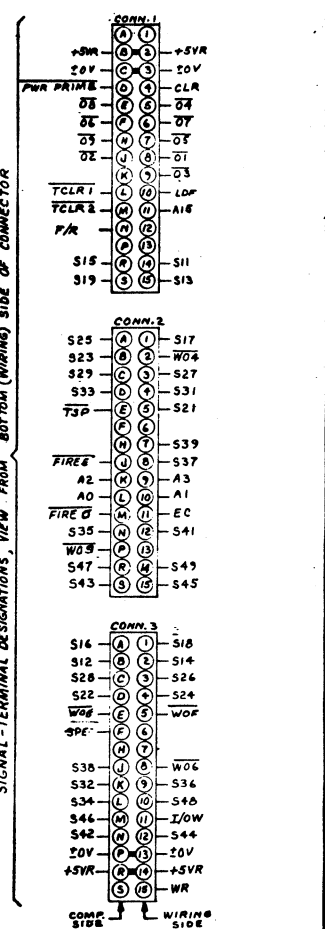
HOLE LEGEND		
DRILLER OR FINISHER	HOLE DIA.	YOL.
DRILLER	.015	2.00
FINISHER	.174	3.00
FINISHER	.311	3.00



COMPONENT	W.L. PART NO.
R1	330-4012
R2	336-1013
R3,4	330-4010
C1,7,8	300-1906
C2,3,4,5	300-1100
C6	300-4002
C9-19	300-1900
C20,21	300-3011

LOCATION	W.L. PART NO.	QTY	TERMIN.
L1	376-0011	10	5
L2,4,5A	376-0002	7	14
L3	376-0093	7	14
L5,7	376-0008	8	14
L6,8,19,20,29	376-0010	7	14
L9-16	376-0065	5	12
L17	376-0104	8	14
L18	376-0194	7	14
L20-23	376-0098	8	16
L24-27	376-0119	8	16
L30-38	376-0067	7	14
L39	376-0048	8	16

LOCATION	TYPE	SPARES
L4	7400	1
L6	7404	3
L5A	7400	2
L7	7432	1
L77	7402	1
L88	7404	2



REV.	DATE	BY	DESCRIPTION
1	11-17-77	DR	REVISED PER...
2	11-17-77	DR	REVISED PER...
3	11-17-77	DR	REVISED PER...
4	11-17-77	DR	REVISED PER...
5	11-17-77	DR	REVISED PER...

WANG PART NO.	ITEM	QTY	NAME	MATERIAL	DESCRIPTION
210-7134	E	3	7134	MD77	4 HEAD FIRING REGISTER

11/18/77

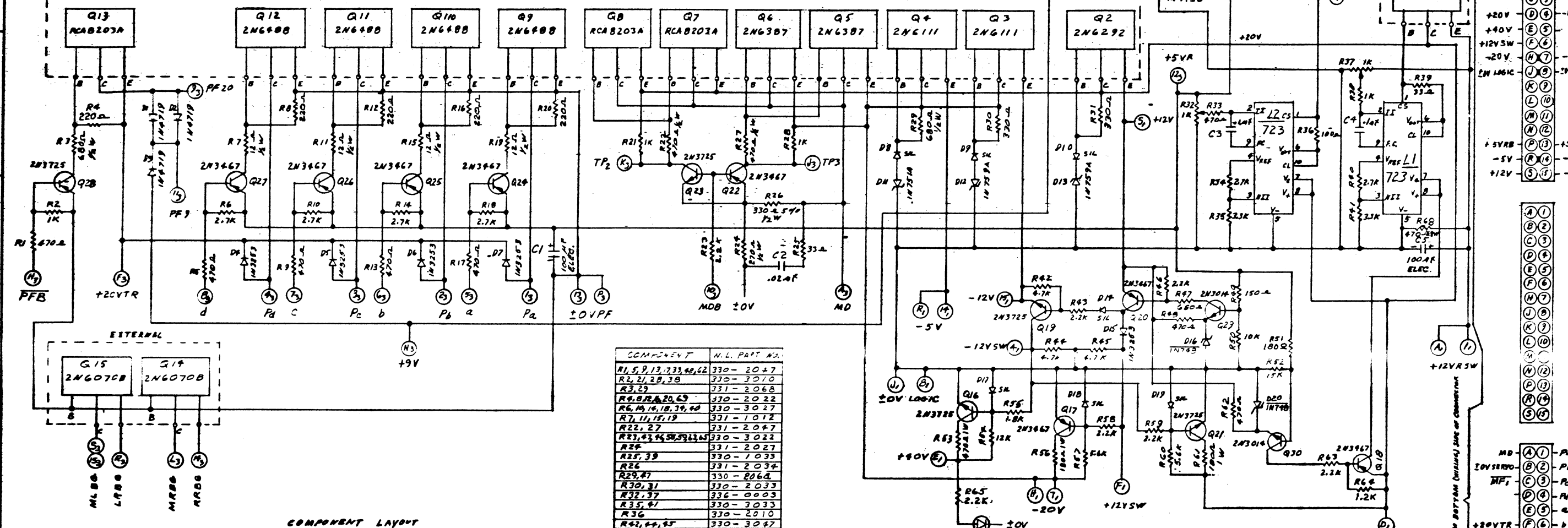


THE INFORMATION CONTAINED IN THIS DRAWING IS THE PROPERTY OF WANG LABORATORIES, INC. AND IS CONFIDENTIAL AND PROPRIETARY TO WANG LABORATORIES, INC. IT MAY NOT BE COPIED, REPRODUCED OR USED IN WHOLE OR IN PART FOR ANY REASON.

MILLIMETERS IN PARENTHESES. TOLERANCES TO BE EQUIVALENT TO SUCH DIMENSIONS.

DO NOT SCALE

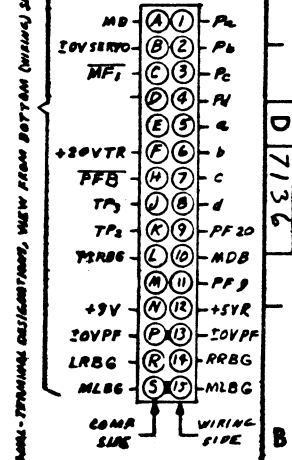
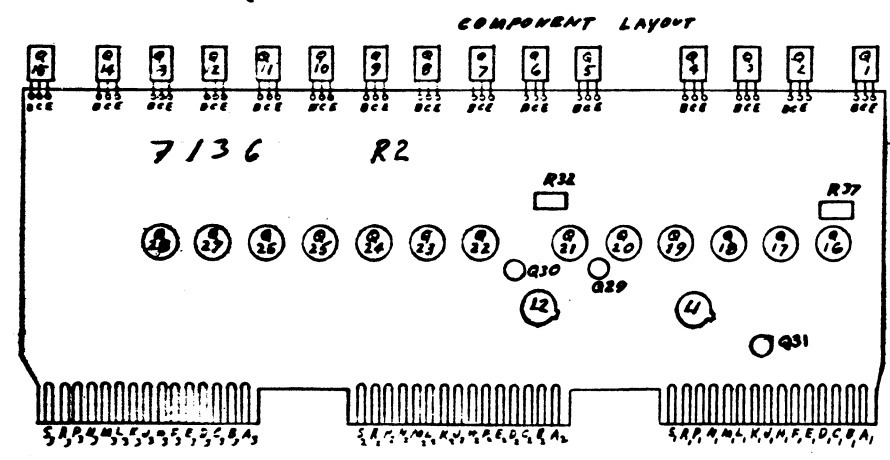
MATERIAL LEGEND & TOLERANCES		
SYMBOL	DESCRIPTION	QTY
○	0155 - 125	003 - 001
○	100 - 250	004 - 001
○	200 - 300	005 - 001



COMPONENT	W.L. PART NO.
R1, 5, 9, 13, 17, 33, 40, 42	330-2047
R2, 21, 28, 38	330-3010
R3, 29	331-2068
R4, 8, 12, 20, 69	330-2022
R6, 14, 18, 36, 40	330-3027
R7, 11, 15, 19	331-1012
R22, 27	331-2047
R23, 43, 45, 59, 51, 45	330-3022
R24	331-2027
R25, 39	330-1033
R26	331-2034
R29, 47	330-8064
R30, 31	330-2033
R32, 37	336-0003
R35, 41	330-3033
R36	330-2010
R42, 44, 45	330-3047
R49	330-2015
R50	330-4010
R55	330-3018
R52	330-4015
R53, 68	332-2047
R54	330-4012
R56, 61	332-2018
R57, 60, 66	330-3056
R64	330-3012
R68	330-1047
R51	330-2018
C1, 5	300-3011
C2	300-1904
C3, 4	300-1901
R67	334-0035
D1, 2, 3	380-3002
D4, 5, 6, 7, 15	380-3003
D8, 9, 10, 14, 17, 18, 19	380-1001
D11	380-2051
D12, 13	380-2120
D16, 20	380-2039
D21	380-2082

COMPONENT	W.L. PART NO.
Q1, 5, 6	375-1052
Q2	375-1051
Q3, 4	375-1034
Q7, 8, 13	375-1053
Q9 - 12	375-1054
Q14, 15	375-3002
Q16, 19, 21, 23, 28	375-1027
Q17, 18, 20, 22, 24-27	375-1026
Q29, 30, 31	375-0017
LED 1	330-0026

LOCATION	W.L. PART NO.	PIN NO. 10V	PIN NO. 5V
L1, 2	376-0066	5	-



JAN 08 1973

F-REV  
3

REV	BY	DATE	DESCRIPTION
1	DWA	11-27-72	REVISED PER
2	DWA	11-27-72	REVISED PER
3	DWA	11-27-72	REVISED PER
4	DWA	11-27-72	REVISED PER
5	DWA	11-27-72	REVISED PER
6	DWA	11-27-72	REVISED PER
7	DWA	11-27-72	REVISED PER
8	DWA	11-27-72	REVISED PER
9	DWA	11-27-72	REVISED PER
10	DWA	11-27-72	REVISED PER
11	DWA	11-27-72	REVISED PER

QTY.	ITEM	WANG PART NO.	DRAWING NO.	DESCRIPTION
	NEXT ASSY.			
	MATERIAL			
	FINISH			

BY	DATE	APPROVED BY	DATE
DWA	1-24-73	E ENGR B. Chen	1-24-73
CHK		M ENGR	
		MFG ENGR	

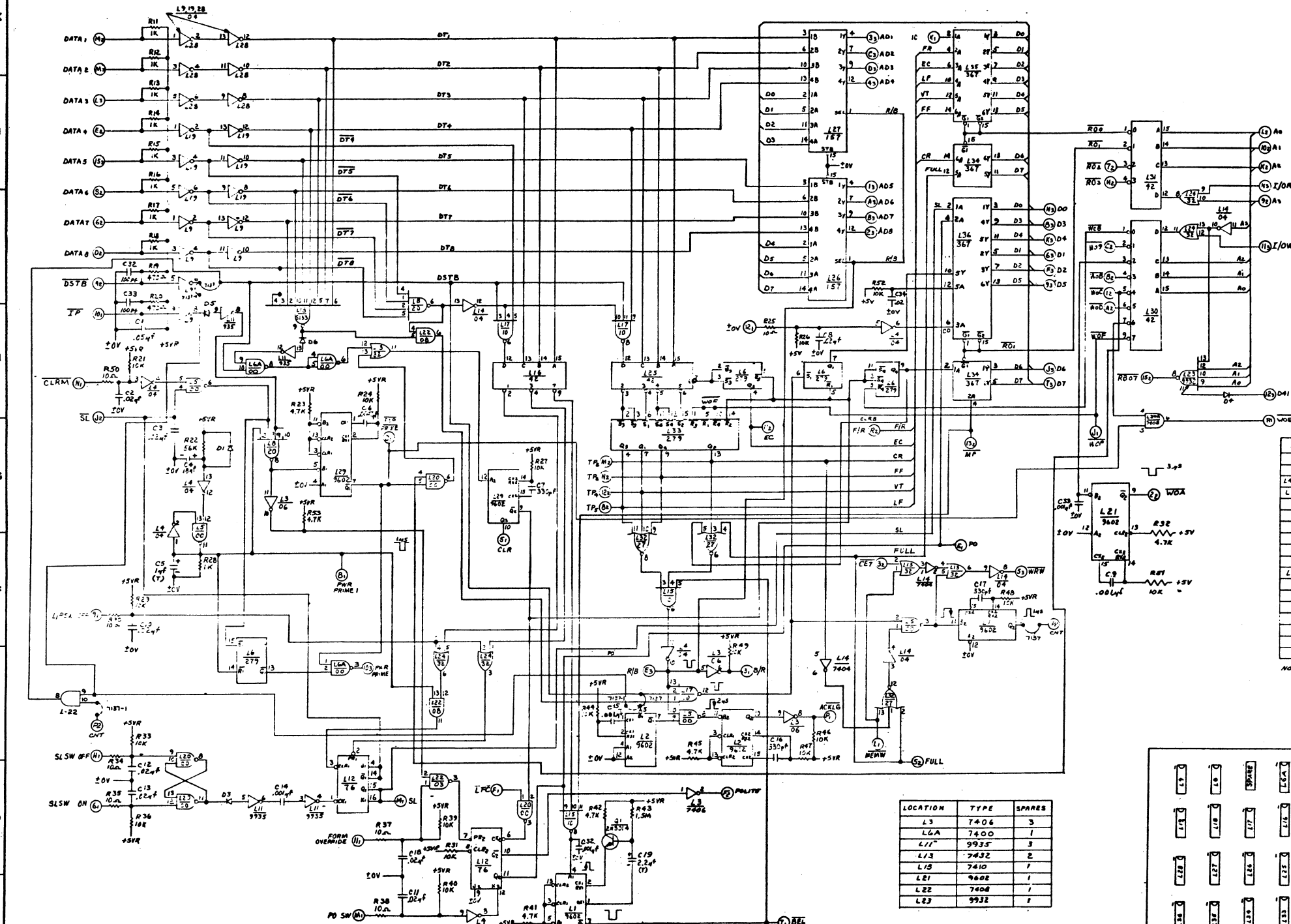
TITLE: P.S. REGULATOR & DC MOTOR DRIVE & PAPER FEED

210-7136 D 7136 6

SCALE: 1/8" = 1"

THIS DOCUMENT IS THE PROPERTY OF WANG LABORATORIES, INC. AND SHALL NOT BE REPRODUCED OR DISSEMINATED IN ANY MANNER WITHOUT THE WRITTEN PERMISSION OF WANG LABORATORIES, INC.

REV.	DESCRIPTION	QTY.
A		

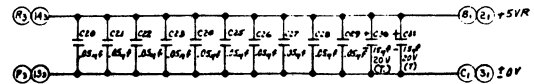
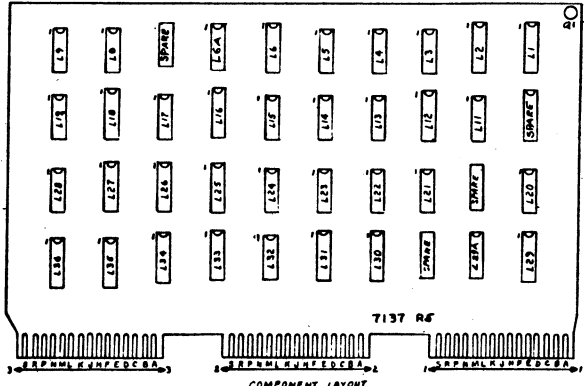
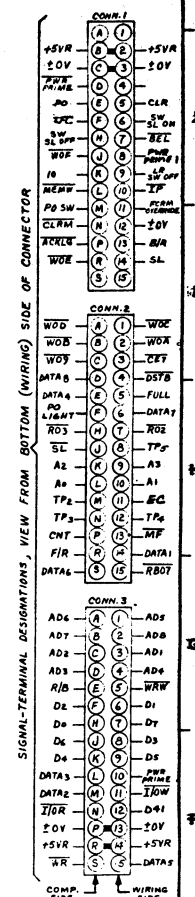


COMPONENT	W.L. PART NO.
R19, 20	330-2047
R21, 24, 26, 27, 29, 31, 33, 34, 37, 40, 44, 46-49, 51, 52, 53	330-4010
R22	330-4054
R23, 32, 41, 42, 45, 53	330-3047
R25, 30, 34, 35, 37, 50	330-1010
R11-16, R28	330-3010
R43	330-6015
D1, 3, 4, 5	300-1001
Q1	375-0017
Q1	375-9004
C1, C20-29	300-1900
C2, 3, 8, 10, 13, 15	300-1924
C4	300-4018
C5	300-4020
C6	300-1910
C7, 16, 17	300-1330
C9, 14, 15	300-1906
C34	300-1912
C19	300-4014
C30, 31	300-4022
C32, 33	300-1160

LOCATION	W.L. PART NO.	FORM. NO.	TERM. NO.
L1, 2, 21, 29	376-0104	6	16
L3	376-0055	7	14
L4, 9, 14, 19, 20	376-0010	7	14
L5, 6A, 20	376-0002	7	14
L6, 33	376-0108	8	16
L8	376-0004	7	14
L11	376-0025	7	14
L12	376-0007	13	5
L13, 24	376-0093	7	14
L15, 17	376-0003	7	14
L16, 23, 30, 31	376-0008	8	16
L18	376-0876	8	16
L22, 23A	376-0051	7	14
L27	376-0044	7	4
L26, 27	376-0092	8	16
L32	376-0125	7	14
L34, 25, 26	376-1176	8	16

NOTE: L7, 10 NOT USED

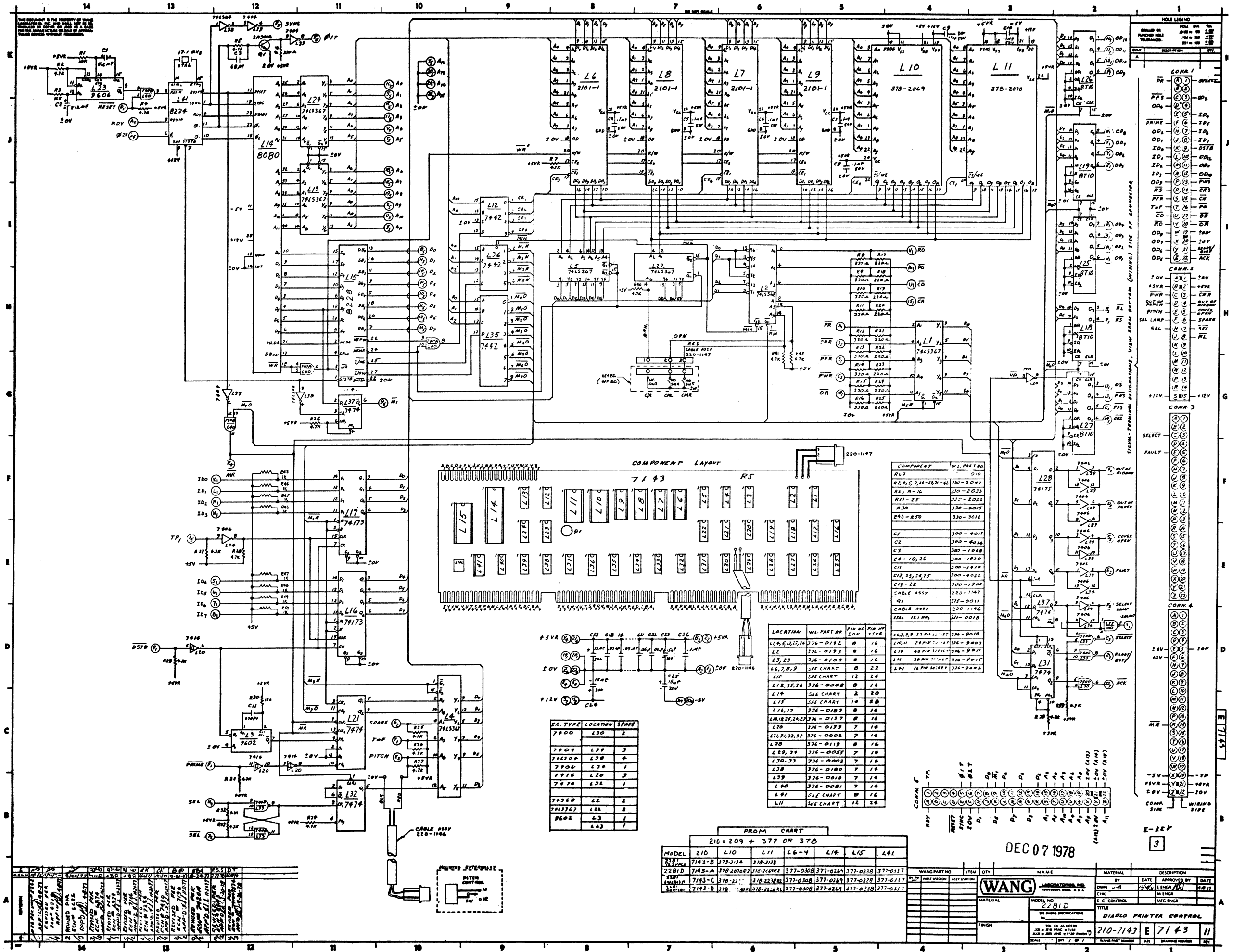
LOCATION	TYPE	SPARES
L3	7406	3
L6A	7400	1
L11	9935	3
L13	7432	2
L15	7410	1
L21	9602	1
L22	7408	1
L23	9932	1



JAN 08 1979

REV.	DESCRIPTION	DATE	BY
1	INITIAL DESIGN		
2	REVISED FOR...		
3	REVISED FOR...		
4	REVISED FOR...		
5	REVISED FOR...		
6	REVISED FOR...		
7	REVISED FOR...		
8	REVISED FOR...		
9	REVISED FOR...		
10	REVISED FOR...		
11	REVISED FOR...		
12	REVISED FOR...		
13	REVISED FOR...		
14	REVISED FOR...		

WANG PART NO.	ITEM	QTY.	NAME	MATERIAL	DESCRIPTION
2261W	1	1	7137 RF	7137 RF	7137 RF
2261W	2	1	7137 RF	7137 RF	7137 RF
2261W	3	1	7137 RF	7137 RF	7137 RF
2261W	4	1	7137 RF	7137 RF	7137 RF
2261W	5	1	7137 RF	7137 RF	7137 RF
2261W	6	1	7137 RF	7137 RF	7137 RF
2261W	7	1	7137 RF	7137 RF	7137 RF
2261W	8	1	7137 RF	7137 RF	7137 RF
2261W	9	1	7137 RF	7137 RF	7137 RF
2261W	10	1	7137 RF	7137 RF	7137 RF
2261W	11	1	7137 RF	7137 RF	7137 RF
2261W	12	1	7137 RF	7137 RF	7137 RF
2261W	13	1	7137 RF	7137 RF	7137 RF
2261W	14	1	7137 RF	7137 RF	7137 RF
2261W	15	1	7137 RF	7137 RF	7137 RF
2261W	16	1	7137 RF	7137 RF	7137 RF
2261W	17	1	7137 RF	7137 RF	7137 RF
2261W	18	1	7137 RF	7137 RF	7137 RF
2261W	19	1	7137 RF	7137 RF	7137 RF
2261W	20	1	7137 RF	7137 RF	7137 RF
2261W	21	1	7137 RF	7137 RF	7137 RF
2261W	22	1	7137 RF	7137 RF	7137 RF
2261W	23	1	7137 RF	7137 RF	7137 RF
2261W	24	1	7137 RF	7137 RF	7137 RF
2261W	25	1	7137 RF	7137 RF	7137 RF
2261W	26	1	7137 RF	7137 RF	7137 RF
2261W	27	1	7137 RF	7137 RF	7137 RF
2261W	28	1	7137 RF	7137 RF	7137 RF
2261W	29	1	7137 RF	7137 RF	7137 RF
2261W	30	1	7137 RF	7137 RF	7137 RF
2261W	31	1	7137 RF	7137 RF	7137 RF
2261W	32	1	7137 RF	7137 RF	7137 RF
2261W	33	1	7137 RF	7137 RF	7137 RF
2261W	34	1	7137 RF	7137 RF	7137 RF
2261W	35	1	7137 RF	7137 RF	7137 RF
2261W	36	1	7137 RF	7137 RF	7137 RF
2261W	37	1	7137 RF	7137 RF	7137 RF
2261W	38	1	7137 RF	7137 RF	7137 RF
2261W	39	1	7137 RF	7137 RF	7137 RF
2261W	40	1	7137 RF	7137 RF	7137 RF
2261W	41	1	7137 RF	7137 RF	7137 RF
2261W	42	1	7137 RF	7137 RF	7137 RF
2261W	43	1	7137 RF	7137 RF	7137 RF
2261W	44	1	7137 RF	7137 RF	7137 RF
2261W	45	1	7137 RF	7137 RF	7137 RF
2261W	46	1	7137 RF	7137 RF	7137 RF
2261W	47	1	7137 RF	7137 RF	7137 RF
2261W	48	1	7137 RF	7137 RF	7137 RF
2261W	49	1	7137 RF	7137 RF	7137 RF
2261W	50	1	7137 RF	7137 RF	7137 RF



HOLE LEGEND

NO.	SIZE	DESCRIPTION	QTY.
1	0.125" DIA.	LOCATED BY	1
2	0.125" DIA.	LOCATED BY	1
3	0.125" DIA.	LOCATED BY	1
4	0.125" DIA.	LOCATED BY	1
5	0.125" DIA.	LOCATED BY	1
6	0.125" DIA.	LOCATED BY	1
7	0.125" DIA.	LOCATED BY	1
8	0.125" DIA.	LOCATED BY	1
9	0.125" DIA.	LOCATED BY	1
10	0.125" DIA.	LOCATED BY	1
11	0.125" DIA.	LOCATED BY	1
12	0.125" DIA.	LOCATED BY	1
13	0.125" DIA.	LOCATED BY	1
14	0.125" DIA.	LOCATED BY	1
15	0.125" DIA.	LOCATED BY	1
16	0.125" DIA.	LOCATED BY	1
17	0.125" DIA.	LOCATED BY	1
18	0.125" DIA.	LOCATED BY	1
19	0.125" DIA.	LOCATED BY	1
20	0.125" DIA.	LOCATED BY	1
21	0.125" DIA.	LOCATED BY	1
22	0.125" DIA.	LOCATED BY	1
23	0.125" DIA.	LOCATED BY	1
24	0.125" DIA.	LOCATED BY	1
25	0.125" DIA.	LOCATED BY	1
26	0.125" DIA.	LOCATED BY	1
27	0.125" DIA.	LOCATED BY	1
28	0.125" DIA.	LOCATED BY	1
29	0.125" DIA.	LOCATED BY	1
30	0.125" DIA.	LOCATED BY	1

COMPONENT

QTY.	W.L. PART NO.	W.L. PART NO.
R1,2,3	330-210A	010
R2,4,5,7,26-28,41	330-3047	
R6,10-16	330-2033	
R17-25	330-2022	
R30	330-4015	
R43-85D	330-3010	
C1	300-4011	
C2	300-4014	
C3	300-1048	
C4-10,22	300-1930	
C11	300-1970	
C12,23,24,25	300-4022	
C13-22	300-1900	
CABLE ASSY	220-1147	
Q1	337-0011	
CABLE ASSY	220-1146	
BTAL	191-M40	281-0010

LOCATION

QTY.	W.L. PART NO.	FIN. NO.	FIN. NO.	FIN. NO.
L1,2,3,23,24	376-0192	0	16	
L2	376-0193	0	16	
L3,23	376-0104	0	16	
L6,7,8,9	376-0104	0	22	
L10	376-0104	0	24	
L12,35,36	376-0008	0	16	
L18	376-0104	0	20	
L15	376-0104	0	18	
L16,17	376-0104	0	18	
L18,19,21,24,27	376-0117	0	16	
L20	376-0117	0	18	
L14,17,22,27	376-0008	0	16	
L28	376-0117	0	16	
L29,38	376-0055	0	18	
L30,33	376-0008	0	16	
L38	376-0104	0	19	
L39	376-0010	0	16	
L40	376-0001	0	16	
L41	376-0010	0	16	
L42	376-0001	0	16	
L43	376-0001	0	16	

PROM CHART

210 = 209 + 377 OR 378

MODEL	210	L10	L11	L6-4	L14	L15	L41
7143-B	378-2134	378-2138					
2281D	378-2078	378-2692	377-0308	377-0264	377-0318	377-0337	
7143-C	378-2134	378-2138	377-0308	377-0264	377-0318	377-0337	
7143-D	378-2134	378-2138	377-0308	377-0264	377-0318	377-0337	

WANG PART NO.    ITEM    QTY.    N.A.M.E.    MATERIAL    DESCRIPTION

BY    DATE    APPROVED BY    DATE

CHK    M. ENGR.    7/98    E. ENGR.    9/87

CONTR. CONTROL    MFG ENGR.

210-7143    E 7143    11

SCALE    SHEET 7 OF 7

DEC 07 1978

REVISION

NO.	DESCRIPTION	DATE	BY
1	REVISED FOR...	...	...
2	...	...	...
3	...	...	...
4	...	...	...
5	...	...	...
6	...	...	...
7	...	...	...
8	...	...	...
9	...	...	...
10	...	...	...
11	...	...	...
12	...	...	...
13	...	...	...
14	...	...	...



6

5

4

DO NOT SCALE

3

2

1

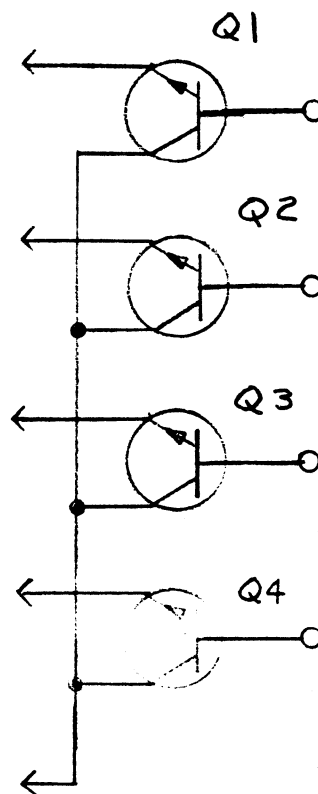
ASSM.	COMP	PT. NO.
210-7174	Q1, 2, 3, 4	375-2014
210-7174-3	Q1, 2, 4	375-2014
210-7174-2	Q1, 2	375-2014

MODEL NO. 77	MODEL NO. 72	MODEL NO. 61, 62
PC BOARD	PC BOARD	PC BOARD
210-7174	210-7174-3	210-7174-2
HARNES	HARNES	HARNES
	270-3053	270-3062

HOLE LEGEND		
DRILLED OR PUNCHED HOLE TOLERANCES:	HOLE DIA.	TOL.
	.0135 to .125	+ .003 - .001
	.126 to .250	+ .004 - .001
	.251 to .500	+ .005 - .001
IDENT.	DESCRIPTION	QTY.
A		

SIGNAL NAME & WIRE COLOR

FFPE YELLOW	FFPE YELLOW	FFS YELLOW
VTPE BLUE	VTPE BLUE	VTS BLUE
PEPE GRAY	PEPE GRAY	NOT USED Q3 NOT LOADED
SKTPE BROWN	NOT USED Q4 NOT LOADED	NOT USED Q4 NOT LOADED
+5 VOLTS RED	+5 VOLTS RED	+5 VOLTS RED

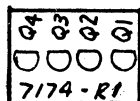


CHANNEL 7  
TOP OF FORM

CHANNEL 5  
VERTICAL TAB

CHANNEL 2  
END OF DOCUMENT

CHANNEL 1  
CHANNEL



JAN 08 1979

E. REV.

0

BY	EBA	FSS
DATE	4-13-77	2-27-78
REVISION	ORIGINATED PER DWR#E303 APP'D: AD-5/17/77	REVISED PER ECN#88006 APP'D: AD-3-3-78
NO.	0/0	1/0

WANG PART NO.	ITEM	QTY.	NAME	MATERIAL	DESCRIPTION
			<b>WANG</b> LABORATORIES, INC. TEWKSBURY, MASS. U. S. A.		
			MATERIAL	MODEL NO. 77 (2261W)	
				SEE ENGRG SPECIFICATIONS No. 77	
			FINISH	TOL. EX. AS NOTED .XX ± .010 FRAC. ± 1/64 .XXX ± .005 ANG. ± 1°30' FINISH ✓	
			SCALE 7/8	SHT 1 OF 1	
			210-7174	B	7174
			WANG PART NUMBER	SIZE	DRAWING NUMBER
					REV.

D

C

B

A

D

B

B

A

6

5

4

3

2

1

6

5

4

DO NOT SCALE

3

2

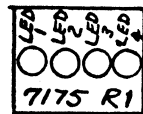
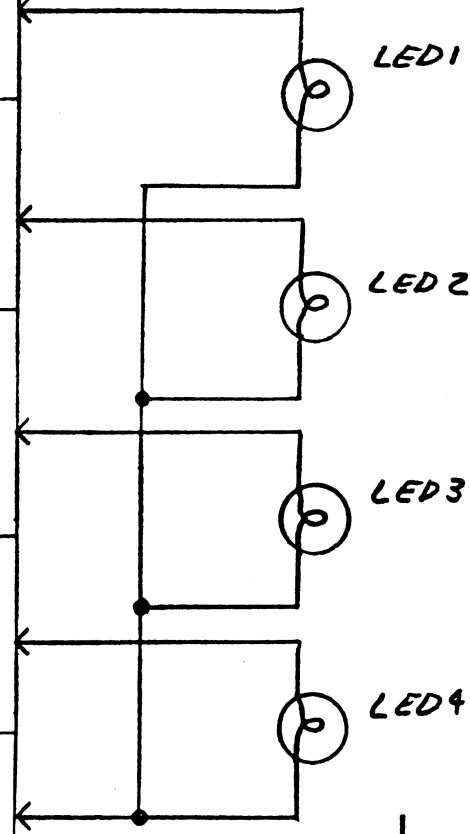
1

BD NO.	COMP	W.L. PTNO
210-7175	LED 1,2,3,4	380-0104
210-7175-3	LED 1,2,4	380-0104
210-7175-2	LED 1,2	380-0104

MODEL 77	MODEL 72	MODEL 61, 62
P.C. BOARD 210-7175	P.C. BOARD 210-7175-3	P.C. BOARD 210-7175-2
HARNESS	HARNESS 270-3053	HARNESS 270-3062

HOLE LEGEND		
DRILLED OR PUNCHED HOLE TOLERANCES:	HOLE DIA.	TOL.
	.0135 to .125	+.003 -.001
	.126 to .250	+.004 -.001
	.251 to .500	+.005 -.001
IDENT.	DESCRIPTION	QTY.
A		

SIGNAL NAME & WIRE COLOR		
FFD+ VIOLET	FFD+ VIOLET	FFD VIOLET
VTD+ ORANGE	VTD+ ORANGE	VTD ORANGE
PED+ GREEN	PED+ GREEN	NOT LOADED
SKT D+ WHITE/RED	NOT LOADED	NOT LOADED
±OV BLACK	±OV BLACK	±OV BLACK



JAN 08 1979



D

C

B

A

B 7175

B

A

NO.	REVISION	BY	DATE	F.S.S.	QTY.	ITEM	WANG PART NO.	NAME	MATERIAL	DESCRIPTION			
										BY	DATE	APPROVED BY	DATE
0	ORIGINATED PER DWR #6302	EBA	4-20-77	2-28-78				WANG LABORATORIES, INC. TEWKSBURY, MASS. U.S.A.		DWN EBA	4-15-77	E ENGR	5/2/77
1	REVISED PER ECN #8906 APP'D. 3-3-78							MODEL NO. 2221W		CHK		M ENGR	
								SEE ENGRG SPECIFICATIONS No. _____		E. C. CONTROL		MFG ENGR	
								TOL. EX. AS NOTED .XX ± .010 FRAC. ± 1/64 .XXX ± .005 ANG. ± 1°30' FINISH 128		210-7175	B	7175	1
								SCALE SHT 1 OF 1		WANG PART NUMBER	SIZE	DRAWING NUMBER	REV.

6

5

4

3

2

1

6

5

4

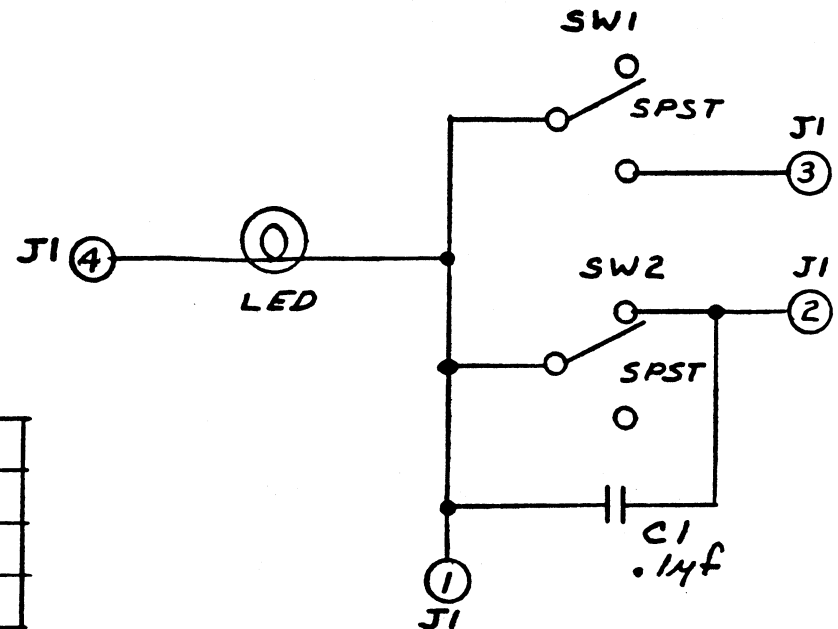
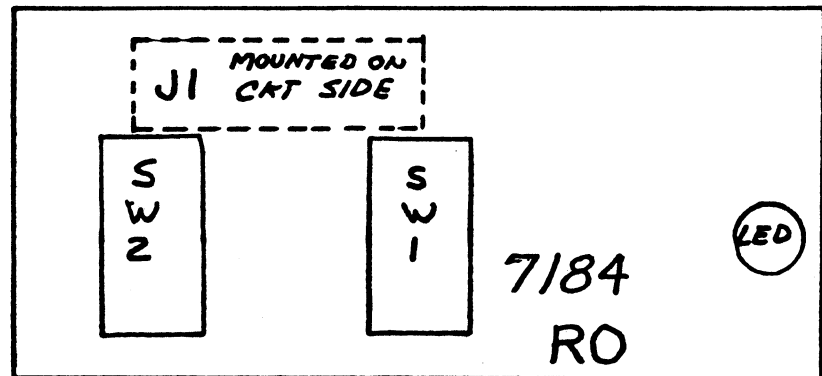
DO NOT SCALE

3

2

1

HOLE LEGEND		
DRILLED OR PUNCHED HOLE	HOLE DIA.	TOL.
	.0135 to .125	+ .003 - .001
TOLERANCES:	.126 to .250	+ .004 - .001
	.251 to .500	+ .005 - .001
IDENT.	DESCRIPTION	QTY.
A		



COMPONENTS LIST	
LED	370-0026
J1	654-1194
C1	300-1930
SW1,2	325-0031

DEC 07 1978

E-REV

0

BY	EBA
DATE	11-12-76
REVISION	0/0
NO.	0/0
DRAWN PER DWR #E243 APP'D: S. L. 11/23/76	

QTY. Per Unit	WANG PART NO.	ITEM	QTY.	NAME	MATERIAL	DESCRIPTION			
				<b>WANG</b> LABORATORIES, INC. TEWKSBURY, MASS. U. S. A.	BY	DATE	APPROVED BY	DATE	
					DWN EBA	11-12-76	E ENGR		
				MATERIAL	MODEL NO.				
					22 51				
					SEE ENGRG SPECIFICATIONS				
					No. _____				
				FINISH	TOL. EX. AS NOTED				
					.XX ± .010 FRAC. ± 1/64				
					.XXX ± .005 ANG. ± 1°30' FINISH ✓				
				SCALE 7/8	SHT 4 OF 5	210-7184	B	7184	0
						WANG PART NUMBER	SIZE	DRAWING NUMBER	REV.

D

C

B

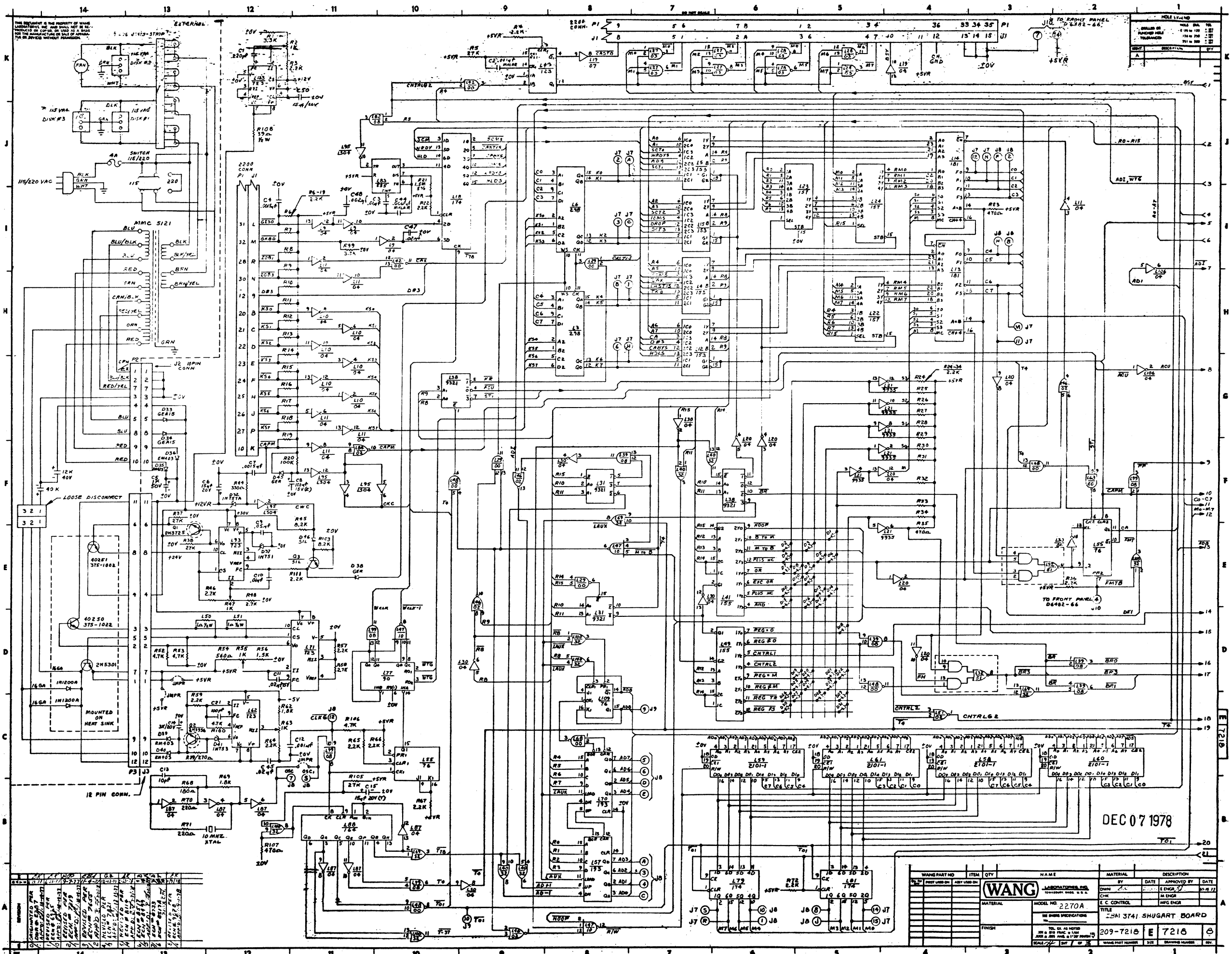
A

D

B  
7/84

B

A



NO. 11-1000

REV.	DESCRIPTION	DATE
1	ISSUED FOR PRODUCTION	11-10-78
2	REVISION	11-15-78
3	REVISION	11-20-78
4	REVISION	12-01-78

COMPONENTS PER BOARD

QTY	REF. DESIG.	VALUE	UNIT	QTY	REF. DESIG.	VALUE	UNIT
1	R1	100K	RES	1	R101	100K	RES
1	R2	100K	RES	1	R102	100K	RES
1	R3	100K	RES	1	R103	100K	RES
1	R4	100K	RES	1	R104	100K	RES
1	R5	100K	RES	1	R105	100K	RES
1	R6	100K	RES	1	R106	100K	RES
1	R7	100K	RES	1	R107	100K	RES
1	R8	100K	RES	1	R108	100K	RES
1	R9	100K	RES	1	R109	100K	RES
1	R10	100K	RES	1	R110	100K	RES

WANG

WANG PART NO.	ITEM	QTY	NAME	MATERIAL	DESCRIPTION
2770A	RES	100	100K	RES	100K RESISTOR
2770A	RES	100	100K	RES	100K RESISTOR
2770A	RES	100	100K	RES	100K RESISTOR
2770A	RES	100	100K	RES	100K RESISTOR
2770A	RES	100	100K	RES	100K RESISTOR

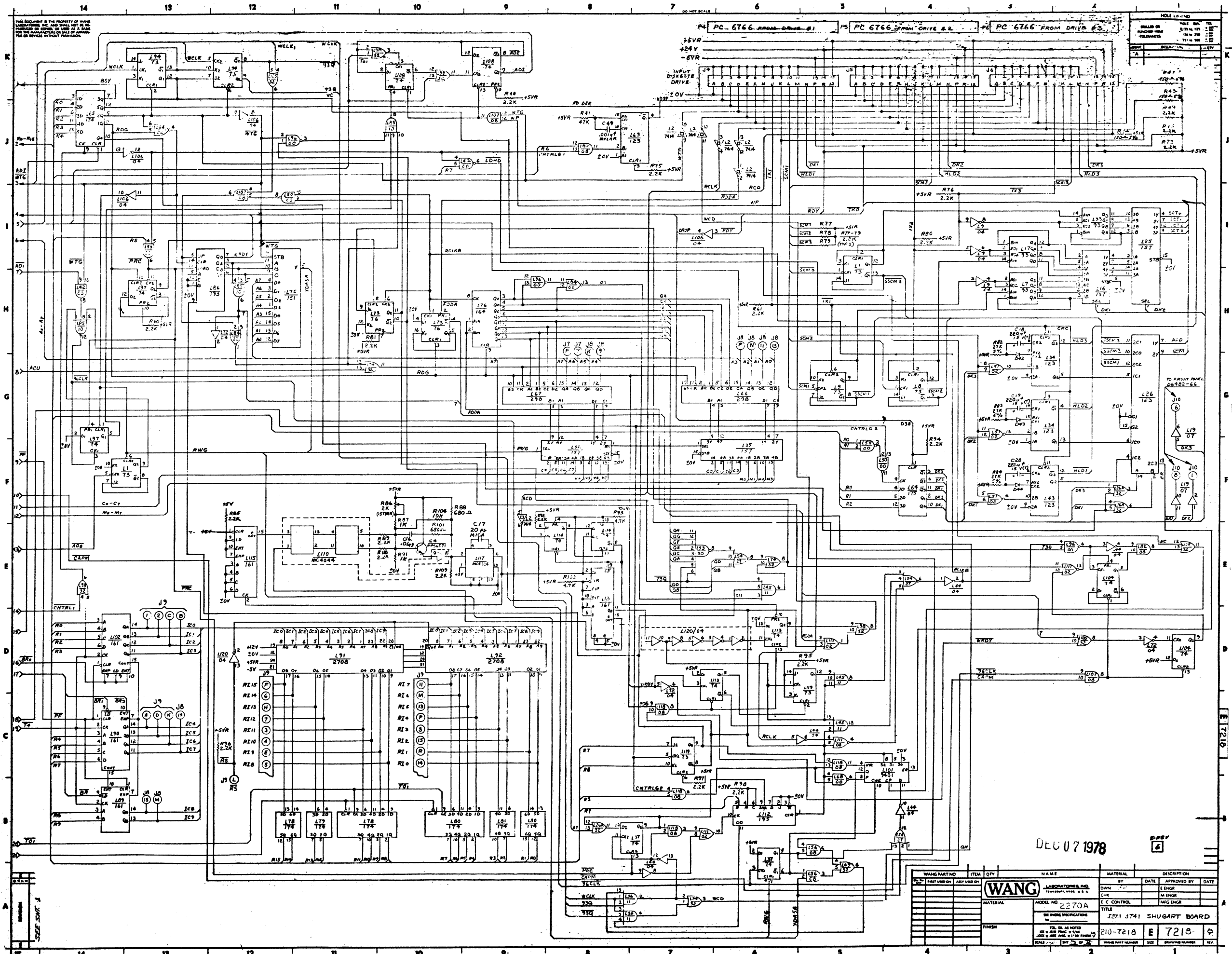
DATE: DEC 07 1978

MODEL NO: 2770A

TITLE: SHUGART BOARD

209-7218 E 7218





DEC 07 1978

WANG PART NO.	ITEM	QTY	NAME	MATERIAL	DESCRIPTION
2708	IC	1	2708	IC	2708
2709	IC	1	2709	IC	2709
2710	IC	1	2710	IC	2710
2711	IC	1	2711	IC	2711
2712	IC	1	2712	IC	2712
2713	IC	1	2713	IC	2713
2714	IC	1	2714	IC	2714
2715	IC	1	2715	IC	2715
2716	IC	1	2716	IC	2716
2717	IC	1	2717	IC	2717
2718	IC	1	2718	IC	2718
2719	IC	1	2719	IC	2719
2720	IC	1	2720	IC	2720
2721	IC	1	2721	IC	2721
2722	IC	1	2722	IC	2722
2723	IC	1	2723	IC	2723
2724	IC	1	2724	IC	2724
2725	IC	1	2725	IC	2725
2726	IC	1	2726	IC	2726
2727	IC	1	2727	IC	2727
2728	IC	1	2728	IC	2728
2729	IC	1	2729	IC	2729
2730	IC	1	2730	IC	2730
2731	IC	1	2731	IC	2731
2732	IC	1	2732	IC	2732
2733	IC	1	2733	IC	2733
2734	IC	1	2734	IC	2734
2735	IC	1	2735	IC	2735
2736	IC	1	2736	IC	2736
2737	IC	1	2737	IC	2737
2738	IC	1	2738	IC	2738
2739	IC	1	2739	IC	2739
2740	IC	1	2740	IC	2740
2741	IC	1	2741	IC	2741
2742	IC	1	2742	IC	2742
2743	IC	1	2743	IC	2743
2744	IC	1	2744	IC	2744
2745	IC	1	2745	IC	2745
2746	IC	1	2746	IC	2746
2747	IC	1	2747	IC	2747
2748	IC	1	2748	IC	2748
2749	IC	1	2749	IC	2749
2750	IC	1	2750	IC	2750
2751	IC	1	2751	IC	2751
2752	IC	1	2752	IC	2752
2753	IC	1	2753	IC	2753
2754	IC	1	2754	IC	2754
2755	IC	1	2755	IC	2755
2756	IC	1	2756	IC	2756
2757	IC	1	2757	IC	2757
2758	IC	1	2758	IC	2758
2759	IC	1	2759	IC	2759
2760	IC	1	2760	IC	2760
2761	IC	1	2761	IC	2761
2762	IC	1	2762	IC	2762
2763	IC	1	2763	IC	2763
2764	IC	1	2764	IC	2764
2765	IC	1	2765	IC	2765
2766	IC	1	2766	IC	2766
2767	IC	1	2767	IC	2767
2768	IC	1	2768	IC	2768
2769	IC	1	2769	IC	2769
2770	IC	1	2770	IC	2770
2771	IC	1	2771	IC	2771
2772	IC	1	2772	IC	2772
2773	IC	1	2773	IC	2773
2774	IC	1	2774	IC	2774
2775	IC	1	2775	IC	2775
2776	IC	1	2776	IC	2776
2777	IC	1	2777	IC	2777
2778	IC	1	2778	IC	2778
2779	IC	1	2779	IC	2779
2780	IC	1	2780	IC	2780
2781	IC	1	2781	IC	2781
2782	IC	1	2782	IC	2782
2783	IC	1	2783	IC	2783
2784	IC	1	2784	IC	2784
2785	IC	1	2785	IC	2785
2786	IC	1	2786	IC	2786
2787	IC	1	2787	IC	2787
2788	IC	1	2788	IC	2788
2789	IC	1	2789	IC	2789
2790	IC	1	2790	IC	2790
2791	IC	1	2791	IC	2791
2792	IC	1	2792	IC	2792
2793	IC	1	2793	IC	2793
2794	IC	1	2794	IC	2794
2795	IC	1	2795	IC	2795
2796	IC	1	2796	IC	2796
2797	IC	1	2797	IC	2797
2798	IC	1	2798	IC	2798
2799	IC	1	2799	IC	2799
2800	IC	1	2800	IC	2800

WANG

LABORATORIES, INC.

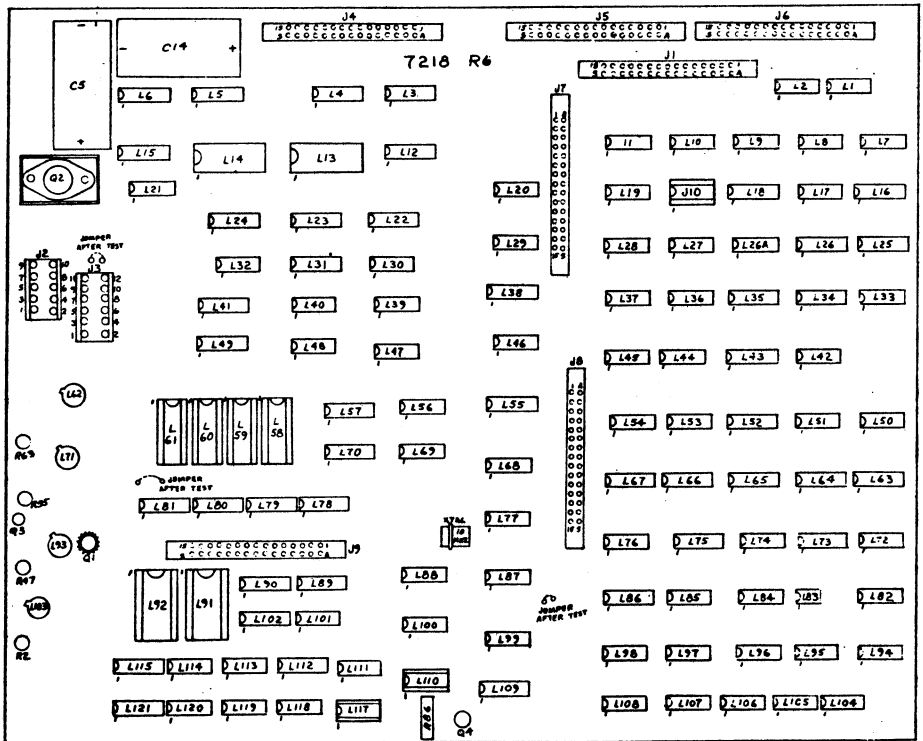
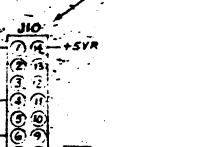
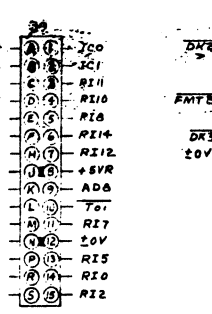
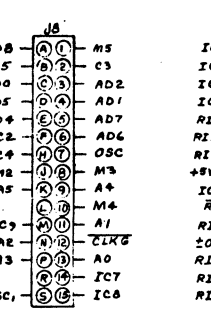
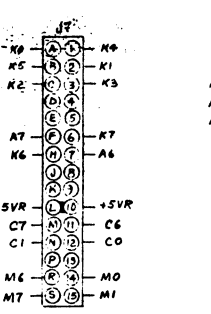
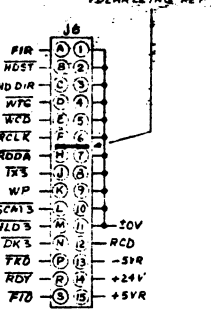
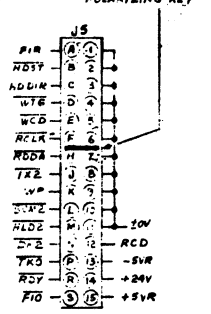
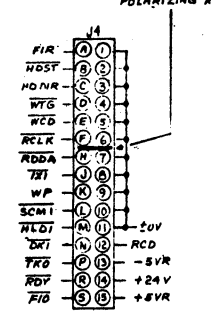
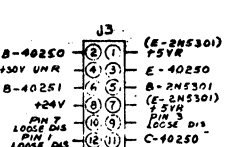
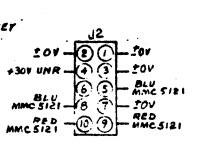
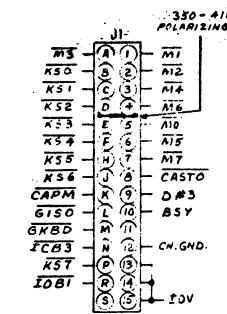
MODEL NO. 2270A

TITLE: 7210 SHUGART BOARD

DATE	APPROVED BY	DATE	DESCRIPTION
DEC 07 1978	[Signature]		7210 SHUGART BOARD

THIS DOCUMENT IS THE PROPERTY OF WANG LABORATORIES, INC. AND SHALL NOT BE REPRODUCED OR TRANSMITTED IN ANY FORM OR BY ANY MEANS, ELECTRONIC OR MECHANICAL, INCLUDING PHOTOCOPYING, RECORDING, OR BY ANY INFORMATION STORAGE AND RETRIEVAL SYSTEM.

NO.	DESCRIPTION	QTY
1		
2		
3		
4		
5		
6		
7		
8		
9		
10		
11		
12		
13		
14		

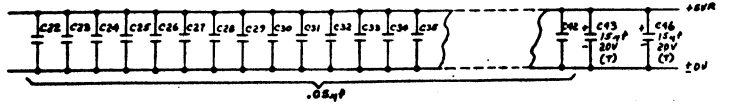


LOCATION	W.L. PART NO.	QTY	REMARKS
L1, 8, 9, 13	376-0025	11	4
L9, 11, 20, 30, 34, 73, 87, 106, 120	376-0010	7	14
L3, 4, 6, 67, 6	376-0138	8	16
L4, 5, 12, 15, 26	376-0048	8	16
L7, 17, 33	376-0011	10	5
L13, 14	376-0099	12	24
L16, 22-25, 35, 52	376-0082	8	16
L18, 65, 78, 79, 80, 81	376-0098	8	16
L19	376-0056	7	14
L21	376-0025	7	14
L27, 28	376-0028	7	14
L29, 42, 46, 50, 68, 96	376-0002	7	14
L31, 38	376-0096	8	16
L32	376-0012	7	14
L34, 43, 63	376-0080	8	16
L36, 45	376-0194	7	14
L37, 77, 104, 108, 113, 114	376-0006	7	14
L39, 56, 82, 99, 107, 118	376-0081	7	14
L24, 40, 69, 74, 98, 100, 105	376-0093	7	14
L41, 49	376-0049	8	16
L46, 51, 84, 111	376-0016	7	14
L47, 85	376-0003	7	14
L53	376-0031	7	14
L54	376-0125	7	14
L55, 73, 109	376-0007	13	5
L57, 70, 86	376-0053	8	16
L58, 59, 60, 61	376-0308	8	24
L62, 71, 93, 103	376-0066	—	—
L64	376-0119	8	16
L75	376-0047	8	16
L77	376-0073	10	5
L76, 88	376-0102	7	14
L83	376-0126	1	8
L89, 90, 102, 115, 121	376-0094	8	16
L91, 92	SEE CHART	12	24
L101	376-0250	7	14
L110	SEE CHART	7	14
L112	376-0097	8	16
L117	SEE CHART	7	14
L2	376-0189	7	14
L95	376-0180	7	14
L116	NOT USED		

LOCATION	TYPE	SPARES
L19	7407	1
L26A	7432	1
L29	7400	1
L36	7411	1
L48	7400	1
L56	7408	2
L63	74123	1
L72	7404	3
L74	7432	1
L82	7408	1
L95	741504	1
L96	7400	1
L107	7408	1
L109	7476	1

COMPONENT	W.L. PART NO.
R1, 99	330-3033
R2, 47, 55, 63	336-1014
R3, 4, 6, 13, 24-34, 34, 40, 49, 52, 54, 61, 64-67, 72, 73, 76-81, 85, 89, 90, 92, 94-96, 109-111	330-3022
R5, 37, 38, 105	330-4027
R20	330-5010
R21	330-6016
R23, 25, 107	330-2047
R39	330-2027
R41	330-4047
LIM, 80	330-2068
R44	330-2033
R45, 103	330-3082
R46, 48, 50	330-3027
R5, 51	331-0016
R52, 53, 100, 106	330-3047
R54	330-2056
R56	330-3015
R62, 69	330-3018
R68	330-2018
R70, 71	330-2322
R86	336-3036
R89, 91	330-3010
R105	331-1029
C1	300-1220
C2, 49	300-2010
C3, 10, 16	300-1903
C4, 7	300-1907
C5	300-3055
C6, 15, 43, 46, 50	300-4022
C8	300-3011
C9, 22-42	300-1900
C11, 45, 47	300-1904
C12	300-1906
C13	300-1010
C14	300-3054
R104	330-4010
C17	300-5018
C18-20	300-4045
C21	300-1100
C44	300-2068
XTAL	321-0008
DI-31, 42-44, 46	380-1001
D32	380-2091
D33, 34	380-3008
D35, 36, 39, 40	380-4000
D37	380-2051
D38, 45	380-0000
D41	380-2062
Q1	375-1027
Q2	375-1031
Q3	375-1006
Q4	375-1061
J2	654-1172
J3	654-1188
J10 14 PIN SOCKET	376-9012
24 PIN SOCKET	376-9003
22 PIN SOCKET	376-9010
J1, 4-9	350-0011
C48	300-1973
R44, 55, 76	330-2016
R42-84	330-4028
L110, 117	376-9001

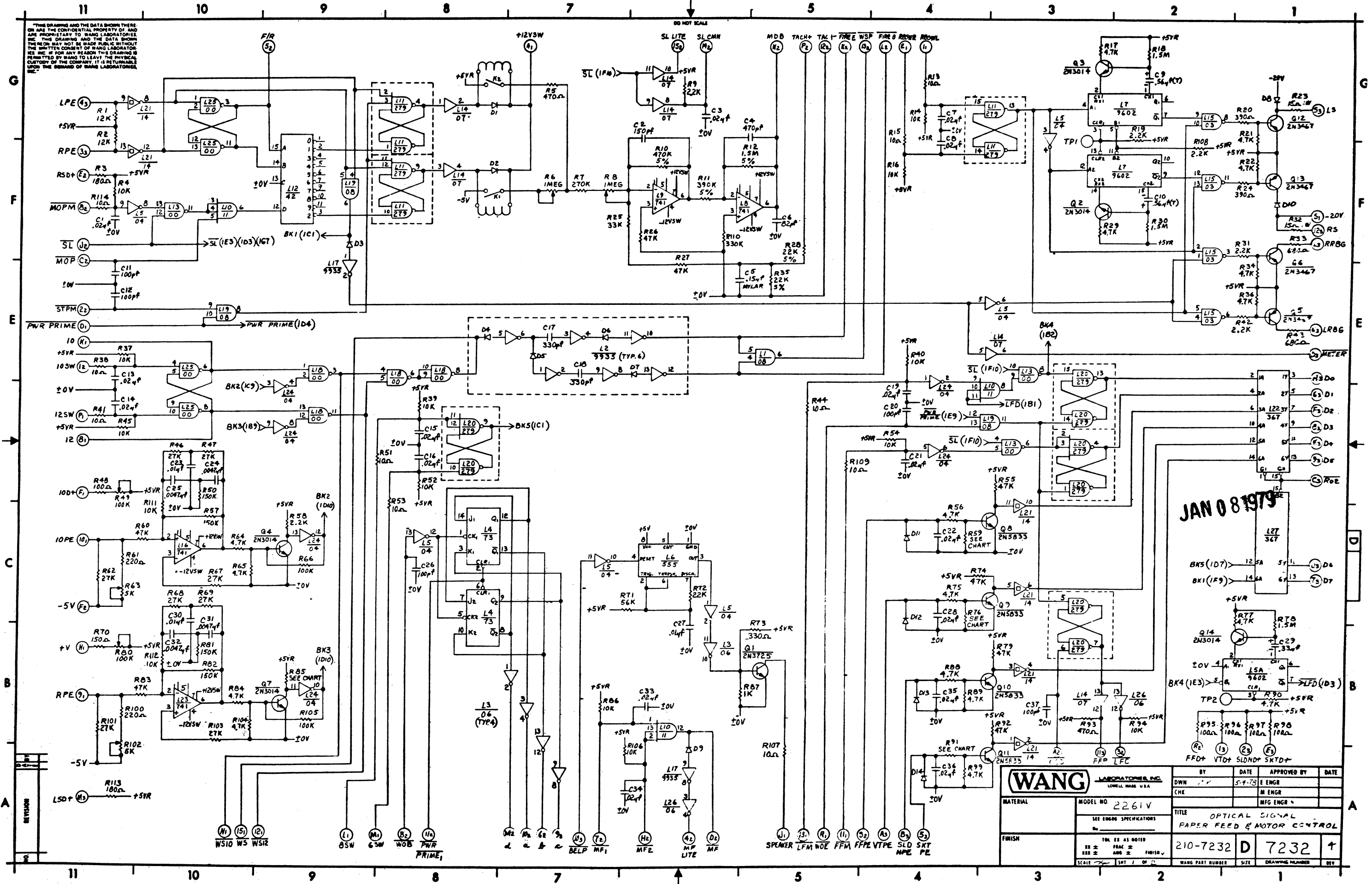
MODEL	210	L110	L117	L91	L92
2270 A	7218-A	376-0263	376-0264	378-2128	378-2129
2270 MVP	7218-B	376-0263	376-0264	378-2138	378-2139



DEC 07 1978

WANG	DATE	BY	APPROVED BY	DATE
2270A	DEC 07 1978	[Signature]	[Signature]	
210-7218				
7218				

THIS DRAWING AND THE DATA SHOWN THERE ON ARE THE CONFIDENTIAL PROPERTY OF AND ARE PROPRIETARY TO WANG LABORATORIES, INC. THIS DRAWING AND THE DATA SHOWN HEREIN MAY NOT BE MADE PUBLIC WITHOUT THE WRITTEN CONSENT OF WANG LABORATORIES, INC. IF FOR ANY REASON THIS DRAWING IS PERMITTED BY WANG TO LEAVE THE PHYSICAL CUSTODY OF THE COMPANY, IT IS RETURNABLE UPON THE DEMAND OF WANG LABORATORIES, INC.



<b>WANG</b> LABORATORIES, INC. LOWELL, MASS. U.S.A.		BY	DATE	APPROVED BY	DATE
MATERIAL		DWN	5-9-75	E ENGR	
FINISH		CHK		M ENGR	
MODEL NO. 2261V		TITLE		MFG ENGR	
SEE ENGR SPECIFICATIONS		OPTICAL SIGNAL PAPER FEED & MOTOR CONTROL			
NO. EX AS NOTED		210-7232		D 7232	
SCALE		SHEET 1 OF 2		WANG PART NUMBER	
		SIZE		DRAWING NUMBER	

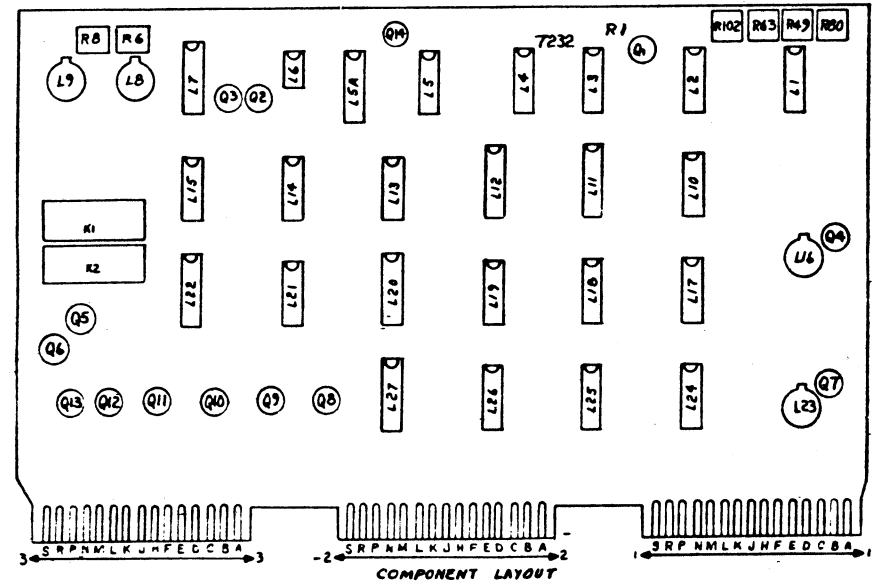
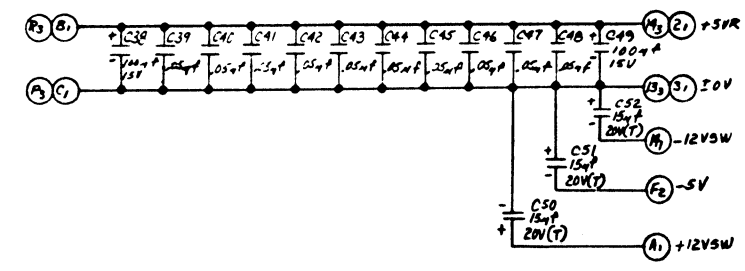
"THIS DRAWING AND THE DATA SHOWN THERE ON ARE THE CONFIDENTIAL PROPERTY OF AND ARE PROPRIETARY TO WANG LABORATORIES, INC. THIS DRAWING AND THE DATA SHOWN THEREIN MAY NOT BE MADE PUBLIC WITHOUT THE WRITTEN CONSENT OF WANG LABORATORIES, INC. IF FOR ANY REASON THIS DRAWING IS PERMITTED BY WANG TO LEAVE THE PHYSICAL CUSTODY OF THE COMPANY, IT IS RETURNABLE UPON THE DEMAND OF WANG LABORATORIES, INC."

LOCATION	TYPE	SPARES
L1	7408	3
L3	7406	1
L11	74279	1
L5A	9602	1
L13	7400	1
L17	9935	4
L13	7408	1
L26	7406	4
L27	74367	4

LOCATION	W.L. PART NO.	TYPE
L1,19	376-0081	7408
L2,17	376-0025	9935
L3,26	376-0055	7406
L4	376-0005	7473
L5,24	376-0010	7404
L5A,7	376-0104	9602
L8,9,16,23	376-0074	741
L10	376-0194	7411
L11,20	376-0188	74279
L12	376-0008	7442
L13,18,25	376-0002	7400
L14	376-0056	7407
L15	376-0028	7403
L21	376-0139	7414
L22,27	376-0176	74367
L6	376-0126	555

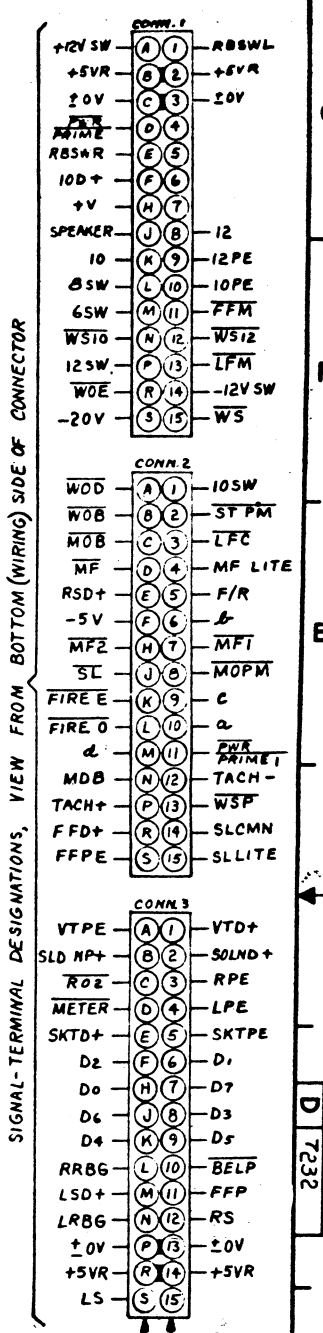
R41, 109, 114, 13, 15, 38, 44, 51, 53, 107

MODEL	210	R59,76,85,91
2261 V	7232	330-3047
2261 WC	7232-1	330-4027



COMPONENT	W.L. PART NO.	TYPE
R1,2	330-4012	12K 10%
R3,113	330-2018	180Ω 10%
R4,14,16,37,39,40,45,52,54,86,94,106,111,112	330-4010	10K 10%
R5,93	330-2047	470Ω 10%
R6,8	336-1018	1MEG POT
R7	330-5027	270K 10%
R9,19,31,42,58,108	330-3022	2.2K 10%
R10	330-5048	470K 5%
R11	330-5040	390K 5%
R12	330-6016	1.5MEG 5%
R17,21,22,29,34,36,64,65,77,84,90,104,56,75,88,89,99	330-3047	4.7K 10%
R20,24	330-2039	390Ω 10%
R23,32	332-1015	15Ω 1W 10%
R25	330-4033	33K 10%
R26,27,55,60,74,79,83,92	330-4047	47K 10%
R28,35	330-4023	22K 5%
R72	330-4022	22K 10%
R33,43	330-2068	680Ω 10%
R46,47,62,67,68,69,101,103	330-4027	27K 10%
R48, 95-98	330-2010	180Ω 10%
R50,57,81,82	330-5015	150K 10%
R61,100	330-2022	220Ω 10%
R63,102	336-1020	5K POT
R66,105	330-5010	100K 10%
R70	330-2015	150Ω 10%
R71	330-4056	56K 10%
R73	330-2033	330Ω 10%
R87	330-3010	1K 10%
C1,3,7,8,13,14,15,16,19,21,22,28,33,34,35,36	300-1904	.02μf 25V
C2	300-1150	150pf 500V
C4	300-1470	470pf 500V
C5	300-2215	.15μf MYLAR 100V
C6	300-1082	82pf 500V
C9,10	300-4010	.56μf 35V
C11,12,20,26,37	300-1100	100pf 500V
C17,18	300-1330	330pf 500V
C23,27,30	300-1903	.01μf 25V
C24,25,31,32	300-1910	.0047μf 500V
C29	300-4008	.33μf 35V
Q1	375-1027	2N3725
Q2,3,4,7,14	375-0017	2N3014
Q5,6,12,13	375-1026	2N3467
Q8,9,10,11	375-1006	2N5833
C38,49	300-3011	100μf 15V
D1-14	380-1001	D035 SIL.
K1,2	320-0047	12V REED RELAY
C39-48	300-1900	.05μf 12V
C50-52	300-4022	15μf 20V TANT
R18,30,78	330-6015	1.5M 10%
R49,80	336-1019	100K POT
R110	330-5033	330K 10%

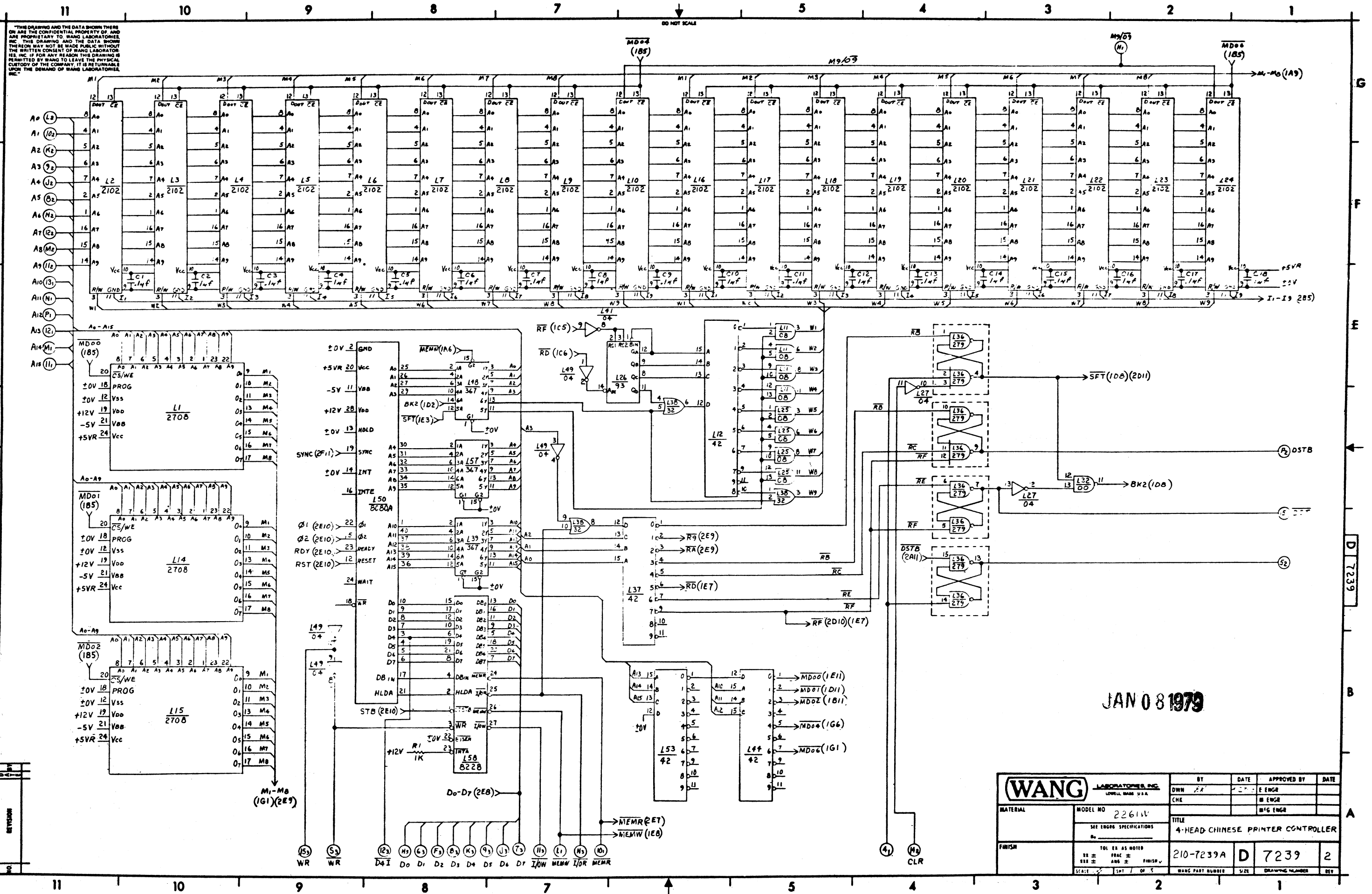
MNEMONICS	COORDINATES
a	1A7
b	1A7
c	1A7
d	1A7
D+D7	1E1
FFD+	1A2
FFM	1A5
FFPE	1A4
FIRE	1G5
FIRE 0	1G4
F/R	1G9
LFC	1A2
LFM	1A5
LPE	1G11
LRBG	1E1
LS	1G1
MDB	1G5
METER	1E1
MF	1A6
MFI	1A7
MF2	1A6
MF LITE	1A6
MOP	1F11
MOPM	1F11
PFB	1A2
PWR PRIME	1E11
PWR PRIME1	1A8
RBSWL	1G4
RBSWR	1G4
RO2	1D1
RPE	1F11
RRBG	1F1
RS	1F1
RSD+	1F11
SKTD+	1A1
SKT PF	1A4
SL	1F11
SLCMN	1G6
SLD MPT	1A1
SLD NPE	1A4
SL LITE	1G6
SPEAKER	1A5
ST PM	1E11
TACH-	1G5
TACH+	1G5
VTD+	1A1
VTPE	1A4
WOB	1A8
WOD	1A3
WOE	1A5
WS	1A10
WSP	1G5
WS10	1A10
WS12	1A9
6SW	1A8
8SW	1A9
10	1E11
10D+	1D11
10PE	1C11
10SW	1E11
12	1D11
12PE	1B11
12SW	1D11



JAN 08 1979

REV	DATE	BY	DESCRIPTION
1	7-21-78	W.S.	ORIGINATED PER
2	7-21-78	W.S.	REVISED PER
3	7-21-78	W.S.	REVISED PER
4	7-21-78	W.S.	REVISED PER
5	7-21-78	W.S.	REVISED PER
6	7-21-78	W.S.	REVISED PER
7	7-21-78	W.S.	REVISED PER
8	7-21-78	W.S.	REVISED PER
9	7-21-78	W.S.	REVISED PER
10	7-21-78	W.S.	REVISED PER

<b>WANG</b> LABORATORIES, INC. LOWELL, MASS. U.S.A.		BY: DWN	DATE: 7-21-78	APPROVED BY: E ENGR B. Chen	DATE: 7/21/78
MATERIAL: SEE ENGR SPECIFICATIONS		CHE: G.D.	MFG ENGR		
FINISH: SEE ENGR SPECIFICATIONS		TITLE: OPTICAL SIGNAL PAPER FEED & MOTOR CONTROL			
SCALE: 1:1		210-7232	D	7232	4
SCALE: 1:1		WANG PART NUMBER		SIZE	DRAWING NUMBER



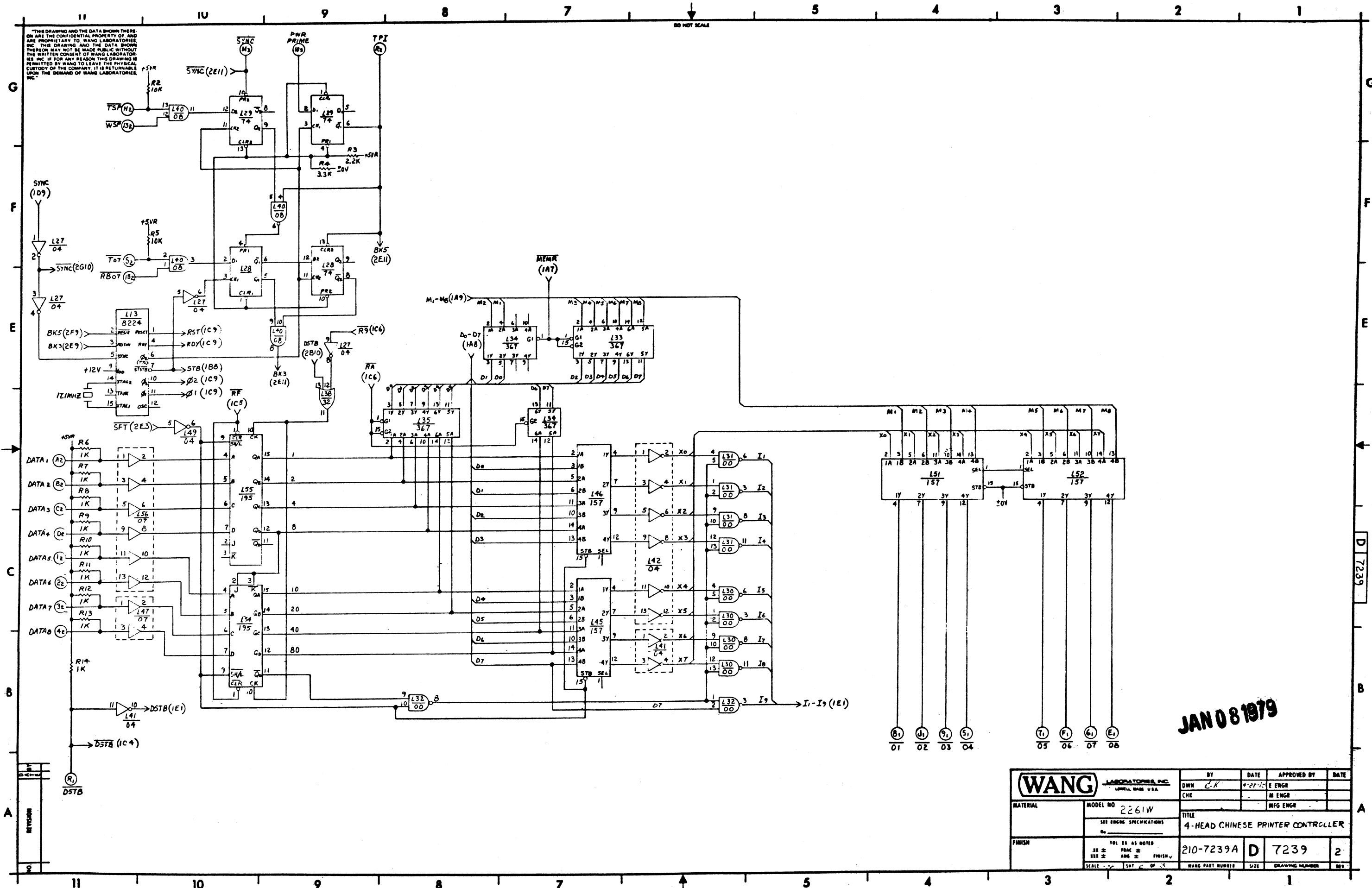
THIS DRAWING AND THE DATA SHOWN THEREON ARE THE CONFIDENTIAL PROPERTY OF, AND ARE PROPRIETARY TO, WANG LABORATORIES, INC. THIS DRAWING AND THE DATA SHOWN THEREON MAY NOT BE MADE PUBLIC WITHOUT THE WRITTEN CONSENT OF WANG LABORATORIES, INC. IF FOR ANY REASON THIS DRAWING IS PERMITTED BY WANG TO LEAVE THE PHYSICAL CUSTODY OF THE COMPANY, IT IS RETURNABLE UPON THE DEMAND OF WANG LABORATORIES, INC.

DO NOT SCALE

JAN 08 1979

<b>(WANG)</b> LABORATORIES, INC. LOWELL, MASS. U.S.A.		BY	DATE	APPROVED BY	DATE
		DWN	1-7-79	E ENGR	
MATERIAL		CHE		M ENGR	
				MFG ENGR	
MODEL NO		TITLE			
22611W		4-HEAD CHINESE PRINTER CONTROLLER			
SEE ENGR SPECIFICATIONS					
FINISH		TOL EX AS NOTED		210-7239A D 7239 2	
		SCALE		WANG PART NUMBER	
		SMT / OF 5		SIZE	
				DRAWING NUMBER	
				REV	

THIS DRAWING AND THE DATA SHOWN THEREON ARE THE CONFIDENTIAL PROPERTY OF AND ARE PROPRIETARY TO WANG LABORATORIES, INC. THIS DRAWING AND THE DATA SHOWN THEREON MAY NOT BE MADE PUBLIC WITHOUT THE WRITTEN CONSENT OF WANG LABORATORIES, INC. IF FOR ANY REASON THIS DRAWING IS PERMITTED BY WANG TO LEAVE THE PHYSICAL CUSTODY OF THE COMPANY, IT IS RETURNABLE UPON THE DEMAND OF WANG LABORATORIES, INC.



JAN 08 1979

<b>WANG</b> LABORATORIES, INC. LOWELL, MASS. U.S.A.		BY DWN CHE	DATE 1/8/79	APPROVED BY E ENGR M ENGR MFG ENGR	DATE
MATERIAL	MODEL NO 2261W SEE EDGE SPECIFICATIONS	TITLE 4-HEAD CHINESE PRINTER CONTROLLER			
FINISH	TOL. EX. AS NOTED DIM. ± ANG. ± FINISH ±	210-7239A	D	7239	2
SCALE 1/8" = 1"		WANG PART NUMBER	SIZE	DRAWING NUMBER	REV.

D 7239

A

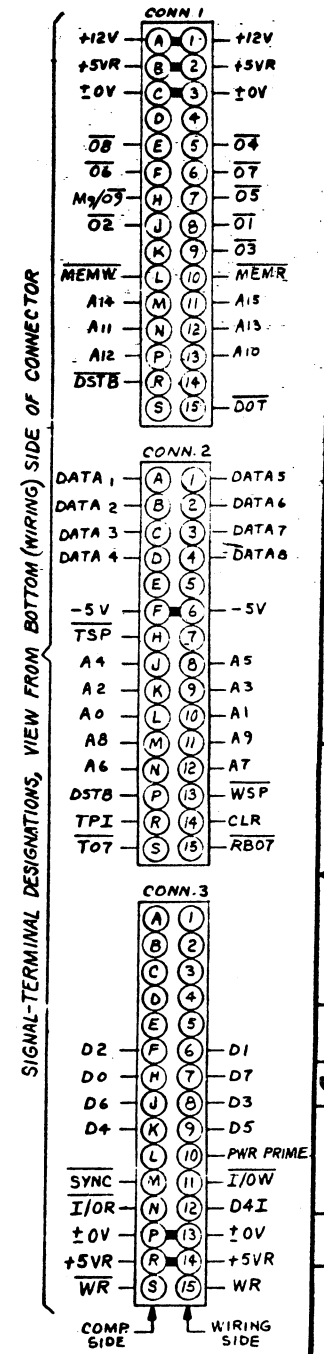
DO NOT SCALE

THIS DRAWING AND THE DATA SHOWN THEREON ARE THE CONFIDENTIAL PROPERTY OF AND ARE PROPRIETARY TO WANG LABORATORIES, INC. THIS DRAWING AND THE DATA SHOWN THEREON MAY NOT BE MADE PUBLIC WITHOUT THE WRITTEN CONSENT OF WANG LABORATORIES, INC. IF FOR ANY REASON THIS DRAWING IS PERMITTED BY WANG TO LEAVE THE PHYSICAL POSSESSION OF THE COMPANY, IT IS RETURNABLE UPON THE DEMAND OF WANG LABORATORIES, INC.

COMPONENT	W.L. PART NO.	TYPE
R1, 6-14	330-3010	1K 1/4W 10%
R2, 5	330-4010	10K 1/4W 10%
R3	330-3022	2.2K 1/4W 10%
R4	330-3033	3.3K 1/4W 10%
C1, 3, 5, 7, 11, 13, 15, 17	300-1930	1uF 50V M. FREQ
C2, 4, 6, 8, 10, 12, 14, 16, 18	300-1931	1uF 50V H. FREQ
C19-37	300-1900	.05uF 12V
C38, 39, 40, 41	300-4022	15uF 25V TANT.
XTAL	321-0018	17.1MHZ
L1, 14, 15	376-9003	24 PIN SOCKET
L2-10, 13, 16-24	376-9002	16 PIN SOCKET
L50	376-9011	40 PIN SOCKET
L58	376-9015	28 PIN SOCKET

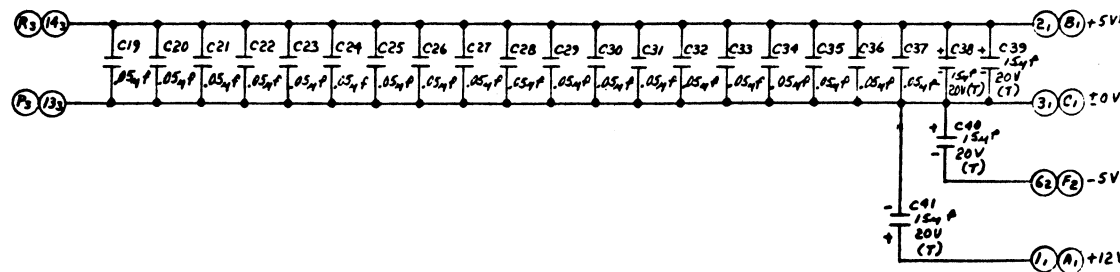
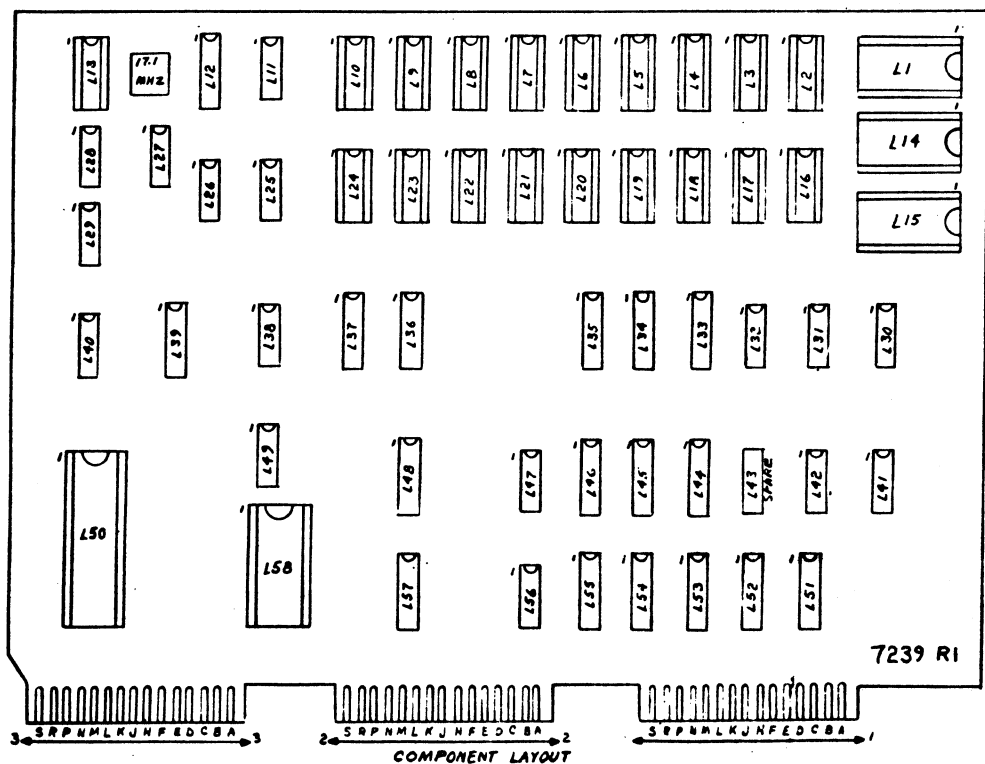
LOCATION	W.L. PART NO.	TYPE
L1, 14, 15	SEE CHART	2708
L2-10, 16-24	377-0069	2102
L11, 25, 40	376-0081	7408
L12, 37, 44, 53	376-0008	7442
L13	377-0337	8224
L26	376-0011	7493
L27, 41, 42, 49	376-0010	7404
L28, 29	376-0006	7474
L30, 31, 32	376-0002	7400
L33, 34, 35, 39, 48, 57	376-0176	74367
L36	376-0188	74279
L38	376-0093	7432
L45, 46, 51, 52	376-0082	74157
L47, 56	376-0056	7407
L50	377-0269	8080A
L54, 55	376-0097	74195
L58	377-0338	8228
L43	NOT USED	

MNEMONICS	COORDINATES
A0-A15	1F11
CLR	1A4
DATA1-DATA8	2D11
D0-D7	1A8
D0-D7	1A8
DOT	1C1
DSTB	1D1
DSTB	2A11
I1-I9	2B5
I/OR	1A7
I/OW	1A7
M1-M8	1G1
M9/O9	1G2
MD00-MD06	1B5
MEMR	1A7
MEMW	1A7
O1-O9	2B4
O1, O2	2E10
PWR PRIME	2G9
RA-RF	1C6
RBOT	2E11
RB, R9	1C6
RDY	2E10
RST	2E10
SFT	1E3
SYNC	2G10
TOT	2F11
TPI	2G9
TSP	2G11
W1-W9	1E5
WR	1A9
WR	1A9
WSP	2G11
X0-X7	2D6



LOCATION	TYPE	SPARES
L32	7400	1
L41	7404	2
L47	7407	4
L49	7404	1

MODEL	210 = 209 + 377 OR 378				
	209	210	L1	L14	L15
2261W	7239	7239A	377-0317	377-0317	377-0317
2261WC	7239	7239B	378-2190	378-2191	378-2192



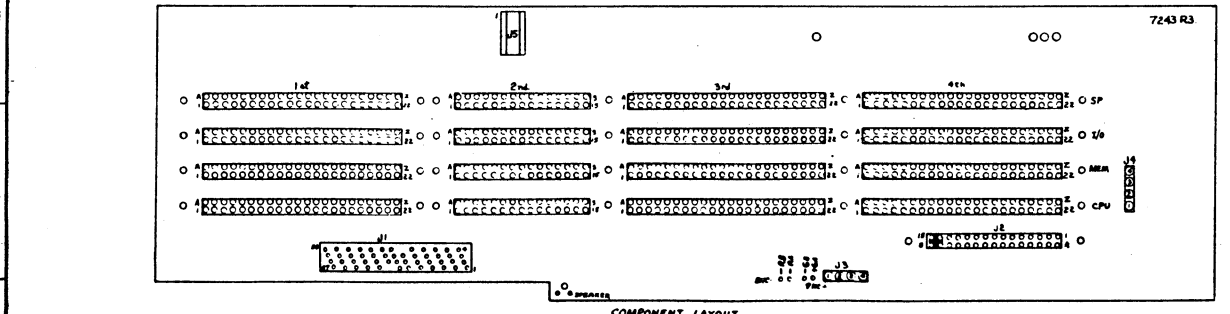
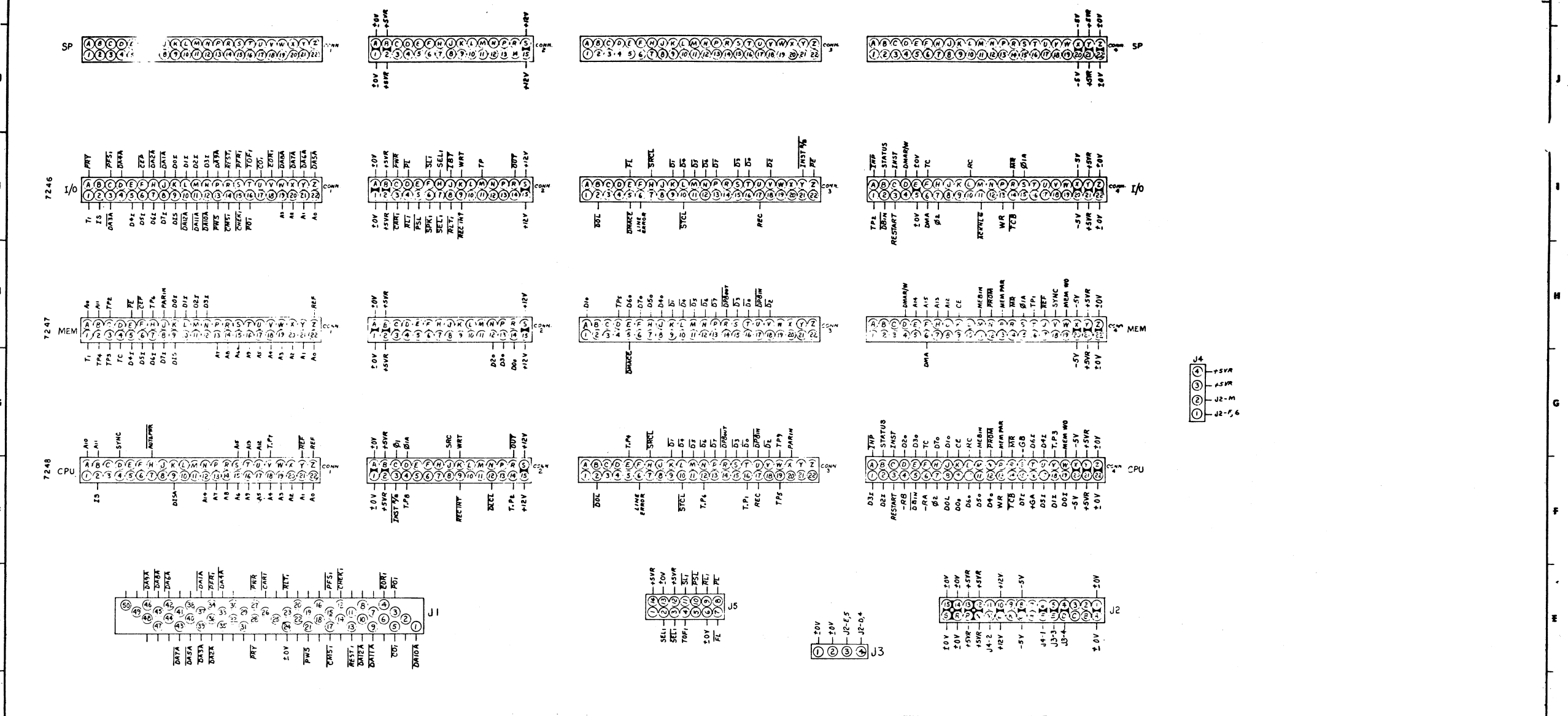
NOV 08 1979

REV	BY	DATE	DESCRIPTION
1	...	...	...
2	...	...	...
3	...	...	...

<b>(WANG) LABORATORIES, INC.</b> LOWELL, MASS. U.S.A.		BY: DWN	DATE: 4-7-76	APPROVED BY: E ENGR J. WANG	DATE: 5/1/76
MATERIAL	MODEL NO. 2261W	CHK: ...		M ENGR	
TITLE: 4-HEAD CHINESE PRINTER CONTROLLER					
FINISH	TOL. UNLESS NOTED	210-7239A	D	7239	2
SCALE: 1/8" = 1"		WANG PART NUMBER	SIZE	DRAWING NUMBER	REV

THIS DOCUMENT IS THE PROPERTY OF WANG LABORATORIES, INC. AND SHALL BE LOANED TO YOU ON THE BASIS OF A RECEIPT. IT IS TO BE RETURNED TO THE MANUFACTURER OR TO WANG LABORATORIES, INC. UPON THE COMPLETION OF THE PROJECT FOR WHICH IT WAS LOANED. IT IS NOT TO BE REPRODUCED OR TRANSMITTED IN ANY FORM OR BY ANY MEANS, ELECTRONIC OR MECHANICAL, INCLUDING PHOTOCOPYING, RECORDING, OR BY ANY INFORMATION STORAGE AND RETRIEVAL SYSTEM, WITHOUT PERMISSION.

HOLE LEGEND	
SHALED IN	HOLE DIA. TOL.
PUNCHER HOLES	.118 IN 100 ±.002
TOLERANCES	.118 IN 100 ±.002
	.251 IN 100 ±.002
DRY	DESCRIPTION
A	



COMPONENTS	W. L. PART NO.
44 PIN CONN.	350-0021
30 PIN CONN.	350-0011
44 PIN CONN (NO CAPS)	350-0039
J2	350-0009
J1	350-0405B
J3, 4	654-1194
J5	376-9012

JAN 08 1979

NO.	DESCRIPTION	DATE	BY
1	DESIGNED PER		
2	REVISED PER		
3	REVISED PER		
4	REVISED PER		
5	REVISED PER		
6	REVISED PER		

WANG PART NO.	ITEM	QTY	NAME	MATERIAL	DATE	DESCRIPTION

WANG		LABORATORIES, INC.	
MODEL NO	928	DATE	
TITLE			
PRINTER MOTHERBOARD			
FINISH		DATE	
SCALE		WANG PART NUMBER	210-7243
		SIZE	E 7243
		REV	3



6

5

4

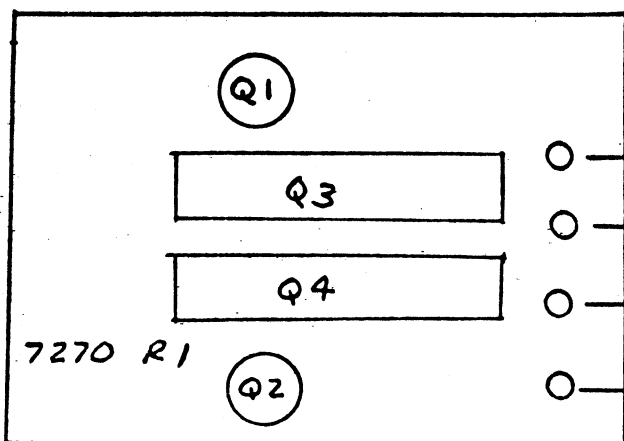
DO NOT SCALE

3

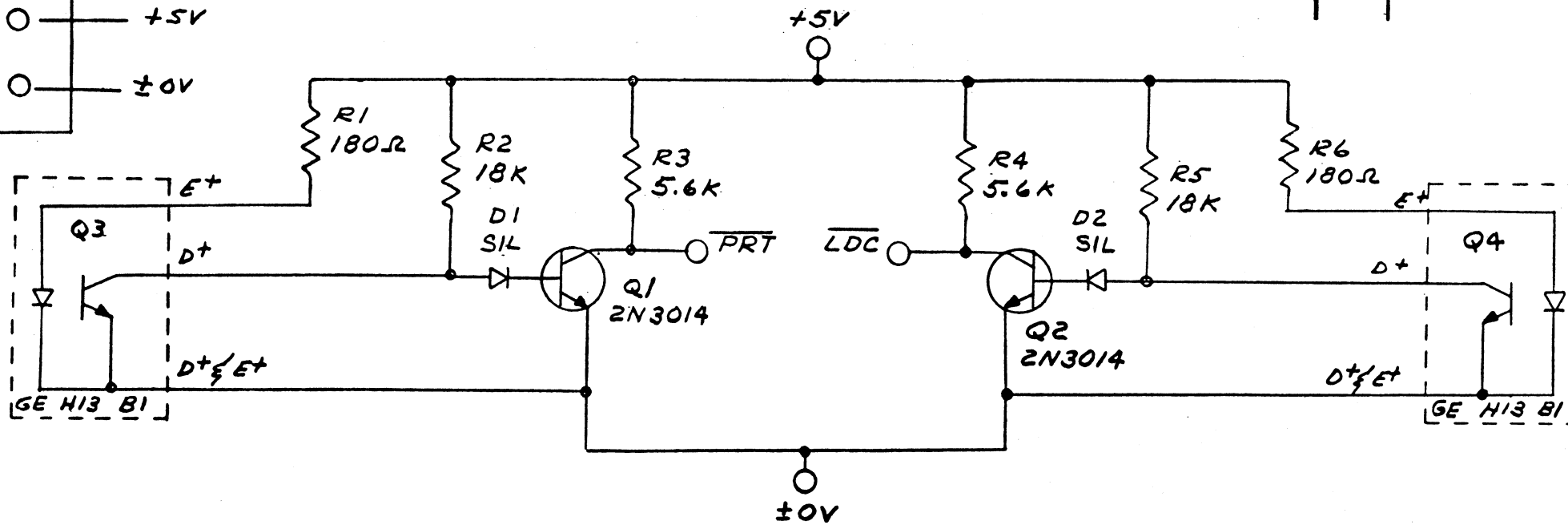
2

1

HOLE LEGEND		
DRILLED OR PUNCHED HOLE	HOLE DIA.	TOL.
	.0135 to .125	+.003 -.001
	.126 to .250	+.004 -.001
	.251 to .500	+.005 -.001
IDENT.	DESCRIPTION	QTY.
A		



COMPONENTS LIST	
D1,2	380-1001
Q1,Q2	375-0017
Q3,4	375-2103
R1,6	330-2018
R2,5	330-4018
R3,4	330-3056



JAN 08 1979

E REV

0

BY	EBA
DATE	11-12-76
REVISION	DWG # E247 APP'D JAKHD 11/22/76
NO.	0/0

WANG PART NO.	ITEM	QTY.	NAME	MATERIAL	DESCRIPTION
			<b>WANG</b>		
			LABORATORIES, INC.		
			TEWKSBURY, MASS. U. S. A.		
			MATERIAL	MODEL NO.	
				2271	
				SEE ENGRG SPECIFICATIONS	
				No. _____	
			FINISH	TOL. EX. AS NOTED	
				.XX ± .010 FRAC. ± 1/64	
				.XXX ± .005 ANG. ± 1°30' FINISH ✓	
			SCALE $\times 1$	SHT 4 OF 5	
			WANG PART NUMBER	SIZE	
			210-7270	B	
			DRAWING NUMBER	REV.	
			7270	0	

D

C

B

A

D

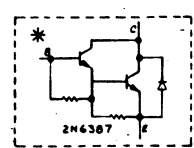
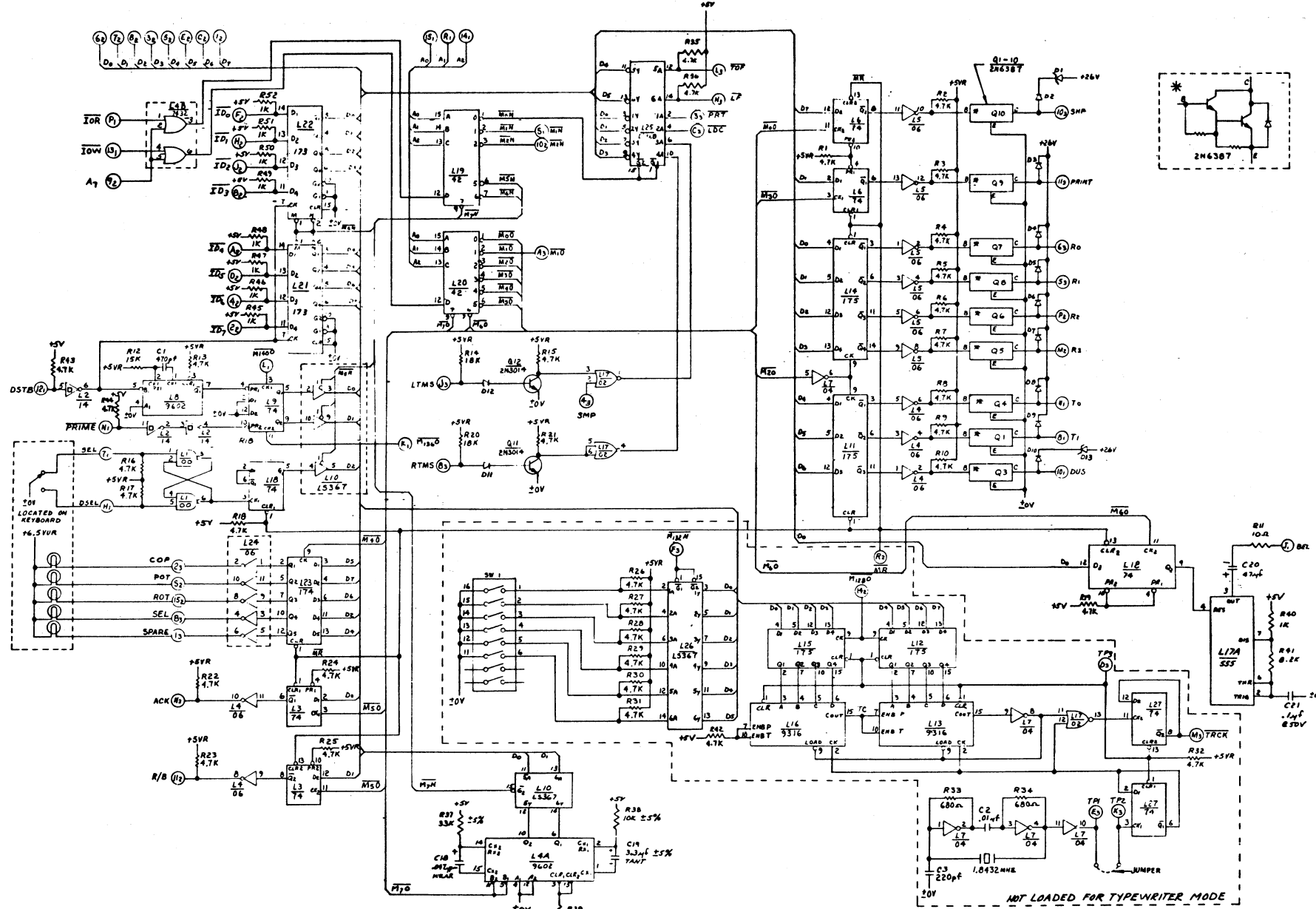
B  
7270

B

A

THIS DOCUMENT IS THE PROPERTY OF WANG LABORATORIES, INC. AND SHALL NOT BE REPRODUCED OR COPIED IN ANY MANNER FOR THE MANUFACTURE OR SALE OF ANY MACHINE OR DEVICE WITHOUT PERMISSION.

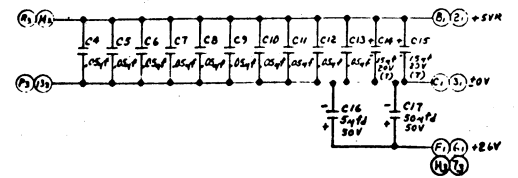
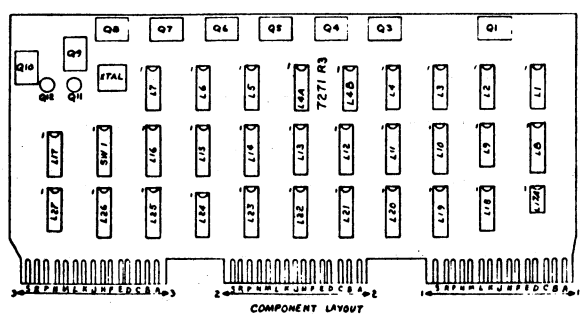
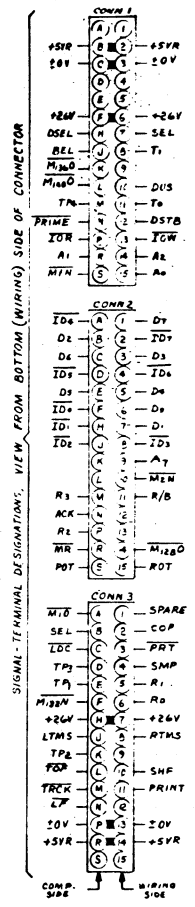
HOLE LEGEND	
DRILLER	NO. 125
FINISHER	NO. 250
DATE	NO. 500
REV.	DESCRIPTION
A	



COMPONENT	W.L. PART NO.
C21	300-1930
R1-10, 13, 15, 16, 17, 18, 19, 20, 21, 22, 23, 24	330-3047
R14, 20	330-4018
R11, 20	330-2248
R11	330-1010
C1	300-1470
C2	300-1933
C3	300-1220
C4-13	300-1930
C14, 15	300-4022
C16, 17	300-3010
R18, 19, 52	330-4015
Q13-10	375-1055
Q11, 12	375-0017
R37	330-4034
D1, 13	380-2085
D2-10	380-4335
D11, 12	380-1001
R38	330-4011
ITAL	321-0015
R40	330-3010
QV1	325-1503
R41	330-3082
C18	300-2147
C19	300-4039
C20	300-4010

LOCATION	TYPE	SPARES
L1	7400	2
L2	7414	3
L7	7404	1
L8	7402	1
L17	7402	1
L4	7406	1
L24	7406	1
L4B	7432	2

LOCATION	W.L. PART NO.	TERM. NO. 20V	TERM. NO. Vcc+5V
L1	376-0002	7	14
L2	376-0139	7	14
L3, 6, 9, 10, 11	376-0006	7	14
L4, 5, 24	376-0055	7	14
L7	376-0010	7	14
L8, 4A	376-0104	8	16
L10, 13	376-0192	8	16
L11, 14, 15	376-0119	8	16
L13, 16	376-0094	8	16
L17	376-0016	7	14
L19, 20	376-0008	8	16
L21, 22	376-0183	8	16
L23	376-0093	8	16
L17A	376-0126	1	8
L25	376-0193	8	16
L4B	376-0093	7	14



NOV 9 1970

NOTE: ALL COMPONENTS THAT ARE CIRCLED ON PARTS LIST, ARE NOT TO BE USED OR LOADED ON 7271

REV.	DESCRIPTION	DATE
1	ORIGINAL	
2	REVISED PER...	
3	REVISED PER...	
4	REVISED PER...	
5	REVISED PER...	
6	REVISED PER...	
7	REVISED PER...	
8	REVISED PER...	
9	REVISED PER...	
10	REVISED PER...	
11	REVISED PER...	
12	REVISED PER...	
13	REVISED PER...	
14	REVISED PER...	

WANG PART NO.	ITEM	QTY	NAME	MATERIAL	DESCRIPTION
210-727	1	1	SCHEMATIC LOGIBLOC		
210-727	2	1	TYPewriter I/O CONTROL		

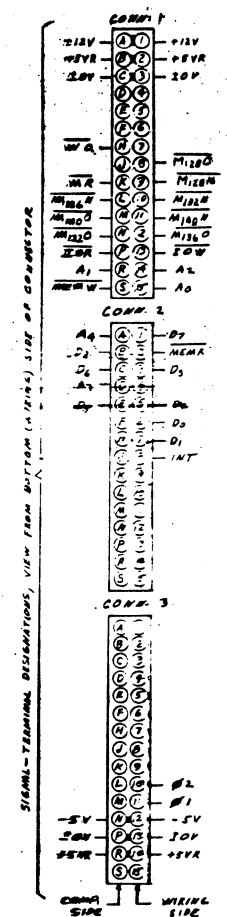
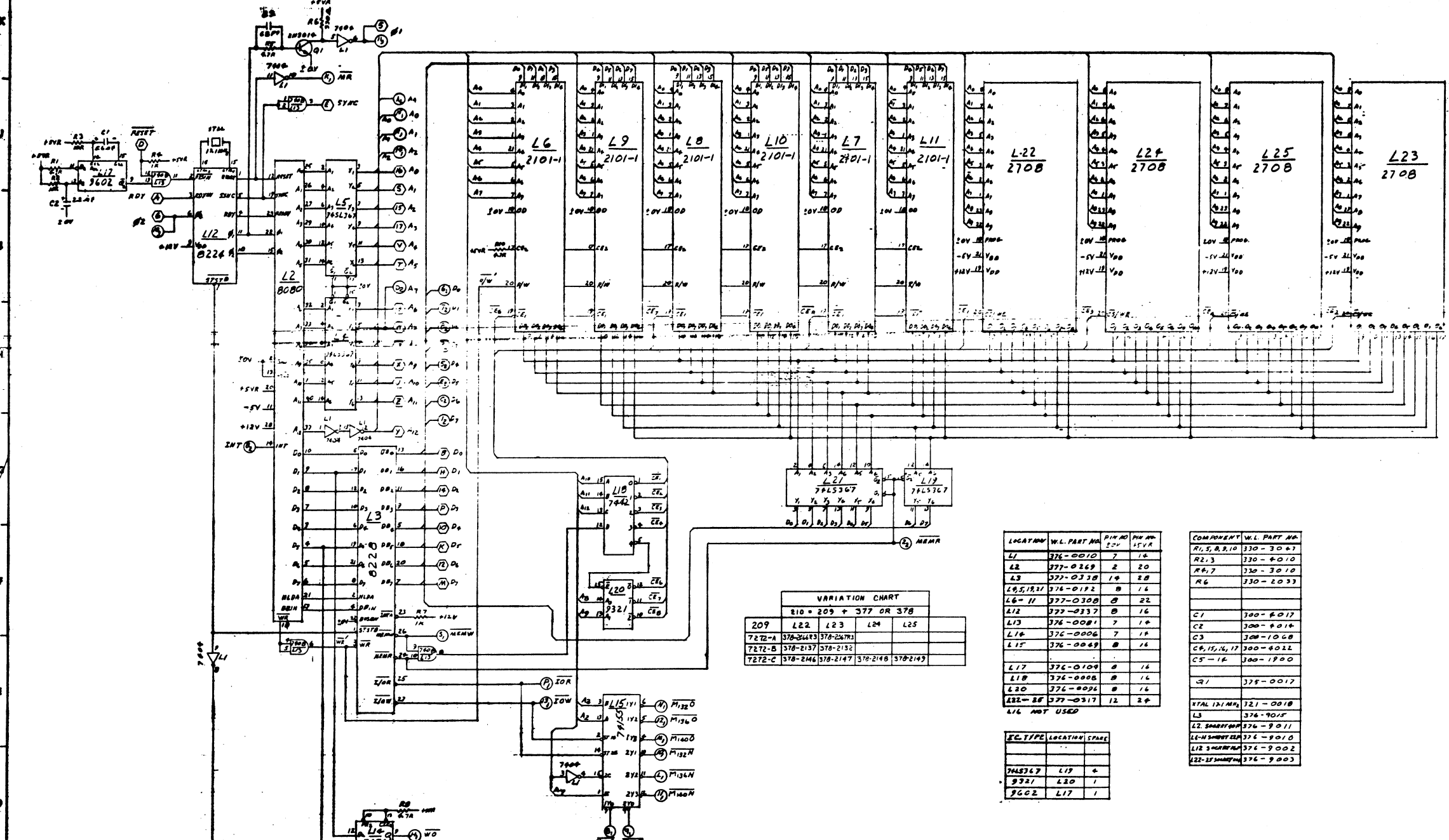
WANG LABORATORIES, INC. MODEL NO. 2271 TITLE SCHEMATIC LOGIBLOC TYPewriter I/O CONTROL

NO. OF AS NOTED: 210-727 (REV. 11/9/70) SCALE: 1:1

DATE: 11/9/70 BY: [Signature] CHECKED BY: [Signature] APPROVED BY: [Signature]

THIS DOCUMENT IS THE PROPERTY OF WANG LABORATORIES, INC. AND IS LOANED TO YOU. IT IS TO BE RETURNED TO WANG LABORATORIES, INC. ON OR BEFORE THE DATE INDICATED. IT IS NOT TO BE REPRODUCED OR TRANSMITTED IN ANY FORM OR BY ANY MEANS, ELECTRONIC OR MECHANICAL, INCLUDING PHOTOCOPYING, RECORDING, OR BY ANY INFORMATION STORAGE AND RETRIEVAL SYSTEM, WITHOUT PERMISSION IN WRITING FROM WANG LABORATORIES, INC.

HOLE LEGEND	
Ø 1/8" DIA.	Ø 1/8" DIA.
Ø 3/16" DIA.	Ø 3/16" DIA.
Ø 1/4" DIA.	Ø 1/4" DIA.
Ø 5/16" DIA.	Ø 5/16" DIA.
Ø 3/8" DIA.	Ø 3/8" DIA.
Ø 1/2" DIA.	Ø 1/2" DIA.
Ø 5/8" DIA.	Ø 5/8" DIA.
Ø 3/4" DIA.	Ø 3/4" DIA.
Ø 1" DIA.	Ø 1" DIA.



74LS367

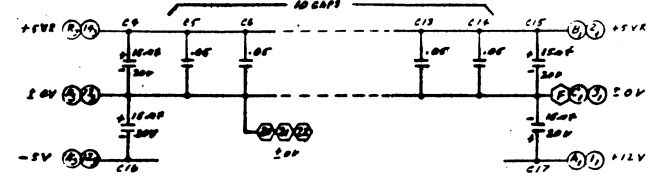
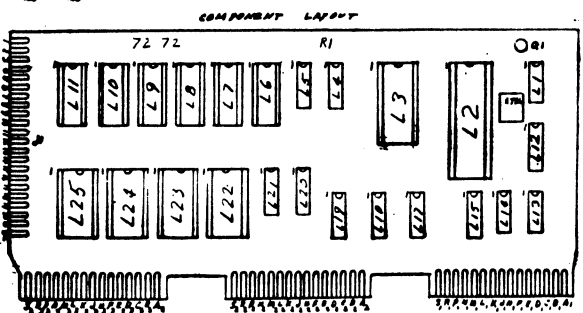
VARIATION CHART				
R10 = 209 + 377 OR 378				
209	L22	L23	L24	L25
7272-A	378-2443	378-2474		
7272-B	378-2137	378-2138		
7272-C	378-2446	378-2147	378-2148	378-2149

LOCATION	W.L. PART NO.	PIN NO.	QUANTITY
L1	376-0010	7	16
L2	377-0269	2	20
L3	377-0338	14	28
L6,5,18,11	376-0192	8	16
L6-11	377-0308	8	22
L12	377-0337	8	16
L13	376-0081	7	14
L14	376-0006	7	14
L15	376-0049	8	16
L17	376-0109	8	16
L18	376-0008	8	16
L20	376-0026	8	16
L22-28	377-0317	12	24

L16 NOT USED

COMPONENT	W.L. PART NO.
R1, 5, 8, 10	330-3047
R2, 3	330-4010
R4, 7	330-3010
R6	330-2033
C1	300-6017
C2	300-6014
C3	300-1000
C4, 15, 16, 17	300-6022
C5-14	300-1900
Q1	375-0017
ITAL IN/OUT	721-0018
L3	376-9015
L2 SMART	376-9011
L4-N SMART	376-9010
L12 SMART	376-9002
L22-25 SMART	376-9003

IC TYPE	LOCATION	SPACE
74LS367	L19	4
9321	L20	1
9602	L17	1



JAN 08 1979

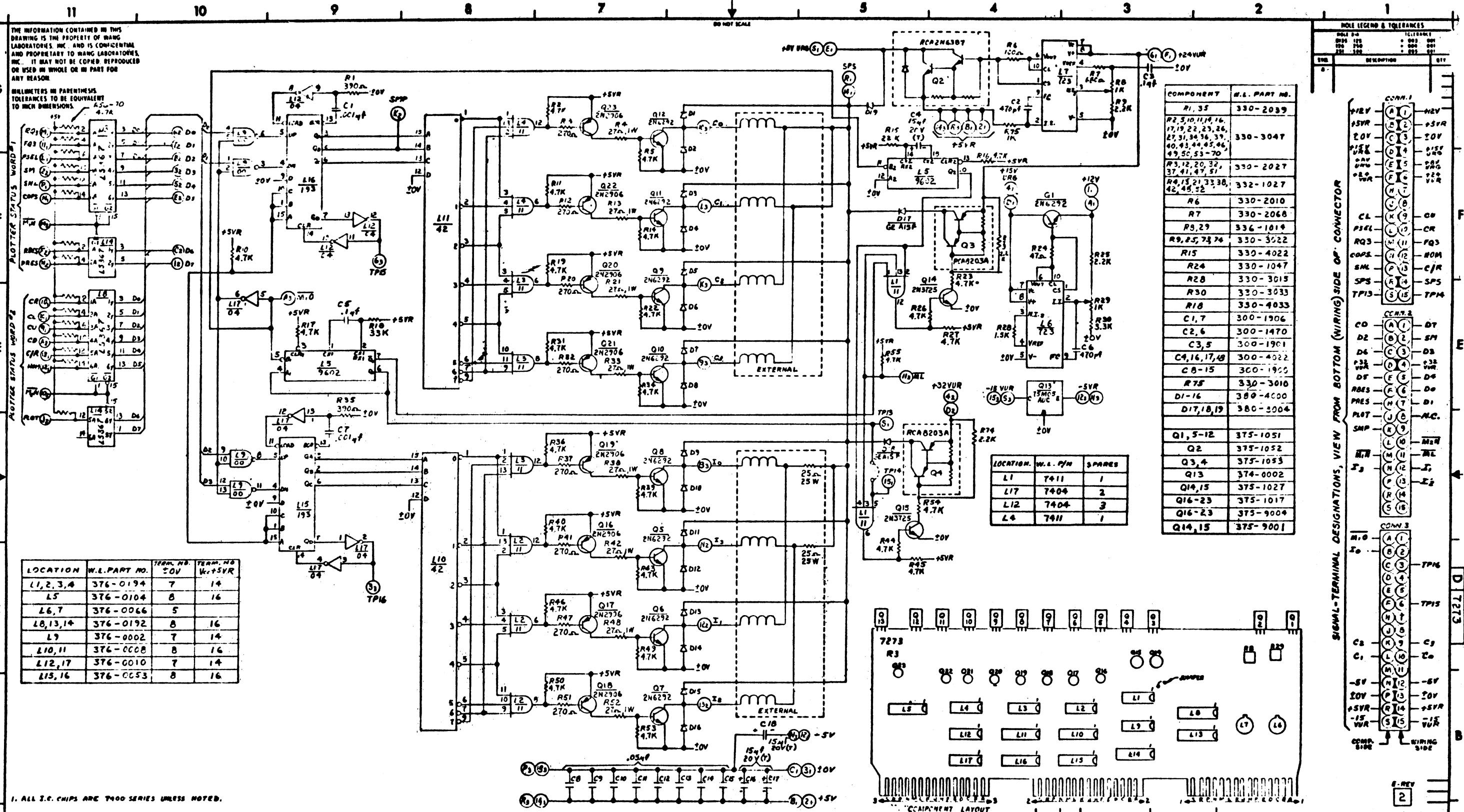
REV.	DESCRIPTION	DATE
1	ISSUED FOR MANUFACTURE	12/15/78
2	REVISED FOR MANUFACTURE	12/15/78
3	REVISED FOR MANUFACTURE	12/15/78
4	REVISED FOR MANUFACTURE	12/15/78
5	REVISED FOR MANUFACTURE	12/15/78
6	REVISED FOR MANUFACTURE	12/15/78
7	REVISED FOR MANUFACTURE	12/15/78
8	REVISED FOR MANUFACTURE	12/15/78
9	REVISED FOR MANUFACTURE	12/15/78
10	REVISED FOR MANUFACTURE	12/15/78
11	REVISED FOR MANUFACTURE	12/15/78
12	REVISED FOR MANUFACTURE	12/15/78
13	REVISED FOR MANUFACTURE	12/15/78
14	REVISED FOR MANUFACTURE	12/15/78
15	REVISED FOR MANUFACTURE	12/15/78
16	REVISED FOR MANUFACTURE	12/15/78
17	REVISED FOR MANUFACTURE	12/15/78
18	REVISED FOR MANUFACTURE	12/15/78
19	REVISED FOR MANUFACTURE	12/15/78
20	REVISED FOR MANUFACTURE	12/15/78

WANG PART NO.	ITEM	QTY	NAME	MATERIAL	DESCRIPTION
210-7272A	E	5	WRITER/PLT-TR CPO BOARD		

WANG LABORATORIES, INC. MODEL NO. 2271 TITLE: WRITER/PLT-TR CPO BOARD

DATE: 12/15/78 BY: [Signature] APPROVED BY: [Signature]

SCALE: 1/8" = 1" (SEE DRAWING FOR DIMENSIONS)



THE INFORMATION CONTAINED IN THIS DRAWING IS THE PROPERTY OF WANG LABORATORIES, INC. AND IS CONFIDENTIAL AND PROPRIETARY TO WANG LABORATORIES, INC. IT MAY NOT BE COPIED, REPRODUCED OR USED IN WHOLE OR IN PART FOR ANY REASON.

MILLIMETERS IN PARENTHESES. TOLERANCES TO BE EQUIVALENT TO HIGH DIMENSIONS.

PLOTTER STATUS WORDS 1  
PLOTTER STATUS WORDS 2

NOTICE STATUS WORDS 1  
NOTICE STATUS WORDS 2

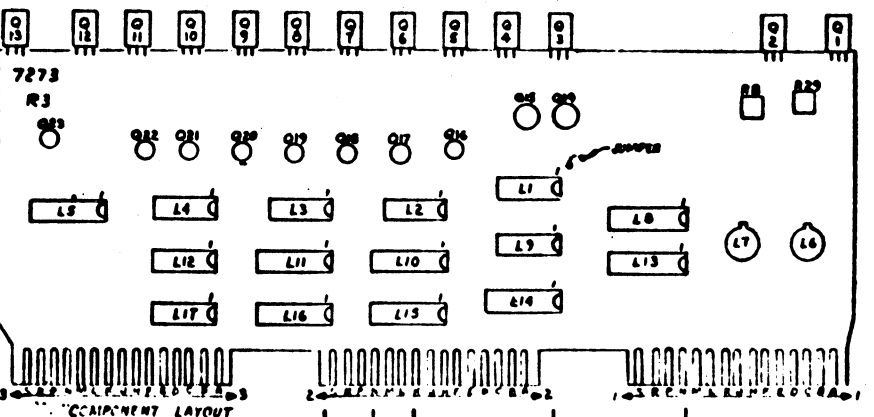
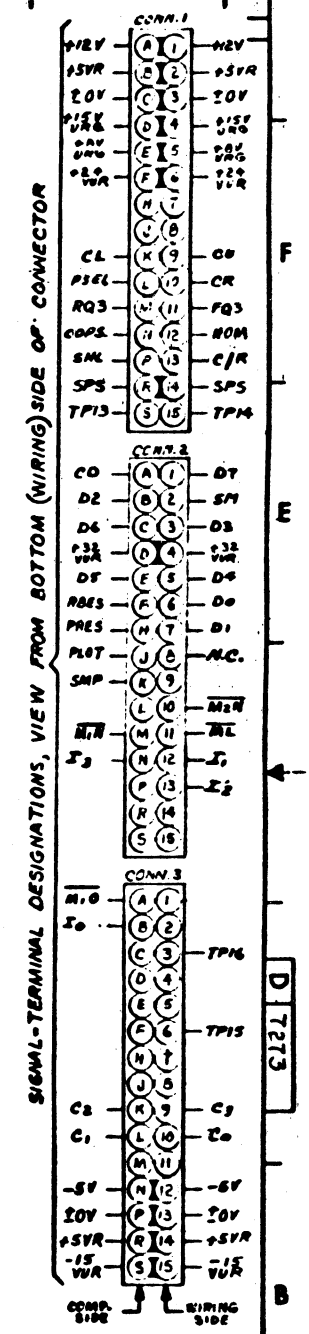
LOCATION	W.L. PART NO.	TERM. NO. 20V	TERM. NO. W. +5V
L1, 2, 3, 4	376-0194	7	14
L5	376-0104	8	16
L6, 7	376-0066	5	
L8, 13, 14	376-0192	8	16
L9	376-0002	7	14
L10, 11	376-0008	8	16
L12, 17	376-0010	7	14
L15, 16	376-0053	8	16

1. ALL I.C. CHIPS ARE 7400 SERIES UNLESS NOTED.

SYMBOL	DESCRIPTION	QTY
Q1-Q17	TRANSISTOR	17
R1-R55	RESISTOR	55
C1-C14	CAPACITOR	14
L1-L17	INDUCTOR	17

COMPONENT	W.L. PART NO.
R1, 35	330-2039
R2, 5, 10, 11, 14, 16, 17, 19, 22, 23, 26, 27, 31, 34, 36, 37, 40, 43, 44, 45, 46, 49, 50, 53-70	330-3047
R3, 12, 20, 32, 37, 41, 47, 51	330-2027
R4, 15, 21, 33, 38, 42, 48, 52	332-1027
R6	330-2010
R7	330-2068
R8, 29	336-1019
R9, 25, 74, 76	330-3022
R15	330-4022
R24	330-1047
R28	330-3015
R30	330-3033
R18	330-4033
C1, 7	300-1906
C2, 6	300-1470
C3, 5	300-1901
C4, 16, 17, 18	300-4022
C8-15	300-1900
R75	330-3010
D1-16	380-4000
D17, 18, 19	380-3004
Q1, 5-12	375-1051
Q2	375-1052
Q3, 4	375-1053
Q13	374-0002
Q14, 15	375-1027
Q16-23	375-1017
Q16-23	375-9004
Q14, 15	375-9001

LOCATION	W.L. P/N	SPARES
L1	7411	1
L17	7404	2
L12	7404	3
L4	7411	1



REV	DESCRIPTION	DATE	BY	APPROVED BY	DATE
1	INITIAL DESIGN	11/17/73	W. J. W.	W. J. W.	11/17/73
2	REVISED PER WANG PART NO. 2271	11/17/73	W. J. W.	W. J. W.	11/17/73

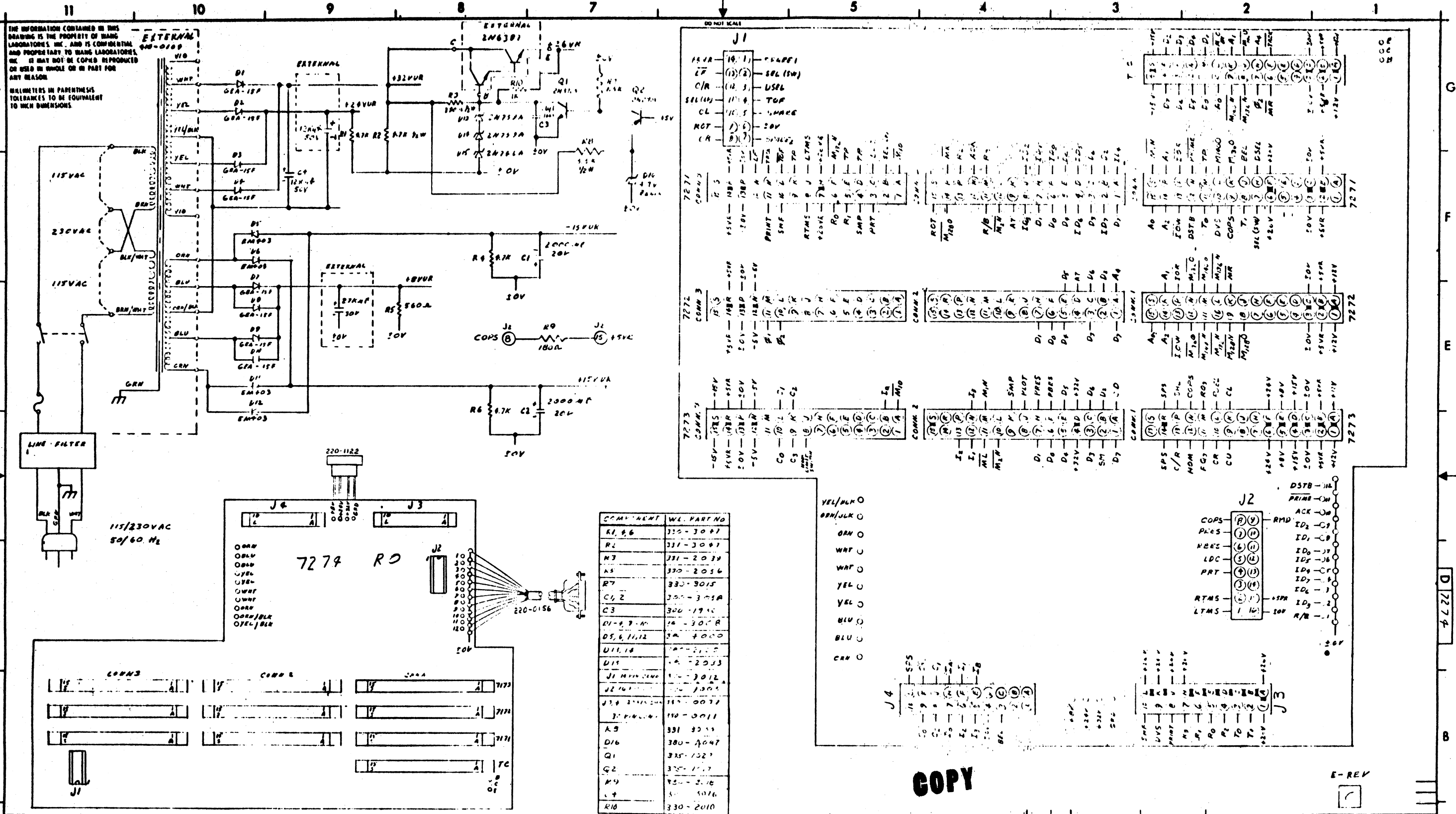
  

QTY	ITEM	WANG PART NO.	DRAWING NO.	DESCRIPTION
1	W. J. W.	2271	D 7273	WRITER/PLOTTER DRIVER

COPY

THE INFORMATION CONTAINED IN THIS DRAWING IS THE PROPERTY OF WANG LABORATORIES, INC. AND IS CONFIDENTIAL AND PROPRIETARY TO WANG LABORATORIES, INC. IT MAY NOT BE COPIED, REPRODUCED OR USED IN WHOLE OR IN PART FOR ANY REASON.

MILLIMETERS IN PARENTHESES TOLERANCES TO BE EQUIVALENT TO MICH DIMENSIONS.



REV.	DESCRIPTION	DATE
1	REVISED TO ACCOMMODATE...	1-18-77
2	REVISED TO ACCOMMODATE...	2-10-77
3	REVISED TO ACCOMMODATE...	3-10-77
4	REVISED TO ACCOMMODATE...	4-10-77
5	REVISED TO ACCOMMODATE...	5-10-77
6	REVISED TO ACCOMMODATE...	6-10-77
7	REVISED TO ACCOMMODATE...	7-10-77
8	REVISED TO ACCOMMODATE...	8-10-77
9	REVISED TO ACCOMMODATE...	9-10-77
10	REVISED TO ACCOMMODATE...	10-10-77
11	REVISED TO ACCOMMODATE...	11-10-77

**COPY**

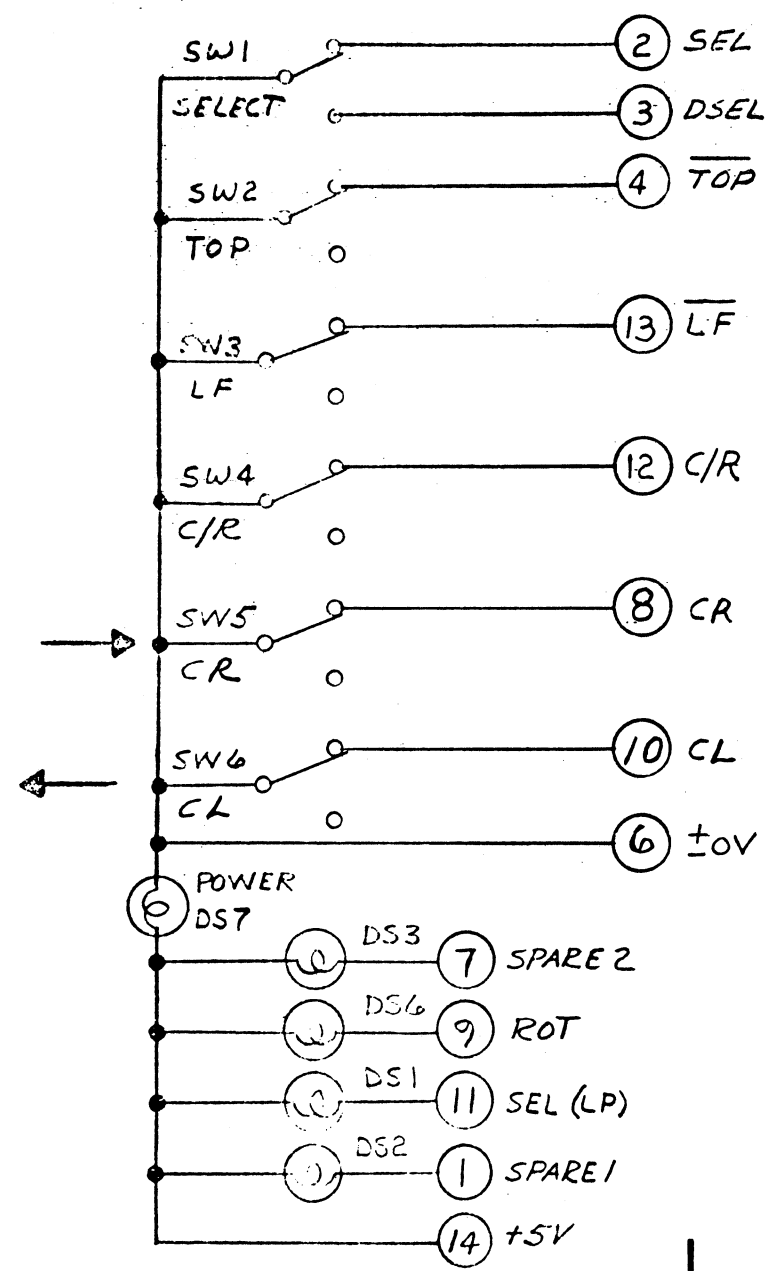
WANG PART NO.	DRAWING NO.	DESCRIPTION
<b>(WANG)</b>		
MATERIAL	MODEL NO.	TITLE
		<b>WRITER BOARD (WRITER PLOTTER)</b>
FINISH	ISSUE AS NOTED	DATE
		210-7274 D 7274
BY	DATE	APPROVED BY
CHE	1/17/77	M ENGR
		MFG ENGR

D 7274

E-REV

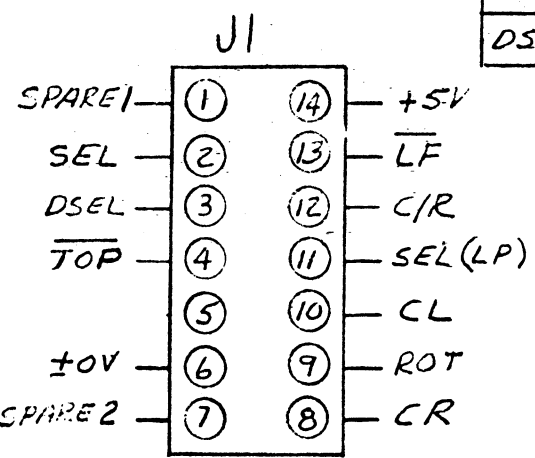
DO NOT SCALE

6 5 4 3 2 1



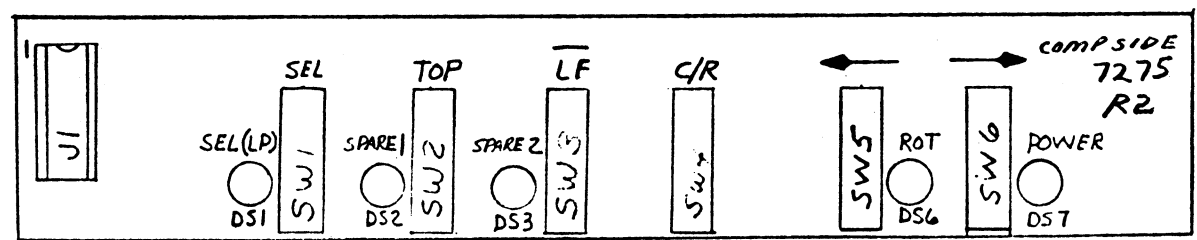
COMPONENT	W.L. PT. NO.
DS1-7	370-0015
SW1-6	325-2305
J1	376-9008
DS1-7	370-1020
DS1-7	652-3002

HOLE LEGEND		
DRILLED OR PUNCHED HOLE TOLERANCES:	HOLE DIA.	TOL.
	.0135 to .125	+ .003 - .001
	.126 to .250	+ .004 - .001
	.251 to .500	+ .005 - .001
IDENT.	DESCRIPTION	QTY
A		



NOTE: DS2, DS3 NOT LOADED.

JAN 08 1979



F. REV  
0

REVISION	DATE	BY	DESCRIPTION
1	1/10/77	F. LEE	REVISED PER CON # 6981
2	1/16/77	F. LEE	REVISED PER CON # 7051

WANG PART NO.	ITEM	QTY.	NAME	MATERIAL	DESCRIPTION
			<b>WANG</b> LABORATORIES, INC. TEWKSBURY, MASS. U. S. A.		
			MODEL NO. 2271		
			SEE ENGRG SPECIFICATIONS No. _____		
			TOL. EX. AS NOTED .XX ± .010 FRAC. ± 1/64 .XXX ± .005 ANG. ± 1° 30' FINISH ✓		
			SCALE	SHT. OF.	
			210-7275	B	7275
			WANG PART NUMBER	SIZE	DRAWING NUMBER
					REV. 2

D  
C  
B  
A

D  
B  
B  
A

7275

6

5

4

DO NOT SCALE

3

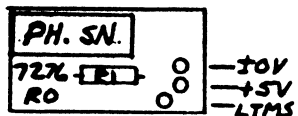
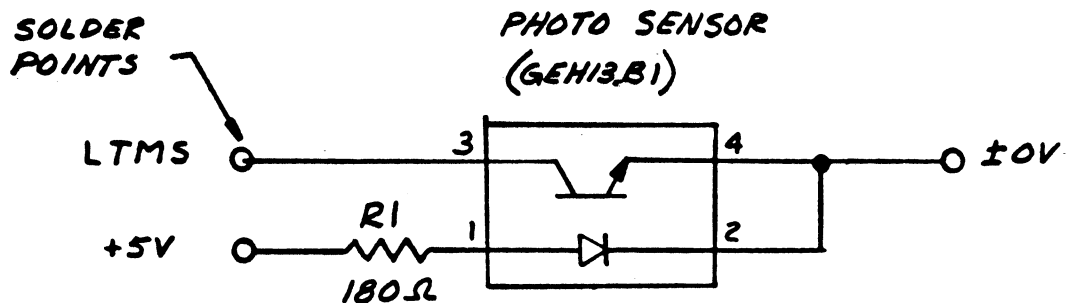
2

1

COMP.	WL PT NO.
R1	330-2018
PH. SN.	375-2107

HOLE LEGEND		
DRILLED OR PUNCHED HOLE TOLERANCES:	HOLE DIA.	TOL.
	.0135 to .125	+ .003 - .001
	.126 to .250	+ .004 - .001
	.251 to .500	+ .005 - .001

IDENT.	DESCRIPTION	QTY.
A		



JAN 08 1979

E. REV. 0

NO.	REVISION	BY	DATE	QTY.	ITEM	WANG PART NO.	NAME	MATERIAL	DESCRIPTION				
									BY	DATE	APPROVED BY	DATE	
01	ORIGINATED PER DWR#E312 APPD AL 3-21-77	EBA	3-1-77				<b>WANG</b> LABORATORIES, INC. TEWKSBURY, MASS. U. S. A.			DWN EBA	3-1-77	E ENGR Francis Lee	3/21/77
							MODEL NO. 2271			CHK [Signature]	3-21-77	M ENGR	
							SEE ENGRG SPECIFICATIONS No. _____			E. C. CONTROL		MFG ENGR	
							TOL. EX. AS NOTED .XX ± .010 FRAC. ± 1/64 .XXX ± .005 ANG. ± 1°30' FINISH 128 ✓	210-7276	B			7276	0
							SCALE 3/4 SHT 4 OF 5			WANG PART NUMBER	SIZE	DRAWING NUMBER	REV.

D

C

B

A

B 7276

B

A



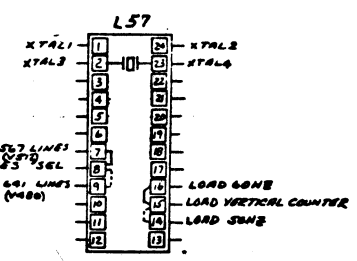
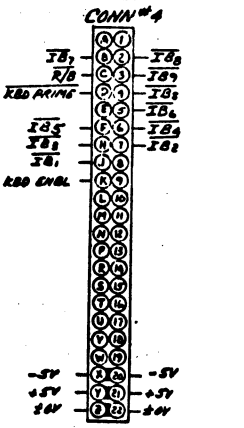
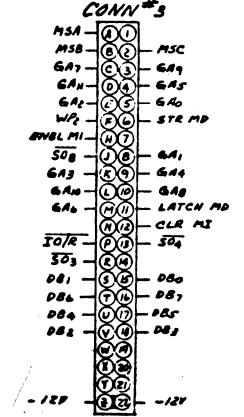
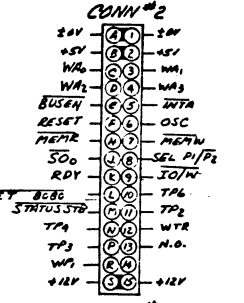
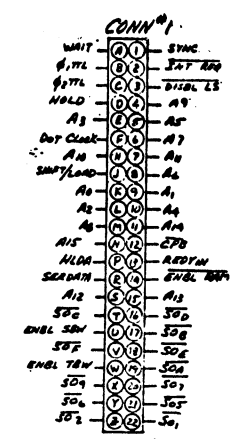
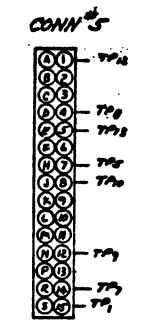
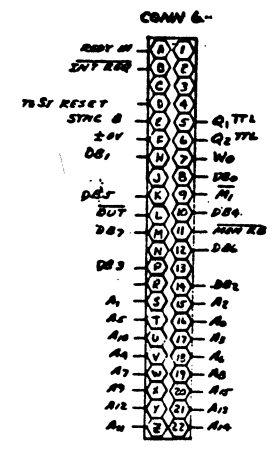
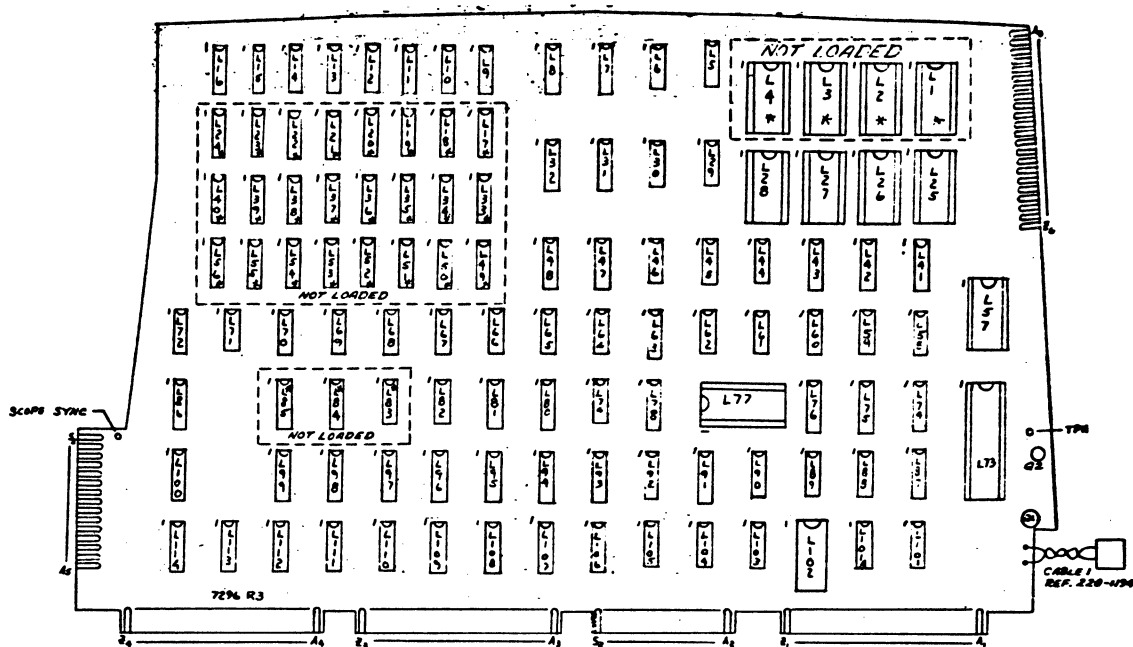






THE DESIGNER IS THE GUARANTEE OF THE ACCURACY OF THE INFORMATION CONTAINED HEREIN. THE USER SHALL BE RESPONSIBLE FOR THE PROPER USE OF THE INFORMATION CONTAINED HEREIN. THE DESIGNER SHALL NOT BE RESPONSIBLE FOR THE PROPER USE OF THE INFORMATION CONTAINED HEREIN.

REV.	DESCRIPTION	DATE
A		



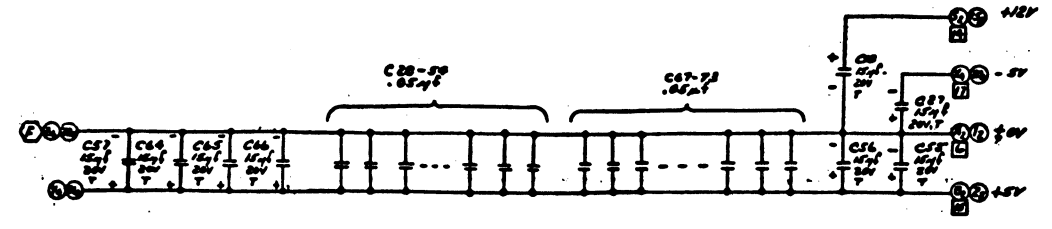
COMPONENTS	QTY	PT. NO.
Q1	1	376-1821
Q2	1	376-0017
CABLE 1	1	220-1196
C1	1	300-1903
CR, 2, 7	1	300-1905
C4, 9	1	300-1810
CE, 10, 21, 23, 24, 25, 26, 27, 28, 29, 30, 31, 32, 33, 34, 35, 36, 37, 38, 39, 40, 41, 42, 43, 44, 45, 46, 47, 48, 49, 50, 51, 52, 53, 54, 55, 56, 57, 58, 59, 60, 61, 62, 63, 64, 65, 66, 67, 68, 69, 70, 71, 72, 73, 74, 75, 76, 77, 78, 79, 80, 81, 82, 83, 84, 85, 86, 87, 88, 89, 90, 91, 92, 93, 94, 95, 96, 97, 98, 99, 100, 101, 102, 103, 104, 105, 106, 107, 108, 109, 110, 111, 112, 113, 114, 115, 116, 117, 118, 119, 120, 121, 122, 123, 124, 125, 126, 127, 128, 129, 130, 131, 132, 133, 134, 135, 136, 137, 138, 139, 140, 141, 142, 143, 144, 145, 146, 147, 148, 149, 150, 151, 152, 153, 154, 155, 156, 157, 158, 159, 160, 161, 162, 163, 164, 165, 166, 167, 168, 169, 170, 171, 172, 173, 174, 175, 176, 177, 178, 179, 180, 181, 182, 183, 184, 185, 186, 187, 188, 189, 190, 191, 192, 193, 194, 195, 196, 197, 198, 199, 200, 201, 202, 203, 204, 205, 206, 207, 208, 209, 210, 211, 212, 213, 214, 215, 216, 217, 218, 219, 220, 221, 222, 223, 224, 225, 226, 227, 228, 229, 230, 231, 232, 233, 234, 235, 236, 237, 238, 239, 240, 241, 242, 243, 244, 245, 246, 247, 248, 249, 250, 251, 252, 253, 254, 255, 256, 257, 258, 259, 260, 261, 262, 263, 264, 265, 266, 267, 268, 269, 270, 271, 272, 273, 274, 275, 276, 277, 278, 279, 280, 281, 282, 283, 284, 285, 286, 287, 288, 289, 290, 291, 292, 293, 294, 295, 296, 297, 298, 299, 300, 301, 302, 303, 304, 305, 306, 307, 308, 309, 310, 311, 312, 313, 314, 315, 316, 317, 318, 319, 320, 321, 322, 323, 324, 325, 326, 327, 328, 329, 330, 331, 332, 333, 334, 335, 336, 337, 338, 339, 340, 341, 342, 343, 344, 345, 346, 347, 348, 349, 350, 351, 352, 353, 354, 355, 356, 357, 358, 359, 360, 361, 362, 363, 364, 365, 366, 367, 368, 369, 370, 371, 372, 373, 374, 375, 376, 377, 378, 379, 380, 381, 382, 383, 384, 385, 386, 387, 388, 389, 390, 391, 392, 393, 394, 395, 396, 397, 398, 399, 400, 401, 402, 403, 404, 405, 406, 407, 408, 409, 410, 411, 412, 413, 414, 415, 416, 417, 418, 419, 420, 421, 422, 423, 424, 425, 426, 427, 428, 429, 430, 431, 432, 433, 434, 435, 436, 437, 438, 439, 440, 441, 442, 443, 444, 445, 446, 447, 448, 449, 450, 451, 452, 453, 454, 455, 456, 457, 458, 459, 460, 461, 462, 463, 464, 465, 466, 467, 468, 469, 470, 471, 472, 473, 474, 475, 476, 477, 478, 479, 480, 481, 482, 483, 484, 485, 486, 487, 488, 489, 490, 491, 492, 493, 494, 495, 496, 497, 498, 499, 500, 501, 502, 503, 504, 505, 506, 507, 508, 509, 510, 511, 512, 513, 514, 515, 516, 517, 518, 519, 520, 521, 522, 523, 524, 525, 526, 527, 528, 529, 530, 531, 532, 533, 534, 535, 536, 537, 538, 539, 540, 541, 542, 543, 544, 545, 546, 547, 548, 549, 550, 551, 552, 553, 554, 555, 556, 557, 558, 559, 560, 561, 562, 563, 564, 565, 566, 567, 568, 569, 570, 571, 572, 573, 574, 575, 576, 577, 578, 579, 580, 581, 582, 583, 584, 585, 586, 587, 588, 589, 590, 591, 592, 593, 594, 595, 596, 597, 598, 599, 600, 601, 602, 603, 604, 605, 606, 607, 608, 609, 610, 611, 612, 613, 614, 615, 616, 617, 618, 619, 620, 621, 622, 623, 624, 625, 626, 627, 628, 629, 630, 631, 632, 633, 634, 635, 636, 637, 638, 639, 640, 641, 642, 643, 644, 645, 646, 647, 648, 649, 650, 651, 652, 653, 654, 655, 656, 657, 658, 659, 660, 661, 662, 663, 664, 665, 666, 667, 668, 669, 670, 671, 672, 673, 674, 675, 676, 677, 678, 679, 680, 681, 682, 683, 684, 685, 686, 687, 688, 689, 690, 691, 692, 693, 694, 695, 696, 697, 698, 699, 700, 701, 702, 703, 704, 705, 706, 707, 708, 709, 710, 711, 712, 713, 714, 715, 716, 717, 718, 719, 720, 721, 722, 723, 724, 725, 726, 727, 728, 729, 730, 731, 732, 733, 734, 735, 736, 737, 738, 739, 740, 741, 742, 743, 744, 745, 746, 747, 748, 749, 750, 751, 752, 753, 754, 755, 756, 757, 758, 759, 760, 761, 762, 763, 764, 765, 766, 767, 768, 769, 770, 771, 772, 773, 774, 775, 776, 777, 778, 779, 780, 781, 782, 783, 784, 785, 786, 787, 788, 789, 790, 791, 792, 793, 794, 795, 796, 797, 798, 799, 800, 801, 802, 803, 804, 805, 806, 807, 808, 809, 810, 811, 812, 813, 814, 815, 816, 817, 818, 819, 820, 821, 822, 823, 824, 825, 826, 827, 828, 829, 830, 831, 832, 833, 834, 835, 836, 837, 838, 839, 840, 841, 842, 843, 844, 845, 846, 847, 848, 849, 850, 851, 852, 853, 854, 855, 856, 857, 858, 859, 860, 861, 862, 863, 864, 865, 866, 867, 868, 869, 870, 871, 872, 873, 874, 875, 876, 877, 878, 879, 880, 881, 882, 883, 884, 885, 886, 887, 888, 889, 890, 891, 892, 893, 894, 895, 896, 897, 898, 899, 900, 901, 902, 903, 904, 905, 906, 907, 908, 909, 910, 911, 912, 913, 914, 915, 916, 917, 918, 919, 920, 921, 922, 923, 924, 925, 926, 927, 928, 929, 930, 931, 932, 933, 934, 935, 936, 937, 938, 939, 940, 941, 942, 943, 944, 945, 946, 947, 948, 949, 950, 951, 952, 953, 954, 955, 956, 957, 958, 959, 960, 961, 962, 963, 964, 965, 966, 967, 968, 969, 970, 971, 972, 973, 974, 975, 976, 977, 978, 979, 980, 981, 982, 983, 984, 985, 986, 987, 988, 989, 990, 991, 992, 993, 994, 995, 996, 997, 998, 999, 1000		

LOCATIONS	QTY	PT. NO.	REV	QTY
L1-4, 25-28	12	SEE CHART 24		
L5	7	376-0018	19	7
L6, 29, 61, 106	7	376-0002	19	7
L7, 31, 67, 44, 74, 127, 174, 191	16	376-0176	16	16
L8-24, 83-85, 47-56	10	377-0269	10	10
L25, 46, 60, 68, 70, 83, 105	14	376-0026	19	14
L32, 42	16	376-0800	16	16
L41	16	377-0237	16	16
L43	16	376-0192	16	16
L44, 45, 64, 101	14	376-0010	19	14
L48	14	376-0193	19	14
L49, 64, 79	14	376-0063	19	14
L62	14	376-0016	19	14
L63	16	376-0281	16	16
L69, 72, 89	14	376-0081	19	14
L69, 103	14	376-0093	19	14
L72, 84	14	376-0031	19	14
L73	16	377-0269	16	16
L76	16	376-0160	16	16
L77	16	377-0238	16	16
L78, 91	16	376-0119	16	16
L80, 81, 86, 100, 119	16	376-0094	16	16
L65	14	376-0202	14	14
L88	14	376-0053	14	14
L90	14	376-0056	14	14
L93	16	376-0190	16	16
L94, 106, 119, 142, 143	16	376-0053	16	16
L98	16	376-0179	16	16
L99	16	376-0096	16	16
L102	16	376-0090	16	16
L103, 100, 119, 110	16	376-0082	16	16
L101A	14	376-0190	14	14
L80, 85	16	376-0193	16	16

MODEL	L28	L27	L26	L25
210-2296	370-2162	370-2163	370-2164	370-2165
210-2296B	370-2162	370-2163	370-2164	370-2165
210-2296C	370-2163	370-2170		

W11-4, 17-24, 33-44, 49-56, 81-85, C, P, R, 40-41, 53 NOT LOADED

SPARES		
L65	7407	1
L66	7408	2
L67	7404	1
L68	7408	1
L69	7410	1
L70	7432	1
L71	7408	2
L72	7407	1
L73	9321	1
L103	7432	1

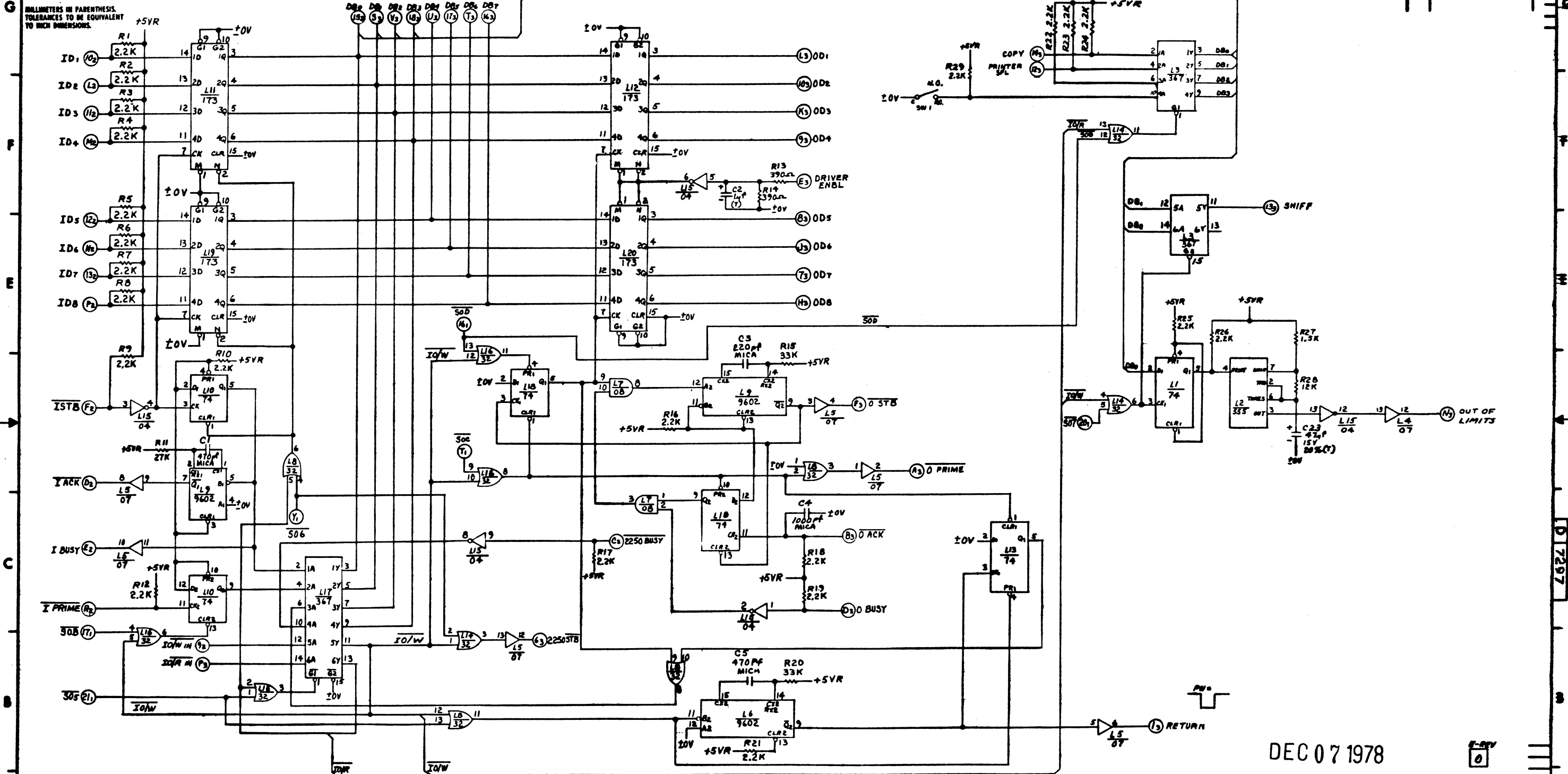


DEC 07 1978

WANG PART NO.	ITEM	QTY	NAME	MATERIAL	DESCRIPTION
210-2296	1	1	WANG 2296	210-2296	WANG 2296

THE INFORMATION CONTAINED IN THIS DRAWING IS THE PROPERTY OF WANG LABORATORIES, INC. AND IS CONFIDENTIAL AND PROPRIETARY TO WANG LABORATORIES, INC. IT MAY NOT BE COPIED, REPRODUCED OR USED IN WHOLE OR IN PART FOR ANY REASON.

HOLE LEGEND & TOLERANCES		
SIZE	DIAMETER	TOLERANCE
.030 - .125		+ .003 - .001
.125 - .250		+ .004 - .001
.250 - .500		+ .005 - .001
.500 - 1.000		+ .007 - .001
STYL	DESCRIPTION	QTY

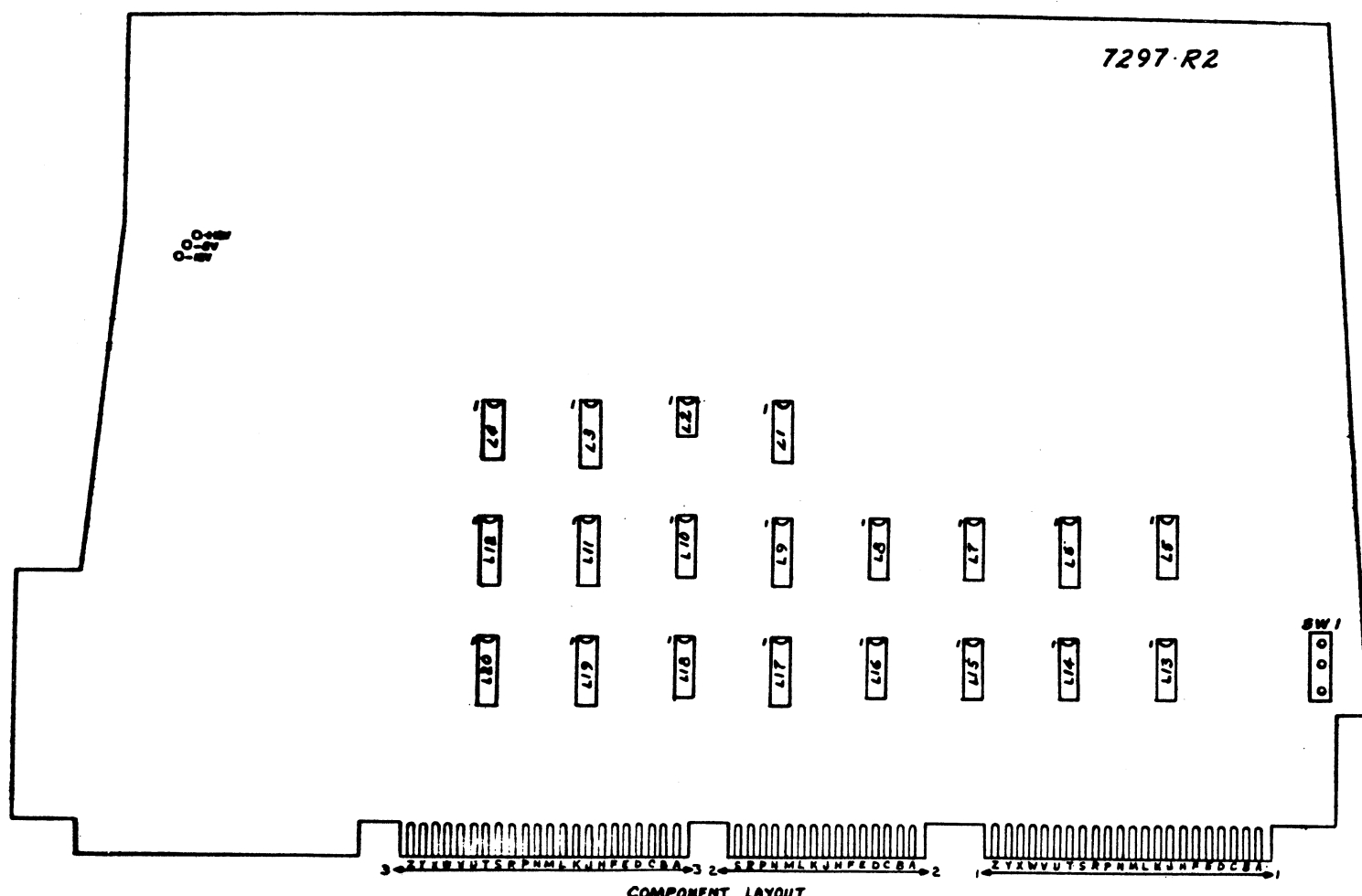
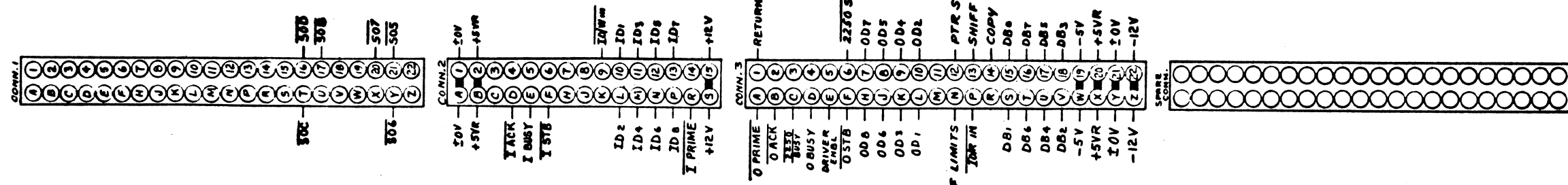


0

REV	DESCRIPTION	QTY	ITEM	WANG PART NO	DRAWING NO	DESCRIPTION	APPROVED BY																			
							BY	DATE	APPROVED BY	DATE																
1	ORIGINATED PER DWG # 210-7297-1						DWH	7/17/77	E ENGR J. J.	10-11-77																
2	REVISED PER DWG # 210-7297-2						CHK G. D.	10/15/77	M ENGR																	
3	REVISED PER DWG # 210-7297-3								MFG ENGR																	
<table border="1"> <tr> <td colspan="2"><b>WANG</b> LABORATORIES, INC.</td> <td colspan="2">TEMPERLEY HILLS, CALIF. U.S.A.</td> </tr> <tr> <td colspan="2">MODEL NO. 2282</td> <td colspan="2">TITLE I/O INTERFACE</td> </tr> <tr> <td colspan="2">SEE ENGR SPECIFICATIONS</td> <td colspan="2">210-7297 D 7297 1</td> </tr> <tr> <td colspan="2">SCALE 1/8" = 1"</td> <td colspan="2">WANG PART NUMBER SIZE DRAWING NUMBER QTY</td> </tr> </table>							<b>WANG</b> LABORATORIES, INC.		TEMPERLEY HILLS, CALIF. U.S.A.		MODEL NO. 2282		TITLE I/O INTERFACE		SEE ENGR SPECIFICATIONS		210-7297 D 7297 1		SCALE 1/8" = 1"		WANG PART NUMBER SIZE DRAWING NUMBER QTY					
<b>WANG</b> LABORATORIES, INC.		TEMPERLEY HILLS, CALIF. U.S.A.																								
MODEL NO. 2282		TITLE I/O INTERFACE																								
SEE ENGR SPECIFICATIONS		210-7297 D 7297 1																								
SCALE 1/8" = 1"		WANG PART NUMBER SIZE DRAWING NUMBER QTY																								

THE INFORMATION CONTAINED IN THIS DRAWING IS THE PROPERTY OF WANG LABORATORIES, INC. AND IS CONFIDENTIAL AND PROPRIETARY TO WANG LABORATORIES, INC. IT MAY NOT BE COPIED, REPRODUCED OR USED IN WHOLE OR IN PART FOR ANY REASON.  
MILLIMETERS IN PARENTHESES. TOLERANCES TO BE EQUIVALENT TO HOLE DIMENSIONS.

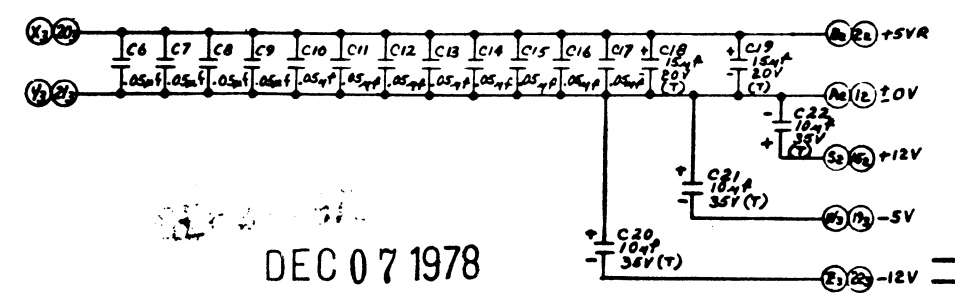
HOLE LEGEND & TOLERANCES		
DATE DIA	TOLERANCE	
0100 - 100	+000 - 001	
100 - 200	+000 - 001	
200 - 500	+000 - 001	
500 - 1000	+000 - 001	
SYMBOL	DESCRIPTION	QTY.
A		



COMPONENT	W.L. PART NO.
R1, 2, 12, 14, 19, 21, 26, 29	330 - 3022
R27	330 - 3015
R13, 14	330 - 2039
R15, 20	330 - 4033
R11	330 - 4027
C1, 5	300 - 5005
C2	300 - 4000
C3	300 - 5004
C4	300 - 5006
C6-17	300 - 1900
C18, 19	300 - 4022
C20-22	300 - 4032
C23	300 - 4034
R20	330 - 4012
SW1	325 - 2305

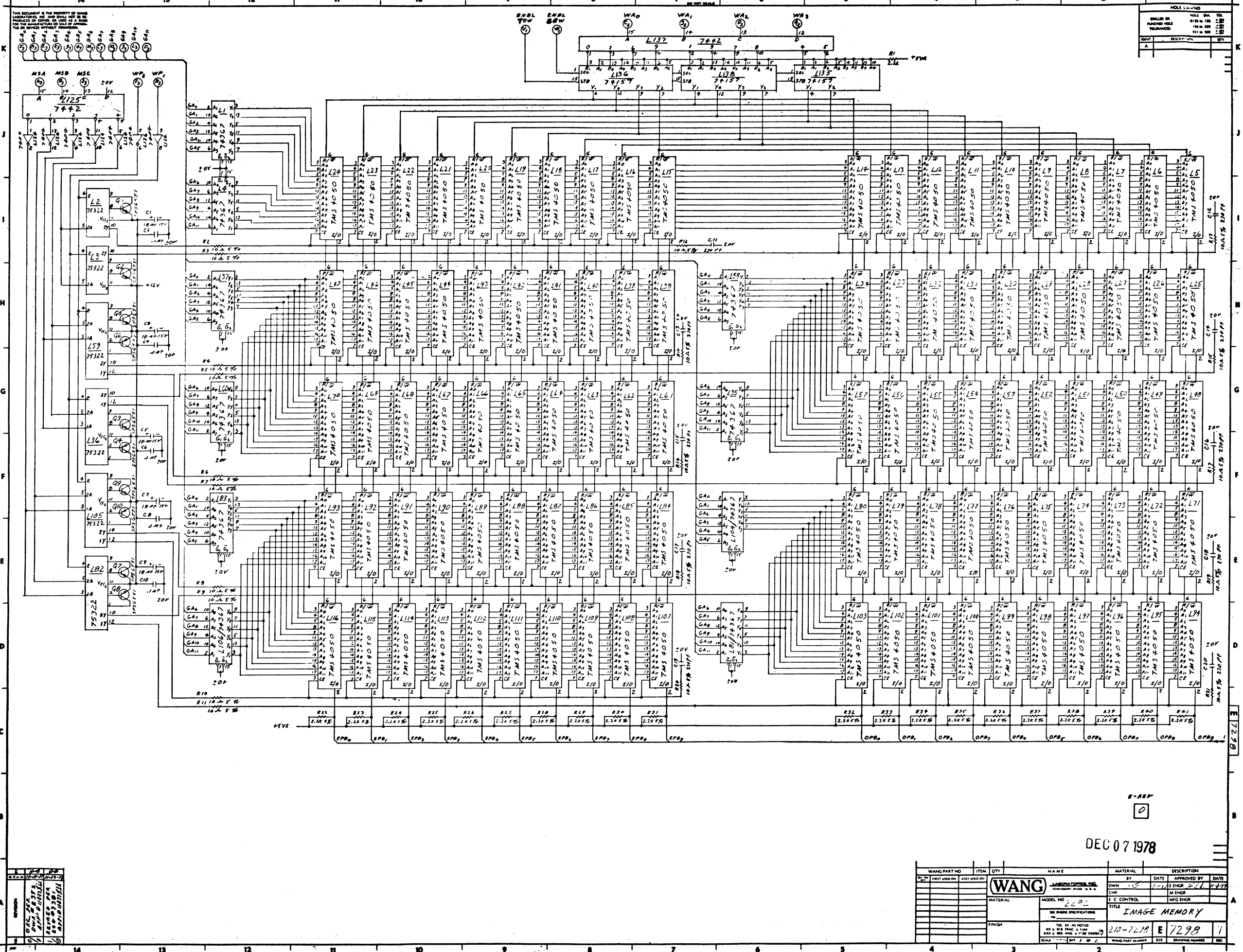
LOCATION	W.L. PART NO.	TERM. NO. 10V	TERM. NO. VcL+5VR
L1, 10, 13, 18	376 - 0006	7	14
L2	376 - 0126	1	8
L3, 17	376 - 0176	8	16
L4, 5	376 - 0056	7	14
L6, 9	376 - 0104	8	16
L7	376 - 0081	7	14
L8, 14, 16	376 - 0093	7	14
L11, 12, 19, 20	376 - 0183	8	16
L15	376 - 0010	7	14

LOCATION	TYPE	SPARES
L1	7474	1
?		
L4	7407	5
L6	9602	1
L7	7408	2
L13	7474	1
L14	7432	1
L15	7404	1



DEC 07 1978

QTY.	ITEM	WANG PART NO.	DRAWING NO.	DESCRIPTION	BY	DATE	APPROVED BY	DATE
	NEXT ASSY.				DWH	7-77	E ENGR	
					CHE		H ENGR	
							MFG ENGR	
MATERIAL		MODEL NO. 2282	TITLE I/O INTERFACE					
FINISH		SEE ENGR SPECIFICATIONS	210-7291 D 7297 1					
		TOL EX AS NOTED	SCALE 1/8" = 1"					
		33 ± FBAC ±	WANG PART NUMBER					
		33 ± ANG ± FINISH	SIZE					
		SCALE 1/8" = 1"	DRAWING NUMBER					
			REV					



HOLE NO.	
DRILLED OR	NO. 10
PUNCHING HOLES	NO. 11
TELEVISION	NO. 12
NO. 13	NO. 14
NO. 15	NO. 16
NO. 17	NO. 18
NO. 19	NO. 20
NO. 21	NO. 22
NO. 23	NO. 24
NO. 25	NO. 26
NO. 27	NO. 28
NO. 29	NO. 30
NO. 31	NO. 32
NO. 33	NO. 34
NO. 35	NO. 36
NO. 37	NO. 38
NO. 39	NO. 40
NO. 41	NO. 42
NO. 43	NO. 44
NO. 45	NO. 46
NO. 47	NO. 48
NO. 49	NO. 50
NO. 51	NO. 52
NO. 53	NO. 54
NO. 55	NO. 56
NO. 57	NO. 58
NO. 59	NO. 60
NO. 61	NO. 62
NO. 63	NO. 64
NO. 65	NO. 66
NO. 67	NO. 68
NO. 69	NO. 70
NO. 71	NO. 72
NO. 73	NO. 74
NO. 75	NO. 76
NO. 77	NO. 78
NO. 79	NO. 80
NO. 81	NO. 82
NO. 83	NO. 84
NO. 85	NO. 86
NO. 87	NO. 88
NO. 89	NO. 90
NO. 91	NO. 92
NO. 93	NO. 94
NO. 95	NO. 96
NO. 97	NO. 98
NO. 99	NO. 100

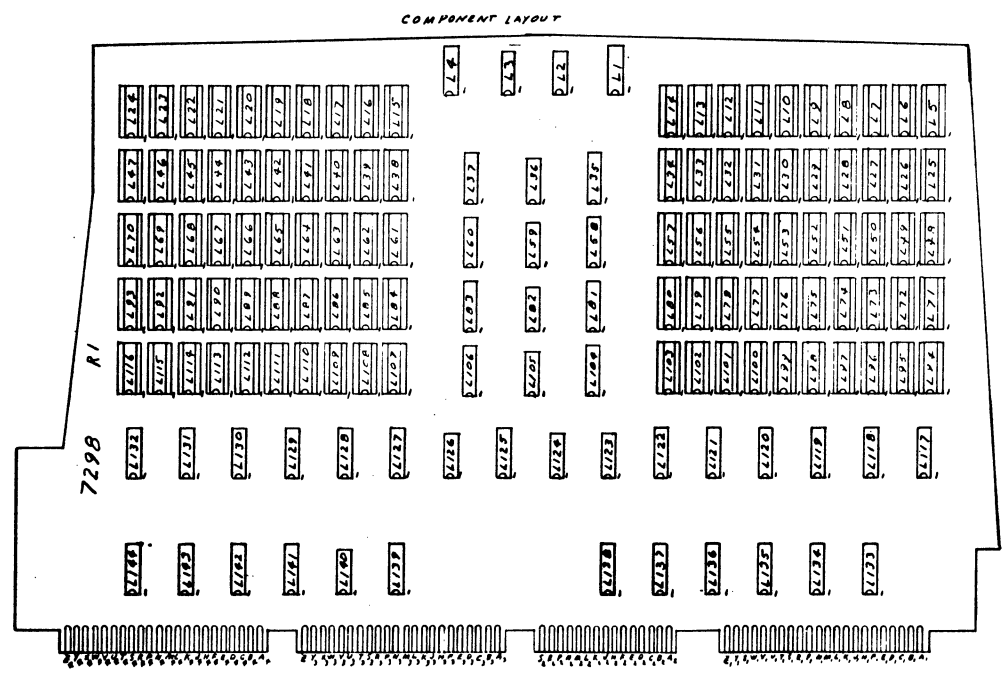
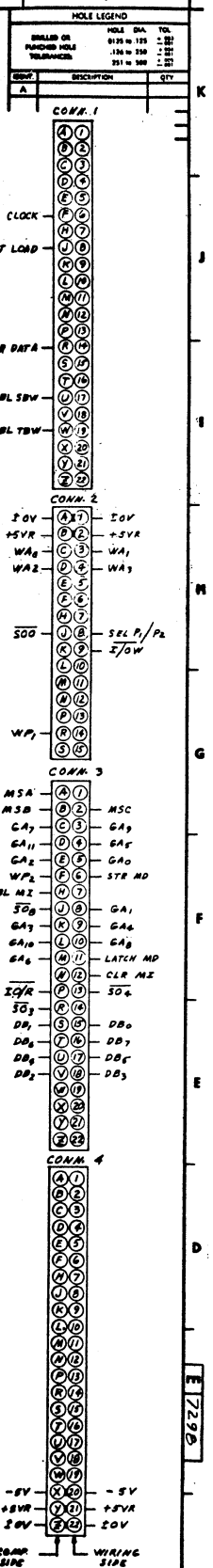
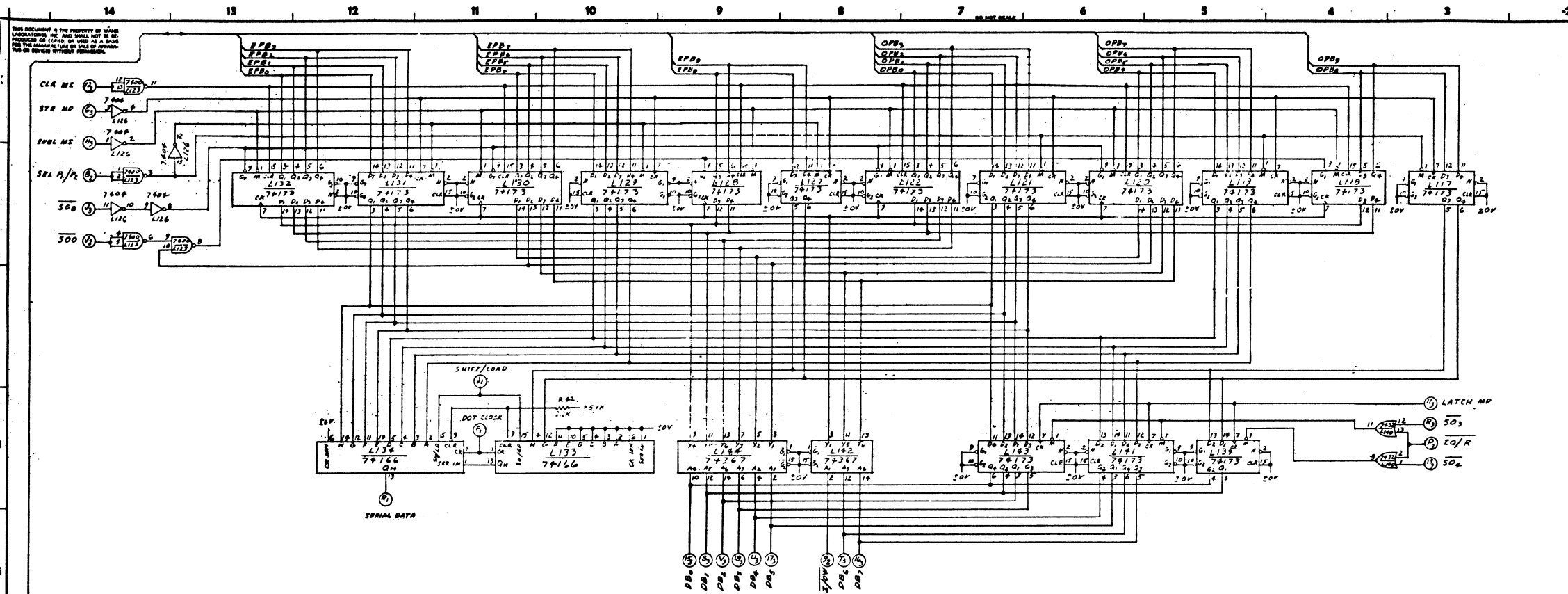
DEC 07 1978

WANG PART NO.	ITEM	QTY	NAME	MATERIAL	DESCRIPTION
210-729B	1	1	WANG	729B	IMAGE MEMORY

APPROVED BY	DATE	APPROVED BY	DATE
OWN	12/7/78	ENGR	12/7/78
CHK		M ENGR	
E C CONTROL		MFG ENGR	
TITLE IMAGE MEMORY			
210-729B		E 729B	
WANG PART NUMBER		SIZE	
SCALE		DRAWING NUMBER	

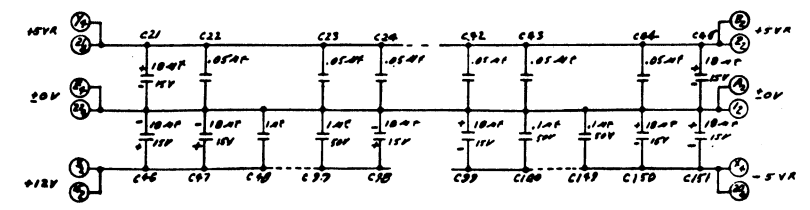
REVISION	DATE	BY	DESCRIPTION
1			
2			
3			
4			
5			
6			
7			
8			
9			
10			
11			
12			
13			
14			



LOCATION	W.L. PART NO.	QTY	REV.	REV. NO.	REV. DATE
L1, 9, 35, 37, 50, 60, 61, 62, 100, 105, 102, 156	376-0176	8	16		
L2, 3, 36, 59, 62, 105	376-0178	7	16		
L5-39, 38-57, 61-80, 88-103, 107-116	377-0314	18	1	10	
L117-125, 127-132, 137, 160, 163	376-0183	8	16		
L123	376-0002	7	16		
L124, 126	376-0010	7	16		
L128, 137	376-0008	8	16		
L133, 134	376-0189	8	16		
L135, 136, 138	376-0082	8	16		
L160	376-0073	7	16		

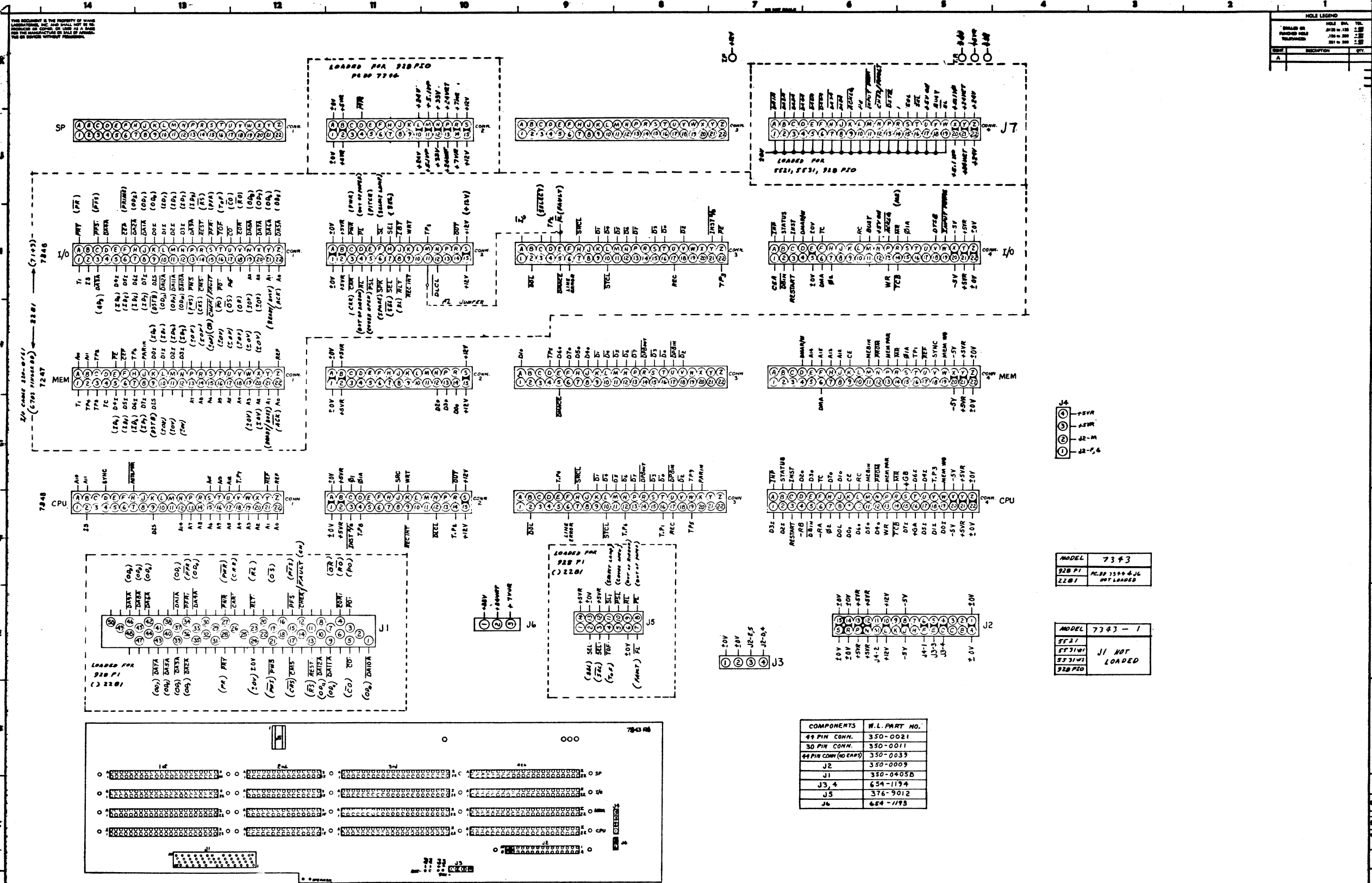
COMPONENT	W.L. PART NO.
R1, 62	370-3022
R2-21	330-1011
R22-61	330-3023
C1, 3, 5, 7, 8, 10, 15, 16, 17, 28, 39, 150, 151	300-6018
C2, 6, 4, 8, 10, C100-109	300-1930
C11-20	300-1270
C22-44	300-1900
C48-57	300-1931
C1-10	376-1050
L5-39, 38-57-61-80, 88-103, 107-116, 18 PIN SOCKET	376-9014

IC TYPE	LOCATION	SPARE
7432	L140	2



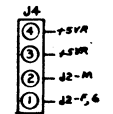
DEC 07 1978

WANG PART NO.	ITEM	QTY	NAME	MATERIAL	DESCRIPTION
			<b>WANG</b> LABORATORIES INC.	DATE	APPROVED BY
			MODEL NO. 210-7298	E C CONTROL	MFG ENGR
			TITLE	IMAGE MEMORY	
			FINISH	210-7298A	E 7298 1
			SCALE	1/8" = 1"	DRWING NUMBER



**HOLE LEGEND**

SYMBOL	DESCRIPTION	QTY.
○	DRILL	
○	PLATED HOLE	
○	TELEMETRY	



**MODEL 7343**

92B PI	PCB 1314-4J6
22B1	NOT LOADED

**MODEL 7343-1**

92B PI	J1 NOT LOADED
92B1W1	
92B P10	

**COMPONENTS W.L. PART NO.**

44 PIN CONN.	350-0021
30 PIN CONN.	350-0011
44 PIN CONN (NO EAR)	350-0033
J2	350-0009
J1	350-0405B
J3, 4	654-1194
J5	376-9012
J6	654-1193

DEC 07 1978

**REVISIONS**

NO.	DATE	DESCRIPTION
1	11-20-78	REVISED FOR...
2	11-20-78	REVISED FOR...
3	11-20-78	REVISED FOR...
4	11-20-78	REVISED FOR...

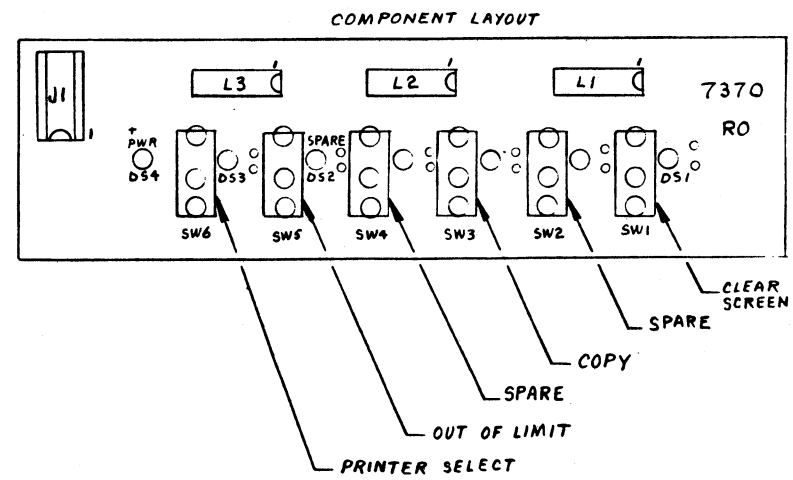
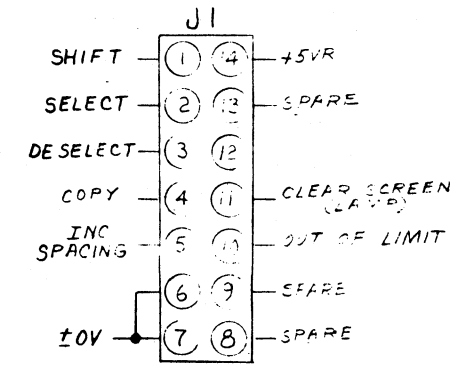
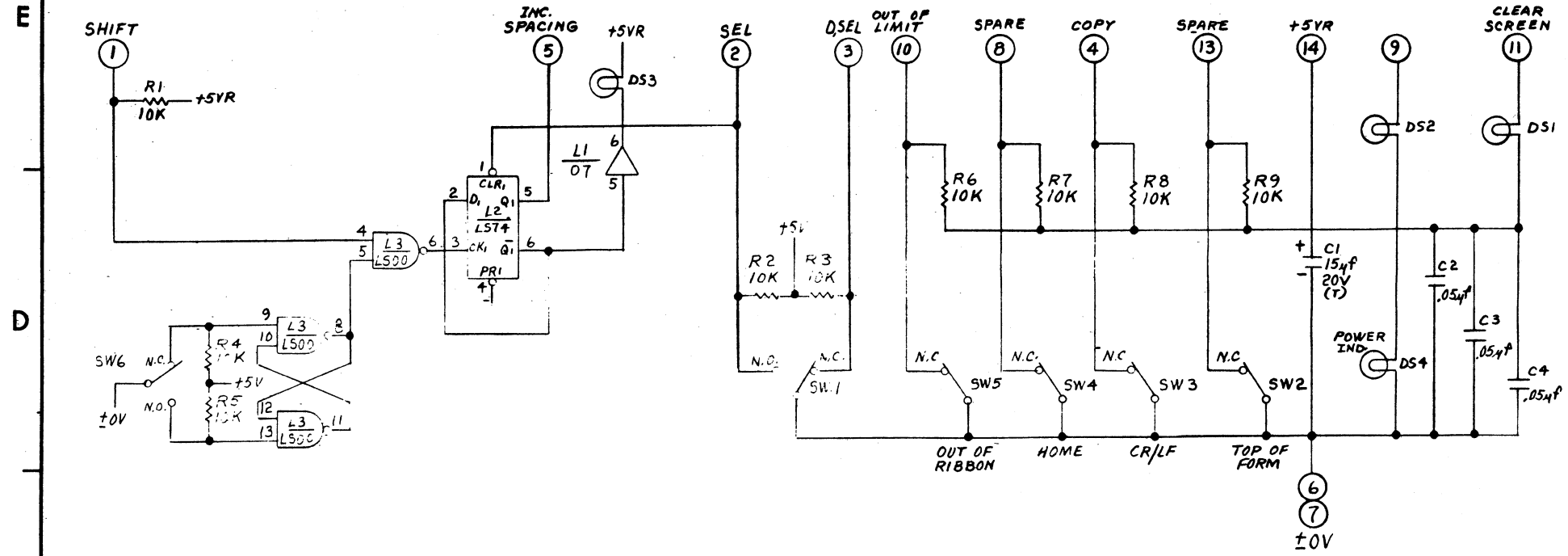
**WANG LABORATORIES, INC.**

WANG PART NO.	ITEM	QTY.	NAME	MATERIAL	DESCRIPTION
210-7343					PRINTER MOTHERBOARD
DATE	APPROVED BY	DATE	BY	DATE	APPROVED BY
11/30/78	G. D.	11/30/78	G. D.	11/30/78	G. D.
TITLE			SCALE		
210-7343			E 7343 2		



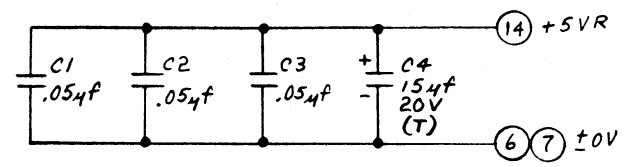
"THIS DRAWING AND THE DATA SHOWN THEREON ARE THE CONFIDENTIAL PROPERTY OF, AND ARE PROPRIETARY TO, WANG LABORATORIES, INC.; THIS DRAWING AND THE DATA SHOWN THEREON MAY NOT BE MADE PUBLIC WITHOUT THE WRITTEN CONSENT OF WANG LABORATORIES, INC. IF FOR ANY REASON THIS DRAWING IS PERMITTED BY WANG TO LEAVE THE PHYSICAL CUSTODY OF THE COMPANY, IT IS RETURNABLE UPON THE DEMAND OF WANG LABORATORIES, INC."

LOCATION	TYPE	SPARES
L1	7407	5
L2	74LS74	1
L3	74LS00	1



COMPONENT	W.L. PART NO.	TYPE
R1-9	330-4010	10K 10%
C1-3	300-1900	.054f
C4	300-4022	154f 20V
* SW1-6	325-2305	11SM1
DS1-4	370-0015	CM6833AS15
DS1-4	370-1020	1200 HOLDER
J1	376-9012	14PIN SKT
J1	376-9008	PAD

LOCATION	W.L. PART NO.	TYPE
L1	376-0056	7407
L2	376-0155	74LS74
L3	376-0207	74LS00



\* SW. 2, 4, 5, NOT LOADED

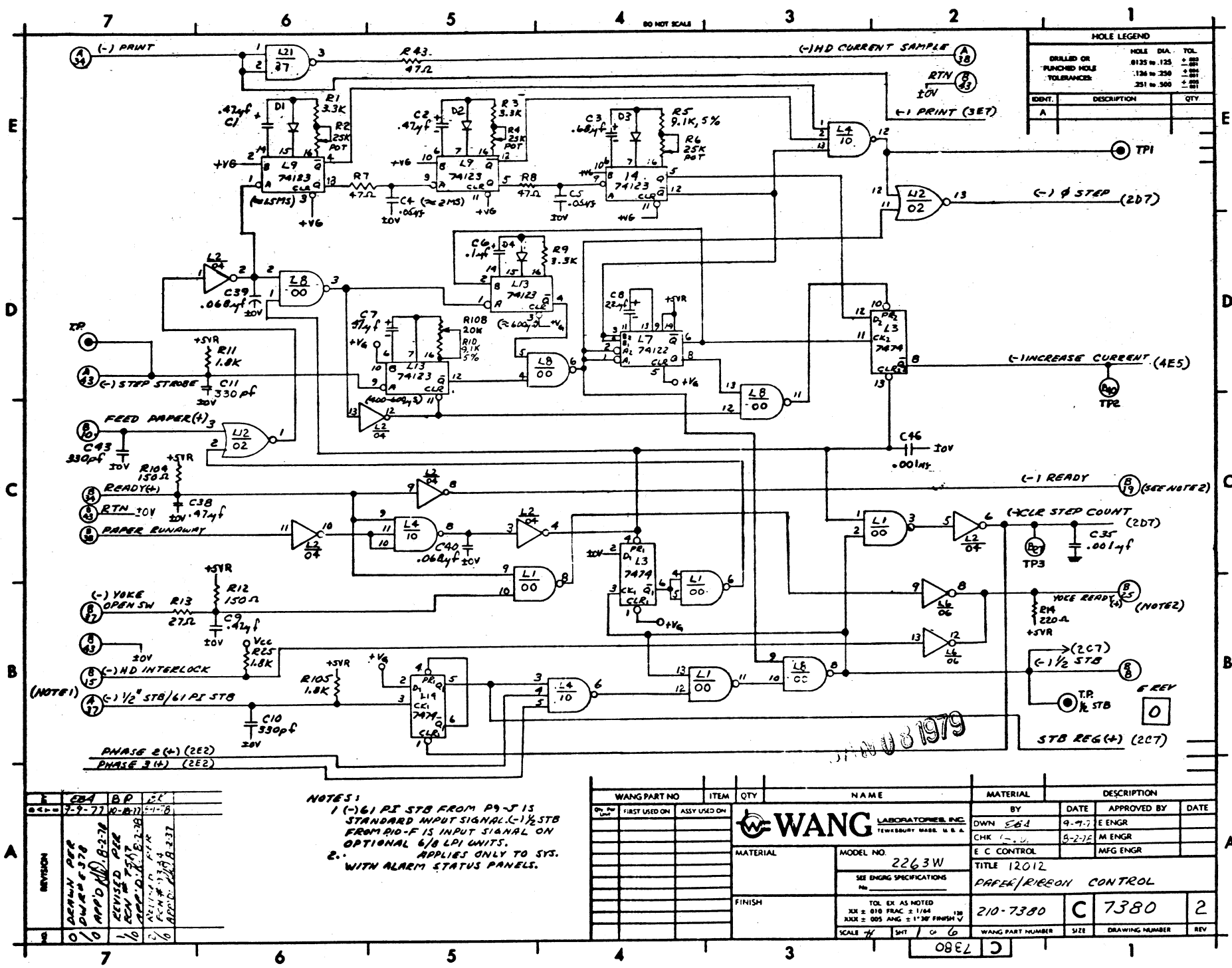
E-REV  
0

REVISION	DATE	BY
1	1-11-78	DR
0		

ORIGINATED PER  
DWR E430  
APP'D: DR. 2-18-78

		BY	DATE	APPROVED BY	DATE
		DWN	BR	1-11-78	E ENGR J. J.
MATERIAL MODEL NO. 2282 SEE ENGRG SPECIFICATIONS No.		CHK	G.D.	2/18/78	M ENGR
		E. C. CONTROL		MFG ENGR	
FINISH TOL. EX. AS NOTED .XX ± .010 FRAC. ± 1/64 .XXX ± .005 ANG ± 1°30' FINISH ✓		TITLE		210-7370	C
		GRAPHICS TERM KEYBOARD		7370	0
SCALE	SHT	1 OF 1	WANG PART NUMBER	SIZE	DRAWING NUMBER
					REV

210-7370 C

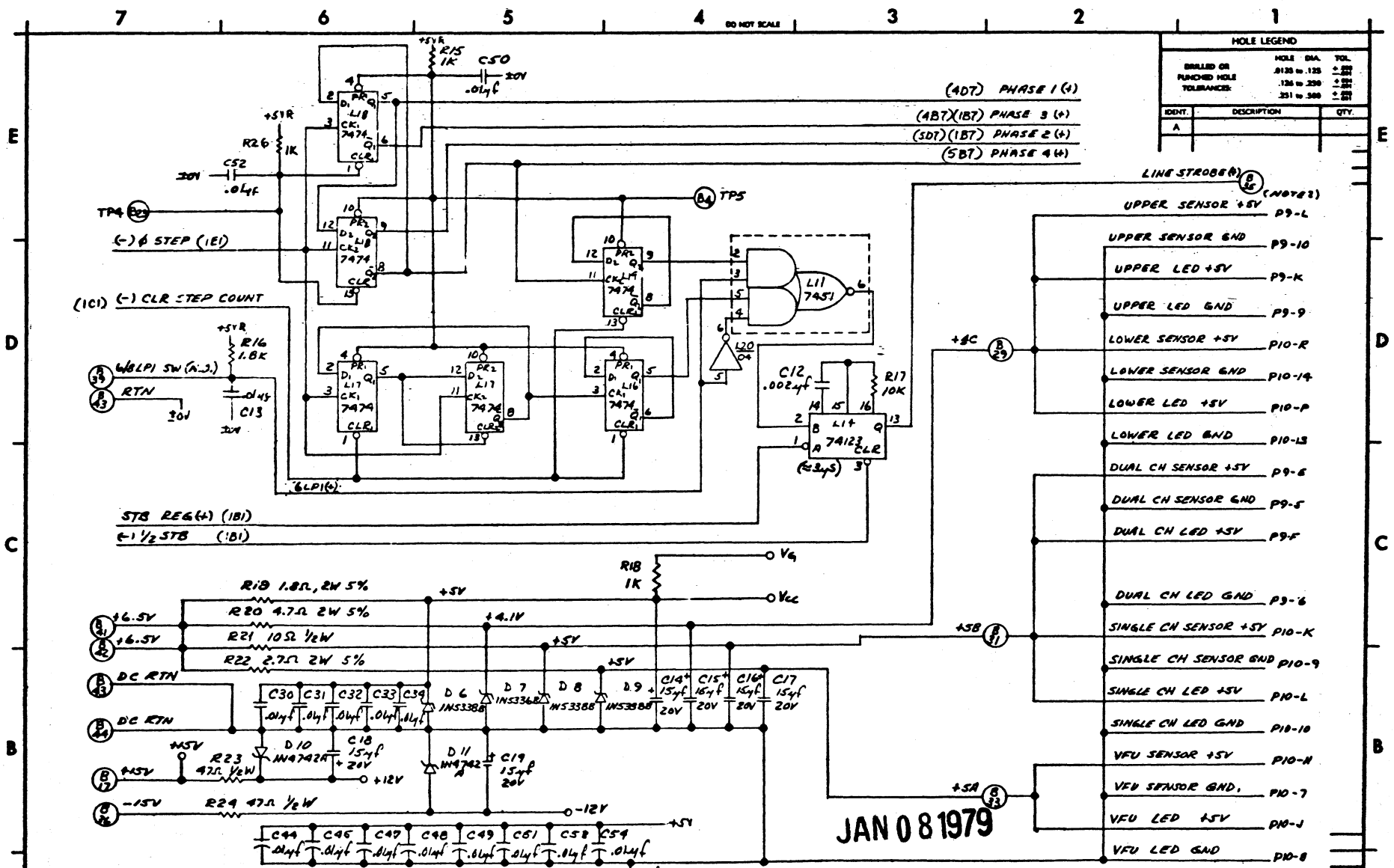


HOLE LEGEND		
	HOLE DIA.	TOL.
	DRILLED OR PUNCHED HOLE	.125 to .125 ±.002
		.126 to .250 ±.002
		.251 to .500 ±.003
IDENT.	DESCRIPTION	QTY
A		

REV	BY	DATE	DESCRIPTION
1	W.P.	12-2-77	REVISED
2	W.P.	12-2-77	REVISED
3	W.P.	12-2-77	REVISED
4	W.P.	12-2-77	REVISED
5	W.P.	12-2-77	REVISED
6	W.P.	12-2-77	REVISED
7	W.P.	12-2-77	REVISED

NOTES:  
 1. (-) 1/2 PI STB FROM P9-5 IS STANDARD INPUT SIGNAL. (-) 1/2 STB FROM R10-F IS INPUT SIGNAL ON OPTIONAL 6/8 LPI UNITS.  
 2. APPLIES ONLY TO SYS. WITH ALARM STATUS PANELS.

WANG PART NO.	ITEM	QTY	NAME	MATERIAL	DESCRIPTION
01	FIRST USED ON				
02	ASSY USED ON				
			<b>WANG LABORATORIES, INC.</b>		
			TEMPERARY MADE U.S.A.		
			MODEL NO. 2263W	BY DATE APPROVED BY DATE	
			SEE ENG'G SPECIFICATIONS	9-7-77 E ENGR	
				8-2-77 M ENGR	
				E C CONTROL MFG ENGR	
				TITLE 12012	
				PAPER/RIBBON CONTROL	
			TOL. EX. AS NOTED	210-7380 C 7380 2	
			3X ± 010 FRAC ± 1/64	WANG PART NUMBER SIZE DRAWING NUMBER REV	
			13X ± 005 ANG ± 1'30" FINISH V		
			SCALE 1/8" = 1"		



HOLE LEGEND		
DRILLED OR PUNCHED HOLE TOLERANCES:	HOLE DIA.	TOL.
	.0130 to .125	±.001
	.126 to .250	±.002
	.251 to .500	±.003
IDENT.	DESCRIPTION	QTY.
A		

REV.	REVISION
1	SEE SHEET 1

WANG PART NO.	ITEM	QTY.	NAME	MATERIAL	DESCRIPTION
On File	FIRST USED ON	ASSY USED ON	<div style="text-align: center;"> <p>LABORATORIES, INC. TEWKSbury MASS. U. S. A.</p> </div>		
			MODEL NO.	2263 W	
			SEE ENGR SPECIFICATIONS		
			FINISH		
			TOL. EX. AS NOTED		
			XX ± 0.10 FRAC ± 1/64		
			XXX ± .005 ANG ± 1°30' FINISH V		
			SCALE 7/8" = 1"	SHT 2 OF 6	
			WANG PART NUMBER	210-7380	
			SIZE	C	
			DRAWING NUMBER	7380	
			REV	2	

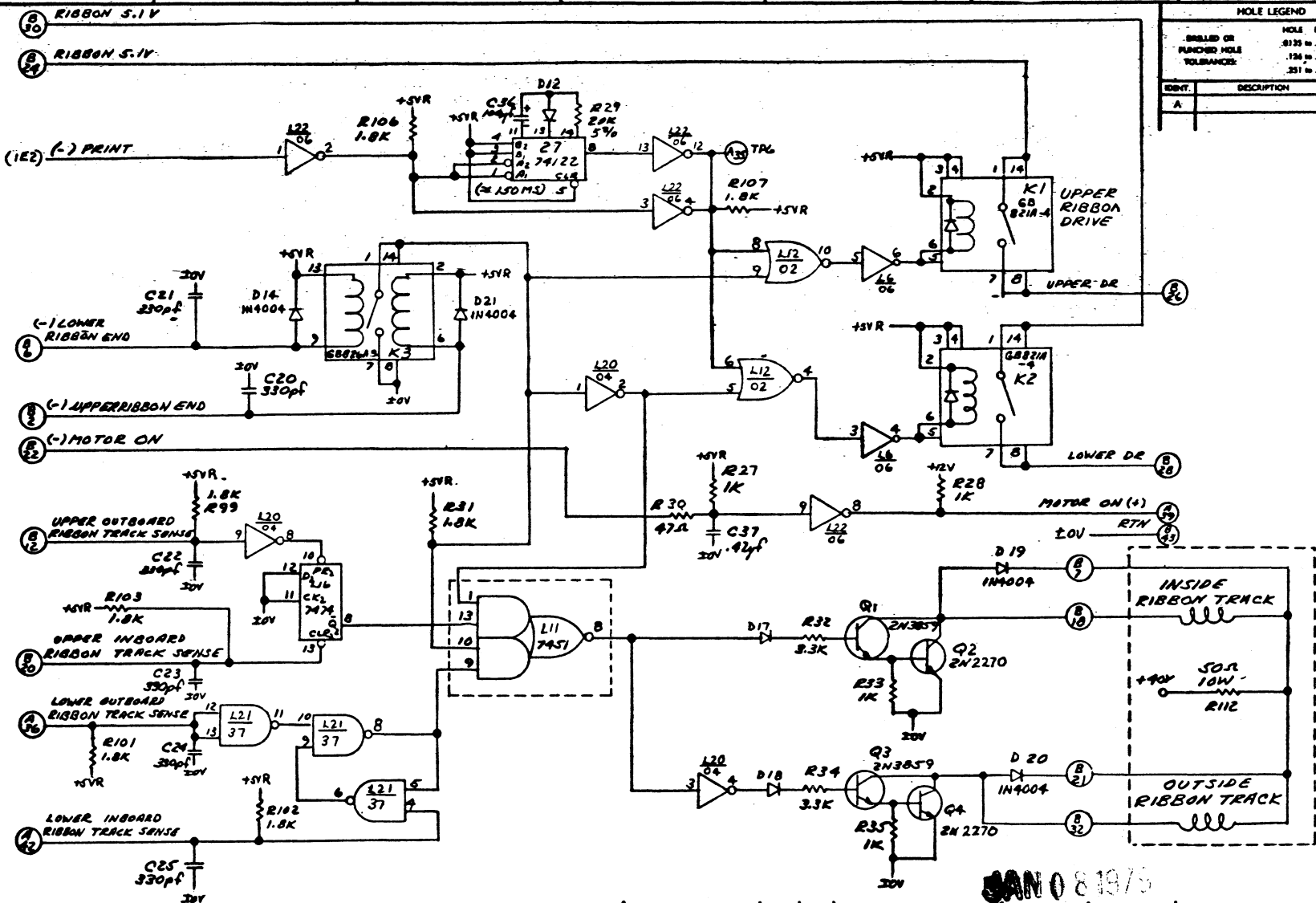
089L C 7380 1

DO NOT SCALE

HOLE LEGEND

DRILLED OR	HOLE DIA.	TOL.
PUNCHED HOLE	.0135 to .125	± .001
VOLTAIRANCE:	.134 to .250	± .001
	.251 to .500	± .001

IDENT.	DESCRIPTION	QTY
A		

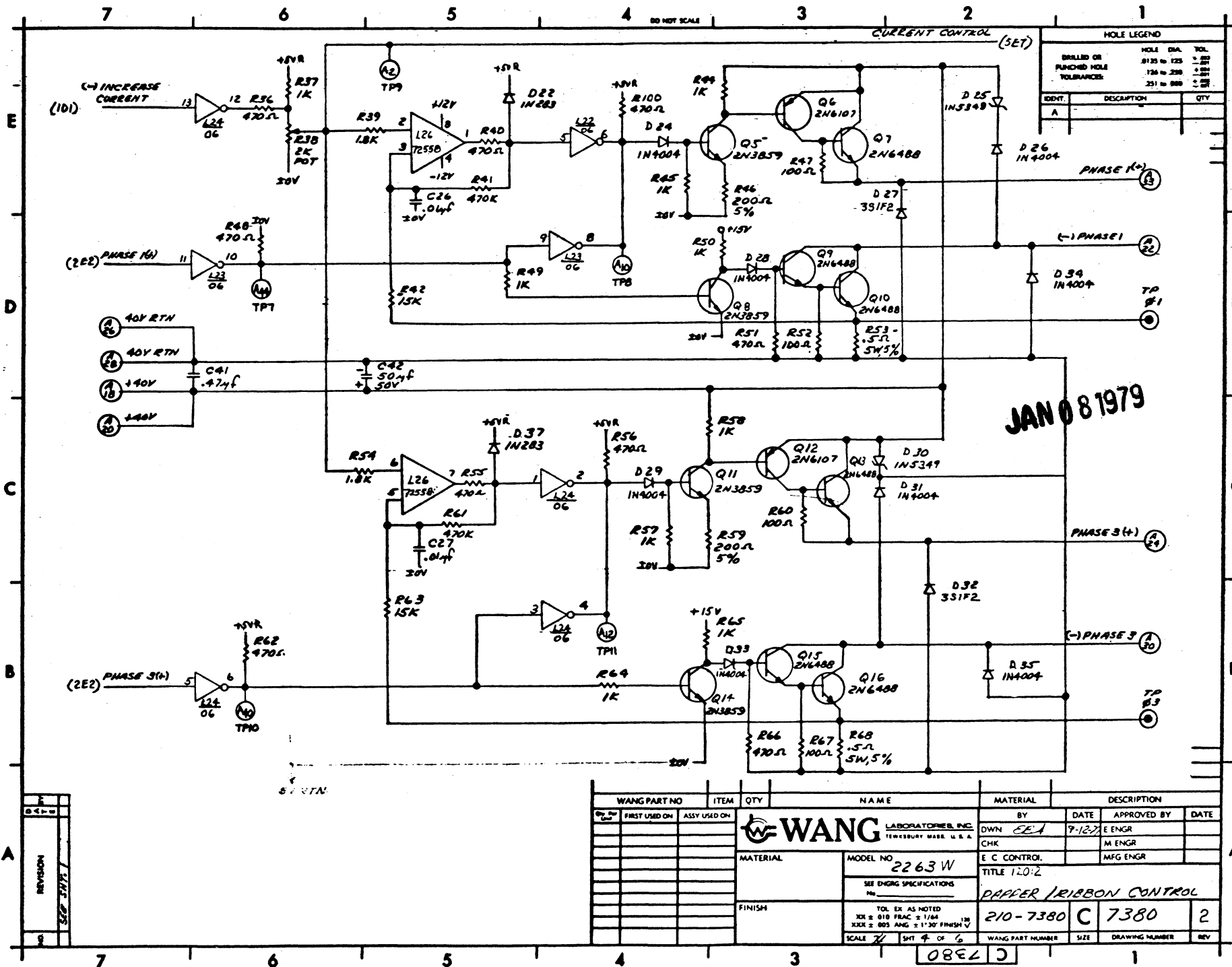


DATE 8 1975

REVISION	DATE	BY
1		

WANG PART NO	ITEM	QTY	NAME	MATERIAL	DESCRIPTION
	FIRST USED ON	ASSY USED ON	<b>WANG LABORATORIES, INC.</b> TEMPERURY MASS. U. S. A. MODEL NO. <b>2263 W</b> SEE ENG'G SPECIFICATIONS FINISH: TOL. DR. AS NOTED XIN ± .010 TRAC ± .1164 XDR ± .005 ANG ± 1.30° FINISH V		
			TITLE: <b>PAPER/RIBBON CONTROL</b>		
			210-7380 C		7380
			WANG PART NUMBER		SIZE
			DRAWING NUMBER		REV

08EL C



**HOLE LEGEND**

DRILLED OR PUNCHED HOLE TOLERANCE:	HOLE DIA.:	TOL.:
0.125 to 0.250	±.005	±.005
0.251 to 0.500	±.005	±.005
0.501 to 0.750	±.005	±.005
0.751 to 1.500	±.005	±.005

IDENT	DESCRIPTION	QTY
A		

JAN 08 1979

REVISION	DATE

WANG PART NO	ITEM	QTY	NAME	MATERIAL	DESCRIPTION

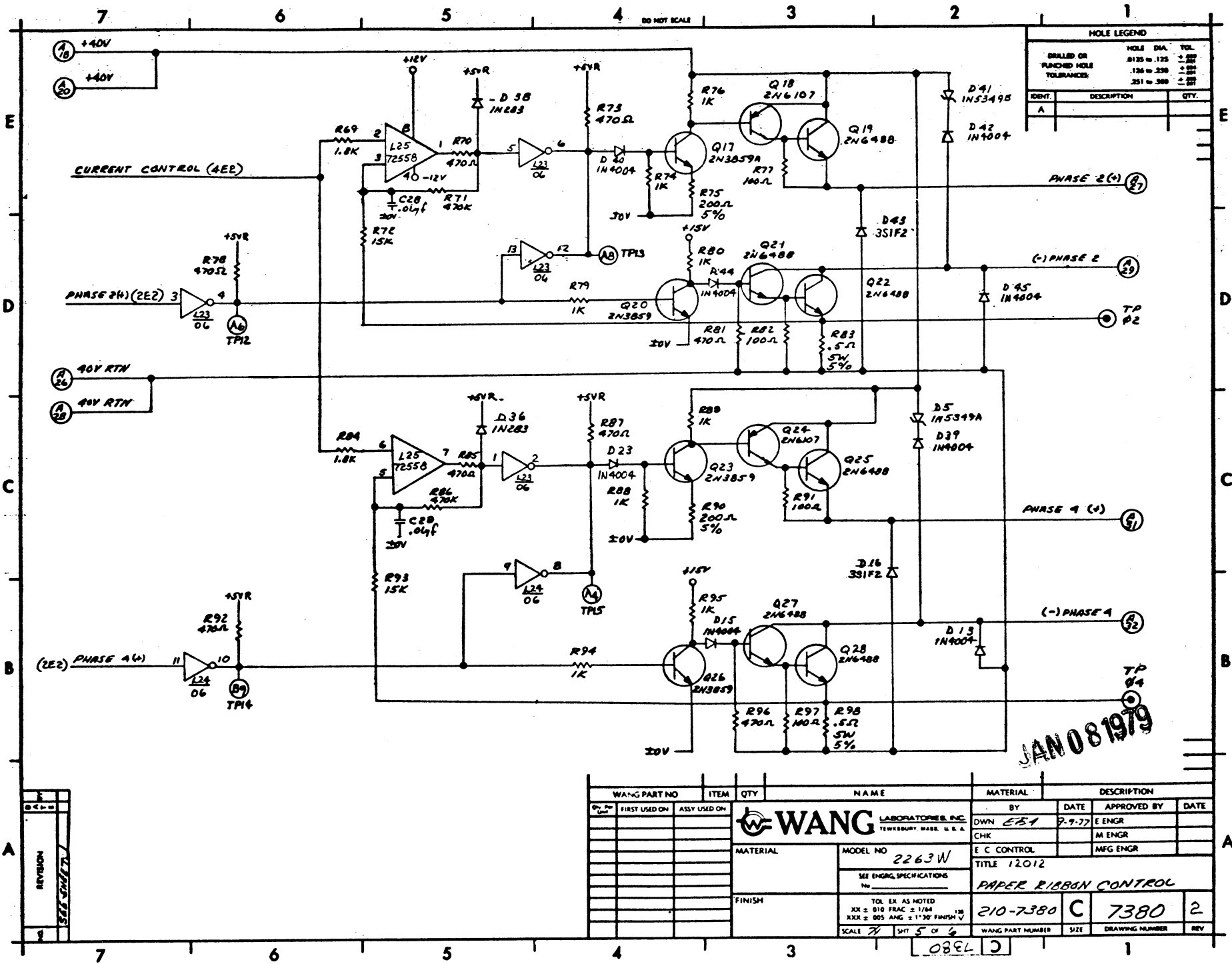
  

BY	DATE	APPROVED BY	DATE
DWN	9-12-77	E ENGR	
CHK		M ENGR	
E C CONTROL		MFG ENGR	

MATERIAL	MODEL NO	TITLE
	2263 W	120-2
FINISH	SEE ENGR SPECIFICATIONS	PAPER RIBBON CONTROL
	TOL EX AS NOTED	210-7380 C
	3X ± 0.10 FRAC ± 1/64	7380
	3X ± 0.05 ANG ± 1° 30' FINISH V	2
	SCALE 1/4" = 1"	WANG PART NUMBER
	SHT 4 OF 6	SIZE
		DRAWING NUMBER
		REV

0821 J



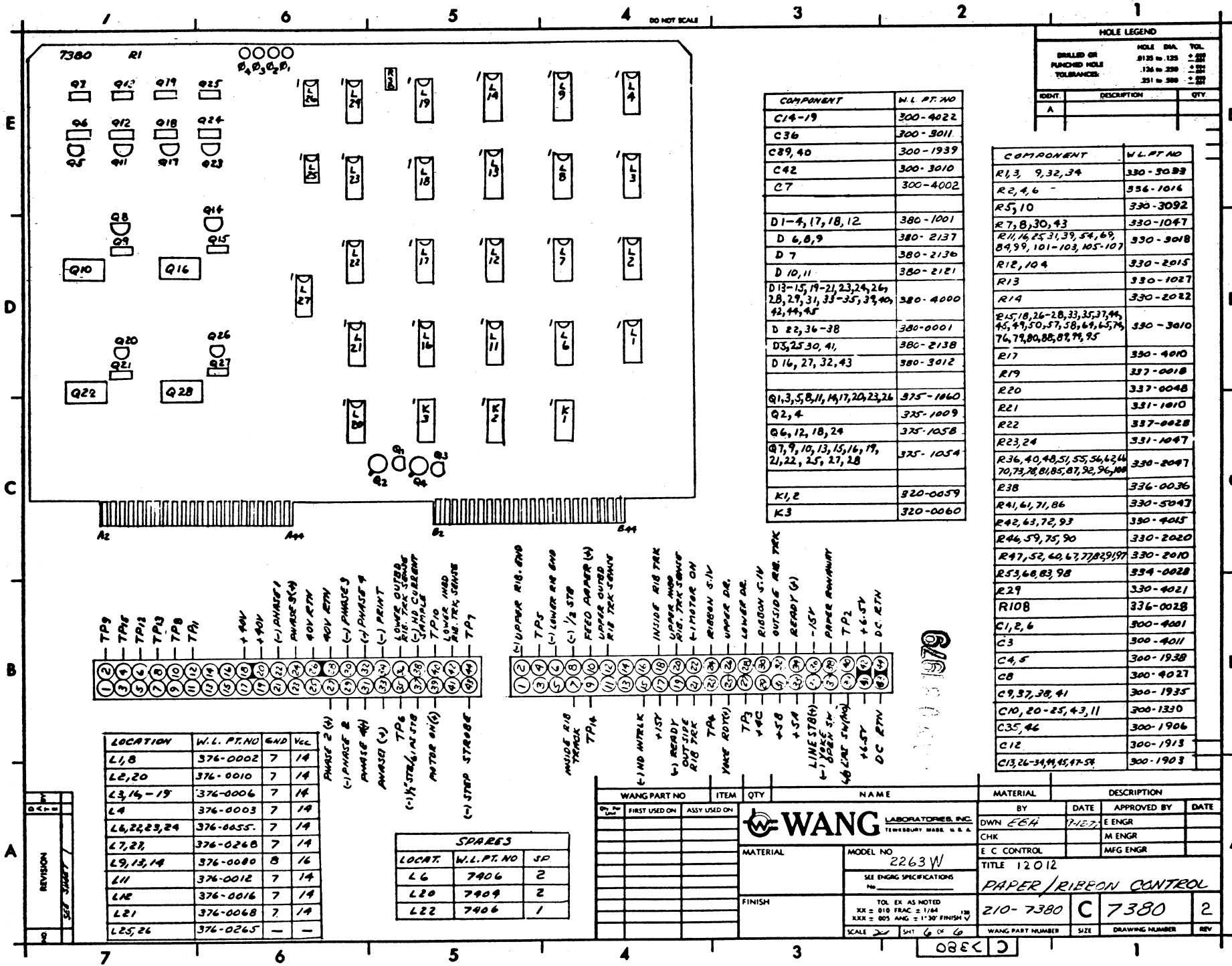
HOLE LEGEND		
DRILLED OR	HOLE DIA.	TOL.
PUNCHED HOLE	.125 to .125	±.002
TOLERANCES:	.125 to .250	±.002
	.251 to .360	±.003
IDENT.	DESCRIPTION	QTY.
A		

WANG PART NO.	ITEM	QTY.	NAME	MATERIAL	DESCRIPTION		
OP. No.	FIRST USED ON	ASSY USED ON	<b>WANG LABORATORIES, INC.</b> TEMPERLEY, MASS. U.S.A. MODEL NO. 2263W SEE ENG'G SPECIFICATIONS No. _____ TOL. EX. AS NOTED XX ± 010 FRAC ± 1/64 XXX ± 005 ANG ± 1'30" FINISH ✓ SCALE 7/8 SHT 5 OF 6				
			BY	DATE	APPROVED BY	DATE	
			DWN	EB1	2-9-77	E ENGR	
			CHK			M ENGR	
			E C CONTROL			MFG ENGR	
			TITLE 12012				
			PAPER RIBBON CONTROL				
			210-7380	C	7380	2	
			WANG PART NUMBER	SIZE	DRAWING NUMBER	REV	

JAN 08 1979

REVISION	DATE
1	1/8/77

08EL 0



HOLE LEGEND		
DRILLED OR PUNCH HOLE TOLERANCE:	HOLE DIA.	TOL.
	.0125 to .125	±.002
	.126 to .250	±.003
	.251 to .500	±.005
IDENT.	DESCRIPTION	QTY.
A		

COMPONENT	W.L. PT. NO.
C14-19	300-4022
C36	300-5011
C89, 40	300-1939
C42	300-3010
C7	300-4002
D1-4, 17, 18, 12	380-1001
D 6, 8, 9	380-2137
D 7	380-2136
D 10, 11	380-2121
D13-15, 19-21, 23, 24, 26, 28, 29, 31, 33-35, 39, 40, 42, 44, 45	380-4000
D 22, 36-38	380-0001
D3, 25, 30, 41	380-2138
D 16, 27, 32, 43	380-3012
Q1, 3, 5, 8, 11, 14, 17, 20, 23, 26	375-1060
Q2, 4	375-1009
Q6, 12, 18, 24	375-1058
Q7, 9, 10, 13, 15, 16, 19, 21, 22, 25, 27, 28	375-1054
K1, 2	320-0059
K3	320-0060

COMPONENT	W.L. PT. NO.
R1, 3, 9, 32, 34	330-5089
R2, 4, 6	336-1016
R5, 10	330-3092
R7, 8, 30, 43	330-1047
R11, 16, 25, 31, 39, 54, 69, 84, 99, 101-103, 105-107	330-3018
R12, 104	330-2015
R13	330-1027
R14	330-2022
R15, 18, 26-28, 33, 35, 37, 44, 45, 49, 50, 57, 58, 64, 65, 76, 76, 79, 80, 88, 89, 99, 95	330-3010
R17	330-4010
R19	337-0018
R20	337-0048
R21	331-1010
R22	337-0028
R23, 24	331-1047
R36, 40, 48, 51, 55, 54, 62, 64, 70, 73, 78, 81, 85, 87, 92, 96, 100	330-2047
R38	336-0036
R41, 41, 71, 86	330-5047
R42, 63, 72, 93	330-4015
R44, 59, 75, 90	330-2020
R47, 52, 60, 67, 77, 82, 91, 97	330-2010
R53, 68, 83, 98	334-0028
R29	330-4021
R108	336-0028
C1, 2, 6	300-4001
C3	300-4011
C4, 5	300-1938
C8	300-4027
C9, 37, 38, 41	300-1935
C10, 20-25, 43, 11	300-1330
C35, 46	300-1906
C12	300-1913
C13, 26-34, 45, 47-54	300-1903

- TP9
- TP1
- TP2
- TP3
- TP8
- TP11
- +40V
- +40V
- (-) PHASE 1
- PHASE 8(4)
- 40V RTN
- 40V RTN
- (-) PHASE 3
- (-) PHASE 4
- (-) PHASE 5
- (-) PHASE 6
- (-) PHASE 7
- (-) PHASE 8
- (-) PHASE 9
- (-) PHASE 10
- (-) PHASE 11
- (-) PHASE 12
- (-) PHASE 13
- (-) PHASE 14
- (-) PHASE 15
- (-) PHASE 16
- (-) PHASE 17
- (-) PHASE 18
- (-) PHASE 19
- (-) PHASE 20
- (-) PHASE 21
- (-) PHASE 22
- (-) PHASE 23
- (-) PHASE 24
- (-) PHASE 25
- (-) PHASE 26
- (-) PHASE 27
- (-) PHASE 28
- (-) PHASE 29
- (-) PHASE 30
- (-) PHASE 31
- (-) PHASE 32
- (-) PHASE 33
- (-) PHASE 34
- (-) PHASE 35
- (-) PHASE 36
- (-) PHASE 37
- (-) PHASE 38
- (-) PHASE 39
- (-) PHASE 40
- (-) PHASE 41
- (-) PHASE 42
- (-) PHASE 43
- (-) PHASE 44
- (-) PHASE 45
- (-) PHASE 46
- (-) PHASE 47
- (-) PHASE 48
- (-) PHASE 49
- (-) PHASE 50
- (-) PHASE 51
- (-) PHASE 52
- (-) PHASE 53
- (-) PHASE 54
- (-) PHASE 55
- (-) PHASE 56
- (-) PHASE 57
- (-) PHASE 58
- (-) PHASE 59
- (-) PHASE 60
- (-) PHASE 61
- (-) PHASE 62
- (-) PHASE 63
- (-) PHASE 64
- (-) PHASE 65
- (-) PHASE 66
- (-) PHASE 67
- (-) PHASE 68
- (-) PHASE 69
- (-) PHASE 70
- (-) PHASE 71
- (-) PHASE 72
- (-) PHASE 73
- (-) PHASE 74
- (-) PHASE 75
- (-) PHASE 76
- (-) PHASE 77
- (-) PHASE 78
- (-) PHASE 79
- (-) PHASE 80
- (-) PHASE 81
- (-) PHASE 82
- (-) PHASE 83
- (-) PHASE 84
- (-) PHASE 85
- (-) PHASE 86
- (-) PHASE 87
- (-) PHASE 88
- (-) PHASE 89
- (-) PHASE 90
- (-) PHASE 91
- (-) PHASE 92
- (-) PHASE 93
- (-) PHASE 94
- (-) PHASE 95
- (-) PHASE 96
- (-) PHASE 97
- (-) PHASE 98
- (-) PHASE 99
- (-) PHASE 100

- (-) UPPER RIB. END
- TP5
- (-) LOWER RIB. END
- (-) 1/2 STR
- FEED PAPER (4)
- UPPER OUTRD
- RIB TRK. SENS
- INSIDE RIB TRK
- UPPER AND
- RIB TRK. SENS
- 1-MOTOR ON
- RIBBON S/V
- UPPER DR.
- LOWER DR.
- RIBBON S/V
- OUTSIDE RIB. TRK
- READY (4)
- 15V
- PAPER ADVANCE
- TP2
- +6.5V
- DC RTN

LOCATION	W.L. PT. NO.	END	VEL.
L1, 8	376-0002	7	14
L2, 20	376-0010	7	14
L3, 14-19	376-0006	7	14
L4	376-0003	7	14
L6, 22, 23, 24	376-0055	7	14
L7, 27	376-0268	7	14
L9, 13, 14	376-0080	8	16
L11	376-0012	7	14
L12	376-0016	7	14
L21	376-0068	7	14
L25, 26	376-0265	-	-

SPARES		
LOCAT.	W.L. PT. NO.	SP.
L6	7406	2
L20	7404	2
L22	7406	1

WANG PART NO.	ITEM	QTY.	NAME	MATERIAL	DESCRIPTION
2263 W					
<div style="display: flex; justify-content: space-between;"> <div> <p><b>WANG</b> LABORATORIES, INC. TEMPERARY WARE, U.S.A.</p> <p>MODEL NO. 2263 W</p> <p>SEE ENG'G SPECIFICATIONS</p> <p>TOL. EX. AS NOTED XXR = 0.10 FRAC ± 1/100 130 XXXR = 0.05 ANG ± 1'30" FINISH V</p> <p>SCALE 2/1 SHI 6 OF 6</p> </div> <div> <p>DATE: 7/27/57</p> <p>APPROVED BY: E ENGR</p> <p>DATE: 7/27/57</p> <p>APPROVED BY: M ENGR</p> <p>DATE: 7/27/57</p> <p>APPROVED BY: MFG ENGR</p> <p>TITLE: 12012 PAPER/RIBBON CONTROL</p> <p>210-7380 C 7380 2</p> <p>WANG PART NUMBER: 210-7380 C SIZE: C DRAWING NUMBER: 7380 REV: 2</p> </div> </div>					

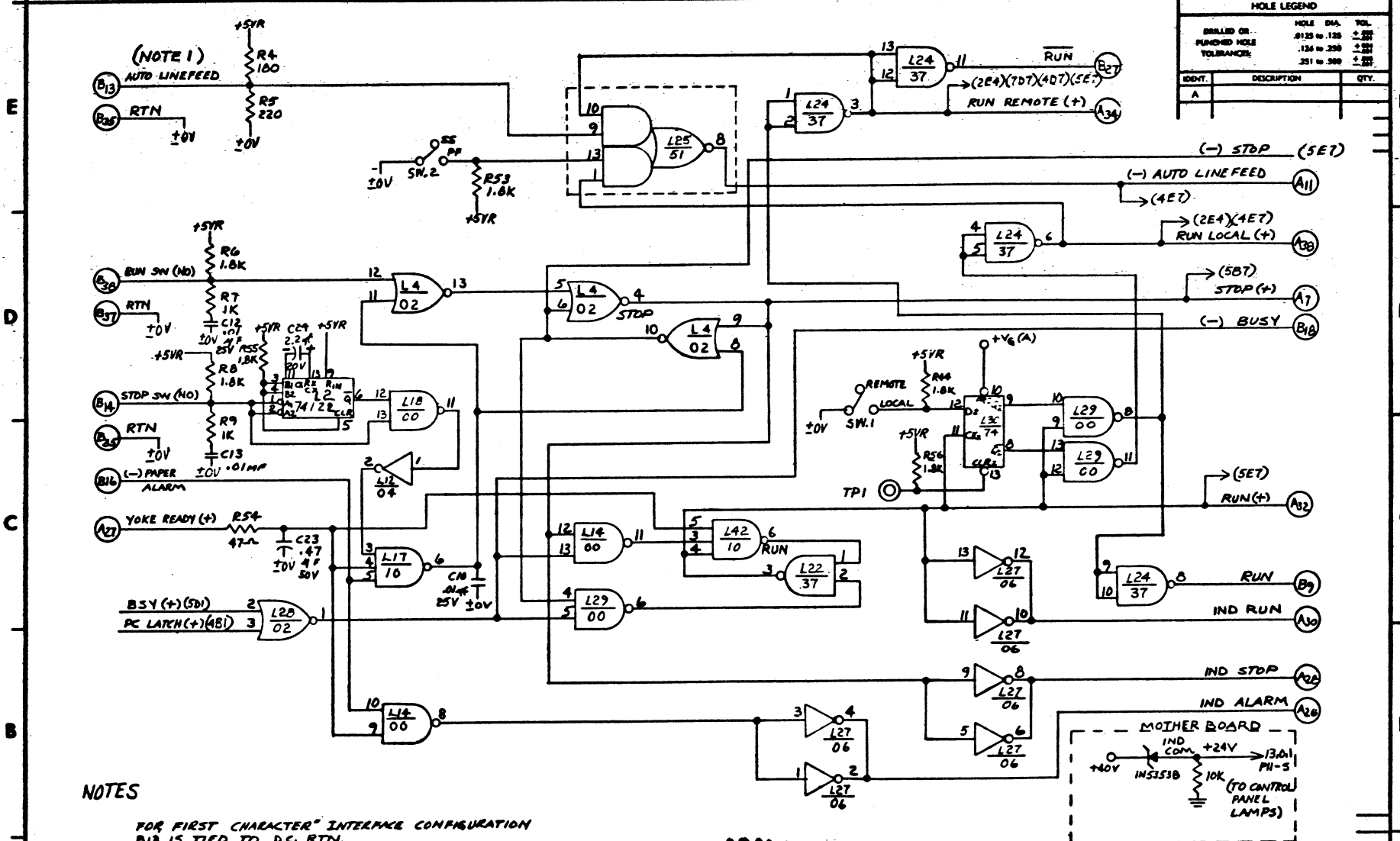
REVISION

7 6 5 4 3 2 1

DO NOT SCALE

HOLE LEGEND

DRILLED OR	HOLE DIA.	TOL.
FUNCHED HOLE	.0125 to .125	±.001
TOLERANCE:	.126 to .250	±.002
	.251 to .500	±.003
IDNT.	DESCRIPTION	QTY.
A		



NOTES

FOR FIRST CHARACTER INTERFACE CONFIGURATION  
B13 IS TIED TO D.C. RTN.

JAN 08 1979

REVISION	DATE
1	1978 05 06

WANG PART NO	ITEM	QTY	NAME	MATERIAL	DESCRIPTION
210-7381	C	3	CHAR STORAGE / CONTROL		

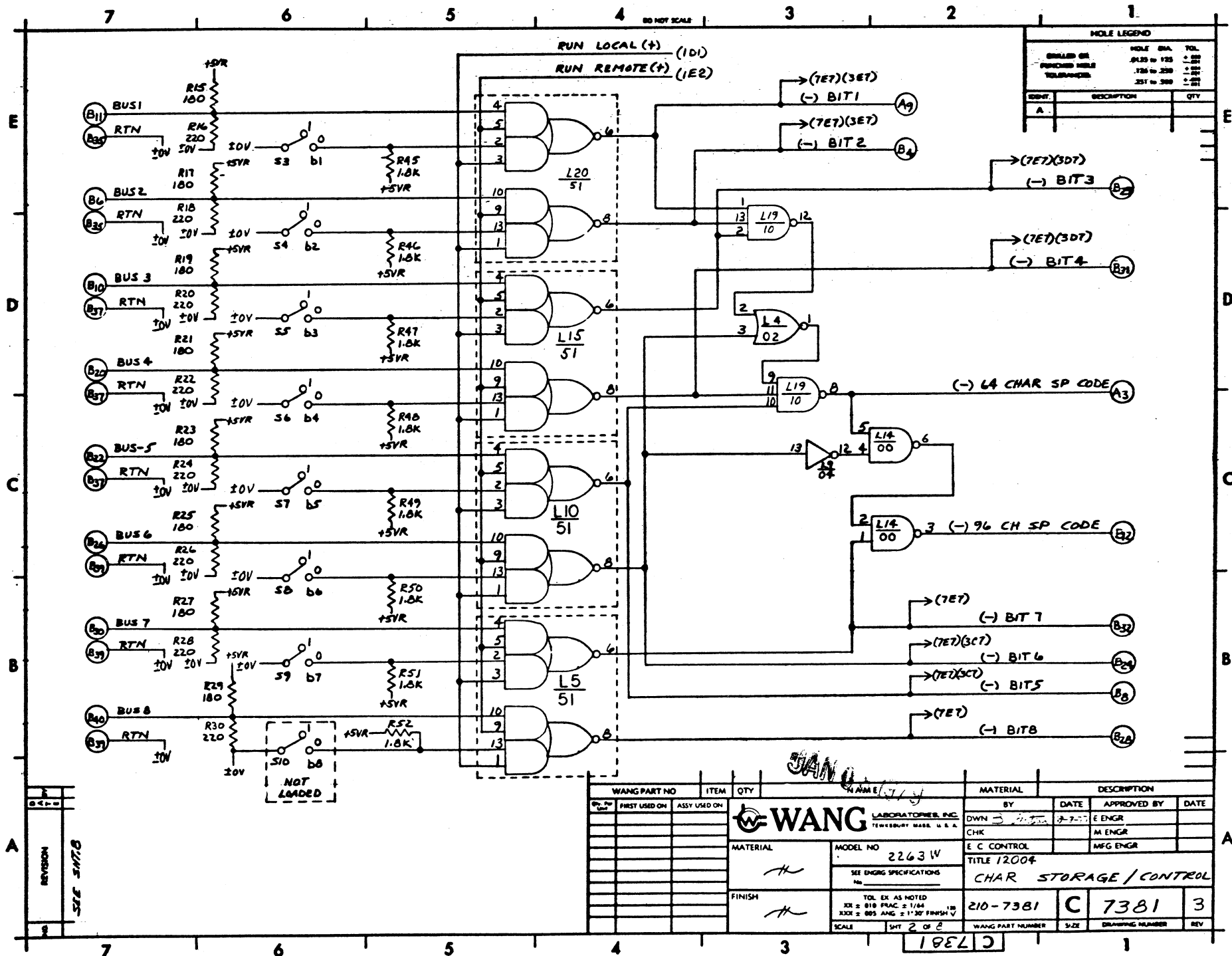
BY	DATE	APPROVED BY	DATE
DWN	11-11-77	E ENGR	
CHK		M ENGR	
		MFG ENGR	

MODEL NO	226311
TITLE	12004
CHAR STORAGE / CONTROL	
TOL EX AS NOTED	
XX = 010 FRAC ± 1.64	
XXX = 005 ANG ± 1°30' FINISH	
SCALE	1/8" = 1"
WANG PART NUMBER	210-7381
SIZE	C
DRAWING NUMBER	7381
REV	3

1978 05 06





HOLE LEGEND

DRILLED OR PURCHASED HOLE	HOLE DIA.	TOL.
Ø.25 to .125		±.005
.125 to .250		±.005
.251 to .500		±.010

IDENT.	DESCRIPTION	QTY
A		

WANG PART NO. ITEM QTY NAME (7/7)

BY	DATE	APPROVED BY	DATE
DWN	7-7-57	E ENGR	
CHK		M ENGR	
		MFG ENGR	

LABORATORIES, INC. TOWERS MASS. U.S.A.

MODEL NO. 2263 IV

SEE ENGR SPECIFICATIONS No.

FINISH

TOL EX AS NOTED  
 XX ± 810 FRAC ± 1/64  
 XXX ± 805 ANG ± 1'30" FINISH V

210-7381 C 7381 3

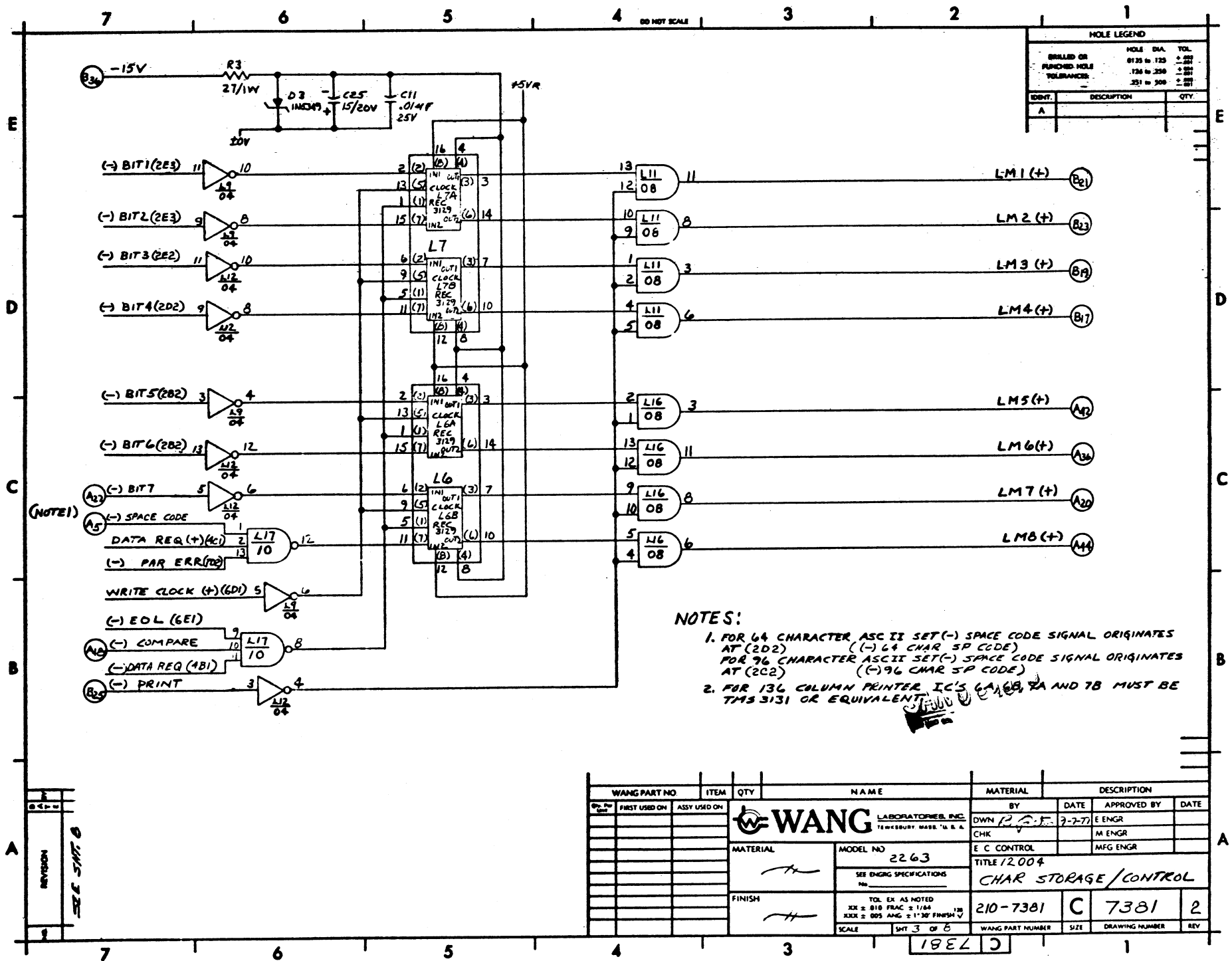
SCALE SH 2 OF 2

WANG PART NUMBER SIZE DRAWING NUMBER REV

REVISION

SEE SH 2

1961



**NOTES:**

1. FOR 64 CHARACTER ASCII SET (-) SPACE CODE SIGNAL ORIGINATES AT (2D2) (-) 64 CHAR SP CODE  
 FOR 96 CHARACTER ASCII SET (-) SPACE CODE SIGNAL ORIGINATES AT (2C2) (-) 96 CHAR SP CODE

2. FOR 136 COLUMN PRINTER IC'S L6, L7, L8 AND 7B MUST BE TMS 3131 OR EQUIVALENT

REVISION  
 SEE SHEET 6

WANG PART NO.	ITEM	QTY	NAME	MATERIAL	DESCRIPTION
	FIRST USED ON	ASSY USED ON	<div style="text-align: center;"> <p>LABORATORIES, INC.            TEWESBURY MASS. U.S.A.</p> </div>		
			MATERIAL	MODEL NO	E C CONTROL
				2263	MFG ENGR
			FINISH	SEE ENGR SPECIFICATIONS	TITLE 12004
					CHAR STORAGE/CONTROL
				TOL. EX. AS NOTED	
				XX ± 010 FRAC ± 1/64	210-7381
				XXX ± 005 ANG ± 1'30" FINISH	C 7381
				SCALE	2
				SHT 3 OF 6	
				WANG PART NUMBER	
				SIZE	
				DRAWING NUMBER	
				REV	

18EL 2

7

6

5

4

3

2

1

DO NOT SCALE

(-) AUTO LINEFEED (1E1)

RUN LOCAL (+) (1D1)

-PR RDY (+) (5D1)

(LE1) (-) EOL

EWV REMOTE (+) (1E2)

(SEE NOTE 1)

PAPERFEED COMMAND

FRUNT COMMAND

DATA STROBE

(-) TEST STB (6B1)

(-) DET 136 (6C1)

(-) PRINT FINISH

(-) SYS CLR (5E2)

+V<sub>Q</sub> (B)

+5VR

+5VR

+5VR

+5VR

+5VR

+5VR

NOTES:

1. FOR FIRST CHARACTER INTERRUPTIBLE CONFIGURATION B3 IS TIED TO DC RTN.

WANG PART NO	ITEM	QTY	NAME	MATERIAL	DESCRIPTION
1972	1	1	WANG	BY DWN B (PTE) 1-7-77	E ENGR
1972	2	1	WANG	CHK	M ENGR
1972	3	1	WANG	E C CONTROL	MFG ENGR
1972	4	1	WANG	TITLE 12004	CHAR STORAGE/CONTROL
1972	5	1	WANG	MODEL NO 2263 W	
1972	6	1	WANG	SEE ENGR SPECIFICATIONS No.	
1972	7	1	WANG	TOL EX AS NOTED X1 ± .010 FRAC ± 1/64 X3 ± .005 ANG ± 1°30' FINISH	210-7381 C 7381 3
1972	8	1	WANG	SCALE SH 4 OF 6	WANG PART NUMBER SIZE DRAWING NUMBER REV

HOLE LEGEND

DRILLED OR PUNCHED HOLE TOLERANCES:	HOLE DIA.	TOL.
	.0125 to .125	± .005
	.126 to .250	± .007
	.251 to .500	± .010

IDENT.	DESCRIPTION	QTY.
A		

JAN 08 1979

REVISION  
DATE

7

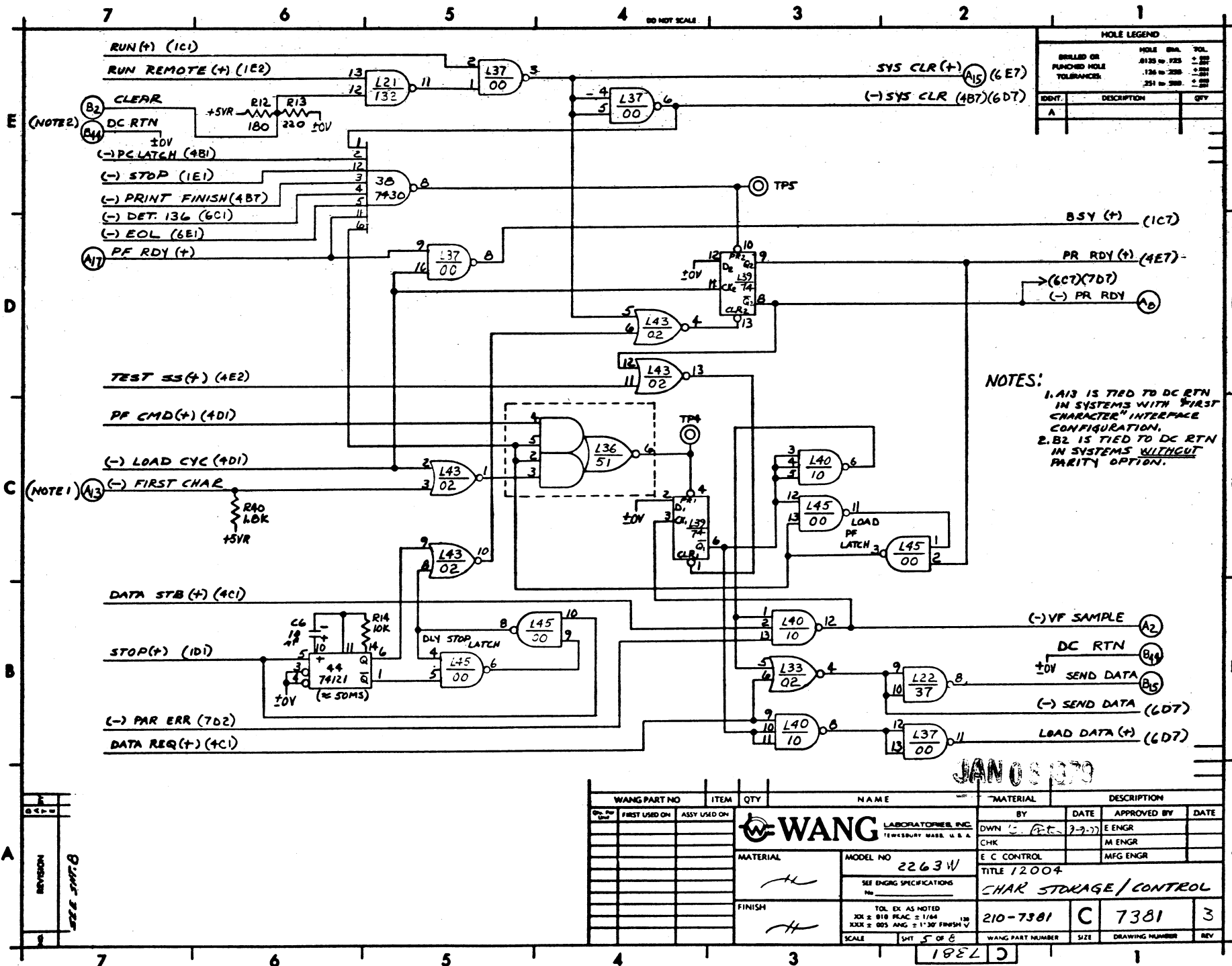
6

5

4

3

1



HOLE LEGEND		
DRILLED OR	HOLE DIA.	TOL.
FURNISHED HOLE	.0135 to .025	±.001
TOLERANCES:	.136 to .250	±.002
	.251 to .500	±.003
QTY.	DESCRIPTION	QTY.
A		

NOTES:  
 1. A13 IS TIED TO DC RTN IN SYSTEMS WITH "FIRST CHARACTER" INTERFACE CONFIGURATION.  
 2. B2 IS TIED TO DC RTN IN SYSTEMS WITHOUT PARITY OPTION.

JAN 10 1970

WANG PART NO	ITEM	QTY	NAME	MATERIAL	DESCRIPTION
2263W			LABORATORIES, INC. TEMPERARY MASS. U.S.A.		
			BY	DATE	APPROVED BY
			DWN	2-7-70	E ENGR
			CHK		M ENGR
			E C CONTROL		MFG ENGR
			TITLE 12004		
			CHAR STORAGE/CONTROL		
			TOL EX AS NOTED		
			XX ± .010 REAC ± 1/64	210-7381	C 7381
			XXX ± .005 ANG ± 1°30' FRESH V		3
			SCALE	SHT 5 OF 6	
			WANG PART NUMBER	SIZE	DRAWING NUMBER
					REV

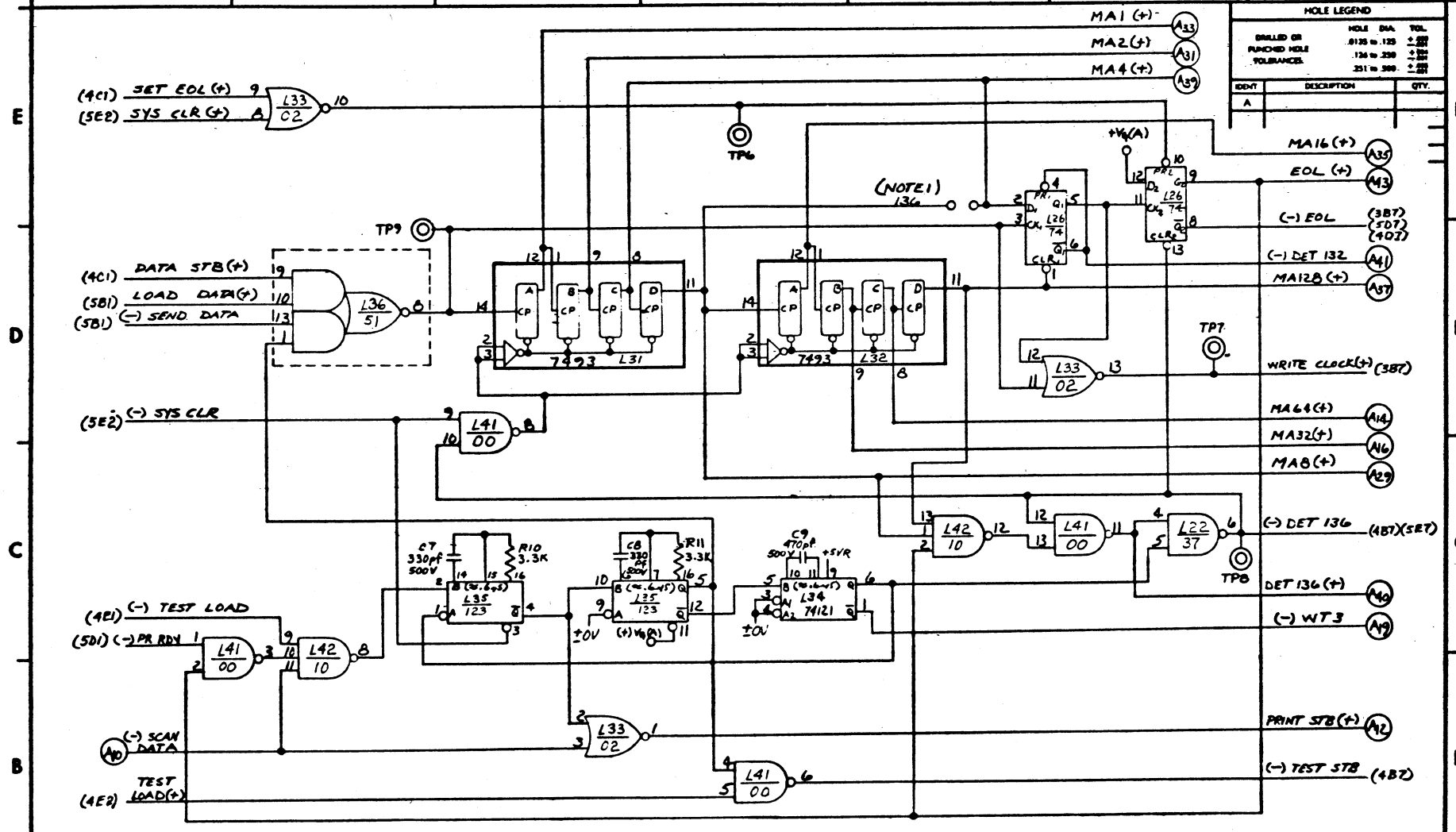
REVISION	DATE

18EL 3

DO NOT SCALE

HOLE LEGEND			
DRILLED OR PUNCHED HOLE TOLERANCES	HOLE DIA.	DIA.	TOL.
	.0125 to .125	±.001	
	.126 to .250	±.001	
	.251 to .500	±.002	

IDENT	DESCRIPTION	QTY.
A		



NOTES:  
 1. FOR 136 COLUMN PRINTER: INPUT SIGNAL MA4(+) MUST BE REMOVED FROM IC 26 PIN 2 AND REPLACED WITH JUMPER TO SIGNAL MAB(+).

REVISION	DATE	BY
1		

WANG PART NO	ITEM	QTY	NAME	MATERIAL	DESCRIPTION
	FIRST USED ON	ASSY USED ON	<b>WANG LABORATORIES, INC.</b> <small>TEMPERLEY HILLS, U.S.A.</small>		
			MATERIAL	MODEL NO	TITLE
				22631W	12004
			FINISH	SEE ENG'G SPECIFICATIONS	CHAR STORAGE/CONTROL
				TOL EX AS NOTED XX ± 010 FRAC ± 1/64 120 XXX ± 005 ANG ± 1'30" FINISH V	210-7381 C 7381 3
			SCALE	SHT 6 OF 8	WANG PART NUMBER SIZE DRAWING NUMBER REV

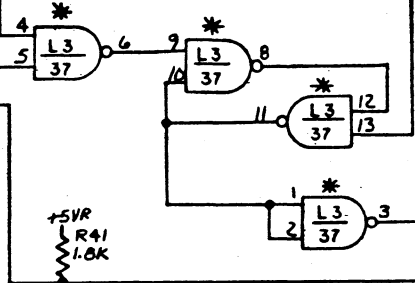
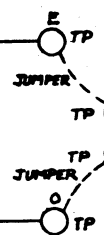
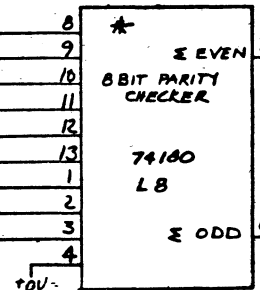
7 6 5 4 3 2 1

REMOTE RDY (+) (401)

DATA STB (+) (4C1)

- (-) BIT 1 (2E3) 8
- (-) BIT 2 (2E3) 9
- (-) BIT 5 (2E2) 10
- (-) BIT 6 (2E2) 11
- (-) BIT 8 (2E2) 12
- (-) BIT 7 (2E2) 13
- (-) BIT 4 (2E2) 1
- (-) BIT 3 (2E2) 2

+V<sub>6</sub> (B)



HOLE LEGEND		
DRILLED OR PUNCHED HOLE	HOLE DIA.	TOL.
	.0125 to .125	±.001
	.126 to .250	±.002
	.251 to .500	±.003

IDENT.	DESCRIPTION	QTY.
A		

DC RTN (B43)

PARITY ERROR (B39)

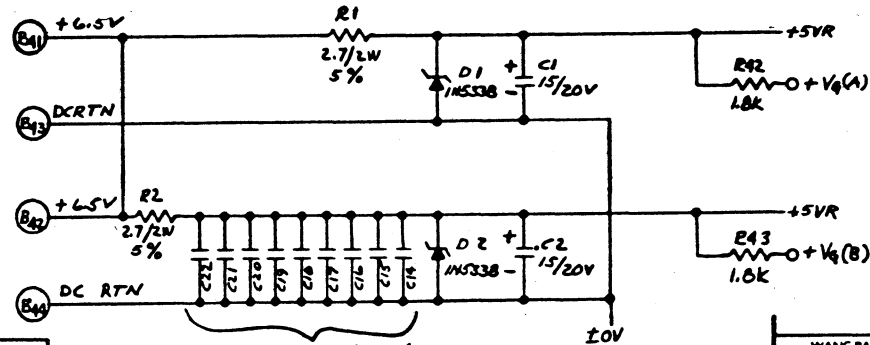
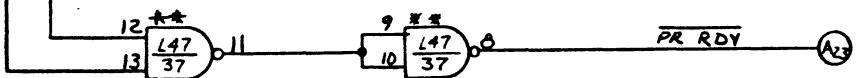
(-) PAR ERR (507)(3C7)

(RDY) (-) PR RDY

RUN REMOTE (+) (1E2)

\* THESE CKTS ONLY REQ FOR PARITY OPTION  
PARITY OPTION - INSTALL ABOVE CKTS.

PARITY	JUMPER
ODD	ETOP+, ETD-P
EVEN	OTDP+, ETD-P



(-) INHIBIT PRINT (A25)

S11 REQ'D FOR INHIBIT PRINT OPTION.  
NOT LOADED

JAN 08 1979

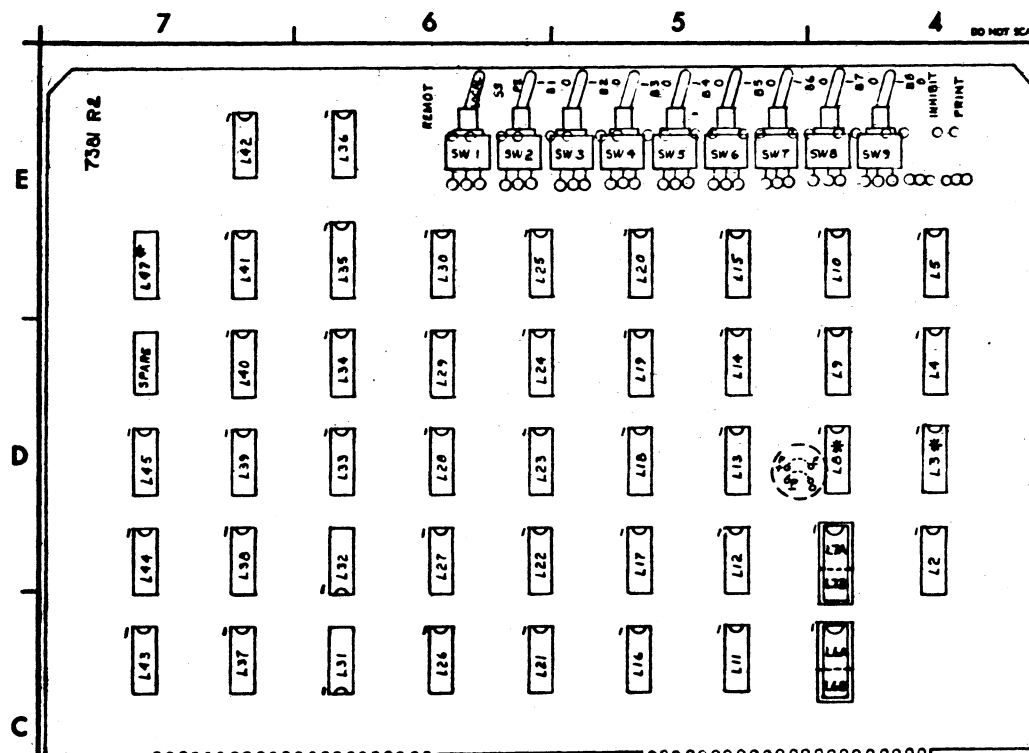
REV	DATE	DESCRIPTION
1		SEE SHEET B

WANG PART NO	ITEM	QTY	NAME	MATERIAL	DESCRIPTION
182L D					

BY	DATE	APPROVED BY	DATE
DWN S.F.E.	1-7-79	E ENGR	
CHK		M ENGR	
		MFG ENGR	

MODEL NO	2263 W
TITLE	12004
CHAR STORAGE/CONTROL	
TOL EX AS NOTED	
XX ± 0.10 FRAC ± 1/64	
XXX ± 0.05 ANG ± 1° 30' FINISH V	
210-7381	C 7381 3

7 6 5 4 3 2 1



LOCATION	W.L. PART NO.	TYPE
L2	376-0268	74122
L3,22,24,47*	376-0068	7437
L4,28,33,43	376-0016	7402
L5,10,15,20,23,25,36	376-0012	7451
L6A,6B,7A,7B	376-0143	TMS 3129
L8*	376-0050	74180
L9,12	376-0010	7404
L11,16	376-0081	7408
L13,26,30,39	376-0006	7474
L14,18,29,37,41,45	376-0002	7400
L17,19,40,42	376-0003	7410
L21	376-0266	74132
L27	376-0055	7406
L33,32	376-0011	7493
L34,44	376-0051	74121
L35	376-0080	74123
L38	376-0031	7430

LOCATION	TYPE	SPARES
L29	7400	1

HOLE LEGEND		
DRILLED OR PUNCHED HOLE TOLERANCES:	HOLE DIA.	TOL.
	0.125 to .125	±.002
	.126 to .250	±.004
	.251 to .500	±.008

QDIT.	DESCRIPTION	QTY
A		

COMPONENT	W.L. PART NO.
R1,2	337-0028
R3	332-1027
R4,12,15,17,19,21,23,25,27,29,31,34,37	330-2018
R5,13,14,18,20,22,24,26,28,30,32,35,38	330-2022
R6,8,40-53,55,56	330-3018
R7,9,33,36,39	330-3010
R10,11	330-3033
R14	330-4010
R54	330-1047

C1,2,25	300-4022
C3,4,5	300-1100
C6	300-3006
C7,8	300-1330
C9	300-1470
C10-22	300-1903
C23	300-1935
C24	300-4014
SW 1-9	325-0034
L6,7	376-9006
D1,2	380-2137
D3	380-2138

- A**
- 1 INITIATE PRINT +
  - 2 -VF SAMPLE
  - 3 -64 CHRS SP CODE
  - 4 -PRINT FINISH
  - 5 -SPACE CODE
  - 6 -PC LATCH
  - 7 -PR RDY
  - 8 -PR ADY
  - 9 -SCAN DATA
  - 10 -PRINT STB +
  - 11 -BIT 1
  - 12 -AUTO LINEFEED
  - 13 -FIRST CHAR
  - 14 -SVC CLR +
  - 15 -PAR CLR +
  - 16 -COMPARE
  - 17 -PR RDY +
  - 18 -WTS
  - 19 -LIMIT +
  - 20 -BIT 7
  - 21 -BIT 2
  - 22 -END ALARM
  - 23 -END STOP
  - 24 -END RUN
  - 25 -RUN +
  - 26 -PAR REMOVE +
  - 27 -LME +
  - 28 -LME +
  - 29 -LME +
  - 30 -LME +
  - 31 -LME +
  - 32 -DET 136 +
  - 33 -LME +
  - 34 -LME +
  - 35 -LME +
  - 36 -LME +
  - 37 -LME +
  - 38 -LME +
  - 39 -LME +
  - 40 -LME +
  - 41 -LME +
  - 42 -LME +
  - 43 -LME +
  - 44 -LME +

- B**
- 1 CLEAR
  - 2 -BIT 2
  - 3 -BIT 2
  - 4 -BUS 2
  - 5 -BUS 2
  - 6 -BUS 2
  - 7 -BUS 2
  - 8 -BUS 2
  - 9 -BUS 2
  - 10 -BUS 2
  - 11 -BUS 2
  - 12 -BUS 2
  - 13 -BUS 2
  - 14 -BUS 2
  - 15 -BUS 2
  - 16 -BUS 2
  - 17 -BUS 2
  - 18 -BUS 2
  - 19 -BUS 2
  - 20 -BUS 2
  - 21 -BUS 2
  - 22 -BUS 2
  - 23 -BUS 2
  - 24 -BUS 2
  - 25 -BUS 2
  - 26 -BUS 2
  - 27 -BUS 2
  - 28 -BUS 2
  - 29 -BUS 2
  - 30 -BUS 2
  - 31 -BUS 2
  - 32 -BUS 2
  - 33 -BUS 2
  - 34 -BUS 2
  - 35 -BUS 2
  - 36 -BUS 2
  - 37 -BUS 2
  - 38 -BUS 2
  - 39 -BUS 2
  - 40 -BUS 2
  - 41 -BUS 2
  - 42 -BUS 2
  - 43 -BUS 2
  - 44 -BUS 2

JAN 08 1979

E-REV  
0

REVISION	DATE	DESCRIPTION
1	10/1/78	DESIGNATED PER DWG # 7381-1-1
2	10/1/78	REVISED PER DWG # 7381-1-2
3	10/1/78	REVISED PER DWG # 7381-1-3
4	10/1/78	REVISED PER DWG # 7381-1-4
5	10/1/78	REVISED PER DWG # 7381-1-5
6	10/1/78	REVISED PER DWG # 7381-1-6
7	10/1/78	REVISED PER DWG # 7381-1-7
8	10/1/78	REVISED PER DWG # 7381-1-8
9	10/1/78	REVISED PER DWG # 7381-1-9
10	10/1/78	REVISED PER DWG # 7381-1-10

WANG PART NO	ITEM	QTY	N A M E	MATERIAL	DESCRIPTION
2263W					
MATERIAL		MODEL NO 2263W		TITLE 12004	
FINISH		TOL EX AS NOTED		MFG ENGR	
		210-7381		C 7381	
		198 L		3	

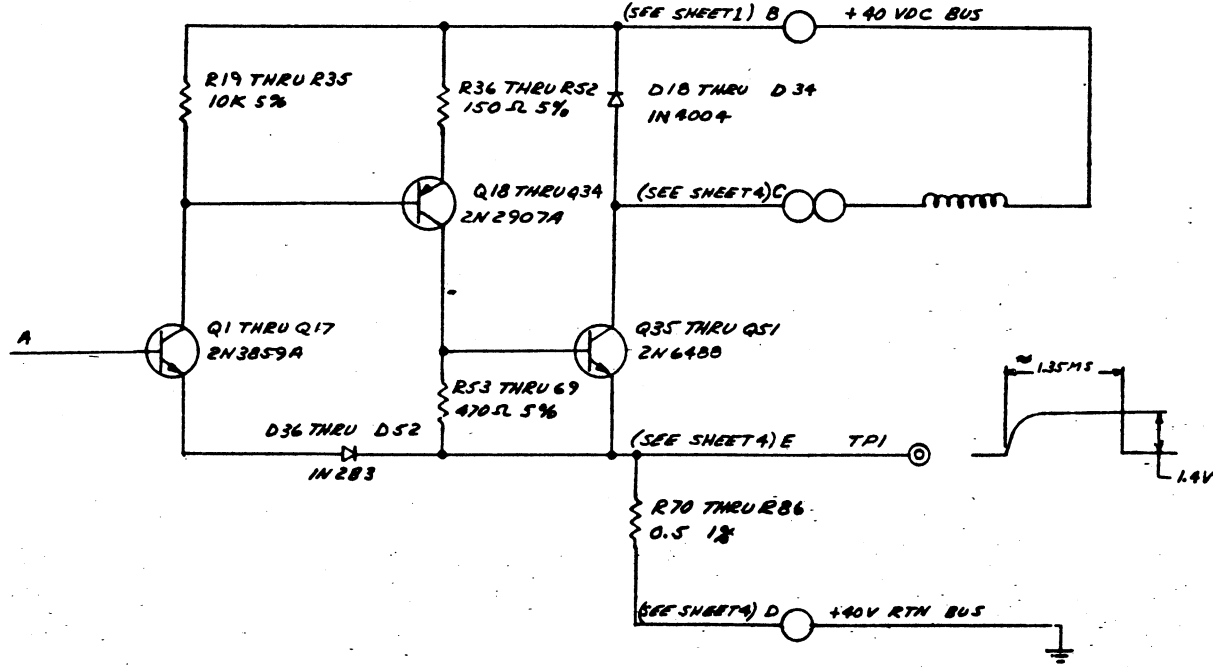
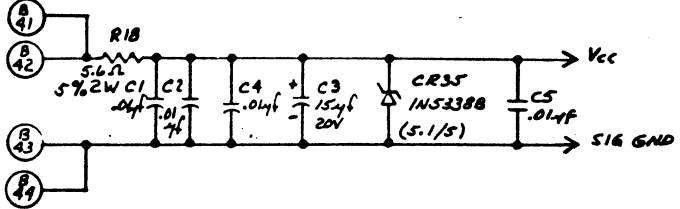
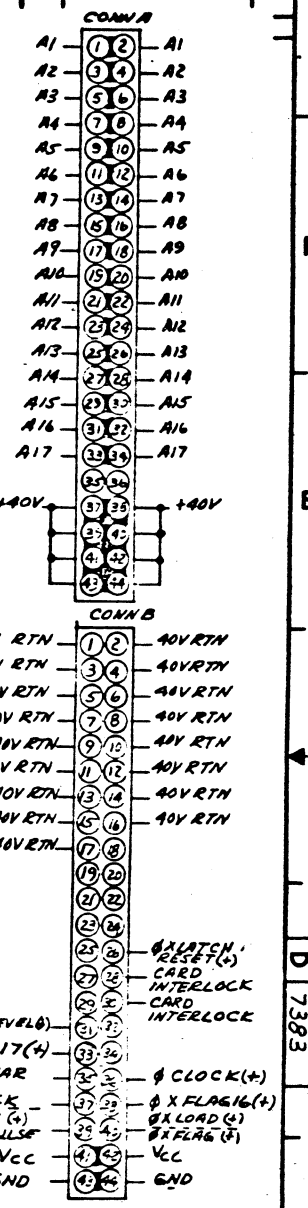
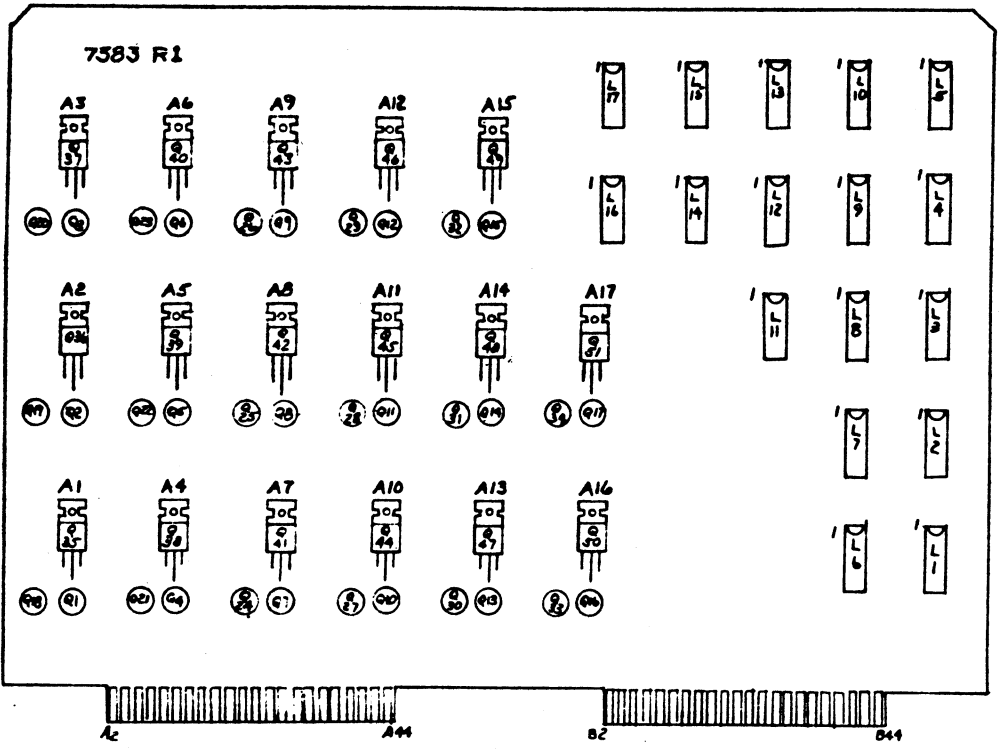




THE INFORMATION CONTAINED IN THIS DRAWING IS THE PROPERTY OF WANG LABORATORIES, INC. AND IS CONFIDENTIAL AND PROPRIETARY TO WANG LABORATORIES, INC. IT MAY NOT BE COPIED, REPRODUCED OR USED IN WHOLE OR IN PART FOR ANY REASON.

MILLIMETERS IN PARENTHESES. TOLERANCES TO BE EQUIVALENT TO INCH DIMENSIONS.

HOLE LEGEND & TOLERANCES		
SYMBOL	DESCRIPTION	QTY.
1	1.00 ± .01	1
2	1.00 ± .01	1
3	1.00 ± .01	1
4	1.00 ± .01	1
5	1.00 ± .01	1
6	1.00 ± .01	1
7	1.00 ± .01	1
8	1.00 ± .01	1
9	1.00 ± .01	1
10	1.00 ± .01	1
11	1.00 ± .01	1
12	1.00 ± .01	1
13	1.00 ± .01	1
14	1.00 ± .01	1
15	1.00 ± .01	1
16	1.00 ± .01	1
17	1.00 ± .01	1
18	1.00 ± .01	1
19	1.00 ± .01	1
20	1.00 ± .01	1
21	1.00 ± .01	1
22	1.00 ± .01	1
23	1.00 ± .01	1
24	1.00 ± .01	1
25	1.00 ± .01	1
26	1.00 ± .01	1
27	1.00 ± .01	1
28	1.00 ± .01	1
29	1.00 ± .01	1
30	1.00 ± .01	1
31	1.00 ± .01	1
32	1.00 ± .01	1
33	1.00 ± .01	1
34	1.00 ± .01	1
35	1.00 ± .01	1
36	1.00 ± .01	1
37	1.00 ± .01	1
38	1.00 ± .01	1
39	1.00 ± .01	1
40	1.00 ± .01	1
41	1.00 ± .01	1
42	1.00 ± .01	1
43	1.00 ± .01	1
44	1.00 ± .01	1
45	1.00 ± .01	1
46	1.00 ± .01	1
47	1.00 ± .01	1
48	1.00 ± .01	1
49	1.00 ± .01	1
50	1.00 ± .01	1
51	1.00 ± .01	1
52	1.00 ± .01	1
53	1.00 ± .01	1
54	1.00 ± .01	1
55	1.00 ± .01	1
56	1.00 ± .01	1
57	1.00 ± .01	1
58	1.00 ± .01	1
59	1.00 ± .01	1
60	1.00 ± .01	1
61	1.00 ± .01	1
62	1.00 ± .01	1
63	1.00 ± .01	1
64	1.00 ± .01	1
65	1.00 ± .01	1
66	1.00 ± .01	1
67	1.00 ± .01	1
68	1.00 ± .01	1
69	1.00 ± .01	1
70	1.00 ± .01	1
71	1.00 ± .01	1
72	1.00 ± .01	1
73	1.00 ± .01	1
74	1.00 ± .01	1
75	1.00 ± .01	1
76	1.00 ± .01	1
77	1.00 ± .01	1
78	1.00 ± .01	1
79	1.00 ± .01	1
80	1.00 ± .01	1
81	1.00 ± .01	1
82	1.00 ± .01	1
83	1.00 ± .01	1
84	1.00 ± .01	1
85	1.00 ± .01	1
86	1.00 ± .01	1
87	1.00 ± .01	1
88	1.00 ± .01	1
89	1.00 ± .01	1
90	1.00 ± .01	1
91	1.00 ± .01	1
92	1.00 ± .01	1
93	1.00 ± .01	1
94	1.00 ± .01	1
95	1.00 ± .01	1
96	1.00 ± .01	1
97	1.00 ± .01	1
98	1.00 ± .01	1
99	1.00 ± .01	1
100	1.00 ± .01	1



LOCATION	W.L.P.T.NO	TYPE
L1-9, 11, 12, 14, 16, 17	376-0002	7400
L5, 10	376-0102	74164
L13	376-0006	7474
L15	376-0009	7410

SPARES		
LOCN.	TYPE	SP
L17	7400	1

COMPONENT	W.L.P.T.NO
R1-17	330-3034
R18	337-0057
R19-35	330-4011
R36-52	330-2016
R53-69	330-2048
R70-86	334-0029
D1-17, 36-52	380-0001
D35	380-2137
D18-34	380-4000
C1, 2, 4, 5	300-1903
C3	300-4022
Q1-17	375-1060
Q18-34	375-1059
Q35-51	375-1054

JAN 08 1979

REV	BY	DATE	DESCRIPTION	QTY	ITEM	WANG PART NO	DRAWING NO	DESCRIPTION
1	EDW	7-77	...					
2	...	...	...					
3	...	...	...					
4	...	...	...					
5	...	...	...					
6	...	...	...					
7	...	...	...					
8	...	...	...					
9	...	...	...					
10	...	...	...					
11	...	...	...					

**WANG** LABORATORIES, INC. TEMPORARY MADE U.S.A.

MODEL NO 2263W  
SEE ENGR SPECIFICATIONS

TITLE (C10020 SMT 20F2)  
HS HAMMER DRIVER LOGIC

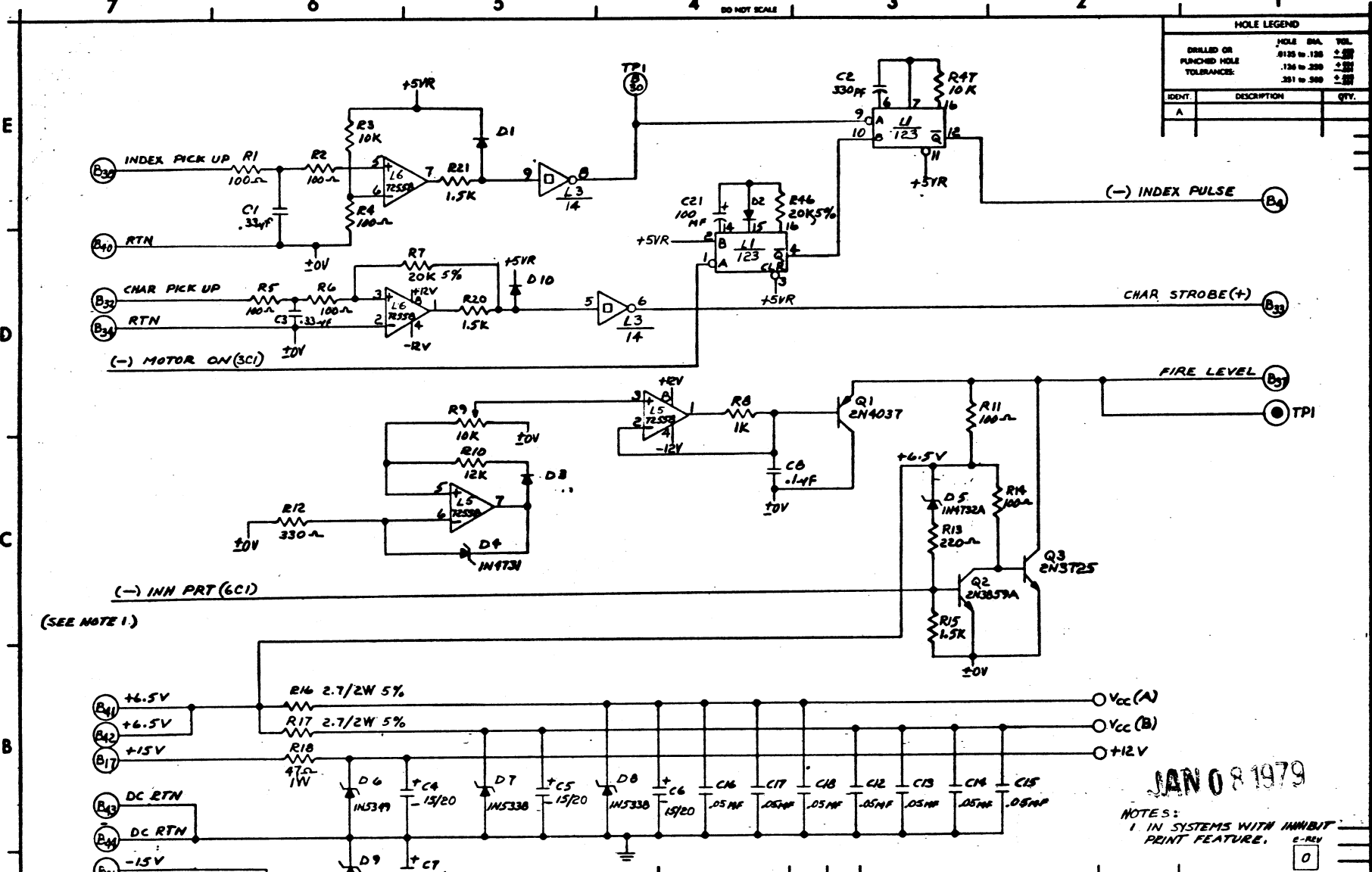
210-7383 D 7383 2

SCALE 1/8" = 1" SMT 2 OF 2 WANG PART NUMBER SIZE DRAWING NUMBER REV

DO NOT SCALE

HOLE LEGEND		
DRILLED OR PUNCHED HOLE TOLERANCE	HOLE DIA.	TOL.
0.125 to 0.125	0.125	±0.002
0.125 to 0.250	0.125	±0.002
0.251 to 0.500	0.250	±0.002

IDENT	DESCRIPTION	QTY.
A		



(SEE NOTE 1)

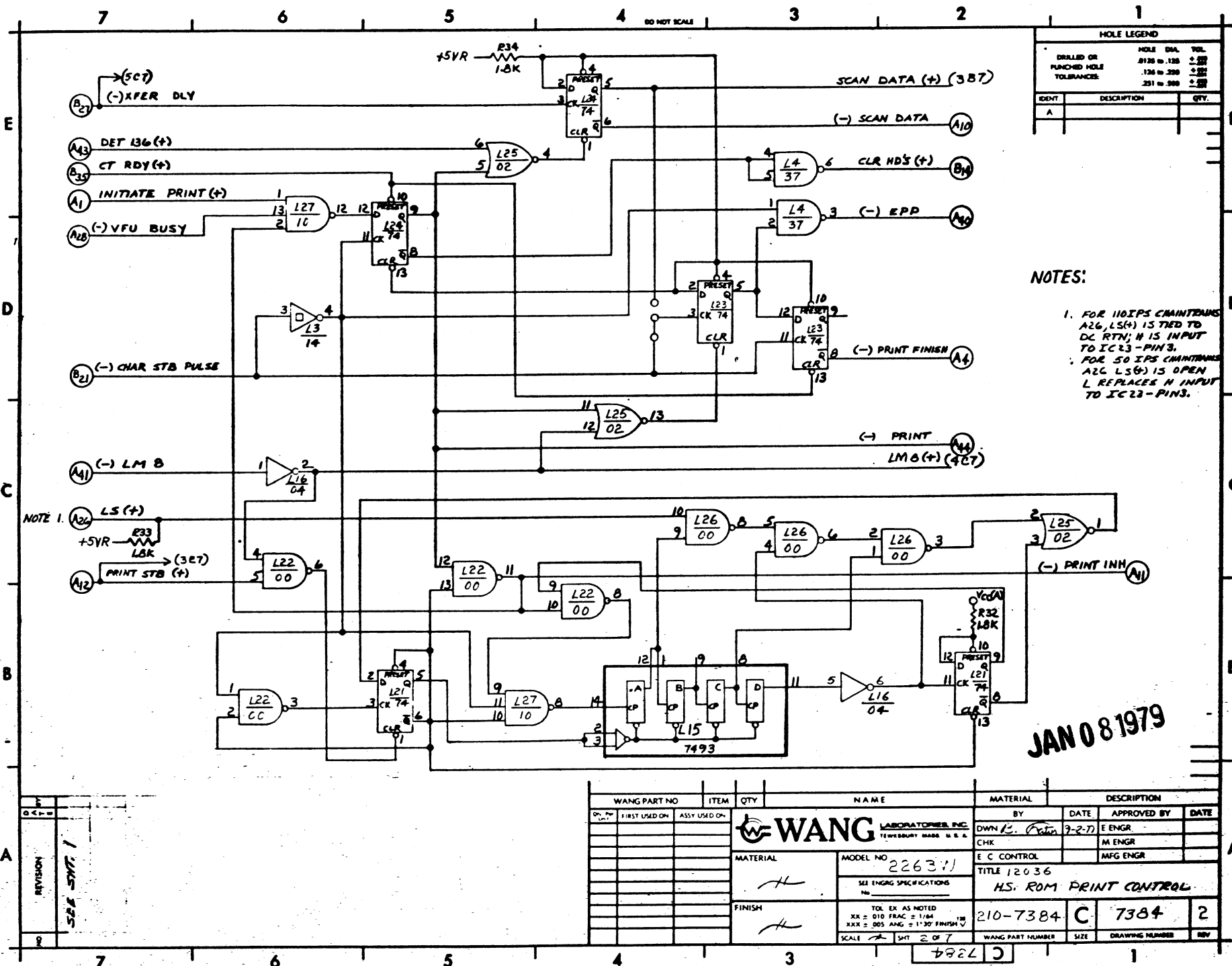
JAN 08 1979

NOTES:  
1 IN SYSTEMS WITH INHIBIT PRINT FEATURE.

REV	DATE	BY	DESCRIPTION
1	10-27-78	WJ	REVISED PER
2	10-27-78	WJ	REVISED PER
3	10-27-78	WJ	REVISED PER
4	10-27-78	WJ	REVISED PER
5	10-27-78	WJ	REVISED PER
6	10-27-78	WJ	REVISED PER
7	10-27-78	WJ	REVISED PER

WANG PART NO	ITEM	QTY	NAME	MATERIAL	DESCRIPTION
	FIRST USED ON	ASSY USED ON			
			<b>WANG</b> LABORATORIES INC. TECHNOLOGY MADE U.S.A.	BY	DATE
			MATERIAL	DATE	APPROVED BY
			MODEL NO. 2263W	DATE	DATE
			SEE ENG SPECIFICATIONS		
			FINISH	TITLE 12036	
			TOL EX AS NOTED	HS. ROM PRINT CONTROL	
			JUK = 010 FRAC = 1/64	210-7384	C 7384 2
			XXX = 005 ANG = 1°30' FINISH	WANG PART NUMBER	SIZE
			SCALE	DRIVING NUMBER	REV

4882 C

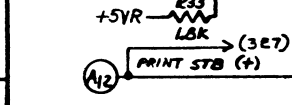


HOLE LEGEND		
DRILLED OR PUNCHED HOLE TOLERANCE:	HOLE DIA.	TOL.
	.0125 to .125	±.002
	.126 to .250	±.003
	.251 to .500	±.005
IDENT.	DESCRIPTION	QTY.
A		

NOTES:

- FOR 110IPS MAINFRAMES A26, LS(4) IS TIED TO DC RTN; H 15 INPUT TO IC23 - PIN 3.
- FOR 50 IPS MAINFRAMES A26, LS(4) IS OPEN L REPLACES H INPUT TO IC23 - PINS.

NOTE 1.

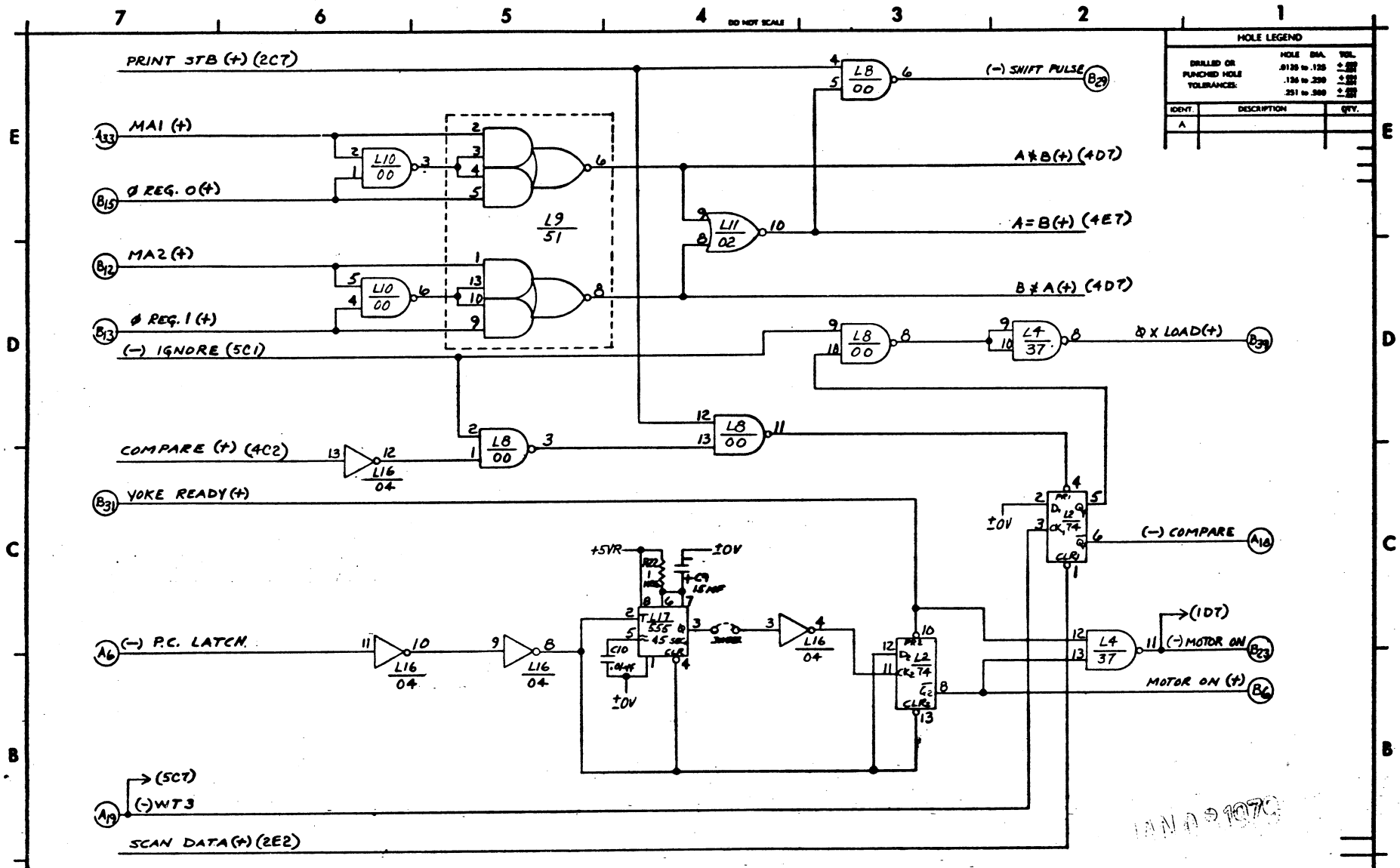


WANG PART NO	ITEM	QTY	NAME	MATERIAL	DESCRIPTION
ON FILE	FIRST USED ON	ASSY USED ON	<b>WANG LABORATORIES, INC.</b> TEMPERLEY HILLS, PA. U.S.A. MODEL NO. 226371 SEE ENGRG SPECIFICATIONS No.		
			FINISH	TOL EX AS NOTED XX = .010 FRAC = 1/64 XXX = .005 ANG = 1°-30' FINISH ✓	210-7384 C 7384 2
			SCALE 2 OF 7	WANG PART NUMBER	SIZE
					DRAWING NUMBER

REVISION	DATE	BY
1		

JAN 08 1979

4827 C



HOLE LEGEND		
DRILLED OR PUNCHED HOLE TOLERANCE:	HOLE DIA.	TOL.
	.0125 to .125	±.001
	.126 to .250	±.002
	.251 to .500	±.003
IDENT.	DESCRIPTION	QTY.
A		

REVISION	DATE	BY
1		

SEE SHEET 1

WANG PART NO	ITEM	QTY	NAME	MATERIAL	DESCRIPTION						
210-7384		1									
<table border="1"> <thead> <tr> <th>DATE</th> <th>FIRST USED ON</th> <th>ASSY USED ON</th> </tr> </thead> <tbody> <tr> <td></td> <td></td> <td></td> </tr> </tbody> </table>			DATE	FIRST USED ON	ASSY USED ON				<b>WANG</b> LABORATORIES, INC. THUNDERBOLT BLDG., U.S.A.		BY: <i>DWH/LS</i> DATE: 7-2-77 E ENGR M ENGR MFG ENGR
DATE	FIRST USED ON	ASSY USED ON									
MODEL NO: 2263W SEE ENG'G SPECIFICATIONS			TITLE: 12036 H.S. ROM PRINT CONTROL								
FINISH: <i>HL</i>			TOL. EX. AS NOTED XX ± 010 FRAC = 1/64 XXX ± 005 ANG = 1°30' FINISH ✓ SCALE: 3/8" = 1" SHIT 3 OF 7		210-7384 C 7384 2						
			WANG PART NUMBER SIZE DRAWING NUMBER REV		210-7384 C 7384 2						

11/10/77

82EL 3

7

6

5

4

DO NOT SCALE

3

2

1

HOLE LEGEND		
DRILLED OR PUNCHED HOLE TOLERANCE:	HOLE DIA.	TOL.
	.0135 to .125	± .001
	.126 to .250	± .002
	.251 to .500	± .003
IDNT.	DESCRIPTION	QTY.
A		

A=B (+) (3E2)  
 B≠A (+) (3D2)  
 A≠B (+) (3E2)

1(+)(5E1)

(-) CC1

(2)(+)(5E1)

(-) CC2

3(+)(5E1)

(-) CC3

4(+)(5E1)

(-) CC4

5(+)(5E1)

6(+)(5E1)

LMB (+) (2C2)

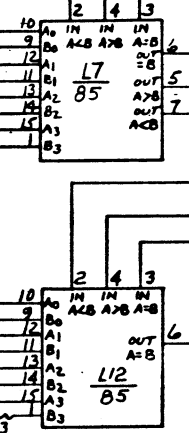
(-) CC5

(-) CC6

(-) CC7

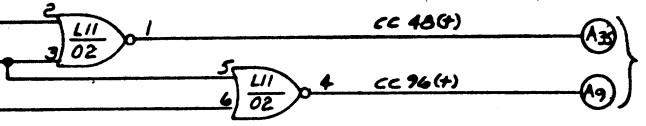
7(+)

SEE NOTE 1



- NOTES:
- 1A. FOR BINARY CODED SEQUENTIAL CHARACTER CHAINTRAINS 6 BIT CODES—JUMPER A20 TO B11 [(-)CC7]
  - 1B. FOR ALL CODES REQUIRING ROM TRANSLATION—SEE APPROPRIATE FROM PROFILE DATA SHEETS FOR JUMPING INFORMATION.
  2. NUMBER OF CHARACTERS IN SET DETERMINE CC RESET (+) SIGNAL.  
 I.E. CHARACTER SET  
 48 CHAR—CC 48(+)  
 96 CHAR—CC 96(+)  
 64 CHAR—DC RTH  
 128 CHAR—DC RTH

COMPARE (+) (3C7) 4.0.3



NOTE 2

JAN 03 1979

REVISION	DATE	BY
1		

SEE SHWT 1

WANG PART NO	ITEM	QTY	NAME	MATERIAL	DESCRIPTION
	FIRST USED ON	ASSY USED ON		BY	DATE
				DWN	7-6-77
				CHK	M ENGR
					MFG ENGR
			MATERIAL	MODEL NO	E C CONTROL
				2263W	TITLE 12036
				SEE ENG'G SPECIFICATIONS	HS. ROM PRINT CONTROL
			FINISH		
				TOL. EX. AS NOTED	
				XX ± .010 FRAC ± 1/64	
				XXX ± .005 ANG ± 1' 30" FINISH	
			SCALE	210-7384	C 7384
				WANG PART NUMBER	SIZE
				SHT 4 OF 7	DRAWING NUMBER
					REV

7

6

5

4

3

1

7

6

5

4

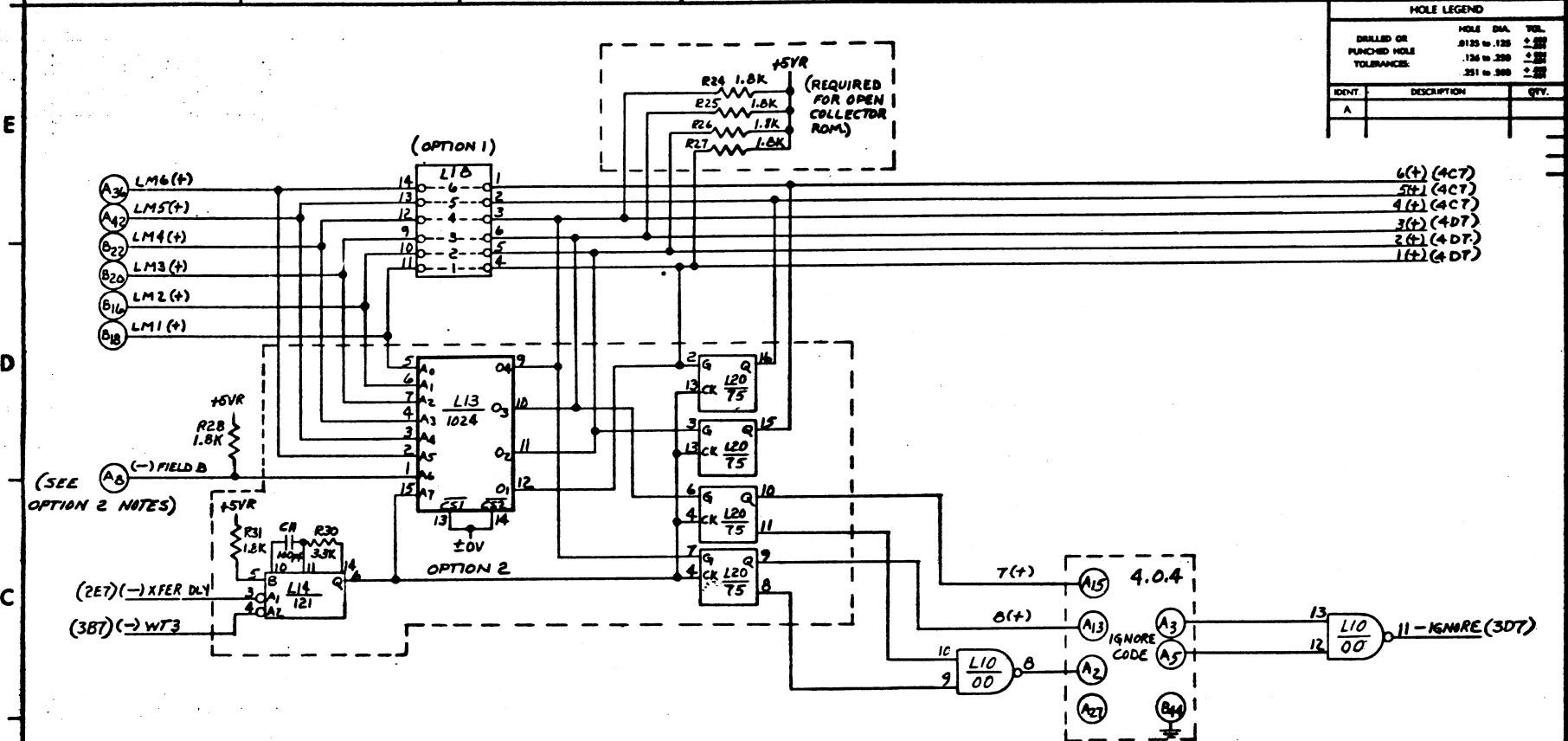
DO NOT SCALE

3

2

1

HOLE LEGEND		
DILLED OR	HOLE DIA.	TOL.
PUNCHED HOLE	.0125 to .125	± .005
	.126 to .250	± .005
	.251 to .500	± .005
IDENT	DESCRIPTION	QTY.
A		



6(+)	(4CT)
5(+)	(4CT)
4(+)	(4CT)
3(+)	(4DT)
2(+)	(4DT)
1(+)	(4DT)

(SEE A6 (-) FIELD B  
OPTION 2 NOTES)

(2E7) (-) XFER DLY  
(3B7) (-) WT3

IGNORE CODES:  
OPTION 1 - JUMPER 5A-5 TO 5B-44 (ASCII)

2 - FOR JUMPERING INFORMATION SEE APPROPRIATE  
PROM PROFILE SHEETS.

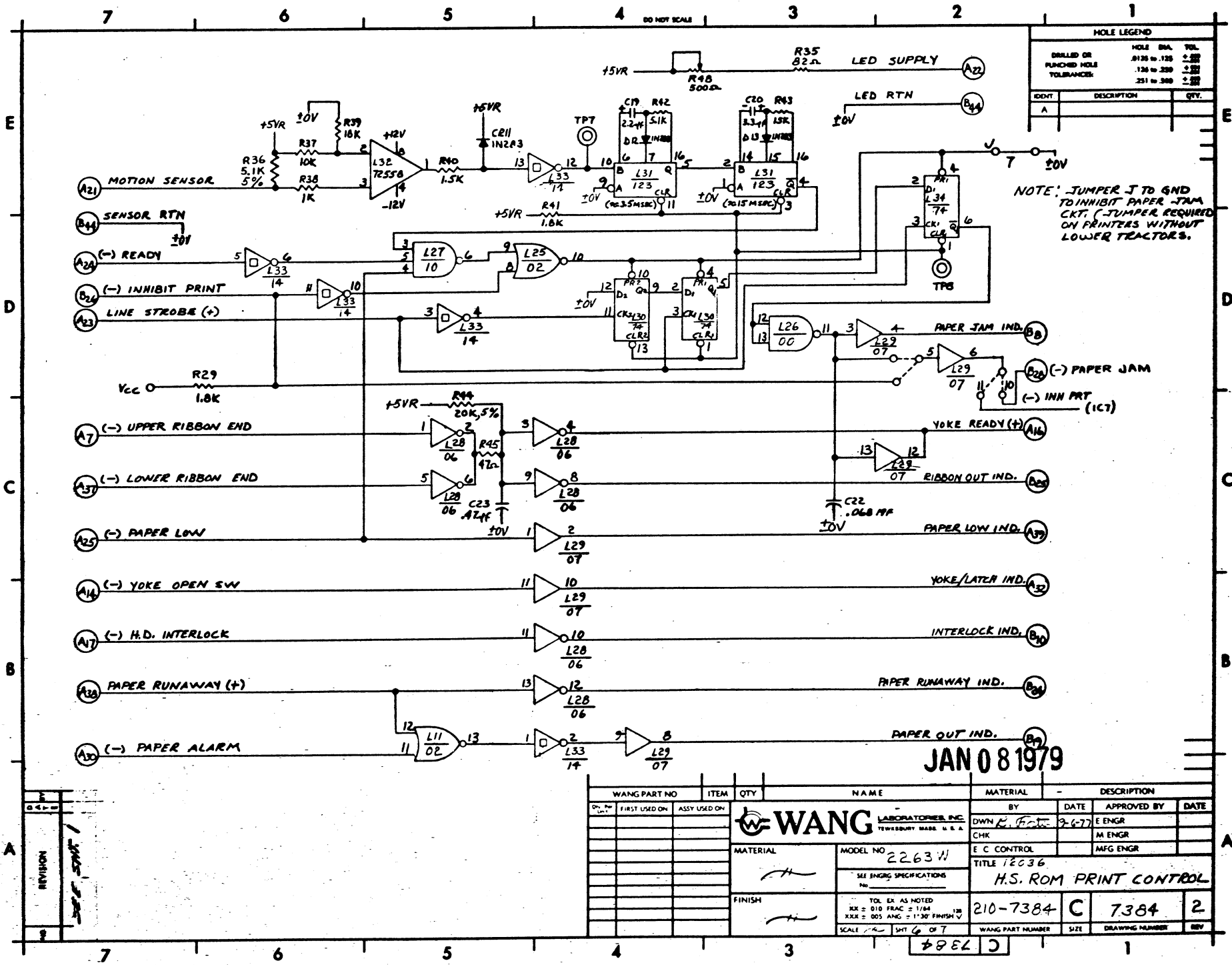
OPTIONS:  
1. FOR BINARY CODED SEQUENTIAL CHARACTER CHAINTRAINS, JUMPER  
INDICATED CONNECTIONS OF LOCATION 10.  
2. FOR ALL CODES REQUIRING TRANSLATION.

REVISION	DATE	BY
1	1/25/79	WJ

WANG PART NO	ITEM	QTY	NAME	MATERIAL	DESCRIPTION
22634					
MATERIAL			MODEL NO	TITLE / 2036	
FINISH			SEE ENG SPECIFICATIONS	H.S. ROM PRINT CONTROL	
			TOL EX AS NOTED	210-7384	C 7384 2
			XX ± 010 FRAC ± 1/64	WANG PART NUMBER	SIZE
			XXX ± 005 ANG ± 1'30" FINISH	SCALE	SHT 7 OF 7

JAN 08 1979

WANG



HOLE LEGEND		
DRILLED OR PUNCHED HOLE	HOLE DIA.	TOL.
	.0125 to .125	±.005
	.126 to .250	±.005
	.251 to .500	±.005
DDMT	DESCRIPTION	QTY.
A		

NOTE: JUMPER J TO GND TO INHIBIT PAPER JAM CKT. (JUMPER REQUIRED ON PRINTERS WITHOUT LOWER TRACTORS.)

JAN 08 1979

REV.	REVISION
04	1

WANG PART NO.	ITEM	QTY.	NAME	MATERIAL	DESCRIPTION
2263W					
MATERIAL			MODEL NO. 2263W	BY DATE APPROVED BY DATE	
FINISH			SEE ENGR SPECIFICATIONS	TITLE 72036	
			TOL EX AS NOTED	210-7384 C 7384 2	
			XXX = 010 FRAC ± 1/64	WANG PART NUMBER SIZE DRAWING NUMBER REV	
			XXX = 005 ANG ± 1°30' FINISH V		
			SCALE 2" = 1" SH 6 OF 7		

88EL 0

7

6

5

4

DO NOT SCALE

3

2

1

F

D

C

B

A

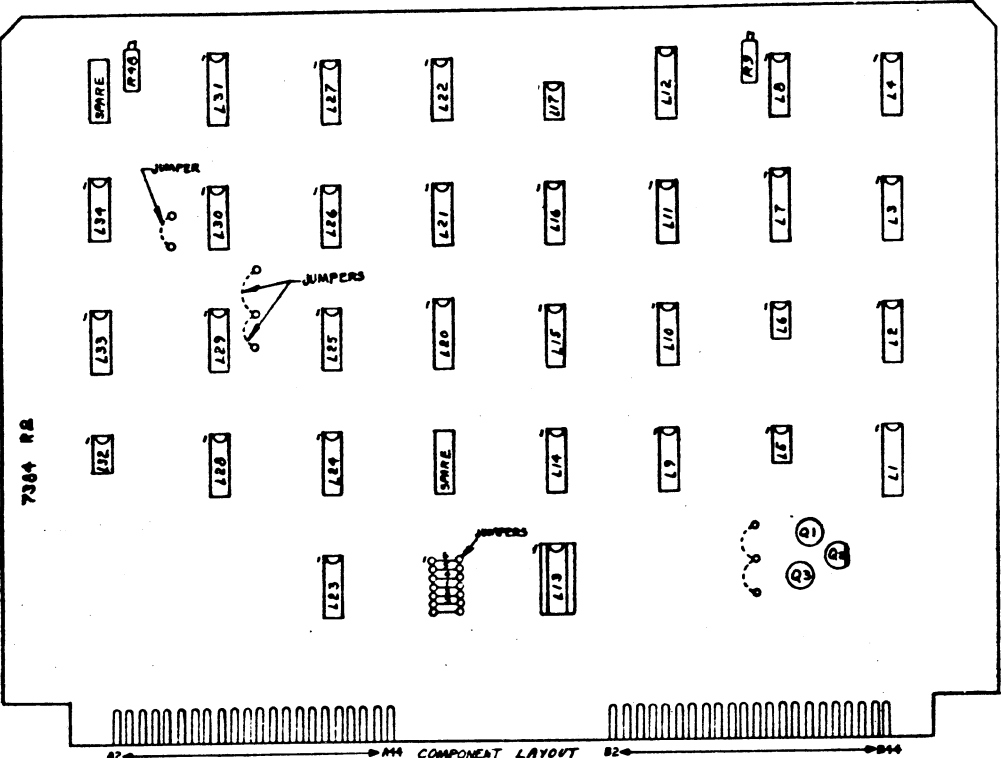
E

D

C

B

A



LOCATION	W.L. PART NO.	TEMP. NO.	TEMP. NO.
L1,31	376-0080	7	14
L22,23,24, 30, 34	376-0006	7	14
L3,33	376-0139	7	14
L4	376-0068	7	14
L5,6,32	376-0265	4	8
L7,12	376-0087	8	16
L8,10,22, 26	376-0002	7	14
L9	376-0012	7	14
L11,25	376-0016	7	14
L13	377-0003	8	16
L14	376-0051	7	14
L15	376-0011	10	5
L16	376-0010	7	14
L17	376-0126	1	8
L27	376-0003	7	14
L28	376-0055	7	14
L29	376-0056	7	14
L20	376-0013		

LOCATION	TYPE	SPARES
L3	7414	3
L32	72558	1
L33	7414	1
L34	7474	1

HOLE LEGEND		
DRILLED OR PUNCHING HOLE TOLERANCE:	HOLE DIA.	TOL.
	.128 to .188	±.005
	.188 to .250	±.005
	.251 to .300	±.005
IDENT.	DESCRIPTION	QTY.
A		

COMPONENT	W.L. PART NO.
C1,3	360-1937
C2	300-1330
C4,5,6,7,9	300-4022
C8	300-1901
C10	300-1903
C11	300-1100
C19	300-4014
C20	300-4016
C21	300-3011
C22	300-1939
C23	300-1933
C12-18	300-1900
C1	375-0018
Q2	375-1060
Q3	375-1027
L13,20	376-9006

D1,2,3,10	380-1001
D4	380-2134
D5	380-2135
D6,9	380-2138
D7,8	380-2137
D11,12,13	380-0001
R2,4,5,6,11,14,1	330-2010
R3,37,47	330-4010
R7,44,46	330-4021
R8,36	330-3010
R9	336-0037
R10	330-4012
R12	330-2033
R13	330-2022
R15,20,21,40	330-3015
R16,17	337-0028
R18,19	332-1047
R22	330-6010
R23,29,31-34,41	330-3018
R45	330-1047
R46	336-0040
R30	330-3033
R35	330-1082
R36,42	330-3052
R39	330-4018
R43	330-4015

- 1 - IGNITE CODE
- 2 - PRINT FINISH
- 3 - PC LATCH
- 4 - FIELD B
- 5 - SCAN DATA
- 6 - PRINT STB +
- 7 - YONE OPEN SW
- 8 - YONE READY +
- 9 - COMPARE
- 10 - LED SUPPLY
- 11 - READY
- 12 - LS+
- 13 - VPU BUST
- 14 - PAPER ALARM
- 15 - VME/LATCH INH.
- 16 - L.M.6 +
- 17 - PAPER REWIND +
- 18 - PAPER REWIND -
- 19 - EPP
- 20 - L.M.5 +
- 21 - PRINT
- 22 - DRY ISG (+)
- 23 - CC1
- 24 - INDEX PULSE
- 25 - MOTOR ON +
- 26 - PAPER JAM IN
- 27 - INTERLOCK INH
- 28 - MAR +
- 29 - CLR INH +
- 30 - L.M.7 +
- 31 - L.M.1 +
- 32 - L.M.3 +
- 33 - L.M.4 +
- 34 - PAPER REWIND +
- 35 - PAPER REWIND -
- 36 - INHIBIT PRINT
- 37 - PAPER JAM
- 38 - TP1
- 39 - CHAR PICK UP
- 40 - RTN
- 41 - ISV
- 42 - FIRE LEVEL
- 43 - INDEX PICK UP
- 44 - BK LOAD +
- 45 - +6.5V
- 46 - DC RTN

- 1 - INITIATE PRINT +
- 2 - IGNITE CODE
- 3 - UPPER RIBBON END
- 4 - CC36(+)
- 5 - PRINT INH
- 6 - 84
- 7 - +
- 8 - -M.D. INTERLOCK
- 9 - -WT3
- 10 - MISTAIN SENSOR
- 11 - LINE STROBE +
- 12 - PAPER LOW
- 13 - MA1 +
- 14 - CC4B(+)
- 15 - LOWER RIBBON END
- 16 - PAPER LOW END
- 17 - -L.M.B
- 18 - DRY ISG(+)
- 19 - -CC3
- 20 - -CC2
- 21 - -CC5
- 22 - -CC4
- 23 - -CC6
- 24 - -CC7
- 25 - ORE 61 +
- 26 - BRE 60 +
- 27 - +15V
- 28 - PAPER OUT INH
- 29 - CHAR STB PULSE
- 30 - MOTOR ON
- 31 - RIBBON OUT INH
- 32 - XFER DLY
- 33 - SHIFT PULSE
- 34 - YONE READY +
- 35 - CHAR STROBE +
- 36 - CT RBY +
- 37 - ISV
- 38 - FIRE LEVEL
- 39 - BK LOAD +
- 40 - +6.5V
- 41 - DC RTN

WANG PART NO.	ITEM	QTY	NAME	MATERIAL	DESCRIPTION
2263W	FIRST USED ON				
	ASSY USED ON				
			<b>WANG LABORATORIES INC.</b>		
			MODEL NO. 2263W		
			SEE ENGR SPECIFICATIONS.		
			TITLE 12036		
			H.S. ROM PRINT CONTROL		
			TOL EX AS NOTED		
			XX ± 0.10 FRAC = 1/64		
			XXX ± 0.05 ANG = 1°30' FINISH		
			SCALE 1/8" = 1"		
			SHT 7 OF 7		
				210-7384	C 7384
				WANG PART NUMBER	SIZE
				2	REV

1979



7

6

5

4

3

2

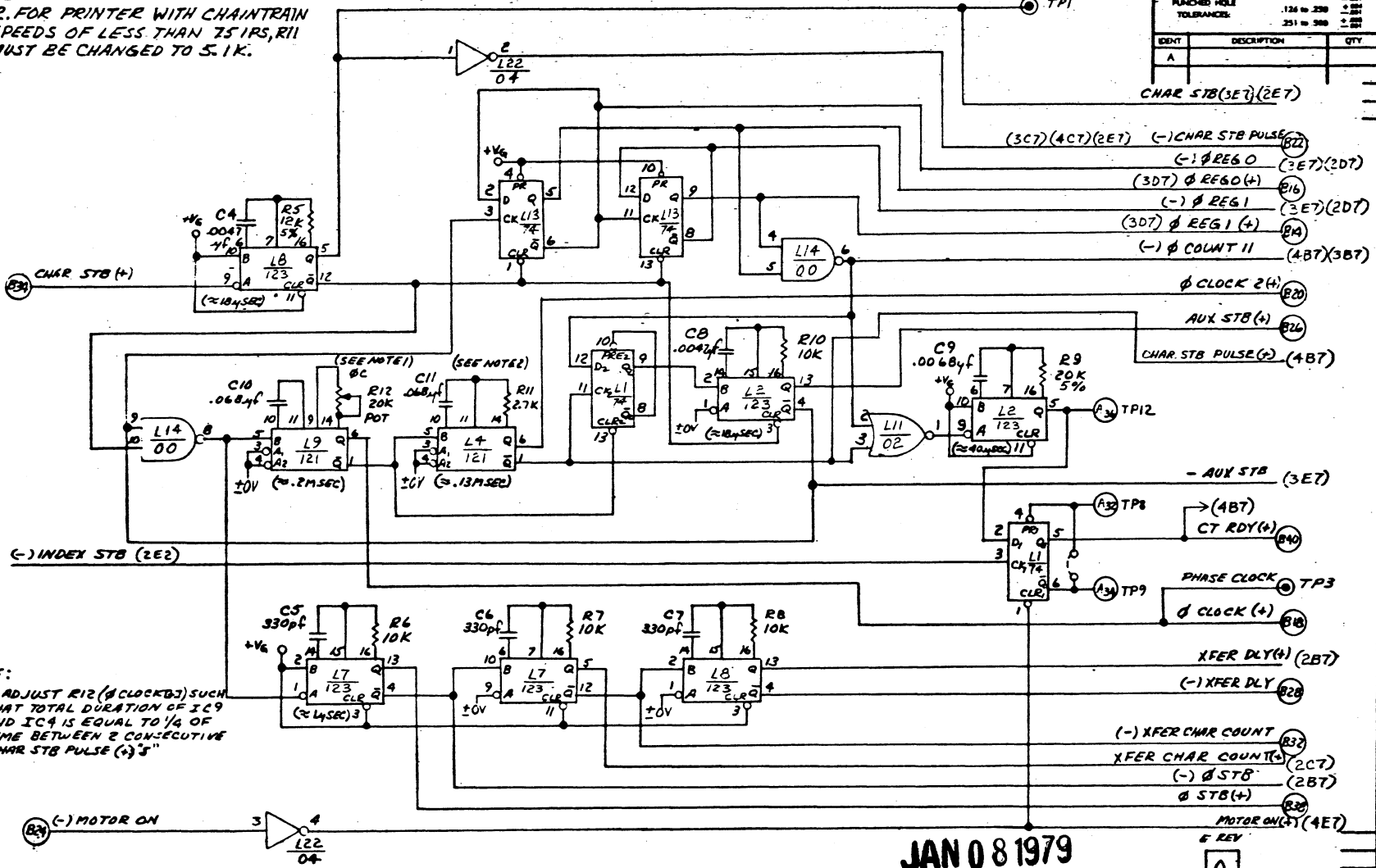
1

DO NOT SCALE

NOTE:  
 2. FOR PRINTER WITH CHAINTRAIN SPEEDS OF LESS THAN 75 IPR, R11 MUST BE CHANGED TO 5.1K.

HOLE LEGEND		
DRILLED OR PUNCHED HOLE	HOLE DIA.	TOL.
	.0125 to .125	±.001
	.126 to .250	±.002
	.251 to .500	±.003

IDENT	DESCRIPTION	QTY
A		



NOTES:  
 1. ADJUST R12 (Ø CLOCK) SUCH THAT TOTAL DURATION OF IC9 AND IC4 IS EQUAL TO 1/4 OF TIME BETWEEN 2 CONSECUTIVE "CHAR STB PULSE (Ø)S"

JAN 08 1979

6 REV 0

REVISION	DATE	BY	CHK
1	9-2-77	B.F.	J.K.
2	9-23-77	J.K.	
3	9-23-77	J.K.	
4	9-23-77	J.K.	
5	9-23-77	J.K.	
6	9-23-77	J.K.	
7	9-23-77	J.K.	
8	9-23-77	J.K.	

WANG PART NO	ITEM	QTY	NAME	MATERIAL	DESCRIPTION
	FIRST USED ON	ASSY USED ON			
			<b>WANG</b> LABORATORIES, INC. TOWERSVILLE, MARYLAND, U.S.A.	BY	DATE
				DWN ED	9-2-77
				CHK	AM ENGR
				E C CONTROL	MFG ENGR
			MODEL NO	TITLE (C1002) SHT 1 OF 4	
			226311	U.S. PRINT TIMING GENERATOR	
			SEE ENG SPECIFICATIONS	210-7385	C 7385 2
			TOL EX AS NOTED	WANG PART NUMBER	SIZE
			XX ± 0.10 FRAC ± 1/64		DRAWING NUMBER
			XXX ± 0.05 ANG ± 1' 30" FINISH 13		REV
			SCALE 7/8	SHT 1 OF 5	

A

A

7

6

5

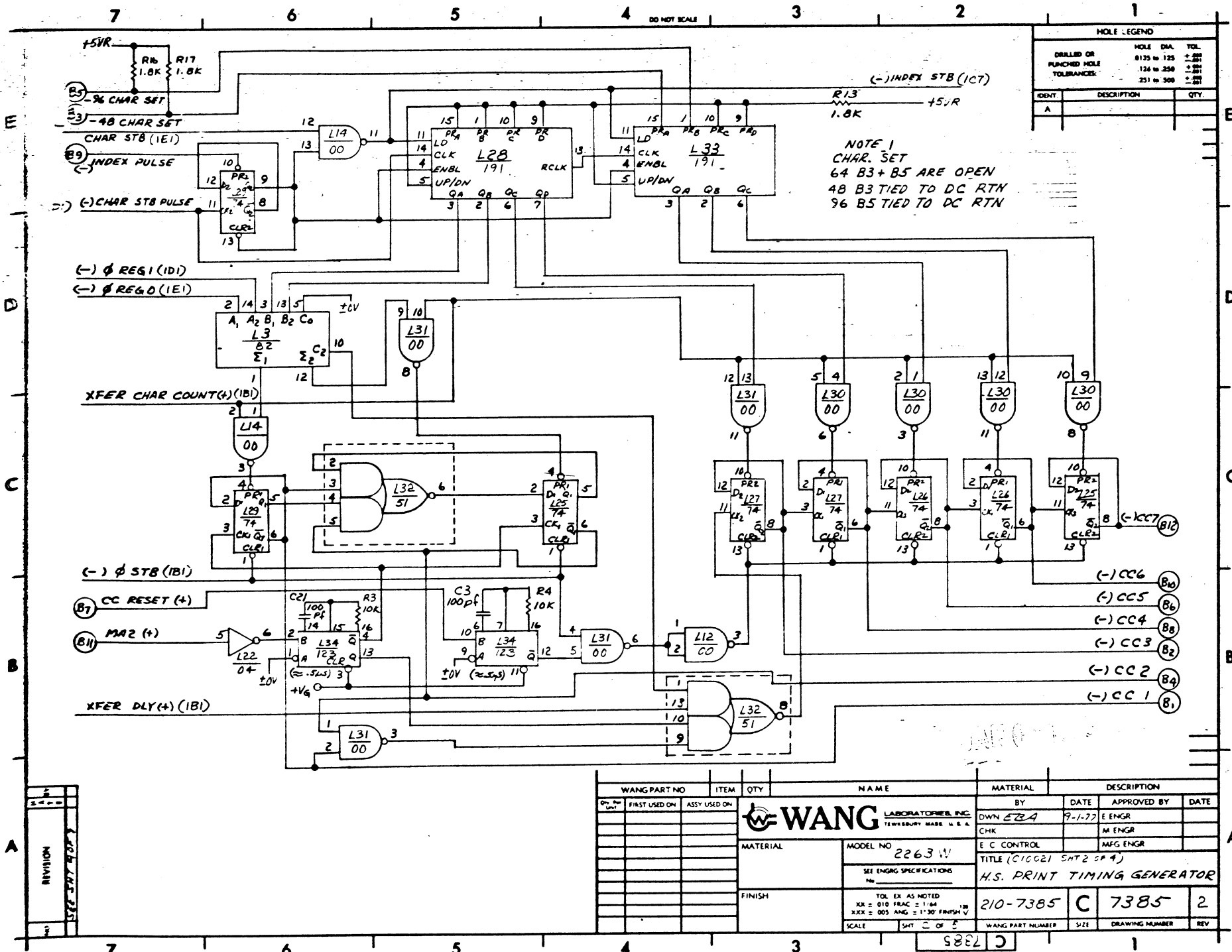
4

3

1

7385 C

582



HOLE LEGEND		
DRILLED OR PUNCHED HOLE	HOLE DIA.	TOL.
	0175 to 125	±.001
	126 to 250	±.002
	251 to 500	±.003
IDENT	DESCRIPTION	QTY.
A		

NOTE 1  
 CHAR. SET  
 64 B3 + B5 ARE OPEN  
 48 B3 TIED TO DC RTN  
 96 B5 TIED TO DC RTN

REV	DATE	DESCRIPTION
1		

WANG PART NO	ITEM	QTY	NAME	MATERIAL	DESCRIPTION
2263 W					
			DATE	APPROVED BY	DATE
			9-1-77	E ENGR	
			CHK	M ENGR	
			E C CONTROL	MFG ENGR	
			TITLE (C10021 SMT2 OF 4)		
			H.S. PRINT TIMING GENERATOR		
			TOL EX AS NOTED	210-7385	C 7385 2
			XX = 010 FRAC = 11.64		
			XXX = 005 ANG = 1.30 FINISH V		
			SCALE	WANG PART NUMBER	SIZE
			SHT 2 OF 5		

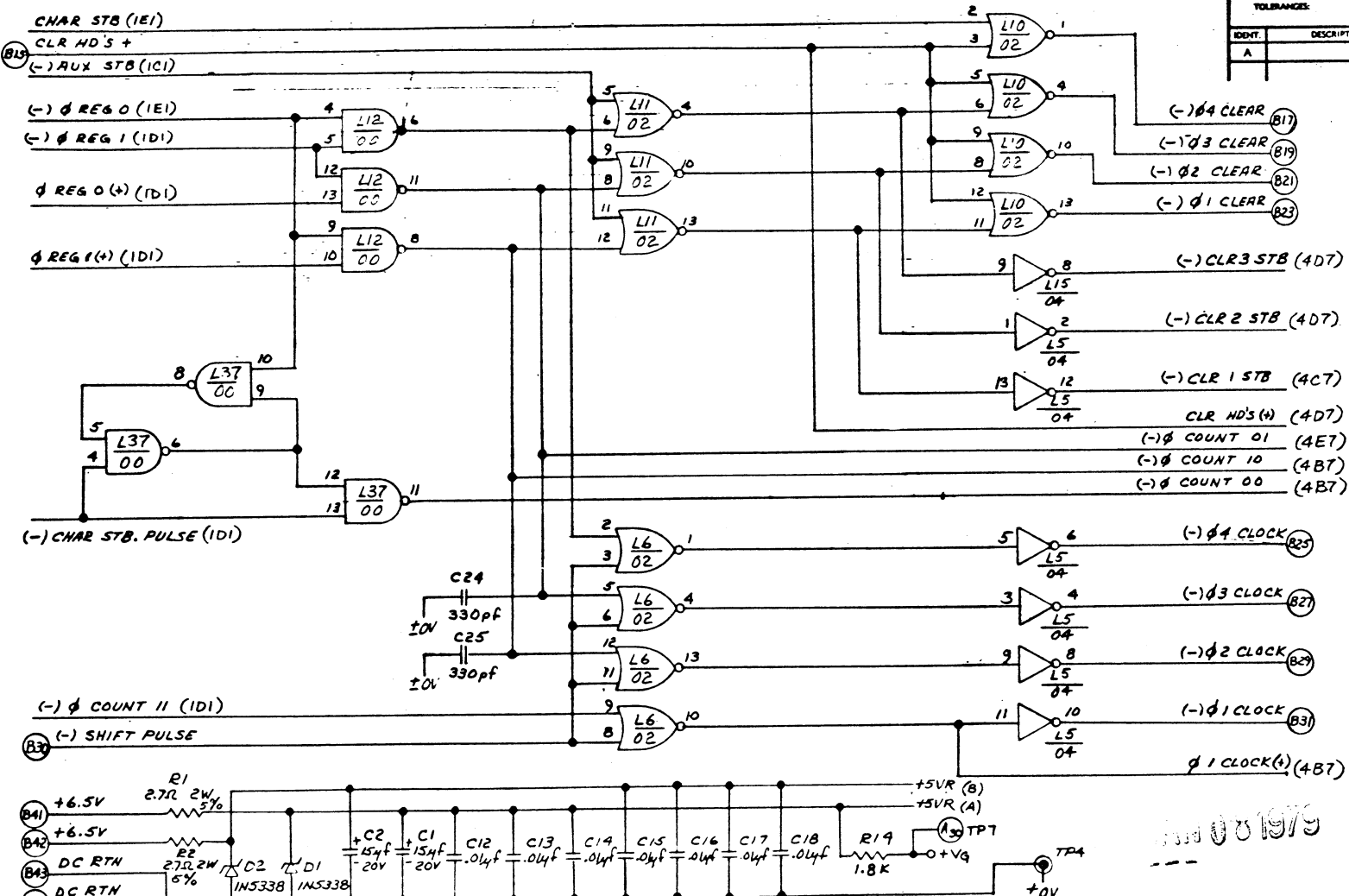
5822 C

DO NOT SCALE

HOLE LEGEND		
DRAILED OR PUNCHED HOLE TOLERANCE:	HOLE DIA.	TOL.
	0.135 to .125	± .001
	.126 to .250	± .001
	.251 to .500	± .001

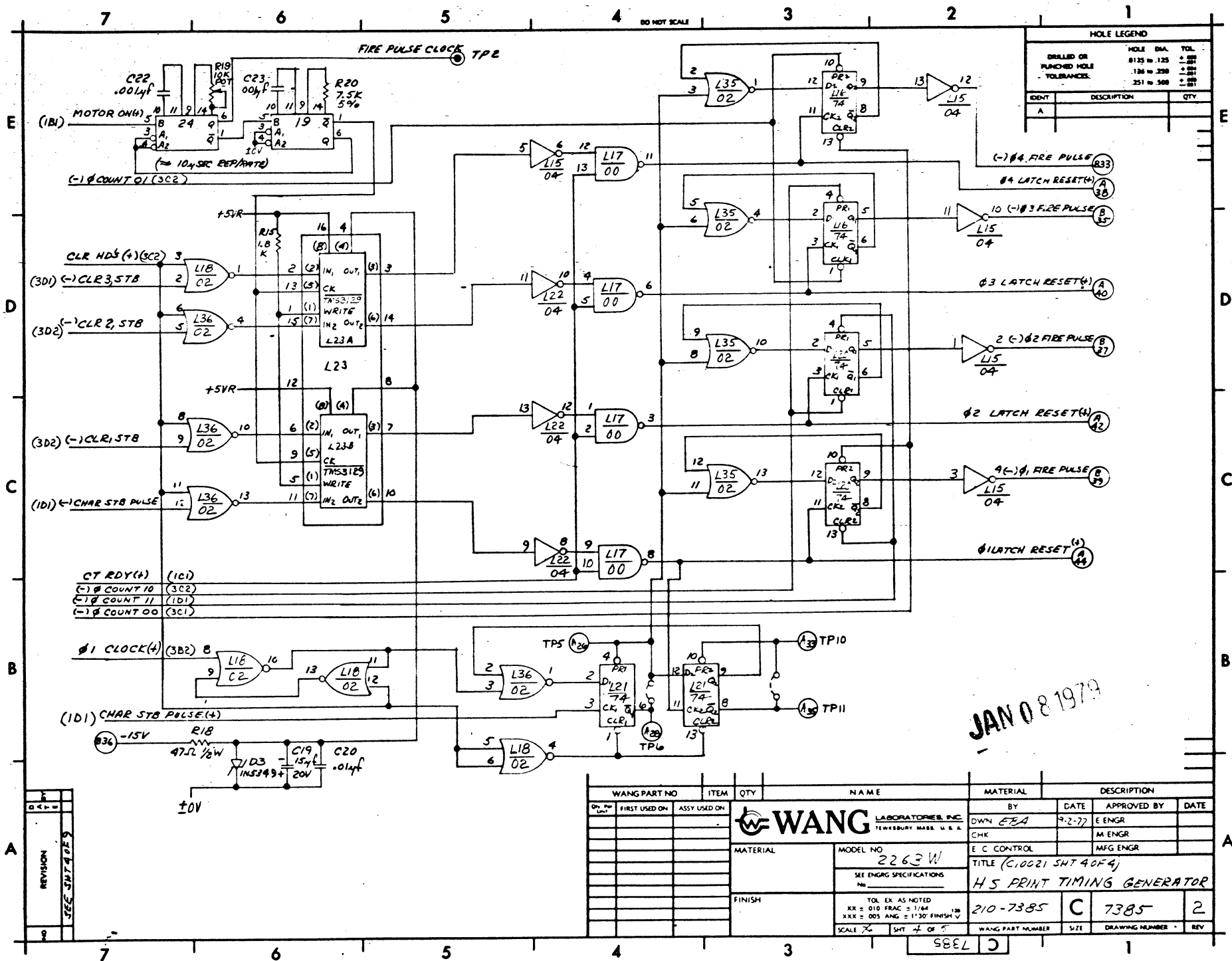
IDENT	DESCRIPTION	QTY
A		



REVISION	DATE
1	SEE SHT 4 OF 5

WANG PART NO	ITEM	QTY	NAME	MATERIAL	DESCRIPTION
Op. Per Unit	FIRST USED ON	ASSY USED ON	<b>WANG</b> LABORATORIES, INC. TEMPERARY WARE, U.S.A. MODEL NO 2263 W SEE ENGR SPECIFICATIONS No. _____ TITLE (C10021 SHT 3 OF 4) H5 PRINT TIMING GENERATOR TOL EX AS NOTED XX ± 0.10 FRAC ± 1.04 XXX ± 0.05 ANG ± 11.30° FINISH 1B SCALE 1/8" SHT 3 OF 5 210-7385 C 7385 2 WANG PART NUMBER SIZE DRAWING NUMBER REV		

282L C



HOLE LEGEND		
	HOLE DIA.	TOL.
DRILLED OR	.0125 to .125	± .001
PLUNGED HOLE	.125 to .250	± .001
TOLERANCES:	.251 to .500	± .001

IDENT	DESCRIPTION	QTY
A		

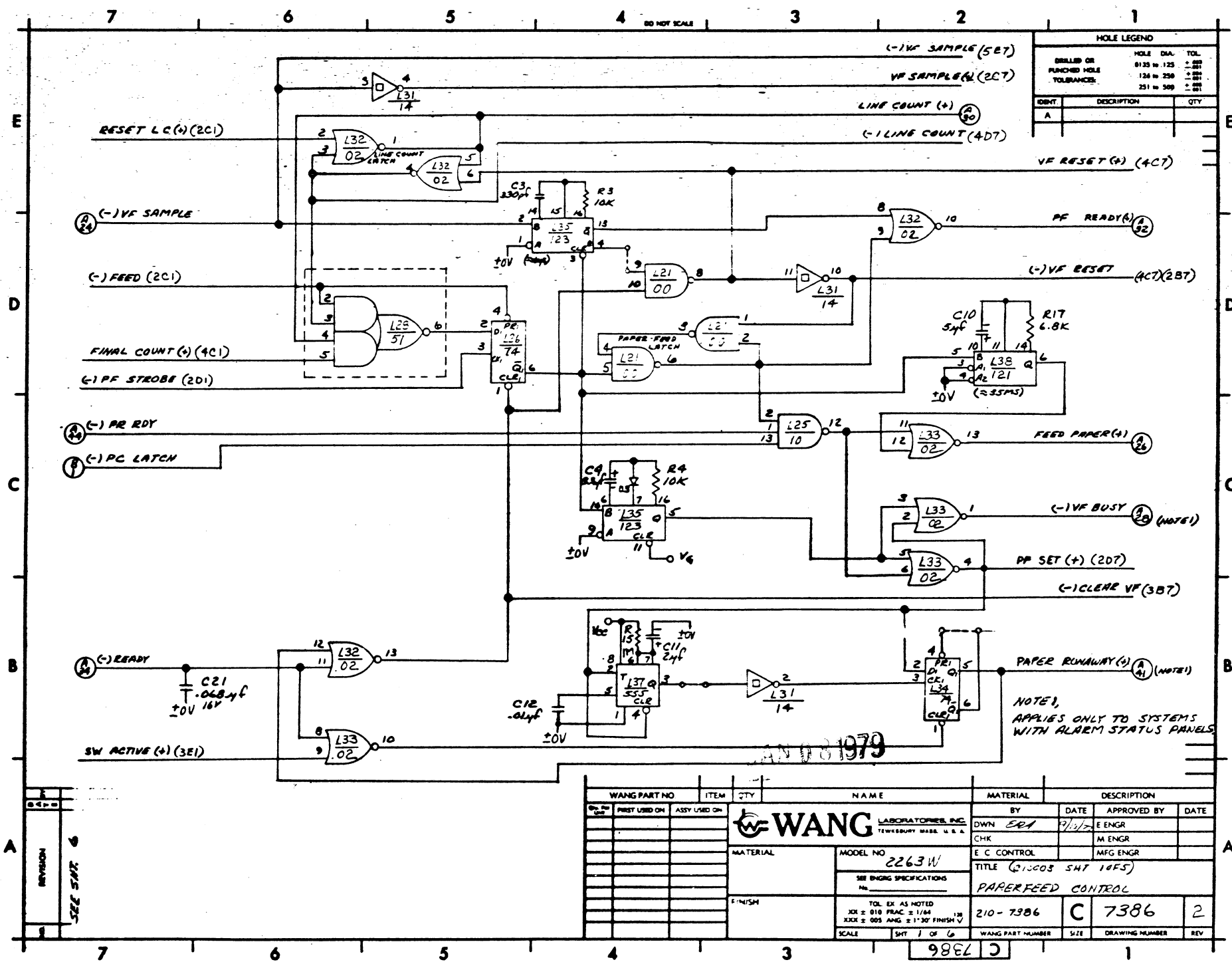
JAN 08 1979

REV	DATE	DESCRIPTION
1		SEE INT. PAGES

WANG PART NO	ITEM	QTY	NAME	MATERIAL	DESCRIPTION
	FIRST USED ON	ASSY USED ON	<b>WANG LABORATORIES, INC.</b> TEBURNEY MASS. U.S.A. MODEL NO. 2263W SEE ENGR SPECIFICATIONS No. _____ TITLE (C10021 SHT 4 OF 4) <b>H5 PRINT TIMING GENERATOR</b>		
	FINISH		TOL EX AS NOTED XX ± 0.10 FRAC ± 1/64 XXX ± 0.05 ANG ± 1'30" FINISH V	210-7385	C 7385
			SCALE %	SHT # OF 5	WANG PART NUMBER SIZE DRAWING NUMBER REV

SBEL C





HOLE LEGEND		
DRILLED OR PUNCHED HOLE	HOLE DIA.	TOL.
TOLERANCES:	125 to 125	+ .005
	126 to 250	+ .010
	251 to 500	+ .015
		+ .020
IDENT	DESCRIPTION	QTY
A		

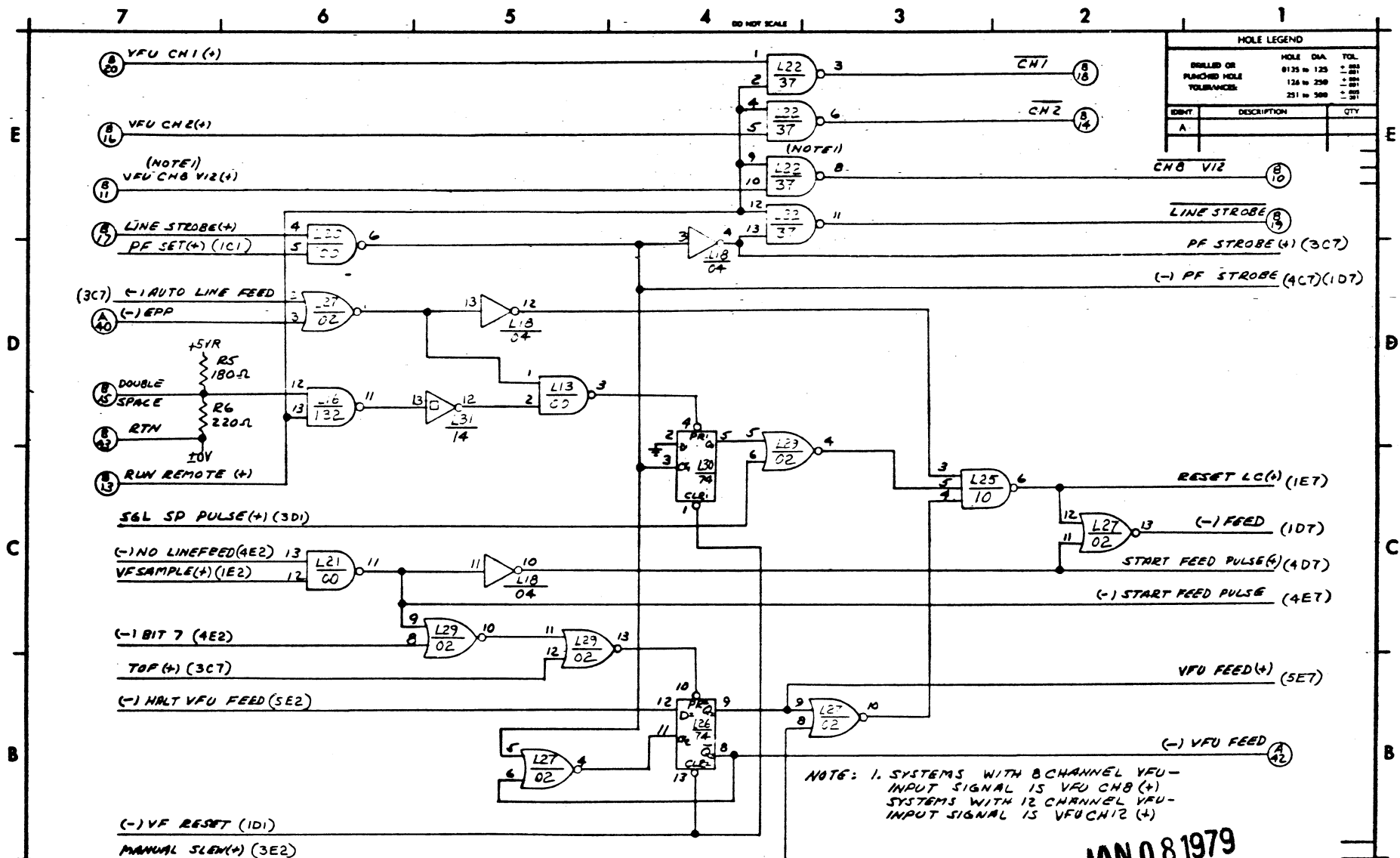
NOTE 1,  
APPLIES ONLY TO SYSTEMS  
WITH ALARM STATUS PANELS

APR 1979

REV	DESCRIPTION
1	SEE SHIP.

WANG PART NO	ITEM	QTY	NAME	MATERIAL	DESCRIPTION
2263W					
FIRST USED ON			DATE		
ASSY USED ON			DATE		
MATERIAL			MODEL NO		
FINISH			SEE ENGR SPECIFICATIONS		
			TITLE		
			TOL. EX. AS NOTED		
			XXX ± 0.10 FRAC ± 1/100		
			XXX ± 0.05 ANG ± 1' 30" FINISH		
			SCALE		
			SHEET 1 OF 6		
			WANG PART NUMBER		
			SIZE		
			DRAWING NUMBER		
			REV		

9827 C 7386



HOLE LEGEND		
DRILLED OR	HOLE DIA.	TOL.
PUNCHED HOLE	0125 to 125	± .01
TOLERANCES:	126 to 250	± .01
	251 to 500	± .01

IDENT	DESCRIPTION	QTY
A		

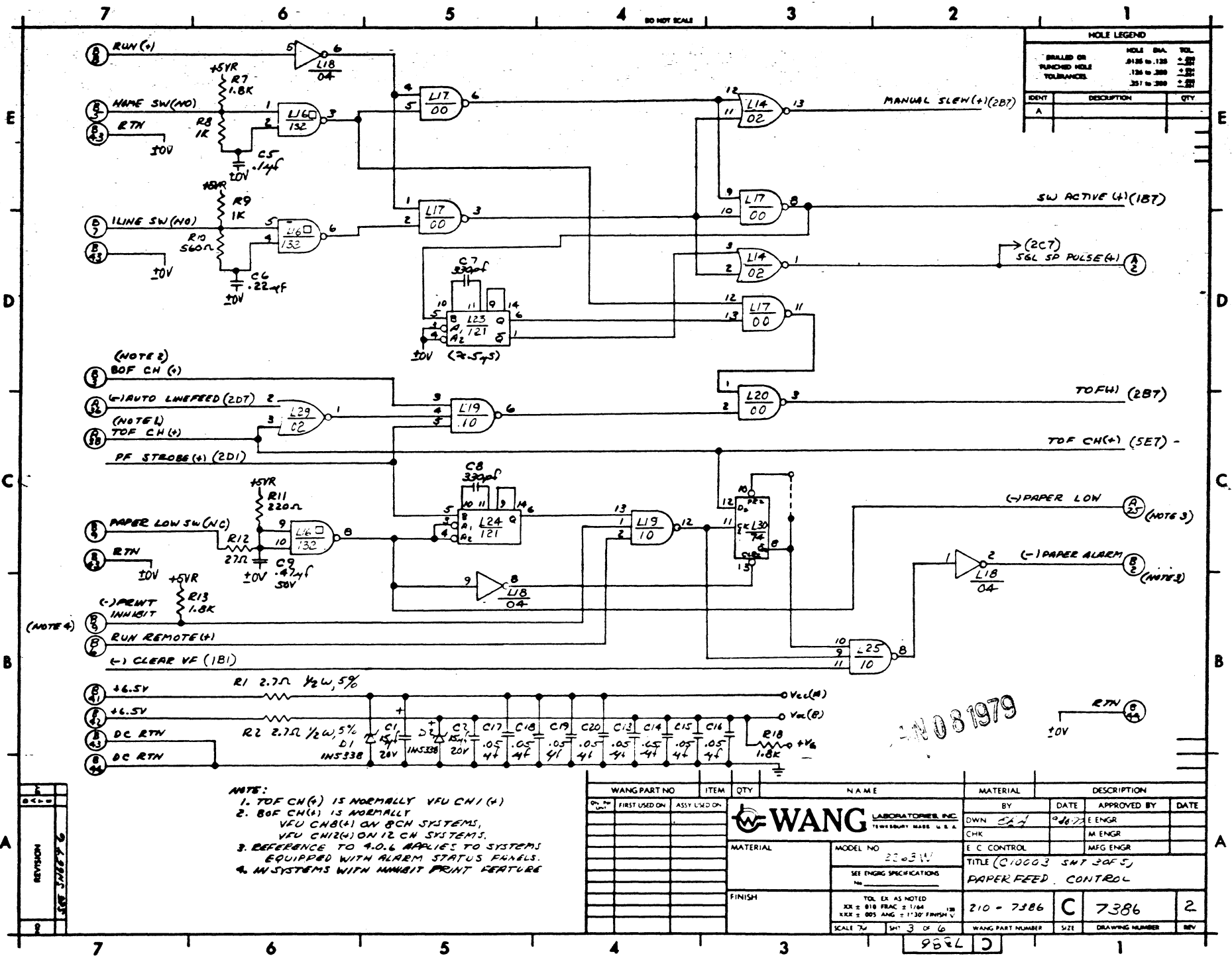
NOTE: 1. SYSTEMS WITH 8 CHANNEL VFU -  
INPUT SIGNAL IS VFU CHB (+)  
SYSTEMS WITH 12 CHANNEL VFU -  
INPUT SIGNAL IS VFU CH12 (+)

JAN 08 1979

REV	DESCRIPTION
1	SEE SHEET 6

WANG PART NO	ITEM	QTY	NAME	MATERIAL	DESCRIPTION
	FIRST USED ON	ASSY USED ON			
			<b>WANG</b> LABORATORIES, INC. TEMPERARY MADE U.S.A.	BY DWN SEA	DATE 1/8/79
			MATERIAL	CHK	APPROVED BY M ENGR
			MODEL NO 2263 W	E C CONTROL	MFG ENGR
			SEE ENG SPECIFICATIONS No	TITLE (C1003 SH2 OF5) PAPERFEED CONTROL	
			FINISH	TOL EX AS NOTED XX ± 0.10 FRAC ± 1/64 XXX ± .005 ANG ± 1'30" FINISH	210-7386 C 7386 2
			SCALE 1/8" = 1"	SHT 2 OF 6	WANG PART NUMBER SIZE DRAWING NUMBER REV

9966 C



HOLE LEGEND		
DRAILED OR	HOLE DIA.	TOL.
PUNCHED HOLE	.015 to .125	±.01
	.125 to .250	±.02
	.251 to .300	±.03
IDENT	DESCRIPTION	QTY
A		

(NOTE 2)  
BOF CH (+)

(-) AUTO LINE FEED (2D7)

(NOTE 1)  
TOF CH (+)

PF STROBE (+) (2D1)

PAPER LOW SW (NC)

RTH

(-) PRENT INHIBIT

RUN REMOTE (+)

(-) CLEAR VF (1B1)

+6.5V

+6.5V

DC RTH

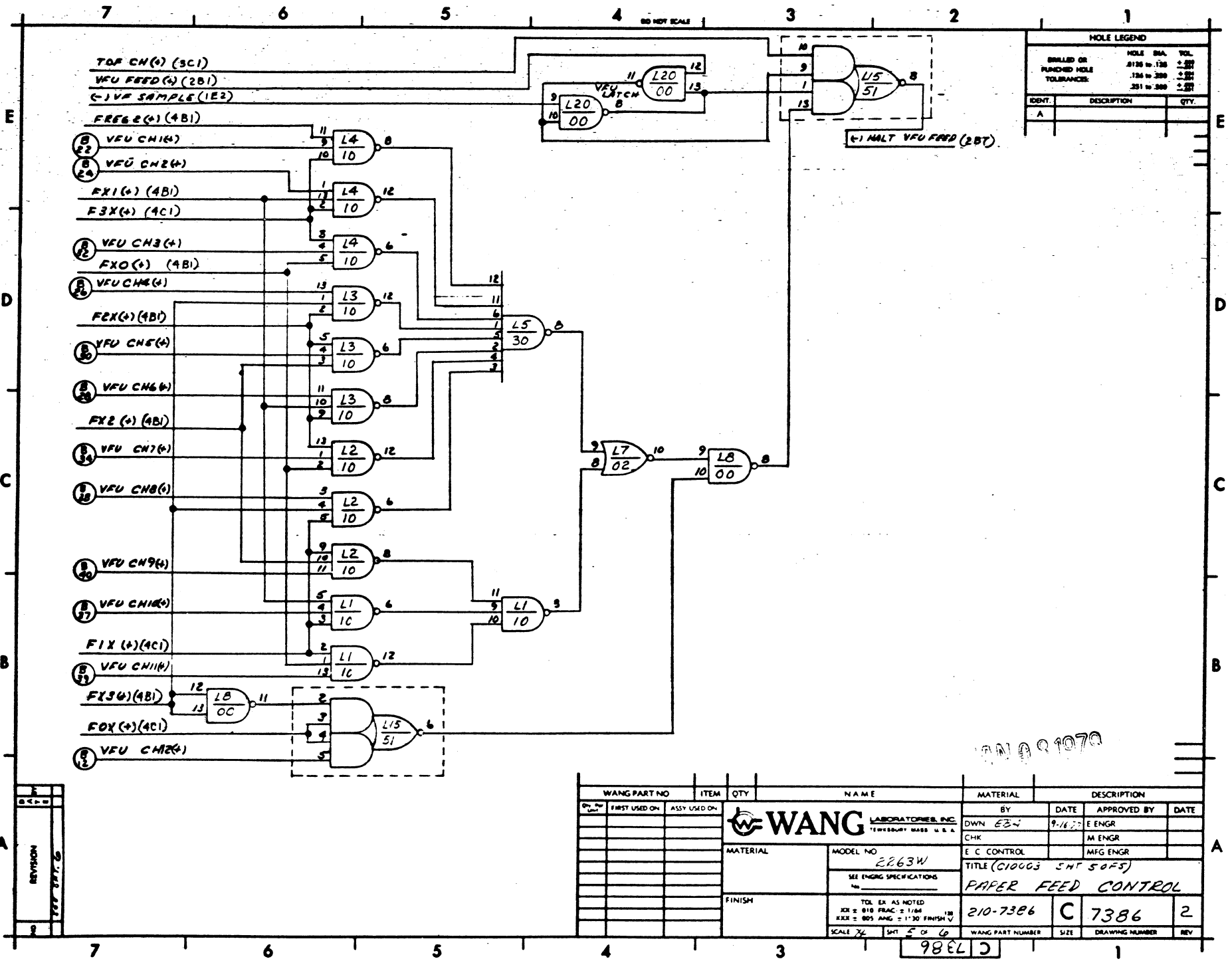
DC RTH

- NOTE:
1. TOF CH (+) IS NORMALLY VFU CH1 (+)
  2. BOF CH (+) IS NORMALLY VFU CH2 (+) ON 8CH SYSTEMS, VFU CH1 (+) ON 12 CH SYSTEMS.
  3. REFERENCE TO 4.0.6 APPLIES TO SYSTEMS EQUIPPED WITH ALARM STATUS PANELS.
  4. IN SYSTEMS WITH INHIBIT PRINT FEATURE

WANG PART NO	ITEM	QTY	NAME	MATERIAL	DESCRIPTION			
OP. NO.	FIRST USED ON	ASSY LIND ON						
MATERIAL			MODEL NO	BY DATE APPROVED BY DATE				
			220311	DWN	08/27	E ENGR		
FINISH			SEE ENGR SPECIFICATIONS	CHK		M ENGR		
			TOL. EX. AS NOTED	E C CONTROL		MFG ENGR		
			XX = 0.10 FIN. 2.1144	TITLE (C10003 SWT 3 OF 5)				
			XXX = 0.05 ANG. 2.1130 FINISH	PAPER FEED CONTROL				
			SCALE 7/8	SHY 3 OF 6	210-7386	C	7386	2
					WANG PART NUMBER	SIZE	DRAWING NUMBER	REV
					982L	C		







REV.	DATE	DESCRIPTION
1		

WANG PART NO.	ITEM	QTY	NAME	MATERIAL	DESCRIPTION
210-7386					

BY	DATE	APPROVED BY	DATE
DWN EBN	9-16-55	E ENGR	
CHK		M ENGR	
E C CONTROL		MFG ENGR	

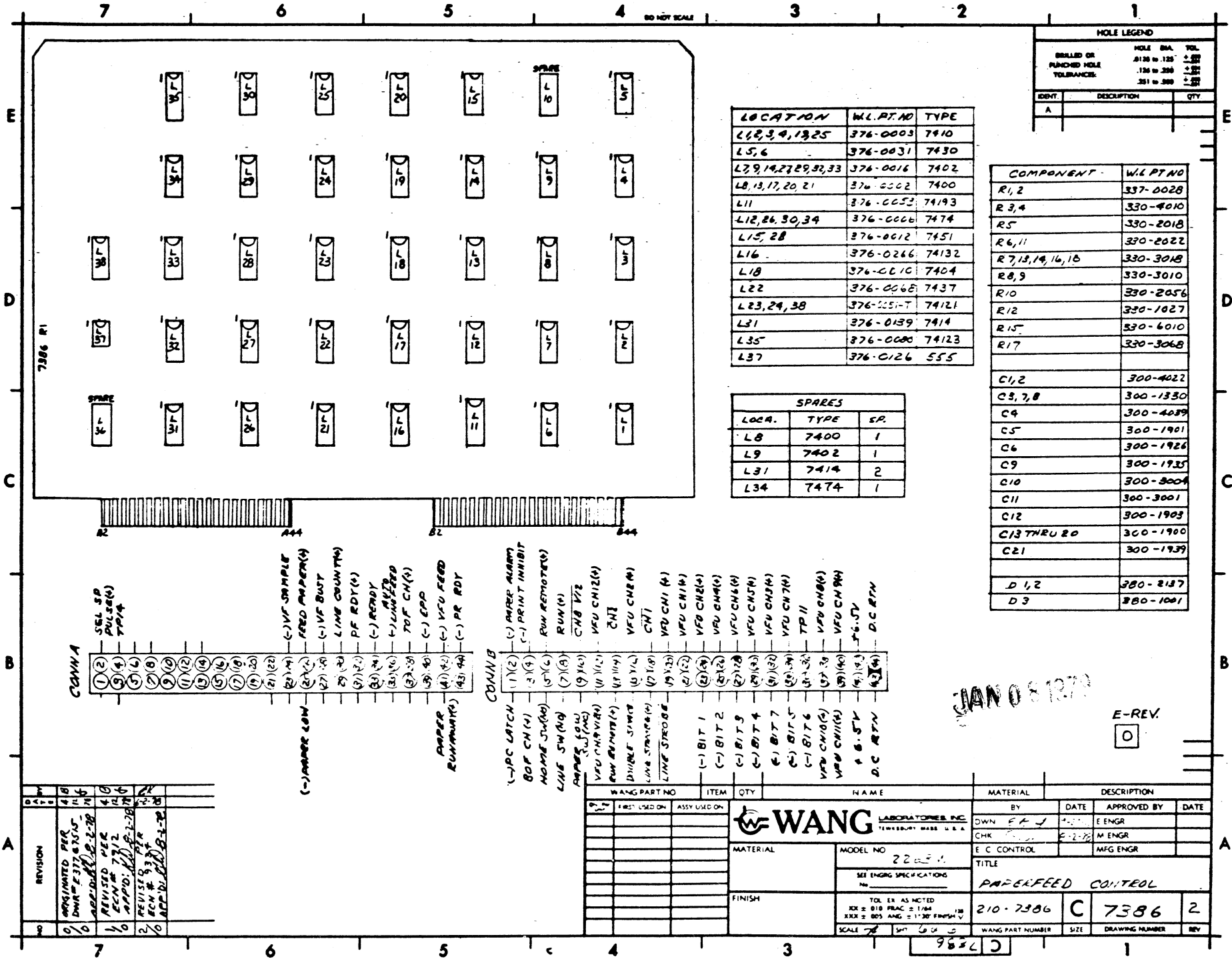
MODEL NO 2263W

SEE ENGR SPECIFICATIONS

TITLE (C10063 SHT 5 OF 5)  
**PAPER FEED CONTROL**

FINISH	TOL EX AS NOTED	SCALE	SHT	OF	NO
	XR ± .010 FRAC: ± 1/64 XXR ± .005 ANG: ± 1° 30' FINISH V	1/8"	5	OF	10

WANG PART NUMBER	SIZE	DRAWING NUMBER	REV
210-7386	C	7386	2



**HOLE LEGEND**

DRILLED OR FINISHED HOLE TOLERANCE:	HOLE DIA.	REL.
	.015 to .125	±.002
	.126 to .250	±.003
	.251 to .500	±.005

IDENT.	DESCRIPTION	QTY
A		

LOCATION	W.L. PT. NO.	TYPE
L18,34,19,25	376-0003	7410
L5,6	376-0031	7430
L7,9,14,27,29,32,33	376-0016	7402
L8,13,17,20,21	376-0002	7400
L11	376-0052	74193
L12,26,30,34	376-0006	7474
L15,28	376-0012	7451
L16	376-0066	74132
L18	376-0010	7404
L22	376-0068	74137
L23,24,38	376-0051-T	74121
L31	376-0139	7414
L35	376-0080	74123
L37	376-0126	555

COMPONENT	W.L. PT. NO.
R1,2	337-0028
R3,4	330-4010
R5	330-2018
R6,11	330-2022
R7,13,14,16,18	330-3018
R8,9	330-3010
R10	330-2056
R12	330-1027
R15	330-6010
R17	330-3068
C1,2	300-4022
C3,7,8	300-1330
C4	300-4039
C5	300-1901
C6	300-1926
C9	300-1935
C10	300-3004
C11	300-3001
C12	300-1903
C13 THRU 20	300-1900
C21	300-1939
D 1,2	380-2137
D3	380-1001

**SPARES**

LOC.	TYPE	SP.
L8	7400	1
L9	7402	1
L31	7414	2
L34	7474	1

- CONN A**
- 1 SEL. SP. PULSER (4)
  - 2 7414
  - 3 7414
  - 4 7414
  - 5 7414
  - 6 7414
  - 7 7414
  - 8 7414
  - 9 7414
  - 10 7414
  - 11 7414
  - 12 7414
  - 13 7414
  - 14 7414
  - 15 7414
  - 16 7414
  - 17 7414
  - 18 7414
  - 19 7414
  - 20 7414
  - 21 7414
  - 22 7414
  - 23 7414
  - 24 7414
  - 25 7414
  - 26 7414
  - 27 7414
  - 28 7414
  - 29 7414
  - 30 7414
  - 31 7414
  - 32 7414
  - 33 7414
  - 34 7414
  - 35 7414
  - 36 7414
  - 37 7414
  - 38 7414
  - 39 7414
  - 40 7414
  - 41 7414
  - 42 7414
  - 43 7414
  - 44 7414
  - 45 7414
  - 46 7414
  - 47 7414
  - 48 7414

- CONN B**
- 1 JPC LATCH
  - 2 PAPER ALARM
  - 3 PRINT INHIBIT
  - 4 PAPER REMOVER
  - 5 RUN (4)
  - 6 RUN (4)
  - 7 RUN (4)
  - 8 CMB V12
  - 9 VFO CH1 (4)
  - 10 CHI
  - 11 VFO CH2 (4)
  - 12 CHI
  - 13 VFO CH3 (4)
  - 14 CHI
  - 15 VFO CH4 (4)
  - 16 CHI
  - 17 VFO CH5 (4)
  - 18 CHI
  - 19 VFO CH6 (4)
  - 20 CHI
  - 21 VFO CH7 (4)
  - 22 CHI
  - 23 TP II
  - 24 VFO CH8 (4)
  - 25 CHI
  - 26 VFO CH9 (4)
  - 27 CHI
  - 28 VFO CH10 (4)
  - 29 CHI
  - 30 VFO CH11 (4)
  - 31 CHI
  - 32 VFO CH12 (4)
  - 33 CHI
  - 34 VFO CH13 (4)
  - 35 CHI
  - 36 VFO CH14 (4)
  - 37 CHI
  - 38 VFO CH15 (4)
  - 39 CHI
  - 40 VFO CH16 (4)
  - 41 CHI
  - 42 VFO CH17 (4)
  - 43 CHI
  - 44 VFO CH18 (4)
  - 45 CHI
  - 46 VFO CH19 (4)
  - 47 CHI
  - 48 VFO CH20 (4)
  - 49 CHI
  - 50 VFO CH21 (4)
  - 51 CHI
  - 52 VFO CH22 (4)
  - 53 CHI
  - 54 VFO CH23 (4)
  - 55 CHI
  - 56 VFO CH24 (4)
  - 57 CHI
  - 58 VFO CH25 (4)
  - 59 CHI
  - 60 VFO CH26 (4)
  - 61 CHI
  - 62 VFO CH27 (4)
  - 63 CHI
  - 64 VFO CH28 (4)
  - 65 CHI
  - 66 VFO CH29 (4)
  - 67 CHI
  - 68 VFO CH30 (4)
  - 69 CHI
  - 70 VFO CH31 (4)
  - 71 CHI
  - 72 VFO CH32 (4)
  - 73 CHI
  - 74 VFO CH33 (4)
  - 75 CHI
  - 76 VFO CH34 (4)
  - 77 CHI
  - 78 VFO CH35 (4)
  - 79 CHI
  - 80 VFO CH36 (4)
  - 81 CHI
  - 82 VFO CH37 (4)
  - 83 CHI
  - 84 VFO CH38 (4)
  - 85 CHI
  - 86 VFO CH39 (4)
  - 87 CHI
  - 88 VFO CH40 (4)
  - 89 CHI
  - 90 VFO CH41 (4)
  - 91 CHI
  - 92 VFO CH42 (4)
  - 93 CHI
  - 94 VFO CH43 (4)
  - 95 CHI
  - 96 VFO CH44 (4)
  - 97 CHI
  - 98 VFO CH45 (4)
  - 99 CHI
  - 100 VFO CH46 (4)
  - 101 CHI
  - 102 VFO CH47 (4)
  - 103 CHI
  - 104 VFO CH48 (4)
  - 105 CHI
  - 106 VFO CH49 (4)
  - 107 CHI
  - 108 VFO CH50 (4)
  - 109 CHI
  - 110 VFO CH51 (4)
  - 111 CHI
  - 112 VFO CH52 (4)
  - 113 CHI
  - 114 VFO CH53 (4)
  - 115 CHI
  - 116 VFO CH54 (4)
  - 117 CHI
  - 118 VFO CH55 (4)
  - 119 CHI
  - 120 VFO CH56 (4)
  - 121 CHI
  - 122 VFO CH57 (4)
  - 123 CHI
  - 124 VFO CH58 (4)
  - 125 CHI
  - 126 VFO CH59 (4)
  - 127 CHI
  - 128 VFO CH60 (4)
  - 129 CHI
  - 130 VFO CH61 (4)
  - 131 CHI
  - 132 VFO CH62 (4)
  - 133 CHI
  - 134 VFO CH63 (4)
  - 135 CHI
  - 136 VFO CH64 (4)
  - 137 CHI
  - 138 VFO CH65 (4)
  - 139 CHI
  - 140 VFO CH66 (4)
  - 141 CHI
  - 142 VFO CH67 (4)
  - 143 CHI
  - 144 VFO CH68 (4)
  - 145 CHI
  - 146 VFO CH69 (4)
  - 147 CHI
  - 148 VFO CH70 (4)
  - 149 CHI
  - 150 VFO CH71 (4)
  - 151 CHI
  - 152 VFO CH72 (4)
  - 153 CHI
  - 154 VFO CH73 (4)
  - 155 CHI
  - 156 VFO CH74 (4)
  - 157 CHI
  - 158 VFO CH75 (4)
  - 159 CHI
  - 160 VFO CH76 (4)
  - 161 CHI
  - 162 VFO CH77 (4)
  - 163 CHI
  - 164 VFO CH78 (4)
  - 165 CHI
  - 166 VFO CH79 (4)
  - 167 CHI
  - 168 VFO CH80 (4)
  - 169 CHI
  - 170 VFO CH81 (4)
  - 171 CHI
  - 172 VFO CH82 (4)
  - 173 CHI
  - 174 VFO CH83 (4)
  - 175 CHI
  - 176 VFO CH84 (4)
  - 177 CHI
  - 178 VFO CH85 (4)
  - 179 CHI
  - 180 VFO CH86 (4)
  - 181 CHI
  - 182 VFO CH87 (4)
  - 183 CHI
  - 184 VFO CH88 (4)
  - 185 CHI
  - 186 VFO CH89 (4)
  - 187 CHI
  - 188 VFO CH90 (4)
  - 189 CHI
  - 190 VFO CH91 (4)
  - 191 CHI
  - 192 VFO CH92 (4)
  - 193 CHI
  - 194 VFO CH93 (4)
  - 195 CHI
  - 196 VFO CH94 (4)
  - 197 CHI
  - 198 VFO CH95 (4)
  - 199 CHI
  - 200 VFO CH96 (4)
  - 201 CHI
  - 202 VFO CH97 (4)
  - 203 CHI
  - 204 VFO CH98 (4)
  - 205 CHI
  - 206 VFO CH99 (4)
  - 207 CHI
  - 208 VFO CH100 (4)
  - 209 CHI
  - 210 VFO CH101 (4)
  - 211 CHI
  - 212 VFO CH102 (4)
  - 213 CHI
  - 214 VFO CH103 (4)
  - 215 CHI
  - 216 VFO CH104 (4)
  - 217 CHI
  - 218 VFO CH105 (4)
  - 219 CHI
  - 220 VFO CH106 (4)
  - 221 CHI
  - 222 VFO CH107 (4)
  - 223 CHI
  - 224 VFO CH108 (4)
  - 225 CHI
  - 226 VFO CH109 (4)
  - 227 CHI
  - 228 VFO CH110 (4)
  - 229 CHI
  - 230 VFO CH111 (4)
  - 231 CHI
  - 232 VFO CH112 (4)
  - 233 CHI
  - 234 VFO CH113 (4)
  - 235 CHI
  - 236 VFO CH114 (4)
  - 237 CHI
  - 238 VFO CH115 (4)
  - 239 CHI
  - 240 VFO CH116 (4)
  - 241 CHI
  - 242 VFO CH117 (4)
  - 243 CHI
  - 244 VFO CH118 (4)
  - 245 CHI
  - 246 VFO CH119 (4)
  - 247 CHI
  - 248 VFO CH120 (4)
  - 249 CHI
  - 250 VFO CH121 (4)
  - 251 CHI
  - 252 VFO CH122 (4)
  - 253 CHI
  - 254 VFO CH123 (4)
  - 255 CHI
  - 256 VFO CH124 (4)
  - 257 CHI
  - 258 VFO CH125 (4)
  - 259 CHI
  - 260 VFO CH126 (4)
  - 261 CHI
  - 262 VFO CH127 (4)
  - 263 CHI
  - 264 VFO CH128 (4)
  - 265 CHI
  - 266 VFO CH129 (4)
  - 267 CHI
  - 268 VFO CH130 (4)
  - 269 CHI
  - 270 VFO CH131 (4)
  - 271 CHI
  - 272 VFO CH132 (4)
  - 273 CHI
  - 274 VFO CH133 (4)
  - 275 CHI
  - 276 VFO CH134 (4)
  - 277 CHI
  - 278 VFO CH135 (4)
  - 279 CHI
  - 280 VFO CH136 (4)
  - 281 CHI
  - 282 VFO CH137 (4)
  - 283 CHI
  - 284 VFO CH138 (4)
  - 285 CHI
  - 286 VFO CH139 (4)
  - 287 CHI
  - 288 VFO CH140 (4)
  - 289 CHI
  - 290 VFO CH141 (4)
  - 291 CHI
  - 292 VFO CH142 (4)
  - 293 CHI
  - 294 VFO CH143 (4)
  - 295 CHI
  - 296 VFO CH144 (4)
  - 297 CHI
  - 298 VFO CH145 (4)
  - 299 CHI
  - 300 VFO CH146 (4)
  - 301 CHI
  - 302 VFO CH147 (4)
  - 303 CHI
  - 304 VFO CH148 (4)
  - 305 CHI
  - 306 VFO CH149 (4)
  - 307 CHI
  - 308 VFO CH150 (4)
  - 309 CHI
  - 310 VFO CH151 (4)
  - 311 CHI
  - 312 VFO CH152 (4)
  - 313 CHI
  - 314 VFO CH153 (4)
  - 315 CHI
  - 316 VFO CH154 (4)
  - 317 CHI
  - 318 VFO CH155 (4)
  - 319 CHI
  - 320 VFO CH156 (4)
  - 321 CHI
  - 322 VFO CH157 (4)
  - 323 CHI
  - 324 VFO CH158 (4)
  - 325 CHI
  - 326 VFO CH159 (4)
  - 327 CHI
  - 328 VFO CH160 (4)
  - 329 CHI
  - 330 VFO CH161 (4)
  - 331 CHI
  - 332 VFO CH162 (4)
  - 333 CHI
  - 334 VFO CH163 (4)
  - 335 CHI
  - 336 VFO CH164 (4)
  - 337 CHI
  - 338 VFO CH165 (4)
  - 339 CHI
  - 340 VFO CH166 (4)
  - 341 CHI
  - 342 VFO CH167 (4)
  - 343 CHI
  - 344 VFO CH168 (4)
  - 345 CHI
  - 346 VFO CH169 (4)
  - 347 CHI
  - 348 VFO CH170 (4)
  - 349 CHI
  - 350 VFO CH171 (4)
  - 351 CHI
  - 352 VFO CH172 (4)
  - 353 CHI
  - 354 VFO CH173 (4)
  - 355 CHI
  - 356 VFO CH174 (4)
  - 357 CHI
  - 358 VFO CH175 (4)
  - 359 CHI
  - 360 VFO CH176 (4)
  - 361 CHI
  - 362 VFO CH177 (4)
  - 363 CHI
  - 364 VFO CH178 (4)
  - 365 CHI
  - 366 VFO CH179 (4)
  - 367 CHI
  - 368 VFO CH180 (4)
  - 369 CHI
  - 370 VFO CH181 (4)
  - 371 CHI
  - 372 VFO CH182 (4)
  - 373 CHI
  - 374 VFO CH183 (4)
  - 375 CHI
  - 376 VFO CH184 (4)
  - 377 CHI
  - 378 VFO CH185 (4)
  - 379 CHI
  - 380 VFO CH186 (4)
  - 381 CHI
  - 382 VFO CH187 (4)
  - 383 CHI
  - 384 VFO CH188 (4)
  - 385 CHI
  - 386 VFO CH189 (4)
  - 387 CHI
  - 388 VFO CH190 (4)
  - 389 CHI
  - 390 VFO CH191 (4)
  - 391 CHI
  - 392 VFO CH192 (4)
  - 393 CHI
  - 394 VFO CH193 (4)
  - 395 CHI
  - 396 VFO CH194 (4)
  - 397 CHI
  - 398 VFO CH195 (4)
  - 399 CHI
  - 400 VFO CH196 (4)
  - 401 CHI
  - 402 VFO CH197 (4)
  - 403 CHI
  - 404 VFO CH198 (4)
  - 405 CHI
  - 406 VFO CH199 (4)
  - 407 CHI
  - 408 VFO CH200 (4)
  - 409 CHI
  - 410 VFO CH201 (4)
  - 411 CHI
  - 412 VFO CH202 (4)
  - 413 CHI
  - 414 VFO CH203 (4)
  - 415 CHI
  - 416 VFO CH204 (4)
  - 417 CHI
  - 418 VFO CH205 (4)
  - 419 CHI
  - 420 VFO CH206 (4)
  - 421 CHI
  - 422 VFO CH207 (4)
  - 423 CHI
  - 424 VFO CH208 (4)
  - 425 CHI
  - 426 VFO CH209 (4)
  - 427 CHI
  - 428 VFO CH210 (4)
  - 429 CHI
  - 430 VFO CH211 (4)
  - 431 CHI
  - 432 VFO CH212 (4)
  - 433 CHI
  - 434 VFO CH213 (4)
  - 435 CHI
  - 436 VFO CH214 (4)
  - 437 CHI
  - 438 VFO CH215 (4)
  - 439 CHI
  - 440 VFO CH216 (4)
  - 441 CHI
  - 442 VFO CH217 (4)
  - 443 CHI
  - 444 VFO CH218 (4)
  - 445 CHI
  - 446 VFO CH219 (4)
  - 447 CHI
  - 448 VFO CH220 (4)
  - 449 CHI
  - 450 VFO CH221 (4)
  - 451 CHI
  - 452 VFO CH222 (4)
  - 453 CHI
  - 454 VFO CH223 (4)
  - 455 CHI
  - 456 VFO CH224 (4)
  - 457 CHI
  - 458 VFO CH225 (4)
  - 459 CHI
  - 460 VFO CH226 (4)
  - 461 CHI
  - 462 VFO CH227 (4)
  - 463 CHI
  - 464 VFO CH228 (4)
  - 465 CHI
  - 466 VFO CH229 (4)
  - 467 CHI
  - 468 VFO CH230 (4)
  - 469 CHI
  - 470 VFO CH231 (4)
  - 471 CHI
  - 472 VFO CH232 (4)
  - 473 CHI
  - 474 VFO CH233 (4)
  - 475 CHI
  - 476 VFO CH234 (4)
  - 477 CHI
  - 478 VFO CH235 (4)
  - 479 CHI
  - 480 VFO CH236 (4)
  - 481 CHI
  - 482 VFO CH237 (4)
  - 483 CHI
  - 484 VFO CH238 (4)
  - 485 CHI
  - 486 VFO CH239 (4)
  - 487 CHI
  - 488 VFO CH240 (4)
  - 489 CHI
  - 490 VFO CH241 (4)
  - 491 CHI
  - 492 VFO CH242 (4)
  - 493 CHI
  - 494 VFO CH243 (4)
  - 495 CHI
  - 496 VFO CH244 (4)
  - 497 CHI
  - 498 VFO CH245 (4)
  - 499 CHI
  - 500 VFO CH246 (4)
  - 501 CHI
  - 502 VFO CH247 (4)
  - 503 CHI
  - 504 VFO CH248 (4)
  - 505 CHI
  - 506 VFO CH249 (4)
  - 507 CHI
  - 508 VFO CH250 (4)
  - 509 CHI
  - 510 VFO CH251 (4)
  - 511 CHI
  - 512 VFO CH252 (4)
  - 513 CHI
  - 514 VFO CH253 (4)
  - 515 CHI
  - 516 VFO CH254 (4)
  - 517 CHI
  - 518 VFO CH255 (4)
  - 519 CHI
  - 520 VFO CH256 (4)
  - 521 CHI
  - 522 VFO CH257 (4)
  - 523 CHI
  - 524 VFO CH258 (4)
  - 525 CHI
  - 526 VFO CH259 (4)
  - 527 CHI
  - 528 VFO CH260 (4)
  - 529 CHI
  - 530 VFO CH261 (4)
  - 531 CHI
  - 532 VFO CH262 (4)
  - 533 CHI
  - 534 VFO CH263 (4)
  - 535 CHI
  - 536 VFO CH264 (4)
  - 537 CHI
  - 538 VFO CH265 (4)
  - 539 CHI
  - 540 VFO CH266 (4)
  - 541 CHI
  - 542 VFO CH267 (4)
  - 543 CHI
  - 544 VFO CH268 (4)
  - 545 CHI
  - 546 VFO CH269 (4)
  - 547 CHI
  - 548 VFO CH270 (4)
  - 549 CHI
  - 550 VFO CH271 (4)
  - 551 CHI
  - 552 VFO CH272 (4)
  - 553 CHI
  - 554 VFO CH273 (4)
  - 555 CHI
  - 556 VFO CH274 (4)
  - 557 CHI
  - 558 VFO CH275 (4)
  - 559 CHI
  - 560 VFO CH276 (4)
  - 561 CHI
  - 562 VFO CH277 (4)
  - 563 CHI
  - 564 VFO CH278 (4)
  - 565 CHI
  - 566 VFO CH279 (4)
  - 567 CHI
  - 568 VFO CH280 (4)
  - 569 CHI
  - 570 VFO CH281 (4)
  - 571 CHI
  - 572 VFO CH282 (4)
  - 573 CHI
  - 574 VFO CH283 (4)
  - 575 CHI
  - 576 VFO CH284 (4)
  - 577 CHI
  - 578 VFO CH285 (4)
  - 579 CHI
  - 580 VFO CH286 (4)
  - 581 CHI
  - 582 VFO CH287 (4)
  - 583 CHI
  - 584 VFO CH288 (4)
  - 585 CHI
  - 586 VFO CH289 (4)
  - 587 CHI
  - 588 VFO CH290 (4)
  - 589 CHI
  - 590 VFO CH291 (4)
  - 591 CHI
  - 592 VFO CH292 (4)
  - 593 CHI
  - 594 VFO CH293 (4)
  - 595 CHI
  - 596 VFO CH294 (4)
  - 597 CHI
  - 598 VFO CH295 (4)
  - 599 CHI
  - 600 VFO CH296 (4)
  - 601 CHI
  - 602 VFO CH297 (4)
  - 603 CHI
  - 604 VFO CH298 (4)
  - 605 CHI
  - 606 VFO CH299 (4)
  - 607 CHI
  - 608 VFO CH300 (4)
  - 609 CHI
  - 610 VFO CH301 (4)
  - 611 CHI
  - 612 VFO CH302 (4)
  - 613 CHI
  - 614 VFO CH303 (4)
  - 615 CHI
  - 616 VFO CH304 (4)
  - 617 CHI
  - 618 VFO CH305 (4)
  - 619 CHI
  - 620 VFO CH306 (4)
  - 621 CHI
  - 622 VFO CH307 (4)
  - 623 CHI
  - 624 VFO CH308 (4)
  - 625 CHI
  - 626 VFO CH309 (4)
  - 627 CHI
  - 628 VFO CH310 (4)
  - 629 CHI
  - 630 VFO CH311 (4)
  - 631 CHI
  - 632 VFO CH312 (4)
  - 633 CHI
  - 634 VFO CH313 (4)
  - 635 CHI
  - 636 VFO CH314 (4)
  - 637 CHI
  - 638 VFO CH315 (4)
  - 639 CHI
  - 640 VFO CH316 (4)
  - 641 CHI
  - 642 VFO CH317 (4)
  - 643 CHI
  - 644 VFO CH318 (4)
  - 645 CHI
  - 646 VFO CH319 (4)
  - 647 CHI
  - 648 VFO CH320 (4)
  - 649 CHI
  - 650 VFO CH321 (4)
  - 651 CHI
  - 652 VFO CH322 (4)
  - 653 CHI
  - 654 VFO CH323 (4)
  - 655 CHI
  - 656 VFO CH324 (4)
  - 657 CHI
  - 658 VFO CH325 (4)
  - 659 CHI
  - 660 VFO CH326 (4)
  - 661 CHI
  - 662 VFO CH327 (4)
  - 663 CHI
  - 664 VFO CH328 (4)
  - 665 CHI
  - 666 VFO CH329 (4)
  - 667 CHI
  - 668 VFO CH330 (4)
  - 669 CHI
  - 670 VFO CH331 (4)
  - 671 CHI
  - 672 VFO CH332 (4)
  - 673 CHI
  - 674 VFO CH333 (4)
  - 675 CHI
  - 676 VFO CH334 (4)
  - 677 CHI
  - 678 VFO CH335 (4)
  - 679 CHI
  - 680 VFO CH336 (4)
  - 681 CHI
  - 682 VFO CH337 (4)
  - 683 CHI
  - 684 VFO CH338 (4)
  - 685 CHI
  - 686 VFO CH339 (4)
  - 687 CHI
  - 688 VFO CH340 (4)
  - 689 CHI
  - 690 VFO CH341 (4)
  - 691 CHI
  - 692 VFO CH342 (4)
  - 693 CHI
  - 694 VFO CH343 (4)
  - 695 CHI
  - 696 VFO CH344 (4)
  - 697 CHI
  - 698 VFO CH345 (4)
  - 699 CHI
  - 700 VFO CH346 (4)
  - 701 CHI
  - 702 VFO CH347 (4)
  - 703 CHI
  - 704 VFO CH348 (4)
  - 705 CHI
  - 706 VFO CH349 (4)
  - 707 CHI
  - 708 VFO CH350 (4)
  - 709 CHI
  - 710 VFO CH351 (4)
  - 711 CHI
  - 712 VFO CH352 (4)
  - 713 CHI
  - 714 VFO CH353 (4)
  - 715 CHI
  - 716 VFO CH354 (4)
  - 717 CHI
  - 718 VFO CH355 (4)
  - 719 CHI
  - 720 VFO CH356 (4)
  - 721 CHI
  - 722 VFO CH357 (4)
  - 723 CHI
  - 724 VFO CH358 (4)
  - 725 CHI
  - 726 VFO CH359 (4)
  - 727 CHI
  - 728 VFO CH360 (4)
  - 729 CHI
  - 730 VFO CH361 (4)
  - 731 CHI
  - 732 VFO CH362 (4)
  - 733 CHI
  - 734 VFO CH363 (4)
  - 735 CHI
  - 736 VFO CH364 (4)
  - 737 CHI

7

6

5

4

DO NOT SCALE

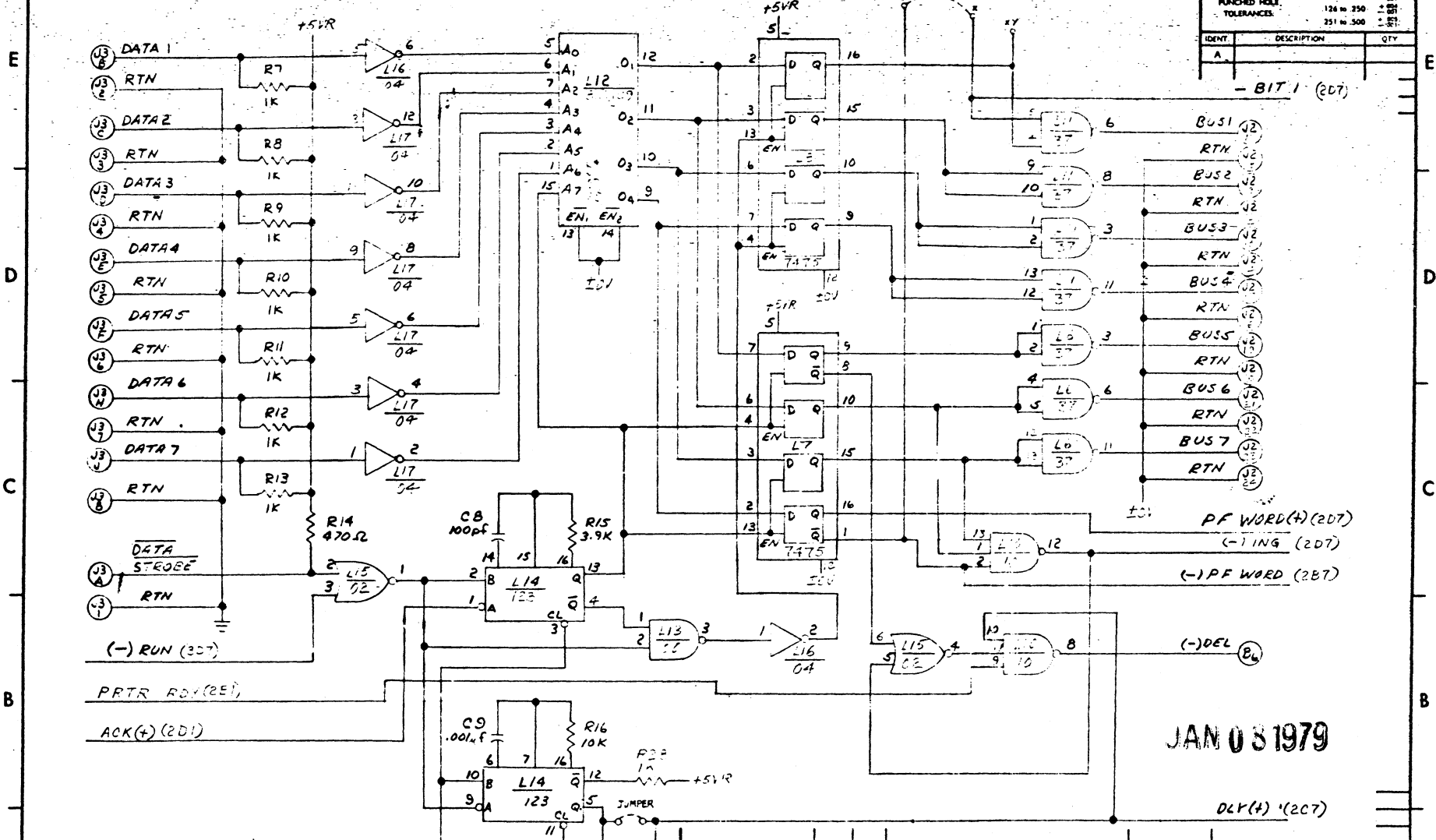
3

2

1

HOLE LEGEND		
DRILLED OR PUNCHED HOLE TOLERANCES:	HOLE DIA. - 0.135 to 125 + 0.015 to 250 - 0.015 to 500	TOL. ± 0.015 ± 0.015 ± 0.015
IDENT	DESCRIPTION	QTY
A		

- BIT 1 (207)



JAN 08 1979

DLV (+) (207)

REV	DATE	BY	DESCRIPTION
0	10-27-77	WJ	REVISED PER
1	11-15-77	WJ	REVISED PER
2	11-15-77	WJ	REVISED PER
3	11-15-77	WJ	REVISED PER
4	11-15-77	WJ	REVISED PER
5	11-15-77	WJ	REVISED PER
6	11-15-77	WJ	REVISED PER
7	11-15-77	WJ	REVISED PER
8	11-15-77	WJ	REVISED PER
9	11-15-77	WJ	REVISED PER
10	11-15-77	WJ	REVISED PER
11	11-15-77	WJ	REVISED PER
12	11-15-77	WJ	REVISED PER
13	11-15-77	WJ	REVISED PER
14	11-15-77	WJ	REVISED PER
15	11-15-77	WJ	REVISED PER
16	11-15-77	WJ	REVISED PER
17	11-15-77	WJ	REVISED PER
18	11-15-77	WJ	REVISED PER
19	11-15-77	WJ	REVISED PER
20	11-15-77	WJ	REVISED PER
21	11-15-77	WJ	REVISED PER
22	11-15-77	WJ	REVISED PER
23	11-15-77	WJ	REVISED PER
24	11-15-77	WJ	REVISED PER
25	11-15-77	WJ	REVISED PER
26	11-15-77	WJ	REVISED PER
27	11-15-77	WJ	REVISED PER
28	11-15-77	WJ	REVISED PER
29	11-15-77	WJ	REVISED PER
30	11-15-77	WJ	REVISED PER

WANG PART NO	ITEM	QTY	NAME	MATERIAL	DESCRIPTION
01	FIRST USED ON				
02	ASSEMBLED ON				
			<b>WANG LABORATORIES, INC.</b>	BY	DATE
			MODEL NO. 2263 W	CHK	APPROVED BY
			SEE ENG. SPECIFICATIONS	E C CONTROL	DATE
			FINISH	TITLE	
				D52-INTX, I O ADAPTER	
			TO: EN ASSIGNED	210-7387	C 7387
			XX: 010 1RA2 - 1 64		
			XXX: 005 AN2 - 1 30 FINISH		
			SEA: 5	WANG PART NUMBER	REV

1572 0

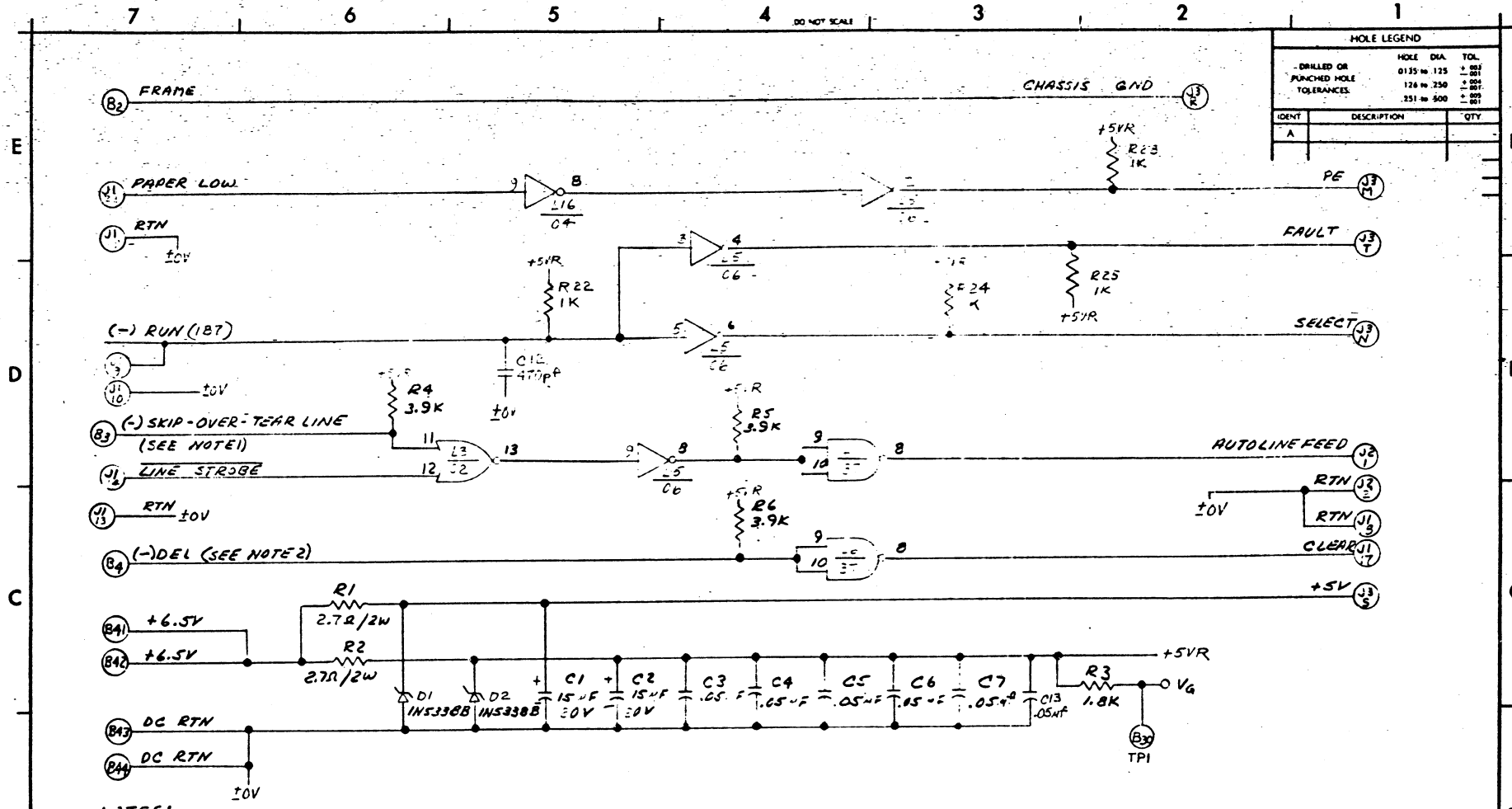
1



DO NOT SCALE

HOLE LEGEND		
	HOLE DIA.	TOL.
DRILLED OR PUNCHED HOLE	0135 IN. 125	+ .001
TOLERANCES	126 IN. 250	+ .001
	251 IN. 500	+ .001

IDENT	DESCRIPTION	QTY
A		



NOTES:  
 1. FOR SKIP OVERTEAR LINE OPTION  
 JUMPER 2-B3 TO 2-B44 ON MOTHER BOARD.  
 2. FOR BUFFER CLEAR ON RECEPTION OF  
 ASCII DEL, ADD JUMPER 2-B6 TO 2-B4 ON  
 MOTHER BOARD. RE MOVE 4-B2 TO 4-B44

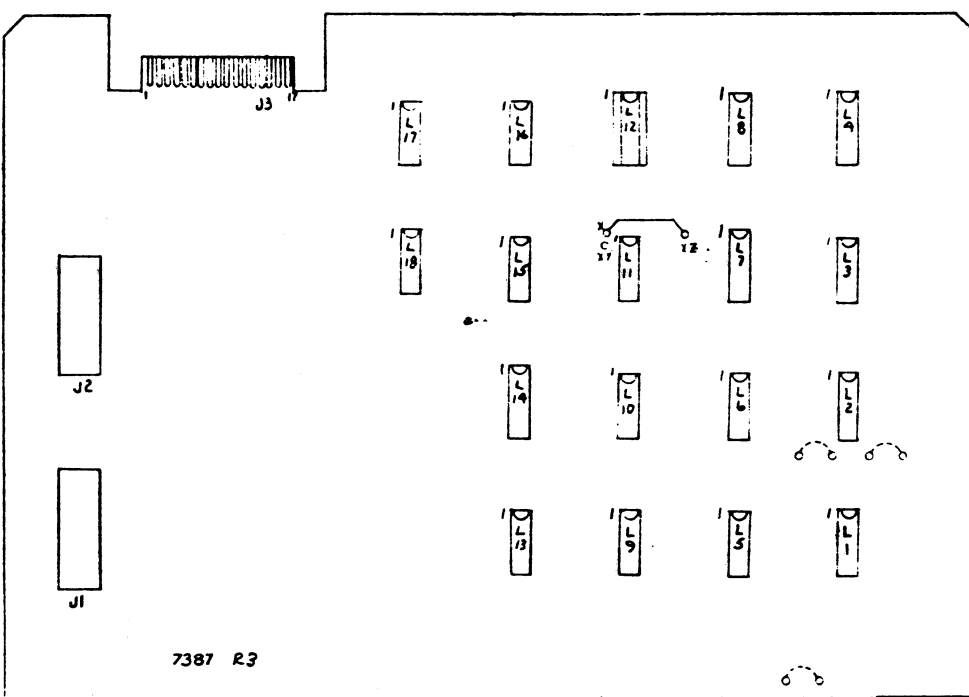
JAN 08 1973

REVISION	DATE
1	SEE INT 9 OF 7

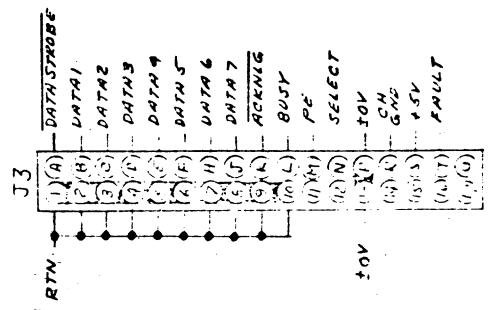
WANG PART NO.	ITEM	QTY	NAME	MATERIAL	DESCRIPTION
				BY	DATE
				DATE	APPROVED BY
			MODEL NO.		
			SEE ENGR SPECIFICATIONS		
			TITLE		
			TOL EX AS NOTED		
			XX = 010 FRAC = 1/64		
			XXX = 003 ANG = 1/30 FINISH		
			SCALE	SHT	OF
			WANG PART NUMBER	SIZE	DRAWING NUMBER

257 C

DO NOT SCALE



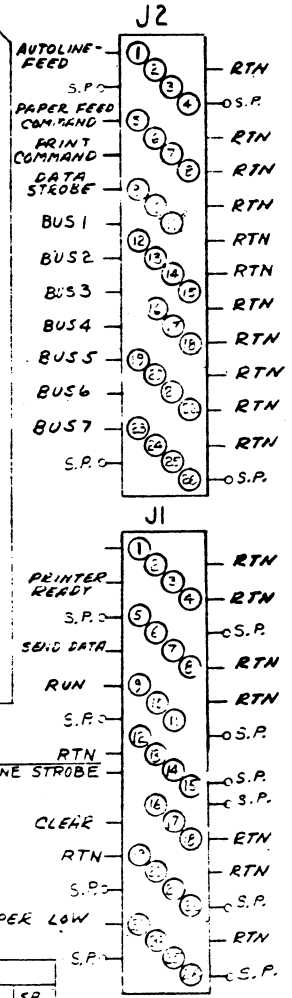
7387 R3



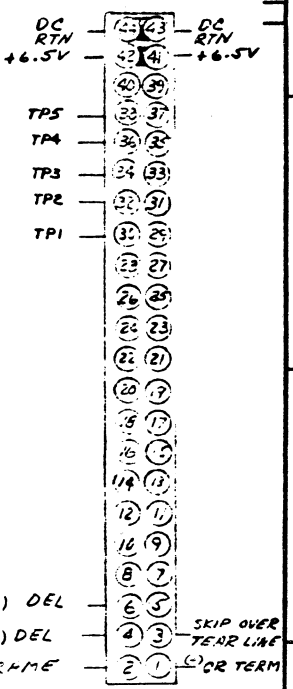
COMPONENT	W.L. PT. NO.
R1	337-0057
R2	337-0026
R3	336-30.8
R4, 5, 6, 15, 17	320-3029
R7-13, 20-22	330-300
R14	335-2047
R16-8	32-400
R19	37-3253
C2	306-0022
C3-7, 8	303-900
C8	322-100
C9-12	321-926
D2	325-213
U1, 2	325-213
L12	376-1524

LEAD	TYPE	SP
216	7404	1
47	7402	1
100	7402	2

LOCATION	W.L. PT. NO.	QTY	GRD.
L1, 6, 11	376-0066	4	7
L2, 5	376-0006	6	7
L3, 15	376-0012	14	7
L4, 14	376-0050	6	2
L5	376-0055	14	7
L7, 8	376-0013	5	12
L10	376-0003	14	7
L12	37-335	16	8
L13, 18	376-0002	14	7
L16, 17	376-0010	14	7



HOLE LEGEND		
DRIILLED OR PUNCHED HOLE TOLERANCES:	HOLE DIA.	TOL.
	0125 to 125	±.002
	126 to 250	±.003
	251 to 500	±.005



JAN 08 1979

REV.	REVISION	DATE	BY	APP.	QTY	NAME	MATERIAL	DESCRIPTION
1								

WANG LABORATORIES INC. TEMPE, ARIZ. U.S.A.		DATE		APPROVED BY		DATE	
MATERIAL		MODEL NO. 2203 W		E.C. CONTROL		MFG ENGR	
FINISH		SEE ENGR SPECIFICATIONS		TITLE		RDC PRIORITY I/O ADAPTER	
DATE		SIZE		DRAWING NUMBER		REV	

THIS DRAWING AND THE DATA THEREON ARE THE CONFIDENTIAL PROPERTY OF WANG LABORATORIES, INC. THE DRAWING AND THE DATA SHOWN HEREON MAY NOT BE REPRODUCED OR TRANSMITTED IN ANY FORM OR BY ANY MEANS, ELECTRONIC OR MECHANICAL, INCLUDING PHOTOCOPYING, RECORDING, OR BY ANY INFORMATION STORAGE AND RETRIEVAL SYSTEM, WITHOUT THE WRITTEN CONSENT OF WANG LABORATORIES, INC. IF YOU ARE READING THIS DRAWING PERMITTED BY WANG TO BEAR THE PHYSICAL CUSTODY OF THE COMPANY IT IS NOT TO BE RELEASED UNDER THE DEMAND OF WANG LABORATORIES, INC.

DO NOT SCALE

SIGNAL	87	86	81	84	85	83	83	83	83	83	83	83	80	J	P	S.P.	82
A1						A1									P1		
A2						A1	A2								P2		
A3							A1	A2							P3		
A4								A1	A2						P4		
A5									A1	A2					P5		
A6										A1	A2				P6		
A7											A1	A2			P7		
A8												A1	A2		P8		
A9						A3	A4								P1		
A10								A3	A4						P2		
A11									A3	A4					P3		
A12										A3	A4				P4		
A13											A3	A4			P5		
A14												A3	A4		P6		
A15													A3	A4	P7		
A16														A3	A4	P8	
A17															P1		
A18															P2		
A19															P3		
A20															P4		
A21															P5		
A22															P6		
A23															P7		
A24															P8		
A25															P1		
A26															P2		
A27															P3		
A28															P4		
A29															P5		
A30															P6		
A31															P7		
A32															P8		
A33															P1		
A34															P2		
A35															P3		
A36															P4		
A37															P5		
A38															P6		
A39															P7		
A40															P8		
A41															P1		
A42															P2		
A43															P3		
A44															P4		
A45															P5		
A46															P6		
A47															P7		
A48															P8		
A49															P1		
A50															P2		
A51															P3		
A52															P4		
A53															P5		
A54															P6		
A55															P7		
A56															P8		
A57															P1		
A58															P2		
A59															P3		
A60															P4		
A61															P5		
A62															P6		
A63															P7		
A64															P8		
A65															P1		
A66															P2		
A67															P3		

SIGNAL	87	86	81	84	85	83	83	83	83	83	83	83	80	J	P	S.P.	82
A68															P8		
A69															P1		
A70															P2		
A71															P3		
A72															P4		
A73															P5		
A74															P6		
A75															P7		
A76															P8		
A77															P1		
A78															P2		
A79															P3		
A80															P4		
A81															P5		
A82															P6		
A83															P7		
A84															P8		
A85															P1		
A86															P2		
A87															P3		
A88															P4		
A89															P5		
A90															P6		
A91															P7		
A92															P8		
A93															P1		
A94															P2		
A95															P3		
A96															P4		
A97															P5		
A98															P6		
A99															P7		
A100															P8		
A101															P1		
A102															P2		
A103															P3		
A104															P4		
A105															P5		
A106															P6		
A107															P7		
A108															P8		
A109															P1		
A110															P2		
A111															P3		
A112															P4		
A113															P5		
A114															P6		
A115															P7		
A116															P8		
A117															P1		
A118															P2		
A119															P3		
A120															P4		
A121															P5		
A122															P6		
A123															P7		
A124															P8		
A125															P1		
A126															P2		

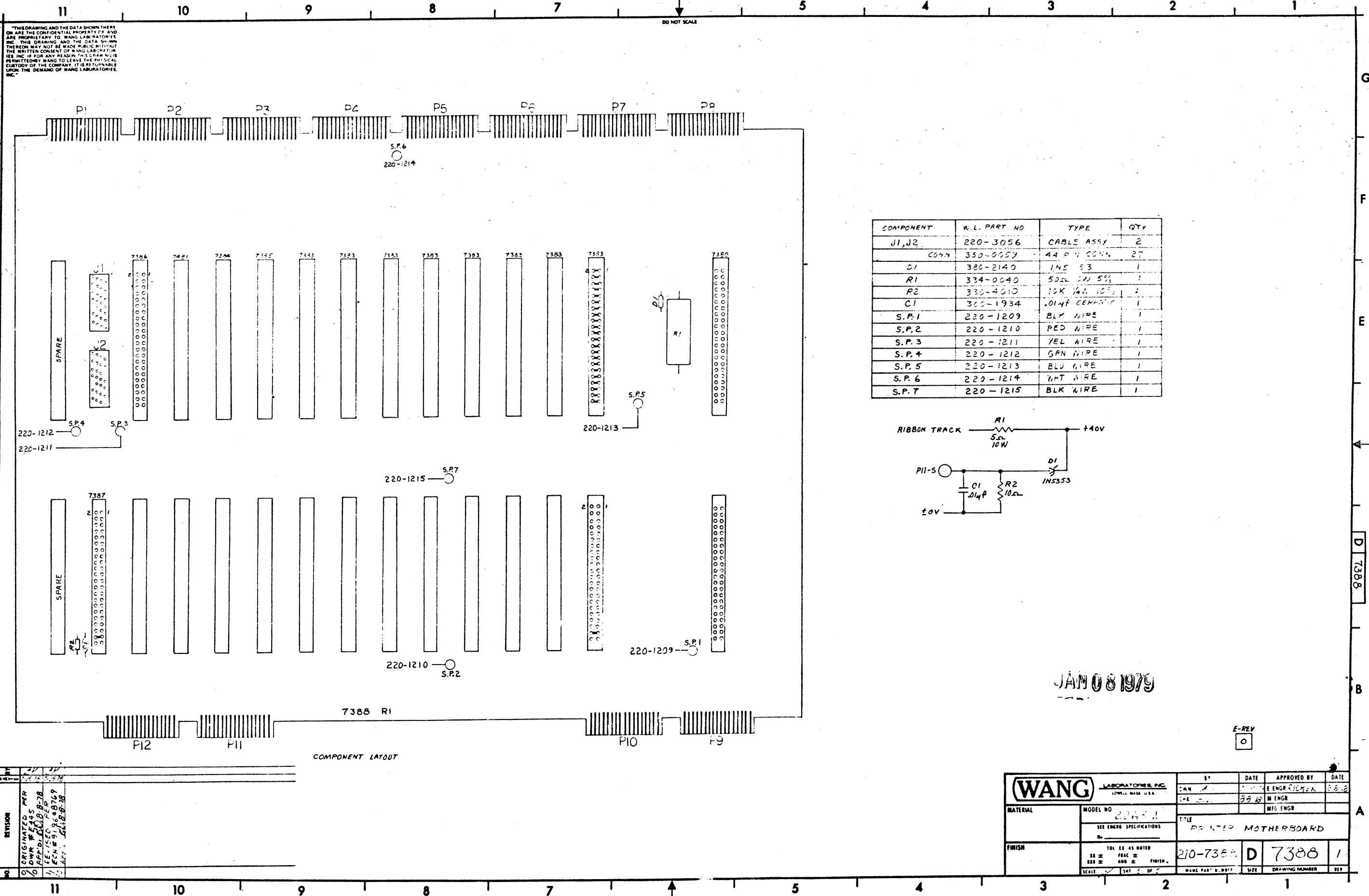
SIGNAL	87	86	81	84	85	83	83	83	83	83	83	83	80	J	P	S.P.	82
A127															P7		
A128															P8		
A129															P1		
A130															P2		
A131															P3		
A132															P4		
A133															P5		
A134															P6		
A135															P7		
A136															P8		
A137															P1		
A138															P2		
A139															P3		
A140																	







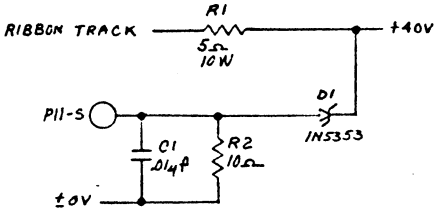




THIS DRAWING AND THE DATA SHOWN THEREON ARE THE CONFIDENTIAL PROPERTY OF WANG LABORATORIES, INC. THE DRAWING AND THE DATA SHOWN THEREON MAY NOT BE MADE PUBLIC WITHOUT THE WRITTEN CONSENT OF WANG LABORATORIES, INC. IF FOR ANY REASON THIS DRAWING IS PERMITTED BY WANG TO LEAVE THE PHYSICAL CUSTODY OF THE COMPANY, IT IS RETURNABLE UPON THE DEMAND OF WANG LABORATORIES, INC.

DO NOT SCALE

COMPONENT	W.L. PART NO	TYPE	QTY
J1, J2	220-3056	CABLE ASSY	2
CONN	350-0059	44 PIN CONN	27
D1	320-2140	1N5353	1
R1	334-0040	50Ω 1/4W 5%	1
R2	330-4010	10K 1/4W 5%	1
C1	300-1934	.01μF CERAMIC	1
S.P.1	220-1209	BLK WIRE	1
S.P.2	220-1210	RED WIRE	1
S.P.3	220-1211	YEL WIRE	1
S.P.4	220-1212	GRN WIRE	1
S.P.5	220-1213	BLU WIRE	1
S.P.6	220-1214	WHT WIRE	1
S.P.7	220-1215	BLK WIRE	1



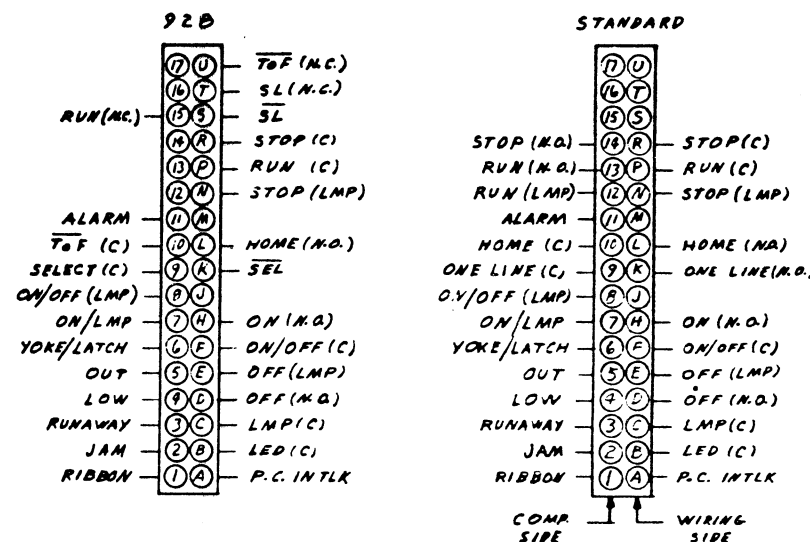
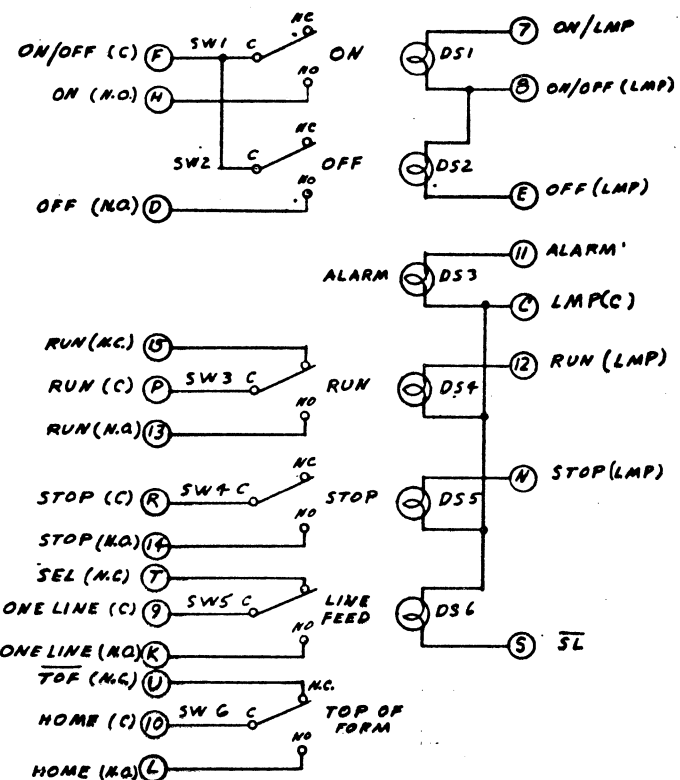
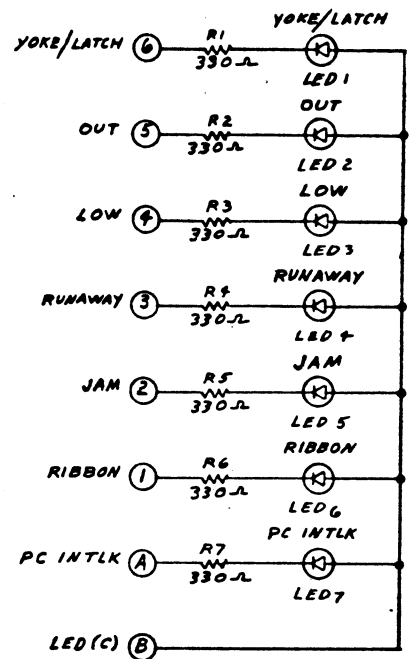
JAN 08 1979

E-REV  
0

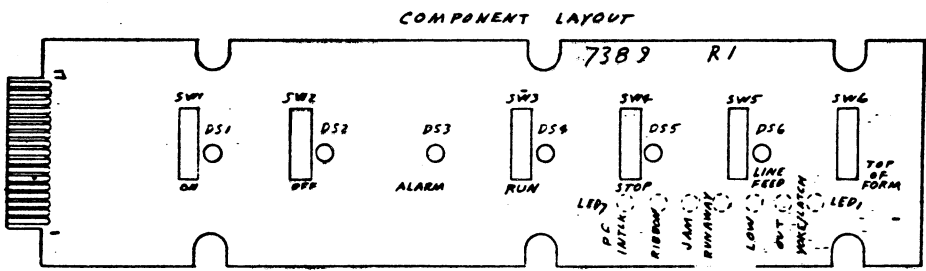
REV	DATE	DESCRIPTION
1	12/15/78	ORIGINATED PER DWR # 445
2	1/8/79	APP'D BY DWR # 8-78
3	1/15/79	REVISED PER ECN # 919648769
4	1/15/79	REVISED PER ECN # 919648769

<b>WANG</b> LABORATORIES, INC. LOWELL, MASS. U.S.A.		BY: JAN	DATE: 1/8/79	APPROVED BY: E ENGR KEMER	DATE: 1/8/79
MATERIAL:	MODEL NO: 220-3056	BY: J.E.	DATE: 1/8/79	APPROVED BY: M ENGR	DATE:
SEE ENGR SPECIFICATIONS		TITLE: PRINTER MOTHERBOARD			
FINISH:	101 AS NOTED	SCALE: 1/8" = 1"	SHT: 1 OF 1	WANG PAT. U.S.P.T.	SIZE: D 7388
REV: 4	FRAC: 4	FINISH: 1	210-7388	D 7388	1

"THIS DRAWING AND THE DATA SHOWN THEREON ARE THE CONFIDENTIAL PROPERTY OF AND ARE PROPRIETARY TO WANG LABORATORIES, INC. THIS DRAWING AND THE DATA SHOWN THEREON MAY NOT BE MADE PUBLIC WITHOUT THE WRITTEN CONSENT OF WANG LABORATORIES, INC. IF FOR ANY REASON THIS DRAWING IS PERMITTED BY WANG TO LEAVE THE PHYSICAL CUSTODY OF THE COMPANY, IT IS RETURNABLE UPON THE DEMAND OF WANG LABORATORIES, INC."



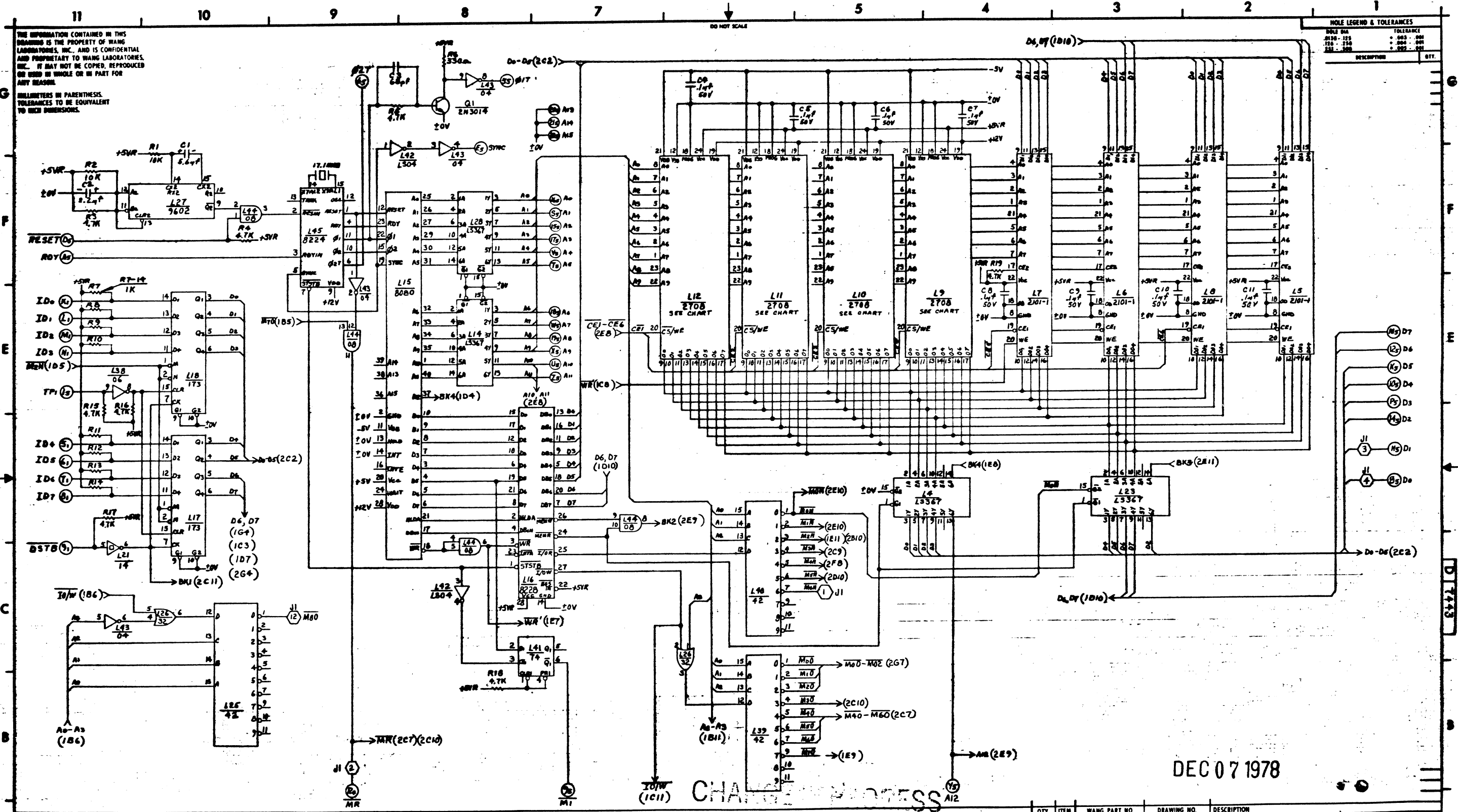
COMPONENT	M.L. PART NO.	TYPE
R1-7	330-2033	330-Ω/1/4W 10%
SW1-6	325-2305	MICRO SWITCH
DS1-6	370-0023	LAMP TYPE T-1
DS1-6	370-1010	LAMP HOLDER
DS1-6	652-3002	1/4-32 HELIX HT
LED 1-7	370-0026	LAMP RED LED



E-REF  
 5

<b>WANG</b> LABORATORIES, INC. LOWELL, MASS. U.S.A.		BY	DATE	APPROVED BY	DATE
MATERIAL		DWN	8-2-78	E ENGR B.FISH	8-3-78
MODEL NO 210-7389 W		CHE	8-2-78	M ENGR	
SEE ENGRG SPECIFICATIONS		TITLE PRINTER KEYBOARD			
FINISH		210-7389		D	7389
SCALE		WANG PART NUMBER		SIZE	DRAWING NUMBER

REVISION	DATE	BY
ORL. PER	7-20-78	...
DWA. PER	7-20-78	...
APPROVED PER	7-20-78	...
REVISION	DATE	BY
...	...	...



THE INFORMATION CONTAINED IN THIS DRAWING IS THE PROPERTY OF WANG LABORATORIES, INC. AND IS CONFIDENTIAL AND PROPRIETARY TO WANG LABORATORIES, INC. IT MAY NOT BE COPIED, REPRODUCED OR USED IN WHOLE OR IN PART FOR ANY REASON.

MILLIMETERS IN PARENTHESES. TOLERANCES TO BE EQUIVALENT TO SUCH DIMENSIONS.

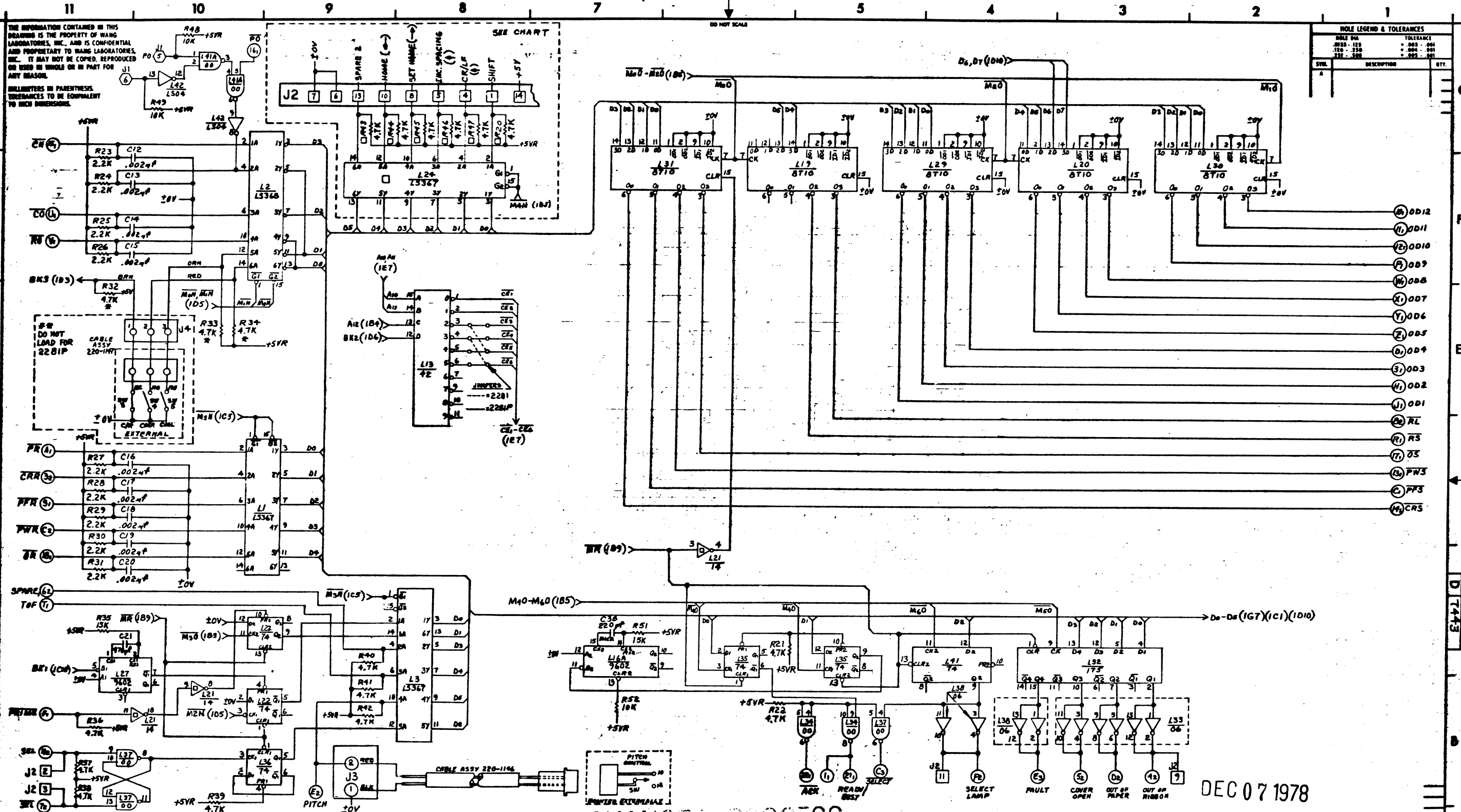
HOLE LEGEND & TOLERANCES	
DRILL DIA.	TOLERANCE
.030 - .125	+ .003 - .004
.126 - .250	+ .004 - .005
.251 - .500	+ .005 - .006
DESCRIPTION	QTY.

QTY.	ITEM	WANG PART NO.	DRAWING NO.	DESCRIPTION
	NEXT ASSY.			
<b>WANG</b> LABORATORIES, INC. <small>TEMPERATURE MADE U.S.A.</small>				
MATERIAL		MODEL NO.	TITLE	
		2281/2281E	DIABLO PRINTER/PLOTTER CONTROL	
FINISH		FOR EE AS NOTED	210-7443	D 7443 9
		SEE ENGR. SPECIFICATIONS	WANG PART NUMBER	SIZE DRAWING NUMBER REV.
		SCALE 1/8" = 1"	SHT 1 OF 3	

PER DATE 11/13/78 9596

DATE NOV 13 1978

DEC 07 1978



HOLE LEGEND & TOLERANCES		
SYMBOL	DESCRIPTION	QTY.
Ø	Ø DIA	
±	TOLERANCE	
±.015 - .018	± .003 - .004	
±.020 - .030	± .004 - .005	
±.030 - .050	± .005 - .007	

DEC 07 1978

CHANGE PROCESS

PER ECN 9596  
DATE NOV 13 1978

QTY.	ITEM	WANG PART NO.	DRAWING NO.	DESCRIPTION
	NEXT ASSY.			
		<b>WANG</b>	LABORATORIES, INC.	TEMPERATURE MADE U.S.A.
	MATERIAL	MODEL NO.	2281/2281E	
		SEE ENGR. SPECIFICATIONS		
	FINISH	TOL. EX. AS NOTED		
		SEE ENGR. SPECIFICATIONS		
		SCALE 1/8" = 1"	SHEET 2 OF 3	
		BY	DATE	APPROVED BY
		DWN	1-4-78	E ENGR
		CHK		M ENGR
				MFG ENGR
		TITLE	DIABLO PRINTER/PLOTTER CONTROL	
		210-7443	D	7443 9
		WANG PART NUMBER	SIZE	DRAWING NUMBER
				REV

THE INFORMATION CONTAINED IN THIS DRAWING IS THE PROPERTY OF WANG LABORATORIES, INC. AND IS CONFIDENTIAL AND PROPRIETARY TO WANG LABORATORIES, INC. IT MAY NOT BE COPIED, REPRODUCED OR USED IN WHOLE OR IN PART FOR ANY REASON.

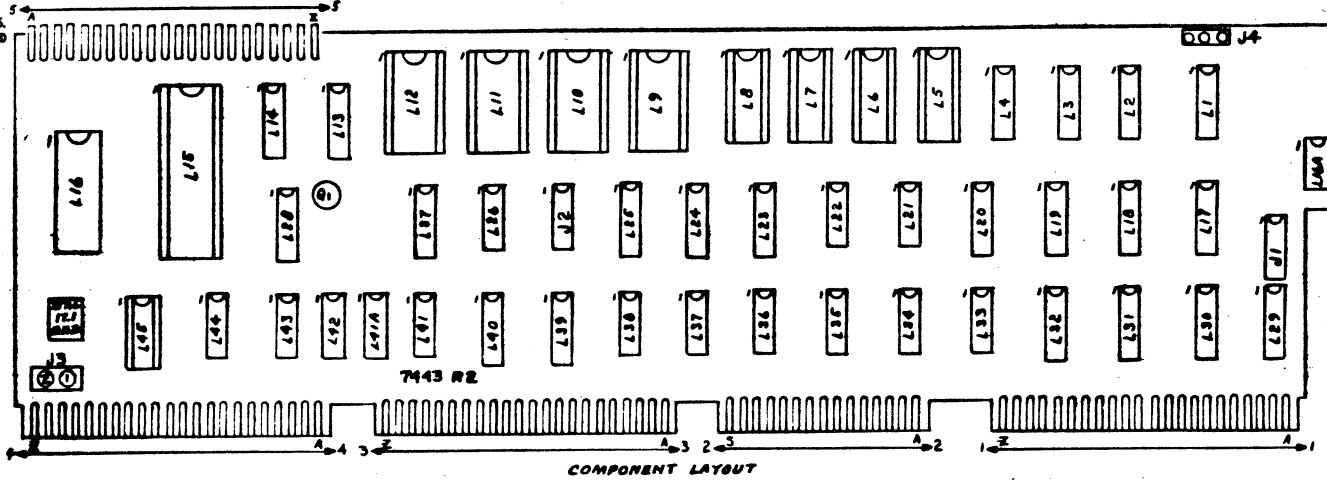
MILLIMETERS IN PARENTHESES TOLERANCES TO BE EQUIVALENT TO SUCH DIMENSIONS.

DO NOT SCALE

SEE SHEET 3043

INFORMATION CONTAINED IN THIS DRAWING IS THE PROPERTY OF WANG LABORATORIES, INC. AND IS CONFIDENTIAL AND PROPRIETARY TO WANG LABORATORIES, INC. IT MAY NOT BE COPIED, REPRODUCED OR USED IN WHOLE OR IN PART FOR ANY REASON.

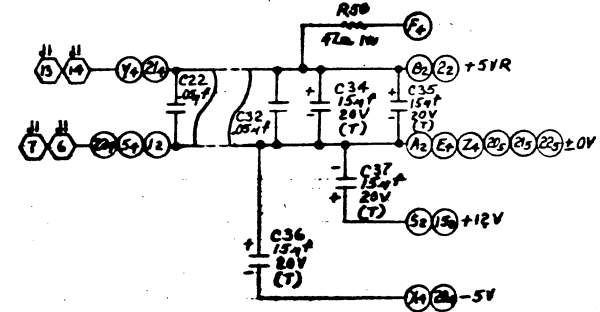
DIMENSIONS IN PARENTHESES. TOLERANCES TO BE EQUIVALENT TO SUCH DIMENSIONS.



LOCATION	W.L. PART NO.	TYPE
L139, 23, 24, 25	376-0192	74LS367
L2	376-0193	74LS368
L5-8	377-0308	2101-1
L9-12	SEE CHART	2708
L13, 25, 39, 40	376-0008	7442
L15	377-0249	8080
L16	377-0338	8228
L17, 18	376-0183	74173
L17, 20, 29-31	376-0137	8710
L21	376-0139	7414
L22, 35, 36, 41	376-0006	7474
L26	376-0093	7432
L27, 16A	376-0104	9602
L32	376-0119	74175
L33, 38	376-0055	7406
L34, 37, 44	376-0002	7400
L42	376-0180	74LS04
L43	376-0010	7404
L44	376-0081	7408
L45	377-0337	8224

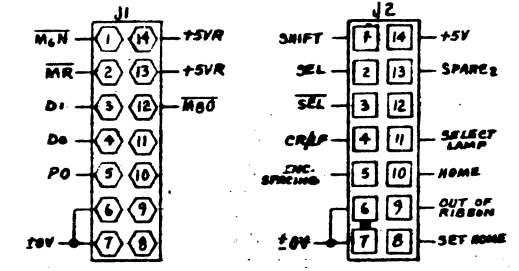
COMPONENT	W.L. PART NO.	TYPE
Q1	375-0017	2N3014
Q1	375-9004	TRANSI-PAD
R1, 2, 48, 49, 52	330-4010	10K 1/4W 10%
R3, 9, 51, 52, 32-34, 36-41	330-3047	4.7K 1/4W 10%
R6	330-2033	330Ω 1/4W 10%
R7-14	330-3010	1K 1/4W 10%
R23-31	330-3022	2.2K 1/4W 10%
R35, 51	330-4015	15K 1/4W 10%
C1	300-4017	5.6µF 35V
C2	300-4014	2.2µF 20V
C3	300-1068	68µF 500V
C4-11	300-1930	1µF 50V (M FREQ)
C12-20	300-1913	.002µF 500V
C21	300-1470	470µF 500V
C22-33	300-1900	.05µF 12V
C34-37	300-4022	15µF 20V
XTAL	321-0018	17.1 MHZ
L45	376-9002	16 PIN SOCKET
J1, 2	376-9012	14 PIN SOCKET
L5-8	376-9010	22 PIN SOCKET
L9-12	376-9003	24 PIN SOCKET
L15	376-9011	40 PIN SOCKET
C38	300-1220	220µF MICA
R30	332-1047	97Ω 1W
J3	220-1146	CABLE
J4	654-1173	HEADER ASSY

MNEMONIC	COORDINATE
ACK	2B5
A0-A11	1F7
A12	1E8
A13-A18	1G7
CE1-CE4	1E7
CH	2G11
CO	2F11
COVER OPEN	2B3
CRR	2D11
CMS	2D1
Do-D7	1D10
DSTB	1C11
FAULT	2B4
Ido-ID7	1E11
IO/W	1B7
MT	1B7
M0N-M7N	1C5
M0D-M7D	1B5
MR	1B9
OD1-OD12	2E1
OR	2C1
OS	2D1
OUT OF PAPER	233
OUT OF RIBBON	2B3
PFR	2D11
PFS	2D1
PITCH	2B9
PRIME	2B11
PS	2F11
PR	2D11
PWR	2D11
PWS	2D1
RDY	1F11
READY/BUSY	2B5
RESET	1F11
RL	2D1
RS	2F4
RS	2D1
SEL	2B11
SEL	2A1
SELECT	2B5
SELECT LAMP	2B4
SPARE1	2C11
SYNC	1G8
TPI	1E11
T0F	2C11
0,T	1G8
0,T	1G9

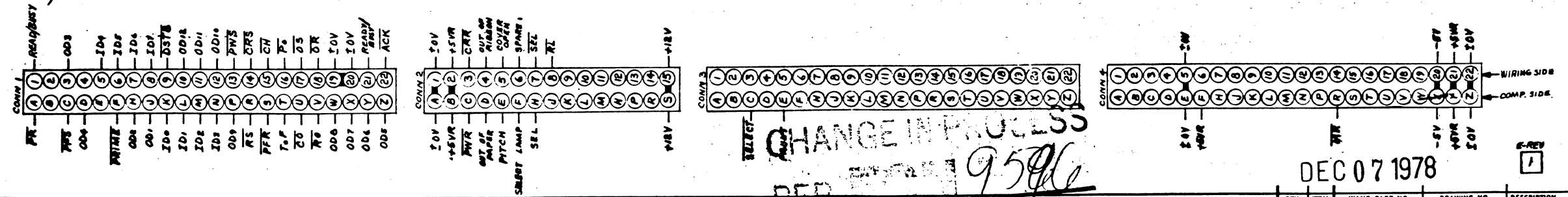


LOCATION	TYPE	SPARES
L16A	9602	1
L41A	7400	2
L21	7414	2
L43	7404	2
L26	7432	2
L34	7400	2
L36	7474	1
L37	7400	1
L38	7406	1
L42	74LS04	2

MODEL	209	210	L12	L11	L10	L9
2281	7443	7443A	378-2069 R2	378-2070 R2		
7432	7443	7443B	378-2133 R1	378-2134 R1		
2281-P	7443-1	7443-1A	378-2150-R1	378-2151-R1	378-2152-R1	378-2153-R1
2281-V	7443	7443C	378-2217	378-2218		
DIAGNOSTIC	7443	7443D	378-2223	378-2224		



SIGNAL-TERMINAL DESIGNATIONS, VIEW FROM BOTTOM (WIRING) SIDE OF CONNECTOR



CHANGE IN PROCESS  
PER 9586

DEC 07 1978

DATE NOV 13 1978

REV	DATE	DESCRIPTION	BY	DATE	APPROVED BY	DATE
1	1-78	ORIGINATED PER DWR # 5116	DWR	1-78	E ENGR F. LEE	4/1/78
2	1-78	REVISED PER APP. D. 11-15-78	CHK	6/14/78	M ENGR	
3	1-78	REVISED PER ECN # 758				
4	1-78	REVISED PER APP. D. 11-15-78				
5	1-78	REVISED PER ECN # 865				
6	1-78	REVISED PER ECN # 865				
7	1-78	REVISED PER ECN # 865				
8	1-78	REVISED PER ECN # 865				
9	1-78	REVISED PER ECN # 865				

QTY.	ITEM	WANG PART NO.	DRAWING NO.	DESCRIPTION
	NEXT ASSY.	<b>WANG</b>		LABORATORIES, INC. TERRYBORO, MASS. U.S.A.
	MATERIAL	MODEL NO.	2281/2281E	SEE ENGR. SPECIFICATIONS
	FINISH	TOL. EX. AS NOTED		
		210-7443	D	7443
		SCALE	SHT 3 OF 3	



6 5 4 3 2 1

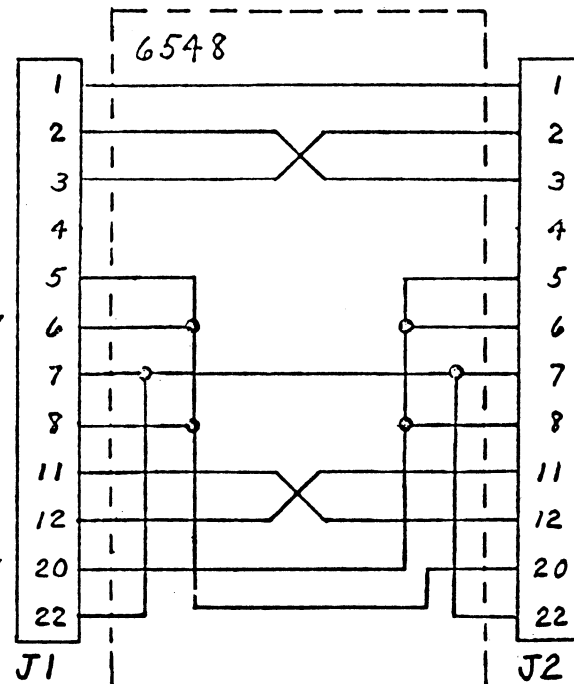
DO NOT SCALE

HOLE LEGEND

DRILLED OR PUNCHED HOLE TOLERANCES:	HOLE DIA.	TOL.
	.0135 to .125	+ .003 - .001
	.126 to .250	+ .004 - .001
	.251 to .500	+ .005 - .001

IDENT.	DESCRIPTION	QTY.
A		

CHASSIS GND  
XMT DATA  
RCV DATA  
REQ TO SEND  
CLEAR TO SEND  
DATA SET READY  
SIGNAL GND  
CARRIER DET  
SUP XMT  
SUP RCV  
DATA TERM. READY  
RING



<b>WANG</b> LABORATORIES, INC.		PL 6548-4	A				
DATE	4/11/74	NULL MODEN JUNCTION					
CHK							
APVD							
APVD							
QTY. PER DASH NO.	KEY	WANG PART NUMBER	WANG DRAWING NUMBER	NOMENCLATURE OR DESCRIPTION	ITEM NO.		
	-4						
	1	510-6548		6548 PC BOARD	1		
					2		
	2	350-1031		DB-25S CH CONN 6000 SERIES	3		
SYM	REVISION DESCRIPTION	DATE	APPROVED	SYM	REVISION DESCRIPTION	DATE	APPROVED
<small>           * - VENDOR ITEM FOR PROCUREMENT OR PART NUMBER SEE SPECIFICATION            CONTROL OR SOURCE CONTROL DRAWING            P - PART            I - INCHES            M - METRIC         </small>		MODEL	2227 N				
			PL 6548-4				

B 6548-1

B

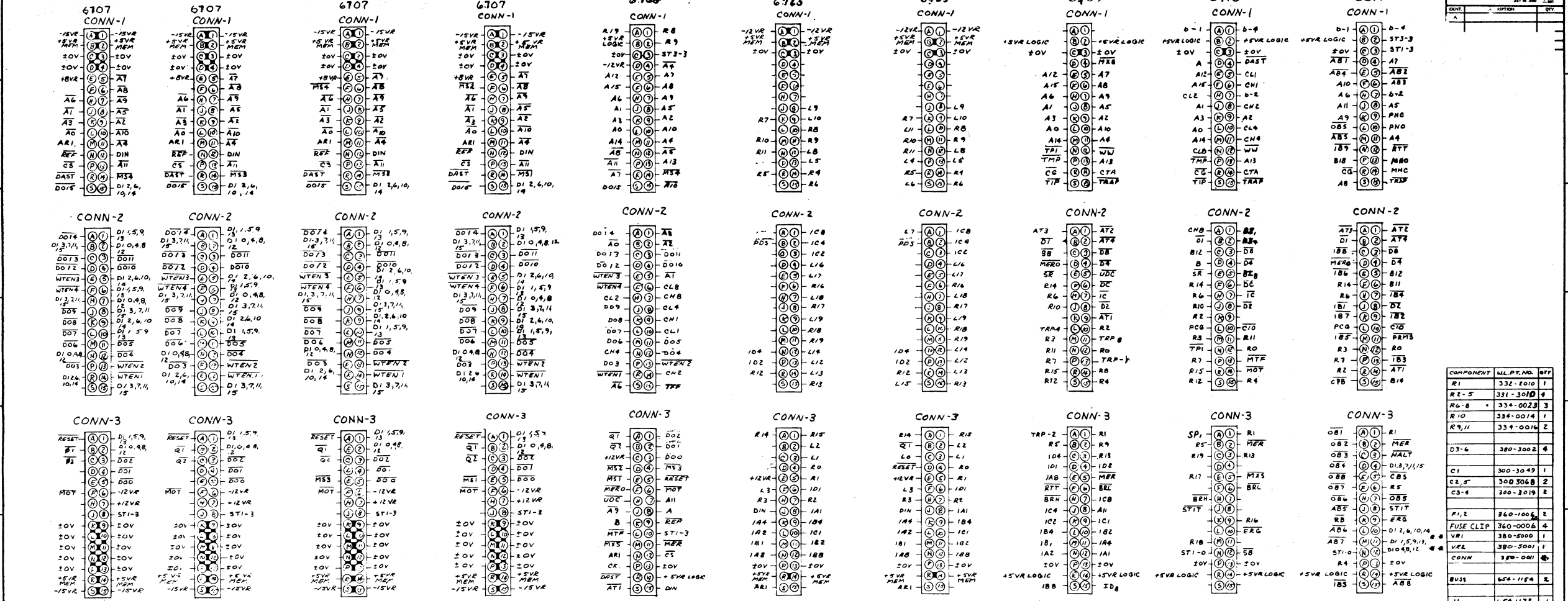
NO.	REVISION	DATE	BY

WANG PART NO.	ITEM	QTY.	NAME	MATERIAL	DESCRIPTION
			<b>WANG</b> LABORATORIES, INC. TEWKSBURY, MASS. U. S. A.	BY DWN M.F.	DATE 4/11/74
			MATERIAL	DATE	APPROVED BY
			MODEL NO. 2227-N		DATE 4-29-74
			SEE ENGRG SPECIFICATIONS No. _____	CHK M ENGR	
			FINISH	E. C. CONTROL	MFG ENGR
			TOL. EX. AS NOTED .XX ± .010 FRAC. ± 1/64 .XXX ± .005 ANG. ± 1°30' FINISH ✓	TITLE WIRING DIAGRAM NULL MODEN JUNCTION	
			SCALE	SHT / OF /	
			WANG PART NUMBER	SIZE B	DRAWING NUMBER 6548-1
					REV. 0

6 5 4 3 2 1

THIS DOCUMENT IS THE PROPERTY OF WANG LABORATORIES, INC. AND SHALL NOT BE REPRODUCED OR COPIED IN ANY MANNER FOR THE MANUFACTURE OR SALE OF APPARATUS OR DEVICES WITHOUT PERMISSION.

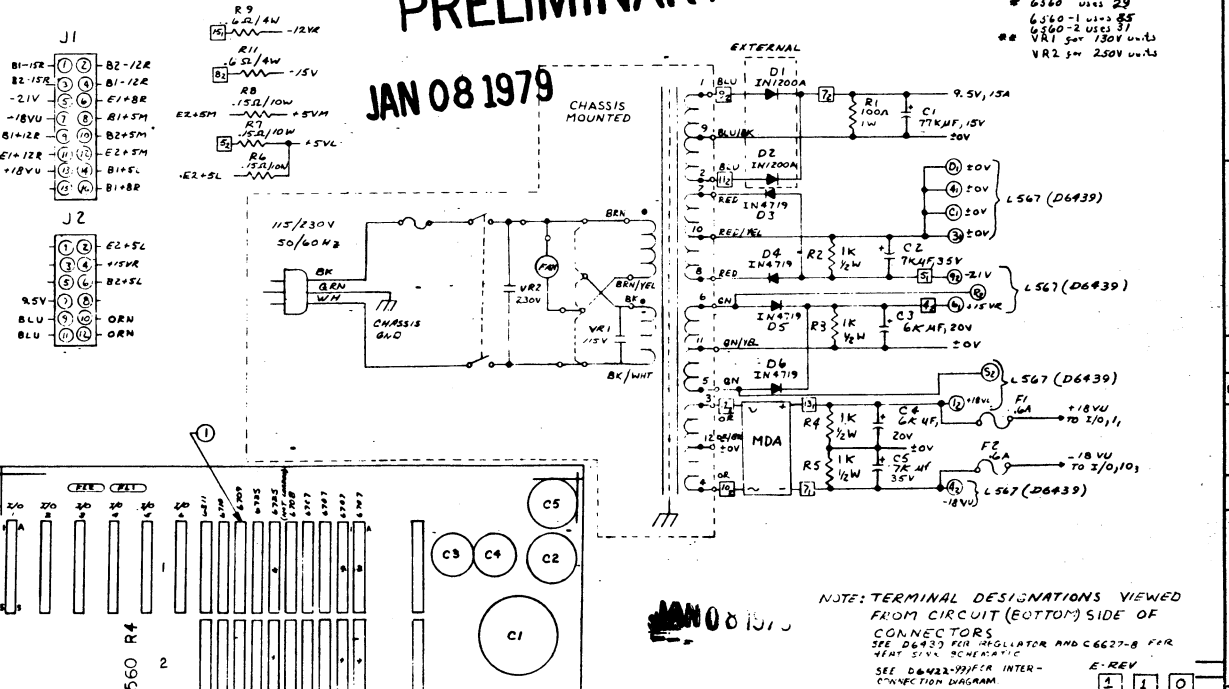
HOLE LEGEND			
DRILLED OR PUNCHED HOLE TO BRIDGE	HOLE DIA.	TOL.	
Ø.125	.125 ± .002	± .002	
Ø.1875	.1875 ± .002	± .002	
Ø.250	.250 ± .002	± .002	
Ø.3125	.3125 ± .002	± .002	



COMPONENT	MFG. P.M.O.	QTY
R1	332-2010	1
R2-5	331-3010	4
R6-8	334-0023	3
R10	334-0014	1
R9,11	334-0016	2
D3-6	380-3002	4
C1	300-3049	1
C2,5	300-3068	2
C3-4	300-2019	2
F1,2	260-1006	2
FUSE CLIP	360-0006	4
VR1	380-3000	1
VCR	380-3001	1
CONN	380-0001	1
BUSS	654-1154	2
J1	654-1172	1
J2	654-1177	1

PRELIMINARY

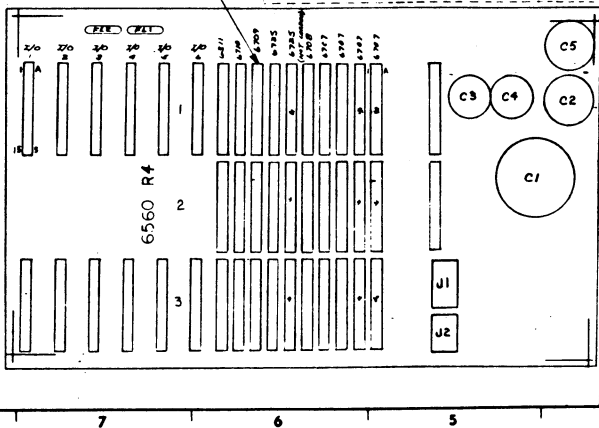
JAN 08 1979



NOTE: TERMINAL DESIGNATIONS VIEWED FROM CIRCUIT (BOTTOM) SIDE OF CONNECTORS  
SEE D6433 FOR MAGILLATOR AND C6627-B FOR VERT. SW. SCHEMATIC  
SEE D6422-2112R INTER-CONNECTION DIAGRAM

REV.	BY	DATE	DESCRIPTION
1	...	...	...
2	...	...	...
3	...	...	...

REV.	QTY	U.L. PART NO.	DESCRIPTION	DO NOT LOAD
6560-2	1	350-0011	225-21521-110	DO NOT LOAD 1/0 S, 2/06
6560-1	2	151-0038	CONNECTION DEL. FROM	ALL 2/0 POSITIONS MARKED
6560-1	1	350-0011	225-21521-110	
6560	1	350-0011	225-21521-110	DO NOT LOAD 2/0 S, 2/06 2/06 S



WANG PART NO.	ITEM	QTY	NAME	MATERIAL	DESCRIPTION
...	...	...	...	...	...
...	...	...	...	...	...



MODEL NO. 2200SL  
TITLE SCHEMATIC FOR 6560 MOTHER BOARD  
SCALE: 1/8" = 1"



