

PRODUCT SERVICE SCHEMATIC MANUAL

© Wang Laboratories, Inc., 1974

This manual contains company proprietary information.
Reproduction of this document in whole or in part
without the authorized consent of Wang Laboratories,
Inc. is prohibited.

INTRODUCTION

This manual contains schematic drawings and cable diagrams of the following products:

Model 100 System
Model 400 System
Model 500/520/600 Calculators
Model 700/720 Calculators
Model 1200 System
Model 2200 System
Peripherals of 500/520/600/700/720/2200
DIABLO Series 40 Disk Drive

The schematics are arranged in sections in the order listed above. A colored title and table of contents sheet begins each section. The schematics in each section are arranged in ascending numerical order by printed circuit board number disregarding F and L prefixes. Pertinent power supply schematics and cable diagrams are placed at the end of each section. Due to the unavailability at time of publication, some schematics and cable diagrams are missing, especially on newer products. Rough engineering drawings and preliminary drawings are not usually incorporated in this manual.

This manual will periodically be updated to include drawings and schematics of newly manufactured products, and drawings that are now sketches or not finalized.

The Model 300 series drawings are not included in this manual because of a prior publication *Series 300 Drawings* (03-0007-0) which incorporated all 300 schematic diagrams. All copies of this manual are exhausted and there are currently no plans to reprint due to expense and low priority.

Publication of this new schematic manual eliminates schematic diagrams from future Service Bulletins; bulletins will have assembly drawings only if available at time of publication.

In order to improve this publication, use the business reply form on the next page to send suggestions or requests for drawings which may have been omitted; these will be incorporated in the next update.

PERIPHERALS

O3-0019-4
SCHEMATIC MANUAL

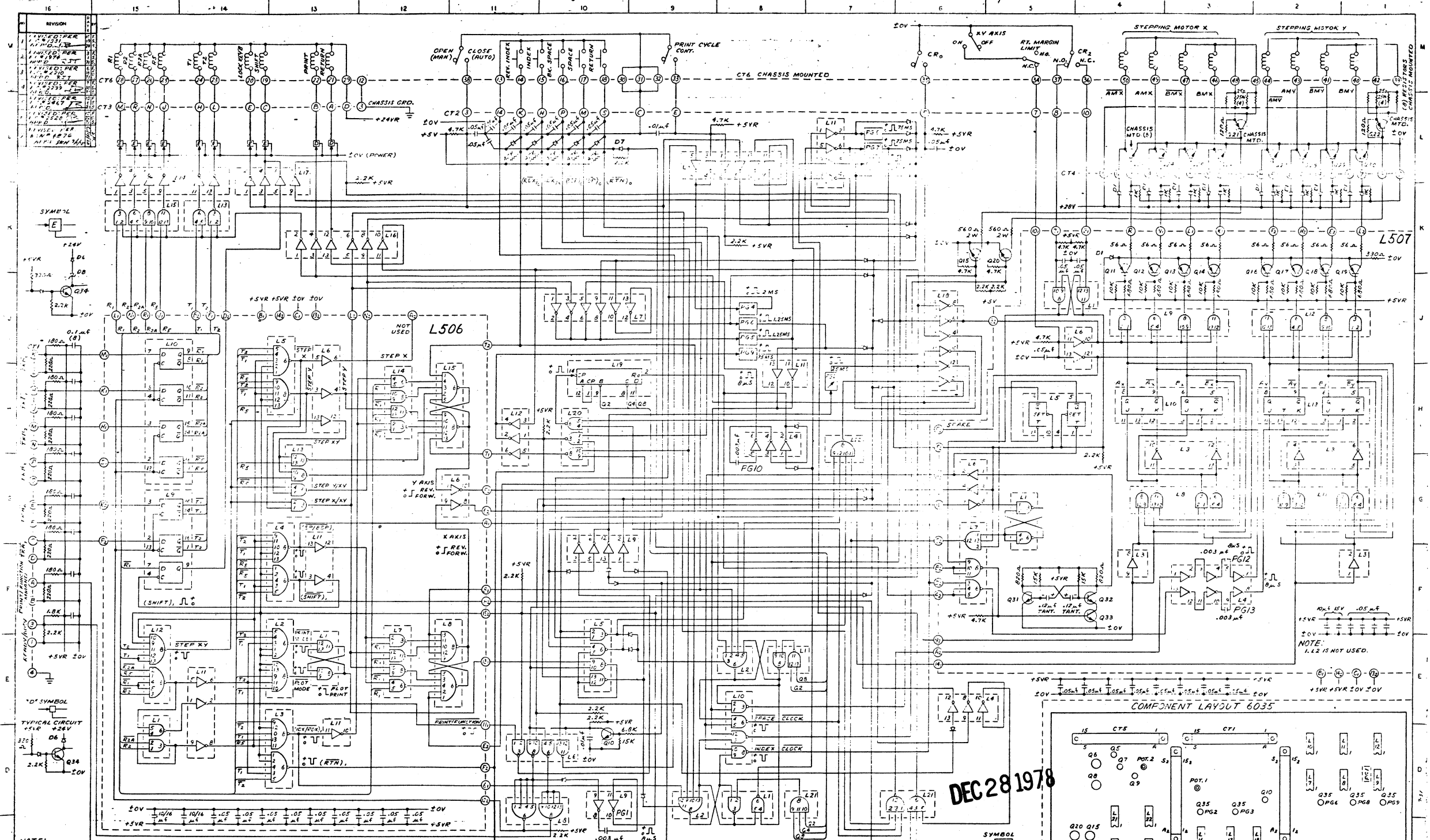
The following schematics are contained in this section in the order listed:

JANUARY 1979

TITLE	DRAWING #	SHEETS	PERIPHERAL	TITLE	DRAWING #	SHEETS	PERIPHERAL	TITLE	DRAWING #	SHEETS	PERIPHERAL
335	C6046	1	608/708	6243	D6243-1	1	705	6761	E6761	1	Model 62 Printer
341	C5991-1	1	630/720/2230	6243	D6243-2	1	605	6762	C6762	1	Model 61/62 Printer
343	C6188-1	1	609/709/629/729	6247	D6247-1	1	USER ROM	6734	E6734	1	MODEL 72 PRINTER
347	D6473	1	641/741/2241	6248	E6248-1	1	612/712/2212	6772	E6772	1	MODEL 72 PRINTER
348	C6474	1	641/741/2241	6249	E6249-1	1	612/712/2212	7012	E7012	1	MODEL 72 PRINTER
350	C6490-1	1	633/733	6250	E6250-1	1	612/712/2212	7018	E7018	3	WCS/2270
351	C6467	1	2203	6251	D6251-1	2	622/722	7028	E7028	1	MODEL 72 PRINTER
352	C6496	1	640/740/2240/2242/43	6255	E6255-1	1	607/707	7030	E7030	1	MODEL 77 PRINTER
L506	See 6035 PC	1	602/702/2202	6257	D6257-1	1	623/723	7031	E7031	1	MODEL 77 PRINTER
L507	See 6035 PC	1	602/702/2202	6258	E6258-1	1	623/723	7035	C7035	1	MODEL 77 PRINTER
L507-1	See 6035-1 PC	1	602/702/2202	6268	E6268-1	2	USER ROM	7060	E7060	1	MODEL 61 PRINTER
L509	D6109	1	703	6272	D6272-1	1	711	7070	E7070	1	2212W
L510	D6110	1	703	6273	D6273-1	1	611	7071	D7071	1	2212W
L511	D6111	1	703	6276	E6276-1	1	624/724	7072	D7072	1	2212W
L514	C6144-1	1	611/711	6280	D6280-1	1	2214	7073	E7073	1	2212W
L515	C6145-1	1	611/711	6281	C6281-1	1	623/723/624/724	7074	E7074	1	2212W
L516	C6146-1	1	611/711	6284	C6284-1	1	603/703	7075	C7075	1	2212W
L517	C6147-1	1	611/711	6286	D6286-1	1	607/707	7076	E7076	1	MODEL 72 PRINTER
L518	C6148-1	1	611/711	6287	D6287-1	1	628	7061-1	E7076	1	2221W/200W
L519	D6149-1	1	711	6288	D6288-1	1	612/712/2212	7077	E7077	1	200W W/RS232
L523	D6189-1	1	611	6289	D6289-1	1	632/732/2232	7091	E7091	1	2251 PRT
L532	See 6035-1 PC	1	602/702/2202	6290	A6290-1	1	632/732/2232	7092	D7092	1	2251 PRT
L534	D6196-1	1	609/709	6294	6294	2	629/729	7094	D7094	1	2250
L535	D6186-1	1	609/709/629/729	6295	D6295-1	1	630/730/2230	7129	B7129	1	MODEL 77 PRINTER
L536	D6180-1	1	609/709	6296	D6296-1	1	ALL 30's & 40's/2242/43	7130	C7130	1	MODEL 77 PRINTER
L537	D6190-1	1	609/709/629/729	6297	D6297-1/2/3	1	-30	7131	E7131	1	MODEL 77 PRINTER
L538	D6198-1	1	609/709	6297-1	D6297-10	1	ALL 30's/640/2240/42/43	7132-1	E7132	1	MODEL 77 PRINTER
L539	D6191	1	603/703	6297-2	D6297-11	1	740	7133	D7133	1	MODEL 77 PRINTER
L540	D6199-1	1	609/709/629/729	6298	E6298	1	ALL 30's & 40's/2242/43	7134-1	E7134	1	MODEL 77 PRINTER
L541	D6009-1	1	609/709	6299	E6299-1	1	630/730/2230	7136	D7136	1	MODEL 77 PRINTER
L542	D6401-1	1	609/709/629/729	6331	D6331-1	1	641/741/2241	7137-1	E7137	1	MODEL 77 PRINTER
L545	D6407	1	2203	6332	D6332-1	1	641/741/2241	7143	E7143	1	2281D PRINTER
L546	D6408	1	603	6333	D6333-1	1	641/741/2241	7157	D7157	1	2231W-1/2231W-2
L556	D6421-1	1	628	6334	D6334	1	641/741/2241	7174	B7174	1	MODEL 77 PRINTER
L557	D6427-1	1	628	6335	D6335-1	1	641/741/2241	7175	B7175	1	2221W
F560-1	C6040-1	1	603/703	6336	D6336-1	1	632/732/2232	7184	B7184	1	2251
L560	D6434-1	1	629/729	6337	D6337	1	632/732/2232	7218	E7218	3	2270A
L561	D6431-1	1	629/729	6343	D6343-1	1	627/727	7232	D7232	2	2261V
L562	D6435-1	1	629/729	6344	D6344-1	1	627/727	7239A	D7239	3	MODEL 77 PRINTER
L563	D6432-1	1	629/729	6345	D6345-1	1	627/727	7243-1	E7243	1	928
L564	D6433	1	633/733	6346	D6346-1	1	627/727	7270	B7270	1	2271 PLOTTER
L565	D6436-1	1	632/732/2232	6349	D6349-1	1	630/730/2230	7271/-1	E7271	1	2271 PLOTTER
L574	C6484	1	633/733	6360	B6360-1	1	621/721/2221 (TESTER)	7272	E7272	1	2271 PLOTTER
L575	D6486-1	1	733	6363	D6363-1	1	632/732/2232	7273	D7273	1	2271 PLOTTER
L576	D6487-1	1	633/733	6366	D6366-1	1	633/733	7274	D7274	1	2271 PLOTTER
L577	D6488-1	1	633/733	6369	A6369	1	ALL 30's & 40's/2242/43	7275	B7275	1	2271 PLOTTER
L578	D6489-1	1	633	6390	D6390	1	640/740/2240/2242	7276	B7276	1	2271 PLOTTER
850	D6450-1	2	710	6391	D6391-1	1	640/740/2240/2242	7295	E7295	1	2282 Mother Bd.
851	D6451-1	1	710	6392	D6392-1	1	640/740/2240/2242	7296	E7296	3	2282
853	D6453-1	2	710	6394	D6394	1	2250	7297	D7297	2	2282
854	D6484-1	2	710	6395	D6395	1	640/740/2240/2242	7298	E7298	2	2282
855	D6455-1	2	710	6398	E6398	1	630/730/2230	7343	E7343	1	928
856	D6456-1	1	710	6398-1	E6398-1	1	2260	7370	C7370	1	2282
857	D6457-1	1	710	6399	E6399-1	1	ALL 40's/2242/43	7380	C7380	6	2282
858	D6458-1	1	710	6448	C6448	1	TD24	7381	C7381	8	2263W
861	D6461-1	1	710	6537	E6537-1	1	2243	7383	D7383	2	2263W
862	D6462-1	1	710	6538	D6538-1	1	2243	7384	C7384	7	2263W
863	D6463-1	1	710	6539	D6539-1	1	2243	7385	C7385	5	2263W
864	D6464-1	1	710	6540	C6540-1	1	2243	7386	C7386	6	2263W
868	D6468-1	1	710	6542	E6542-1	1	2224	7387	C7387	4	2263W
869	D6469-1	1	710	6544	E6544-1	1	2224	7388	D7388	5	2263W
871	D6471-1	1	710	6545	E6545-1	1	2224	7389	D7389	1	2263W
5971	D5971-1	1	618/718	6558	C6558	1	TD24	7443	D7443	3	2281/2281E PRINTER/PLOT
5972	E5972-1	1	618/718	6573	E COMPOSITE	1/4	MODEL 72 PRINTER				
5973	D5973-1	1	618/718	6574	E COMPOSITE	1/4	MODEL 72 PRINTER				
5974	D5974-1	1	618/718	6575	E COMPOSITE	1/4	MODEL 72 PRINTER				
5977	C5977-1	1	604/704	6576	E6576	1	MODEL 72 PRINTER				
5978	D5978-1	2	604/704	6577	E6577	1	MODEL 72 PRINTER				
5992	C5992-1	1	607/707	6578	E6578	1	MODEL 72 PRINTER				
5993	D5993-1	1	707	6579	E6579	1	MODEL 72 PRINTER				
5994	E5994-1	1	707	6590	D6590	1	612/712/2212				
5995	D5995-1	1	607/707	6594	E6594	1	2209				
6021	D6021-1	1	611/711	6595	E6595	1	2209				
6035	E6033	1	602/702/2202	6596	E6596	1	2209				
6035-1	E6033-1	1	602/702/2202	6597	D6597	1	2260				
6053	D6053	1	601/701/2201	6598	E6598	1	2209				
6117	D6117-1	1	705	6599	E6599	1	2209				
6125	D6125-1	2	514	6704	C6704	1	MODEL 72 PRINTER				
6127	D6127-1	2	714	6718	D6718	1	2201/2221M				
6127-1	D6127-2	2	614	6718	E6718	3	WCS/2270				
6134	A6134-1	1	602/702/2202	6727	E6727	1	2221W				
6175	D6175-1	1	609/709/629/729	6728	E6728	1	MODEL 72 PRINTER				
6216	E6216	1	608/708	6751	D6751	1	621/721				
6233	D6233-1	1	USER ROM	6752	C6752	1	2272				
6234	D6234-1	1	621/721	6756	D6756	1	Model 61/62 Printer				
6235	6235-1	8	609/709	6560	E6760	1	Model 61/62 Printer				
								TITLE	DRAWING #	SHEETS	PERIPHERAL
								-01 PWR SUPPLY	D6066	1	601/701/2201
								-01 CABLE	C6080	1	-01/-02/-11
								-11 P2 CABLE	C6021-2	1	611/711
								-11 P5 CABLE	D5776-558	2	-11
								& PWR SUPPLY			
								-11 I/O CABLE	C6021-4	1	611/711
								2214 CABLE	C6280-3	1	2214
								-21 I/O CABLE	C6465	1	621/721
								-22 I/O CABLE	C5776-2042	1	622/722
								-24 I/O CABLE	C6276-2	1	624/724
								2221 CABLE	C6422-129	1	2221
								DIABLO CABLE	D6472-59	1	ALL 30's
								MEMOREX CABLE	C6499-25	1	ALL 40's
								72 HEAT SINK	E6635-998	1	MODEL 72 PRINTER
								72 PWR CIRCUIT	E6635-999	1	MODEL 72 PRINTER
								72 CABLE	D6482-49	1	MODEL 72 PRINTER
								6230 CABLE	D6230	1	2209
								SHUGART CABLE	C6482-62	1	WCS/2270
								MEMOREX BLOCK	204172	3	ALL 40's
								MEMOREX LOGIC	012127	3	ALL 40's
								SHUGART LOGIC	D25000	2	WCS/2270

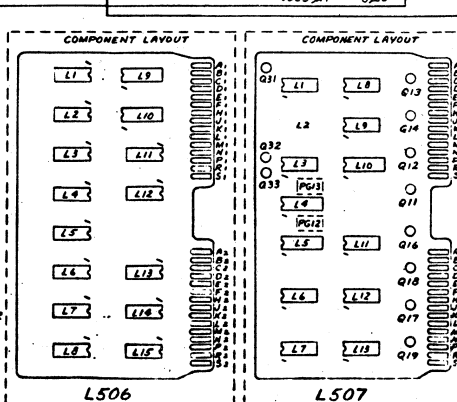
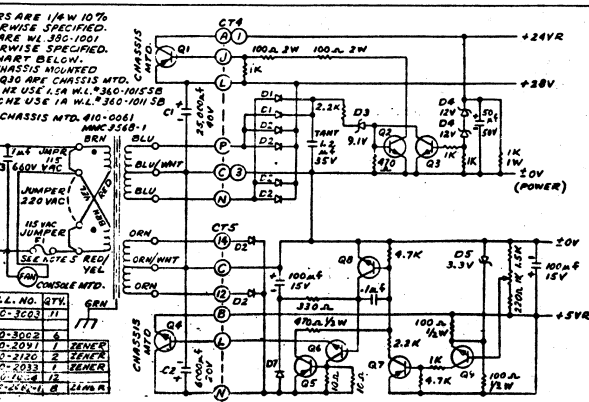
LIST OF PCB'S BY PERIPHERAL

MODEL 601/701/2201 6053 PWR SUPPLY CABLE	MODEL 609/709 343 L534 L535 L536 L537 L538 L540 L541 L542 6175 6235	MODEL 612/712/2212 6248 6249 6250 6288 6590	MODEL 629/729 343 L535 L537 L540 L542 L560 L561 L562 L563 L564 6175 6294	MODEL 641/741/2241 347 348 6331 6332 6333 6334 6335	MODEL 2263 7380 7381 7382 7383 7384 7385 7386 7387 7388 7389	MODEL 72 6568 6573 6574 6575 6576 6577 6578 6579 6704 6716 6727 6728 6734 6751 6772 7012 7028 7076/-1 7077 HEAT SINK PWR CIRCUIT CABLE
MODEL 602/702/2202 L506 L507 L507-1/L532 6035 6035-1 6035-2 6134 INPUT CABLE	MODEL 2209 352 6391 6394 6594 6595 6596 6598 6599 6230 CABLE	MODEL 514/614/714/2214 6125 6127 6127-1 6280 2214 CABLE	MODEL 630/730/2230 341 6295 6296 6297-1 6298 6299 6349 6398 DIABLO CABLE	MODEL 2242 352 6296 6297-1 6298 6390 6391 6392 6395 6399 MEMOREX CABLE MEMOREX LOGIC	WCS/2270 6718 7018/-1/-2 7218 SHUGART CABLE SHUGART LOGIC	MODEL 77 (2261W) 7030 7031 7035 7129 7130 7131 7132 7133 7134 7136 7137 7174 7175 7232 7239
MODEL 603/703 L509 L510 L511 L539 L546 F560-1 6284	MODEL 710 850 851 853 854 855 856 857 858 861 862 863 864 868 869 871	MODEL 618/718 5971 5972 5973 5974	MODEL 621/721/2221 6234 6360 TESTER 621/721 CABLE 2221 CABLE	MODEL 2243 352 6296 6297-1 6298 6399 6537 6538 6539 MEMOREX CABLE MEMOREX LOGIC	MODEL 2271/71P 7270 7271/-1 7272 7273 7274 7275 7276	MODEL 2272 6752 7070 7071 7072 7073 7074 7075
MODEL 2203 351 L545	MODEL 605/705 6117 6243	MODEL 622/722 6251 I/O CABLE	MODEL 623/723 6257 6258 6281	MODEL 632/732/2232 L565 6289 6290 6336 6337 6363	MODEL 2260 341 6295 6296 6297-1 6298 6299 6349 6398 6597 DIABLO CABLE	MODEL 2281 7143 7243 7343 7443
MODEL 704 5977 5978	MODEL 607/707 5992 5993 5994 5995 6255 6286	MODEL 624/724 6276 6281 I/O CABLE	MODEL 633/733 350 L574 L575 L576 L577 L578 6366	MODEL 637/737 352 6296 6297-1 6297-2 6298 6390 6391 6392 6395 6399 6537 6538 6539 MEMOREX CABLE MEMOREX LOGIC	MODEL 2282 7295 7296 7297 7298	MODEL UROM 6233 6247 6268
MODEL 708 335 6216	MODEL 611/711 L514 L515 L516 L517 L518 L519 L523 6021 6272 6273 P2 CABLE P5 CABLE I/O CABLE INPUT CABLE PWR SUPPLY	MODEL 2224 6542 6544 6545 6281	MODEL 640/740/2240 352 6296 6297-1 6297-2 6298 6390 6391 6392 6395 6399 6537 6538 6539 MEMOREX CABLE MEMOREX LOGIC	MODEL 2251 7091 7092 7184	MODEL 61/62 (2231) 6756 6760 Mod. 62 Only 6761 6762 7060 7157	MODEL TD24 6448 6558

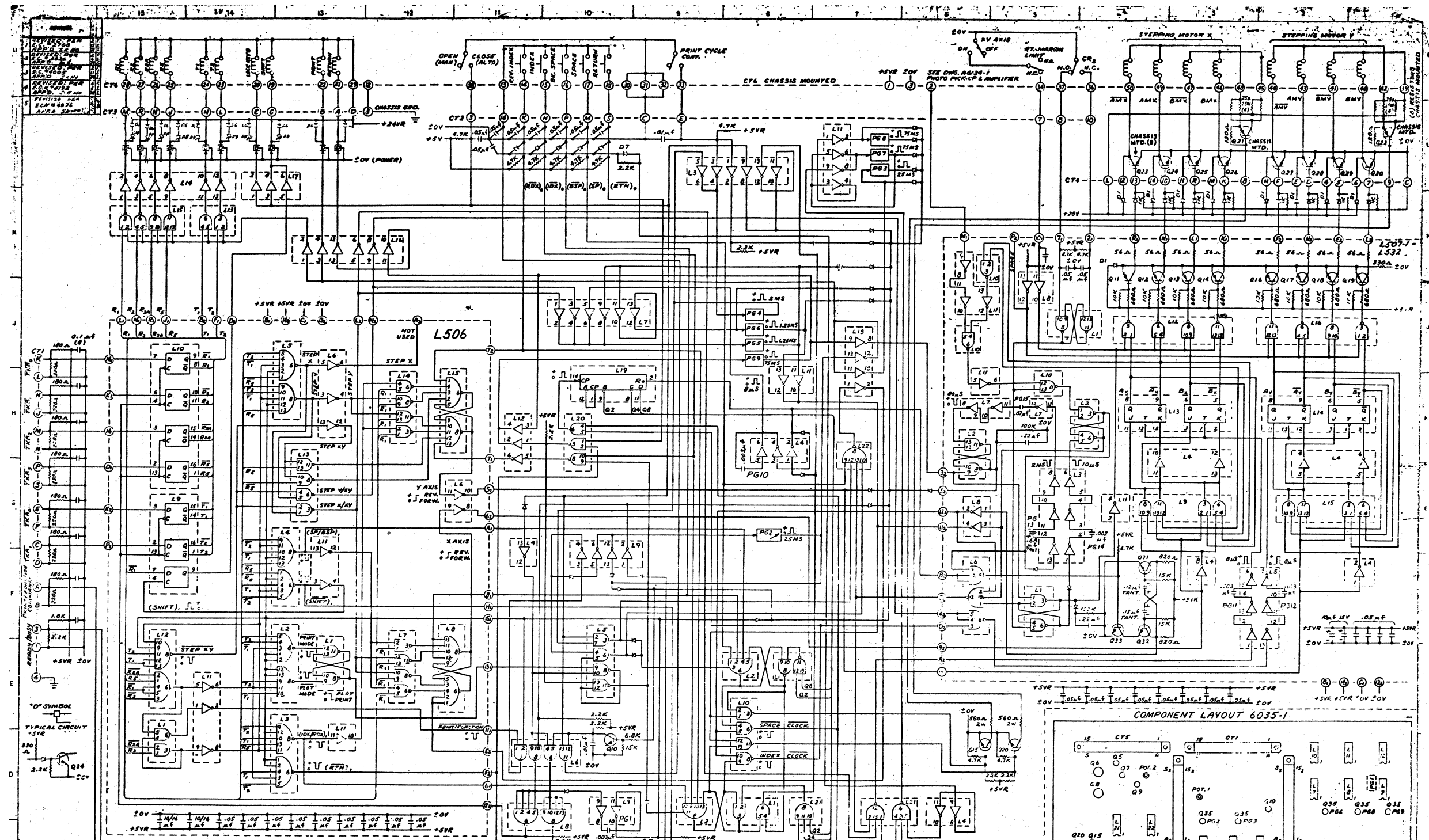


REVISION	DESCRIPTION
1	ISSUED PER...
2	...
3	...
4	...
5	...
6	...
7	...
8	...
9	...
10	...
11	...
12	...
13	...
14	...
15	...
16	...

NOTE:
 1. ALL RESISTORS ARE 1/4W 10% UNLESS OTHERWISE SPECIFIED.
 2. ALL DIODES ARE W.L. 350-1001 UNLESS OTHERWISE SPECIFIED. SEE DIODE CHART BELOW.
 3. C1, 2, 3 ARE CHASSIS MOUNTED.
 4. Q1, 2, 3 THROUGH Q10 ARE CHASSIS MTD.
 5. FOR 115VAC 60HZ USE 1/4W W.L. 340-1015B.
 6. FOR 220VAC SCHE USE 1/4W W.L. 340-1015B.
 7. 340-1015B IS A 1/4W 10% 15V ZENER.
 8. 340-1015B IS A 1/4W 10% 15V ZENER.
 9. 340-1015B IS A 1/4W 10% 15V ZENER.
 10. 340-1015B IS A 1/4W 10% 15V ZENER.



IC LOCATION	TYPE	W.L. NO.	TERM FOR	TERM FOR	QTY
L506	7410	376-0022	10	10	2
L507	7410	376-0022	10	10	2
L508	7410	376-0022	10	10	2
L509	7410	376-0022	10	10	2
L510	7410	376-0022	10	10	2
L511	7410	376-0022	10	10	2
L512	7410	376-0022	10	10	2
L513	7410	376-0022	10	10	2
L514	7410	376-0022	10	10	2
L515	7410	376-0022	10	10	2
L516	7410	376-0022	10	10	2
L517	7410	376-0022	10	10	2
L518	7410	376-0022	10	10	2
L519	7410	376-0022	10	10	2
L520	7410	376-0022	10	10	2
L521	7410	376-0022	10	10	2
L522	7410	376-0022	10	10	2
L523	7410	376-0022	10	10	2
L524	7410	376-0022	10	10	2
L525	7410	376-0022	10	10	2
L526	7410	376-0022	10	10	2
L527	7410	376-0022	10	10	2
L528	7410	376-0022	10	10	2
L529	7410	376-0022	10	10	2
L530	7410	376-0022	10	10	2
L531	7410	376-0022	10	10	2
L532	7410	376-0022	10	10	2
L533	7410	376-0022	10	10	2
L534	7410	376-0022	10	10	2
L535	7410	376-0022	10	10	2
L536	7410	376-0022	10	10	2
L537	7410	376-0022	10	10	2
L538	7410	376-0022	10	10	2
L539	7410	376-0022	10	10	2
L540	7410	376-0022	10	10	2
L541	7410	376-0022	10	10	2
L542	7410	376-0022	10	10	2
L543	7410	376-0022	10	10	2
L544	7410	376-0022	10	10	2
L545	7410	376-0022	10	10	2
L546	7410	376-0022	10	10	2
L547	7410	376-0022	10	10	2
L548	7410	376-0022	10	10	2
L549	7410	376-0022	10	10	2
L550	7410	376-0022	10	10	2
L551	7410	376-0022	10	10	2
L552	7410	376-0022	10	10	2
L553	7410	376-0022	10	10	2
L554	7410	376-0022	10	10	2
L555	7410	376-0022	10	10	2
L556	7410	376-0022	10	10	2
L557	7410	376-0022	10	10	2
L558	7410	376-0022	10	10	2
L559	7410	376-0022	10	10	2
L560	7410	376-0022	10	10	2
L561	7410	376-0022	10	10	2
L562	7410	376-0022	10	10	2
L563	7410	376-0022	10	10	2
L564	7410	376-0022	10	10	2
L565	7410	376-0022	10	10	2
L566	7410	376-0022	10	10	2
L567	7410	376-0022	10	10	2
L568	7410	376-0022	10	10	2
L569	7410	376-0022	10	10	2
L570	7410	376-0022	10	10	2
L571	7410	376-0022	10	10	2
L572	7410	376-0022	10	10	2
L573	7410	376-0022	10	10	2
L574	7410	376-0022	10	10	2
L575	7410	376-0022	10	10	2
L576	7410	376-0022	10	10	2
L577	7410	376-0022	10	10	2
L578	7410	376-0022	10	10	2
L579	7410	376-0022	10	10	2
L580	7410	376-0022	10	10	2
L581	7410	376-0022	10	10	2
L582	7410	376-0022	10	10	2
L583	7410	376-0022	10	10	2
L584	7410	376-0022	10	10	2
L585	7410	376-0022	10	10	2
L586	7410	376-0022	10	10	2
L587	7410	376-0022	10	10	2
L588	7410	376-0022	10	10	2
L589	7410	376-0022	10	10	2
L590	7410	376-0022	10	10	2
L591	7410	376-0022	10	10	2
L592	7410	376-0022	10	10	2
L593	7410	376-0022	10	10	2
L594	7410	376-0022	10	10	2
L595	7410	376-0022	10	10	2
L596	7410	376-0022	10	10	2
L597	7410	376-0022	10	10	2
L598	7410	376-0022	10	10	2
L599	7410	376-0022	10	10	2
L600	7410	376-0022	10	10	2
L601	7410	376-0022	10	10	2
L602	7410	376-0022	10	10	2
L603	7410	376-0022	10	10	2
L604	7410	376-0022	10	10	2
L605	7410	376-0022	10	10	2
L606	7410	376-0022	10	10	2
L607	7410	376-0022	10	10	2
L608	7410	376-0022	10	10	2
L609	7410	376-0022	10	10	2
L610	7410	376-0022	10	10	2
L611	7410	376-0022	10	10	2
L612	7410	376-0022	10	10	2
L613	7410	376-0022	10	10	2
L614	7410	376-0022	10	10	2
L615	7410	376-0022	10	10	2
L616	7410	376-0022	10	10	2
L617	7410	376-0022	10	10	2
L618	7410	376-0022	10	10	2
L619	7410	376-0022	10	10	2
L620	7410	376-0022	10	10	2
L621	7410	376-0022	10	10	2
L622	7410	376-0022	10	10	2
L623	7410	376-0022	10	10	2
L624	7410	376-0022	10	10	2
L625	7410	376-0022	10	10	2
L626	7410	376-0022	10	10	2
L627	7410	376-0022	10	10	2
L628	7410	376-0022	10	10	2
L629	7410	376-0022	10	10	2
L630	7410	376-0022	10	10	2
L631	7410	376-0022	10	10	2
L632	7410	376-0022	10	10	2
L633	7410	376-0022	10	10	2
L634	7410	376-0022	10	10	2
L635	7410	376-0022	10	10	2
L636	7410	376-0022	10	10	2
L637	7410	376-0022	10	10	2
L638	7410	376-0022	10	10	2
L639	7410	376-0022	10	10	2
L640	7410	376-0022	10	10	2
L641	7410	376-0022	10	10	2
L642	7410	376-0022	10	10	2
L643	7410	376-0022	10	10	2
L644	7410	376-0022	10	10	2
L645	7410	376-0022	10	10	2
L646	7410	376-0022	10	10	2
L647	7410	376-0022	10	10	2
L648	7410	376-0022	10	10	2
L649	7410	376-0022	10	10	2
L650	7410	376-0022	10	10	2
L651	7410	376-0022	10	10	2
L652	7410	376-0022	10	10	2
L653	7410	376-0022	10	10	2
L654	7410	376-0022	10	10	2
L655	7410	376-0022	10	10	2
L656	7410	376-0022	10	10	2
L657	7410	376-0022	10	10	2
L658	7410	376-0022	10	10	2
L659	7410	376-0022	10	10	2
L660	7410	376-0022	10	10	2
L661	7410	376-0022	10	10	2
L662	7410	376-0022	10	10	2
L663	7410	376-0022	10	10	2
L664	7410	376-0022	10	10	2
L665	7410	376-0022	10	10	2
L666	7410	376-0022	10	10	2
L667	7410	376-0022	10	10	2
L668	7410	376-0022	10	10	2
L669	7410	376-0022	10	10	2
L670	7410	376-0022	10	10	2
L671	7410	376-0022	10	10	2
L672	7410	376-0022	10	10	2
L673	7410	376-0022	10	10	2
L674	7410	376-0022	10	10	2
L675	7410	376-0022	10	10	2
L676	7410	376-0022	10	10	2
L677	7410	376-0022	10	10	2
L678	7410	376-0022	10	10	2
L679	7410	376-0022	10	10	2
L680	7410	376-0022	10	10	2
L681	7410	376-0022	10	10	2
L682	7410	376-0022	10	10	2
L683	7410	376-0022	10	10	2
L684	7410	376-0022	10		



NOTE:

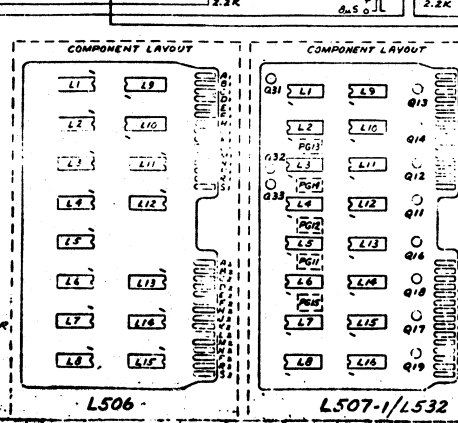
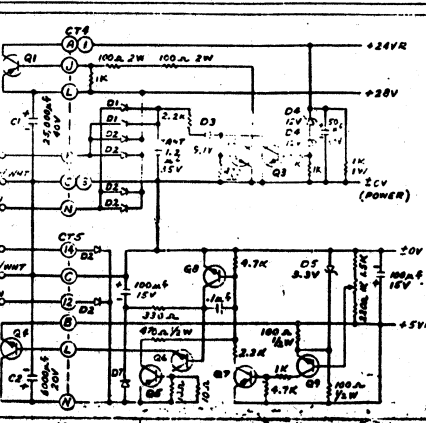
1. ALL RESISTORS ARE 1/4 W 10% UNLESS OTHERWISE SPECIFIED.
2. ALL DIODES ARE 1N20-100 UNLESS OTHERWISE SPECIFIED. SEE DIODE CHART BELOW.
3. CAP. 3 ARE CHASSIS MOUNTED.
4. Q1, Q2, Q3, Q4, Q5, Q6, Q7, Q8, Q9, Q10, Q11, Q12, Q13, Q14, Q15, Q16, Q17, Q18, Q19, Q20, Q21, Q22, Q23, Q24, Q25, Q26, Q27, Q28, Q29, Q30 ARE CHASSIS MOUNTED.
5. FOR SEMI USE 1N4001-1N4002 FOR SEMI USE 1N4001-1N4002.

CHASSIS MOUNTED:

- Q1, Q2, Q3, Q4, Q5, Q6, Q7, Q8, Q9, Q10, Q11, Q12, Q13, Q14, Q15, Q16, Q17, Q18, Q19, Q20, Q21, Q22, Q23, Q24, Q25, Q26, Q27, Q28, Q29, Q30

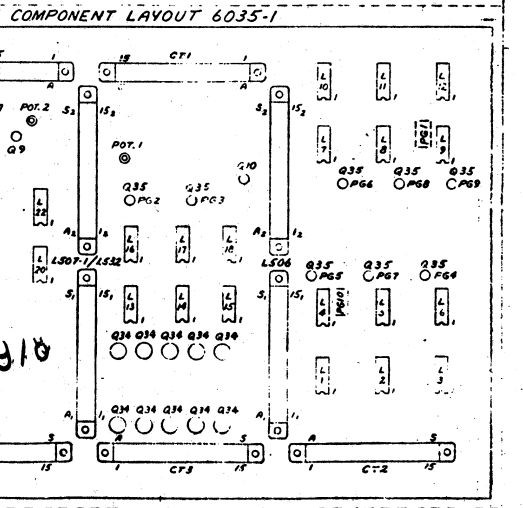
TYPEWIRE MOUNTED:

- L1, L2, L3, L4, L5, L6, L7, L8, L9, L10, L11, L12, L13, L14, L15, L16, L17, L18, L19, L20

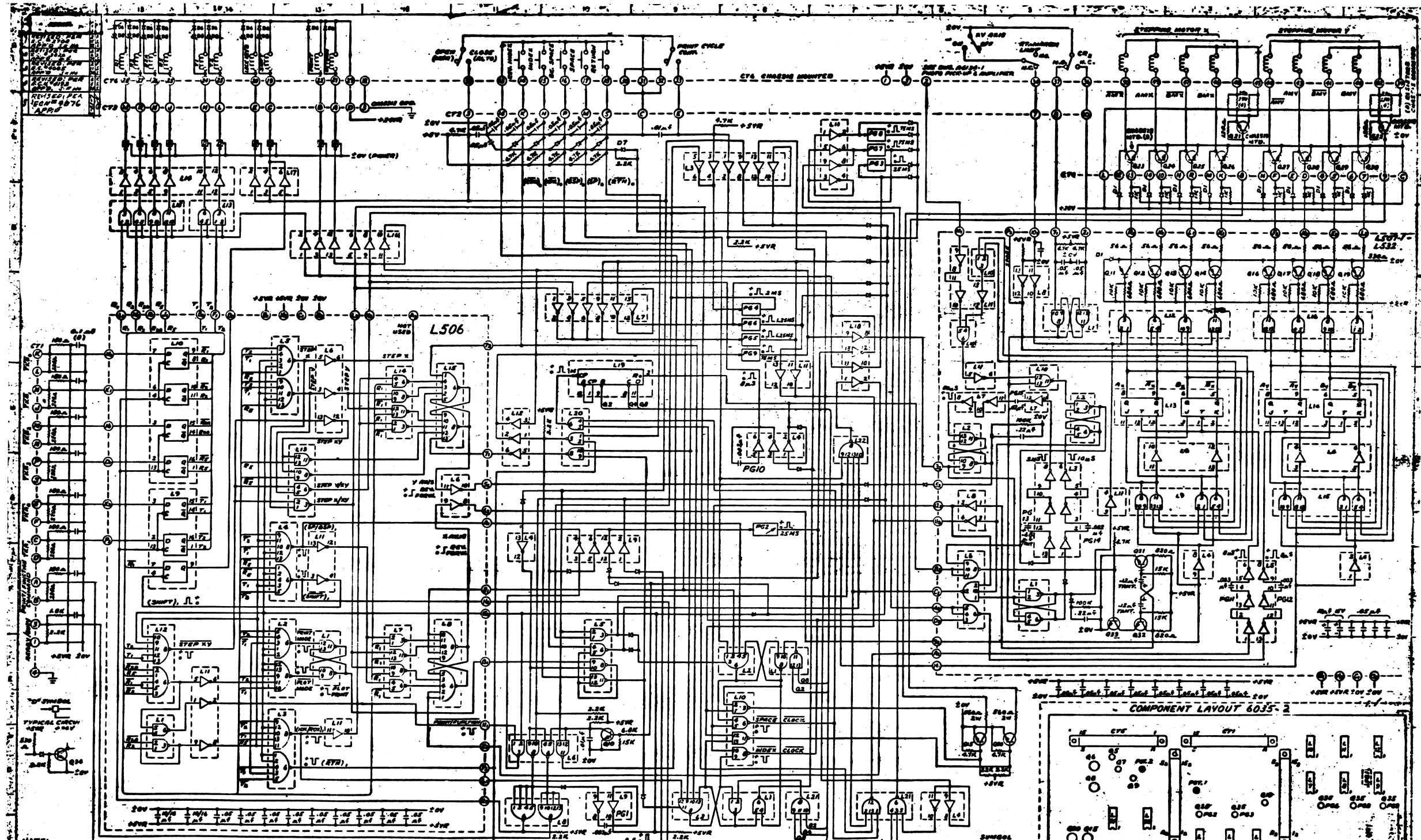


LOC. LOCATION	TYPE	W.L. NO.	FORM FOR TYPING	QTY
L1, L2, L3, L4, L5, L6, L7, L8, L9, L10, L11, L12, L13, L14, L15, L16, L17, L18, L19, L20	RESISTOR	9946, 9947, 9948, 9949, 9950, 9951, 9952, 9953, 9954, 9955, 9956, 9957, 9958, 9959, 9960, 9961, 9962, 9963, 9964, 9965, 9966, 9967, 9968, 9969, 9970, 9971, 9972, 9973, 9974, 9975, 9976, 9977, 9978, 9979, 9980, 9981, 9982, 9983, 9984, 9985, 9986, 9987, 9988, 9989, 9990, 9991, 9992, 9993, 9994, 9995, 9996, 9997, 9998, 9999, 10000	100-1000	1

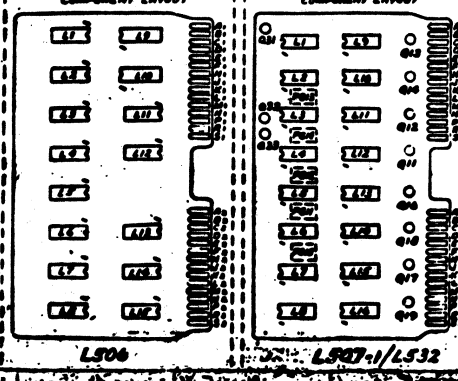
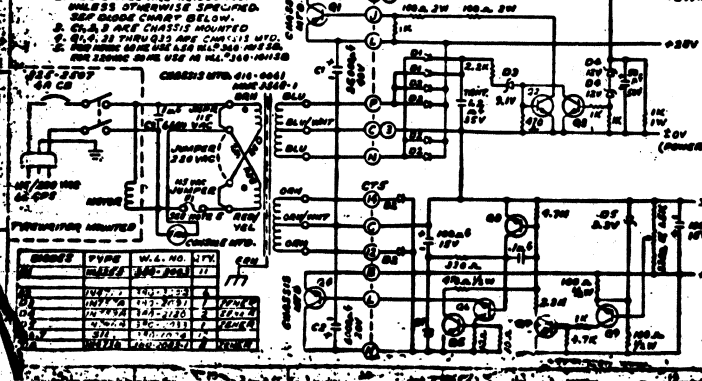
LOC. LOCATION	TYPE	W.L. NO.	FORM FOR TYPING	QTY
Q1, Q2, Q3, Q4, Q5, Q6, Q7, Q8, Q9, Q10, Q11, Q12, Q13, Q14, Q15, Q16, Q17, Q18, Q19, Q20, Q21, Q22, Q23, Q24, Q25, Q26, Q27, Q28, Q29, Q30	TRANSISTOR	9946, 9947, 9948, 9949, 9950, 9951, 9952, 9953, 9954, 9955, 9956, 9957, 9958, 9959, 9960, 9961, 9962, 9963, 9964, 9965, 9966, 9967, 9968, 9969, 9970, 9971, 9972, 9973, 9974, 9975, 9976, 9977, 9978, 9979, 9980, 9981, 9982, 9983, 9984, 9985, 9986, 9987, 9988, 9989, 9990, 9991, 9992, 9993, 9994, 9995, 9996, 9997, 9998, 9999, 10000	100-1000	1



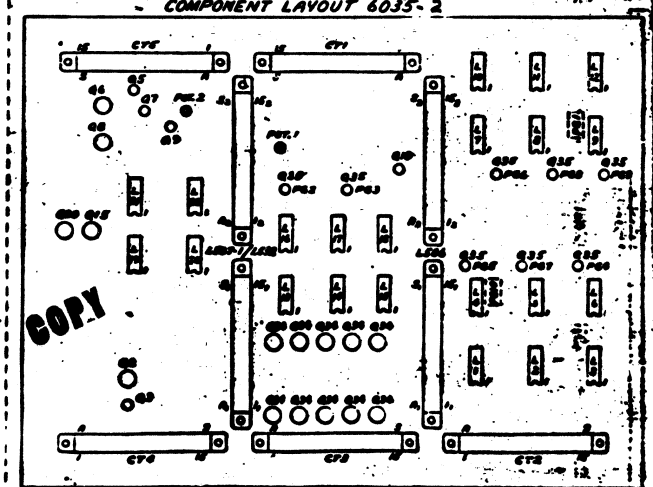
DEC 28 1970



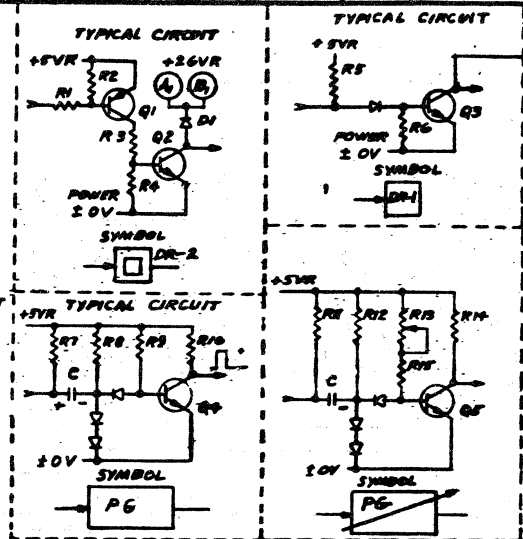
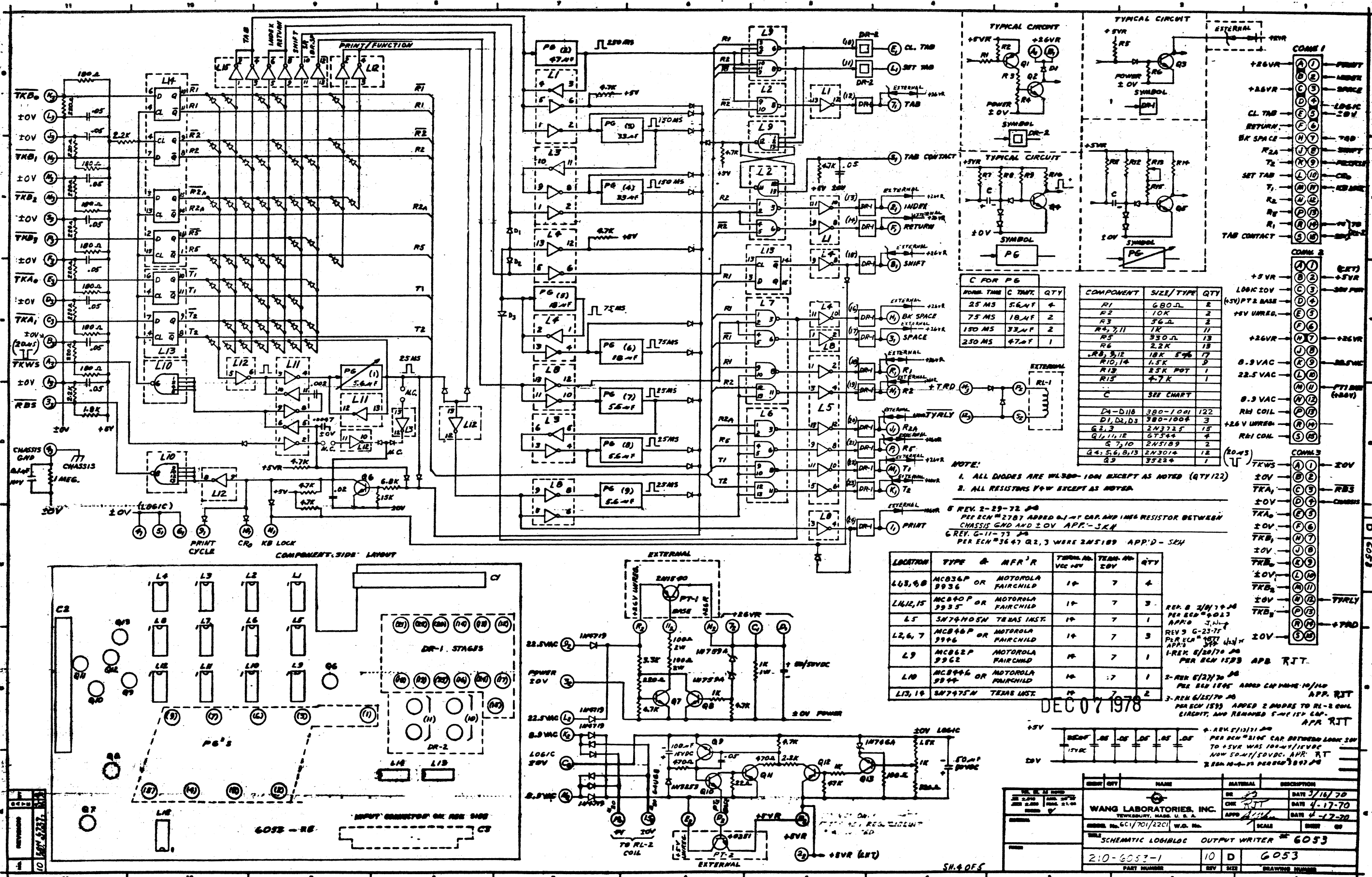
NOTE:
 1. ALL RESISTORS ARE 1/4W 10% UNLESS OTHERWISE SPECIFIED.
 2. ALL DIODES ARE 1N4001 UNLESS OTHERWISE SPECIFIED.
 3. CAPS ARE CHASSIS MOUNTED.
 4. ALL 20 THROUGH 100K CAPS ARE 50V.
 5. 100K AND 1M CAPS ARE 50V.
 6. 1M CAPS ARE 50V.
 7. 100K AND 1M CAPS ARE 50V.
 8. 100K AND 1M CAPS ARE 50V.



U.C. LOCATION	TYPE	QTY	W.L. NO.	TEST POINT	TEST POINT	TEST POINT
L506-1	7410	1	100-1001	10	10	10
L506-2	7410	1	100-1001	10	10	10
L506-3	7410	1	100-1001	10	10	10
L506-4	7410	1	100-1001	10	10	10
L506-5	7410	1	100-1001	10	10	10
L506-6	7410	1	100-1001	10	10	10
L506-7	7410	1	100-1001	10	10	10
L506-8	7410	1	100-1001	10	10	10
L506-9	7410	1	100-1001	10	10	10
L506-10	7410	1	100-1001	10	10	10
L506-11	7410	1	100-1001	10	10	10
L506-12	7410	1	100-1001	10	10	10
L506-13	7410	1	100-1001	10	10	10
L506-14	7410	1	100-1001	10	10	10
L506-15	7410	1	100-1001	10	10	10
L506-16	7410	1	100-1001	10	10	10
L506-17	7410	1	100-1001	10	10	10
L506-18	7410	1	100-1001	10	10	10
L506-19	7410	1	100-1001	10	10	10
L506-20	7410	1	100-1001	10	10	10
L506-21	7410	1	100-1001	10	10	10
L506-22	7410	1	100-1001	10	10	10
L506-23	7410	1	100-1001	10	10	10
L506-24	7410	1	100-1001	10	10	10
L506-25	7410	1	100-1001	10	10	10
L506-26	7410	1	100-1001	10	10	10
L506-27	7410	1	100-1001	10	10	10
L506-28	7410	1	100-1001	10	10	10
L506-29	7410	1	100-1001	10	10	10
L506-30	7410	1	100-1001	10	10	10
L506-31	7410	1	100-1001	10	10	10
L506-32	7410	1	100-1001	10	10	10
L506-33	7410	1	100-1001	10	10	10
L506-34	7410	1	100-1001	10	10	10
L506-35	7410	1	100-1001	10	10	10
L506-36	7410	1	100-1001	10	10	10
L506-37	7410	1	100-1001	10	10	10
L506-38	7410	1	100-1001	10	10	10
L506-39	7410	1	100-1001	10	10	10
L506-40	7410	1	100-1001	10	10	10
L506-41	7410	1	100-1001	10	10	10
L506-42	7410	1	100-1001	10	10	10
L506-43	7410	1	100-1001	10	10	10
L506-44	7410	1	100-1001	10	10	10
L506-45	7410	1	100-1001	10	10	10
L506-46	7410	1	100-1001	10	10	10
L506-47	7410	1	100-1001	10	10	10
L506-48	7410	1	100-1001	10	10	10
L506-49	7410	1	100-1001	10	10	10
L506-50	7410	1	100-1001	10	10	10
L506-51	7410	1	100-1001	10	10	10
L506-52	7410	1	100-1001	10	10	10
L506-53	7410	1	100-1001	10	10	10
L506-54	7410	1	100-1001	10	10	10
L506-55	7410	1	100-1001	10	10	10
L506-56	7410	1	100-1001	10	10	10
L506-57	7410	1	100-1001	10	10	10
L506-58	7410	1	100-1001	10	10	10
L506-59	7410	1	100-1001	10	10	10
L506-60	7410	1	100-1001	10	10	10
L506-61	7410	1	100-1001	10	10	10
L506-62	7410	1	100-1001	10	10	10
L506-63	7410	1	100-1001	10	10	10
L506-64	7410	1	100-1001	10	10	10
L506-65	7410	1	100-1001	10	10	10
L506-66	7410	1	100-1001	10	10	10
L506-67	7410	1	100-1001	10	10	10
L506-68	7410	1	100-1001	10	10	10
L506-69	7410	1	100-1001	10	10	10
L506-70	7410	1	100-1001	10	10	10
L506-71	7410	1	100-1001	10	10	10
L506-72	7410	1	100-1001	10	10	10
L506-73	7410	1	100-1001	10	10	10
L506-74	7410	1	100-1001	10	10	10
L506-75	7410	1	100-1001	10	10	10
L506-76	7410	1	100-1001	10	10	10
L506-77	7410	1	100-1001	10	10	10
L506-78	7410	1	100-1001	10	10	10
L506-79	7410	1	100-1001	10	10	10
L506-80	7410	1	100-1001	10	10	10
L506-81	7410	1	100-1001	10	10	10
L506-82	7410	1	100-1001	10	10	10
L506-83	7410	1	100-1001	10	10	10
L506-84	7410	1	100-1001	10	10	10
L506-85	7410	1	100-1001	10	10	10
L506-86	7410	1	100-1001	10	10	10
L506-87	7410	1	100-1001	10	10	10
L506-88	7410	1	100-1001	10	10	10
L506-89	7410	1	100-1001	10	10	10
L506-90	7410	1	100-1001	10	10	10
L506-91	7410	1	100-1001	10	10	10
L506-92	7410	1	100-1001	10	10	10
L506-93	7410	1	100-1001	10	10	10
L506-94	7410	1	100-1001	10	10	10
L506-95	7410	1	100-1001	10	10	10
L506-96	7410	1	100-1001	10	10	10
L506-97	7410	1	100-1001	10	10	10
L506-98	7410	1	100-1001	10	10	10
L506-99	7410	1	100-1001	10	10	10
L506-100	7410	1	100-1001	10	10	10



WANG
 6035-2/202
 6035-3/18



C FOR PG

WAVE TIME	C TIME	QTY
25 MS	5.6 nF	4
75 MS	18 nF	2
150 MS	33 nF	2
250 MS	47 nF	1

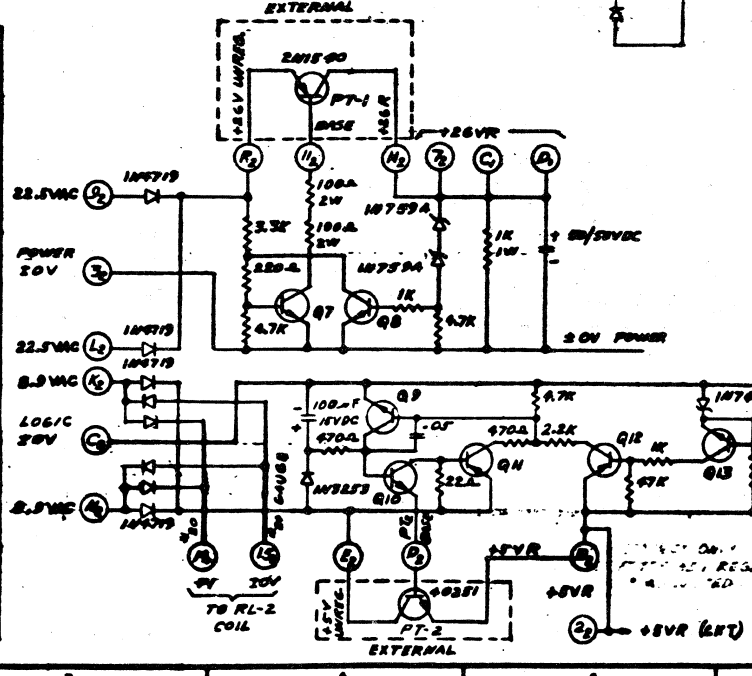
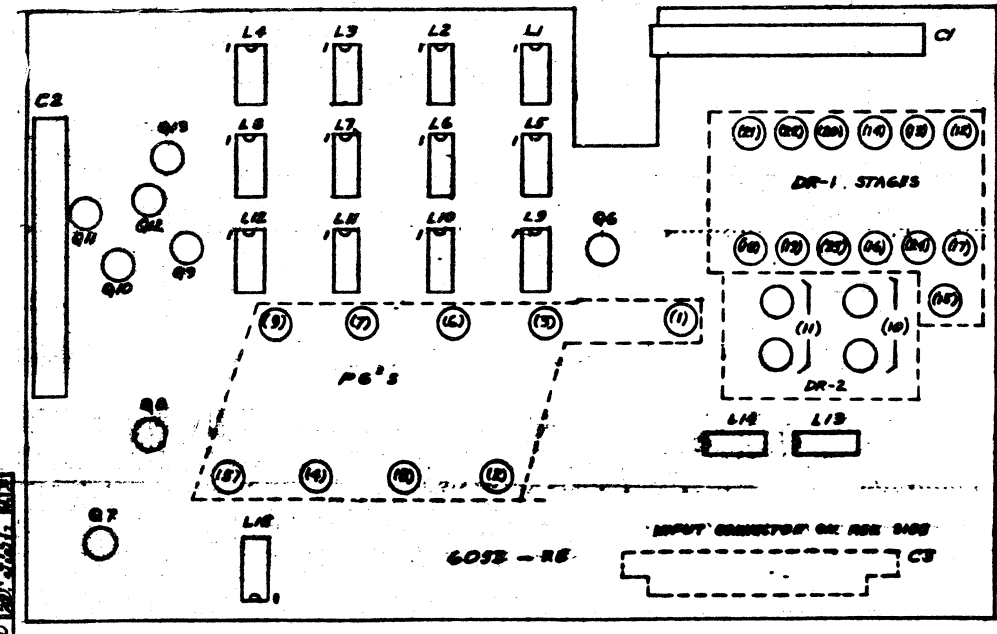
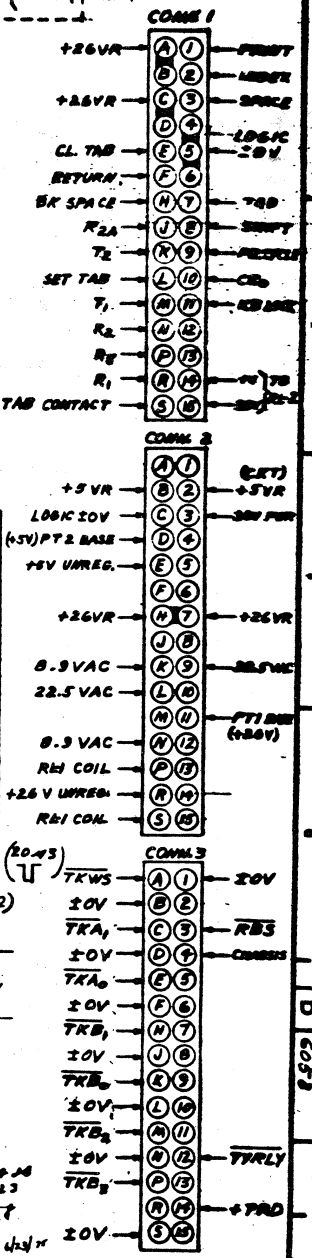
COMPONENT	SIZE/TYPE	QTY
R1	680 Ω	2
R2	10K	2
R3	56 Ω	2
R4, 7, 11	1K	11
R5	330 Ω	13
R6	2.2K	13
R8, 9, 12	18K 5% 1/2W	7
R10, 14	1.5K	3
R13	25K POT	1
R15	4.7K	1
C	SEE CHART	
D1-D11B	380-1001	122
D1, D2, D3	380-1004	3
G1, 2	2N2725	15
G1, 11, 12	6T54	4
G7, 10	2N5789	2
G4, 5, 6, 8, 13	2N3014	12
G5	3524	1

NOTE:
 1. ALL DIODES ARE W1300-100N EXCEPT AS NOTED (QTY/122)
 2. ALL RESISTORS 1%W EXCEPT AS NOTED
 5 REV. 2-29-72 40
 PER ECH #2781 ADDED 61-10T CAP. AND 1MΩ RESISTOR BETWEEN CHASSIS GND AND 2.0V APP. -SKH
 6 REV. 6-11-73 40
 PER ECH #3647 Q2, 3 WERE 2N5189 APP'D - SKH

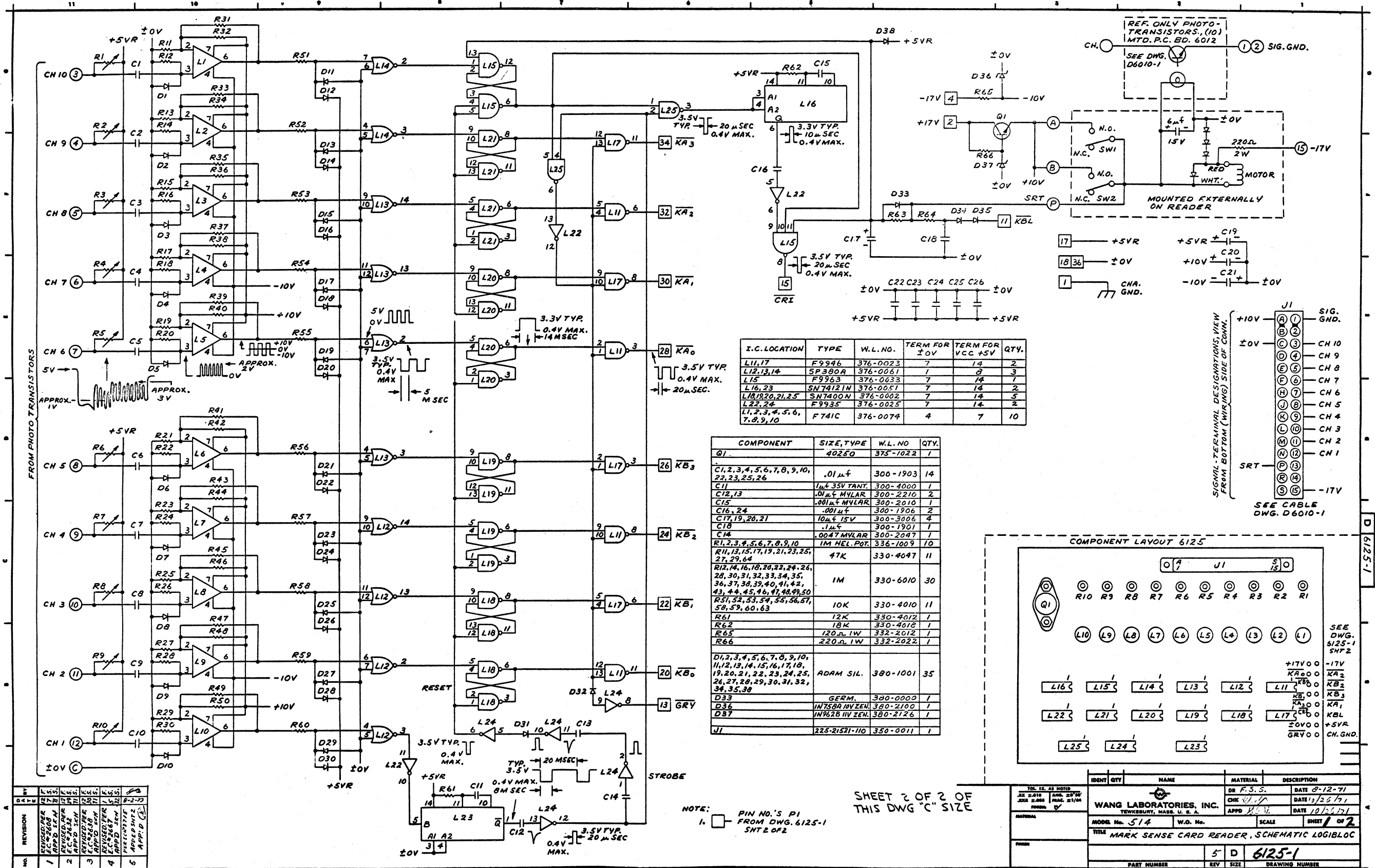
LOCATION	TYPE & MFR'R	TERMINAL VOLTAGE	TERMINAL CURRENT	QTY
L4, 6, 8	MC836P OR MOTOROLA 9936 FAIRCHILD	14	7	4
L4, 12, 15	MC840P OR MOTOROLA 9935 FAIRCHILD	14	7	3
L5	SN74H05M TEXAS INST.	14	7	1
L2, 6, 7	MC846P OR MOTOROLA 9946 FAIRCHILD	14	7	3
L9	MC862P OR MOTOROLA 9962 FAIRCHILD	14	7	1
L10	MC8946 OR MOTOROLA 9944 FAIRCHILD	14	7	1
L13, 14	SN7475M TEXAS INST.	14	7	2

DEC 07 1978

REV.	QTY	NAME	MATERIAL	DESCRIPTION
1	10	WANG LABORATORIES, INC.		DATE 3-16-70
2	10	DATE 4-17-70		
3	10	DATE 4-17-70		
SCHEMATIC LOGIC/DC OUTPUT WRITER 6053				
PART NUMBER		REV. SIZE		DRAWING NUMBER
210-6053-1		10 D		6053

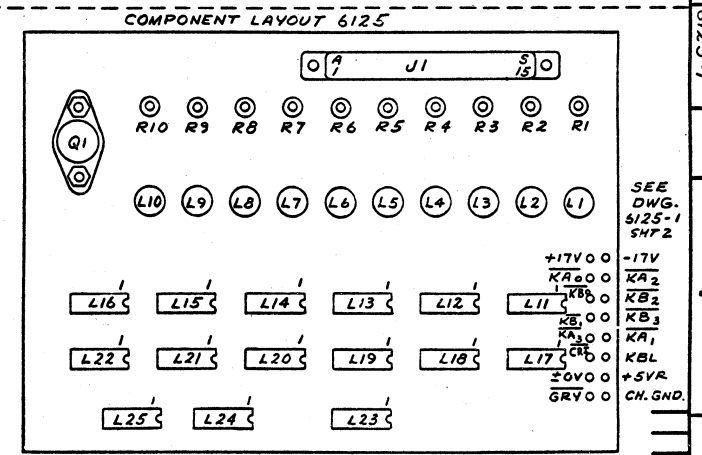


SH.4 OF 5



I.C. LOCATION	TYPE	W.L. NO.	TERM FOR ±0V	TERM FOR VCC +5V	QTY.
L11,17	F9946	376-0023	7	14	2
L12,13,14	5P380A	376-0061	1	2	3
L15	F9963	376-0033	7	14	1
L16,23	SN74121N	376-0051	7	14	2
L18,19,20,21,25	SN7400N	376-0002	7	14	5
L22,24	F9935	376-0025	7	14	2
L1,2,3,4,5,6,7,8,9,10	F741C	376-0074	4	7	10

COMPONENT	SIZE, TYPE	W.L. NO.	QTY.
Q1	40250	375-1022	1
C1,2,3,4,5,6,7,8,9,10,22,23,25,26	.01µf	300-1903	14
C11	1µf 35V TANT.	300-4000	1
C12,13	.01µf MYLAR	300-2210	2
C15	.001µf MYLAR	300-2010	1
C16,24	.001µf	300-1906	2
C17,19,20,21	10µf 15V	300-3006	4
C18	1µf	300-1901	1
C14	.0047 MYLAR	300-2047	1
R1,2,3,4,5,6,7,8,9,10	1M HEL.POT.	336-1009	10
R11,13,15,17,19,21,23,25,27,29,64	47K	330-4047	11
R12,14,16,18,20,22,24,26,28,30,31,32,33,34,35,36,37,38,39,40,41,42,43,44,45,46,47,48,49,50	1M	330-6010	30
R51,52,53,54,55,56,57,58,59,60,63	10K	330-4010	11
R61	12K	330-4012	1
R62	18K	330-4018	1
R65	120µ 1W	332-2012	1
R66	220µ 1W	332-2022	1
D1,2,3,4,5,6,7,8,9,10,11,12,13,14,15,16,17,18,19,20,21,22,23,24,25,26,27,28,29,30,31,32,34,35,38	ADAM SIL.	380-1001	35
D33	GERM.	380-0000	1
D36	IN758A INVZEN.	380-2100	1
D37	IN962B INV ZEN.	380-2126	1
J1	225-2151-110	350-0011	1



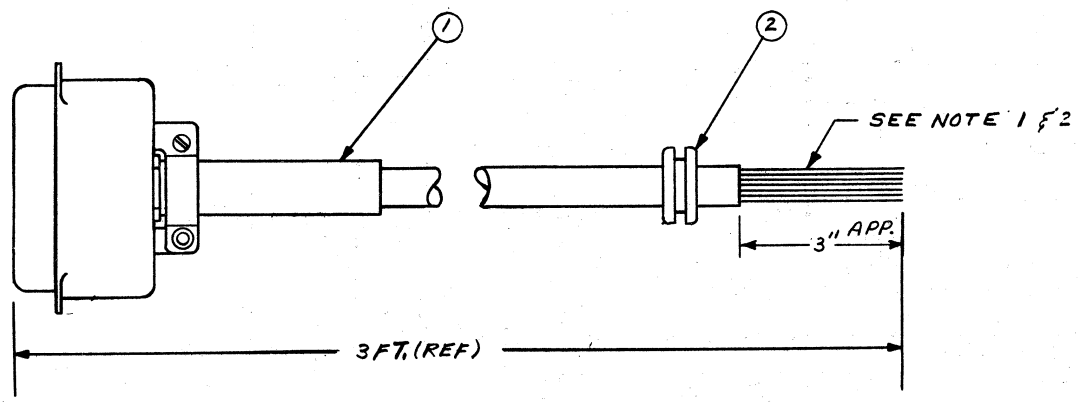
REV.	DESCRIPTION	DATE
1	DESIGNED BY	
2	APP'D BY	
3	REVISED BY	
4	REVISED BY	
5	REVISED BY	

NOTE: 1. PIN NO.'S P1 FROM DWG. 6125-1 SHEET 2 OF 2

SHEET 2 OF 2 OF THIS DWG "C" SIZE

IDENT	QTY	NAME	MATERIAL	DESCRIPTION
WANG LABORATORIES, INC.				
MODEL No. 514				
TITLE MARK SENSE CARD READER, SCHEMATIC LOGIBLOC				
PART NUMBER		REV	SIZE	DRAWING NUMBER
			5 D	6125-1

REVISIONS



ASSEMBLY	CABLE		
SIGNAL	SEE DWG. 6125-1 FOR S.P.	WIRE NO.	PIN NO.
CH.GND.	-	1	1
+17	-	2	2
		3	3
-17V	-	4	4
		5	5
		6	6
		7	7
		8	8
		9	9
		10	10
KBL	-	11	11
		12	12
GRY	-	13	13
		14	14
CRI	-	15	15
		16	16
+5VR	-	17	17
±0V	-	18	18

ASSEMBLY	CABLE		
SIGNAL	SEE DWG. 6125-1 FOR S.P.	WIRE NO.	PIN NO.
		19	19
KB ₀	-	20	20
		21	21
KB ₁	-	22	22
		23	23
KB ₂	-	24	24
		25	25
KB ₃	-	26	26
		27	27
KA ₀	-	28	28
		29	29
KA ₁	-	30	30
		31	31
KA ₂	-	32	32
		33	33
KA ₃	-	34	34
		35	35
±0V	-	36	36

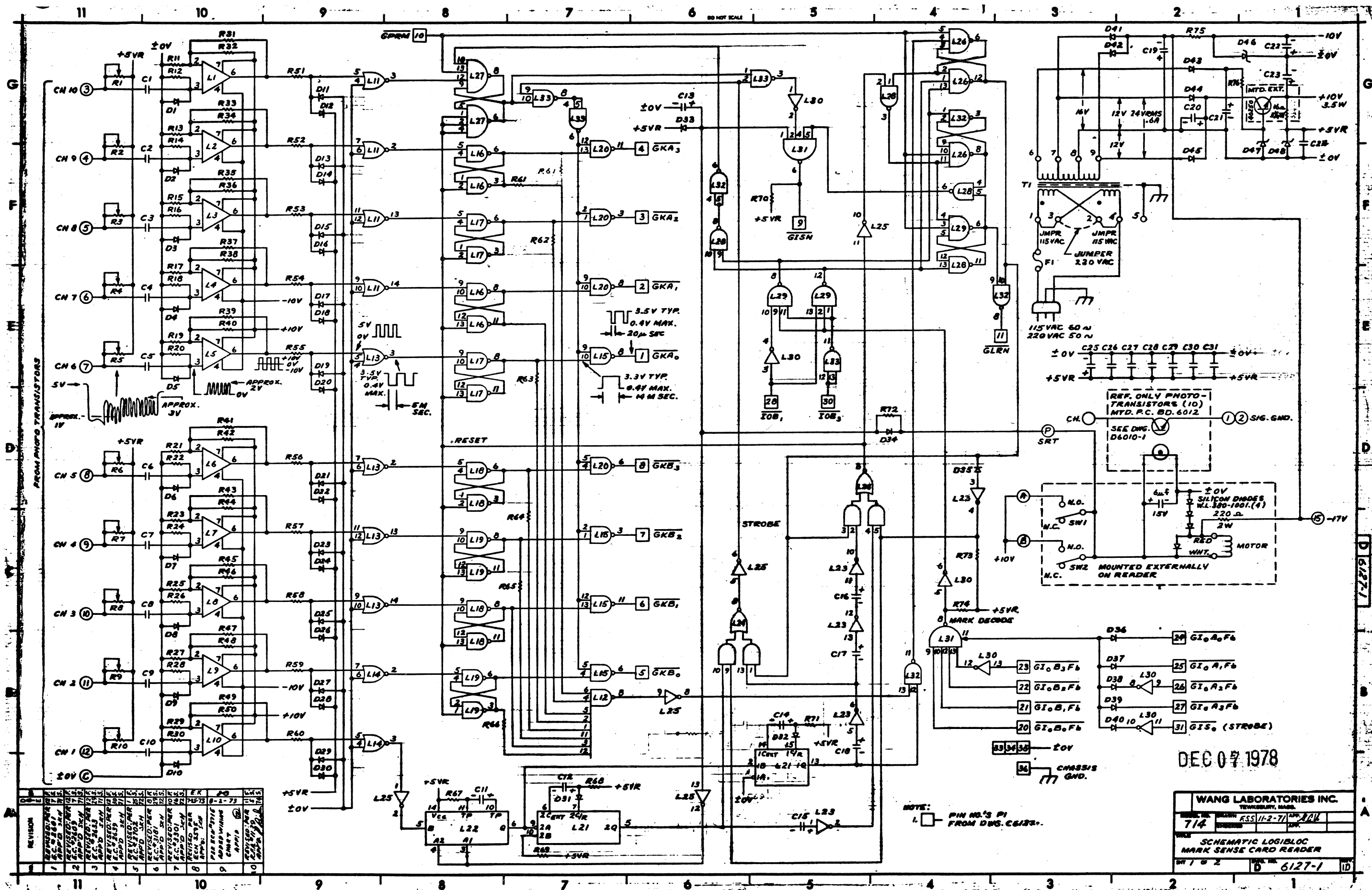
ITEM NO.	W.L. NO.	NAME	DESCRIPTION	QTY.
1	220-2636-3	CABLE ASSY TYPE 2	SEE DWG. CG482-2	1
2	254-1212	GROMMET	5/16 ID FOR 7/16 HOLE	1

NOTE:
 1. ASSEMBLE ITEM NO. 2 TO ITEM NO. 1 PRIOR TO WIRING, STRIP OUTER INSULATION OF ITEM NO. 1 TO DIM. SHOWN
 2. FOLD BACK ALL UNUSED WIRES AND TIE

SHEET 2 OF 2

WANG LABORATORIES INC.			
TEWKSBURY, MASS.			
MODEL NO.	DRAWN F.S.S. 10-20-71	APP. M.B.V.	
514	CHECKED	APP.	
TITLE			
MARK SENSE CARD READER INTER-CONNECTING CABLE TO 500 CALC.			
W.O. NO.	DWG. NO.	REV.	
	C 6125-1	5	

1-52190 ON 6125-1



FROM PHOTO TRANSISTORS

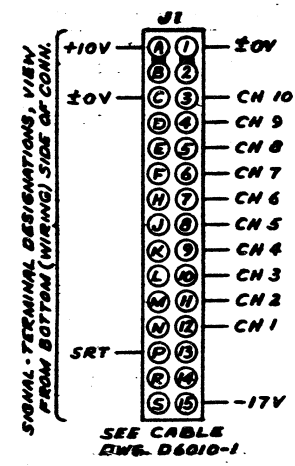
REV	DATE	BY	CHKD	DESCRIPTION
1	11-15-78
2
3
4
5
6
7
8
9
10

WANG LABORATORIES INC.
TROY, N.Y.

MODEL NO. **714** SERIAL NO. **ESS11-2-71** DATE **11/15/78**

**SCHEMATIC LOGICBLOC
MARK SENSE CARD READER**

DR 1 & 2 PART NO. **6127-1** ID

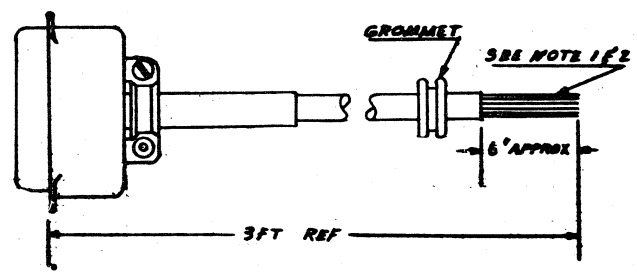


COMPONENT	SIZE, TYPE	W.L. NO.	QTY.
C1,2,3,4,5,6,7,8,9,10	.01µF 25V	300-1903	10
C11	1µF 100V	300-2290	1
C12	.0022µF 100V	300-2022	1
C13,23,24,25	10µF 15V	300-3006	4
C14,16,17	.0047µF 100V	300-2047	3
C15,18	.01µF 100V	300-2110	2
C19	500µF 25V	300-3021	1
C20	3000µF 15V	300-3015	1
C21	100µF 25V	300-3033	1
C22,26,27,28,29,30,31	.05µF 12V	300-1900	7
R1,2,3,4,5,6,7,8,9,10	1M HEL. POT.	336-1009	10
R11,13,15,17,19,21,23,25,27,29	47K 1/4W	330-4047	10
R12,14,16,18,20,22,24,26,28,30,31,32,33,34,35,36,37,38,39,40,41,42,43,44,45,46,47,48,49,50	1M 1/4W	330-6010	30
R51,52,53,54,55,56,57,58,59,60,72	10K 1/4W	330-4010	11
R61,62,63,64,65,66	2.7Ω 1/4W	330-3027	6
R67	18K 1/4W	330-4018	1
R68,71	39K 1/4W	330-4039	2
R69	5.6K 1/4W	330-3056	1
R70,74	4.7K 1/4W	330-3047	2
R73	1K 1/2W	331-3010	1
R75	120Ω 1/2W	331-2012	1
R76	220Ω 1W	332-2022	1

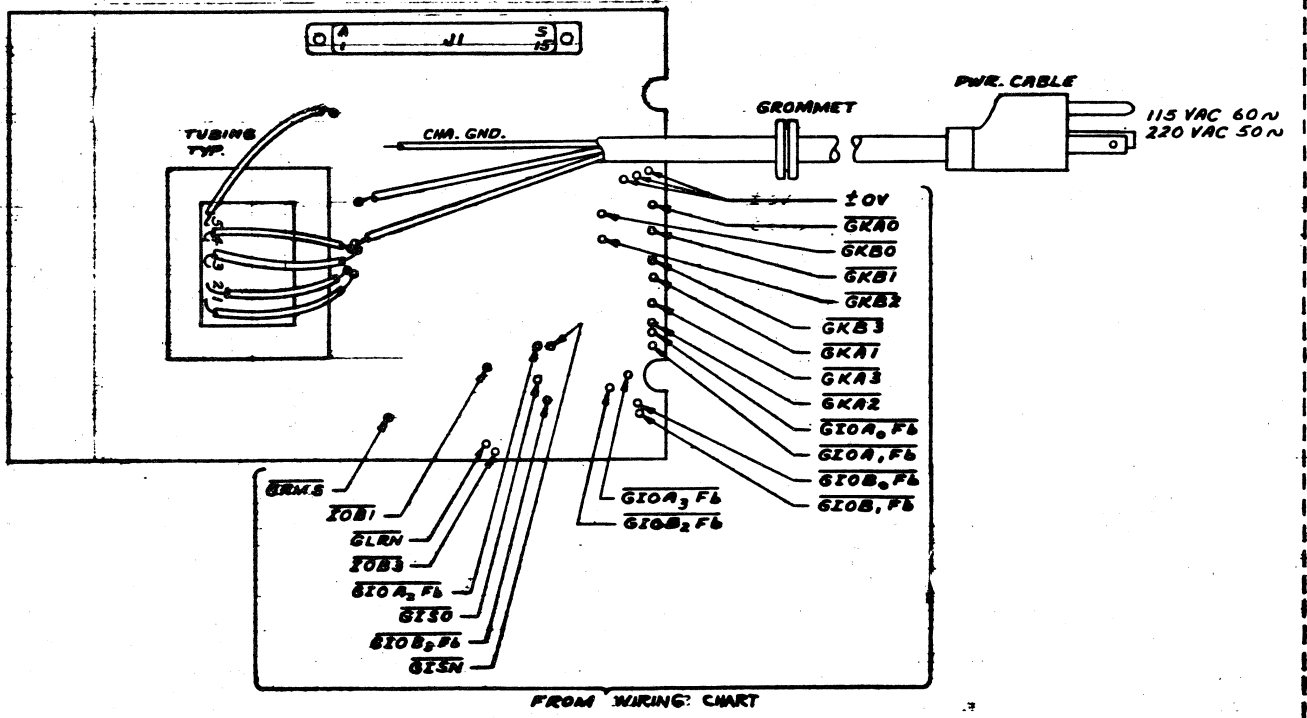
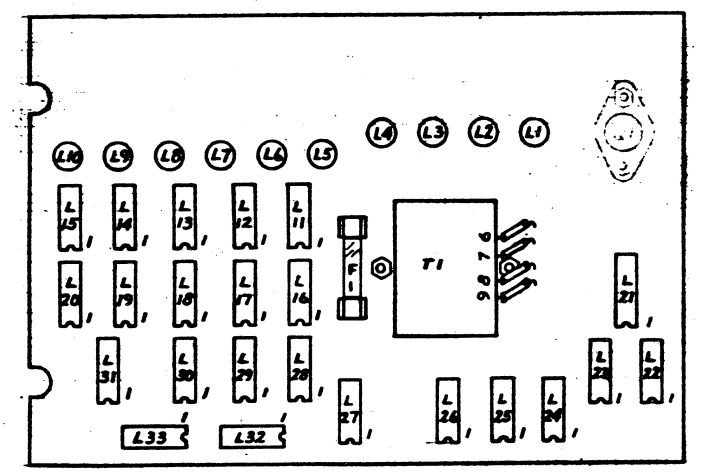
COMPONENT	SIZE, TYPE	W.L. NO.	QTY.
D1,2,3,4,5,6,7,8,9,10,11,12,13,14,15,16,17,18,19,20,21,22,23,24,25,26,27,28,29,30,31,32,33,34,37,38,39,40	ADAM SIL.	380-1001	38
D33,34	GERM	380-0000	2
D41,42,43,44,45	EM403 REC.	380-4000	5
D46	IN758A NYZEN	380-2100	1
D47	IN474 II VZEN	380-2110	1
D48	IN4733A SIVZEN	380-2052	1
T1	MMC4234	410-0071	1
J1	225-2152H110	350-0011	1
F1	6/10 AMP	360-1006	1
F1-CLIP	100-200-4A-1	360-0002	2
TUBING	#14 PVC	605-0011	NR
PWR. CABLE	3 COND. 6FT.	420-1000	1
GROMMET	3/8 ID FOR 1/2 IN	654-1202	2
CABLE ASSY TYPE 2	CG482-2	220-2636-3	1

L.C. LOCATION	TYPE	W.L. NO.	TERM FOR ±0V	TERM FOR VCC +5V	QTY.
L1,2,3,4,5,6,7,8,9,10	F741C	376-0074			10
L11,13,14	SP380A	376-0061		8	3
L12	SN7430N	376-0031	7	14	1
L15,20	F9946	376-0023	7	14	2
L16,17,18,19,28,32,33	SN7400N	376-0002	7	14	7
L21	SN74123N	376-0080	8	16	1
L22	SN74121N	376-0051	7	14	1
L23	F9935	376-0025	7	14	1
L24	SN7451N	376-0012	7	14	1
L25,30	SN7404N	376-0010	7	14	2
L26,29	SN7410N	376-0003	7	14	2
L27	SN7420N	376-0004	7	14	1
L31	F9944	376-0024	7	14	1

NOTE:-
 1. ASSEMBLE GROMMET TO CABLE PRIOR TO WIRING, STRIP OUTER INSULATION TO DIM. SHOWN.
 2. FOLD BACK ALL UNUSED WIRES AND TIE.



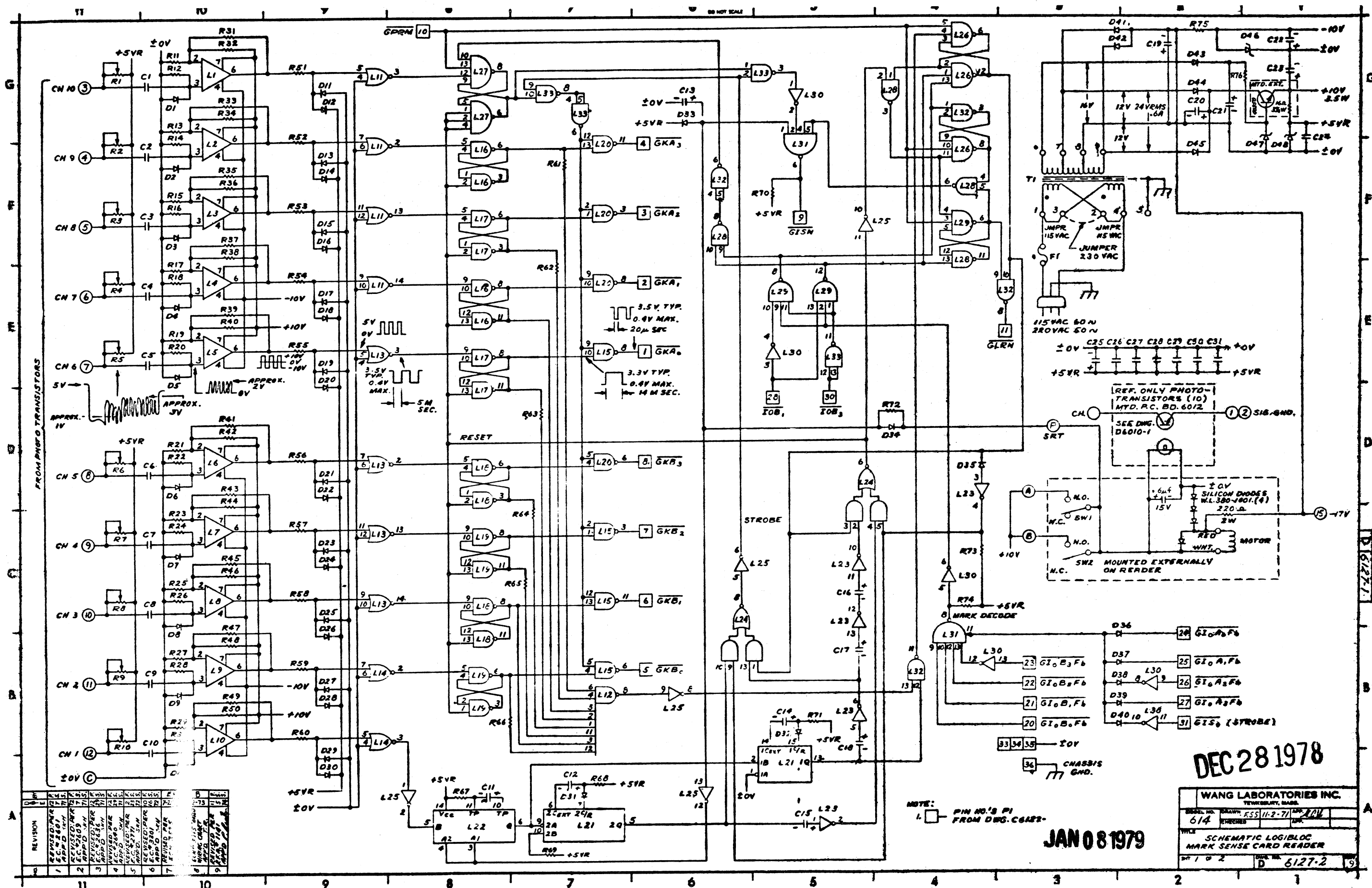
COMPONENT LAYOUT FOR 6127



CABLE WIRING CHART		
SIGNAL	WIRE NO. (REF.)	PIN NO. (REF.)
GKA0	1	1
GKA1	2	2
GKA2	3	3
GKA3	4	4
GKB0	5	5
GKB1	6	6
GKB2	7	7
GKB3	8	8
G10A1	9	9
G10A2	10	10
G10A3	11	11
G10B1	12	12
G10B2	13	13
G10B3	14	14
G10C1	15	15
G10C2	16	16
G10C3	17	17
CHA. GND.	18	18

DEC 07 1978

WANG LABORATORIES INC.
 TOWNSHIRE, MASS.
 DRAWN: FSS 11-5-71
 CHECKED: []
 SCHEMATIC LOGIBLOC MARK SENSE CARD READER
 D 6127-1



FROM PHOTO TRANSISTORS

REV	DATE	BY	CHKD	DESCRIPTION
1	11-2-77	ESS	...	REVISED PER...
2	11-2-77	REVISED PER...
3	11-2-77	REVISED PER...
4	11-2-77	REVISED PER...
5	11-2-77	REVISED PER...
6	11-2-77	REVISED PER...
7	11-2-77	REVISED PER...

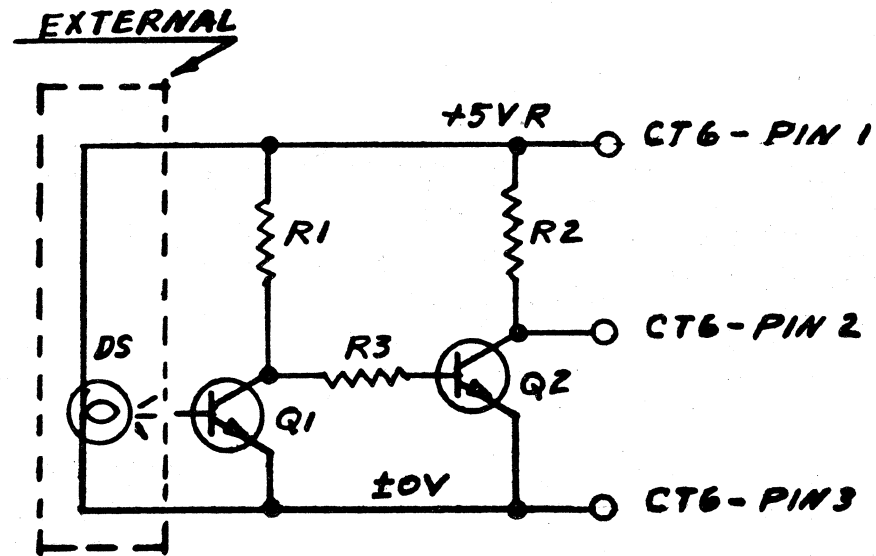
JAN 08 1979

DEC 28 1978

NOTE: 1. PIN NO.'S PI FROM DWG. C6A22-

WANG LABORATORIES INC.	
TOWERSVILLE, MARYLAND	
MODEL NO. 614	DATE: 11-2-77
TITLE: SCHEMATIC LOGIC BLOCK MARK SENSE CARD READER	
DRW: 614	DATE: 11-2-77
REV: 7	DATE: 11-2-77
DWG. NO. 6127-2	

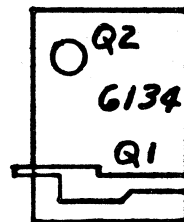
DO NOT SCALE



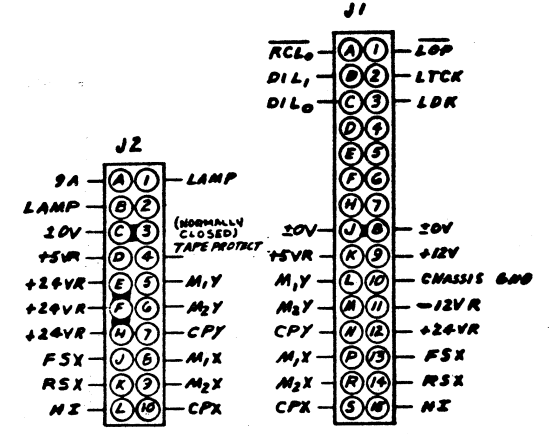
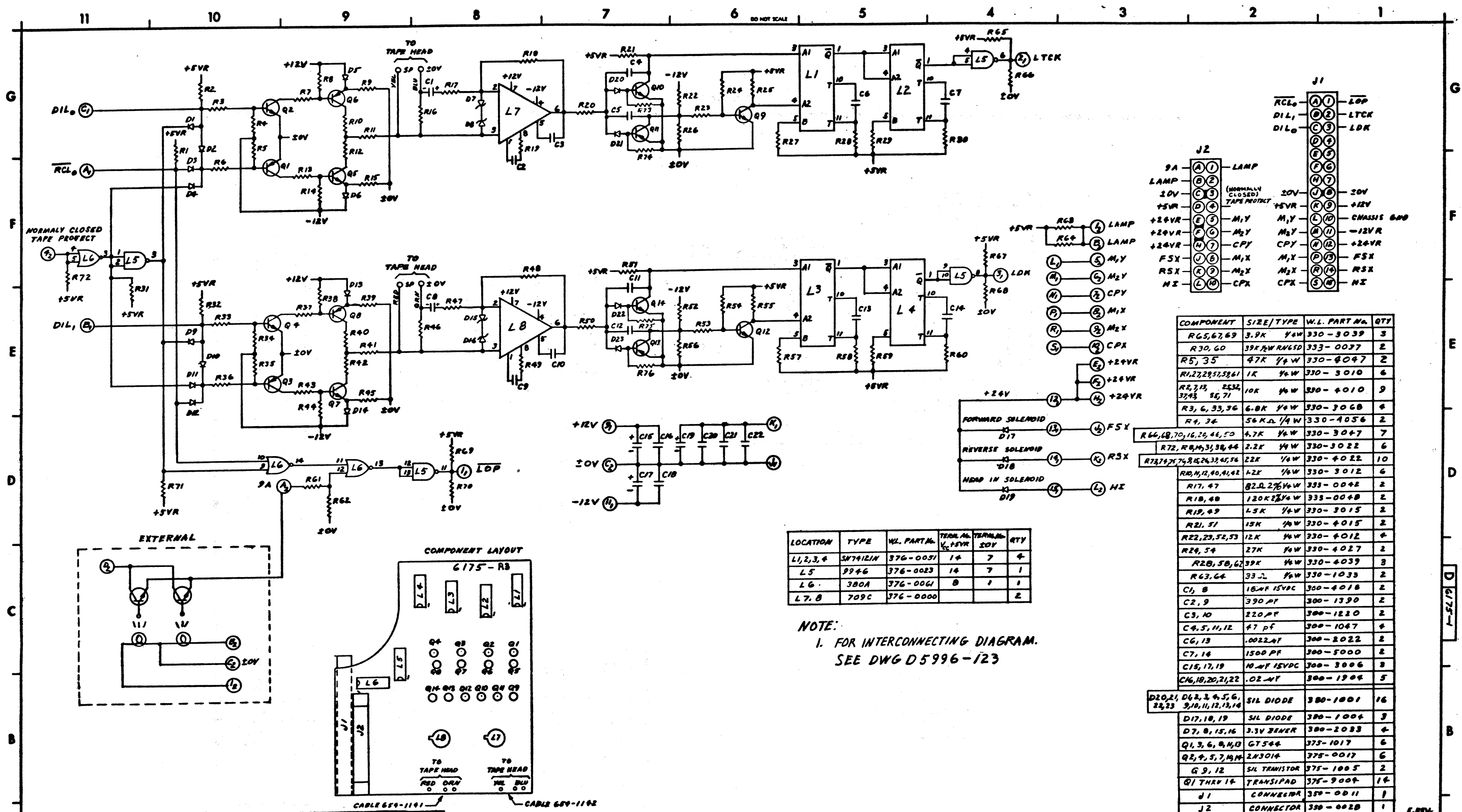
COMP.	SIZE/TYPE	WANG PART No.	QTY
R1	47K 1/4W	330-4047	1
R2	4.7K 1/4W	330-3047	1
Q1	6S5G3	375-2100	1
Q2	2N3014	375-0017	1
DS	#9 LAMP	370-0015	1
R3	10Ω 1/4W	330-1010	1

REV. 1 JB 2-12-73
PER RCN 3509 R3 WAS 47K APP.DSK

DEC 07 1978



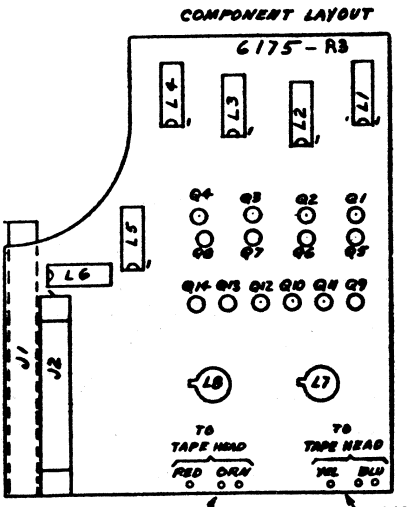
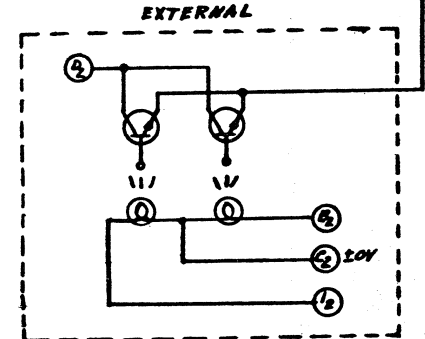
WANG LABORATORIES, INC. TEWKSBURY, MASS. U. S. A.			
MODEL NO. 602/702/ 2202	DRAWN <i>JB</i> CHECKED	9/20/71 APPD	12/3/71
TITLE SCHEMATIC, PHOTO-PICKUP AND #6134. AMPLIFIER FOR 702 PRINTER/PLOTTER			
W.O. NO.	SCALE <i>4x</i>	DWG. NO. A 6134-1	REV 1



COMPONENT	SIZE/TYPE	W.L. PART NO.	QTY
R65,67,69	3.9K 1/4W	330-3039	3
R30,60	39K 1/4W 1/2	333-0037	2
R5,35	47K 1/4W	330-4047	2
R1,27,29,51,58,61	1K 1/4W	330-3010	6
R2,7,15, 25,32,34,35, 56,71	10K 1/4W	330-4010	9
R3,6,33,36	6.8K 1/4W	330-3068	4
R4,34	56K 1/4W	330-4056	2
R44,48,70,16,25,44,50	4.7K 1/4W	330-3047	7
R72, R8, M3, 38, 44	2.2K 1/4W	330-3022	6
R73,74,75,76,84,26,33,45,56	22K 1/4W	330-4022	10
R10,12,40,41,42	1.2K 1/4W	330-3012	6
R17,47	82.2K 1/4W	333-0042	2
R18,48	120K 1/4W	333-0048	2
R19,49	4.5K 1/4W	330-3015	2
R21,51	15K 1/4W	330-4015	2
R22,23,52,53	12K 1/4W	330-4012	4
R24,54	27K 1/4W	330-4027	2
R28,58,62	39K 1/4W	330-4039	3
R63,64	33.2K 1/4W	330-1033	2
C1,8	18MFD 15VDC	300-4018	2
C2,9	390PF	300-1390	2
C3,10	220PF	300-1220	2
C4,5,11,12	47PF	300-1047	4
C6,13	.0022MFD	300-2022	2
C7,14	1500PF	300-5000	2
C15,17,19	10MFD 15VDC	300-3006	3
C16,18,20,21,22	.02MFD	300-1904	5
D20,21, D42, 2, 4, 5, 6, 24, 25	51L DIODE	300-1001	16
D17,18,19	51L DIODE	300-1004	3
D7,8,15,16	3.3V ZENER	300-2033	4
Q1,3,6,8,14,13	GT544	375-1017	6
Q2,4,5,7,19,18	2N3014	375-0017	6
Q9,12	51L TRANSISTOR	375-1005	2
Q1 THRU 14	TRANSIPAD	375-9004	14
J1	CONNECTOR	330-0011	1
J2	CONNECTOR	330-0028	1

LOCATION	TYPE	W.L. PART NO.	TERMINAL NO. +5VR	TERMINAL NO. 20V	QTY
L1,2,3,4	5N7412IN	376-0051	14	7	4
L5	8946	376-0023	14	7	1
L6	380A	376-0061	8	1	1
L7,8	709C	376-0000			2

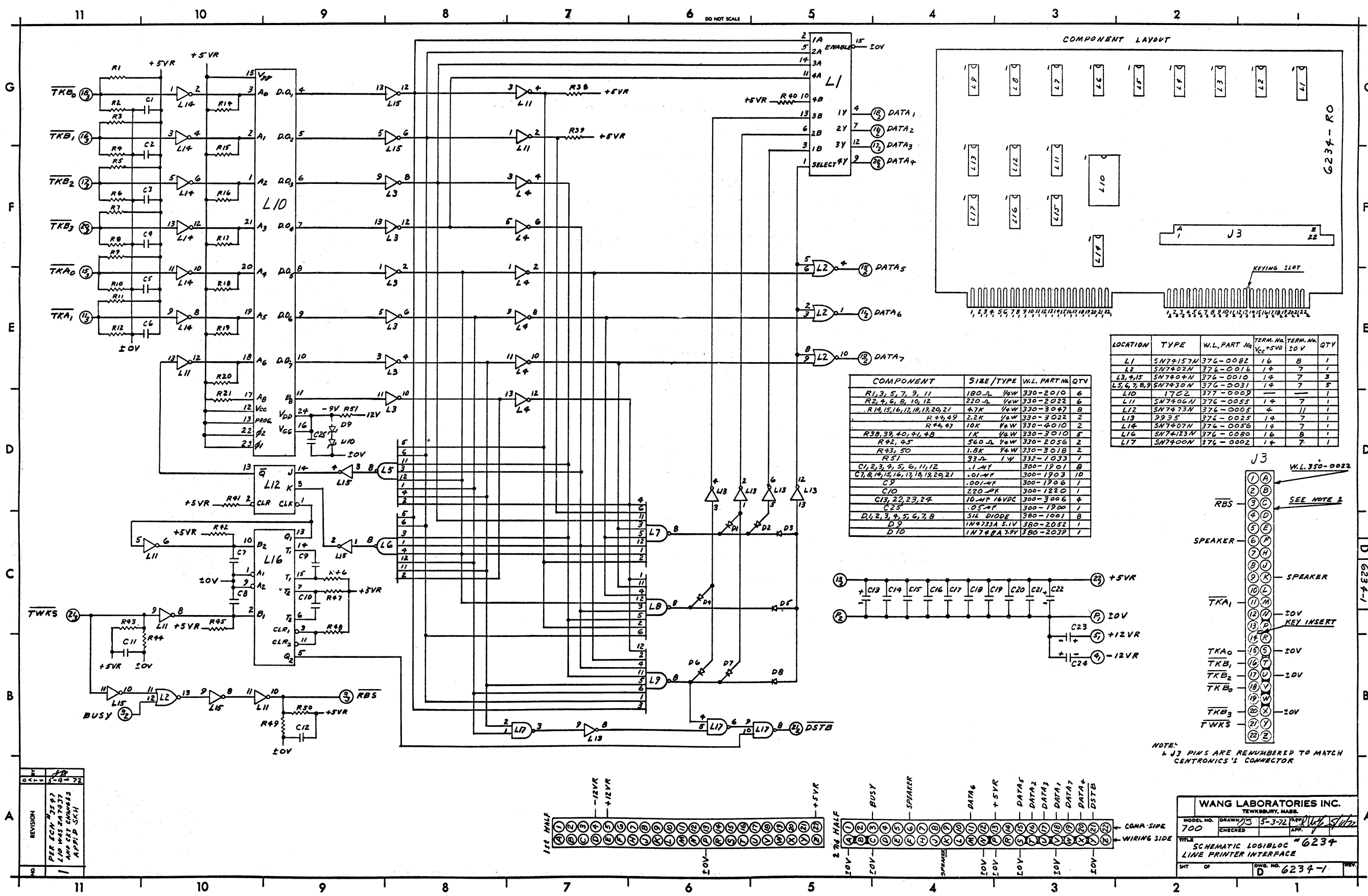
NOTE:
1. FOR INTERCONNECTING DIAGRAM.
SEE DWG D5996-123



REV.	DATE	BY	CHKD.	DESCRIPTION
1	10-20-72	WJS	WJS	REVISED PER
2	11-10-72	WJS	WJS	REVISED PER
3	12-07-72	WJS	WJS	REVISED PER
4	01-10-73	WJS	WJS	REVISED PER
5	02-15-73	WJS	WJS	REVISED PER
6	03-20-73	WJS	WJS	REVISED PER
7	04-10-73	WJS	WJS	REVISED PER
8	05-01-73	WJS	WJS	REVISED PER
9	06-01-73	WJS	WJS	REVISED PER
10	07-01-73	WJS	WJS	REVISED PER
11	08-01-73	WJS	WJS	REVISED PER
12	09-01-73	WJS	WJS	REVISED PER

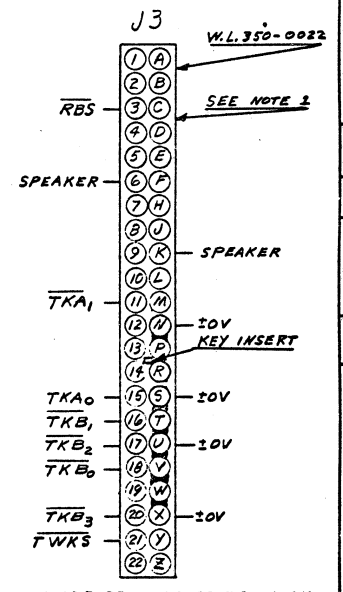
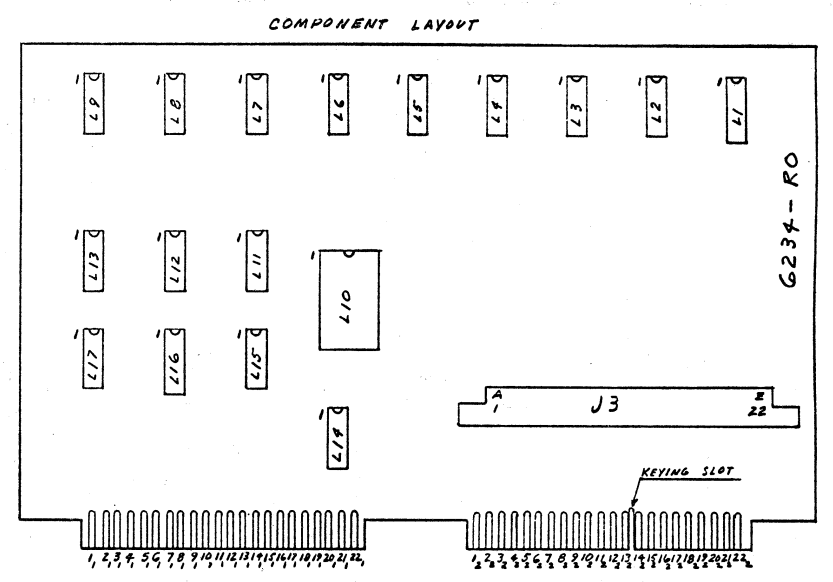
DEC 07 1978

WANG LABORATORIES INC.
TEWKSBURY, MASS.
MODEL NO. TD 24
DRAWN BY J.S. 12/9/77
CHECKED BY J.S. 12/9/77
DATE 12-24-77
SCALE 1:1
SHEET 1 OF 1
D 6175



COMPONENT	SIZE/TYPE	WL. PART NO.	QTY
R1, 3, 5, 7, 9, 11	180-Ω 1/4W	330-2010	6
R2, 4, 6, 8, 10, 12	220-Ω 1/4W	330-2022	6
R14, 15, 16, 17, 18, 19, 20, 21	47K 1/4W	330-3047	8
R22, 49	2.2K 1/4W	330-3022	2
R44, 47	10K 1/4W	330-4010	2
R38, 39, 40, 41, 48	1K 1/4W	330-3010	5
R42, 45	560-Ω 1/4W	330-2056	2
R43, 50	1.8K 1/4W	330-3018	2
R51	33-Ω 1W	332-1033	1
C1, 2, 3, 4, 5, 6, 11, 12	.1-μF	300-1901	8
C7, 8, 14, 15, 16, 17, 18, 19, 20, 21	.01-μF	300-1903	10
C9	.001-μF	300-1906	1
C10	220-pF	300-1220	1
C13, 22, 23, 24	10-μF 16VDC	300-3006	4
C25	.05-μF	300-1900	1
D1, 2, 3, 4, 5, 6, 7, 8	SIL DIODE	380-1001	8
D9	1N4733A 5.1V	380-2052	1
D10	1N748A 3.7V	380-2039	1

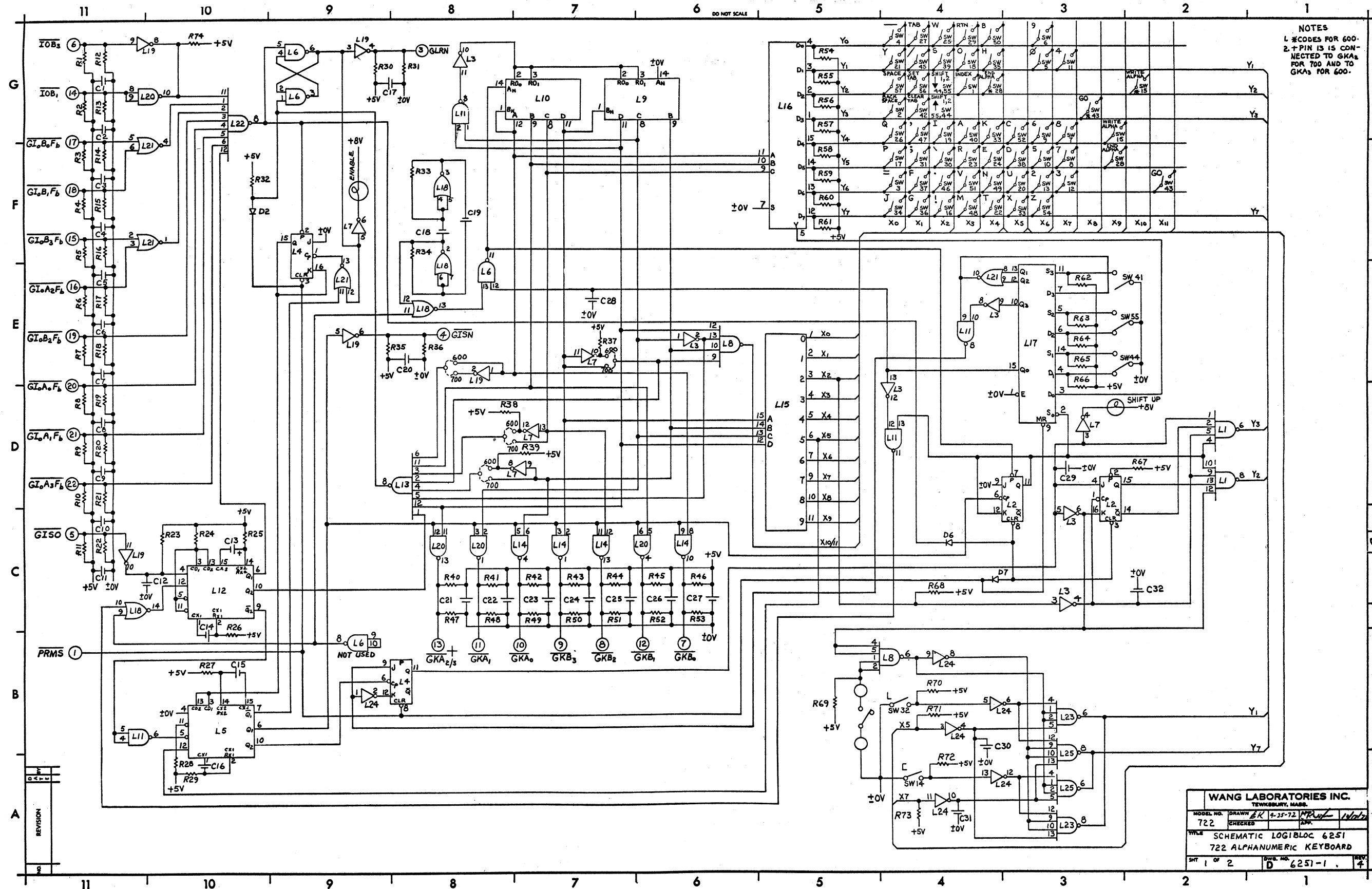
LOCATION	TYPE	W.L. PART NO.	TERM. NO. VCC +5V	TERM. NO. 10V	QTY
L1	SN74157N	376-0082	16	8	1
L2	SN7402N	376-0016	14	7	1
L3, 4, 15	SN7404N	376-0010	14	7	3
L5, 6, 7, 8, 9	SN7430N	376-0031	14	7	5
L10	17C2	377-0009	—	—	1
L11	SN7406N	376-0055	14	7	1
L12	SN7473N	376-0005	4	11	1
L13	7935	376-0025	14	7	1
L14	SN7407N	376-0056	14	7	1
L16	SN74123N	376-0080	16	7	1
L17	SN7400N	376-0002	14	7	1



NOTE: J3 PINS ARE RENUMBERED TO MATCH CENTRONICS'S CONNECTOR

REVISION	DATE	BY
1	1-9-72	...

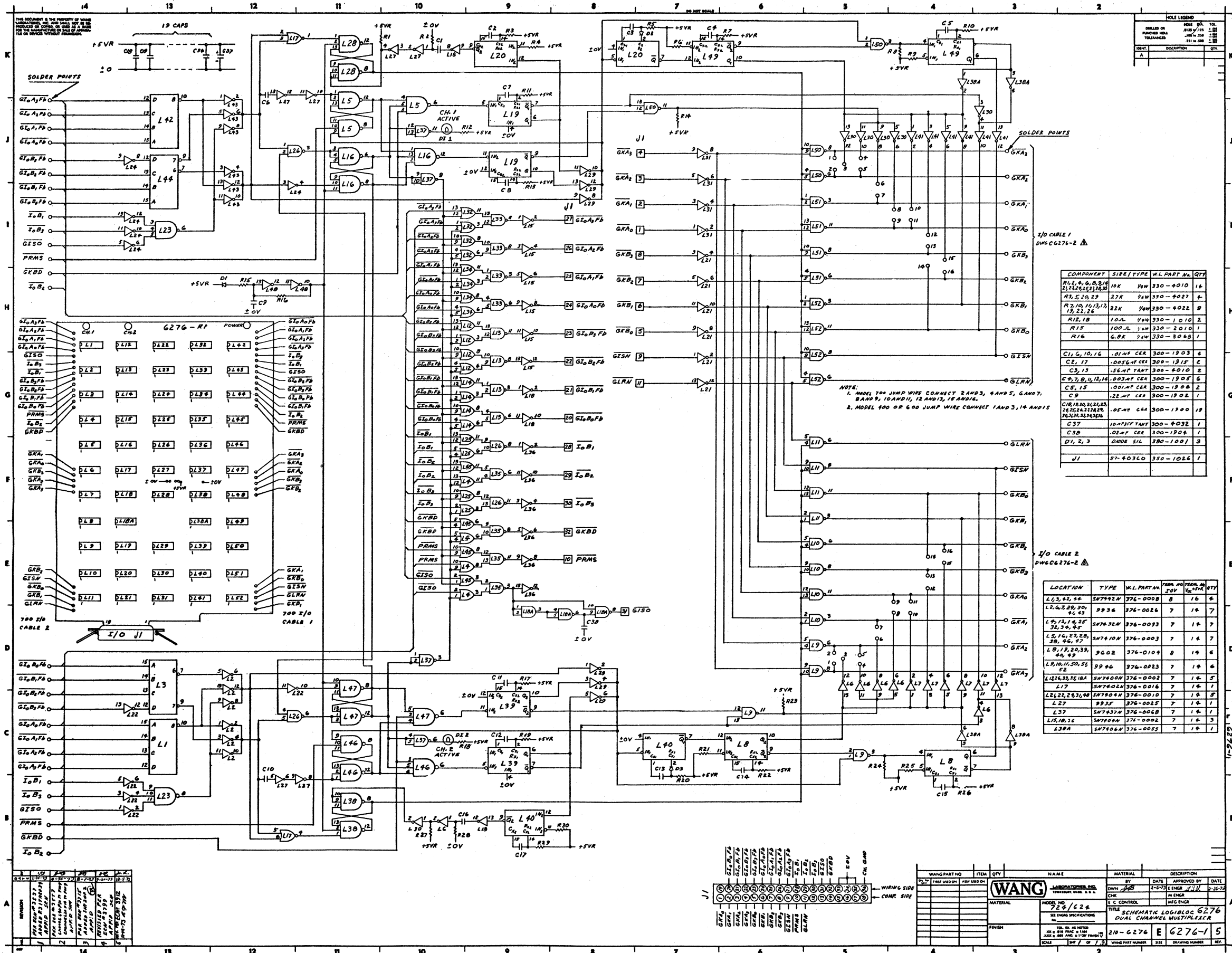
WANG LABORATORIES INC.
 MODEL NO. 700
 DRAWN BY 5-3-72
 CHECKED BY
 TITLE SCHEMATIC LOGIBLOC # 6234 LINE PRINTER INTERFACE
 SHEET OF 1
 DWG. NO. 6234-1



NOTES
 L #CODES FOR 600-
 2. +PIN 13 IS CON-
 NECTED TO GKA₃ FOR
 700 AND TO
 GKA₃ FOR 600.

WANG LABORATORIES INC.			
TEMPERLEY, MASS.			
MODEL NO. 722	DRAWN BY ER	DATE 4-25-72	APP. [Signature]
CHECKED [Signature]	TITLE SCHEMATIC LOGIBLOC 6251		
722 ALPHANUMERIC KEYBOARD			
SHT 1 OF 2	DATE 4-25-72	REV. NO. D	REV. 6251-1 4

REVISION	
1	



HOLE LEGEND

DRILL OR PUNCH DIA.	SIZE	NO.
1/16"	3/32"	1
1/8"	1/4"	2
3/16"	5/16"	3
1/4"	3/4"	4

COMPONENT LIST

COMPONENT	SIZE/TYPE	WL. PART NO.	QTY
R1, 2, 4, 6, 8, 21, 22, 24, 25, 26, 27	10K	376-0010	14
R3, 5, 20, 23	27K	376-0027	4
R7, 10, 11, 13, 17, 19, 22, 26	22K	376-0022	8
R12, 18	100Ω	376-0010	2
R15	100Ω	376-0010	1
R16	6.8K	376-0068	1
C1, 2, 10, 16	0.1μF CER	300-1903	4
C3, 17	0.05μF CER	300-1915	2
C9, 13	0.56μF TANT	300-6010	2
C4, 7, 8, 14, 15, 19	0.003μF CER	300-1905	6
C5, 15	0.01μF CER	300-1906	2
C9	22μF CER	300-1902	1
C10, 18, 20, 23, 25, 26, 27, 28, 29, 30, 31	0.05μF CER	300-1900	18
C37	10μF TANT	300-6032	1
C38	0.2μF CER	300-1904	1
D1, 2, 3	DIODE SIL	380-1001	3
J1	57-60360	350-1026	1

LOCATION TYPE WL. PART NO. FORM NO. FROM. IN. REV.

L1, 3, 42, 44	SP7442N	376-0008	8	16	6
L2, 4, 29, 30, 41, 43	SP336	376-0026	7	14	7
L9, 12, 14, 25, 26, 28, 45	SP7632M	376-0033	7	14	7
L5, 16, 23, 28, 38, 46, 47	SP7610M	376-0003	7	14	7
L8, 19, 20, 39, 40, 49	SP602	376-0109	8	16	6
L9, 10, 11, 30, 35, 36	SP46	376-0023	7	14	6
L12, 13, 35, 18A	SP7600M	376-0002	7	14	5
L17	SP7602M	376-0016	7	14	1
L21, 22, 23, 18B	SP7604M	376-0010	7	14	5
L27	SP335	376-0025	7	14	1
L37	SP7437M	376-0028	7	14	1
L15, 18, 16	SP7606M	376-0002	7	14	3
L38A	SP7406M	376-0033	7	14	1

WANG

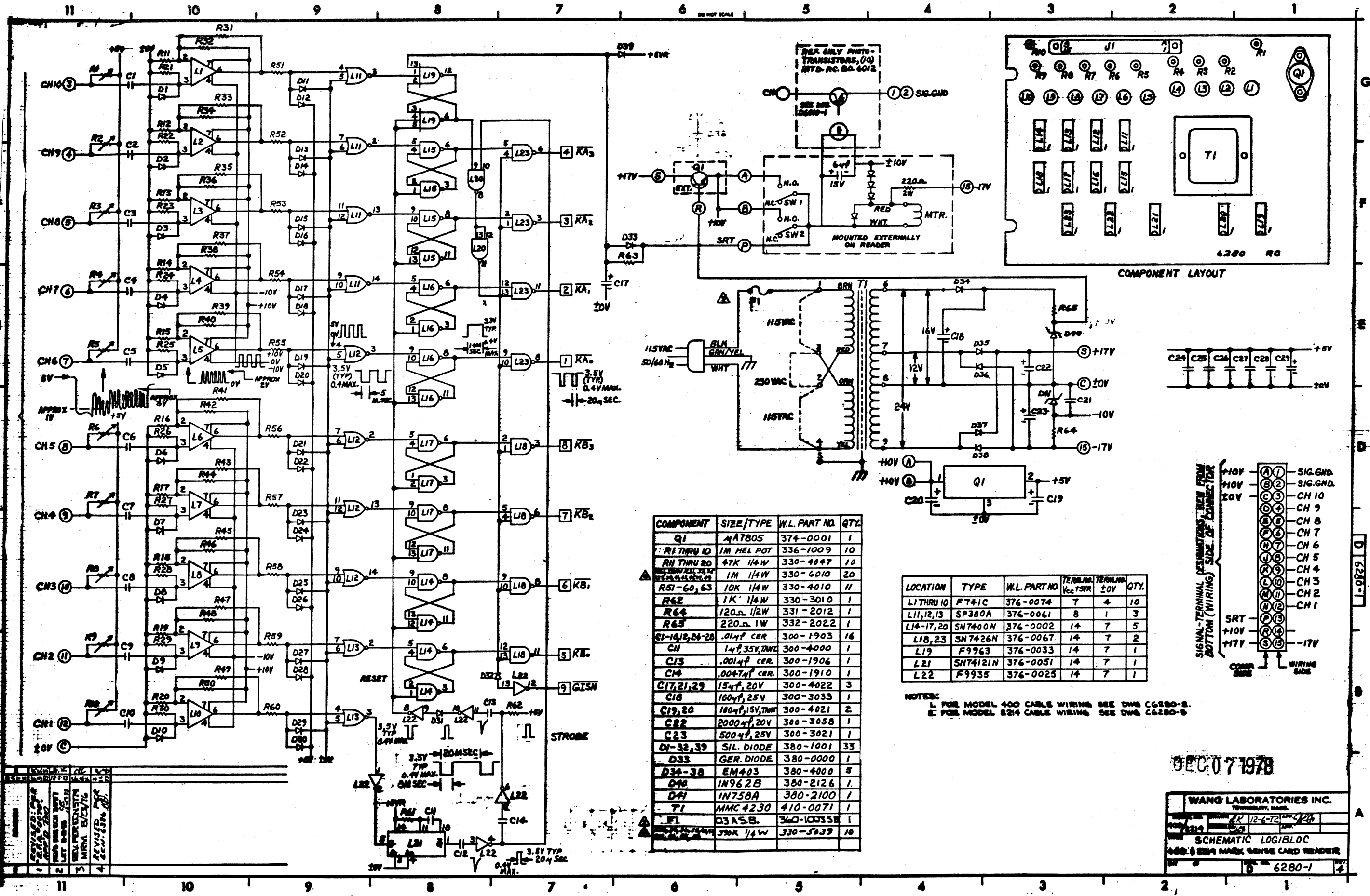
WANG PART NO.	ITEM	QTY	NAME	MATERIAL	DATE	APPROVED BY	DATE
214/C24	SCHEMATIC LOGIC LOGIC				2-26-74		

SCHEMATIC LOGIC LOGIC
DUAL CHANNEL MULTIPLIER

210-6276 E 6276-1 5

REVISION

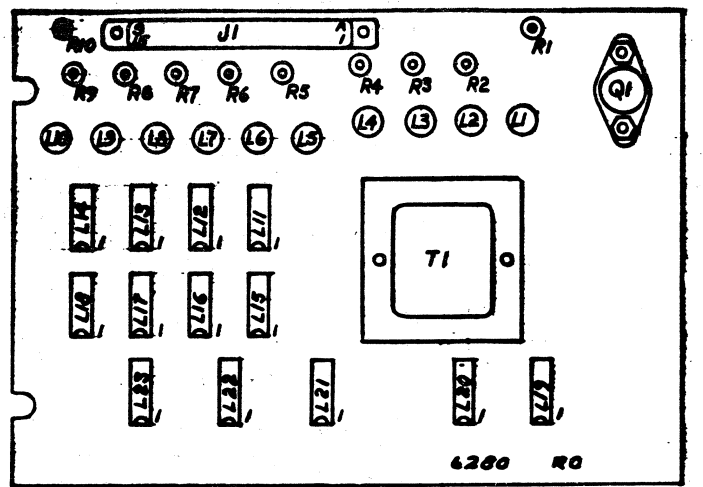
NO.	DATE	DESCRIPTION
1	1-15-74	ISSUED FOR FABRICATION
2	2-26-74	REVISED TO CORRECT FABRICATION ERRORS
3	2-26-74	REVISED TO CORRECT FABRICATION ERRORS
4	2-26-74	REVISED TO CORRECT FABRICATION ERRORS
5	2-26-74	REVISED TO CORRECT FABRICATION ERRORS
6	2-26-74	REVISED TO CORRECT FABRICATION ERRORS



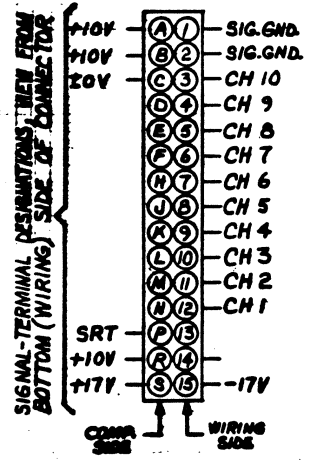
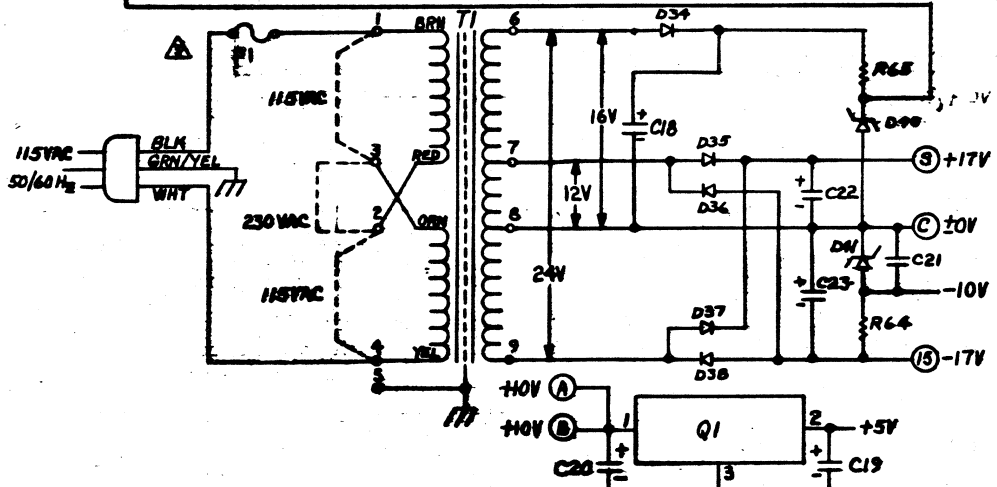
COMPONENT	SIZE/TYP	W.L. PART NO.	QTY.
Q1	4A7805	374-0001	1
R1 THRU R10	1M HEL POT	336-1009	10
R11 THRU R20	47K 1/4W	330-4047	10
R21, R22, R23	1M 1/4W	330-6010	20
R51-60, 63	10K 1/4W	330-4010	11
R62	1K 1/4W	330-3010	1
R64	120Ω 1/2W	331-2012	1
R65	220Ω 1W	332-2022	1
S1-16, 18, 24-28	.0149 CER	300-1903	16
C1	14F 35V TMC	300-4000	1
C13	.0014F CER.	300-1906	1
C14	.0047F CER.	300-1910	1
C17, 21, 29	154F 20V	300-4022	3
C18	1004F 25V	300-3033	1
C19, 20	1804F 15V TMC	300-4021	2
C22	22004F 20V	300-3058	1
C23	5004F 25V	300-3021	1
D1-32, 33	SIL. DIODE	380-1001	33
D33	GER. DIODE	380-0000	1
D34-38	EM403	380-4000	5
D40	1N962B	380-2126	1
D41	1N758A	380-2100	1
T1	MMC 4230	410-0071	1
F1	03A.S.B.	360-10035B	1
L1 THRU L10	570K 1/4W	330-5039	10

LOCATION	TYPE	W.L. PART NO.	TERMS. NO.	TERMS. NO. Vcc ±5V	±0V	QTY.
L1 THRU L10	F741C	376-0074	7	4	10	
L11-17, 20	SN7400N	376-0002	14	7	5	
L18, 23	SN7426N	376-0067	14	7	2	
L19	F9963	376-0033	14	7	1	
L21	SN74121N	376-0051	14	7	1	
L22	F9935	376-0025	14	7	1	

NOTES:
 L FOR MODEL 400 CABLE WIRING SEE DWG C6280-2.
 E FOR MODEL 8214 CABLE WIRING SEE DWG C6280-3



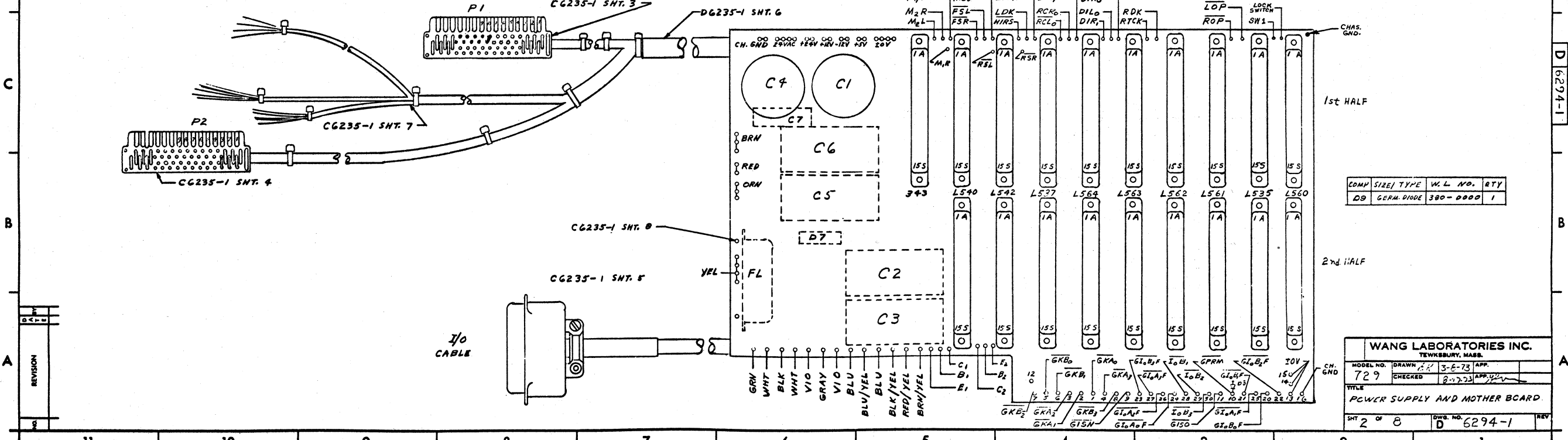
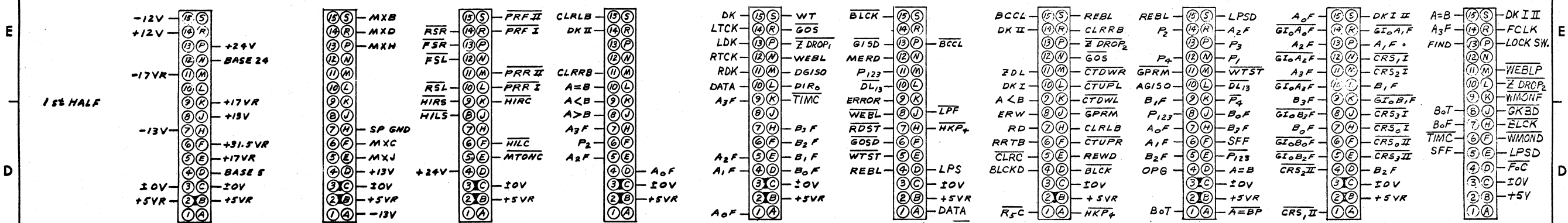
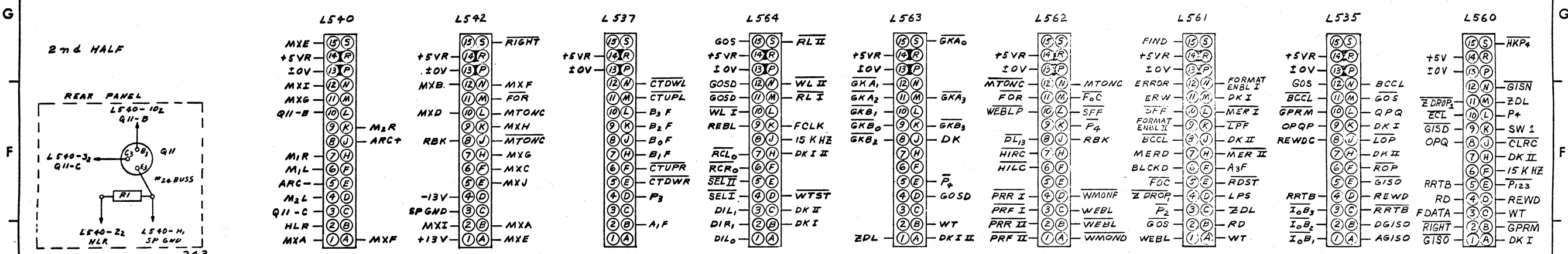
COMPONENT LAYOUT



SIGNAL-TERMINAL ASSIGNMENTS, VIEW FROM BOTTOM (WIRING SIDE OF CONNECTOR)

REC 07 1978

WANG LABORATORIES INC.
 TROY, N.Y.
 MODEL 400 MARK SENSE CARD READER
 SCHEMATIC LOGIBLOC
 DWG. NO. 6280-1



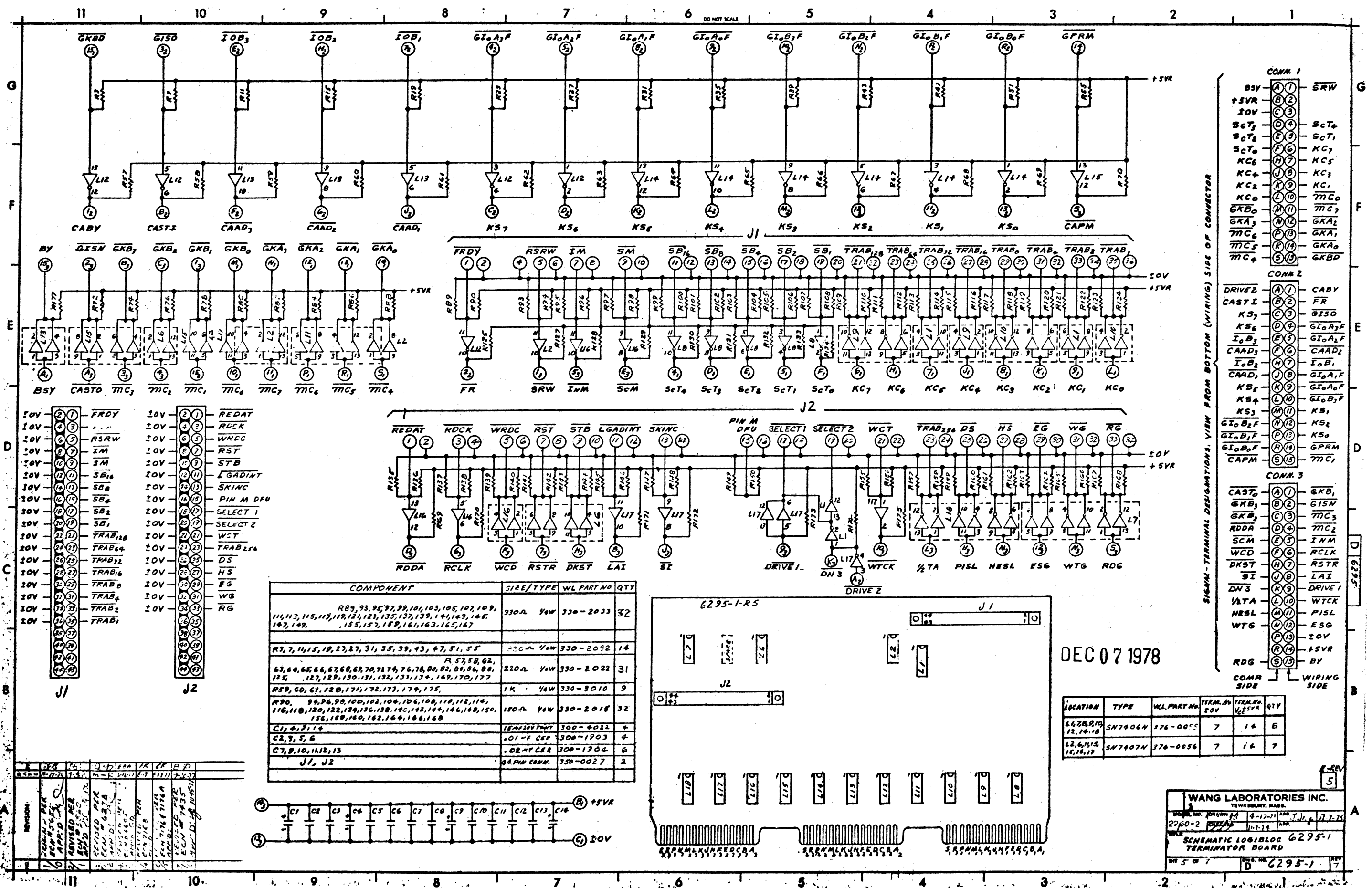
COMP	SIZE	TYPE	W.L. NO.	RTY
DS	GERM	DIODE	380-0000	1

WANG LABORATORIES INC.
TEWKSBURY, MASS.

MODEL NO. 729
DRAWN BY 3-6-73
CHECKED 2-17-73

TITLE: POWER SUPPLY AND MOTHER BOARD

SHT 2 OF 8
DWS. NO. 6294-1



COMPONENT	SIZE/TYPE	WL PART NO.	QTY
R89, 93, 95, 97, 99, 101, 103, 105, 107, 109, 111, 113, 115, 117, 119, 121, 123, 125, 127, 129, 131, 133, 135, 137, 139, 141, 143, 145, 147, 149, 151, 153, 155, 157, 159, 161, 163, 165, 167	330Ω 1/4W	330-2033	32
R3, 7, 11, 15, 19, 23, 27, 31, 35, 39, 43, 47, 51, 55	200Ω 1/4W	330-2092	14
R57, 58, 62, 63, 64, 65, 66, 67, 68, 69, 70, 71, 72, 74, 76, 78, 80, 82, 84, 86, 88, 125, 127, 129, 130, 131, 132, 133, 134, 169, 170, 177	220Ω 1/4W	330-2022	31
R59, 60, 61, 128, 171, 172, 173, 174, 175	1K 1/4W	330-3010	9
R90, 94, 96, 98, 100, 102, 104, 106, 108, 110, 112, 114, 116, 118, 120, 122, 124, 126, 128, 130, 132, 134, 144, 146, 148, 150, 152, 154, 156, 158, 160, 162, 164, 166, 168	150Ω 1/4W	330-2015	32
C1, 2, 3, 14	150PF 50V TANT	300-4011	4
C8, 9, 5, 6	.01μF CER	300-1903	4
C7, 8, 10, 11, 12, 13	.02μF CER	300-1704	6
J1, J2	64 PIN CONN.	330-0027	2

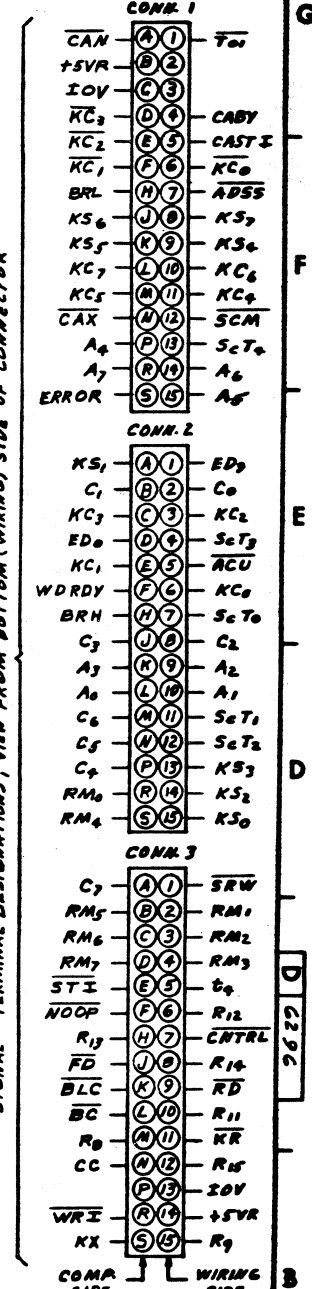
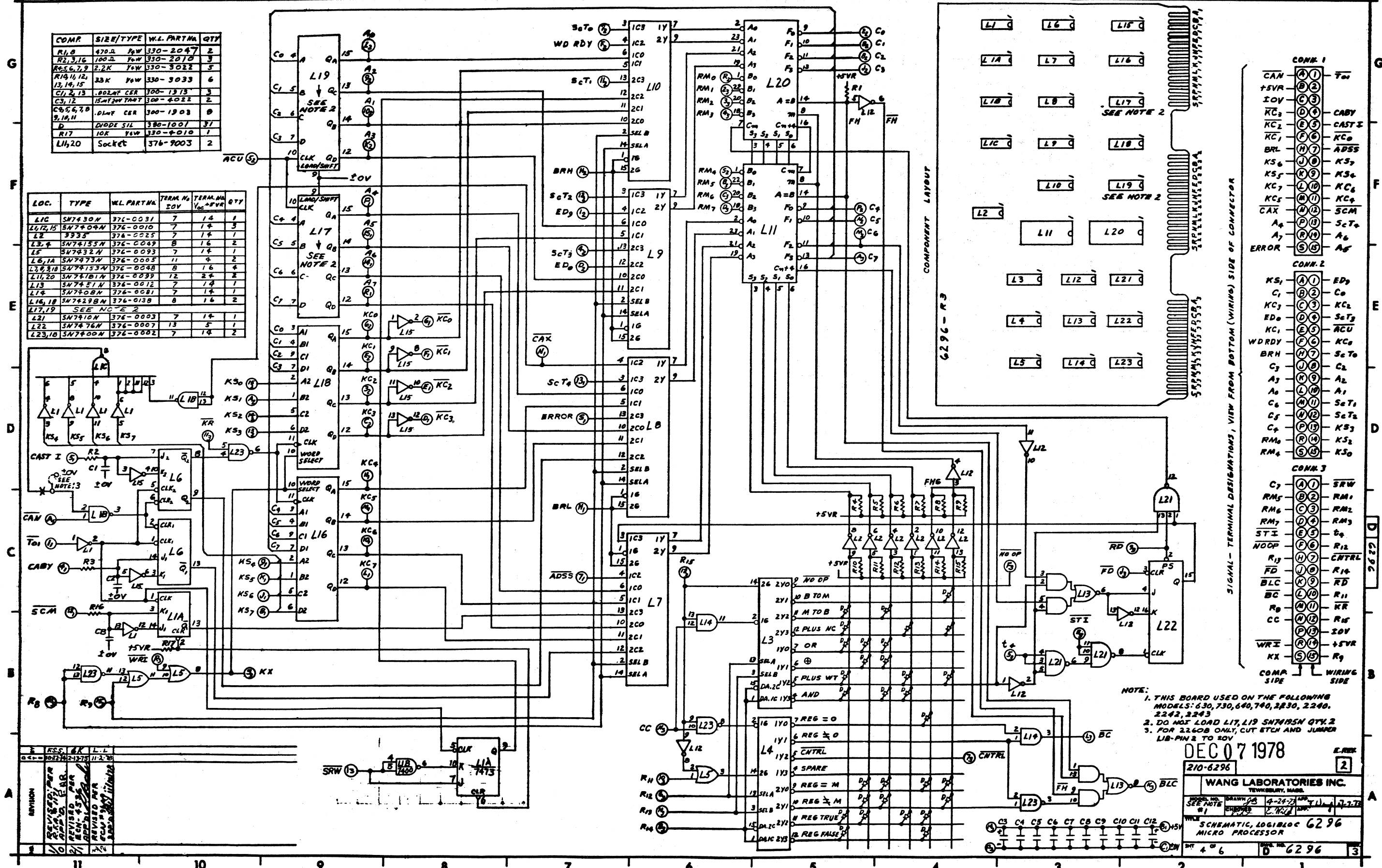
DEC 07 1978

LOCATION	TYPE	WL PART NO.	TERMS. TO 50V	TERMS. TO 15V	QTY
L1, 2, 8, 9, 10, 12, 14, 18	SN7406N	376-0055	7	14	6
L2, 6, 11, 13, 15, 16, 17	SN7407N	376-0056	7	14	7

WANG LABORATORIES INC.
 WALTHAM, MASS.
 MODEL NO. 6295-1
 2760-2
 4-12-71
 11-7-78
 SCHEMATIC LOGBLOC 6295-1
 TERMINATOR BOARD
 5 7
 6295-1

COMP	SIZE/TYPE	W.L. PART NO.	QTY
R1,8	470Ω	FW 330-2047	2
R2,3,16	100Ω	FW 330-2010	3
R5,6,7,9	2.2K	FW 330-3022	5
R14,12,13,14,15	33K	FW 330-3033	6
C1,2,13	.002M CER	300-1913	3
C3,12	.001M CER	300-4022	2
C5,6,7,8	.01M CER	300-1903	8
D	DIODE SIL	380-1001	31
R17	10K	FW 330-4010	1
L1,20	Socket	376-9003	2

LOC.	TYPE	W.L. PART NO.	TERM. NO.	TERM. NAME	QTY
L1C	SN7430N	376-0031	7	14	1
L12,15	SN7404N	376-0010	7	14	3
L8	3935	376-0025	7	14	1
L3,4	SN74155N	376-0049	B	16	2
L5	SN7432N	376-0093	7	14	1
L6,1A	SN7473N	376-0005	11	4	2
L3,8,9,10	SN74153N	376-0048	B	16	4
L11,20	SN74101N	376-0039	12	24	2
L13	SN7451N	376-0012	7	14	1
L14	SN7408N	376-0081	7	14	1
L16,18	SN74298N	376-0138	8	16	2
L17,19	SEE NOTE 2				
L21	SN7410N	376-0003	7	14	1
L22	SN7476N	376-0007	13	5	1
L23,10	SN7400N	376-0002	7	14	2



NOTE:
1. THIS BOARD USED ON THE FOLLOWING MODELS: 630, 730, 640, 740, 2R30, 2240, 2242, 2243
2. DO NOT LOAD L17, L19 SN74155N QTY. 2
3. FOR 2240B ONLY, CUT ETCH AND JUMPER LIB-PIN 2 TO 20V

DEC 07 1978

210-6296

WANG LABORATORIES INC.
TELEPHONE, MASS.

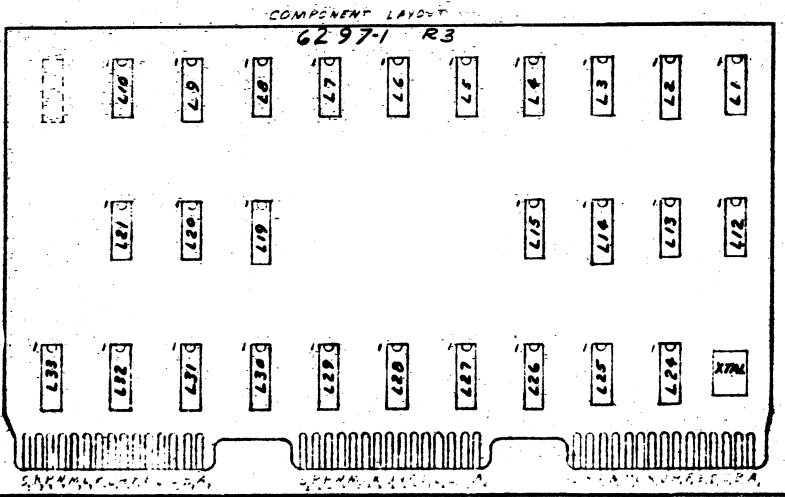
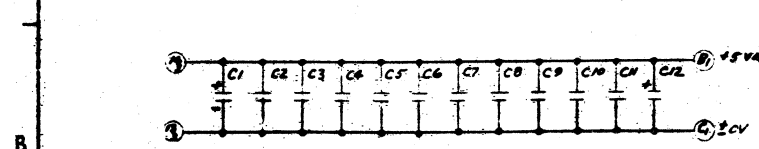
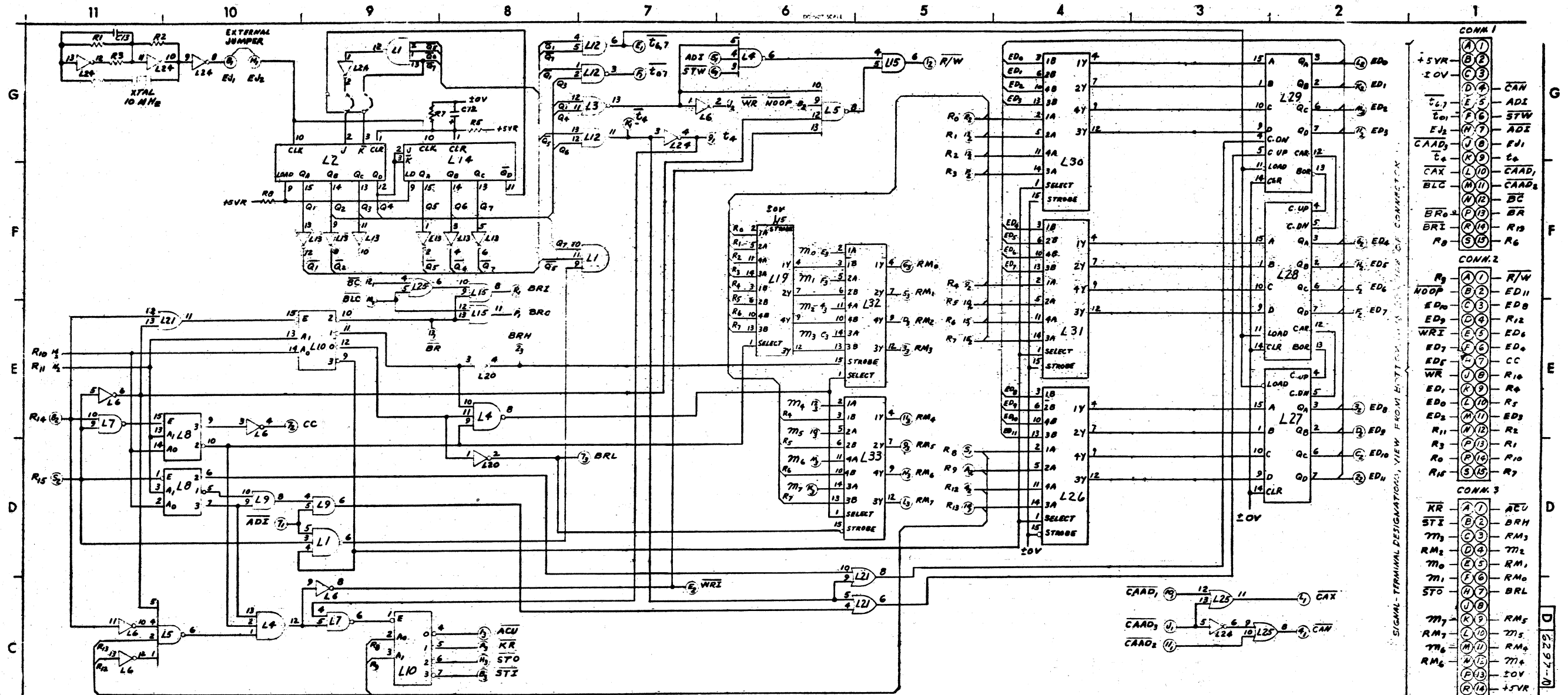
SEE NOTE 1 DRAWN BY 4-24-78 REV. 11-2-78
R1 R2 R3 R4 R5 R6 R7 R8 R9 R10 R11 R12 R13 R14 R15 R16 R17 R18 R19 R20 R21 R22 R23 R24 R25 R26 R27 R28 R29 R30 R31 R32 R33 R34 R35 R36 R37 R38 R39 R40 R41 R42 R43 R44 R45 R46 R47 R48 R49 R50 R51 R52 R53 R54 R55 R56 R57 R58 R59 R60 R61 R62 R63 R64 R65 R66 R67 R68 R69 R70 R71 R72 R73 R74 R75 R76 R77 R78 R79 R80 R81 R82 R83 R84 R85 R86 R87 R88 R89 R90 R91 R92 R93 R94 R95 R96 R97 R98 R99 R100

SIGNAL - TERMINAL DESIGNATIONS, VIEW FROM BOTTOM (WIRING) SIDE OF CONNECTOR

COMPONENT LAYOUT
6296-R3

WIRING SIDE

210-6296



LOCATION	TYPE	VL PART NO.	TERM. NO. 50V	TERM. NO. VCC +5V	QTY
L1, 4	SW7410N	376-0003	7	14	2
L2, 16	SW7419M	376-0097	8	16	2
L3	SW7402N	376-0016	7	14	1
L5	SW7420N	376-0307	7	14	1
L6, 13, 20, 24	SW7403N	376-0010	7	14	4
L7, 12	7400N	376-0002	7	14	2
L9, 10	7421	376-0076	8	16	2
L9, 15	SW7408M	376-0081	7	14	2
L19, 26, 30, 31, 32, 33	SW7415M	376-0082	8	16	6
L21, 25	SW7412M	376-0093	7	14	2
L27, 28, 29	SW7419M	376-0097	8	16	3

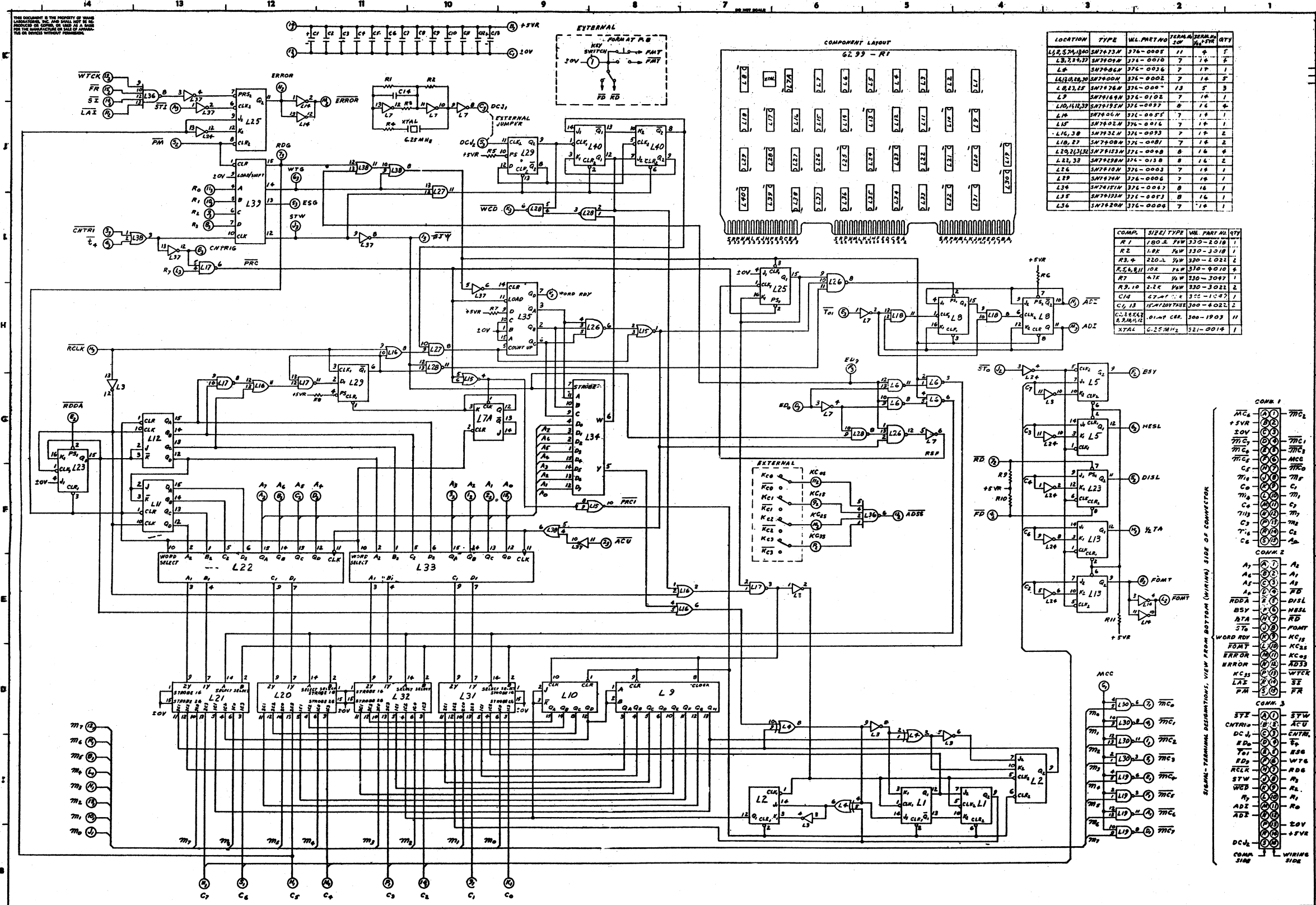
COMP.	SIZE/TYP	VL PART NO.	QTY
R1	100Ω	376-2018	1
R2	1.0K	376-2018	1
R3, 9	220Ω	376-2022	2
R5, 8	4.7K	376-2047	2
R7	8.0K	376-3068	1
C1, 12	154P 50V TANT	300-4022	2
C2, 3, 5	62B, 90M	300-1900	10
C12	82P 50V TANT	300-4028	1
XTAL	10 MHz	321-5223	1
C13	18PF CEK	300-1016	1

REV.	DATE	BY	CHKD.	APP'D.
1	10-23-73	J.L.K.		
2	11-1-74	J.L.K.		
3	11-1-74	J.L.K.		
4	11-1-74	J.L.K.		
5	11-1-74	J.L.K.		

BACK FILE
Per: _____
Date: _____

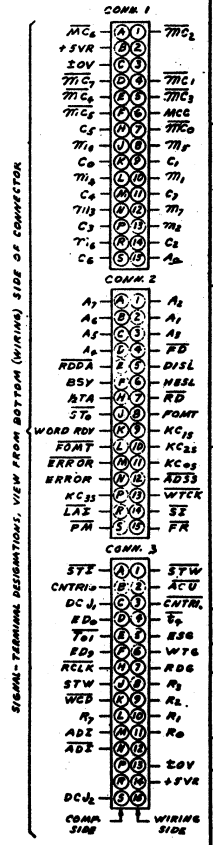
NOTE: 1. THIS BOARD IS USED ON FOLLOWING MODELS, 630, 640, 730, 2230, 2240, 2242 & 2243

WANG LABORATORIES INC.
TECHNICAL DRAWING
MODEL NO. 6297-10
DRAWN: S.F. 5-73
CHECKED: S.F. 7-73
DATE: 7-1-73
SCHEMATIC LOGIC FOR 6297-1 MICRO PROCESSOR
SHEET 1 OF 1

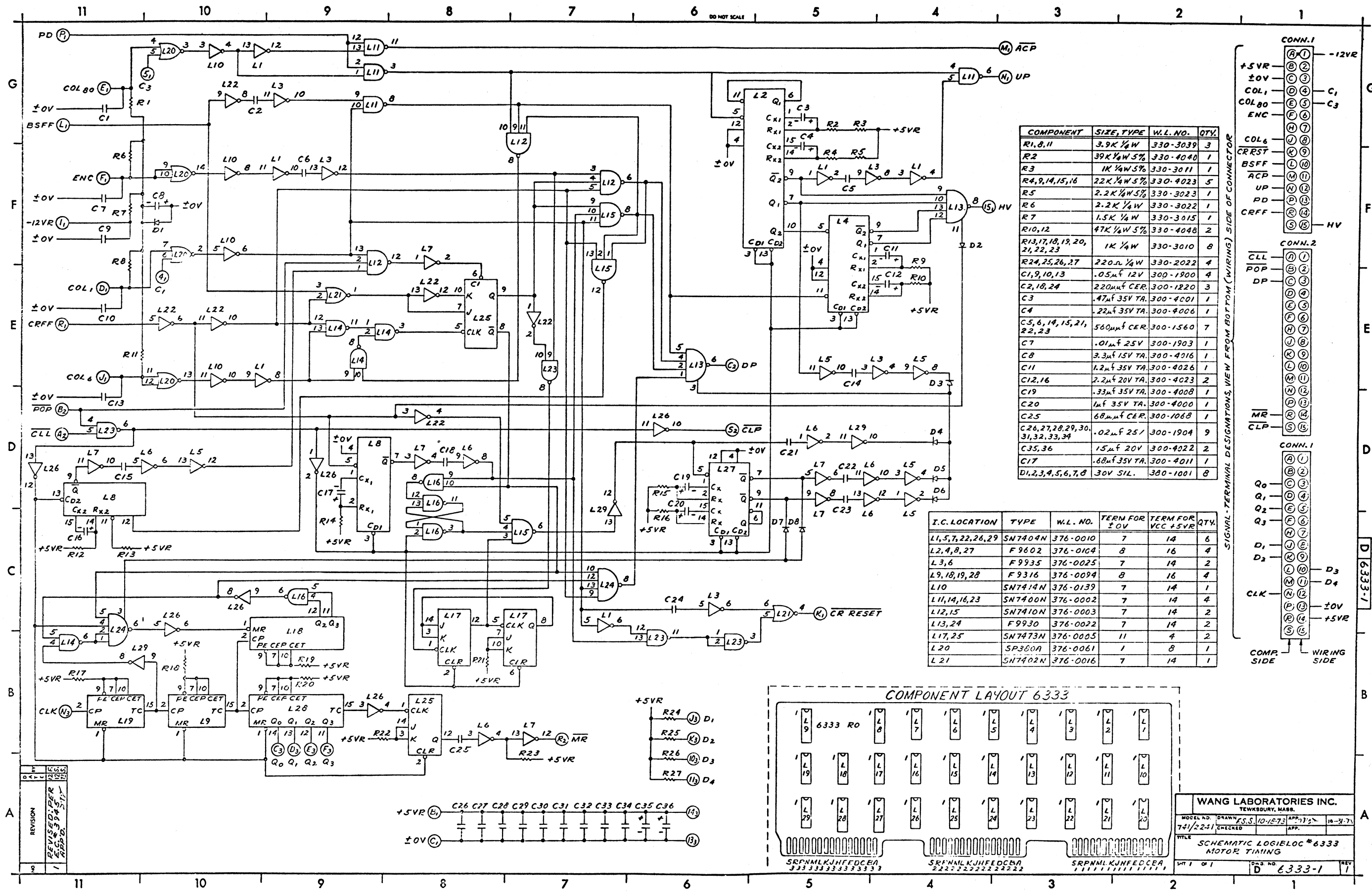


LOCATION	TYPE	VL PART NO	TERMINAL	REMARK	QTY
L1,2,3,4,5,6,7,8,9,10,11,12,13,14,15,16,17,18,19,20,21,22,23,24,25,26,27,28,29,30,31,32,33,34,35,36	SW722M	374-0007	11	1	5
L1,2,3,4,5,6,7,8,9,10,11,12,13,14,15,16,17,18,19,20,21,22,23,24,25,26,27,28,29,30,31,32,33,34,35,36	SW722M	374-0010	7	1	2
L1,2,3,4,5,6,7,8,9,10,11,12,13,14,15,16,17,18,19,20,21,22,23,24,25,26,27,28,29,30,31,32,33,34,35,36	SW722M	374-0016	7	1	1
L1,2,3,4,5,6,7,8,9,10,11,12,13,14,15,16,17,18,19,20,21,22,23,24,25,26,27,28,29,30,31,32,33,34,35,36	SW722M	374-0002	7	1	5
L1,2,3,4,5,6,7,8,9,10,11,12,13,14,15,16,17,18,19,20,21,22,23,24,25,26,27,28,29,30,31,32,33,34,35,36	SW722M	374-0000	13	5	3
L1,2,3,4,5,6,7,8,9,10,11,12,13,14,15,16,17,18,19,20,21,22,23,24,25,26,27,28,29,30,31,32,33,34,35,36	SW722M	374-0102	7	1	1
L1,2,3,4,5,6,7,8,9,10,11,12,13,14,15,16,17,18,19,20,21,22,23,24,25,26,27,28,29,30,31,32,33,34,35,36	SW722M	374-0007	8	1	6
L1,2,3,4,5,6,7,8,9,10,11,12,13,14,15,16,17,18,19,20,21,22,23,24,25,26,27,28,29,30,31,32,33,34,35,36	SW722M	374-0005	7	1	1
L1,2,3,4,5,6,7,8,9,10,11,12,13,14,15,16,17,18,19,20,21,22,23,24,25,26,27,28,29,30,31,32,33,34,35,36	SW722M	374-0016	7	1	1
L1,2,3,4,5,6,7,8,9,10,11,12,13,14,15,16,17,18,19,20,21,22,23,24,25,26,27,28,29,30,31,32,33,34,35,36	SW722M	374-0003	7	1	2
L1,2,3,4,5,6,7,8,9,10,11,12,13,14,15,16,17,18,19,20,21,22,23,24,25,26,27,28,29,30,31,32,33,34,35,36	SW722M	374-0001	7	1	2
L1,2,3,4,5,6,7,8,9,10,11,12,13,14,15,16,17,18,19,20,21,22,23,24,25,26,27,28,29,30,31,32,33,34,35,36	SW722M	374-0008	8	1	6
L1,2,3,4,5,6,7,8,9,10,11,12,13,14,15,16,17,18,19,20,21,22,23,24,25,26,27,28,29,30,31,32,33,34,35,36	SW722M	374-0108	8	1	2
L1,2,3,4,5,6,7,8,9,10,11,12,13,14,15,16,17,18,19,20,21,22,23,24,25,26,27,28,29,30,31,32,33,34,35,36	SW722M	374-0003	7	1	1
L1,2,3,4,5,6,7,8,9,10,11,12,13,14,15,16,17,18,19,20,21,22,23,24,25,26,27,28,29,30,31,32,33,34,35,36	SW722M	374-0006	7	1	1
L1,2,3,4,5,6,7,8,9,10,11,12,13,14,15,16,17,18,19,20,21,22,23,24,25,26,27,28,29,30,31,32,33,34,35,36	SW722M	374-0007	8	1	1
L1,2,3,4,5,6,7,8,9,10,11,12,13,14,15,16,17,18,19,20,21,22,23,24,25,26,27,28,29,30,31,32,33,34,35,36	SW722M	374-0003	8	1	1
L1,2,3,4,5,6,7,8,9,10,11,12,13,14,15,16,17,18,19,20,21,22,23,24,25,26,27,28,29,30,31,32,33,34,35,36	SW722M	374-0004	7	1	1

COMP.	SIZE	TYPE	VL PART NO	QTY
R1	180	2	330-2018	1
R2	180	2	330-2018	1
R3,4	220	2	330-2022	2
R5,6,7,8	100	2	330-2018	4
R9,10	100	2	330-2018	2
C1	10	1	332-1007	1
C2,3	10	1	332-1007	2
C4,5,6,7,8,9,10,11,12	0.1	1	300-1903	11
XTAL	0.25	1	321-0014	1

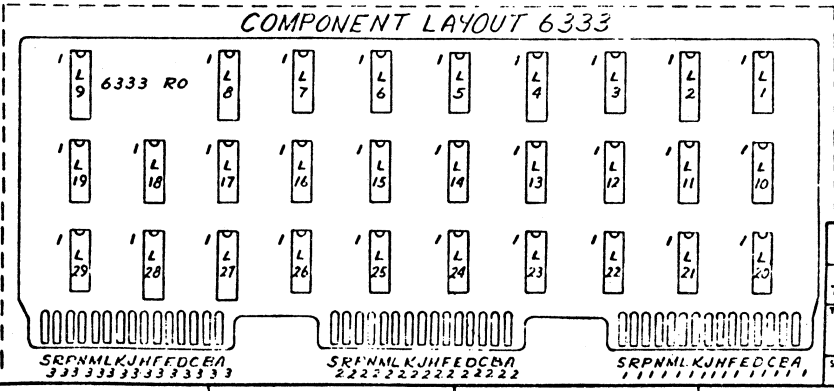


WANG PART NO	ITEM	QTY	NAME	MATERIAL	DESCRIPTION
WANG					
MODEL NO 730					
TITLE DISK CONTROL 6299					
510-2299 E 6299-1					



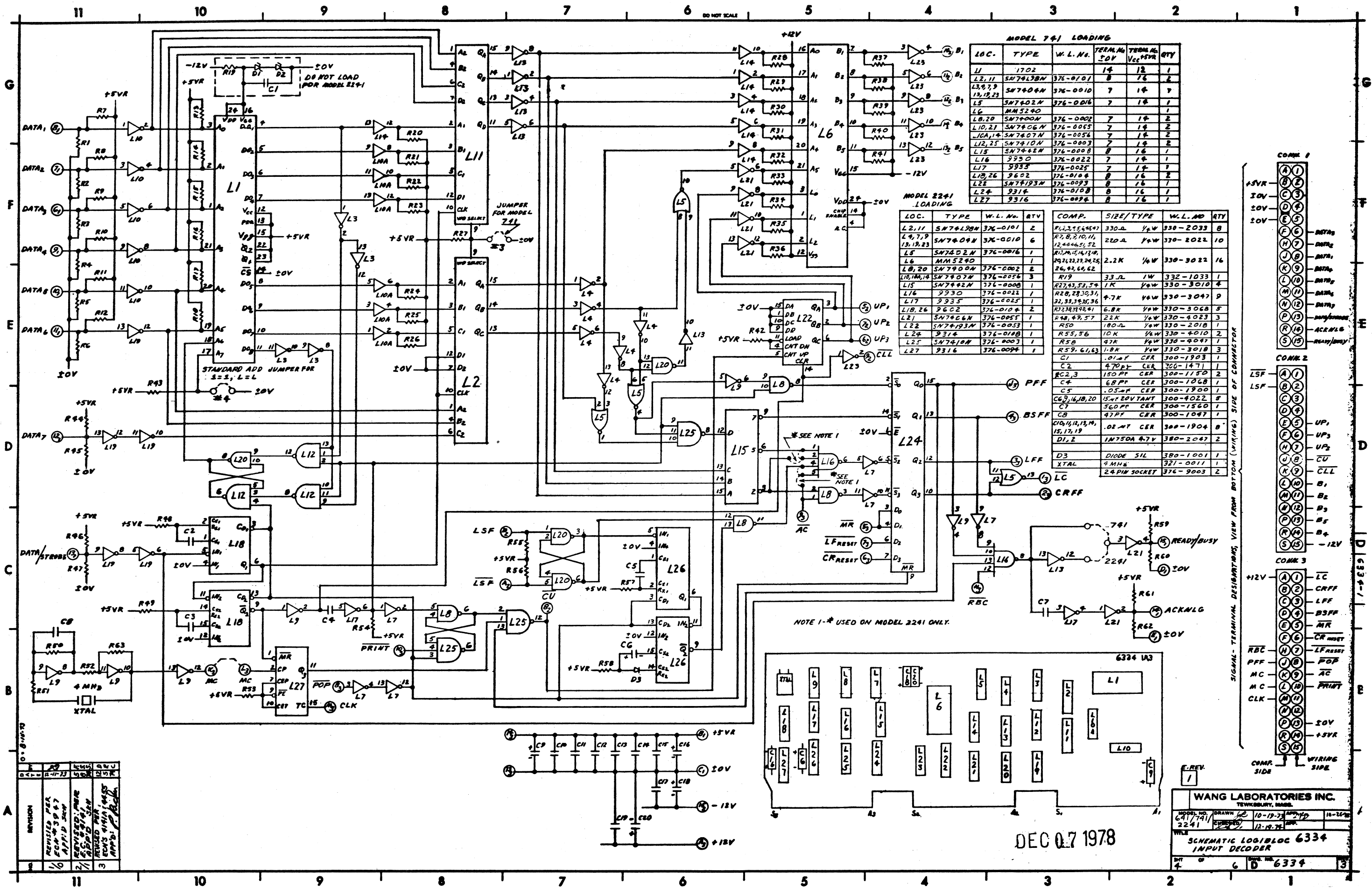
COMPONENT	SIZE, TYPE	W.L. NO.	QTY.
R1, 8, 11	3.9K 1/4W	330-3039	3
R2	39K 1/4W 5%	330-4040	1
R3	1K 1/4W 5%	330-3011	1
R4, 9, 14, 15, 16	22K 1/4W 5%	330-4023	5
R5	2.2K 1/4W 5%	330-3023	1
R6	2.2K 1/4W	330-3022	1
R7	1.5K 1/4W	330-3015	1
R10, 12	47K 1/4W 5%	330-4048	2
R13, 17, 18, 19, 20, 21, 22, 23	1K 1/4W	330-3010	8
R24, 25, 26, 27	220Ω 1/4W	330-2022	4
C1, 9, 10, 13	.05μf 12V	300-1900	4
C2, 18, 24	220μf CER.	300-1220	3
C3	.47μf 35V TA.	300-4001	1
C4	.22μf 35V TA.	300-4006	1
C5, 6, 14, 15, 21, 22, 23	580μf CER.	300-1560	7
C7	.01μf 25V	300-1903	1
C8	3.3μf 15V TA.	300-4016	1
C11	1.2μf 35V TA.	300-4026	1
C12, 16	2.2μf 20V TA.	300-4023	2
C19	.33μf 35V TA.	300-4008	1
C20	1μf 35V TA.	300-4000	1
C25	68μf CER.	300-1068	1
C26, 27, 28, 29, 30, 31, 32, 33, 34	.02μf 25V	300-1904	9
C35, 36	15μf 20V	300-4022	2
C17	.68μf 35V TA.	300-4011	1
D1, 2, 3, 4, 5, 6, 7, 8	30V SIL.	380-1001	8

I.C. LOCATION	TYPE	W.L. NO.	TERM FOR ±0V	TERM FOR VCC +5V	QTY.
L1, 5, 7, 22, 26, 29	SN7400N	376-0010	7	14	6
L2, 4, 8, 27	F9602	376-0104	8	16	4
L3, 6	F9935	376-0025	7	14	2
L9, 18, 19, 28	F9316	376-0094	8	16	4
L10	SN7414N	376-0139	7	14	1
L11, 14, 16, 23	SN7400N	376-0002	7	14	4
L12, 15	SN7410N	376-0003	7	14	2
L13, 24	F9930	376-0022	7	14	2
L17, 25	SN7473N	376-0005	11	4	2
L20	SP360A	376-0061	1	8	1
L21	SN7402N	376-0016	7	14	1



WANG LABORATORIES INC.
 TEWKSBURY, MASS.
 MODEL NO. DRAWN: *ES.S. 10-1873* APP: *10-1-71*
 74/22-1 CHECKED: _____
 TITLE: **SCHEMATIC LOGILOC #6333 MOTOR TIMING**
 SHEET NO. **D 6333-1** REV. **1**

REVISION	DATE	BY	APP'D.
1	10-1-71	ES.S.	ES.S.

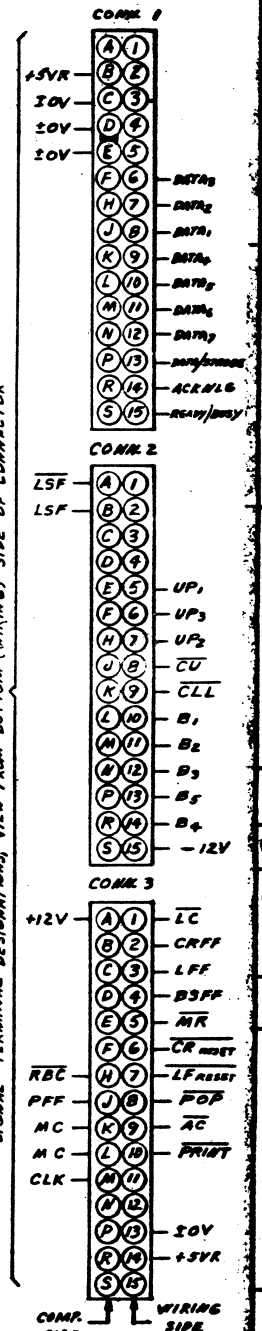


MODEL 741 LOADING

LOC.	TYPE	W. L. No.	TERMINAL NO.	TERMINAL VOLTAGE	QTY
L1	1702		14	12	1
L2,11	SN74LSBN	376-0101	8	16	2
L3,7,9	SN7404N	376-0010	7	14	7
L5	SN7402N	376-0016	7	14	1
L6	MM5240				1
L8,20	SN7400N	376-0002	7	14	2
L10,21	SN7406N	376-0055	7	14	2
L11,14	SN7407N	376-0056	7	14	2
L12,25	SN7410N	376-0003	7	14	2
L15	SN7442N	376-0008	8	16	1
L16	9330	376-0022	7	14	1
L17	9333	376-0025	7	14	1
L18,26	9602	376-0104	8	16	2
L22	SN74193N	376-0093	8	16	1
L24	9314	376-0108	8	16	1
L27	9316	376-0094	8	16	1

MODEL 2241 LOADING

LOC.	TYPE	W. L. No.	RTV	COMP.	SIZE/TYP	W. L. No.	RTV
L2,11	SN74LSBN	376-0101	2	R12,15,45,47	330Ω 1/4W	330-2033	8
L4,7,9	SN7404N	376-0010	6	R7,8,10,11,12,44,51,52	220Ω 1/4W	330-2022	10
L5	SN7402N	376-0016	1	R12,15,14,17,19,21,22,23,24,25,26,42,44,42	2.2K 1/4W	330-3022	14
L6	MM5240		1	R19	33Ω 1W	332-1033	1
L8,20	SN7400N	376-0002	2	R27,43,53,54	1K 1/4W	330-3010	4
L10,14,14	SN7407N	376-0056	3	R28,29,30,31,32,33,34,35,36	4.7K 1/4W	330-3047	9
L15	SN7442N	376-0008	1	R48,49,57	22K 1/4W	330-4023	3
L16	9330	376-0022	1	R50	180Ω 1/4W	330-2018	1
L17	9335	376-0025	1	R55,56	10K 1/4W	330-4010	2
L18,26	9602	376-0104	2	R58	97K 1/4W	330-9047	1
L21	SN7466N	376-0055	1	R59,61,63	1.8K 1/4W	330-3018	3
L22	SN74193N	376-0093	1	C1	.01μF CER	300-1903	1
L25	SN7410N	376-0003	1	C2	470pF CER	300-1471	1
L27	9316	376-0094	1	R2,3	150pF CER	300-1150	2
				C4	68pF CER	300-1068	1
				C5	.05μF CER	300-1900	1
				C6,7,18,20	15μF 50V TANT	300-4022	8
				C7	560pF CER	300-1560	1
				C8	47pF CER	300-1047	1
				D3	DIODE SIL	380-1001	1
				XTAL	4MHz	321-0011	1
					24 PIN SOCKET	376-9003	2



REVISION

NO.	DATE	DESCRIPTION
1	10-19-73	REVISED FOR 6334-1
2	12-19-73	REVISED FOR 6334-1
3	12-19-73	REVISED FOR 6334-1

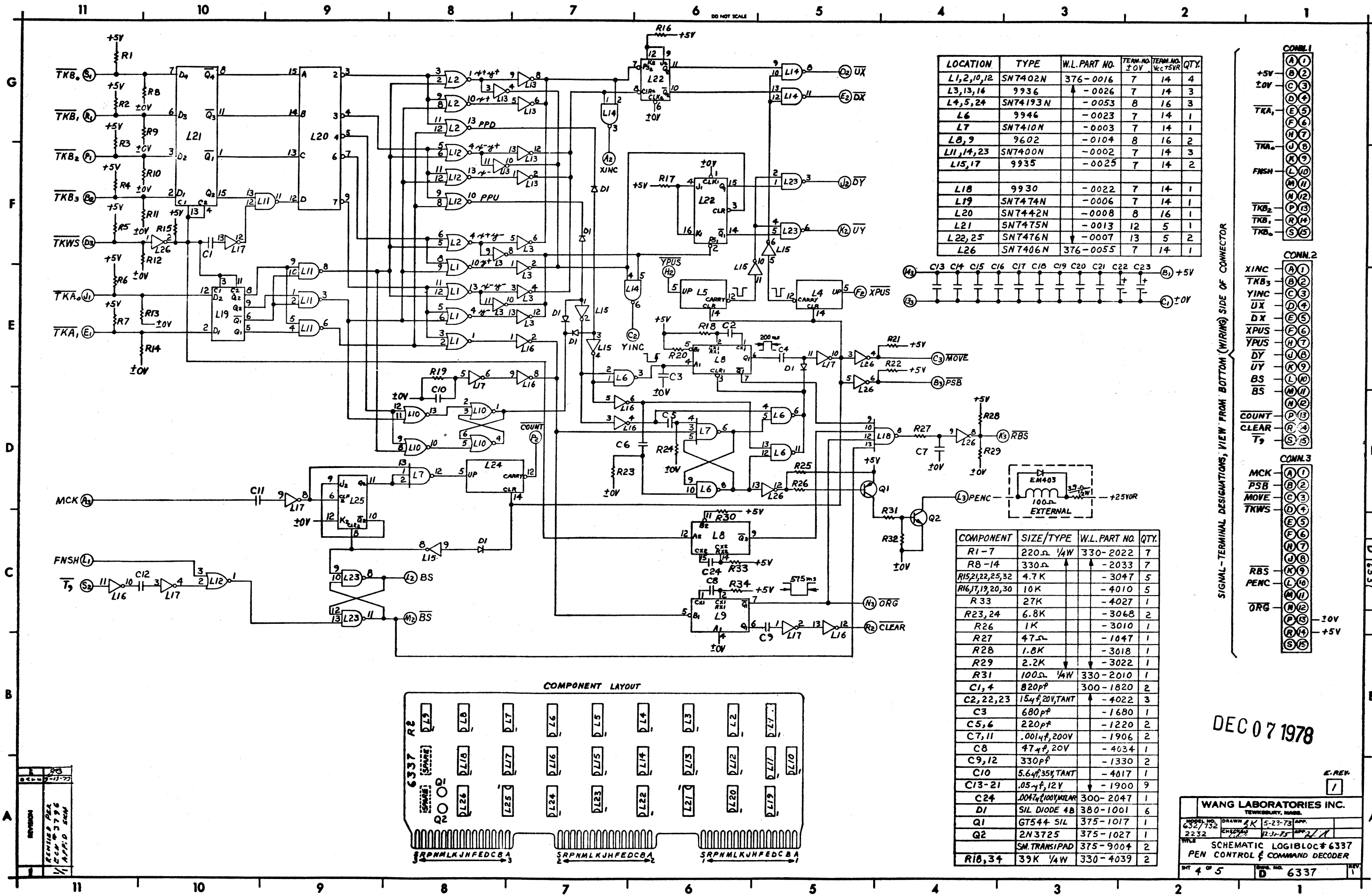
DEC 07 1978

WANG LABORATORIES INC.
TELECOMMUNICATIONS DIVISION

MODEL NO. 6334-1
DRAWN BY 10-19-73
CHECKED BY 12-19-73

SCHEMATIC LOGIBLOC 6334 INPUT DECODER

6334-1

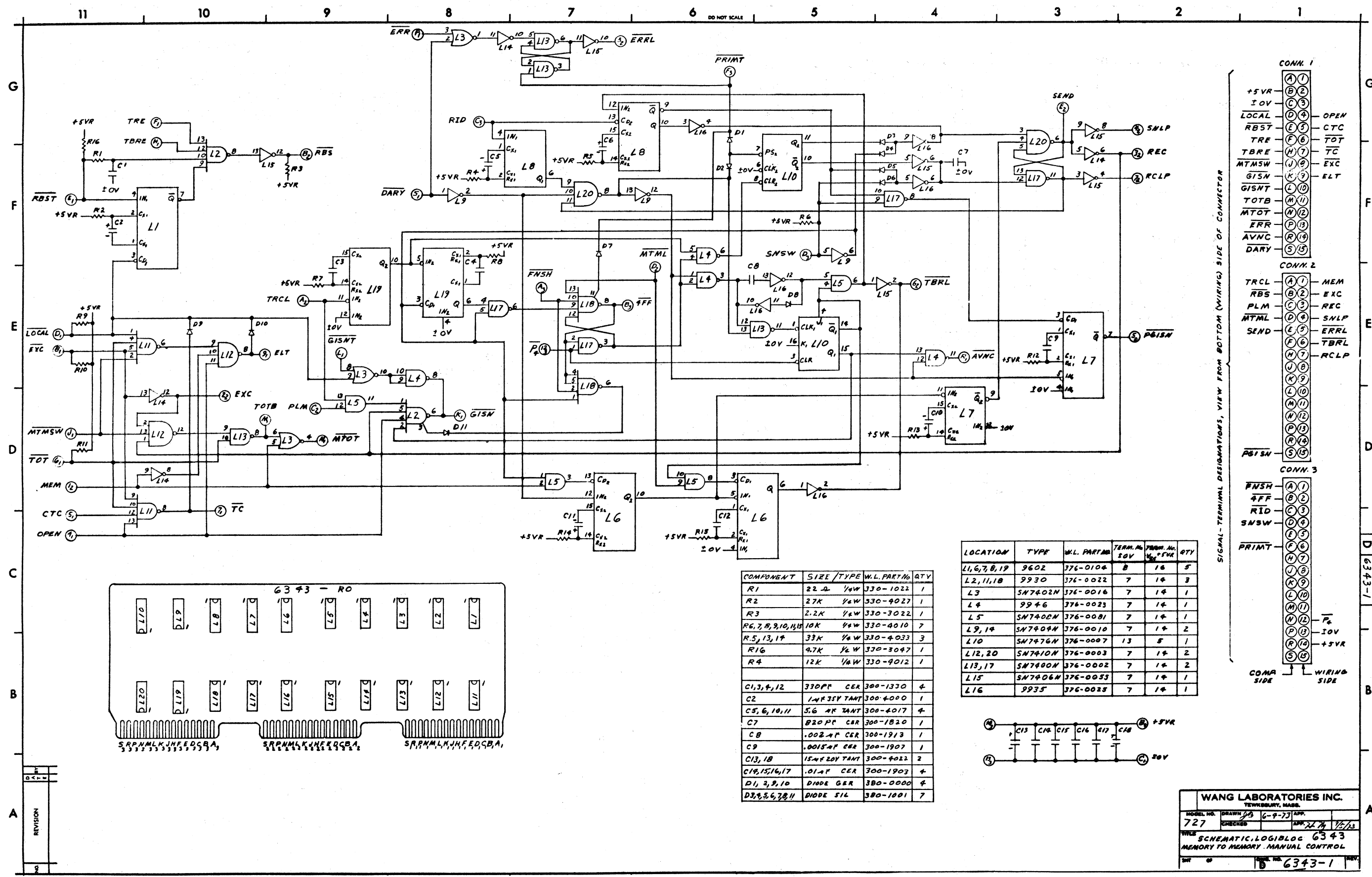


LOCATION	TYPE	W.L. PART NO.	TERM. NO. ±0V	TERM. NO. Vcc +5V	QTY.
L1,2,10,12	SN7402N	376-0016	7	14	4
L3,13,14	9936	-0026	7	14	3
L4,5,24	SN74193N	-0053	8	16	3
L6	9946	-0023	7	14	1
L7	SN7410N	-0003	7	14	1
L8,9	9602	-0104	8	16	2
L11,14,23	SN7400N	-0002	7	14	3
L15,17	9935	-0025	7	14	2
L18	9930	-0022	7	14	1
L19	SN7474N	-0006	7	14	1
L20	SN7442N	-0008	8	16	1
L21	SN7475N	-0013	12	5	1
L22,25	SN7476N	-0007	13	5	2
L26	SN7406N	376-0055	7	14	1

COMPONENT	SIZE/TYPE	W.L. PART NO.	QTY.
R1-7	220Ω 1/4W	330-2022	7
R8-14	330Ω	-2033	7
R15,21,22,25,32	4.7K	-3047	5
R16,17,19,20,30	10K	-4010	5
R33	27K	-4027	1
R23,24	6.8K	-3068	2
R26	1K	-3010	1
R27	47Ω	-1047	1
R28	1.8K	-3018	1
R29	2.2K	-3022	1
R31	100Ω 1/4W	330-2010	1
C1,4	0.20pF	300-1820	2
C2,22,23	154pF 20V TANT	-4022	3
C3	680pF	-1680	1
C5,6	220pF	-1220	2
C7,11	.001μF, 200V	-1906	2
C8	47μF, 20V	-4034	1
C9,12	330pF	-1330	2
C10	5.6μF, 35V TANT	-4017	1
C13-21	.05μF, 12V	-1900	9
C24	.0047μF, 100V MLAR	300-2047	1
D1	SIL DIODE 4B	380-1001	6
Q1	GT544 51L	375-1017	1
Q2	2N3725	375-1027	1
	SM. TRANSIPAD	375-9004	2
R18,34	39K 1/4W	330-4039	2

DEC 07 1978

WANG LABORATORIES INC.
 MODEL NO. 632/732 DRAWN BY S-23-73 APP. 2/78
 2232 CHECKED BY 12-3-75 REV. 2/78
 TITLE SCHEMATIC LOGIBLOC #6337
 PEN CONTROL COMMAND DECODER
 SHEET 4 OF 5
 REV. 1



LOCATION	TYPE	W.L. PART NO.	TERM. No. 20V	FORM. No. 5V	QTY
L1, 6, 7, 8, 19	9602	376-0104	B	16	5
L2, 11, 18	9930	376-0022	7	14	3
L3	SN7402N	376-0016	7	14	1
L4	9946	376-0023	7	14	1
L5	SN7400N	376-0081	7	14	1
L9, 14	SN7404N	376-0010	7	14	2
L10	SN7476N	376-0007	13	5	1
L12, 20	SN7410N	376-0003	7	14	2
L13, 17	SN7400N	376-0002	7	14	2
L15	SN7406N	376-0033	7	14	1
L16	9935	376-0025	7	14	1

COMPONENT	SIZE / TYPE	W.L. PART NO.	QTY
R1	22 Ω 1/4W	330-1022	1
R2	27K 1/4W	330-4027	1
R3	2.2K 1/4W	330-3022	1
R6, 7, 8, 9, 10, 13, 15	10K 1/4W	330-4010	7
R5, 13, 14	33K 1/4W	330-4033	3
R16	47K 1/4W	330-3047	1
R4	12K 1/4W	330-4012	1
C1, 3, 4, 12	330PF CER	300-1330	4
C2	1.4735V TANT	300-4000	1
C5, 6, 10, 11	5.6 PF TANT	300-4017	4
C7	820 PF CER	300-1820	1
C8	.002 MF CER	300-1913	1
C9	.0015 MF CER	300-1907	1
C13, 18	15 MF 20V TANT	300-4022	2
C19, 15, 16, 17	.01 MF CER	300-1903	4
D1, 2, 9, 10	DIODE GER	380-0000	4
D3, 4, 5, 6, 7, 8, 11	DIODE SIL	380-1001	7

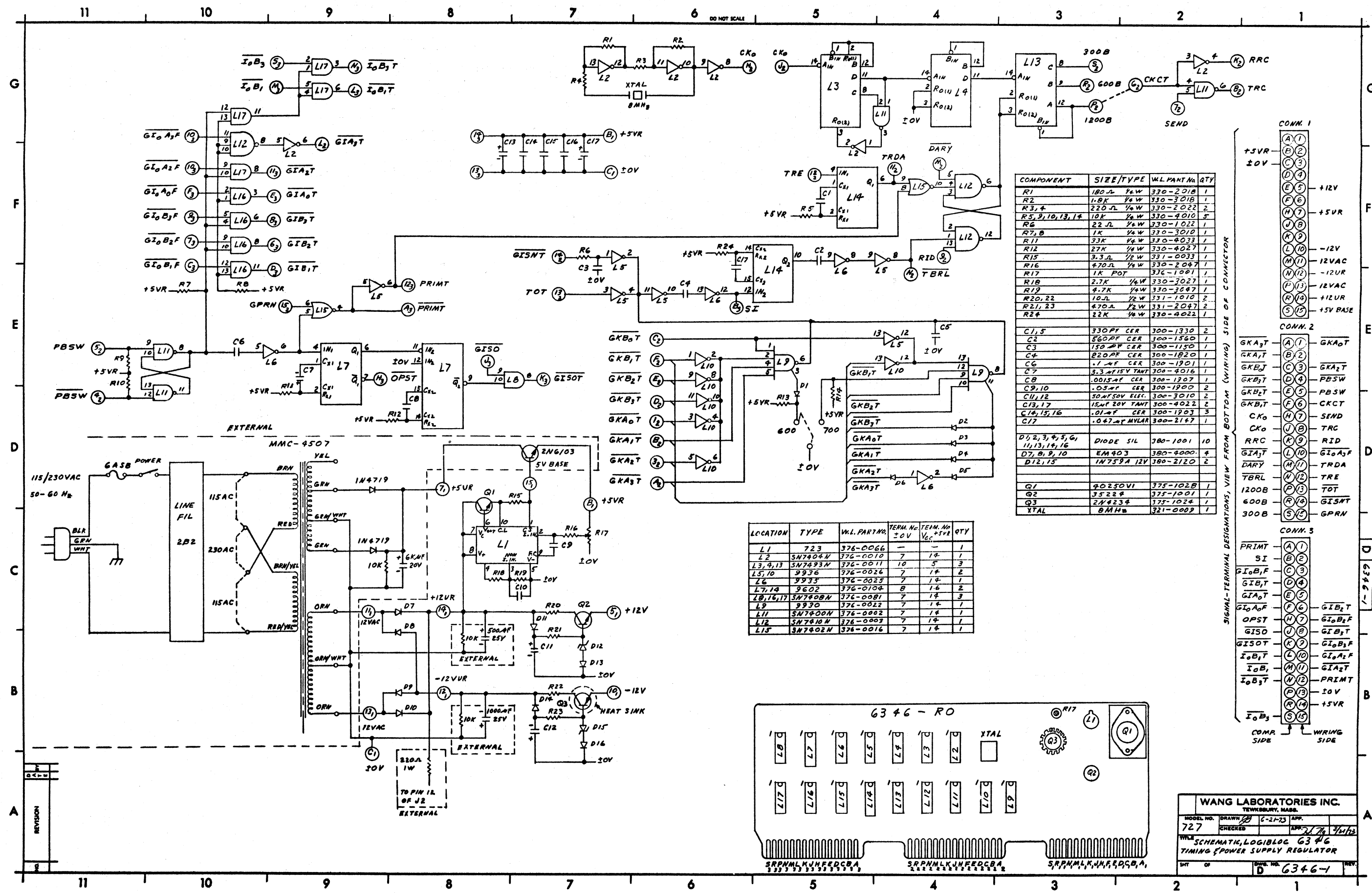
WANG LABORATORIES INC.
TEWKSBURY, MASS.

MODEL NO. 727 DRAWN BY [Signature] 6-9-73 APP. [Signature]
CHECKED BY [Signature] 1/2/73

TITLE: SCHEMATIC LOGIBLOC 6343
MEMORY TO MEMORY MANUAL CONTROL

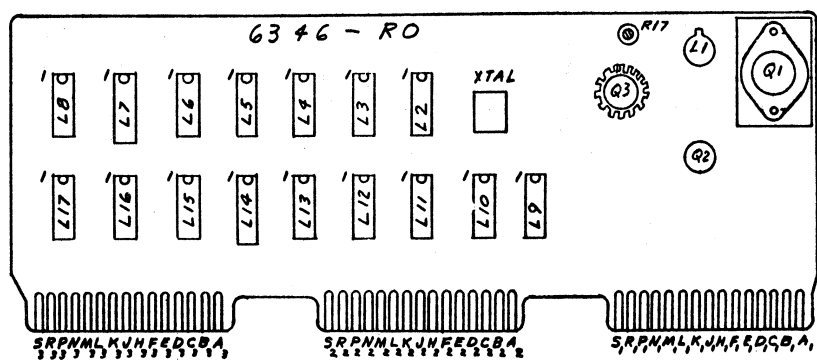
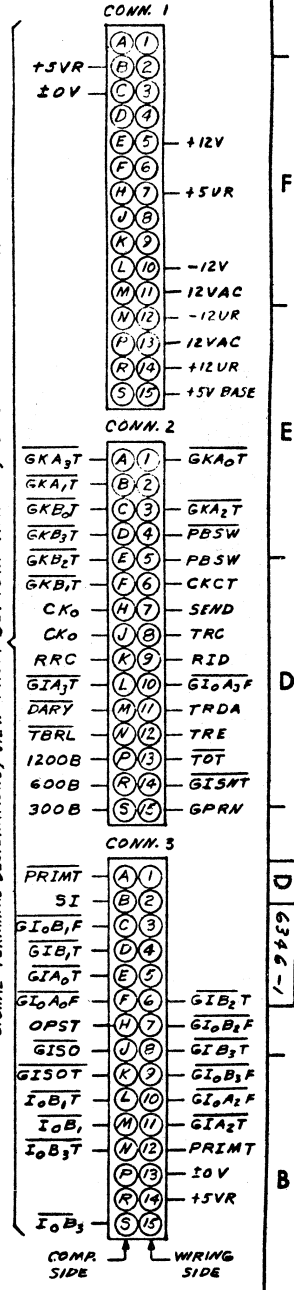
REV. 00

REV.	DESCRIPTION
0	REVISED



COMPONENT	SIZE/TYPE	W.L. PART NO.	QTY
R1	180 Ω 1/4W	330-2018	1
R2	1.8K 1/4W	330-3018	1
R3, 4	220 Ω 1/4W	330-2022	2
R5, 9, 10, 13, 14	10K 1/4W	330-4010	5
R6	22 Ω 1/4W	330-1022	1
R7, 8	1K 1/4W	330-3010	1
R11	33K 1/4W	330-4033	1
R12	27K 1/4W	330-4027	1
R15	3.3 Ω 1/2W	331-0033	1
R16	470 Ω 1/4W	330-2047	1
R17	1K POT	330-1001	1
R18	2.7K 1/4W	330-3027	1
R19	4.7K 1/4W	330-3047	1
R20, 22	10 Ω 1/2W	331-1010	2
R21, 23	470 Ω 1/2W	331-2047	2
R24	22K 1/4W	330-4022	1
C1, 5	330PF CER	300-1330	2
C2	560PF CER	300-1360	1
C3	150PF CER	300-1150	1
C4	220PF CER	300-1020	1
C6	.1 μF CER	300-1901	1
C7	3.3 μF 15V TANT	300-4016	1
C8	.0015 μF CER	300-1907	1
C9, 10	.05 μF CER	300-1900	2
C11, 12	50 μF 50V ELEC.	300-3010	2
C13, 17	15 μF 20V TANT	300-4022	2
C14, 15, 16	.01 μF CER	300-1903	3
C17	.047 μF MYLAR	300-2147	1
D1, 2, 3, 4, 5, 6, 11, 13, 14, 16	DIODE SIL	380-1001	10
D7, 8, 9, 10	EM 403	380-4000	4
D12, 15	1N759A	380-2120	2
Q1	40250VI	375-1028	1
Q2	35224	375-1001	1
Q3	2N4234	375-1024	1
XTAL	8MHz	321-0009	1

LOCATION	TYPE	W.L. PART NO.	TERM. NO. ±0V	TERM. NO. Vcc +5V	QTY
L1	723	376-0066	-	-	1
L2	SN7404N	376-0010	7	14	1
L3, 9, 13	SN7493N	376-0011	10	5	3
L5, 10	9936	376-0026	7	14	2
L6	9933	376-0025	7	14	1
L7, 14	9602	376-0104	8	14	2
L8, 16, 17	SN7408N	376-0081	7	14	3
L9	9930	376-0022	7	14	1
L11	SN7400N	376-0002	7	14	1
L12	SN7410N	376-0003	7	14	1
L15	SN7402N	376-0016	7	14	1

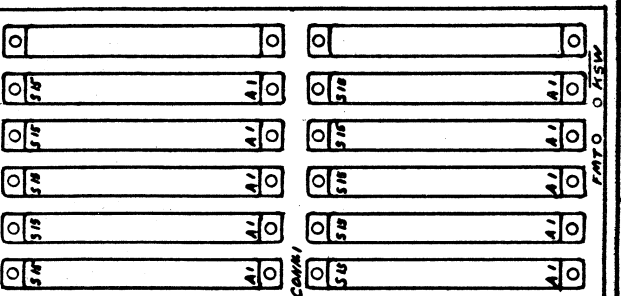
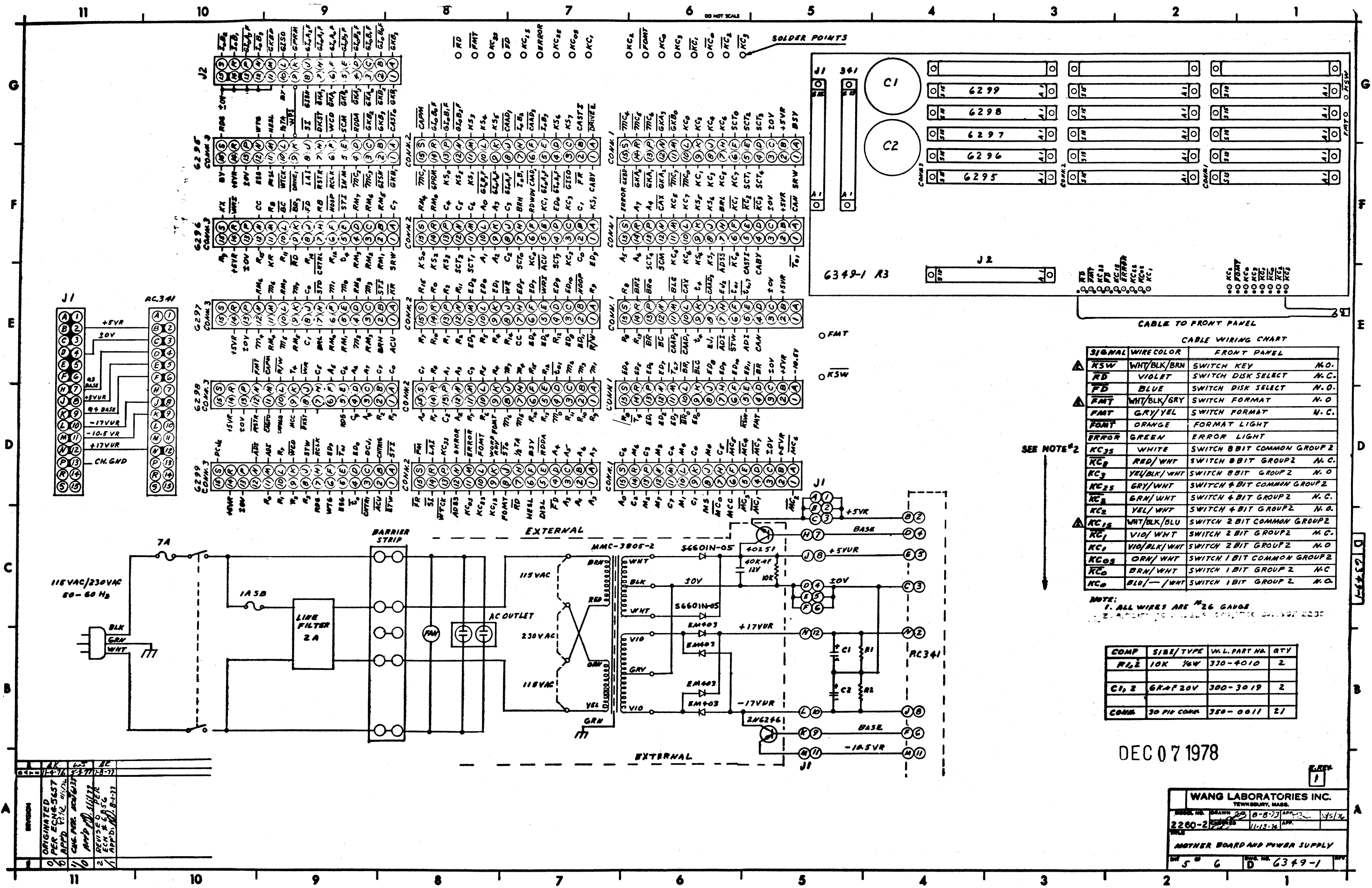


WANG LABORATORIES INC.
TEWKSBURY, MASS.

MODEL NO. 727 DRAWN 6-21-73 APP. 7/1/73
CHECKED 7/1/73

TITLE SCHEMATIC, LOGIBLOC 6346
TIMING & POWER SUPPLY REGULATOR

SHT OF 1 DWS. NO. 6346-1 REV.



CABLE TO FRONT PANEL
CABLE WIRING CHART

SIGNAL	WIRE COLOR	FRONT PANEL	
KSW	WHT/BLK/BRN	SWITCH KEY	N.O.
RD	VIOLET	SWITCH DISK SELECT	N.C.
FD	BLUE	SWITCH DISK SELECT	N.O.
FMT	WHT/BLK/GRY	SWITCH FORMAT	N.O.
FMT	GRY/YEL	SWITCH FORMAT	N.C.
FORMAT	ORANGE	FORMAT LIGHT	
ERROR	GREEN	ERROR LIGHT	
KC35	WHITE	SWITCH 8 BIT COMMON GROUP 2	
KC8	RED/WHT	SWITCH 8 BIT GROUP 2	N.C.
KC3	YEL/BLK/WHT	SWITCH 8 BIT GROUP 2	N.O.
KC25	GRY/WHT	SWITCH 4 BIT COMMON GROUP 2	
KC8	GRN/WHT	SWITCH 4 BIT GROUP 2	N.C.
KC2	YEL/WHT	SWITCH 4 BIT GROUP 2	N.O.
KC16	WHT/BLK/BLU	SWITCH 2 BIT COMMON GROUP 2	
KC1	VIO/WHT	SWITCH 2 BIT GROUP 2	N.C.
KC1	VIO/BLK/WHT	SWITCH 2 BIT GROUP 2	N.O.
KC09	ORN/WHT	SWITCH 1 BIT COMMON GROUP 2	
KC0	BRN/WHT	SWITCH 1 BIT GROUP 2	N.C.
KC0	BLU/-/WHT	SWITCH 1 BIT GROUP 2	N.O.

NOTE:
1. ALL WIRES ARE #26 GAUGE
2. ALL WIRE COLORS ARE AS SHOWN ON THIS CHART

COMP	SIZE/TYPE	VAL. PART NO.	QTY
R1,2	10K 1/4W	330-4010	2
C1,2	6K4F 20V	300-3019	2
CONN	30 PIN CONN	350-0011	21

DEC 07 1978

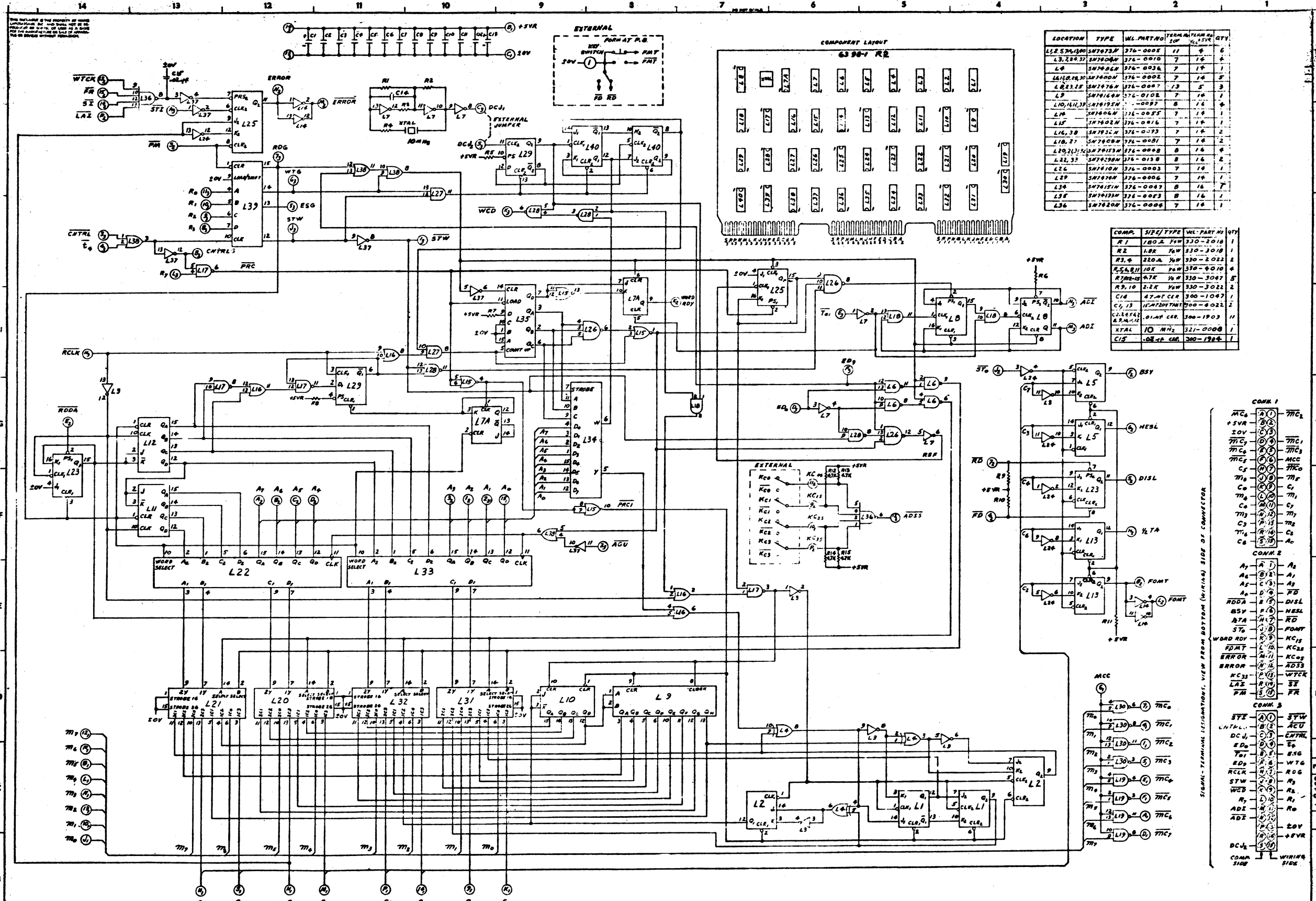
WANG LABORATORIES INC.
TECHNOLOGY, MASS.

MODEL NO. 2260-2 DRAWN BY B-8-73 APP'D BY JVS/ML
DATE 11/13/78

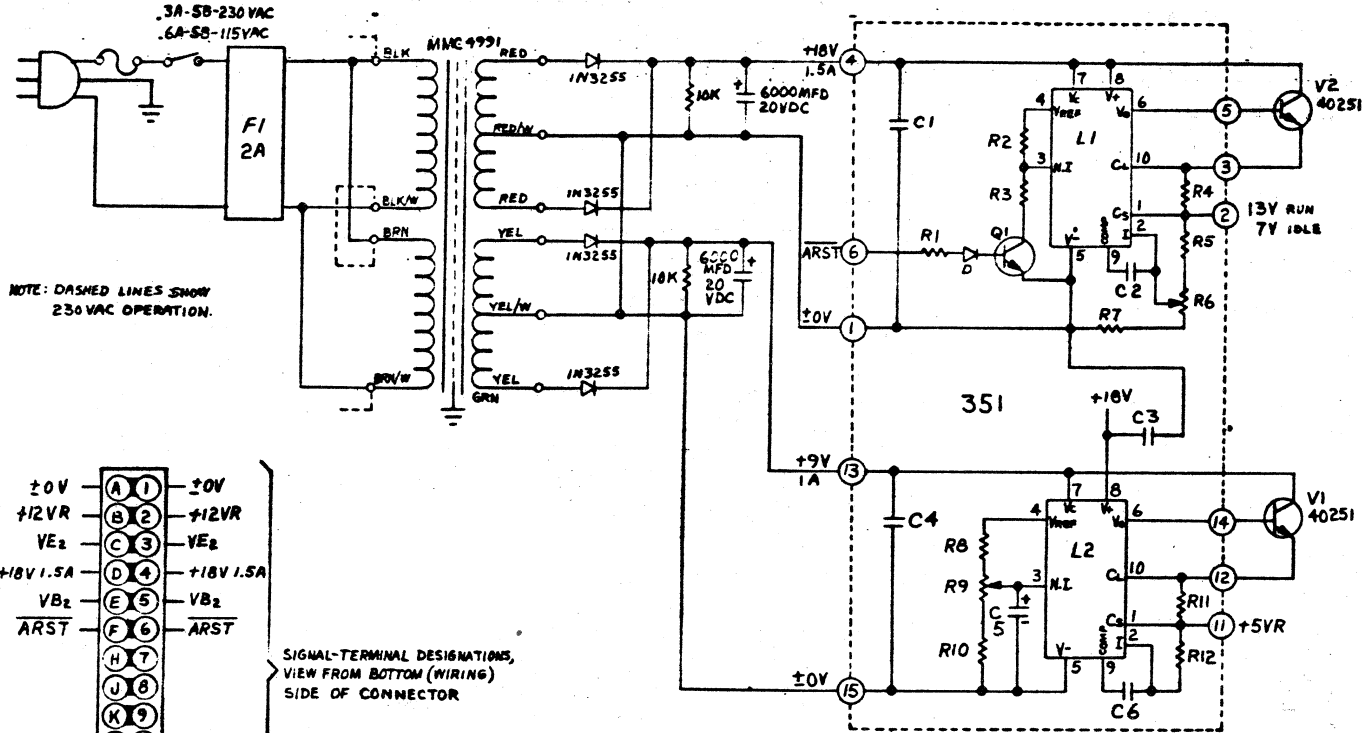
MOTHER BOARD AND POWER SUPPLY

REV 5 6 DATE NO. 6349-1

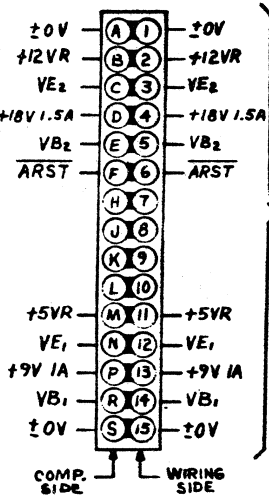
REV	BY	DATE	DESCRIPTION
0	AK	11-17-78	ORIGINATED PER EGN#5457
1	AK	11-17-78	APPROVED PER WJL
2	AK	11-17-78	REVISED PER WJL
3	AK	11-17-78	REVISED PER WJL



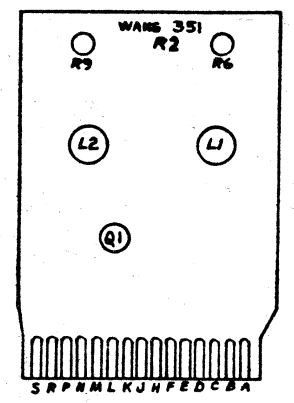
DO NOT SCALE



NOTE: DASHED LINES SHOW 230VAC OPERATION.



SIGNAL-TERMINAL DESIGNATIONS, VIEW FROM BOTTOM (WIRING) SIDE OF CONNECTOR



COMPONENT	SIZE/TYPE	W.L. PART NO.	QTY.
R1	10K 1/4W	330-4010	1
R2,3,5	1K 1/4W	330-3010	3
R4,11	.3Ω 1.5W	333-C044	2
R6,9	1K TRIM POT	336-1001	2
R7	100Ω 1/4W	330-2010	1
R8,12	1.5K 1/4W	330-3015	2
R10	4.7K 1/4W	330-3047	1
C1,3	.047µF MYLAR	300-2348	2
C2,6	220pF CER.	300-1220	2
C4	.05µF CER.	300-1900	1
C5	1µF TANT.	300-4000	1
Q1	MPS 6512	375-1012	1
D	SIL. DIODE (0035)	380-1001	1
L1,2	723 I.C.	376-0066	2

REV	BY	DATE	DESCRIPTION
1	WJS	10-26-73	REVISED PER 10-26-73
2	WJS	11-15-73	REVISED PER 11-15-73
3	WJS	12-10-73	REVISED PER 12-10-73

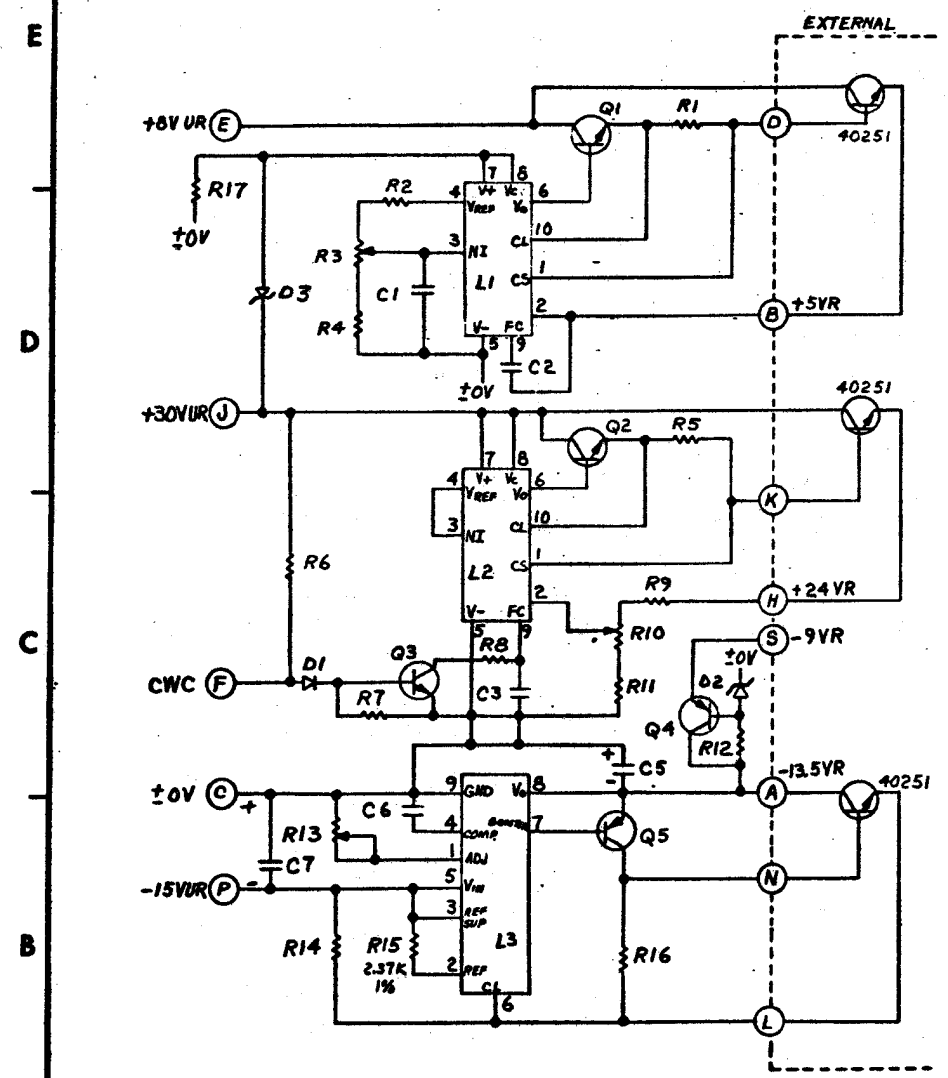
DEC 07 1978

620V
1

IDENT	QTY	NAME	MATERIAL	DESCRIPTION
<p>WANG LABORATORIES, INC. TEWKSBURY, MASS. U. S. A.</p>				
MODE No. 2203		W.O. No.		SCALE
TITLE SCHEMATIC LOGIBLOC #351 PROGRAMABLE POWER SUPPLY				
210-0351		4	C	6467
PART NUMBER		REV	SIZE	DRAWING NUMBER

7 6 5 4 DO NOT SCALE 3 2 1

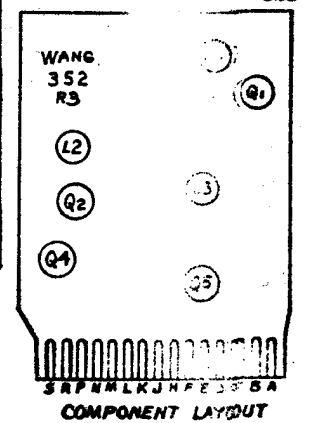
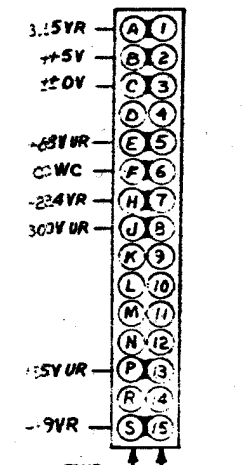
THIS DOCUMENT IS THE PROPERTY OF WANG LABORATORIES INC. AND SHALL NOT BE REPRODUCED OR COPIED, OR USED AS A BASIS FOR THE MANUFACTURE OR SALE OF APPARATUS OR DEVICES WITHOUT PERMISSION.



LOCATION	TYPE	W.L. PART NO.	TEAM NO.	TERM. NO.	QTY.
L1,2	723	376-0066	5	2	2
L3	LM-304	376-0134	9		1

COMPONENT	SIZE/TYPE	W.L. PART NO.	QTY.
R1	1.2 1/2 W	331-0010	1
R2	820Ω 1/4 W	330-2082	1
R3,10	1K TRIM POT	336-1001	2
R4,11	3.3K 1/4 W	330-3033	2
R6,9	8.2K 1/4 W	330-3082	2
R7	1K 1/4 W	330-3010	1
R8	2.2K 1/4 W	330-3022	1
R12	220Ω 1/4 W	330-2022	1
R13	10K TRIM POT	336-1010	1
R14	.25Ω 3W	334-0017	1
R16	100Ω 1/4 W	330-2010	1
C1,2,6	.0014μF 200V	300-1906	3
C5	15μF 20V TANT	300-4022	1
C7	5.6μF 35V TANT	300-4017	1
Q1,2	2N5189	375-1021	2
Q3	2N3014	375-0017	1
Q4,5	2N4037	375-0018	2
Q1,2,4,5	TRANSIPAD	375-9001	4
Q3	TRANSIPAD	375-9004	1
D1	D035 SIL.	380-1001	1
D2	INT58A 10V	380-2100	1
C3	.0024μF 200V	300-1913	1
R5	27Ω 1/2 W	331-0027	1
D3	1N4741 1V 1W	380-2110	1
R17	4.7K 1/4 W	330-3047	1
R15	2.37K 1W	333-0093	1

MOLE LEGEND		
DRILLED OR	HOLE DIA.	TOL.
DRILLED HOLE	.125 to .125	± .001
DRILLED HOLE	.126 to .250	± .001
DRILLED HOLE	.251 to .500	± .001
DESCRIPTION	QTY.	



JAN 0 9 1970

REV.	BY	DATE	DESCRIPTION
1	AK	2-5-74	REV. PER ECN 4024 DELETED C1, C2, C3 FROM .0014μF TO .0024μF. 15C APP'D: [Signature]
2	AK	2-18-75	REV. PER ECN 4227 APP'D: [Signature]
3	AK	2-18-75	REV. PER ECN 4605 4606A, 4606D, 22, 23, 24, 25, 26, 27, 28, 29, 30, 31, 32, 33, 34, 35, 36, 37, 38, 39, 40, 41, 42, 43, 44, 45, 46, 47, 48, 49, 50, 51, 52, 53, 54, 55, 56, 57, 58, 59, 60, 61, 62, 63, 64, 65, 66, 67, 68, 69, 70, 71, 72, 73, 74, 75, 76, 77, 78, 79, 80, 81, 82, 83, 84, 85, 86, 87, 88, 89, 90, 91, 92, 93, 94, 95, 96, 97, 98, 99, 100. APP'D: [Signature]
4	AK	2-18-75	REVISED PER ECN 4750 APP'D: [Signature]

WANG PART NO.	ITEM	QTY.	NAME	MATERIAL	DESCRIPTION
375-9001	Q1,2,4,5	4	TRANSIPAD		
375-9004	Q3	1	TRANSIPAD		
380-1001	D1	1	D035 SIL.		
380-2100	D2	1	INT58A 10V		
300-1913	C3	1	.0024μF 200V		
331-0027	R5	1	27Ω 1/2 W		
380-2110	D3	1	1N4741 1V 1W		
330-3047	R17	1	4.7K 1/4 W		
333-0093	R15	1	2.37K 1W		

WANG LABORATORIES, INC.
 TENNESSEE, MADE U.S.A.
 MODEL NO. W4C/74C/
 224C/2242/2243
 SEE ENGR SPECIFICATIONS
 TOL. EX. AS NOTED
 XX = 010 FRAC = 1/64
 XXX = 005 ANG = 1°/30° FRACTION
 SCALE: 1/8" = 1" DIM 4 OF 7

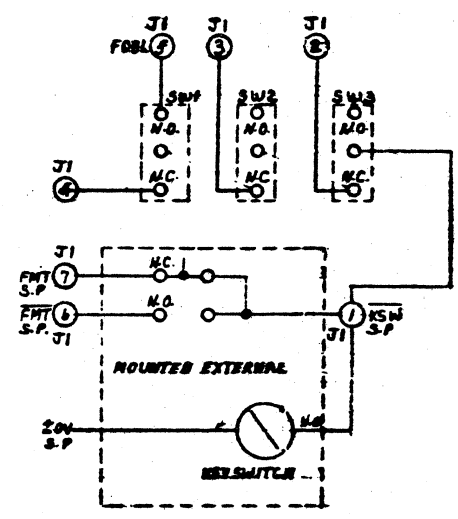
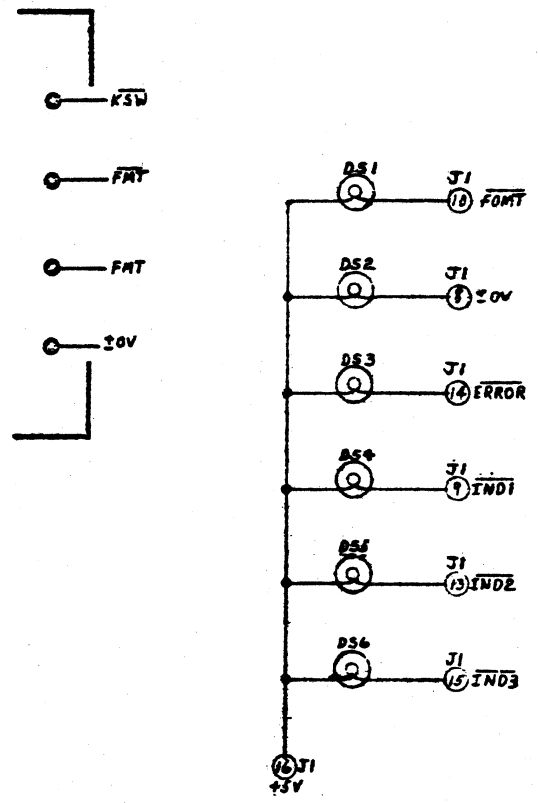
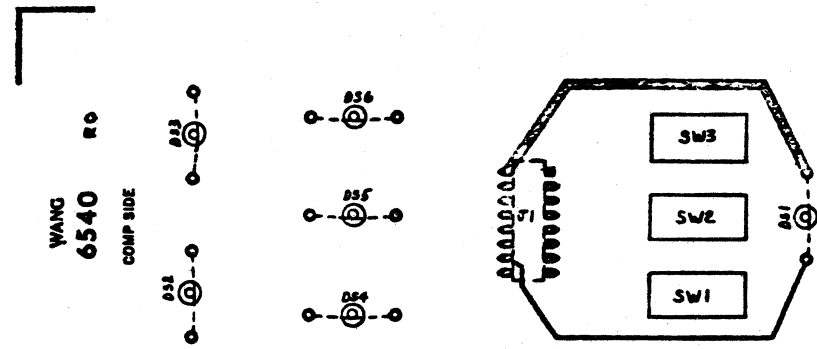
BY	DATE	APPROVED BY	DATE
DWN AK	2-26-75	E ENGR	
CHS	2-26-75	M ENGR	
E C CONTROL		MFG ENGR	

TITLE: SCHEMATIC LOGIBLOC #352 POWER SUPPLY REGULATOR

210 0452 C 6496 4

7 6 5 4 3 2 1

DO NOT SCALE



WANG LABORATORIES, INC.		PL 6540-4	
CONTROL PANEL ASSY.		FRONT PANEL CONTROL	
REV. 1		DATE 3/27/74	
REV.	DATE	DESCRIPTION	BY
1	3/27/74	6540 PC BOARD	
2		SCORPIO 6P1 SWITCH	
3		CRB-820 CLEAR LAMP	
4		16 PIN IC SOCKET CARRIER	
5		IC PAD 16 PIN TENECA #4330	
X		D6540-1	SCHEMATIC
		2243	
		PL 6540-4	

CHANGE IN PROCESS

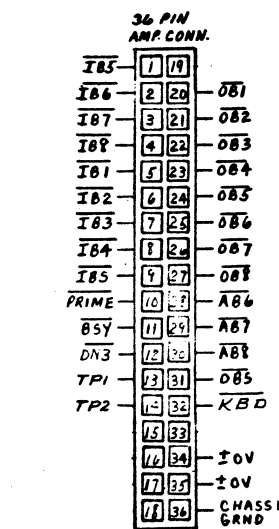
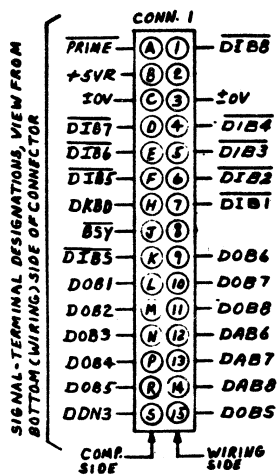
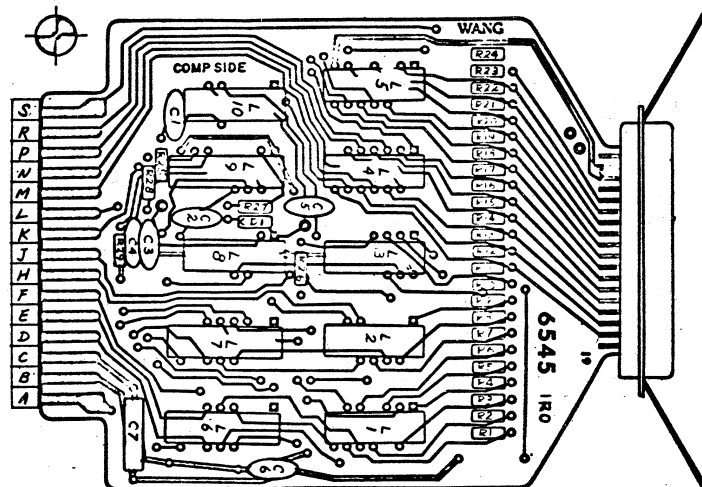
PER **ECN 6714**

DATE NOV 03 1978

DEC 07 1978

REV.	DATE	DESCRIPTION
1	3/27/74	REVISED PER APP-D
2	4/25/74	REVISED PER APP-D

REV.	QTY	NAME	MATERIAL	DESCRIPTION
		WANG LABORATORIES, INC.	DR. H.F.	DATE 3/27/74
		TEWKSBURY, MASS. U. S. A.	CHK	DATE
			APPD	DATE 4/25/74
		MODEL No. 2243	W.O. No.	SCALE
		TITLE SCHEMATIC LOG/BLOC #6540 FRONT PANEL BOARD		
		PART NUMBER	REV SIZE	DRAWING NUMBER
			2 C	6540-1



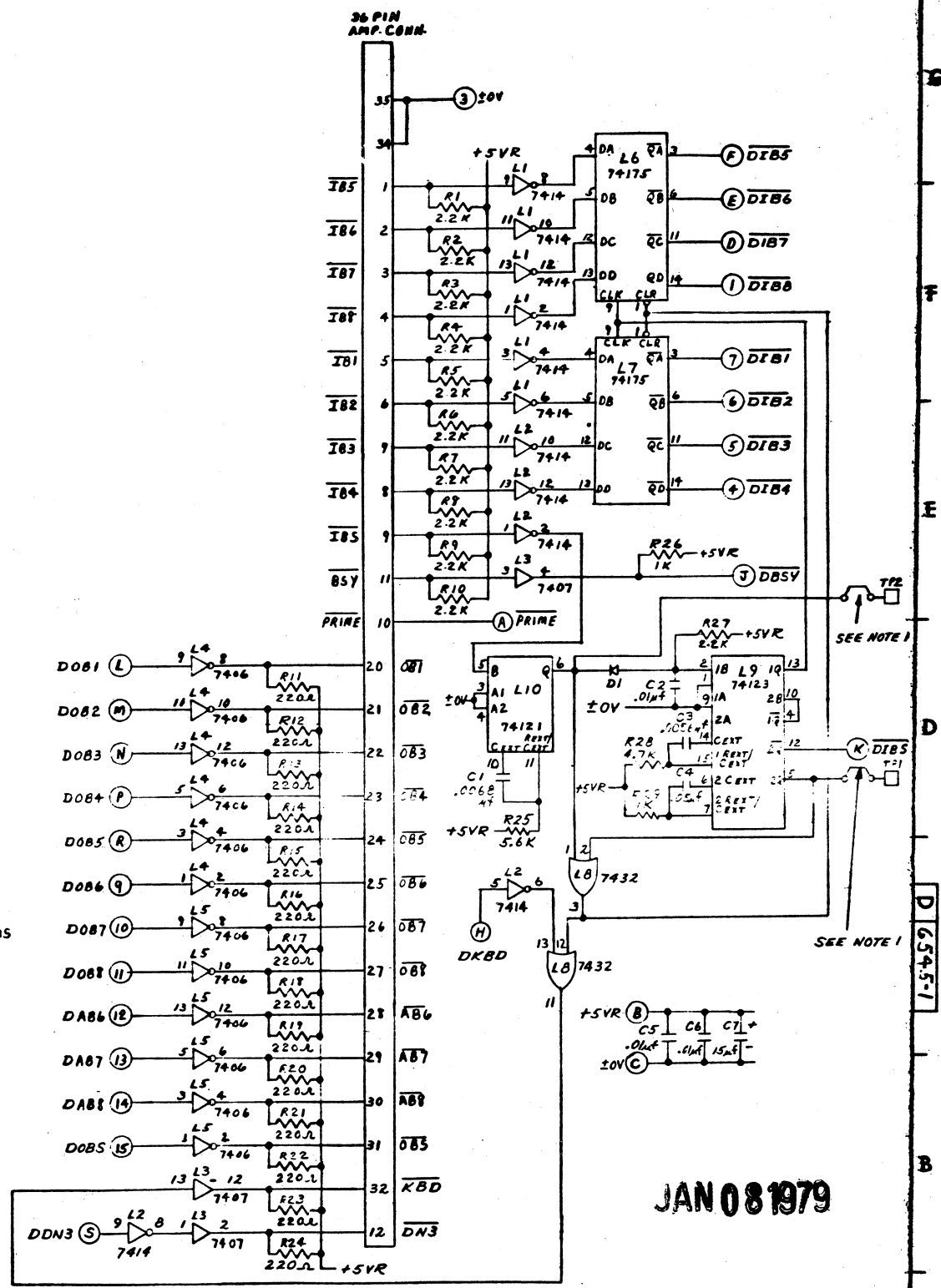
REV. NO.	REV. DATE	REV. DESCRIPTION	LOCATION
1	510-6545	6545 PC BOARD	1
1	576-0051	74121 IC	L3
2	-0055	7406	L4,5
1	-0056	7407	L3
1	-0080	74123	L9
1	-0093	7432	L8
2	-0119	74175	L6,7
2	376-0139	7414 IC	L1,2
1	380-1001 4B	30V SIL DIODE	D1
1	350-1038	J1 57-40360 CONN NON-H BARRIER	4

ALL RESISTORS 1/4 W 10% UNLESS SPECIFIED OTHERWISE

REV. NO.	REV. DATE	REV. DESCRIPTION	LOCATION
3	300-1903	10UF 25V CER CAP	C2,5,6
1	300-4022	5UF 20V TANT CAP	C7
1	300-1900	.05UF 12V CER CAP	C4
1	330-2022 R	220Ω	R11-24
1	-3022 R	22 K	R1-10,27
1	-3047	47 K	R28
1	-3022 R	5.6 K	R25
2	330-3010	1 K	R26,29
1	300-1911	.0068UF CER	C1
1	300-1915	.0056UF CER	C3

I.C. LOCATION	TERM FOR 20V	TERM FOR VCC +5VR
L1,2	7	14
L3	7	14
L4,5	7	14
L6,7	8	16
L8	7	14
L9	8	16
L10	7	14

ECN
 2/11/79 6427
 NO. PKG
 PENDING E6545

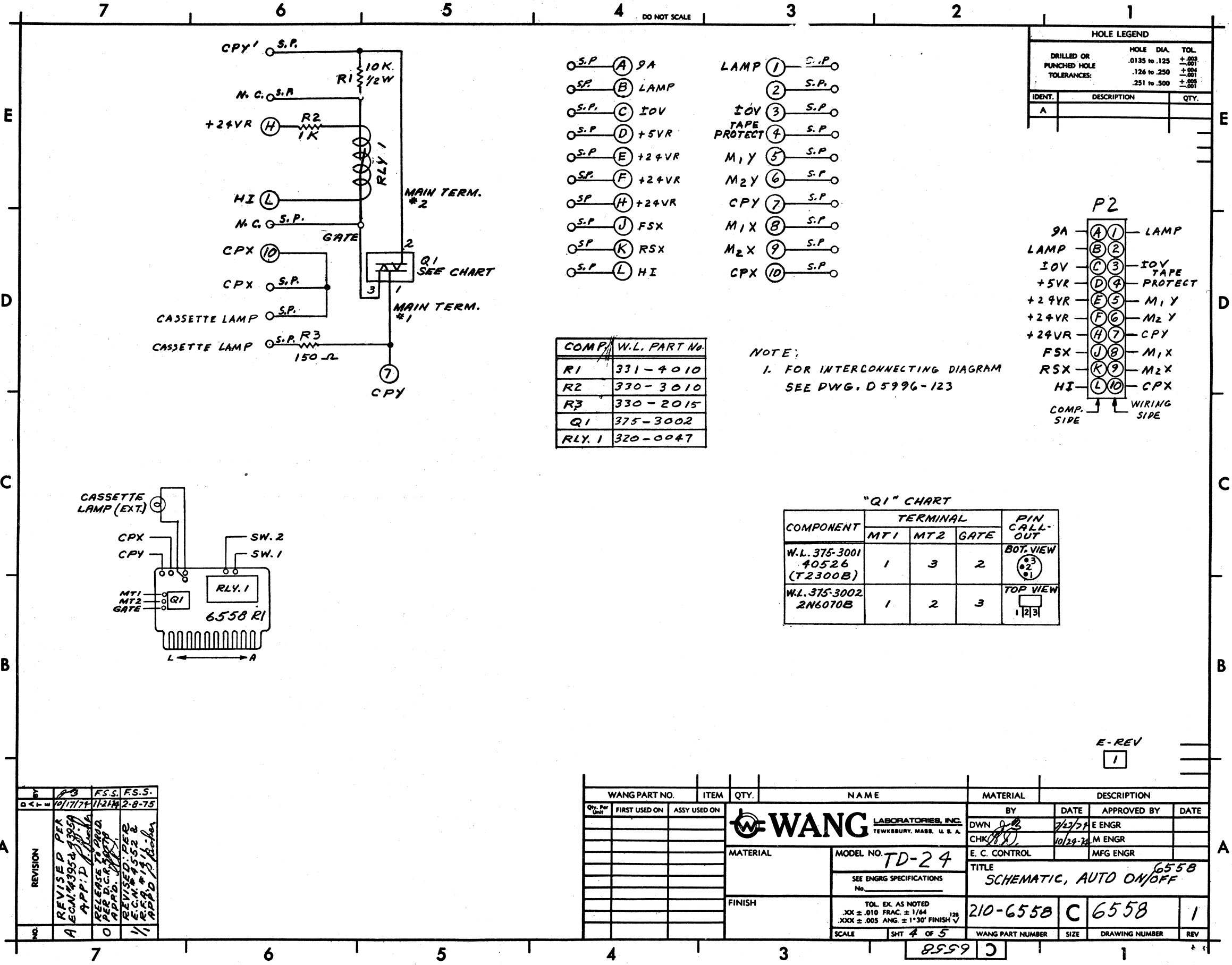


NOTE: 1. JUMPERS ON TEST POINTS TPI AND TPE SHALL BE DISCONNECTED AFTER TESTING.

JAN 08 1979

REVISION	R.F.	R.F.	R.K.
1	5-2-74	5-3-74	6-15-74
2	REVISED PER APP'D	REVISED PER APP'D	CHANGED PER APP'D

WANG LABORATORIES INC.
 TEWKSBURY, MASS.
 MODEL NO. 2224
 DRAWN: H.F. 4/11/75
 CHECKED: J.P. 12-21-76
 TITLE: SCHEMATIC LOGIC LOGIC #6545 DISK MULTIPLEXER
 SHEET 4 OF 5
 REV. NO. D 6545-1

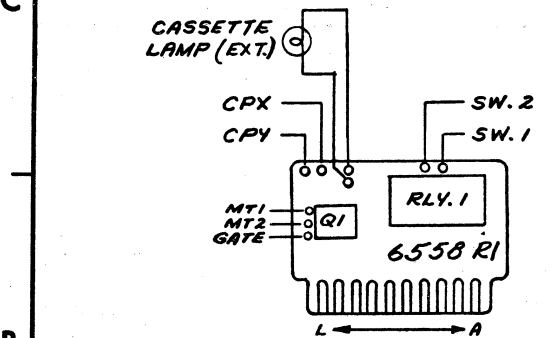
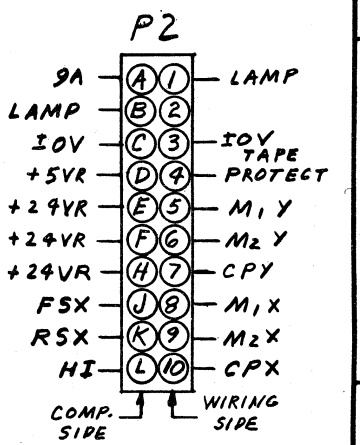


- S.P. (A) 9A
 - S.P. (B) LAMP
 - S.P. (C) IOV
 - S.P. (D) +5VR
 - S.P. (E) +24VR
 - S.P. (F) +24VR
 - S.P. (H) +24VR
 - S.P. (J) FSX
 - S.P. (K) RSX
 - S.P. (L) HI
- LAMP (1) S.P.
 - (2) S.P.
 - IOV (3) S.P.
 - TAPE PROTECT (4) S.P.
 - M₁Y (5) S.P.
 - M₂Y (6) S.P.
 - CPY (7) S.P.
 - M₁X (8) S.P.
 - M₂X (9) S.P.
 - CPX (10) S.P.

COMP	W.L. PART No.
R1	331-4010
R2	330-3010
R3	330-2015
Q1	375-3002
RLY. 1	320-0047

NOTE:
1. FOR INTERCONNECTING DIAGRAM SEE DWG. D 5996-123

HOLE LEGEND		
DRILLED OR PUNCHED HOLE TOLERANCES:	HOLE DIA.	TOL.
	.0135 to .125	+ .001
	.126 to .250	+ .004
	.251 to .500	+ .008



COMPONENT	TERMINAL			PIN CALL-OUT
	MT1	MT2	GATE	
W.L. 375-3001 40526 (T2300B)	1	3	2	BOT. VIEW ③ ② ①
W.L. 375-3002 2N6070B	1	2	3	TOP VIEW 1 2 3

REV	DATE	BY	APP'D	REASON
0	10/17/74	F.S.S.		
1	11/21/74	F.S.S.		
2	2-8-75	F.S.S.		

WANG PART NO.	ITEM	QTY.	NAME	MATERIAL	DESCRIPTION
210-6558	C	1	6558		



MODEL NO. TD-24

SEE ENGRG SPECIFICATIONS

TOL. EX. AS NOTED
.XX ± .010 FRAC. ± 1/64
.XXX ± .005 ANG. ± 1°30' FINISH

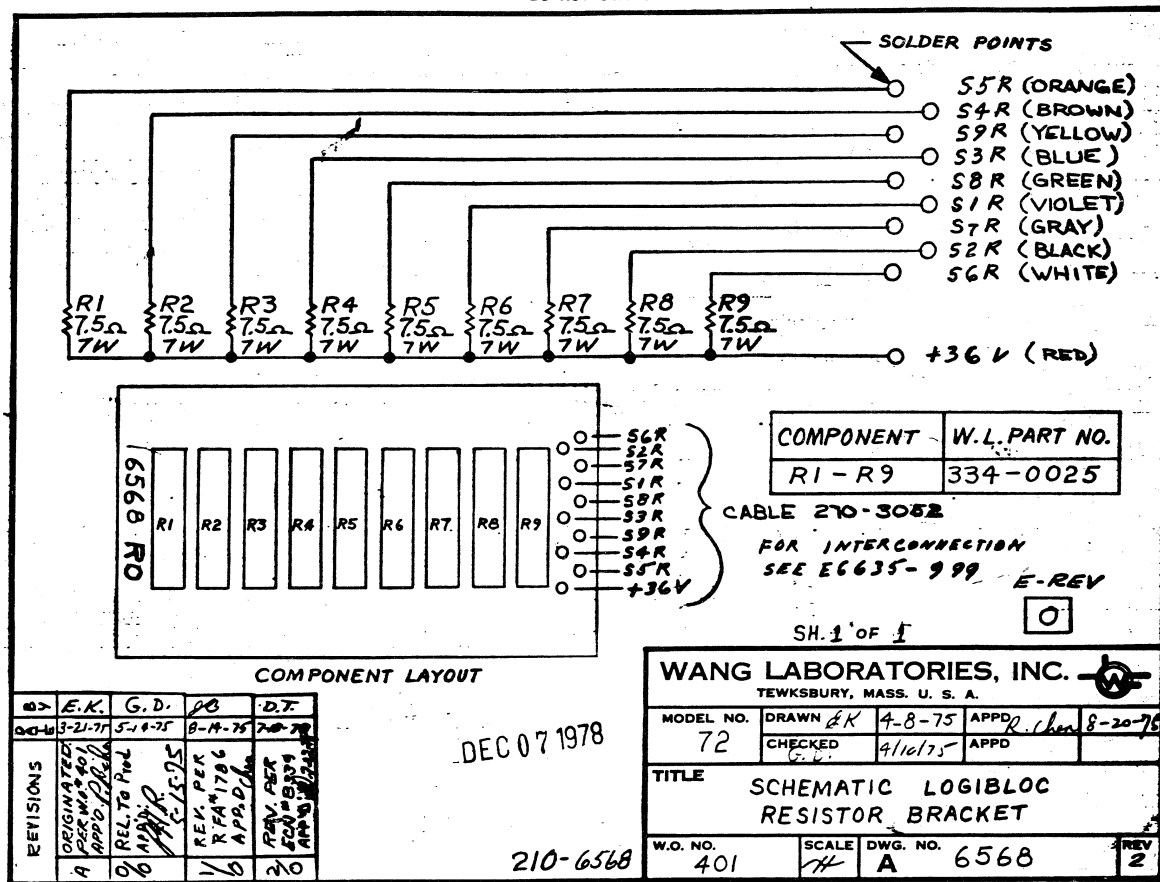
BY	DATE	APPROVED BY	DATE
DWN	7/27/74	E ENGR	
CHK	10/29-74	M ENGR	
E. C. CONTROL		MFG ENGR	

TITLE: SCHEMATIC, AUTO ON/OFF

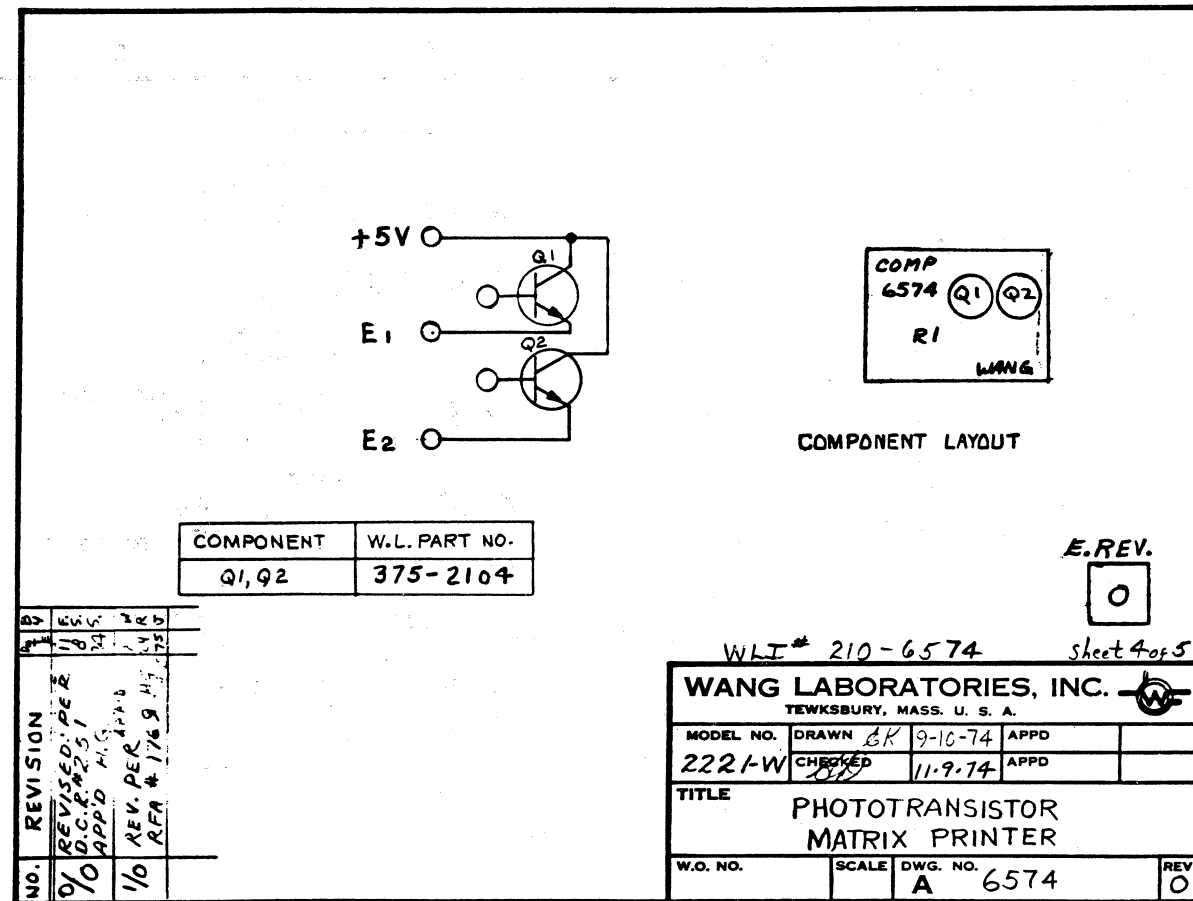
SCALE	SHT	OF	WANG PART NUMBER	SIZE	DRAWING NUMBER	REV
	4	5	210-6558	C	6558	1

E-REV
1

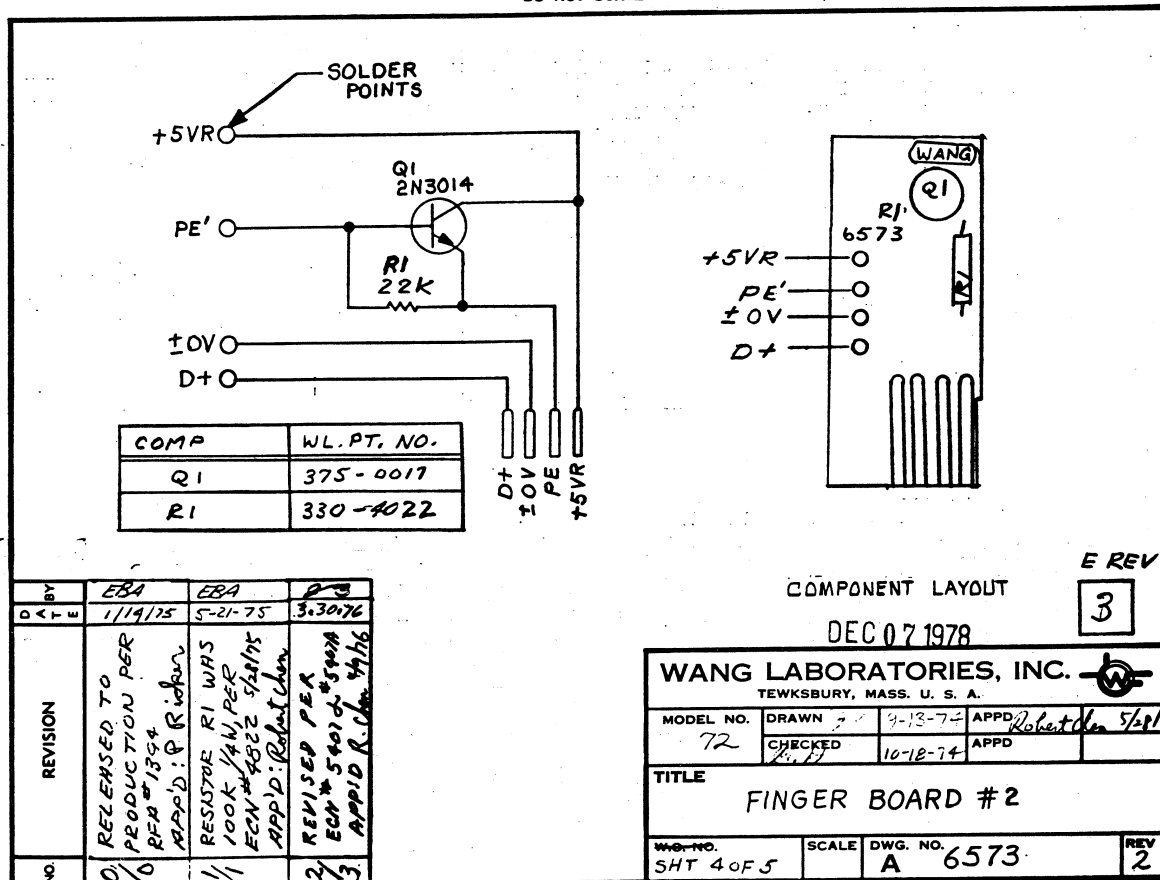
DO NOT SCALE



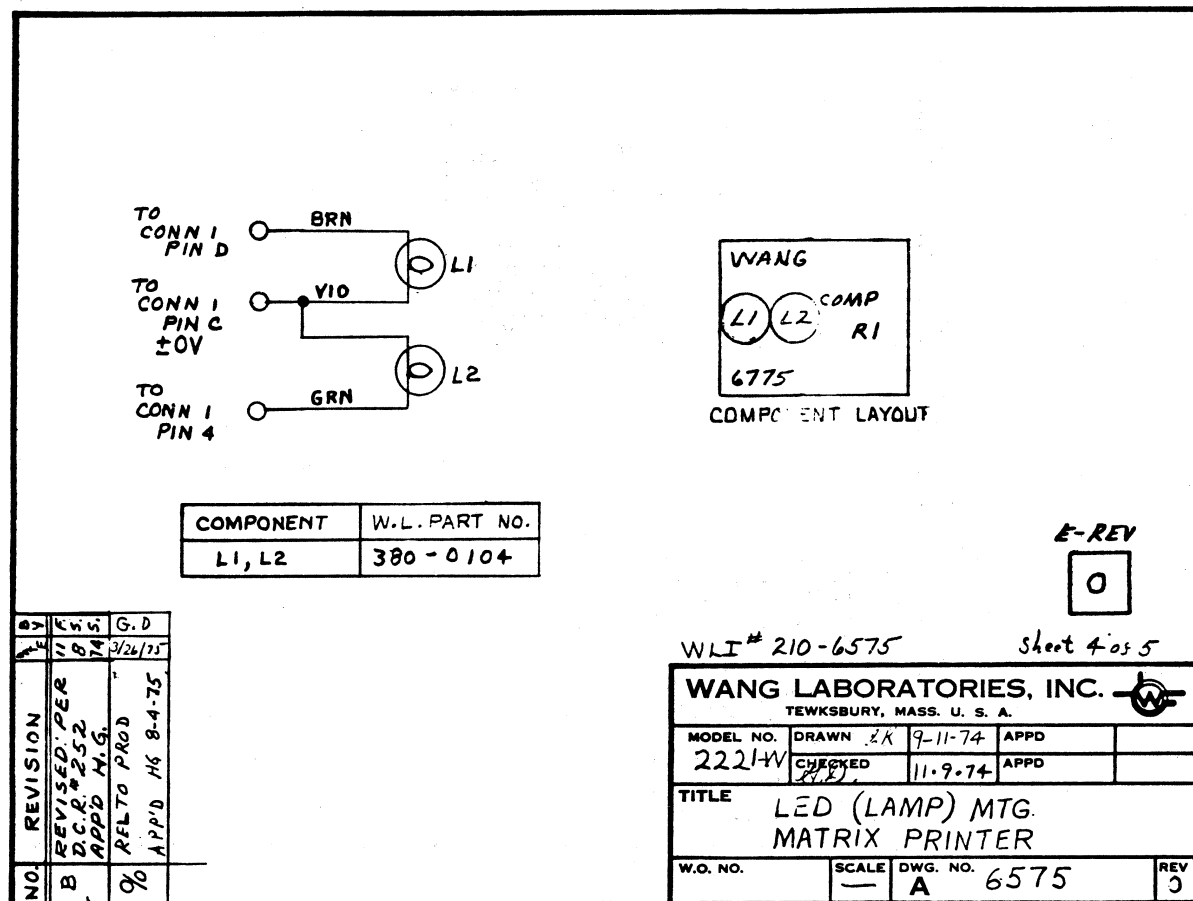
DO NOT SCALE

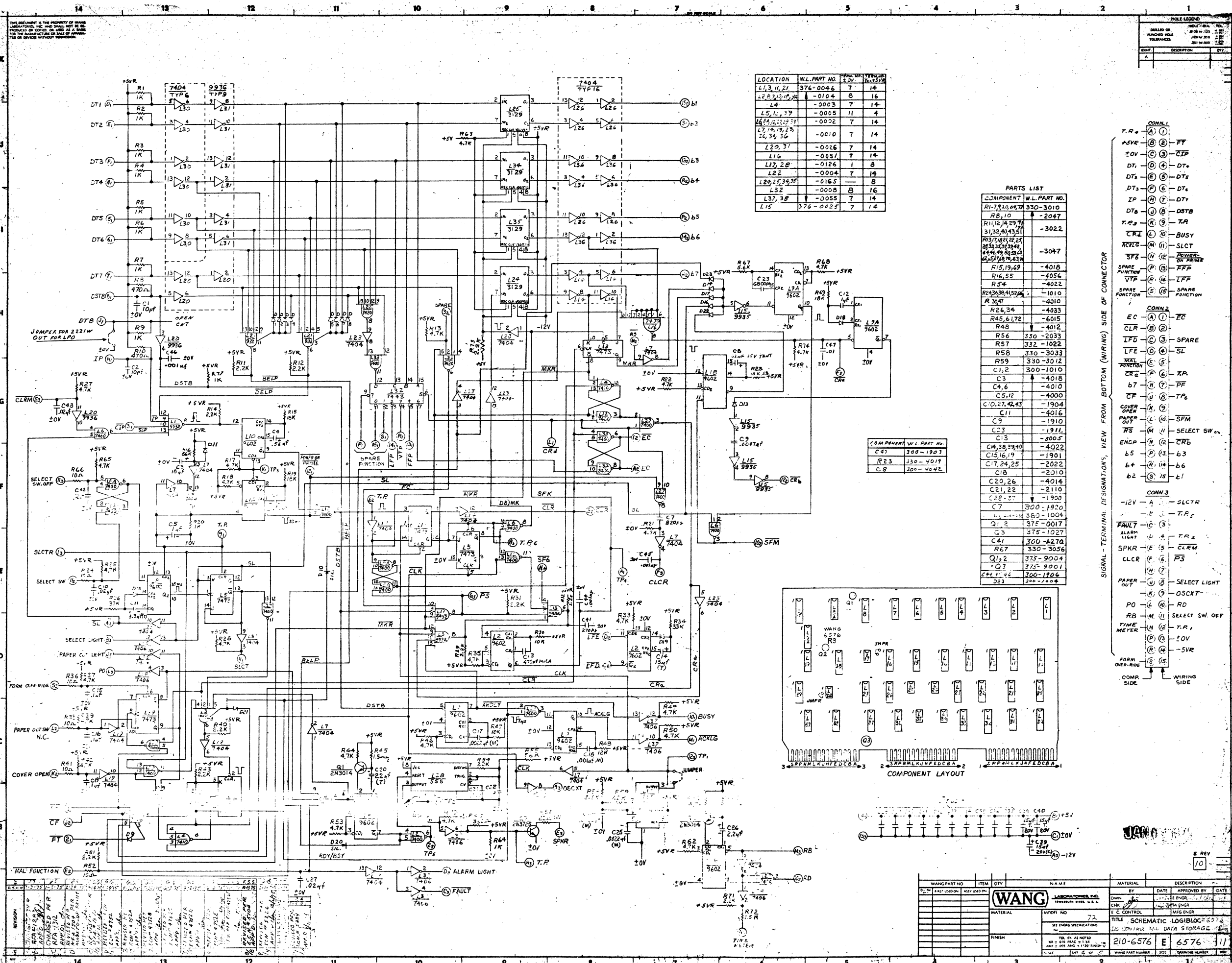


DO NOT SCALE



DO NOT SCALE

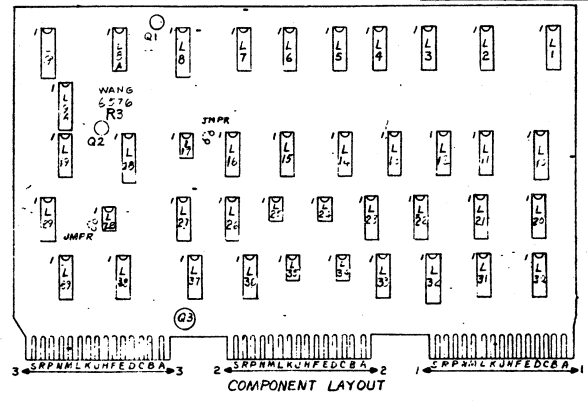




LOCATION	W.L. PART NO.	REV.	DATE
L1,3,14,21	376-0046	1	10/25/54
L2,5,7,10,17,18,19,20,22,23,24,25,26,34,36	-0104	8	14
L4	-0003	7	14
L5,12,39	-0005	11	4
L6,9,11,13,15,16,17,18,19,20,22,23,24,25,26,34,36	-0002	7	14
L20,31	-0026	7	14
L16	-0031	7	14
L17,28	-0126	1	8
L22	-0004	7	14
L24,25,34,35	-0165	8	8
L32	-0008	8	16
L37,38	-0055	7	14
L15	376-0025	7	14

COMPONENT	W.L. PART NO.
R1-7,10,4,7	330-3010
R8,10	-2047
R11,12,14,29,31,32,40,43,51	-3022
R13,17,18,21,22,25,28,33,35,39,42,44,46,49,50,52,53,54,57,58,63	-3047
R15,19,69	-4018
R16,55	-4056
R54	-4022
R24,36,41,52,66	-1010
R30,41	-4010
R26,34	-4033
R45,6,172	-4015
R48	-4012
R56	330-2033
R57	332-1022
R58	330-3033
R59	330-3012
C1,2	300-1010
C3	-4018
C4,6	-4010
C5,12	-4000
C10,27,42,43	-1904
C11	-4016
C9	-1910
C23	-1911
C13	-3005
C4,38,39,40	-4022
C15,16,19	-1901
C17,24,25	-2022
C18	-2010
C20,26	-4014
C21,22	-2110
C28-31	-1920
C7	300-1920
L1,2,3,4,5,6,7,8,9,10,11,12,13,14,15,16,17,18,19,20,21,22,23,24,25,26,27,28,29,30,31,32,33,34,35,36,37,38,39,40,41,42,43,44,45,46,47,48,49,50,51,52,53,54,55,56,57,58,59,60,61,62,63,64,65,66,67,68,69,70,71,72,73,74,75,76,77,78,79,80,81,82,83,84,85,86,87,88,89,90,91,92,93,94,95,96,97,98,99,100	330-1004
Q1,2	375-0017
Q3	375-1027
C41	300-4270
R67	330-3056
Q1,2	375-9004
Q3	375-9001
C41,2	300-1706
D23	300-1004

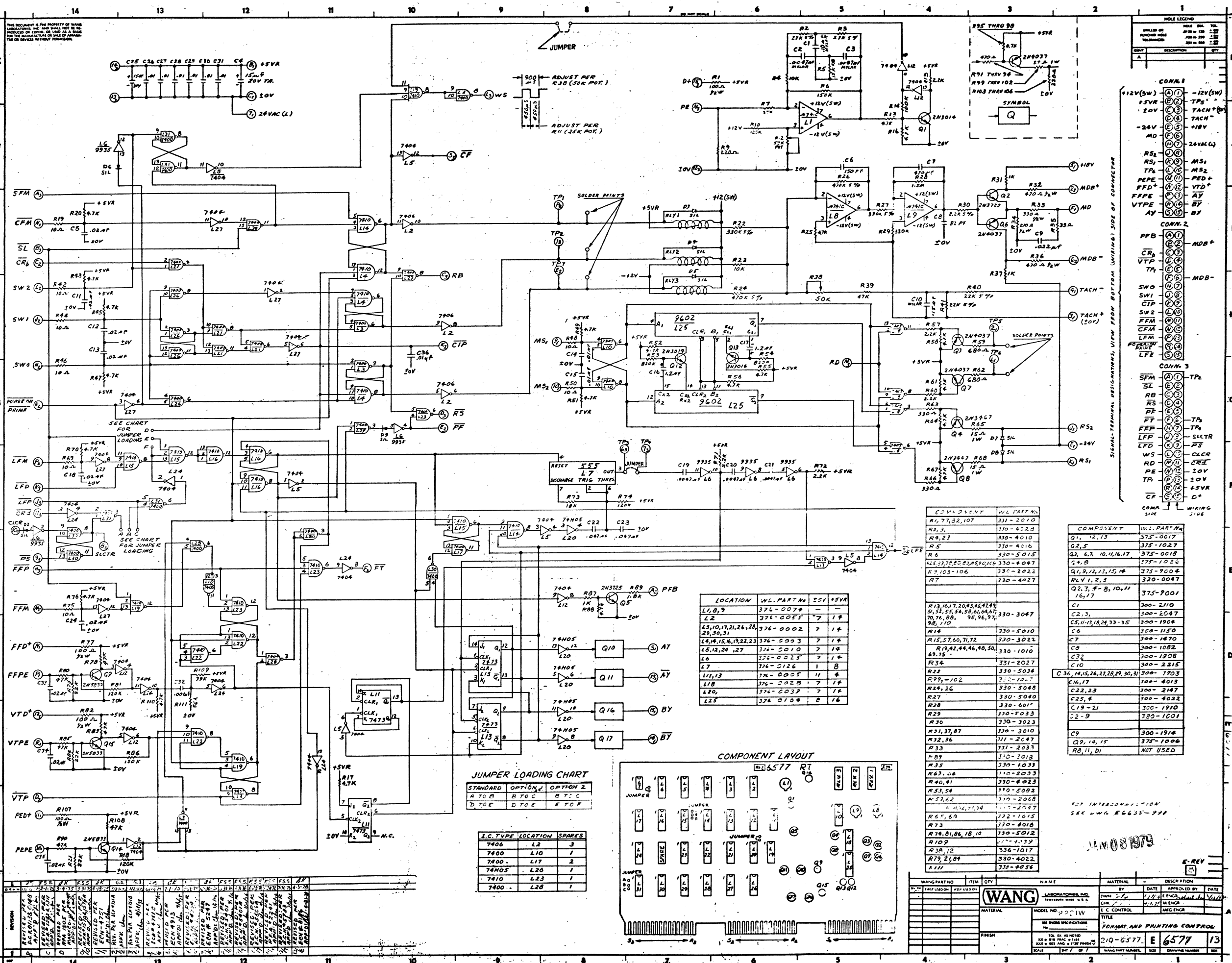
COMPONENT	W.L. PART NO.
C47	300-1907
R23	330-4019
C8	300-4042



- SIGNAL - TERMINAL DESIGNATIONS, VIEW FROM BOTTOM (WIRING) SIDE OF CONNECTOR
- CONV.1
 - A1 - FT
 - B2 - FT
 - C3 - CIP
 - D4 - DT
 - E5 - DT
 - F6 - DT
 - G7 - DT
 - H8 - DT
 - I9 - DT
 - J10 - DT
 - K11 - DT
 - L12 - DT
 - M13 - DT
 - N14 - DT
 - O15 - DT
 - P16 - DT
 - Q17 - DT
 - R18 - DT
 - S19 - DT
 - T20 - DT
 - U21 - DT
 - V22 - DT
 - W23 - DT
 - X24 - DT
 - Y25 - DT
 - Z26 - DT
 - CONV.2
 - EC - EC
 - CLR - CLR
 - IFD - SPARE
 - LFE - SL
 - CR - XA
 - b7 - PF
 - CF - TP
 - COVER OPEN - SFM
 - PAPER OUT - SFM
 - RS - SELECT SW
 - ENDP - CRB
 - b5 - b3
 - b4 - b6
 - b2 - b1
 - CONV.3
 - 12V - SLCTR
 - K - T.P.
 - FAULT - FT
 - ALARM LIGHT - T.P.
 - SPKR - CLRM
 - CLCR - FS
 - PAPER OUT - SELECT LIGHT
 - PO - OSCXT
 - RD - RD
 - RB - SELECT SW OFF
 - TIME METER - T.P.
 - FORM OVER-RIDE - 10V
 - COMR SIDE - 5V
 - WIRING SIDE

REV.	DESCRIPTION	DATE	BY	APPROVED BY
1	INITIAL DESIGN	10/25/54	J. WANG	
2	REVISED SCHEMATIC	11/15/54	J. WANG	
3	REVISED SCHEMATIC	12/15/54	J. WANG	
4	REVISED SCHEMATIC	1/15/55	J. WANG	
5	REVISED SCHEMATIC	2/15/55	J. WANG	
6	REVISED SCHEMATIC	3/15/55	J. WANG	
7	REVISED SCHEMATIC	4/15/55	J. WANG	
8	REVISED SCHEMATIC	5/15/55	J. WANG	
9	REVISED SCHEMATIC	6/15/55	J. WANG	
10	REVISED SCHEMATIC	7/15/55	J. WANG	
11	REVISED SCHEMATIC	8/15/55	J. WANG	
12	REVISED SCHEMATIC	9/15/55	J. WANG	
13	REVISED SCHEMATIC	10/15/55	J. WANG	
14	REVISED SCHEMATIC	11/15/55	J. WANG	

WANG PART NO.	ITEM	QTY	NAME	MATERIAL	DESCRIPTION
210-6576	E	1	SCHEMATIC LOGIBLOC		
210-6576	E	1	SCHEMATIC LOGIBLOC		



HOLE LEGEND

GROUP NO.	GROUP NAME	NO. OF HOLES	SIZE
1	DRILL	10	1/16"
2	DRILL	10	1/8"
3	DRILL	10	1/4"
4	DRILL	10	3/8"
5	DRILL	10	1/2"
6	DRILL	10	5/8"
7	DRILL	10	3/4"
8	DRILL	10	7/8"
9	DRILL	10	1"
10	DRILL	10	1 1/8"
11	DRILL	10	1 1/4"
12	DRILL	10	1 3/8"
13	DRILL	10	1 1/2"
14	DRILL	10	1 3/4"
15	DRILL	10	1 7/8"
16	DRILL	10	2"
17	DRILL	10	2 1/8"
18	DRILL	10	2 1/4"
19	DRILL	10	2 3/8"
20	DRILL	10	2 1/2"
21	DRILL	10	2 7/8"
22	DRILL	10	3"
23	DRILL	10	3 1/8"
24	DRILL	10	3 1/4"
25	DRILL	10	3 3/8"
26	DRILL	10	3 1/2"
27	DRILL	10	3 7/8"
28	DRILL	10	4"
29	DRILL	10	4 1/8"
30	DRILL	10	4 1/4"
31	DRILL	10	4 3/8"
32	DRILL	10	4 1/2"
33	DRILL	10	4 7/8"
34	DRILL	10	5"
35	DRILL	10	5 1/8"
36	DRILL	10	5 1/4"
37	DRILL	10	5 3/8"
38	DRILL	10	5 1/2"
39	DRILL	10	5 7/8"
40	DRILL	10	6"

SIGNAL TERMINAL DESIGNATIONS, VIEW FROM BOTTOM (WIRING SIDE OF CONNECTOR)

CONNECTOR	TERMINAL	DESIGNATION
CONN 1	1	-12V (SW)
	2	TP2
	3	TACH+
	4	TACH-
	5	+18V
	6	24VAC(L)
	7	MS1
	8	MS2
	9	PED+
	10	VTD+
CONN 2	1	MDB+
	2	MDB-
	3	MDB+
	4	MDB-
	5	TACH-
	6	TACH+ (COV)
	7	TP5
	8	TP6
	9	TP7
	10	TP8
CONN 3	1	TP1
	2	TP2
	3	TP3
	4	TP4
	5	TP5
	6	TP6
	7	TP7
	8	TP8
	9	TP9
	10	TP10

LOCATION W.L. PART NO. SOI. ±SVR.

L1, 8, 9	376-0074	-	-
L2	376-0055	7	1 F
L3, 10, 17, 21, 26, 28, 29, 30, 31	376-0002	7	1 F
L4, 14, 15, 16, 18, 22, 23	376-0003	7	1 F
L5, 12, 24, 27	376-0010	7	1 F
L6	376-0025	7	1 F
L7	376-0126	1	B
L11, 13	376-0005	11	4
L18	376-0028	7	1 F
L20	376-0032	7	1 F
L25	376-0104	8	16

COMPONENT W.L. PART NO.

R1, 77, 82, 107	330-2010
R2, 3	330-4028
R4, 23	330-4010
R5	330-4016
R6	330-5015
R5, 37, 50, 55, 56, 58, 61, 64, 67	330-4047
R9, 103-106	330-2022
R7	330-4027
R13, 16, 17, 20, 43, 45, 49, 51, 54, 55, 58, 59, 61, 64, 67, 70, 76, 88, 95, 96, 97, 98, 110	330-3047
R14	330-5010
R15, 57, 60, 71, 72	330-3022
R19, 42, 44, 46, 48, 50, 69, 75	330-1010
R34	331-2027
R22	330-5036
R99, -102	330-1017
R24, 26	330-5048
R27	330-5040
R28	330-6017
R29	330-5033
R30	330-3023
R31, 37, 87	330-3010
R32, 36	331-2047
R33	331-2033
R39	330-2018
R35	330-1033
R63, 44	330-2033
R40, 41	330-4023
R53, 54	330-1002
R57, 62	330-2068
R4, 41, 52, 54, 54	330-2047
R65, 68	332-1015
R73	330-4018
R14, 81, 86, 18, 10	330-5012
R109	330-4033
R38, 12	336-1017
R79, 21, 84	330-4022
R111	330-4036

COMPONENT W.L. PART NO.

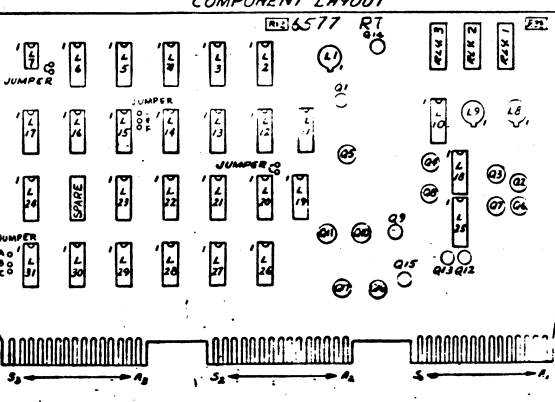
Q1, 12, 13	375-0017
Q2, 5	375-1027
Q3, 6, 7, 10, 11, 16, 17	375-0018
Q4, 9	375-1022
Q1, 9, 12, 13, 15, 14	375-9004
RLV 1, 2, 3	330-0047
Q2, 3, 4, 8, 10, 11, 16, 17	375-9001
C1	300-2110
C2, 3	300-2047
C5, 11, 13, 18, 24, 33-35	300-1904
C6	300-1150
C7	300-1470
C8	300-1082
C32	300-1908
C10	300-2215
C36, 14, 15, 24, 27, 28, 29, 30, 31	300-1703
C16, 17	300-4013
C22, 23	300-2147
C25, 4	300-4022
C19-21	300-1910
C2-9	320-1001
C9	300-1914
C8, 14, 15	375-1006
C1	NOT USED

JUMPER LOADING CHART

STANDARD	OPTION 1	OPTION 2
A TO B	B TO C	B TO C
D TO E	D TO E	E TO F

I.C. TYPE LOCATION SPARES

7406	L2	3
7400	L10	1
7400	L17	2
74NDS	L20	1
7410	L23	1
7400	L28	1



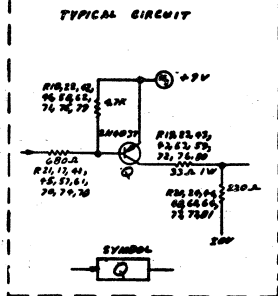
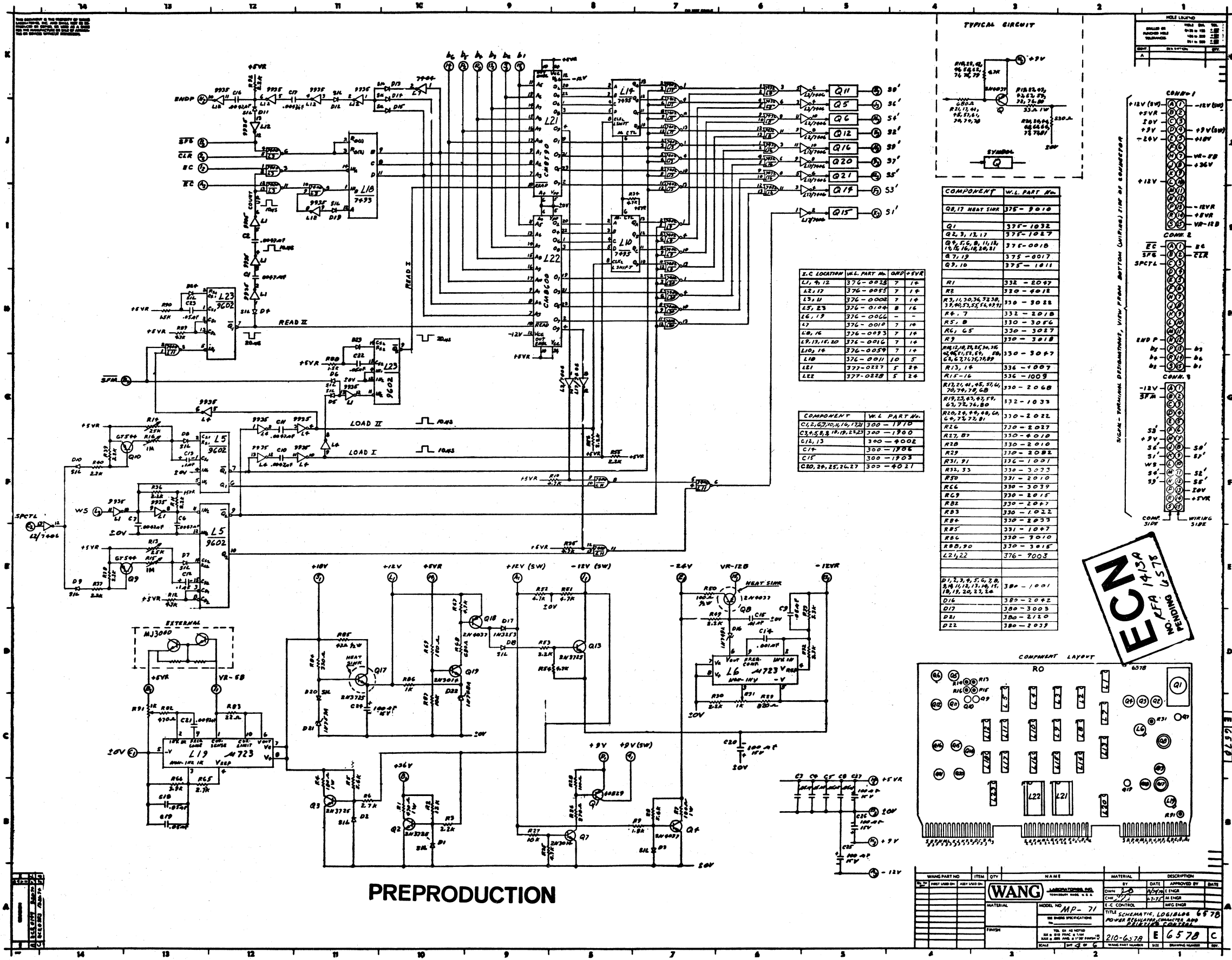
WANG LABORATORIES, INC.

WANG PART NO.	ITEM	QTY.	NAME	MATERIAL	DESCRIPTION
21Q-6577	E	13	WANG PART NAME <td>SIZE</td> <td>DRAWING NUMBER</td>	SIZE	DRAWING NUMBER

DATE APPROVED BY DATE

OWN	1/13/79	ENGR.	WANG
CHK	1/17/79	ENGR.	WANG

SCALE: 1/8" = 1"

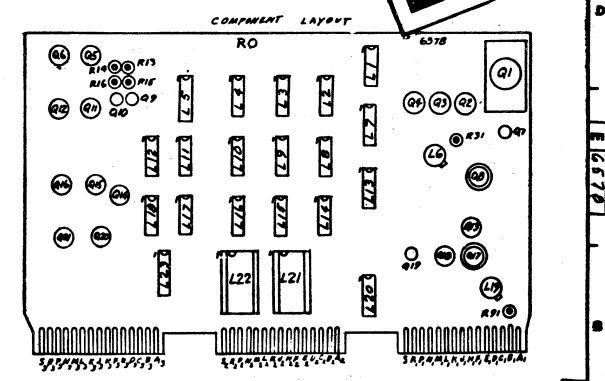


I.C. LOCATION	W.L. PART No.	QTY	+5V
L1, 9, 12	376-0028	7	16
L2, 17	376-0055	7	16
L3, 11	376-0000	7	16
L5, 23	376-0104	8	16
L6, 19	376-0066	-	-
L7	376-0019	7	16
L8, 16	376-0093	7	16
L9, 13, 15, 20	376-0016	7	16
L10, 18	376-0059	7	16
L18	376-0011	10	5
L21	377-0227	5	24
L22	377-0228	5	24

COMPONENT	W.L. PART No.	QTY
C1, 2, 7, 10, 11, 14, 17, 21	300-1910	1
C3, 4, 5, 8, 18, 19, 22, 23	300-1900	1
C12, 13	300-4002	1
C14	300-1906	1
C15	300-1903	1
C20, 24, 25, 26, 27	300-4021	1

COMPONENT	W.L. PART No.	QTY
Q1, 17 HEAT SHK	375-9010	1
Q1	375-1032	1
Q2, 3, 13, 17	375-1027	1
Q4, 5, 6, 14, 15, 16, 18, 20, 21	375-0010	1
Q7, 12	375-0017	1
Q8, 10	375-1011	1
R1	332-2047	1
R2	330-6012	1
R3, 11, 30, 36, 37, 38, 39, 40, 41, 42, 43, 44, 45, 46, 47, 48, 49, 50, 51	330-3022	1
R4, 7	332-2010	1
R5, 8	330-3046	1
R6, 15	330-3027	1
R7	330-3018	1
R8, 12, 16, 22, 24, 25, 26, 27, 28, 29, 31, 32, 33, 34, 35, 36, 37, 38, 39, 40, 41, 42, 43, 44, 45, 46, 47, 48, 49, 50, 51	330-3047	1
R13, 18	336-1007	1
R15-16	336-1003	1
R17, 21, 41, 45, 51, 54, 55, 56, 57, 58, 59	330-2068	1
R19, 23, 43, 45, 47, 48, 49, 52, 53, 54, 55	332-1033	1
R20, 22, 44, 48, 49, 54, 55, 56, 57, 58, 59	330-2022	1
R22	330-2027	1
R27, 27	330-4010	1
R28	330-2010	1
R29	330-2022	1
R30	330-3033	1
R31, 31	336-1001	1
R32, 33	330-3033	1
R34	330-2010	1
R36	330-3039	1
R39	330-2015	1
R42	330-2047	1
R43	330-1022	1
R44	330-2033	1
R45	331-1027	1
R46	330-7010	1
R48, 50	330-3015	1
L21, 22	376-7003	1
D1, 2, 3, 4, 5, 6, 20, 21, 14, 15, 16, 17, 18, 19, 20, 23, 24	380-1001	1
D16	380-2042	1
D17	380-3003	1
D21	380-2120	1
D22	380-2039	1

ECN
1415A
RFA
1415A
MOUNTING



WANG PART NO.	ITEM	QTY	NAME	MATERIAL	DESCRIPTION
375-1032	Q1	1	375-1032	375-1032	375-1032
375-1027	Q2, 3, 13, 17	1	375-1027	375-1027	375-1027
375-0010	Q4, 5, 6, 14, 15, 16, 18, 20, 21	1	375-0010	375-0010	375-0010
375-0017	Q7, 12	1	375-0017	375-0017	375-0017
375-1011	Q8, 10	1	375-1011	375-1011	375-1011
332-2047	R1	1	332-2047	332-2047	332-2047
330-6012	R2	1	330-6012	330-6012	330-6012
330-3022	R3, 11, 30, 36, 37, 38, 39, 40, 41, 42, 43, 44, 45, 46, 47, 48, 49, 50, 51	1	330-3022	330-3022	330-3022
332-2010	R4, 7	1	332-2010	332-2010	332-2010
330-3046	R5, 8	1	330-3046	330-3046	330-3046
330-3027	R6, 15	1	330-3027	330-3027	330-3027
330-3018	R7	1	330-3018	330-3018	330-3018
330-3047	R8, 12, 16, 22, 24, 25, 26, 27, 28, 29, 31, 32, 33, 34, 35, 36, 37, 38, 39, 40, 41, 42, 43, 44, 45, 46, 47, 48, 49, 50, 51	1	330-3047	330-3047	330-3047
336-1007	R13, 18	1	336-1007	336-1007	336-1007
336-1003	R15-16	1	336-1003	336-1003	336-1003
330-2068	R17, 21, 41, 45, 51, 54, 55, 56, 57, 58, 59	1	330-2068	330-2068	330-2068
332-1033	R19, 23, 43, 45, 47, 48, 49, 52, 53, 54, 55	1	332-1033	332-1033	332-1033
330-2022	R20, 22, 44, 48, 49, 54, 55, 56, 57, 58, 59	1	330-2022	330-2022	330-2022
330-2027	R22	1	330-2027	330-2027	330-2027
330-4010	R27, 27	1	330-4010	330-4010	330-4010
330-2010	R28	1	330-2010	330-2010	330-2010
330-2022	R29	1	330-2022	330-2022	330-2022
330-3033	R30	1	330-3033	330-3033	330-3033
336-1001	R31, 31	1	336-1001	336-1001	336-1001
330-3033	R32, 33	1	330-3033	330-3033	330-3033
330-2010	R34	1	330-2010	330-2010	330-2010
330-3039	R36	1	330-3039	330-3039	330-3039
330-2015	R39	1	330-2015	330-2015	330-2015
330-2047	R42	1	330-2047	330-2047	330-2047
330-1022	R43	1	330-1022	330-1022	330-1022
330-2033	R44	1	330-2033	330-2033	330-2033
331-1027	R45	1	331-1027	331-1027	331-1027
330-7010	R46	1	330-7010	330-7010	330-7010
330-3015	R48, 50	1	330-3015	330-3015	330-3015
376-7003	L21, 22	1	376-7003	376-7003	376-7003
380-1001	D1, 2, 3, 4, 5, 6, 20, 21, 14, 15, 16, 17, 18, 19, 20, 23, 24	1	380-1001	380-1001	380-1001
380-2042	D16	1	380-2042	380-2042	380-2042
380-3003	D17	1	380-3003	380-3003	380-3003
380-2120	D21	1	380-2120	380-2120	380-2120
380-2039	D22	1	380-2039	380-2039	380-2039

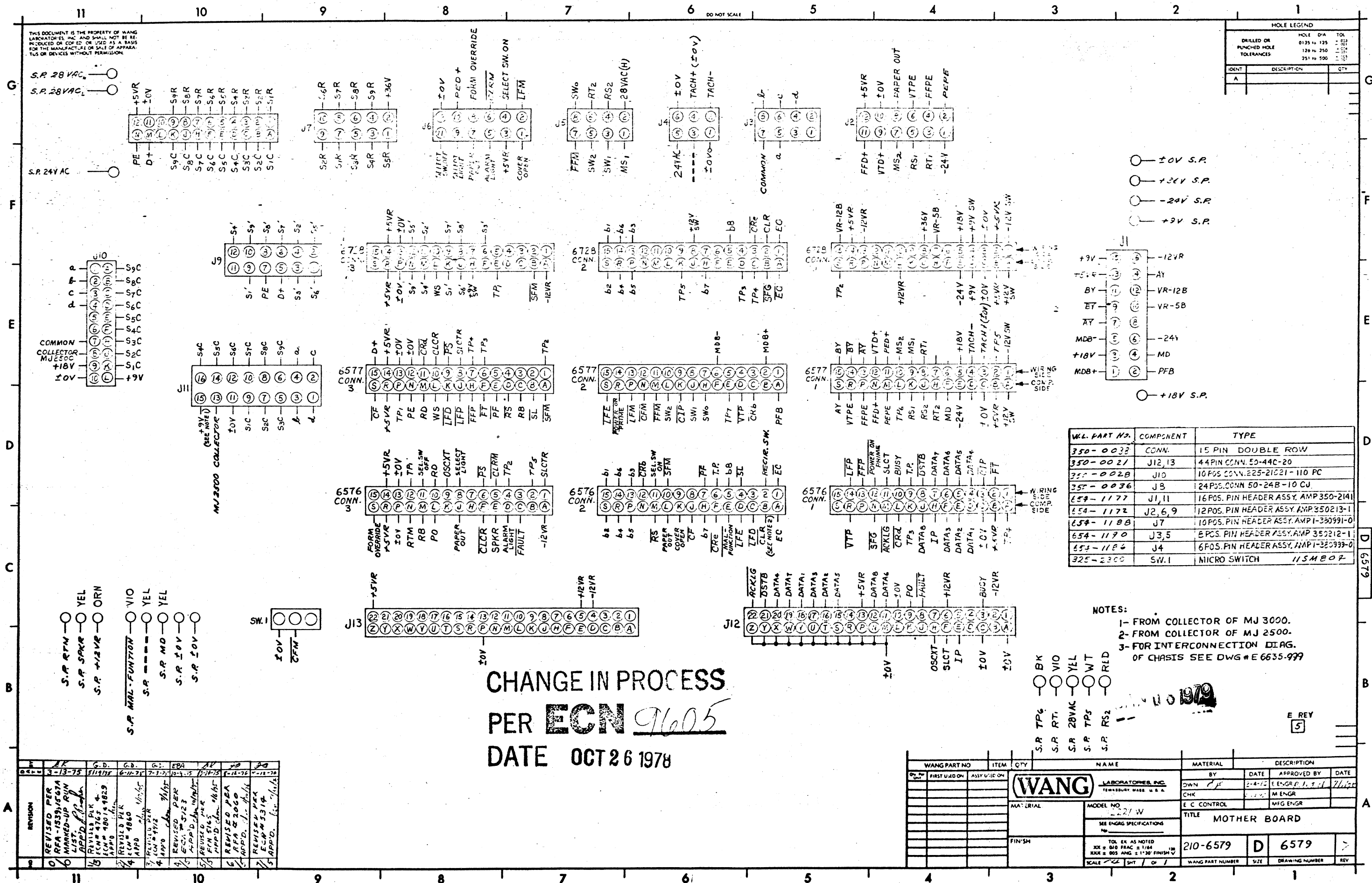
PREPRODUCTION

WANG

210-6578 E 6578 C

THIS DOCUMENT IS THE PROPERTY OF WANG LABORATORIES, INC. AND SHALL NOT BE REPRODUCED OR COPIED OR USED AS A BASIS FOR THE MANUFACTURE OR SALE OF APPARATUS OR DEVICES WITHOUT PERMISSION.

HOLE LEGEND		
DRILLED OR PUNCHED HOLE TOLERANCES	HOLE DIA	TOL
0.135 to 0.125	±0.002	
0.126 to 0.250	±0.003	
0.251 to 0.500	±0.005	



W.L. PART NO.	COMPONENT	TYPE
350-0033	CONN.	15 PIN DOUBLE ROW
350-0021	J12,13	44PIN CONN. 50-44C-20
350-0028	J10	10 POS. CONN. 225-21021-110 PC
350-0036	J8	24 POS. CONN. 50-24B-10 CJ
654-1177	J1,11	16 POS. PIN HEADER ASSY. AMP 350-2141
654-1172	J2,6,9	12 POS. PIN HEADER ASSY. AMP 350213-1
654-1188	J7	10 POS. PIN HEADER ASSY. AMP 1-350991-0
654-1190	J3,5	8 POS. PIN HEADER ASSY. AMP 350212-1
654-1186	J4	6 POS. PIN HEADER ASSY. AMP 1-350993-0
325-2300	SW.1	MICRO SWITCH 115MB07

NOTES:
 1- FROM COLLECTOR OF MJ 3000.
 2- FROM COLLECTOR OF MJ 2500.
 3- FOR INTERCONNECTION DIAG. OF CHASSIS SEE DWG # E 6635-999

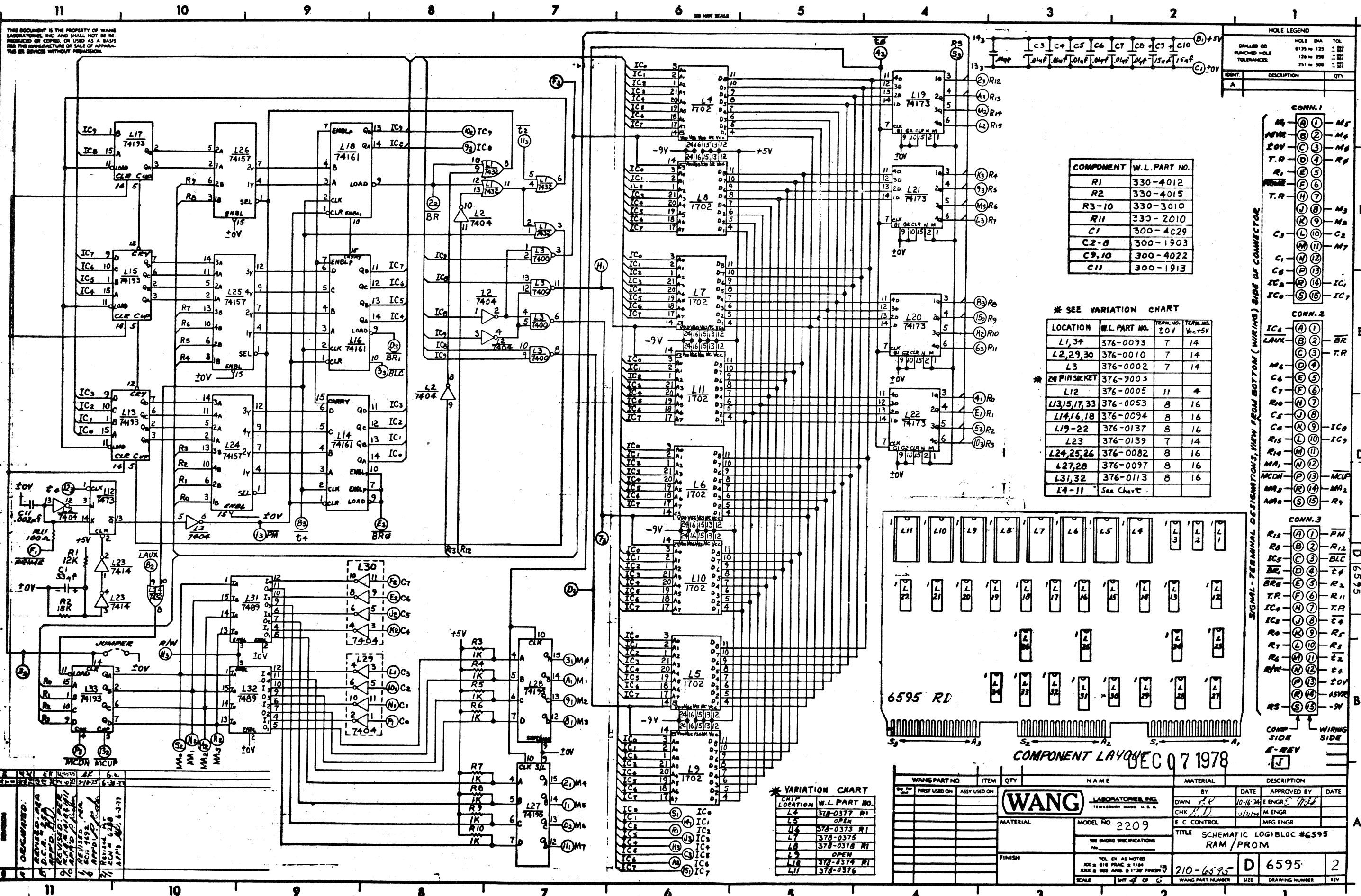
CHANGE IN PROCESS
PER ECN 9605
DATE OCT 26 1978

REV	DATE	BY	DESCRIPTION
0	3-13-75	G.D.	REVISED PER RFA-1033/16/67A LIST. MARKED-UP AGAIN APPD. P. 2/3/75
1	4-15-75	G.D.	REVISED PER ECN # 4765 & 4766 ECN # 4801 & 4823 APPD. P. 4/15/75
2	4-15-75	G.D.	REVISED PER ECN # 4860 APPD. P. 4/15/75
3	7-3-75	G.D.	REVISED PER ECN # 4912 APPD. P. 7/3/75
4	7-3-75	G.D.	REVISED PER ECN # 5123 APPD. P. 7/3/75
5	7-3-75	G.D.	REVISED PER ECN # 5165 APPD. P. 7/3/75
6	7-3-75	G.D.	REVISED PER RFA # 2060 APPD. P. 7/3/75
7	7-3-75	G.D.	REVISED PER ECN # 5314 APPD. P. 7/3/75

WANG PART NO.	ITEM	QTY	NAME	MATERIAL	DESCRIPTION
210-6579	D	6579	MOTHER BOARD		



BY	DATE	APPROVED BY	DATE
CHK			
E C CONTROL		MFG ENGR	
TITLE MOTHER BOARD			
WANG PART NUMBER 210-6579			
SIZE D			
DRAWING NUMBER 6579			
REV			



HOLE LEGEND

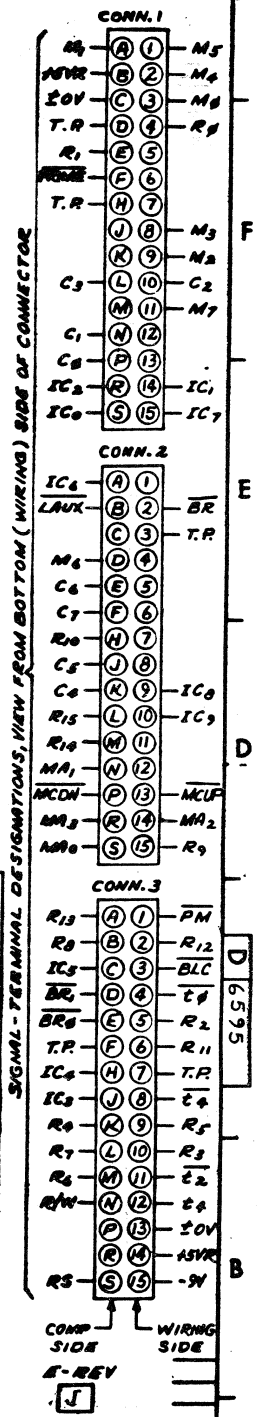
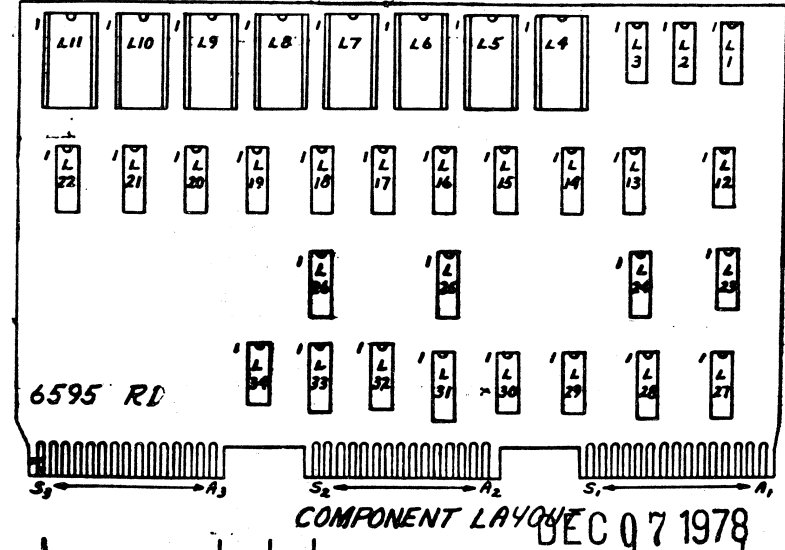
DRILLED OR PUNCHED HOLE TOLERANCES	HOLE DIA	TOL
	0.125 - 0.125	±0.001
	0.125 - 0.250	±0.001
	0.251 - 0.500	±0.002

COMPONENT W.L. PART NO.

R1	330-4012
R2	330-4015
R3-10	330-3010
R11	330-2010
C1	300-4C29
C2-8	300-1903
C9,10	300-4022
C11	300-1913

* SEE VARIATION CHART

LOCATION	W.L. PART NO.	TECH. NO.	TECH. NO.
L1,34	376-0093	7	14
L2,29,30	376-0010	7	14
L3	376-0002	7	14
24 PINSOCKET	376-9003		
L12	376-0005	11	4
L3,15,17,33	376-0053	8	16
L14,16,18	376-0094	8	16
L19-22	376-0137	8	16
L23	376-0139	7	14
L24,25,26	376-0082	8	16
L27,28	376-0097	8	16
L31,32	376-0113	8	16
L4-11	See Chart		



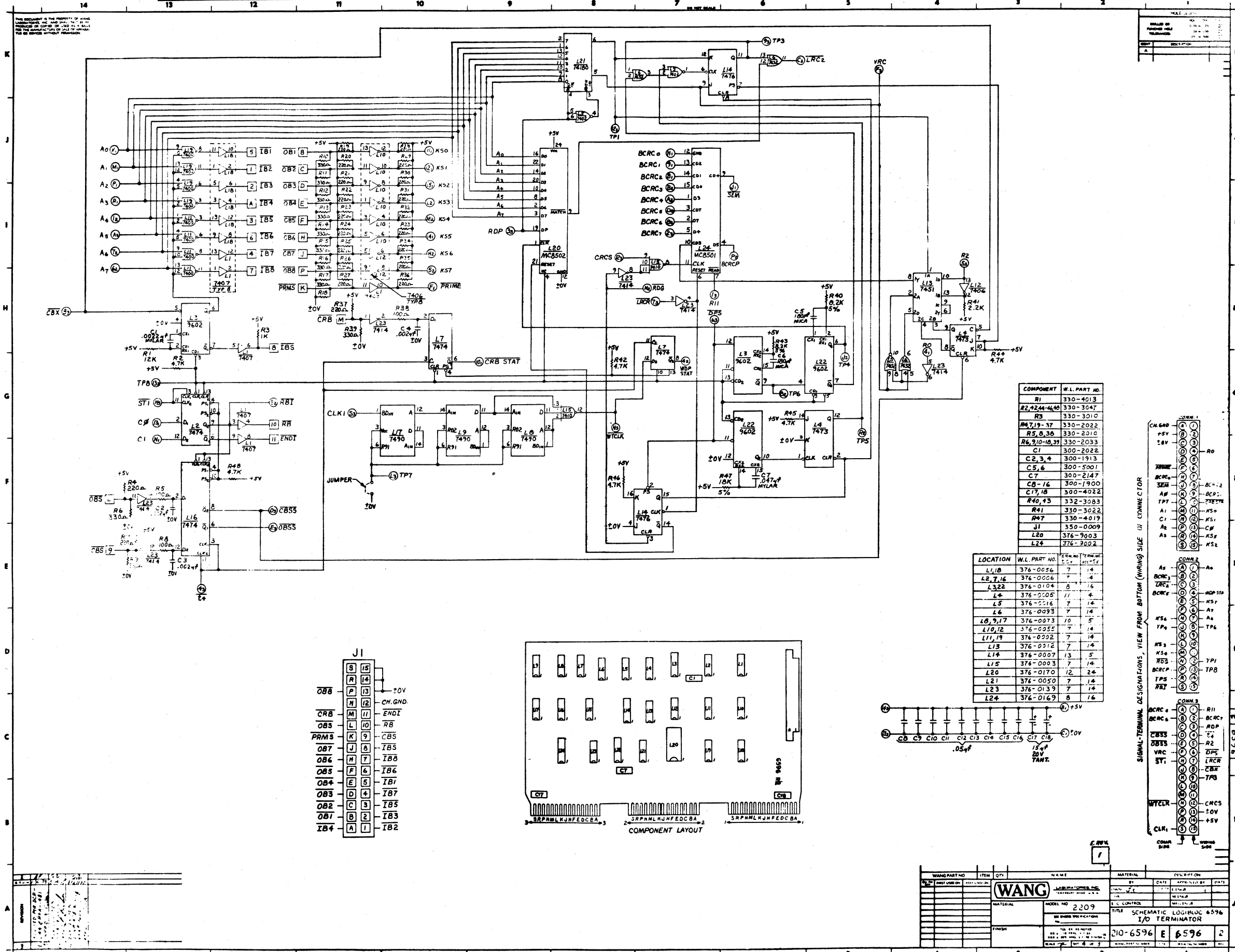
* VARIATION CHART

CHP LOCATION	W.L. PART NO.
L4	378-0377 R1
L5	OPEN
L6	378-0373 R1
L7	378-0375
L8	378-0378 R1
L9	OPEN
L10	378-0374 R1
L11	378-0376

WANG PART NO.	ITEM	QTY	NAME	MATERIAL	DESCRIPTION
	FIRST USED ON	ASSY USED ON			
			WANG LABORATORIES, INC. TEMPORARY MADE U.S.A.		
			MODEL NO 2209		
			SEE OTHER SPECIFICATIONS		
			FINISH		
			TOL. EX. AS NOTED		
			201 ± 0.10 FRAC. ± 1/16"		
			1000 ± 0.005 ANG. ± 1° 30' FRUSH		
			SCALE		
			210-6595	D 6595	2
			WANG PART NUMBER	SIZE	DRAWING NUMBER
					REV

REVISIONS

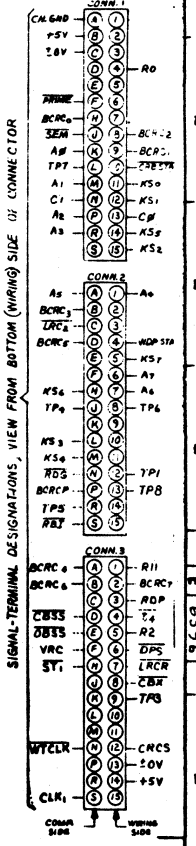
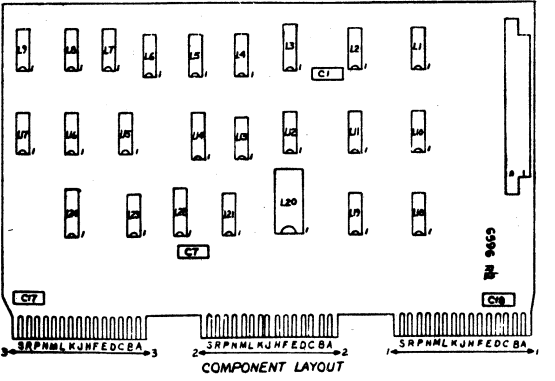
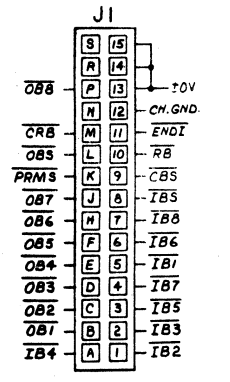
NO.	DESCRIPTION	DATE	BY
1	REVISED FOR...		
2	REVISED FOR...		
3	REVISED FOR...		
4	REVISED FOR...		
5	REVISED FOR...		
6	REVISED FOR...		
7	REVISED FOR...		
8	REVISED FOR...		
9	REVISED FOR...		
10	REVISED FOR...		
11	REVISED FOR...		



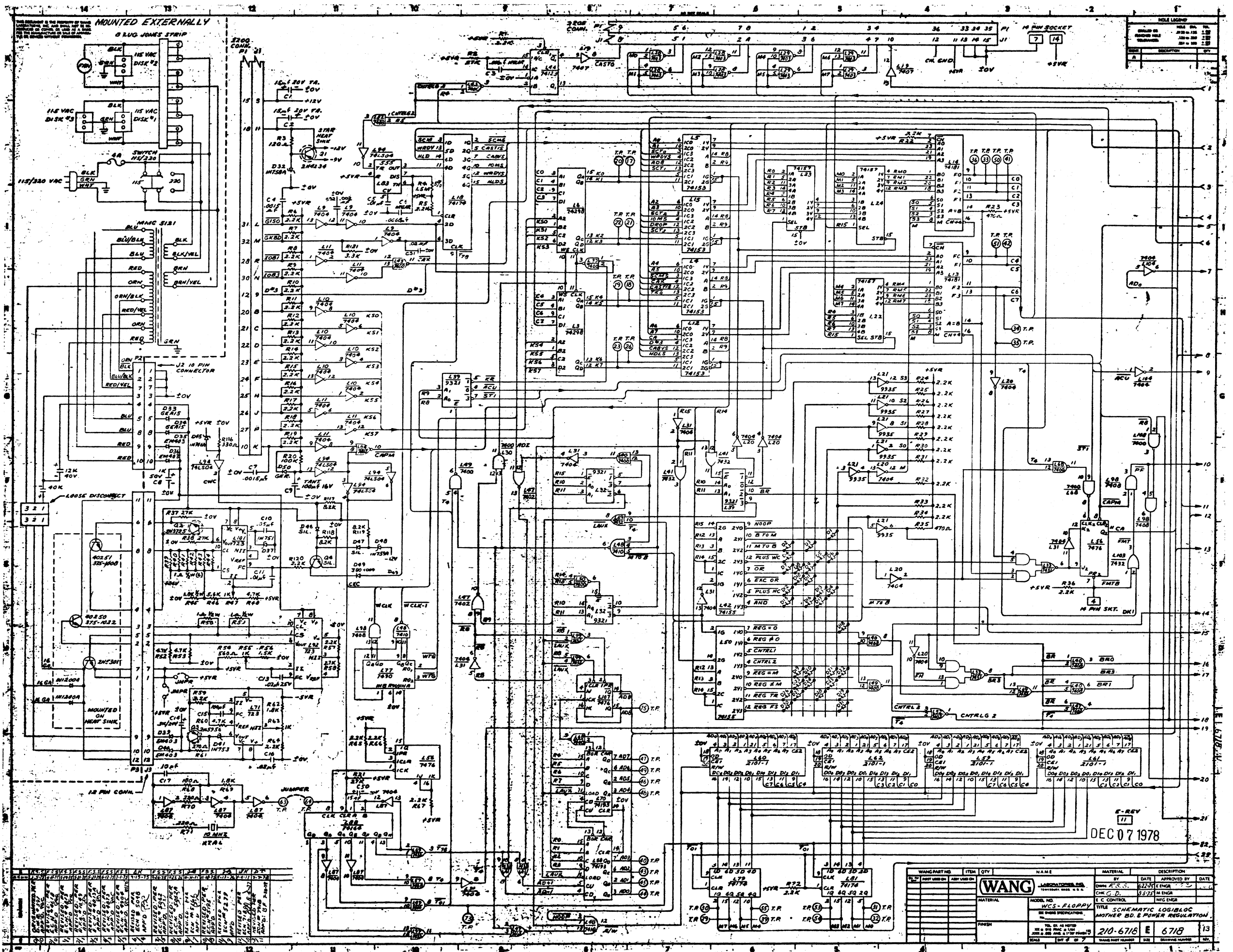
NO.	DESCRIPTION
1	...
2	...

COMPONENT	W.L. PART NO.
R1	330-4013
R2, R24, R40	330-3047
R3	330-3010
R4, R19-37	330-2022
R5, R38	330-2010
R6, R10, R39	330-2033
C1	300-2022
C2, 3, 4	300-1913
C5, 6	300-5001
C7	300-2147
C8-16	300-1900
C17, 18	300-4022
R40, 43	332-3083
R41	330-3022
R47	330-4019
J1	350-0009
L20	376-9003
L24	376-9002

LOCATION	W.L. PART NO.	QTY	FINISH
L1, 18	376-0056	7	14
L2, 7, 16	376-0006	7	4
L3, 22	376-0104	8	16
L4	376-0005	11	4
L5	376-0016	7	14
L6	376-0093	7	14
L8, 9, 17	376-0073	10	5
L10, 12	376-0055	7	14
L11, 19	376-0022	7	14
L13	376-0012	7	14
L14	376-0007	13	5
L15	376-0003	7	14
L20	376-0170	12	24
L21	376-0050	7	14
L23	376-0139	7	14
L24	376-0169	8	16



WANG PART NO.	ITEM	QTY	NAME	MATERIAL	DESCRIPTION
2209
210-6596	E	6596	2



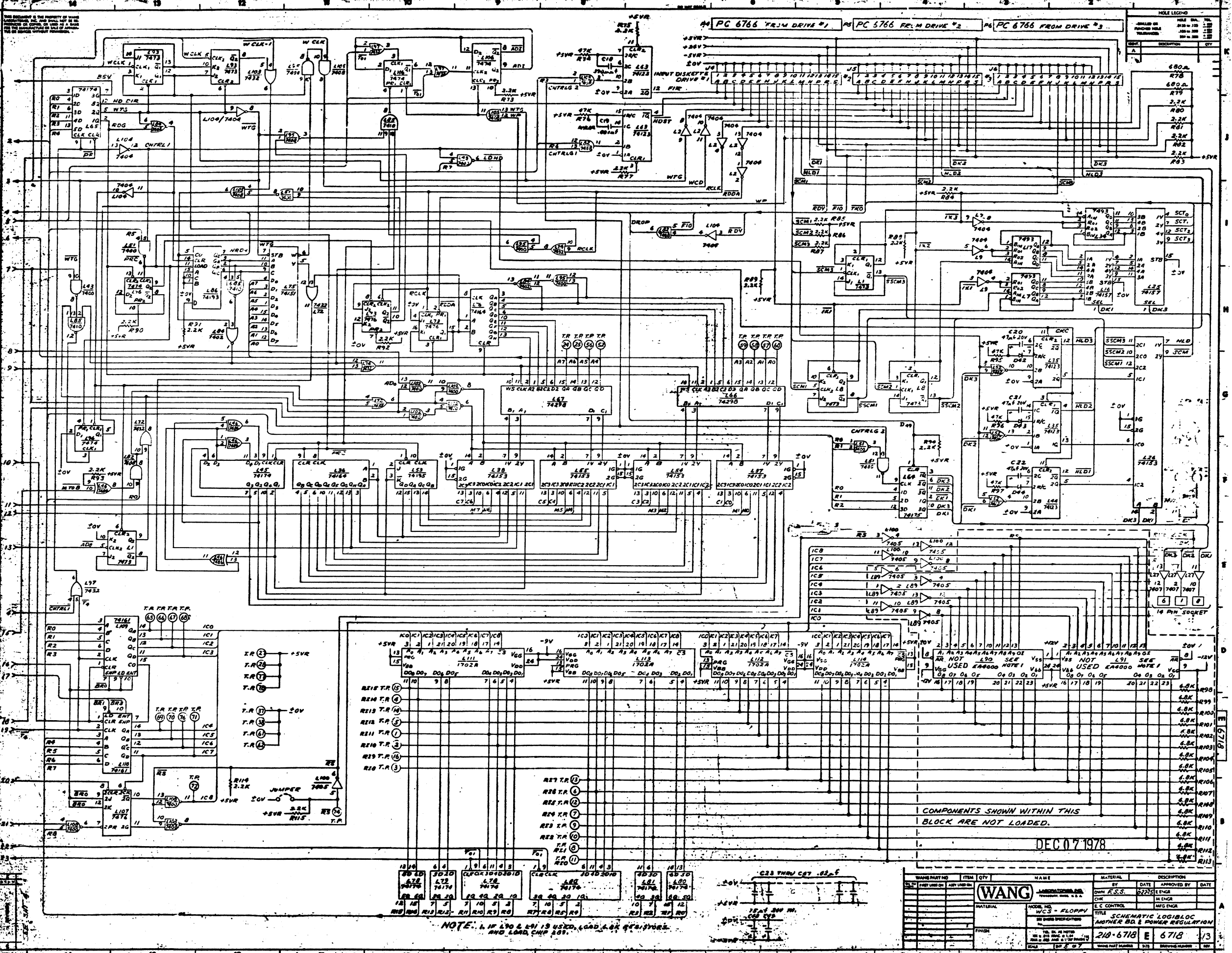
REF	QTY	DESCRIPTION
1	1	RESISTOR 10K
2	1	RESISTOR 10K
3	1	RESISTOR 10K
4	1	RESISTOR 10K
5	1	RESISTOR 10K
6	1	RESISTOR 10K
7	1	RESISTOR 10K
8	1	RESISTOR 10K
9	1	RESISTOR 10K
10	1	RESISTOR 10K
11	1	RESISTOR 10K
12	1	RESISTOR 10K
13	1	RESISTOR 10K
14	1	RESISTOR 10K
15	1	RESISTOR 10K
16	1	RESISTOR 10K
17	1	RESISTOR 10K
18	1	RESISTOR 10K
19	1	RESISTOR 10K
20	1	RESISTOR 10K
21	1	RESISTOR 10K
22	1	RESISTOR 10K
23	1	RESISTOR 10K
24	1	RESISTOR 10K
25	1	RESISTOR 10K
26	1	RESISTOR 10K
27	1	RESISTOR 10K
28	1	RESISTOR 10K
29	1	RESISTOR 10K
30	1	RESISTOR 10K
31	1	RESISTOR 10K
32	1	RESISTOR 10K
33	1	RESISTOR 10K
34	1	RESISTOR 10K
35	1	RESISTOR 10K
36	1	RESISTOR 10K
37	1	RESISTOR 10K
38	1	RESISTOR 10K
39	1	RESISTOR 10K
40	1	RESISTOR 10K
41	1	RESISTOR 10K
42	1	RESISTOR 10K
43	1	RESISTOR 10K
44	1	RESISTOR 10K
45	1	RESISTOR 10K
46	1	RESISTOR 10K
47	1	RESISTOR 10K
48	1	RESISTOR 10K
49	1	RESISTOR 10K
50	1	RESISTOR 10K
51	1	RESISTOR 10K
52	1	RESISTOR 10K
53	1	RESISTOR 10K
54	1	RESISTOR 10K
55	1	RESISTOR 10K
56	1	RESISTOR 10K
57	1	RESISTOR 10K
58	1	RESISTOR 10K
59	1	RESISTOR 10K
60	1	RESISTOR 10K
61	1	RESISTOR 10K
62	1	RESISTOR 10K
63	1	RESISTOR 10K
64	1	RESISTOR 10K
65	1	RESISTOR 10K
66	1	RESISTOR 10K
67	1	RESISTOR 10K
68	1	RESISTOR 10K
69	1	RESISTOR 10K
70	1	RESISTOR 10K
71	1	RESISTOR 10K
72	1	RESISTOR 10K
73	1	RESISTOR 10K
74	1	RESISTOR 10K
75	1	RESISTOR 10K
76	1	RESISTOR 10K
77	1	RESISTOR 10K
78	1	RESISTOR 10K
79	1	RESISTOR 10K
80	1	RESISTOR 10K
81	1	RESISTOR 10K
82	1	RESISTOR 10K
83	1	RESISTOR 10K
84	1	RESISTOR 10K
85	1	RESISTOR 10K
86	1	RESISTOR 10K
87	1	RESISTOR 10K
88	1	RESISTOR 10K
89	1	RESISTOR 10K
90	1	RESISTOR 10K
91	1	RESISTOR 10K
92	1	RESISTOR 10K
93	1	RESISTOR 10K
94	1	RESISTOR 10K
95	1	RESISTOR 10K
96	1	RESISTOR 10K
97	1	RESISTOR 10K
98	1	RESISTOR 10K
99	1	RESISTOR 10K
100	1	RESISTOR 10K

WANG PART NO.	ITEM	QTY	NAME	MATERIAL	DESCRIPTION
74153	1	1	HEX DECODER	74153	HEX DECODER
74187	1	1	BINARY TO BCD	74187	BINARY TO BCD
74188	1	1	BCD TO BINARY	74188	BCD TO BINARY
74180	1	1	FULL ADDER	74180	FULL ADDER
74181	1	1	ALU	74181	ALU
74182	1	1	FULL SUBTRACTOR	74182	FULL SUBTRACTOR
74184	1	1	BCD TO DECIMAL	74184	BCD TO DECIMAL
74185	1	1	DECIMAL TO BCD	74185	DECIMAL TO BCD
74186	1	1	DECIMAL TO BINARY	74186	DECIMAL TO BINARY
74189	1	1	FULL ADDER	74189	FULL ADDER
74190	1	1	DECADE COUNTER	74190	DECADE COUNTER
74191	1	1	DECADE COUNTER	74191	DECADE COUNTER
74192	1	1	DECADE COUNTER	74192	DECADE COUNTER
74193	1	1	DECADE COUNTER	74193	DECADE COUNTER
74194	1	1	DECADE COUNTER	74194	DECADE COUNTER
74195	1	1	DECADE COUNTER	74195	DECADE COUNTER
74196	1	1	DECADE COUNTER	74196	DECADE COUNTER
74197	1	1	DECADE COUNTER	74197	DECADE COUNTER
74198	1	1	DECADE COUNTER	74198	DECADE COUNTER
74199	1	1	DECADE COUNTER	74199	DECADE COUNTER

DEC 07 1978



SCHEMATIC LOGIBLOC
 ANOTHER BD. & POWER REGULATION
 210-6718 E 6718 13



WANG PART NO. ITEM QTY NAME MATERIAL DESCRIPTION

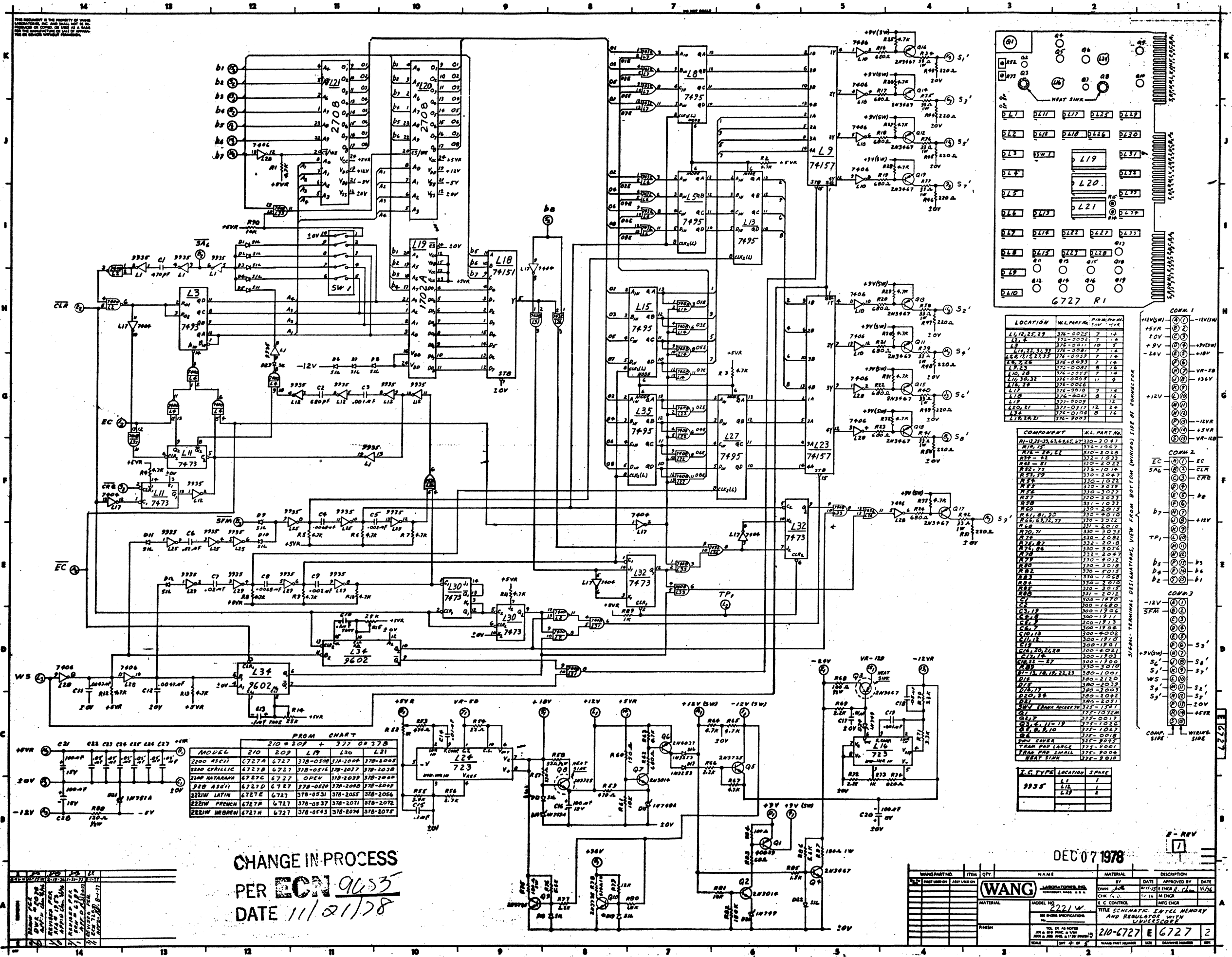
WANG PART NO.	ITEM	QTY	NAME	MATERIAL	DESCRIPTION
680A					
R78					
R79					
R80					
R81					
R82					
R83					
SCT0					
SCT1					
SCT2					
SCT3					
STB					
SEL					
SEL					
DK1					
DK2					
DK3					
DK4					
DK5					
DK6					
DK7					
DK8					
DK9					
DK10					
DK11					
DK12					
DK13					
DK14					
DK15					
DK16					
DK17					
DK18					
DK19					
DK20					
DK21					
DK22					
DK23					
DK24					
DK25					
DK26					
DK27					
DK28					
DK29					
DK30					
DK31					
DK32					
DK33					
DK34					
DK35					
DK36					
DK37					
DK38					
DK39					
DK40					
DK41					
DK42					
DK43					
DK44					
DK45					
DK46					
DK47					
DK48					
DK49					
DK50					
DK51					
DK52					
DK53					
DK54					
DK55					
DK56					
DK57					
DK58					
DK59					
DK60					
DK61					
DK62					
DK63					
DK64					
DK65					
DK66					
DK67					
DK68					
DK69					
DK70					
DK71					
DK72					
DK73					
DK74					
DK75					
DK76					
DK77					
DK78					
DK79					
DK80					
DK81					
DK82					
DK83					
DK84					
DK85					
DK86					
DK87					
DK88					
DK89					
DK90					
DK91					
DK92					
DK93					
DK94					
DK95					
DK96					
DK97					
DK98					
DK99					
DK100					

COMPONENTS SHOWN WITHIN THIS BLOCK ARE NOT LOADED.

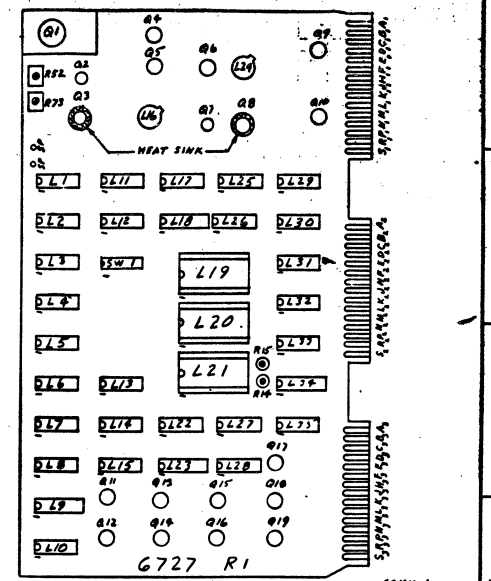
DEC 07 1978

WANG PART NO.	ITEM	QTY	NAME	MATERIAL	DESCRIPTION
680A					
R78					
R79					
R80					
R81					
R82					
R83					
SCT0					
SCT1					
SCT2					
SCT3					
STB					
SEL					
SEL					
DK1					
DK2					
DK3					
DK4					
DK5					
DK6					
DK7					
DK8					
DK9					
DK10					
DK11					
DK12					
DK13					
DK14					
DK15					
DK16					
DK17					
DK18					
DK19					
DK20					
DK21					
DK22					
DK23					
DK24					
DK25					
DK26					
DK27					
DK28					
DK29					
DK30					
DK31					
DK32					
DK33					
DK34					
DK35					
DK36					
DK37					
DK38					
DK39					
DK40					
DK41					
DK42					
DK43					
DK44					
DK45					
DK46					
DK47					
DK48					
DK49					
DK50					
DK51					
DK52					
DK53					
DK54					
DK55					
DK56					
DK57					
DK58					
DK59					
DK60					
DK61					
DK62					
DK63					
DK64					
DK65					
DK66					
DK67					
DK68					
DK69					
DK70					
DK71					
DK72					
DK73					
DK74					
DK75					
DK76					
DK77					
DK78					
DK79					
DK80					
DK81					
DK82					
DK83					
DK84					
DK85					
DK86					
DK87					
DK88					
DK89					
DK90					
DK91					
DK92					
DK93					
DK94					
DK95					
DK96					
DK97					
DK98					
DK99					
DK100					

NOTE: IF L90 & L91 IS USED, LOAD 6.8K @ 5VDC AND LOAD CAP 100P.



THIS DRAWING IS THE PROPERTY OF WANG...
 WANG LABORATORIES, INC.
 210 GARDEN CITY PLAZA
 GARDEN CITY, N.Y. 11530



LOCATION	W.L. PART NO.	PIA. PART NO.	PIA. PART NO.
L1, L2, L3, L4	376-00251	7	12
L5	376-00252	7	13
L6	376-00253	7	14
L7	376-00254	7	15
L8	376-00255	7	16
L9	376-00256	7	17
L10	376-00257	7	18
L11	376-00258	7	19
L12	376-00259	7	20
L13	376-00260	7	21
L14	376-00261	7	22
L15	376-00262	7	23
L16	376-00263	7	24
L17	376-00264	7	25
L18	376-00265	7	26
L19	376-00266	7	27
L20	376-00267	7	28
L21	376-00268	7	29
L22	376-00269	7	30

COMPONENT	W.L. PART NO.	PIA. PART NO.
R1-R100	376-00271-376-00370	376-00271-376-00370
C1-C100	376-00371-376-00470	376-00371-376-00470
Q1-Q10	376-00471-376-00570	376-00471-376-00570
U1-U10	376-00571-376-00670	376-00571-376-00670

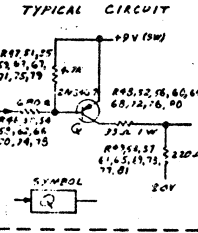
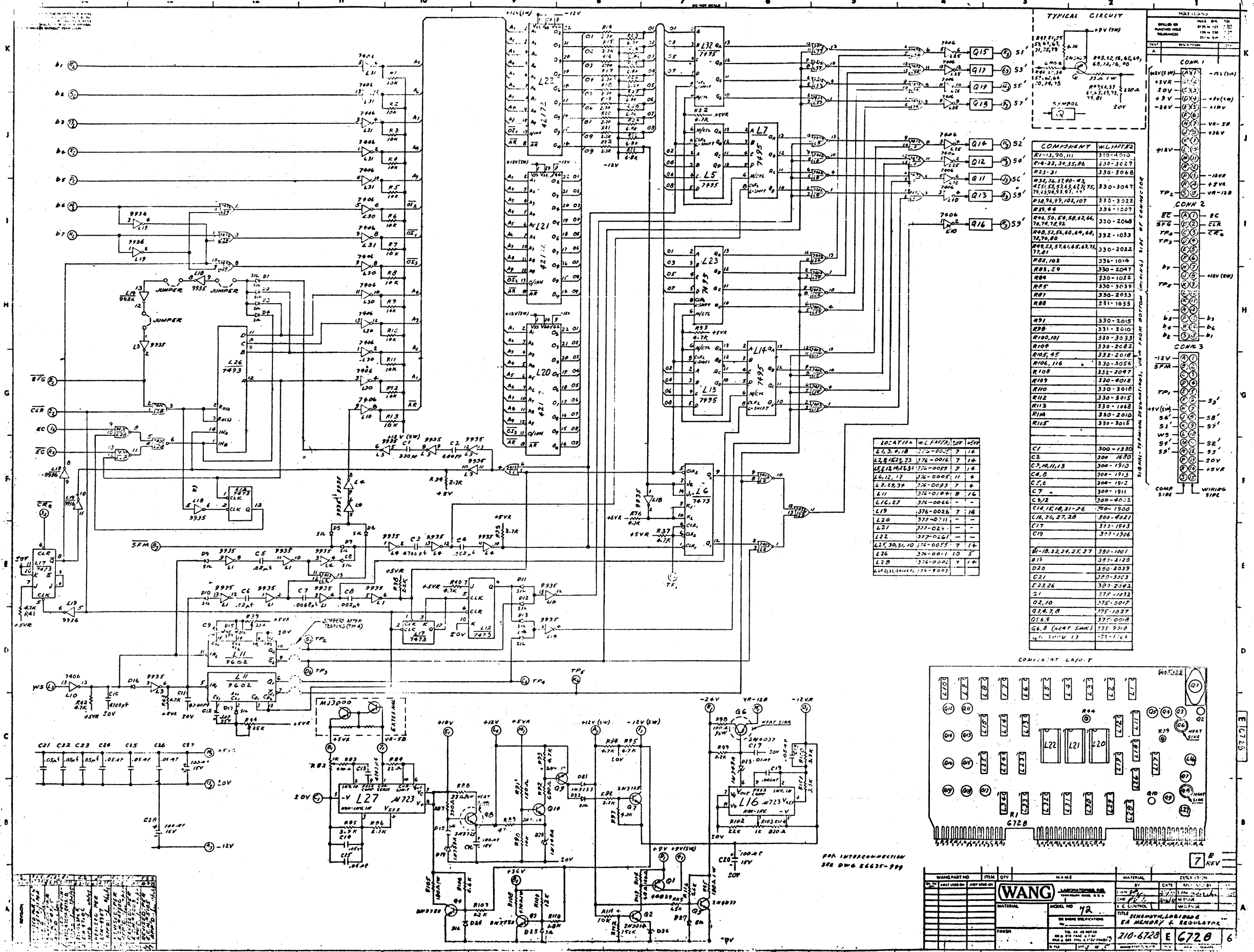
MODEL	210	209	L19	L20	L21
2100 ASCII	6727A	6727	378-0506	378-200A	378-200B
2100 CP/ILLIC	6727B	6727	378-0516	378-2017	378-2018
2100 HAYASHI	6727C	6727	OPEN	378-2039	378-2040
2100 ASC/II	6727D	6727	378-0520	378-2049	378-2050
2220W LATIN	6727E	6727	378-0531	378-2055	378-2056
2220W FRENCH	6727F	6727	378-0537	378-2071	378-2072
2220W HEBREW	6727H	6727	378-0543	378-2074	378-2075

CHANGE IN PROCESS
 PER **ECN 9655**
 DATE 11/21/78

DEC 07 1978

WANG PART NO.	ITEM	QTY	NAME	MATERIAL	DATE	DESCRIPTION
9935	L1	1	RESISTOR			
9935	L2	1	RESISTOR			
9935	L3	1	RESISTOR			

REV	DATE	BY	CHKD	DESCRIPTION
1				ISSUED FOR FAB
2				REVISED FOR...

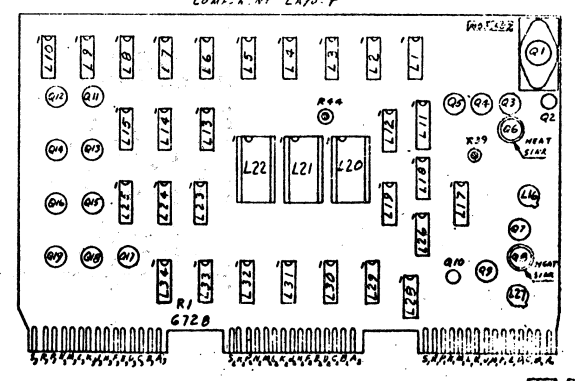


COMPONENT

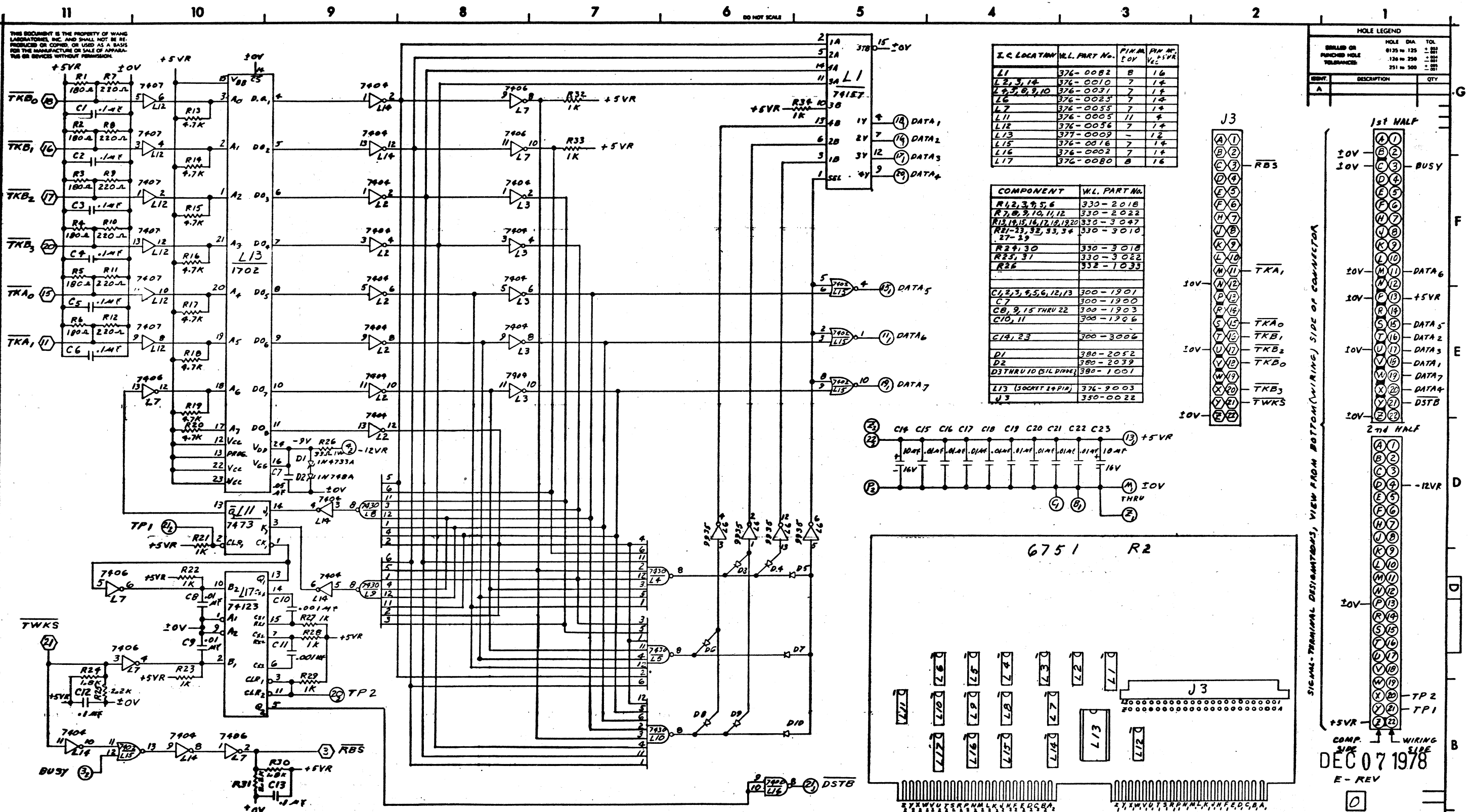
R1-13, 90, 111	330-4010
R14-22, 34, 35, 86	330-3027
R23-31	330-3068
R32, 36, 37, 40-43	330-3047
R33, 53, 54, 63, 67, 75, 79, 83, 84, 85, 86, 87, 88, 89, 91, 92, 93, 94, 95, 96, 97, 98, 99, 100, 101, 102, 103, 104, 105, 106, 107, 108, 109, 110, 111, 112, 113, 114, 115, 116, 117, 118, 119, 120, 121, 122, 123, 124, 125, 126, 127, 128, 129, 130, 131, 132, 133, 134, 135, 136, 137, 138, 139, 140, 141, 142, 143, 144, 145, 146, 147, 148, 149, 150, 151, 152, 153, 154, 155, 156, 157, 158, 159, 160, 161, 162, 163, 164, 165, 166, 167, 168, 169, 170, 171, 172, 173, 174, 175, 176, 177, 178, 179, 180, 181, 182, 183, 184, 185, 186, 187, 188, 189, 190, 191, 192, 193, 194, 195, 196, 197, 198, 199, 200, 201, 202, 203, 204, 205, 206, 207, 208, 209, 210, 211, 212, 213, 214, 215, 216, 217, 218, 219, 220, 221, 222, 223, 224, 225, 226, 227, 228, 229, 230, 231, 232, 233, 234, 235, 236, 237, 238, 239, 240, 241, 242, 243, 244, 245, 246, 247, 248, 249, 250, 251, 252, 253, 254, 255, 256, 257, 258, 259, 260, 261, 262, 263, 264, 265, 266, 267, 268, 269, 270, 271, 272, 273, 274, 275, 276, 277, 278, 279, 280, 281, 282, 283, 284, 285, 286, 287, 288, 289, 290, 291, 292, 293, 294, 295, 296, 297, 298, 299, 300, 301, 302, 303, 304, 305, 306, 307, 308, 309, 310, 311, 312, 313, 314, 315, 316, 317, 318, 319, 320, 321, 322, 323, 324, 325, 326, 327, 328, 329, 330, 331, 332, 333, 334, 335, 336, 337, 338, 339, 340, 341, 342, 343, 344, 345, 346, 347, 348, 349, 350, 351, 352, 353, 354, 355, 356, 357, 358, 359, 360, 361, 362, 363, 364, 365, 366, 367, 368, 369, 370, 371, 372, 373, 374, 375, 376, 377, 378, 379, 380, 381, 382, 383, 384, 385, 386, 387, 388, 389, 390, 391, 392, 393, 394, 395, 396, 397, 398, 399, 400, 401, 402, 403, 404, 405, 406, 407, 408, 409, 410, 411, 412, 413, 414, 415, 416, 417, 418, 419, 420, 421, 422, 423, 424, 425, 426, 427, 428, 429, 430, 431, 432, 433, 434, 435, 436, 437, 438, 439, 440, 441, 442, 443, 444, 445, 446, 447, 448, 449, 450, 451, 452, 453, 454, 455, 456, 457, 458, 459, 460, 461, 462, 463, 464, 465, 466, 467, 468, 469, 470, 471, 472, 473, 474, 475, 476, 477, 478, 479, 480, 481, 482, 483, 484, 485, 486, 487, 488, 489, 490, 491, 492, 493, 494, 495, 496, 497, 498, 499, 500, 501, 502, 503, 504, 505, 506, 507, 508, 509, 510, 511, 512, 513, 514, 515, 516, 517, 518, 519, 520, 521, 522, 523, 524, 525, 526, 527, 528, 529, 530, 531, 532, 533, 534, 535, 536, 537, 538, 539, 540, 541, 542, 543, 544, 545, 546, 547, 548, 549, 550, 551, 552, 553, 554, 555, 556, 557, 558, 559, 560, 561, 562, 563, 564, 565, 566, 567, 568, 569, 570, 571, 572, 573, 574, 575, 576, 577, 578, 579, 580, 581, 582, 583, 584, 585, 586, 587, 588, 589, 590, 591, 592, 593, 594, 595, 596, 597, 598, 599, 600, 601, 602, 603, 604, 605, 606, 607, 608, 609, 610, 611, 612, 613, 614, 615, 616, 617, 618, 619, 620, 621, 622, 623, 624, 625, 626, 627, 628, 629, 630, 631, 632, 633, 634, 635, 636, 637, 638, 639, 640, 641, 642, 643, 644, 645, 646, 647, 648, 649, 650, 651, 652, 653, 654, 655, 656, 657, 658, 659, 660, 661, 662, 663, 664, 665, 666, 667, 668, 669, 670, 671, 672, 673, 674, 675, 676, 677, 678, 679, 680, 681, 682, 683, 684, 685, 686, 687, 688, 689, 690, 691, 692, 693, 694, 695, 696, 697, 698, 699, 700, 701, 702, 703, 704, 705, 706, 707, 708, 709, 710, 711, 712, 713, 714, 715, 716, 717, 718, 719, 720, 721, 722, 723, 724, 725, 726, 727, 728, 729, 730, 731, 732, 733, 734, 735, 736, 737, 738, 739, 740, 741, 742, 743, 744, 745, 746, 747, 748, 749, 750, 751, 752, 753, 754, 755, 756, 757, 758, 759, 760, 761, 762, 763, 764, 765, 766, 767, 768, 769, 770, 771, 772, 773, 774, 775, 776, 777, 778, 779, 780, 781, 782, 783, 784, 785, 786, 787, 788, 789, 790, 791, 792, 793, 794, 795, 796, 797, 798, 799, 800, 801, 802, 803, 804, 805, 806, 807, 808, 809, 810, 811, 812, 813, 814, 815, 816, 817, 818, 819, 820, 821, 822, 823, 824, 825, 826, 827, 828, 829, 830, 831, 832, 833, 834, 835, 836, 837, 838, 839, 840, 841, 842, 843, 844, 845, 846, 847, 848, 849, 850, 851, 852, 853, 854, 855, 856, 857, 858, 859, 860, 861, 862, 863, 864, 865, 866, 867, 868, 869, 870, 871, 872, 873, 874, 875, 876, 877, 878, 879, 880, 881, 882, 883, 884, 885, 886, 887, 888, 889, 890, 891, 892, 893, 894, 895, 896, 897, 898, 899, 900, 901, 902, 903, 904, 905, 906, 907, 908, 909, 910, 911, 912, 913, 914, 915, 916, 917, 918, 919, 920, 921, 922, 923, 924, 925, 926, 927, 928, 929, 930, 931, 932, 933, 934, 935, 936, 937, 938, 939, 940, 941, 942, 943, 944, 945, 946, 947, 948, 949, 950, 951, 952, 953, 954, 955, 956, 957, 958, 959, 960, 961, 962, 963, 964, 965, 966, 967, 968, 969, 970, 971, 972, 973, 974, 975, 976, 977, 978, 979, 980, 981, 982, 983, 984, 985, 986, 987, 988, 989, 990, 991, 992, 993, 994, 995, 996, 997, 998, 999, 1000	

LOCATIONS

L1, 3, 4, 18	330-0012	7	14
L2, 8, 12, 13, 23	330-0016	7	14
L3, 18, 19, 21, 22, 24, 25, 26, 27, 28, 29, 30, 31, 32, 33, 34, 35, 36, 37, 38, 39, 40, 41, 42, 43, 44, 45, 46, 47, 48, 49, 50, 51, 52, 53, 54, 55, 56, 57, 58, 59, 60, 61, 62, 63, 64, 65, 66, 67, 68, 69, 70, 71, 72, 73, 74, 75, 76, 77, 78, 79, 80, 81, 82, 83, 84, 85, 86, 87, 88, 89, 90, 91, 92, 93, 94, 95, 96, 97, 98, 99, 100			



WANG PART NO.	ITEM	QTY	NAME	MATERIAL	DATE	DESCRIPTION
720	1	1	WANG			
721	1	1	WANG			
722	1	1	WANG			
723	1	1	WANG			
724	1	1	WANG			
725	1	1	WANG			
726	1	1	WANG			
727	1	1	WANG			
728	1	1	WANG			
729	1	1	WANG			
730	1	1	WANG			
731	1	1	WANG			
732	1	1	WANG			
733	1	1	WANG			
734	1	1	WANG			
735	1	1	WANG			
736	1	1	WANG			
737	1	1	WANG			
738	1	1	WANG			
739	1	1	WANG			
740	1	1	WANG			
741	1	1	WANG			
742	1	1	WANG			
743	1	1	WANG			
744	1	1	WANG			
745	1	1	WANG			
746	1	1	WANG			
747	1	1	WANG			
748	1	1	WANG			
749	1	1	WANG			
750	1	1	WANG			
751	1	1	WANG			
752	1	1	WANG			
753	1	1	WANG			
754	1	1	WANG			
755	1	1	WANG			
756	1	1	WANG			
757	1	1	WANG			
758	1	1	WANG			
759	1	1	WANG			
760	1	1	WANG			
761	1	1	WANG			
762	1	1	WANG			
763	1	1	WANG			
764	1	1	WANG			
765	1	1	WANG			
766	1	1	WANG			
767	1	1	WANG			
768	1	1	WANG			
769	1	1	WANG			
770	1	1	WANG			
771	1	1	WANG			
772	1	1	WANG			
773	1	1	WANG			
774	1	1	WANG			
775	1	1	WANG			
776	1	1	WANG			
777	1	1	WANG			
778	1	1	WANG			
779	1	1	WANG			
780	1	1	WANG			
781	1	1	WANG			
782	1	1	WANG			
783	1	1	WANG			
784	1	1	WANG			
785	1	1	WANG			
786	1	1	WANG			
787	1	1	WANG			
788	1	1	WANG			
789	1	1	WANG			
790	1	1	WANG			
791	1	1	WANG			
792	1	1	WANG			
793	1	1	WANG			
794	1	1	WANG			
795	1	1	WANG			
796	1	1	WANG			
797	1	1	WANG			
798	1	1	WANG			
799	1	1	WANG			
800	1	1	WANG			



THIS DOCUMENT IS THE PROPERTY OF WANG LABORATORIES, INC. AND SHALL NOT BE REPRODUCED OR COPIED, OR USED AS A BASIS FOR THE MANUFACTURE OR SALE OF APPARATUS OR DEVICES WITHOUT PERMISSION.

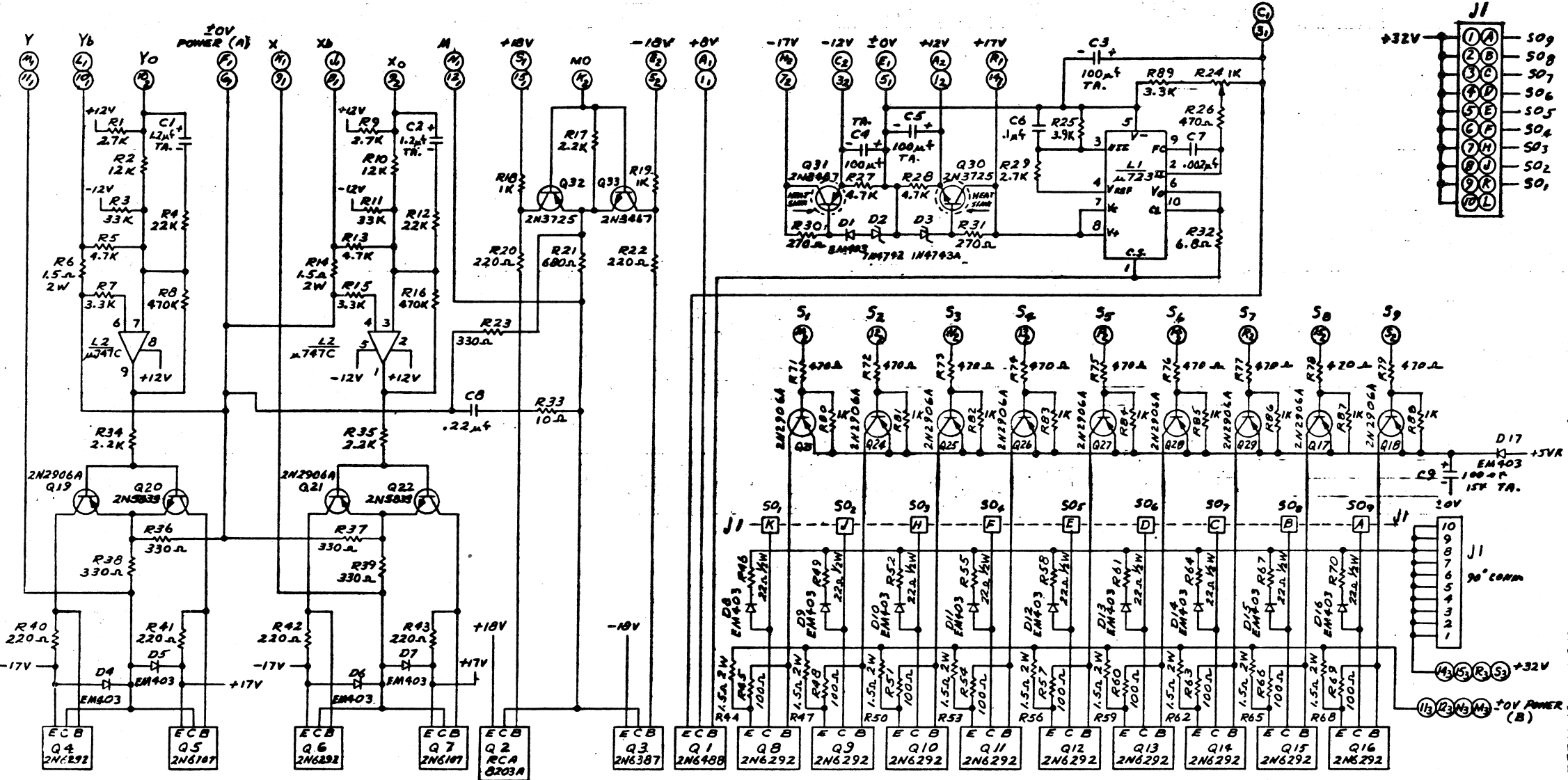
I.C. LOCATION	W.L. PART NO.	PIN NO.	PIN NO.
L1	376-0082	8	16
L2, 3, 14	376-0010	7	14
L4, 5, 6, 9, 10	376-0031	7	14
L6	376-0023	7	14
L7	376-0055	7	14
L11	376-0005	11	4
L12	376-0056	7	14
L13	377-0009	-	12
L15	376-0016	7	14
L16	376-0002	7	14
L17	376-0080	8	16

COMPONENT	W.L. PART NO.
R1, 2, 3, 4, 5, 6	330-2018
R7, 8, 9, 10, 11, 12	330-2022
R13, 14, 15, 16, 17, 18, 19, 20	330-3047
R21, 22, 23, 24, 25, 26	330-3010
R27, 28	
R29, 30	330-3018
R31, 32	330-3022
R33	332-1033
C1, 2, 3, 4, 5, 6, 12, 13	300-1901
C7	300-1900
C8, 9, 15 THRU 22	300-1903
C10, 11	300-1906
C14, 23	300-3006
D1	380-2052
D2	380-2039
D3 THRU 10 (SIL PIN)	380-1001
L13 (SOCKET 24 PIN)	376-9003
J3	350-0022

HOLE LEGEND		
DRILLED OR PUNCHED HOLE	HOLE DIA.	TOL.
	0.125 to 0.250	±0.005
	0.250 to 0.500	±0.010
	0.500 to 1.000	±0.020
	1.000 to 2.000	±0.040
	2.000 to 5.000	±0.080
	5.000 to 10.000	±0.150
	10.000 to 25.000	±0.300
	25.000 to 50.000	±0.600
	50.000 to 100.000	±1.200
	100.000 to 250.000	±2.500
	250.000 to 500.000	±5.000
	500.000 to 1000.000	±10.000
	1000.000 to 2500.000	±20.000
	2500.000 to 5000.000	±40.000
	5000.000 to 10000.000	±80.000
	10000.000 to 25000.000	±160.000
	25000.000 to 50000.000	±320.000
	50000.000 to 100000.000	±640.000
	100000.000 to 250000.000	±1280.000
	250000.000 to 500000.000	±2560.000
	500000.000 to 1000000.000	±5120.000
	1000000.000 to 2500000.000	±10240.000
	2500000.000 to 5000000.000	±20480.000
	5000000.000 to 10000000.000	±40960.000
	10000000.000 to 25000000.000	±81920.000
	25000000.000 to 50000000.000	±163840.000
	50000000.000 to 100000000.000	±327680.000
	100000000.000 to 250000000.000	±655360.000
	250000000.000 to 500000000.000	±1310720.000
	500000000.000 to 1000000000.000	±2621440.000
	1000000000.000 to 2500000000.000	±5242880.000
	2500000000.000 to 5000000000.000	±10485760.000
	5000000000.000 to 10000000000.000	±20971520.000
	10000000000.000 to 25000000000.000	±41943040.000
	25000000000.000 to 50000000000.000	±83886080.000
	50000000000.000 to 100000000000.000	±167772160.000
	100000000000.000 to 250000000000.000	±335544320.000
	250000000000.000 to 500000000000.000	±671088640.000
	500000000000.000 to 1000000000000.000	±1342177280.000
	1000000000000.000 to 2500000000000.000	±2684354560.000
	2500000000000.000 to 5000000000000.000	±5368709120.000
	5000000000000.000 to 10000000000000.000	±10737418240.000
	10000000000000.000 to 25000000000000.000	±21474836480.000
	25000000000000.000 to 50000000000000.000	±42949672960.000
	50000000000000.000 to 100000000000000.000	±85899345920.000
	100000000000000.000 to 250000000000000.000	±171798691840.000
	250000000000000.000 to 500000000000000.000	±343597383680.000
	500000000000000.000 to 1000000000000000.000	±687194767360.000
	1000000000000000.000 to 2500000000000000.000	±1374389534720.000
	2500000000000000.000 to 5000000000000000.000	±2748779069440.000
	5000000000000000.000 to 10000000000000000.000	±5497558138880.000
	10000000000000000.000 to 25000000000000000.000	±10995116277760.000
	25000000000000000.000 to 50000000000000000.000	±21990232555520.000
	50000000000000000.000 to 100000000000000000.000	±43980465111040.000
	100000000000000000.000 to 250000000000000000.000	±87960930222080.000
	250000000000000000.000 to 500000000000000000.000	±175921860444160.000
	500000000000000000.000 to 1000000000000000000.000	±351843720888320.000
	1000000000000000000.000 to 2500000000000000000.000	±703687441776640.000
	2500000000000000000.000 to 5000000000000000000.000	±1407374883553280.000
	5000000000000000000.000 to 10000000000000000000.000	±2814749767106560.000
	10000000000000000000.000 to 25000000000000000000.000	±5629499534213120.000
	25000000000000000000.000 to 50000000000000000000.000	±11258999068426240.000
	50000000000000000000.000 to 100000000000000000000.000	±22517998136852480.000
	100000000000000000000.000 to 250000000000000000000.000	±45035996273704960.000
	250000000000000000000.000 to 500000000000000000000.000	±90071992547409920.000
	500000000000000000000.000 to 1000000000000000000000.000	±180143985094819840.000
	1000000000000000000000.000 to 2500000000000000000000.000	±360287970189639680.000
	2500000000000000000000.000 to 5000000000000000000000.000	±720575940379279360.000
	5000000000000000000000.000 to 10000000000000000000000.000	±1441151880758558720.000
	10000000000000000000000.000 to 25000000000000000000000.000	±2882303761517117440.000
	25000000000000000000000.000 to 50000000000000000000000.000	±5764607523034234880.000
	50000000000000000000000.000 to 100000000000000000000000.000	±11529215046068469760.000
	100000000000000000000000.000 to 250000000000000000000000.000	±23058430092136939520.000
	250000000000000000000000.000 to 500000000000000000000000.000	±46116860184273879040.000
	500000000000000000000000.000 to 1000000000000000000000000.000	±92233720368547758080.000
	1000000000000000000000000.000 to 2500000000000000000000000.000	±184467440737095516160.000
	2500000000000000000000000.000 to 5000000000000000000000000.000	±368934881474191032320.000
	5000000000000000000000000.000 to 10000000000000000000000000.000	±737869762948382064640.000
	10000000000000000000000000.000 to 25000000000000000000000000.000	±1475739525896764129280.000
	25000000000000000000000000.000 to 50000000000000000000000000.000	±2951479051793528258560.000
	50000000000000000000000000.000 to 100000000000000000000000000.000	±5902958103587056517120.000
	100000000000000000000000000.000 to 250000000000000000000000000.000	±11805916207174113034240.000
	250000000000000000000000000.000 to 500000000000000000000000000.000	±23611832414348226068480.000
	500000000000000000000000000.000 to 1000000000000000000000000000.000	±47223664828696452136960.000
	1000000000000000000000000000.000 to 2500000000000000000000000000.000	±94447329657392904273920.000
	2500000000000000000000000000.000 to 5000000000000000000000000000.000	±188894659314785808547840.000
	5000000000000000000000000000.000 to 10000000000000000000000000000.000	±377789318629571617095680.000
	10000000000000000000000000000.000 to 25000000000000000000000000000.000	±755578637259143234191360.000
	25000000000000000000000000000.000 to 50000000000000000000000000000.000	±1511157274518286468382720.000
	50000000000000000000000000000.000 to 100000000000000000000000000000.000	±3022314549036572936765440.000
	100000000000000000000000000000.000 to 250000000000000000000000000000.000	±6044629098073145873530880.000
	250000000000000000000000000000.000 to 500000000000000000000000000000.000	±12089258196146291747061760.000
	500000000000000000000000000000.000 to 1000000000000000000000000000000.000	±2417851639229258349412320.000
	1000000000000000000000000000000.000 to 2500000000000000000000000000000.000	±4835703278458516698824640.000
	2500000000000000000000000000000.000 to 5000000000000000000000000000000.000	±9671406556917033397649280.000
	5000000000000000000000000000000.000 to 10000000000000000000000000000000.000	±19342813113834066795298560.000
	10000000000000000000000000000000.000 to 25000000000000000000000000000000.000	±38685626227668133590597120.000
	25000000000000000000000000000000.000 to 50000000000000000000000000000000.000	±77371252455336267181194240.000
	50000000000000000000000000000000.000 to 100000000000000000000000000000000.000	±154742504910672534362388480.000
	100000000000000000000000000000000.000 to 250000000000000000000000000000000.000	±309485009821345068724776960.000
	250000000000000000000000000000000.000 to 500000000000000000000000000000000.000	±618970019642690137449553920.000
	500000000000000000000000000000000.000 to 1000000000000000000000000000000000.000	±1237940039285380274899107840.000
	1000000000000000000000000000000000.000 to 2500000000000000000000000000000000.000	±2475880078570760549798215680.000
	2500000000000000000000000000000000.000 to 5000000000000000000000000000000000.000	±495176015714152109959631360.000
	5000000000000000000000000000000000.000 to 10000000000000000000000000000000000.000	±990352031428304219919322720.000
	10000000000000000000000000000000000.000 to 25000000000000000000000000000000000.000	±1980704062856608439838645440.000
	25000000000000000000000000000000000.000 to 50000000000000000000000000000000000.000	±3961408125713216879677290880.000
	50000000000000000000000000000000000.000 to 100000000000000000000000000000000000.000	±7922816251426433759354581760.000
	100000000000000000000000000000000000.000 to 250000000000000000000000000000000000.000	±15845632502852867518709163520.000
	250000000000000000000000000000000000.000 to 500000000000000000000000000000000000.000	±31691265

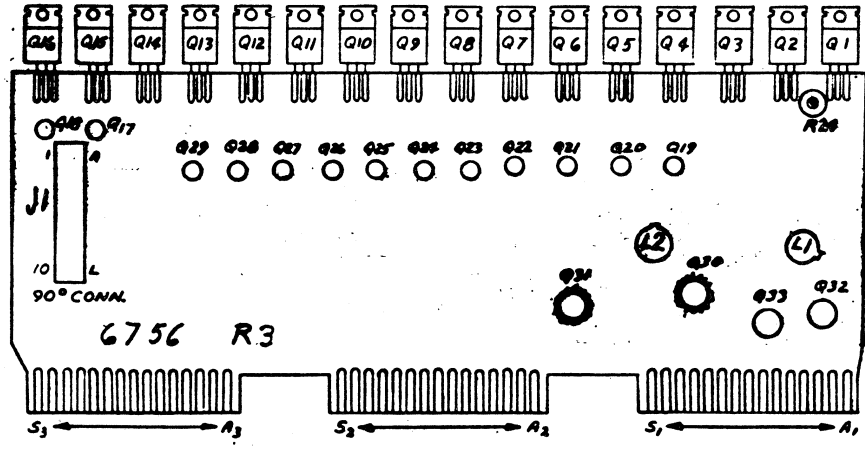
THIS DOCUMENT IS THE PROPERTY OF WANG LABORATORIES, INC. AND SHALL NOT BE REPRODUCED OR COPIED OR USED AS A BASIS FOR THE MANUFACTURE OR SALE OF APPARATUS OR DEVICES WITHOUT PERMISSION.

COMPONENT	W.L. No.
R1,2,9	330-3027
R2,10	330-4012
R3,11	330-4033
R4,12	330-4022
R5,13,20	330-3047
R6,14,16,17	330-4012
R7,15,18,19	330-3033
R8,16	330-5067
R9,18,20	330-3010
R21,22,40	330-2022
R21	330-2068
R23,24,32,33	330-2033
R24	330-1014
R25	330-3039
R26,27,29	330-2047
R17,34,35	330-3022
R30,31	330-2027
R32	330-0068
R33	330-1010
R34,35,36	330-2010
R37,38,39	330-1022
R40,41,42,43	330-1022
C1,2	300-4013
C3,4,5,9	300-4021
C6	300-1901
C7	300-1913
C8	300-1926
D1,4-17	380-4000
D2	380-2121
D3	380-2113
Q1	375-1054
Q2	375-1053
Q3	375-1052
Q4,6	375-1051
Q5,7	375-1050
Q8-16	375-1051
Q17,19,21	375-1017
Q22,23	375-1006
Q24,32	375-1027
Q24,33	375-1026
N. SINN	375-9010
TRANS/AND LARGE	375-9001
TRANS/AND SMALL	375-9004
J1	350-0037

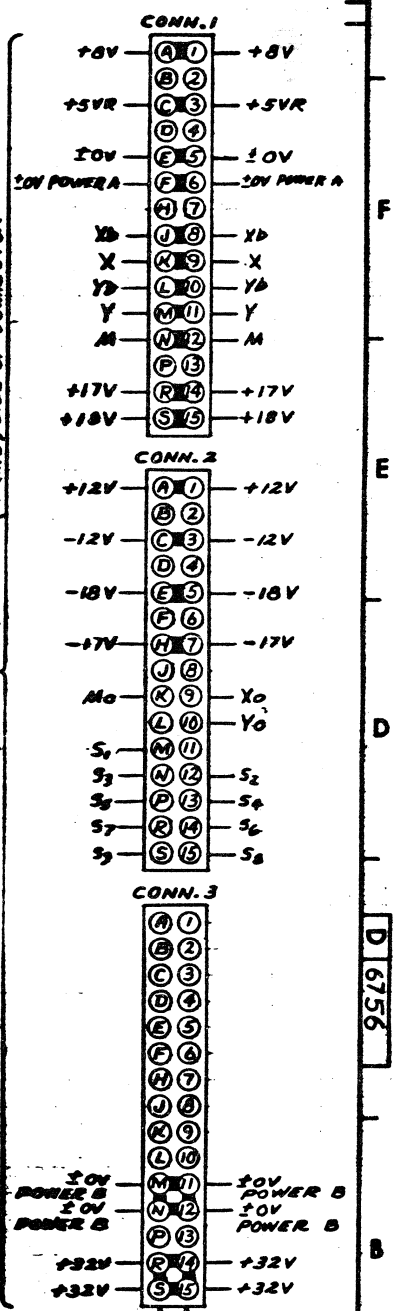


I.C. LOCATION	W.L. NO.	TERM. FOR 50V	TERM. FOR VCC +5V
L1	376-0066	5	
L2	376-0187		

COMPONENT LAYOUT

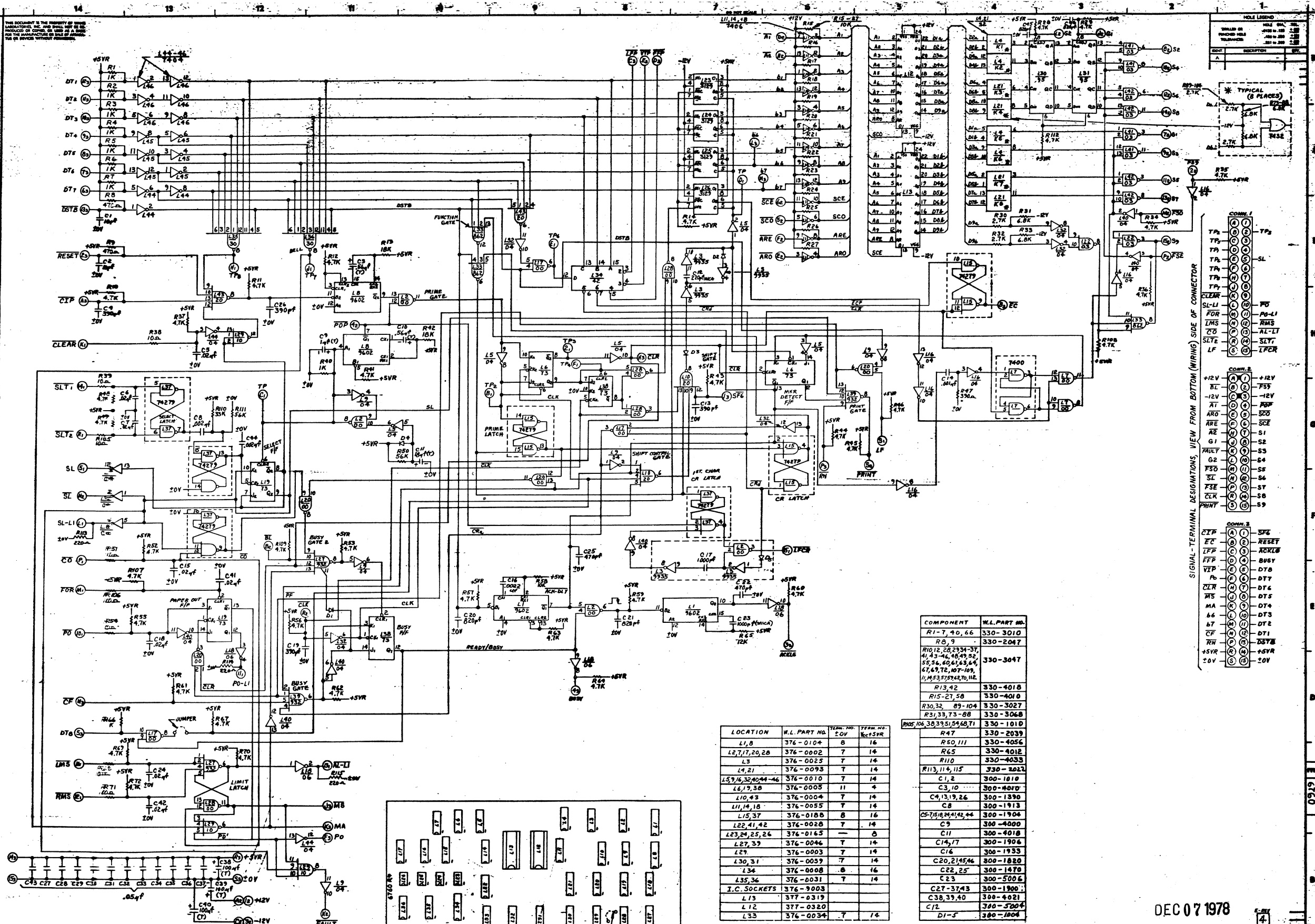


HOLE LEGEND		
TYPE	DESCRIPTION	QTY.
DRILLED OR	HOLE DIA.	TOL.
FURNISHED HOLE	134 - 250	±.005
TOLERANCES:	251 - 500	±.005



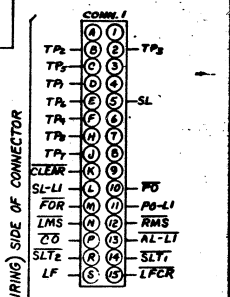
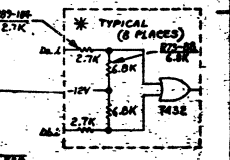
E-REV 7 DEC 07 1978

WANG PART NO.	ITEM	QTY.	NAME	MATERIAL	DESCRIPTION
62	FIRST USED ON				
	ASSY USED ON				
			WANG LABORATORIES, INC. TEMPORARY MADE U.S.A.	BY	DATE
			MODEL NO. 62 MATRIX PRINTER	DATE	APPROVED BY
			SEE ENGINE SPECIFICATIONS	DATE	DATE
			FINISH	TITLE SCHEMATIC LOGIBLOC POWER TRANSISTOR BOARD	
			TOL. DR. AS NOTED	210-6756	D 6756
			JES 2 818 PRAC. 2 1/164	WANG PART NUMBER	SIZE
			JESZ 2 888 ANG. 2 1/164	9	REV.
			SCALE	SHT. 1 OF 2	



HOLE LEGEND

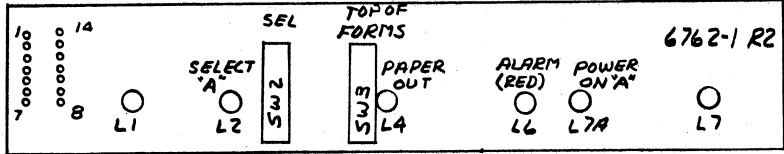
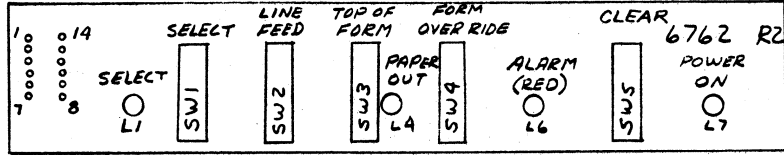
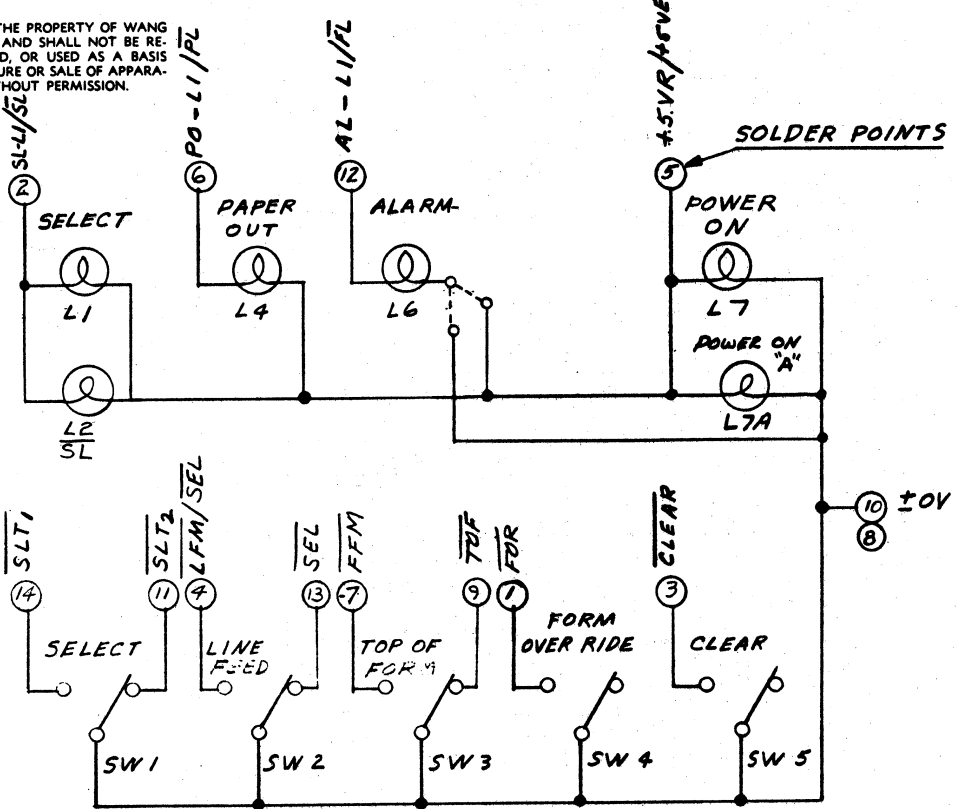
TYPE	SIZE	LOC.
DRILL	0.125	ALL
REPAIR	0.125	ALL
REPAIR	0.125	ALL



THIS DOCUMENT IS THE PROPERTY OF WANG LABORATORIES, INC. AND SHALL NOT BE REPRODUCED OR COPIED, OR USED AS A BASIS FOR THE MANUFACTURE OR SALE OF APPARATUS OR DEVICES WITHOUT PERMISSION.

HOLE LEGEND		
	HOLE DIA.	TOL.
DRILLED OR PUNCHED HOLE	.0135 to .125	+ .003 - .001
TOLERANCES:	.126 to .250	+ .004 - .001
	.251 to .500	+ .005 - .001
IDENT.	DESCRIPTION	QTY.
A		

LOADING CHART		
2231-W	928-2231W	W.L. PT NO.
SW1		325-2305
SW 2,3,4,5	SW 2,3	325-2300
L1,4,6,7	L2,4,6,7A	370-0015
L1,4,6,7	L1,2,4,6,7,7A	370-1020
L1,4,6,7	L1,2,4,6,7,7A	652-3002
I.C. PAD	I.C. PAD	376-9008



E-REV

0

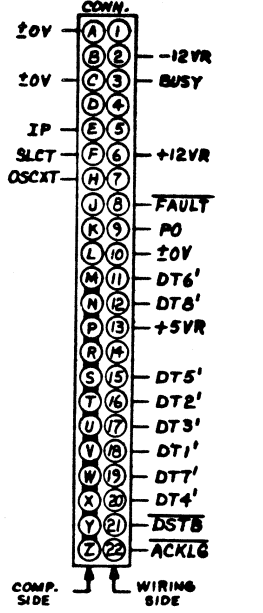
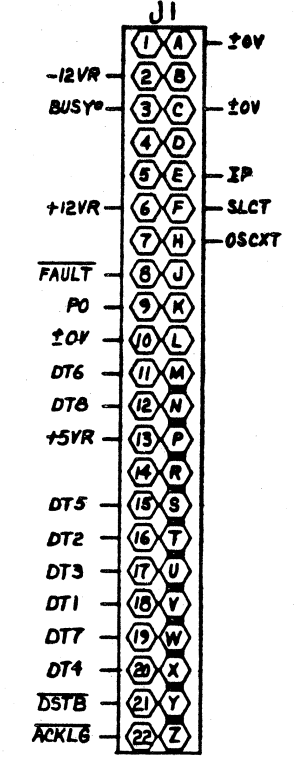
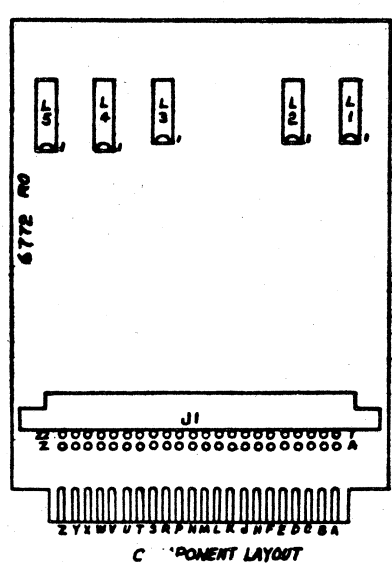
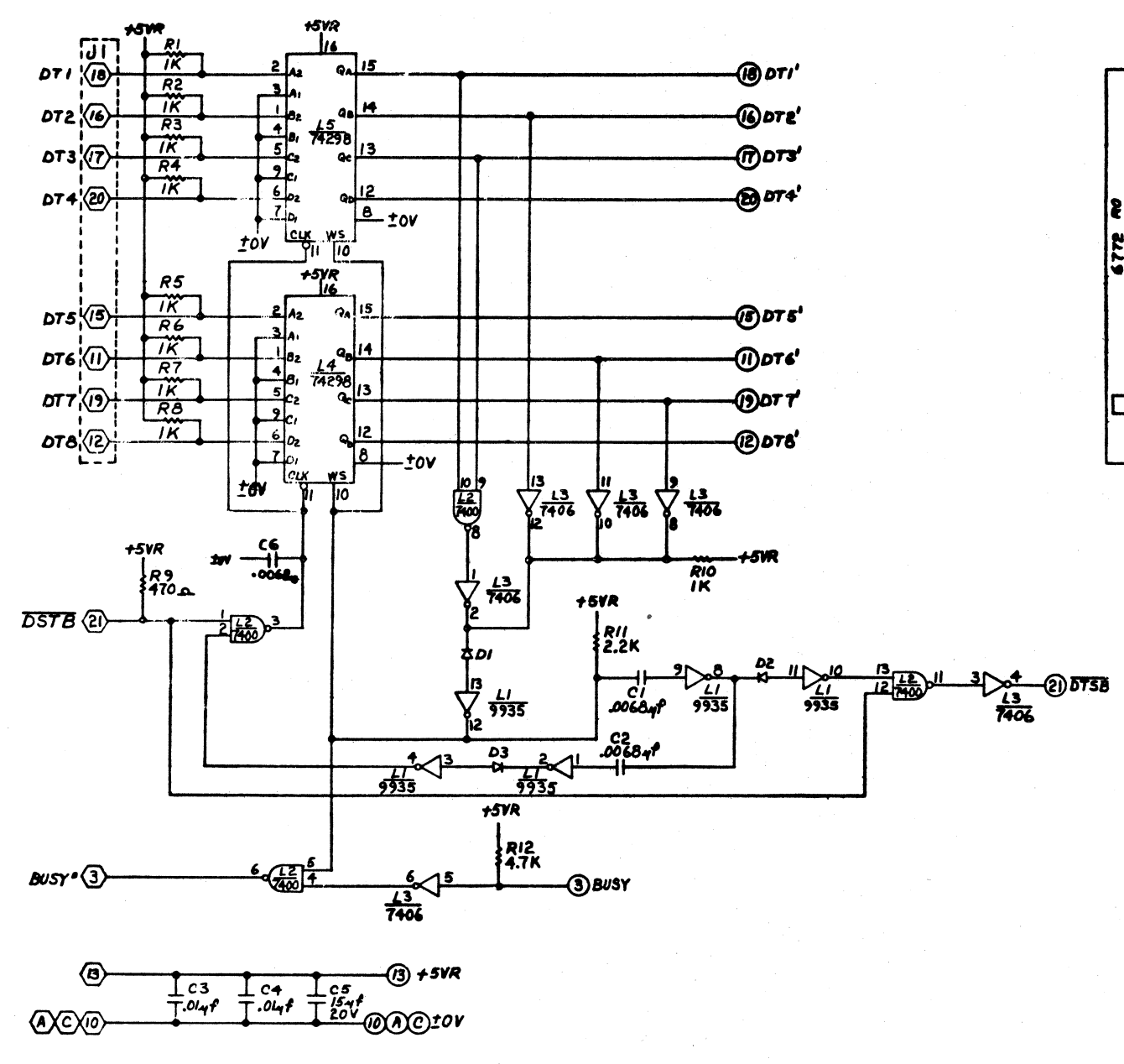
REV.	DATE	BY	DESCRIPTION
0	1-14-76	R.A.	ORG. PER. DWR. E096
1	1-4-76	R.A.	APP'D. D. Bill Allen
2	6-17-76	R.B.	CHG. PER. RFA #2017
3	9-19-76	R.B.	REMOVED PER E.C.N. #5504 & RFA #2149
4	2-17-77	EBA	REMOVED PER E.C.N. #5823

WANG PART NO.	ITEM	QTY.	NAME	MATERIAL	DESCRIPTION
2231			LABORATORIES, INC. TEWKSBURY, MASS. U. S. A.		
			MODEL NO. 2231		
			SEE ENGRG SPECIFICATIONS		
			TOL. EX. AS NOTED		
			.XX ± .010 FRAC. ± 1/64		
			.XXX ± .005 ANG. ± 1°30' FINISH V		
			SCALE	SHT 4 OF 5	
			BY	DATE	APPROVED BY
			DWN	1-14-76	E ENGR Bill Allen
			CHK	1-17-76	M ENGR
			E. C. CONTROL		MFG ENGR
			TITLE SCHEMATIC CONTROL PANEL KEYBOARD		
			SEE ABOVE	C	6762
			WANG PART NUMBER	SIZE	DRAWING NUMBER
					REV

2979 C

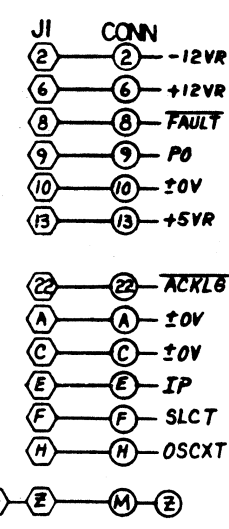
THIS DOCUMENT IS THE PROPERTY OF WANG LABORATORIES, INC. AND SHALL NOT BE REPRODUCED OR COPIED, OR USED AS A BASIS FOR THE MANUFACTURE OR SALE OF APPARATUS OR DEVICES WITHOUT PERMISSION.

HOLE LEGEND		
DRILLED HOLE	HOLE DIA.	TOL.
PUNCH HOLE	.0125 to .125	±.005
TOLERANCE	.125 to .250	±.005
	.251 to .500	±.005
QTY.	DESCRIPTION	QTY.
A		



LOCATION	W.L. PART NO.	TERM. NO.	TERMIN. NO.
L1	376-0025	7	14
L2	376-0002	7	14
L3	376-0055	7	14
L4,5	376-0138	8	16

COMPONENT	W.L. PART NO.
R1-8,10	330-3010
R9	330-2047
R11	330-3022
R12	330-3047
D1-3	380-1001
C1,2	300-1911
C3,4	300-1903
C5	300-4022
C6	300-1911
J1	350-0022



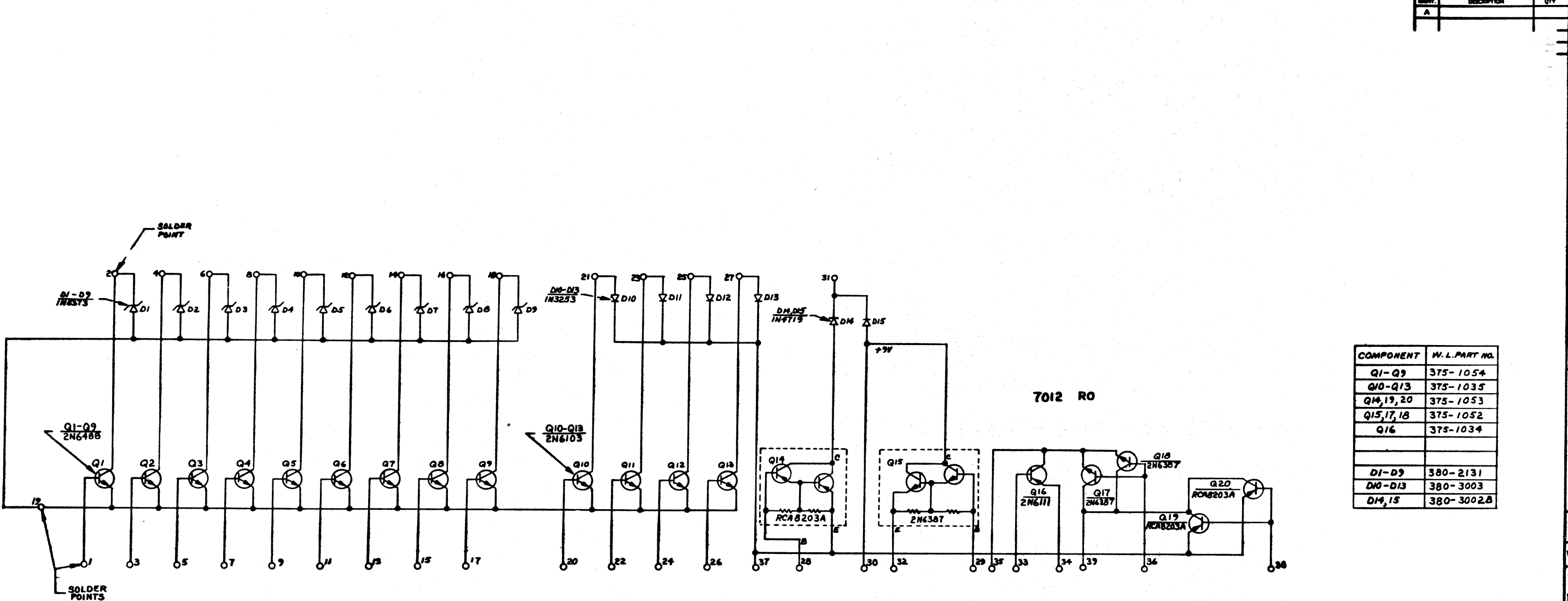
REV.	DATE	BY	DESCRIPTION
1	7/27/75	RFA	REV. PER RFA
2	7/27/75	RFA	REV. PER RFA

WANG PART NO.	ITEM	QTY.	NAME	MATERIAL	DESCRIPTION
	FIRST USED ON				
	ASSY USED ON				
			WANG LABORATORIES, INC. TEMPERATURE MADE U.S.A.	BY	DATE
			MATERIAL	DATE	APPROVED BY
			MODEL NO. 2221-W	7-25-75	E ENGR D. 8/5/75
			SEE DRAWING SPECIFICATIONS	CHK G. D.	7/24/75 M ENGR
			FINISH	E C CONTROL	MFG ENGR
			TOL. EX. AS NOTED	TITLE SCHEMATIC LOGI BLOC	
			30X ± 0.10 FRAC ± 1/64	QUICK RELEASE	
			30X ± 0.05 ANG ± 1'30" FINISH	210-6772	D 6772
			SCALE 1/4" = 1"	WANG PART NUMBER	SIZE
			SHT 4 OF 5		DRAWING NUMBER
					REV.

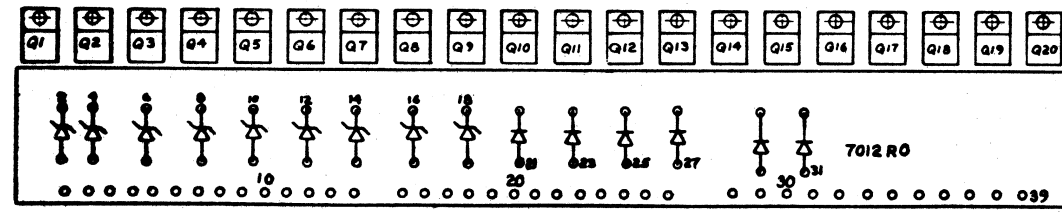
11 10 9 8 7 6 5 4 3 2 1

THIS DOCUMENT IS THE PROPERTY OF WANG LABORATORIES, INC. AND SHALL NOT BE REPRODUCED OR COPIED, OR USED AS A BASIS FOR THE MANUFACTURE OR SALE OF APPARATUS OR DEVICES WITHOUT PERMISSION.

HOLE LEGEND		
DRILLED OR	HOLE DIA	TOL.
PUNCHER HOLE	Ø125 to 125	±.002
TOLERANCE	126 to 250	±.001
	251 to 500	±.001
REV.	DESCRIPTION	QTY
A		



COMPONENT	W. L. PART NO.
Q1-Q9	375-1054
Q10-Q13	375-1035
Q14, 19, 20	375-1053
Q15, 17, 18	375-1052
Q16	375-1034
D1-D9	380-2131
D10-D13	380-3003
D14, 15	380-3002B



DEC 07 1978

E-REV
0

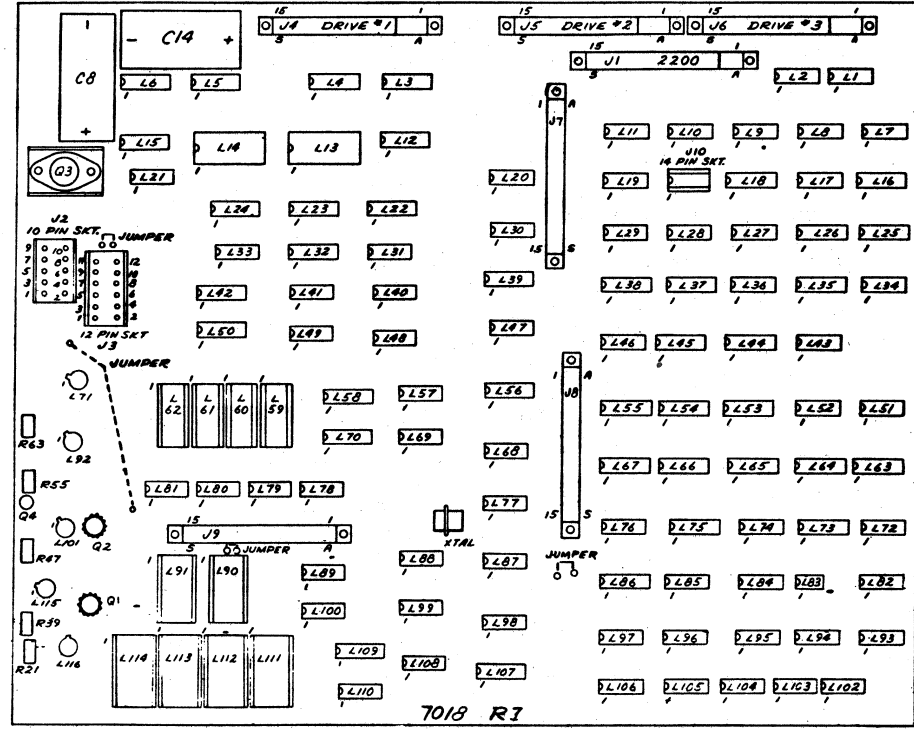
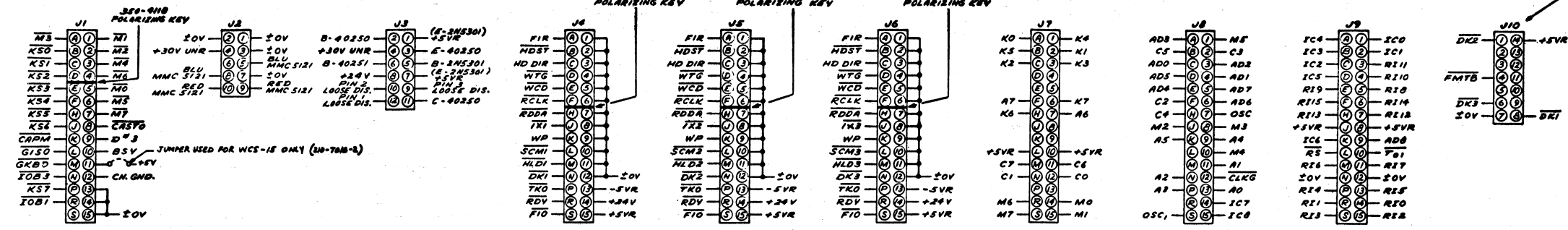
REVISION
DATE
APP. PER
CHK. E. P. P. 11/7/78
APP. E. P. P. 11/7/78

WANG PART NO.	ITEM	QTY	N A M E	MATERIAL	DESCRIPTION
72	PRINT USED ON				
	ASSEMBLY USED ON				
			WANG LABORATORIES, INC. TOWERSIDE MASS. U. S. A.	BY OWN <i>EK</i>	DATE 7-7-78
				APPROVED BY CHK <i>G.D.</i>	DATE 11/7/78
				E C CONTROL <i>10/1/78</i>	M ENGR <i>11/6/78</i>
					MFG ENGR
TITLE SCHEMATIC LOGIBLOC POWER TRANSISTOR BOARD					
			MODEL NO 72	210-7012	D 7012
			FINISH	SCALE 1/8" = 1" (SEE DRAWING FOR DIMENSIONS)	REV 0
				WANG PART NUMBER	SIZE
				DRAWING NUMBER	REV

11 10 9 8 7 6 5 4 3 2 1

THIS DOCUMENT IS THE PROPERTY OF WANG AND SHOULD BE RETURNED TO THE SOURCE FROM WHICH IT WAS OBTAINED. IT IS NOT TO BE REPRODUCED OR TRANSMITTED IN ANY FORM OR BY ANY MEANS WITHOUT THE WRITTEN PERMISSION OF WANG.

HOLE LEGEND		
DRILL DIA.	HOLE DIA.	VAL.
0.0315	0.0315	1.00
0.0625	0.0625	1.00
0.1250	0.1250	1.00
0.1875	0.1875	1.00
0.2500	0.2500	1.00
0.3125	0.3125	1.00
0.3750	0.3750	1.00
0.4375	0.4375	1.00
0.5000	0.5000	1.00
0.5625	0.5625	1.00
0.6250	0.6250	1.00
0.6875	0.6875	1.00
0.7500	0.7500	1.00
0.8125	0.8125	1.00
0.8750	0.8750	1.00
0.9375	0.9375	1.00
1.0000	1.0000	1.00
1.0625	1.0625	1.00
1.1250	1.1250	1.00
1.1875	1.1875	1.00
1.2500	1.2500	1.00
1.3125	1.3125	1.00
1.3750	1.3750	1.00
1.4375	1.4375	1.00
1.5000	1.5000	1.00
1.5625	1.5625	1.00
1.6250	1.6250	1.00
1.6875	1.6875	1.00
1.7500	1.7500	1.00
1.8125	1.8125	1.00
1.8750	1.8750	1.00
1.9375	1.9375	1.00
2.0000	2.0000	1.00



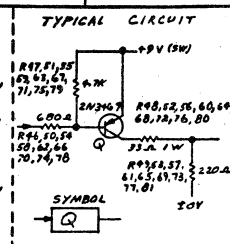
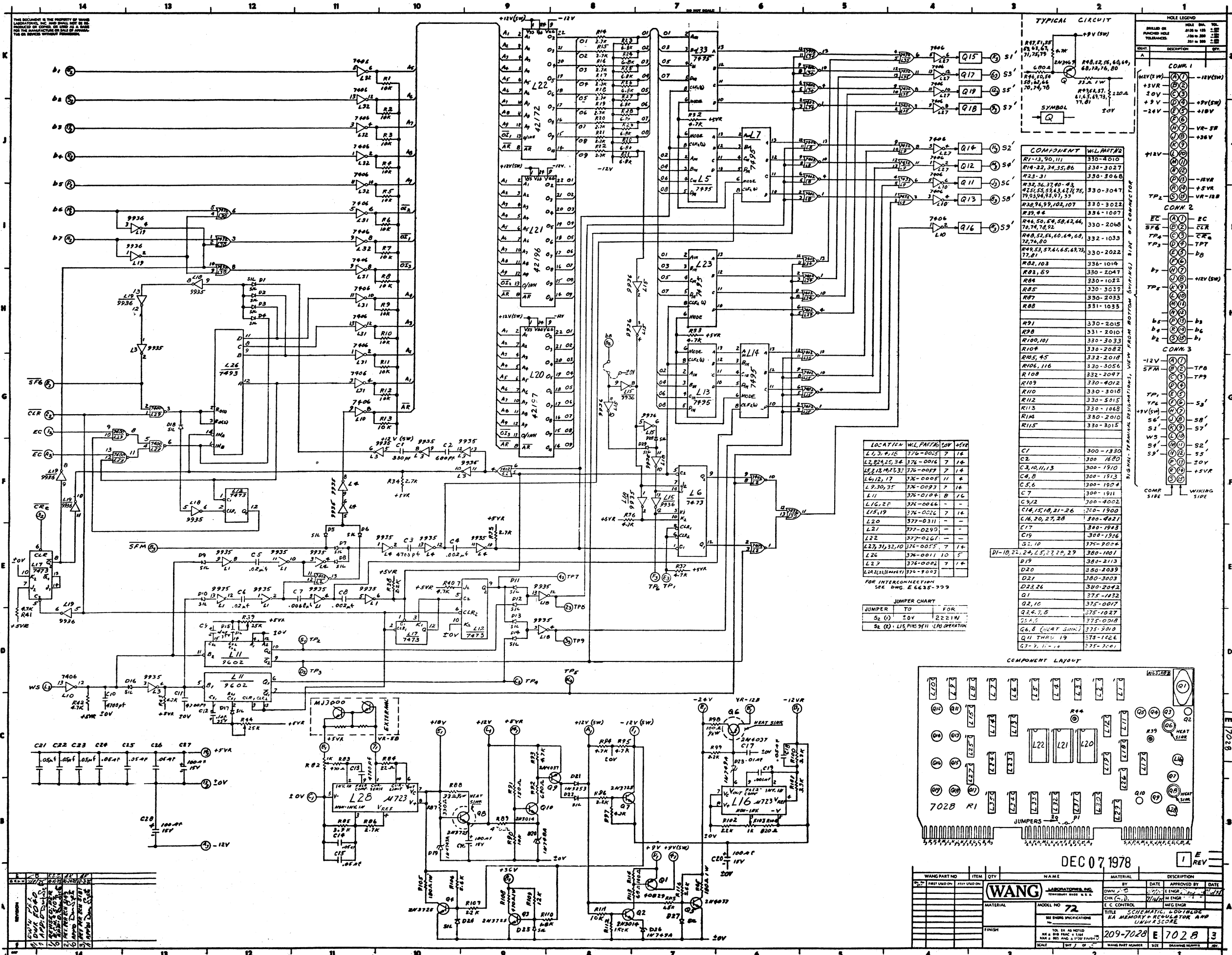
I.C. LOCATION	W.L. NO.	TERM	±0V	TERM	±5V
L1, 8, 93	376-0005	11	4		
L2, 9, 10, 11, 20, 31, 87, 104	376-0010	7	14		
L3, 6, 66, 67	376-0138	8	16		
L4, 5, 12, 15, 26, 37, 38, 54, 55	376-0048	8	16		
L7, 17, 34	376-0011	10	5		
L13, 14	376-0099	12	24		
L16, 22, 23, 24, 25	376-0082	8	16		
L18, 45, 65, 78, 79, 80, 81	376-0098	8	16		
L19, 27	376-0056	7	14		
L21	376-0025	7	14		
L28, 29	376-0028	7	14		
L30, 43, 49, 51, 68, 95, 102, 108	376-0002	7	14		
L32, 39	376-0096	8	16		
L33	376-0002	7	14		
L35, 44, 63	376-0080	8	16		
L36, 76, 88	376-0102	7	14		
L40, 57, 82, 98, 105	376-0081	7	14		
L41, 69, 72, 74, 97, 99, 103	376-0093	7	14		
L42, 50	376-0049	8	16		
L46	376-0036	7	14		
L47, 52, 84	376-0016	7	14		
L48, 85	376-0003	7	14		
L53	376-0097	8	16		
L56, 73, 107	376-0007	13	5		
L58, 70, 86	376-0053	8	16		
L59, 60, 61, 62	377-0308	8	22		
L64	376-C119	8	16		
L71, 92, 101, 115	376-0066				
L75	376-0047	8	16		
L77	376-0073	10	5		
L83	376-0124	1	8		
L89, 101	376-0055	7	14		
L90, 91	300-1900				
L96, 106	376-0006	7	14		
L105, 110	376-0094	8	16		
L111	378-0452M				
L112	378-0454M				
L113	378-0453M				
L114	378-0455M				
L94	376-0180	7	14		
L116	376-0134	9			

COMPONENT	W.L. NO.
R40, 128, 130, 138-139	330-3022
R1, 5-14, 22, 24-34, 36, 57, 59	330-3022
64-67, 72, 73, 75, 77, 80, 94, 109	330-3022
R2, 37, 38, 129	330-4027
R3, 118	330-3033
R4	330-6016
R20	330-5000
R21	336-1015
R23, 35, 132	330-2047
R43	331-1039
R45, 127	330-3082
R50, 51	331-0010
R39, 47, 55, 63	336-1014
R52, 53, 60, 131	330-3047
R54	330-2056
R56	330-3015
R46, 48, 58	330-3027
R61	330-2027
R42, 69	330-3048
R68	330-2048
R70, 71	330-2022
R74, 76	330-4047
R78, 79	330-2068
R98-113	330-3068
R44	330-2033
R41	333-0093
C1, 47, 48, 49, 50, 12	300-4022
C3, 19	300-2010
C4, 7	300-1907
C5, 11	300-1903
C6	300-2068
C8, 46	300-3055
C2, 51	300-1906
C10	300-1900
C13, 16, C23-44, 53	300-1904
C14	300-3054
C15	300-1100
C17	300-1910
C18	300-1350
C9	300-3011
C45	300-1226
XTAL	32-0008
D1-41, 42-44, 48	380-1001
D32	380-2091
D33, 34	380-2004
D35, 36, 39, 40, 45, 46	380-4000
D37	380-2051
D47	380-2062
D47, 49	380-0000
C20-22	300-4064
Q1	375-0018
Q2	375-1027
Q3	375-1031
Q4	375-1006
TRANSIPAD (LG)	375-9001
HEATSINK (BIRCHNER)	375-9010
R42 SEE VARIATION CHART SM.5 OF 7	331-1018 (7018)
	337-1039 (7018-1)
R35, 76, 97	370-0028
C12	320-1973

COMPONENT	W.L. NO.
U1, 4-9	350-0011
U2	654-1188
U3	654-1172
U10	654-1157
T.R. SKT. LOW PROFILE	654-1157
16 PIN I.C. SOCKET	376-9002
24 PIN I.C. SOCKET	376-9003
I.C. PAD 16 PIN	376-9008
22 PIN I.C. SOCKET	376-9010
14 PIN I.C. SOCKET	376-9012
POLARIZING KEY	350-4118

I.C. TYPE	LOCATION	SPARES
7400	L30	1
7400	L49	1
7400	L68	1
7404	L2	1
7404	L11	1
7407	L19	4
7407	L27	3
7408	L57	2
7432	L67	1
7432	L72	1
7432	L74	2
7432	L97	1
7432	L99	1
7432	L103	2
74LS04	L94	1

WANG PART NO.	ITEM	QTY	NAME	MATERIAL	DESCRIPTION
375-1001	IC1	1	7400	7400	7400
375-1002	IC2	1	7400	7400	7400
375-1003	IC3	1	7400	7400	7400
375-1004	IC4	1	7400	7400	7400
375-1005	IC5	1	7400	7400	7400
375-1006	IC6	1	7400	7400	7400
375-1007	IC7	1	7400	7400	7400
375-1008	IC8	1	7400	7400	7400
375-1009	IC9	1	7400	7400	7400
375-1010	IC10	1	7400	7400	7400
375-1011	IC11	1	7400	7400	7400
375-1012	IC12	1	7400	7400	7400
375-1013	IC13	1	7400	7400	7400
375-1014	IC14	1	7400	7400	7400
375-1015	IC15	1	7400	7400	7400
375-1016	IC16	1	7400	7400	7400
375-1017	IC17	1	7400	7400	7400
375-1018	IC18	1	7400	7400	7400
375-1019	IC19	1	7400	7400	7400
375-1020	IC20	1	7400	7400	7400
375-1021	IC21	1	7400	7400	7400
375-1022	IC22	1	7400	7400	7400
375-1023	IC23	1	7400	7400	7400
375-1024	IC24	1	7400	7400	7400
375-1025	IC25	1	7400	7400	7400
375-1026	IC26	1	7400	7400	7400
375-1027	IC27	1	7400	7400	7400
375-1028	IC28	1	7400	7400	7400
375-1029	IC29	1	7400	7400	7400
375-1030	IC30	1	7400	7400	7400
375-1031	IC31	1	7400	7400	7400
375-1032	IC32	1	7400	7400	7400
375-1033	IC33	1	7400	7400	7400
375-1034	IC34	1	7400	7400	7400
375-1035	IC35	1	7400	7400	7400
375-1036	IC36	1	7400	7400	7400
375-1037	IC37	1	7400	7400	7400
375-1038	IC38	1	7400	7400	7400
375-1039	IC39	1	7400	7400	7400
375-1040	IC40	1	7400	7400	7400
375-1041	IC41	1	7400	7400	7400
375-1042	IC42	1	7400	7400	7400
375-1043	IC43	1	7400	7400	7400
375-1044	IC44	1	7400	7400	7400
375-1045	IC45	1	7400	7400	7400
375-1046	IC46	1	7400	7400	7400
375-1047	IC47	1	7400	7400	7400
375-1048	IC48	1	7400	7400	7400
375-1049	IC49	1	7400	7400	7400
375-1050	IC50	1	7400	7400	7400
375-1051	IC51	1	7400	7400	7400
375-1052	IC52	1	7400	7400	7400
375-1053	IC53	1	7400	7400	7400
375-1054	IC54	1	7400	7400	7400
375-1055	IC55	1	7400	7400	7400
375-1056	IC56	1	7400	7400	7400
375-1057	IC57	1	7400	7400	7400
375-1058	IC58	1	7400	7400	7400
375-1059	IC59	1	7400	7400	7400
375-1060	IC60	1	7400	7400	7400
375-1061	IC61	1	7400	7400	7400
375-1062	IC62	1	7400	7400	7400
375-1063	IC63	1	7400	7400	7400
375-1064	IC64	1	7400	7400	7400
375-1065	IC65	1	7400	7400	7400
375-1066	IC66	1	7400	7400	7400
375-1067	IC67	1	7400	7400	7400
375-1068	IC68	1	7400	7400	7400
375-1069	IC69	1	7400	7400	7400
375-1070	IC70	1	7400	7400	7400
375-1071	IC71	1	7400	7400	7400
375-1072	IC72	1	7400	7400	7400
375-1073	IC73	1	7400	7400	7400
375-1074	IC74	1	7400	7400	7400
375-1075	IC75	1	7400	7400	7400
375-1076	IC76	1	7400	7400	7400
375-1077	IC77	1	7400	7400	7400
375-1078	IC78	1	7400	7400	7400
375-1079	IC79	1	7400	7400	7400
375-1080	IC80	1	7400	7400	7400
375-1081	IC81	1	7400	7400	7400
375-1082	IC82	1			



COMPONENT W.L. PART NO.

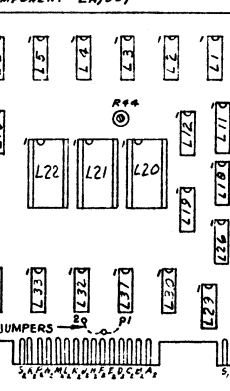
R1-13, 90, 111	330-4010
R14-22, 34, 35, 86	230-2027
R23-31	330-3068
R32, 36, 37, 40-43	330-3047
42, 51, 55, 58, 63, 67, 75, 79, 83, 94, 95, 97, 99	330-3022
R30, 96, 99, 102, 107	330-3022
R39, 46	336-1007
R44, 50, 54, 58, 62, 66, 70, 74, 78, 82	330-2068
R48, 52, 56, 60, 64, 68, 72, 76, 80	332-1033
R49, 53, 57, 61, 65, 69, 73, 81	330-2022
R82, 103	336-1014
R83, 69	330-2047
R84	330-1022
R85	330-3035
R87	330-2033
R88	331-1033
R91	330-2015
R98	331-2010
R100, 101	330-3033
R104	330-2082
R105, 45	332-2018
R106, 116	330-3056
R108	332-2097
R109	330-4012
R110	330-3018
R112	330-5015
R113	330-1068
R114	330-2010
R115	330-3015

COMPONENT W.L. PART NO.

C1	300-1330
C2	300-1800
C3, 10, 11, 13	300-1910
C4, 8	300-1513
C5, 6	300-1904
C7	300-1911
C9, 12	300-4002
C16, 15, 18, 21-26	300-1900
L20	300-4021
C17	300-1943
C19	300-1926
G2, 10	375-9024
D1-10, 24, 24, 25, 27, 29, 29	380-1001
D19	380-2113
D20	380-2039
D21	380-3003
D22, 26	380-2092
Q1	375-1027
Q2, 10	375-0017
Q3, 7, 8	375-1027
Q4, 6	375-0018
Q5, 8 (HEAT SINK)	375-5010
Q11 THRU 19	375-1026
Q7-9, 11-14	375-2047

LOCATION W.L. PART NO. 20V +5V

L1, 3, 4, 15	376-0015	7	16
L2, 24, 25, 34	376-0016	7	14
L5, 13, 14, 23, 33	376-0019	7	14
L6, 12, 17	376-0015	11	6
L9, 30, 35	376-0019	7	16
L11	376-0104	8	16
L16, 22	376-0046	-	-
L15, 19	376-0026	7	16
L20	377-0311	-	-
L21	377-0290	-	-
L22	377-0261	-	-
L23, 31, 32, 10	376-0015	7	14
L26	376-0011	10	7
L27	376-0002	7	14
L10, 21, 22 (HEAT SINK)	376-5003	-	-



DEC 07 1978

WANG PART NO. ITEM QTY NAME MATERIAL DESCRIPTION DATE

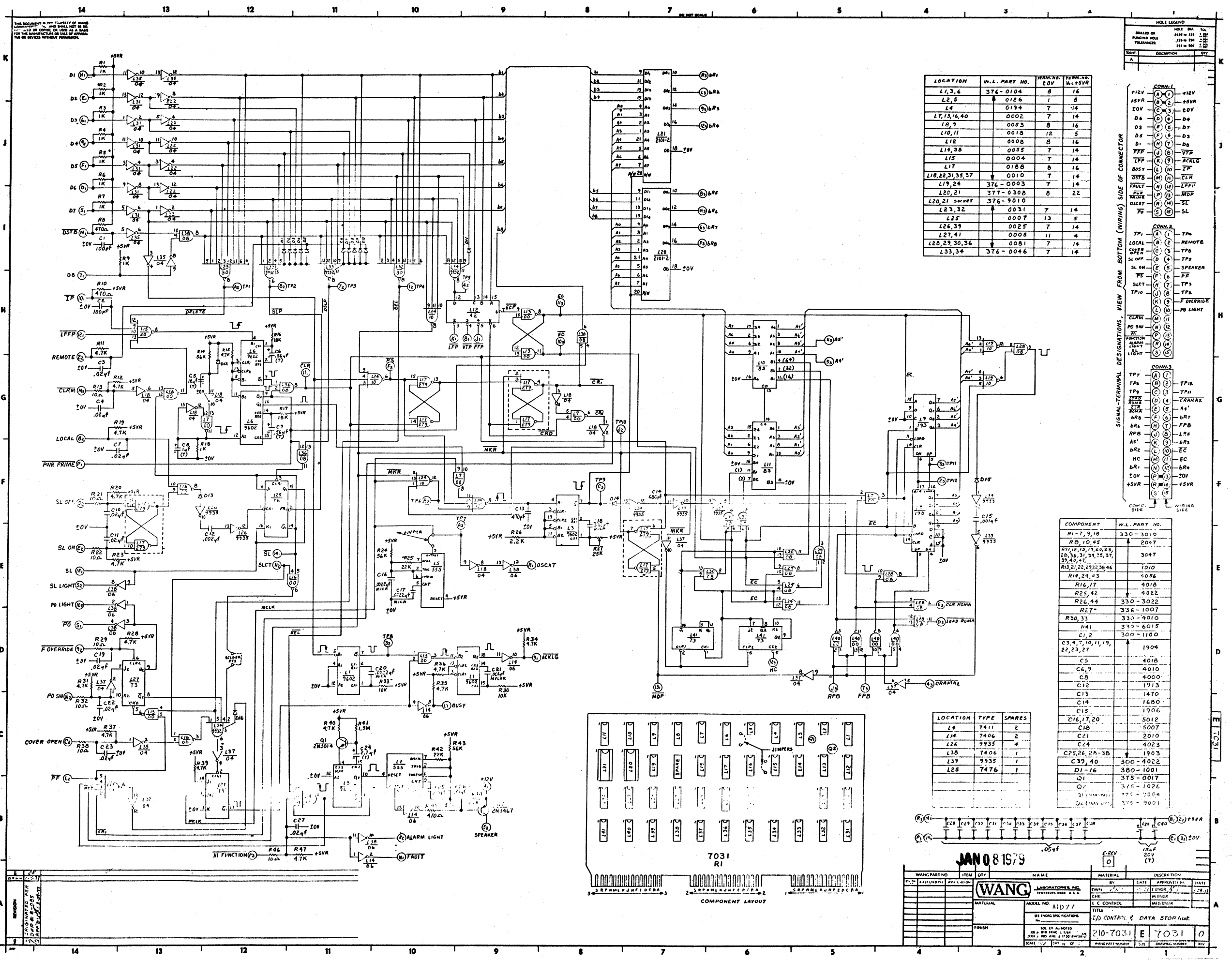
72	1	1	WANG	LABORATORIES, INC.	DATE	APPROVED BY	DATE
72	1	1	WANG	LABORATORIES, INC.	DATE	APPROVED BY	DATE

REVISIONS

NO.	DESCRIPTION	DATE
1	INITIAL DESIGN	10/1/78
2	ADD COMPONENTS	10/1/78
3	REVISE SCHEMATIC	10/1/78
4	REVISE LAYOUT	10/1/78
5	REVISE DRAWING	10/1/78

WANG PART NO. ITEM QTY NAME MATERIAL DESCRIPTION DATE

72	1	1	WANG	LABORATORIES, INC.	DATE	APPROVED BY	DATE
72	1	1	WANG	LABORATORIES, INC.	DATE	APPROVED BY	DATE

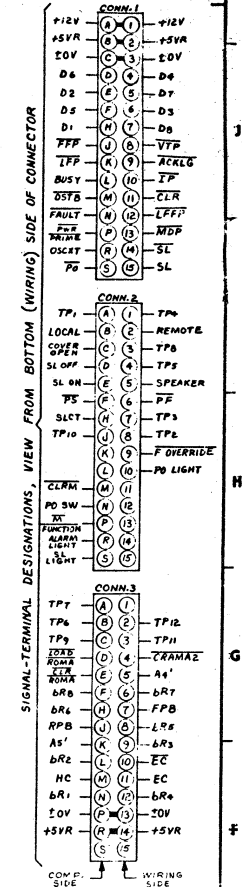


THIS DOCUMENT IS THE PROPERTY OF WANG LABORATORIES, INC. AND SHALL NOT BE REPRODUCED OR COPIED, OR USED AS A BASIS FOR THE MANUFACTURE OR SALE OF APPROXIMATE OR DEVICES WITHOUT PERMISSION.

HOLE LEGEND

DRILLED OR PUNCHED HOLE TOLERANCES	HOLE DIA.	TOL.
Ø1/16"	.015"	±.002"
Ø1/8"	.031"	±.002"
Ø1/4"	.125"	±.002"

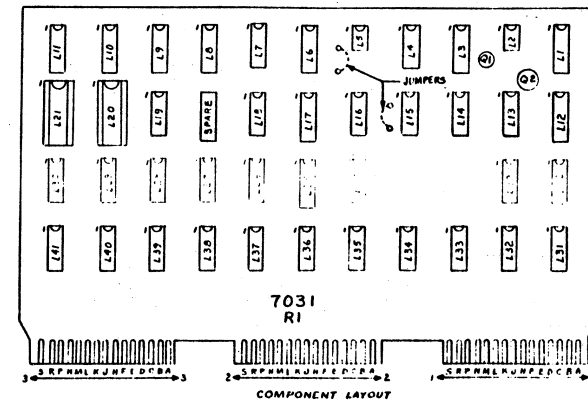
LOCATION	W.L. PART NO.	TERMS	TERMS
L1,3,6	376-0104	8	16
L2,5	0126	1	0
L4	0194	7	14
L7,13,14,40	0002	7	14
L8,9	0053	8	16
L10,11	0010	8	16
L14,38	0008	8	16
L15	0004	7	14
L17	0188	8	16
L18,22,31,35,37	0010	7	14
L19,24	376-0003	7	14
L20,21	377-0308	8	16
L20,21 OSCNET	376-9010		
L23,32	0031	7	14
L25	0007	13	5
L26,39	0025	7	14
L27,41	0005	11	4
L28,29,30,36	0081	7	14
L33,34	376-0046	7	14



COMPONENT

COMPONENT	W.L. PART NO.
R1-7,9,18	330-3010
R8,10,45	2047
R11,12,15,17,20,23,28,31,31,34,35,37,39,40,41	3047
R13,21,22,23,33,38,46	1010
R14,24,43	4056
R16,17	4018
R25,42	4022
R26,44	330-3022
RE7	336-1007
R30,33	330-4010
R41	333-6015
C1,2	300-1100
C3,4,7,10,11,19,22,23,27	1904
C5	4018
C6,9	4010
C8	4000
C12	1913
C13	1470
C14	1680
C15	1906
C16,17,20	5012
C18	5007
C21	2010
C24	4023
C25,26,28,38	1903
C39,40	500-4022
D1-16	380-1001
Q1	375-0017
Q2	375-1024
Q3 (TRANSISTOR)	775-7004
Q4 (TRANSISTOR)	375-9001

LOCATION	TYPE	SPARES
L4	7411	2
L14	7406	2
L26	9935	4
L38	7406	1
L39	9935	1
L25	7476	1



JAN 08 1979

WANG PART NO.	ITEM	QTY	NAME	MATERIAL	DESCRIPTION	DATE	APPROVED BY	DATE
7031	1	1	7031 RI					

WANG LABORATORIES, INC. MODEL NO. A1077

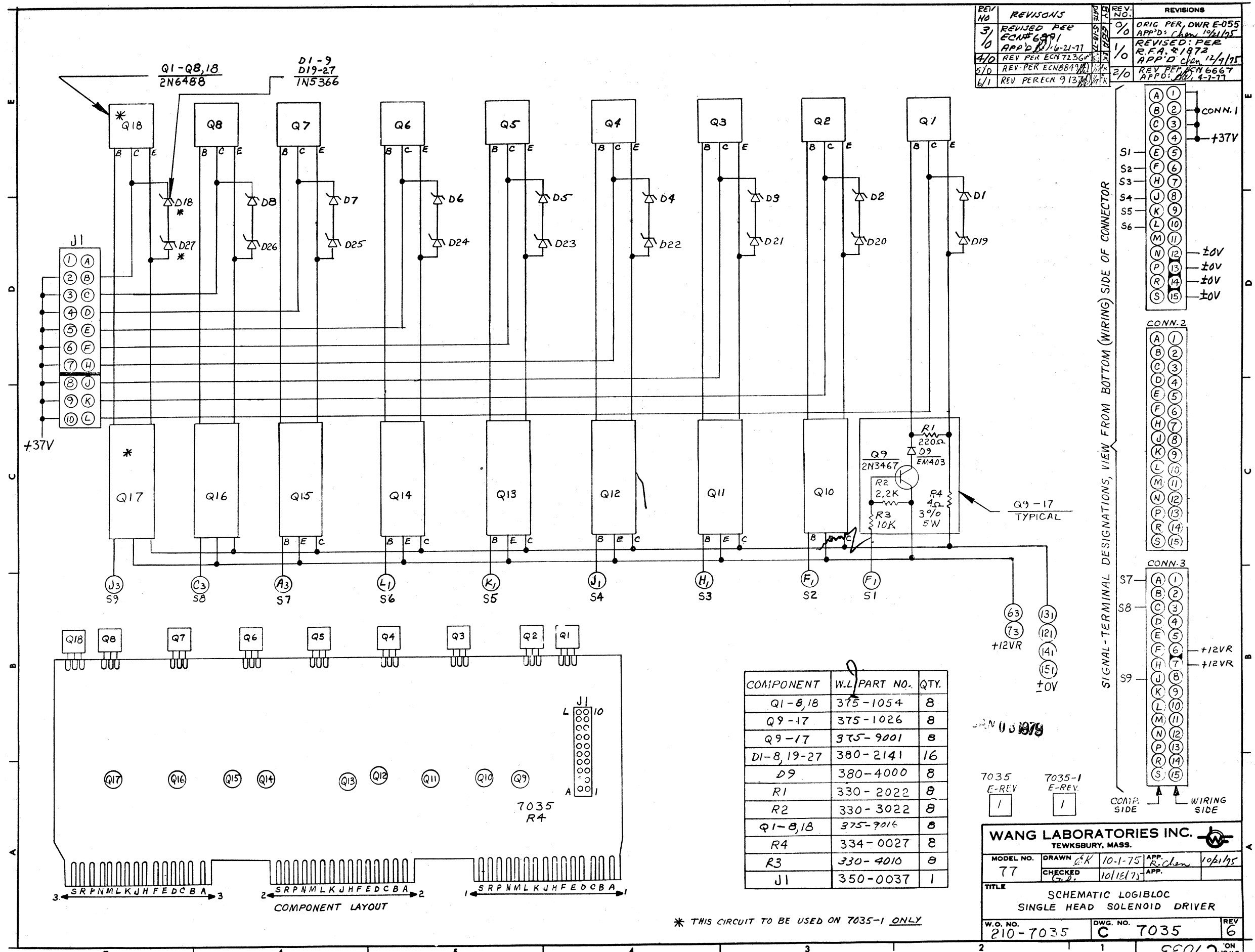
ENGINEERING

DATE: 1/8/79

SCALE: 1:1

210-7031 E 7031 0

REV. NO.	REVISIONS	REV. NO.	REVISIONS
3/0	REVISED PER ECN# 6991	0/0	ORIG. PER. DWR E-055
4/0	REV. PER ECN# 7136	1/0	REVISED PER R.F.A. 2/1972
5/0	REV. PER ECN# 8849	2/0	REV. PER ECN# 6667
6/1	REV. PER ECN# 9137		



COMPONENT	W.L. PART NO.	QTY.
Q1-8,18	375-1054	8
Q9-17	375-1026	8
Q9-17	375-9001	8
D1-8,19-27	380-2141	16
D9	380-4000	8
R1	330-2022	8
R2	330-3022	8
Q1-8,18	375-9016	8
R4	334-0027	8
R3	330-4010	8
J1	350-0037	1

JAN 03 1979

7035 E-REV 1
7035-1 E-REV 1

WANG LABORATORIES INC.
TEWKSBURY, MASS.

MODEL NO. 77
DRAWN G.K. 10-1-75
CHECKED G.L. 10/18/75

APP. R.Chen 10/1/75
APP.

TITLE
SCHEMATIC LOGIBLOC
SINGLE HEAD SOLENOID DRIVER

W.O. NO. 210-7035
DWG. NO. C 7035
REV 6

* THIS CIRCUIT TO BE USED ON 7035-1 ONLY

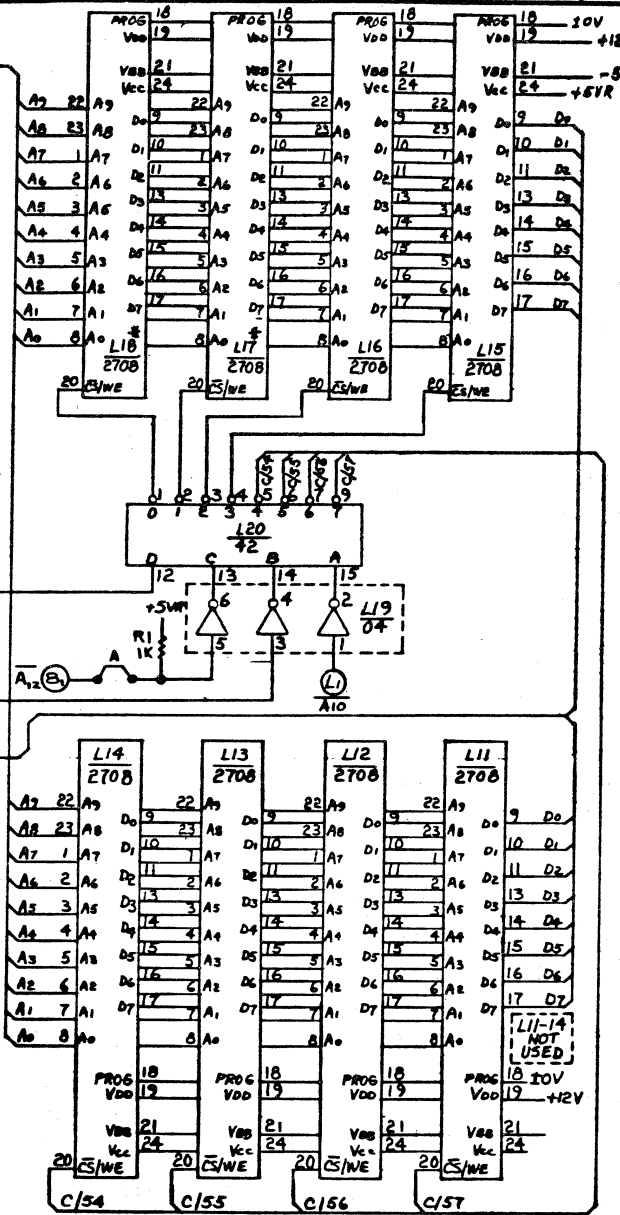
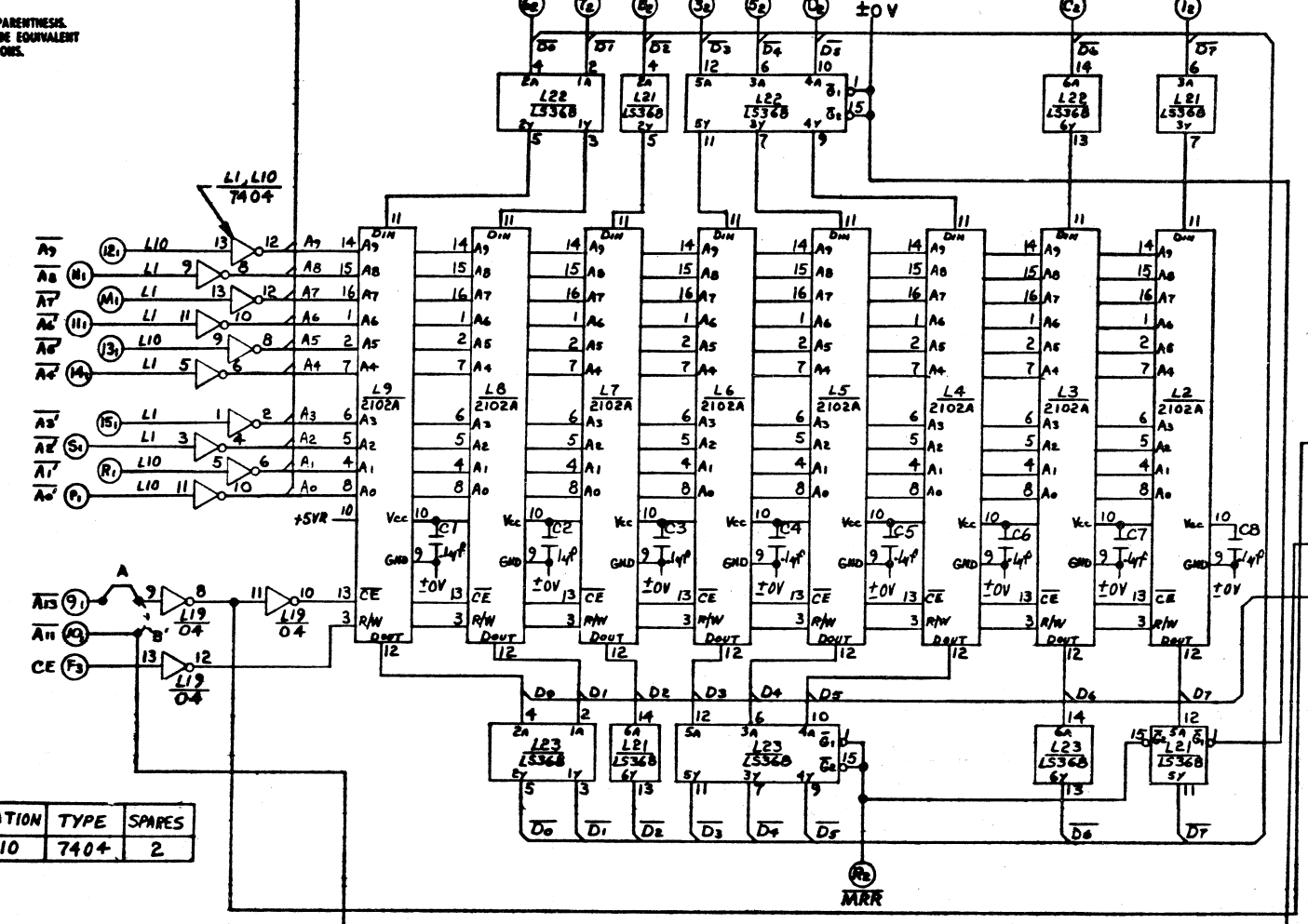
58070 ON DWG

THE INFORMATION CONTAINED IN THIS DRAWING IS THE PROPERTY OF WANG LABORATORIES, INC. AND IS CONFIDENTIAL AND PROPRIETARY TO WANG LABORATORIES, INC. IT MAY NOT BE COPIED, REPRODUCED OR USED IN WHOLE OR IN PART FOR ANY REASON.

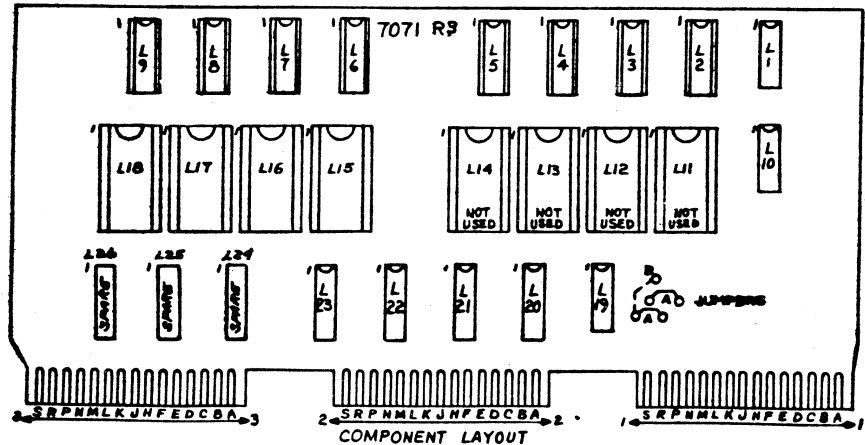
MILLIMETERS IN PARENTHESES. TOLERANCES TO BE EQUIVALENT TO SUCH DIMENSIONS.

DO NOT SCALE

11 10 9 8 7 5 4 3 2 1



LOCATION	TYPE	SPARES
L10	7404	2



COMPONENT	W.L. PART NO.
C1-8	300-1930
C9,10,11	300-1900
C12,13,14	300-4018
C15	300-4017
R1	330-3010

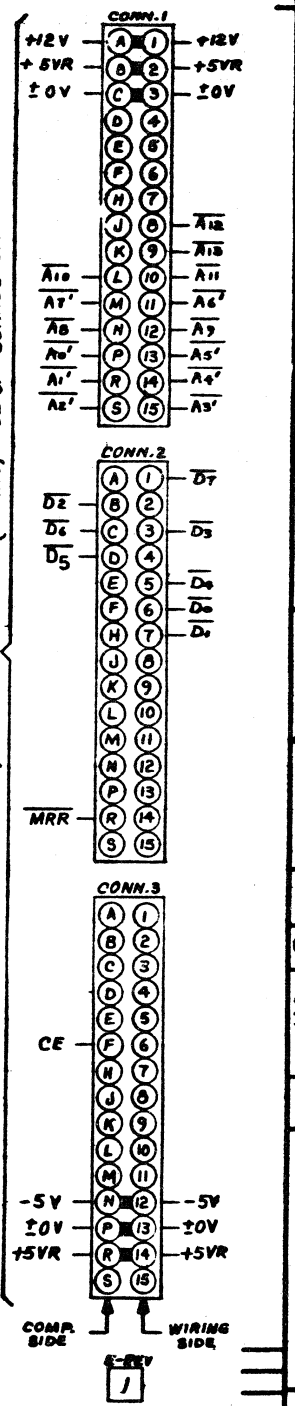
LOCATION	W.L. PART NO.	TERM. NO. ±0V	TERM. NO. Vcc+5VR
L1,10,19	376-0010	7	14
L2-9	377-0069	9	10
*L15-18		12	24
L20	376-0008	8	16
L21,22,23	376-0179	8	16

* SEE SOFTWARE LOADING CHART

SOFTWARE LOADING CHART					
	L15	L16	L17	L18	L2-L9
ENGLISH 3 PER	378-2014-R7	378-2013-R6	378-2012-R6	378-2011-R6	377-0069
ENGLISH 1 PER	378-2023-R6	378-2022-R5	378-2021-R5	378-2020-R5	377-0069
METRIC 3 PER	378-2010-R7	378-2009-R6	378-2008-R6	378-2007-R6	377-0069
METRIC 1 PER	378-2019-R6	378-2018-R5	378-2017-R5	378-2016-R5	377-0069
METRIC 3 PER			378-2229	378-2228	377-0069

JUMPERS	A	B
DEBUG USE	REMOVE	LOAD
NORMAL	LOAD	REMOVE

HOLE LEGEND & TOLERANCES		
HOLE DIA	TOLERANCE	QTY.
Ø.035 - .125	±.003 - .004	
.125 - .250	±.004 - .005	
.251 - .500	±.005 - .006	



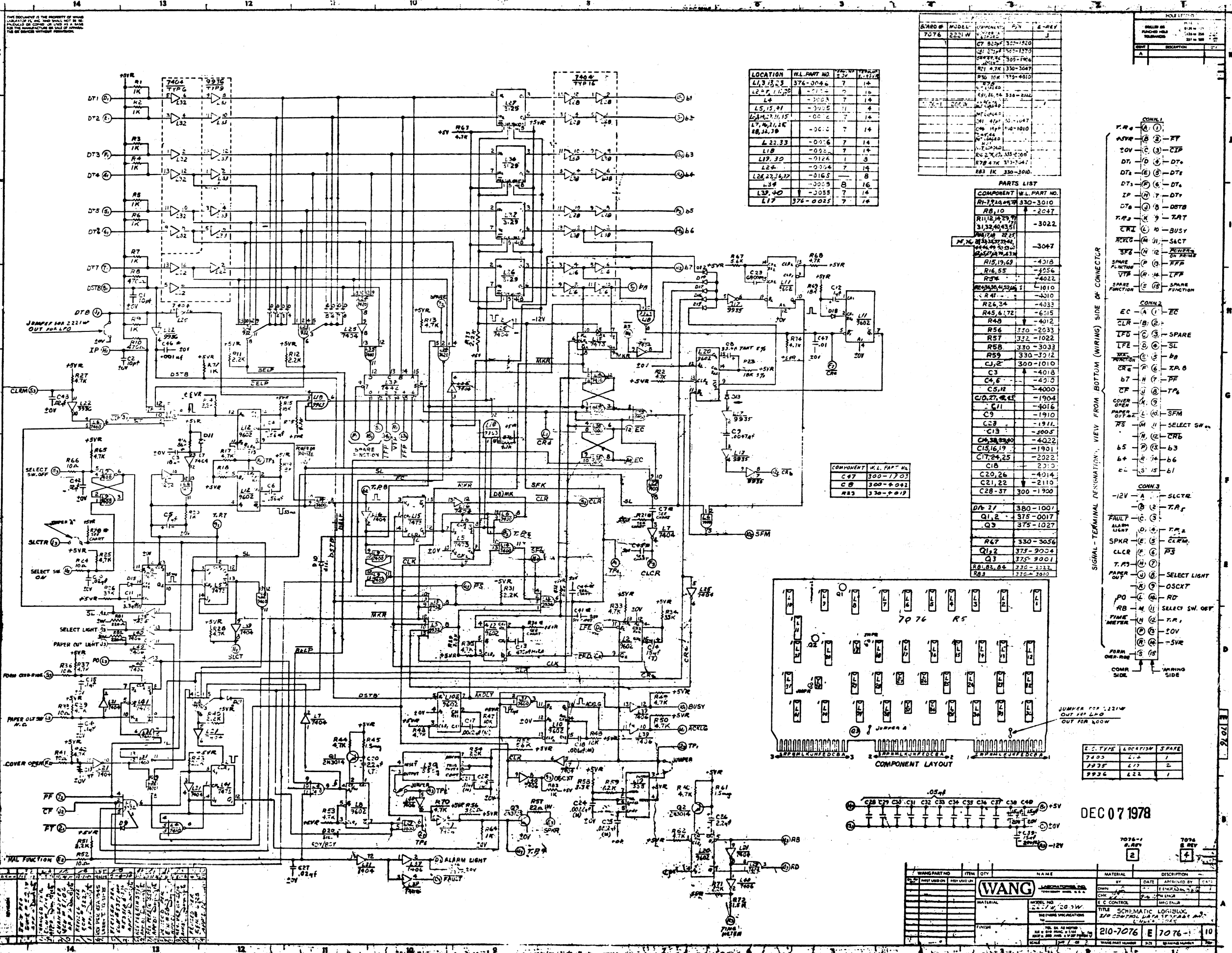
DEC 07 1978

REV.	DESCRIPTION	DATE	BY	APPROVED BY	DATE
0	REDRAWN PER DWG # E113	4-8-76			
1	REVISED PER APP'D: JCH	4-20-76			
2	REVISED PER APP'D: JCH	4-20-76			
3	REVISED PER APP'D: JCH	5-28-76			
4	REVISED PER APP'D: JCH	5-28-76			
5	REVISED PER APP'D: JCH	5-28-76			
6	REVISED PER APP'D: JCH	5-28-76			
7	REVISED PER APP'D: JCH	5-28-76			

QTY.	ITEM	WANG PART NO.	DRAWING NO.	DESCRIPTION

BY	DATE	APPROVED BY	DATE
DWN	4-8-76	E ENGR	5/4/76
CHE	4/26/76	M ENGR	

MODEL NO.	TITLE	WANG PART NUMBER	SIZE	DRAWING NUMBER	REV.
2212W	SCHEMATIC LOGIBLOC RAM/PROM MEMORY	210-7071	D	7071	7



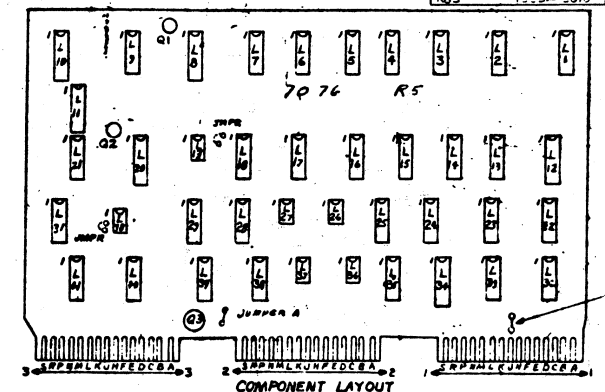
LOCATION	W.L. PART NO.	QTY	REV
L1,2,3,5	376-0046	7	14
L2,5,7,10,20	-	7	14
L4	-	7	14
L5,15,21	-	11	4
L6,11,11,15	-	7	14
L7,10,11,14	-	7	14
L8,14,20	-	7	14
L22,33	-	7	14
L18	-	7	14
L19,30	-	1	3
L24	-	7	14
L26,27,32,37	-	8	16
L34	-	8	16
L39,40	-	7	14
L17	376-0025	7	14

WARRANTY #	MODEL	COMPONENT	QTY	REV
7076	2221W	C7 825P	300-1820	J
		C21 22K	375-0017	
		C22 22K	375-0017	
		R21 4.7K	330-3047	
		R30 10K	330-4810	
		R31 10K	330-4810	
		R32 10K	330-4810	
		R33 10K	330-4810	
		R34 10K	330-4810	
		R35 10K	330-4810	
		R36 10K	330-4810	
		R37 10K	330-4810	
		R38 10K	330-4810	
		R39 10K	330-4810	
		R40 10K	330-4810	
		R41 10K	330-4810	
		R42 10K	330-4810	
		R43 10K	330-4810	
		R44 10K	330-4810	
		R45 10K	330-4810	
		R46 10K	330-4810	
		R47 10K	330-4810	
		R48 10K	330-4810	
		R49 10K	330-4810	
		R50 10K	330-4810	
		R51 10K	330-4810	
		R52 10K	330-4810	
		R53 10K	330-4810	
		R54 10K	330-4810	
		R55 10K	330-4810	
		R56 10K	330-4810	
		R57 10K	330-4810	
		R58 10K	330-4810	
		R59 10K	330-4810	
		R60 10K	330-4810	
		R61 10K	330-4810	
		R62 10K	330-4810	
		R63 10K	330-4810	
		R64 10K	330-4810	
		R65 10K	330-4810	
		R66 10K	330-4810	
		R67 10K	330-4810	
		R68 10K	330-4810	
		R69 10K	330-4810	
		R70 10K	330-4810	
		R71 10K	330-4810	
		R72 10K	330-4810	
		R73 10K	330-4810	
		R74 10K	330-4810	
		R75 10K	330-4810	
		R76 10K	330-4810	
		R77 10K	330-4810	
		R78 10K	330-4810	
		R79 10K	330-4810	
		R80 10K	330-4810	
		R81 10K	330-4810	
		R82 10K	330-4810	
		R83 10K	330-4810	
		R84 10K	330-4810	
		R85 10K	330-4810	
		R86 10K	330-4810	
		R87 10K	330-4810	
		R88 10K	330-4810	
		R89 10K	330-4810	
		R90 10K	330-4810	
		R91 10K	330-4810	
		R92 10K	330-4810	
		R93 10K	330-4810	
		R94 10K	330-4810	
		R95 10K	330-4810	
		R96 10K	330-4810	
		R97 10K	330-4810	
		R98 10K	330-4810	
		R99 10K	330-4810	
		R100 10K	330-4810	

COMPONENT	W.L. PART NO.	QTY	REV
R1-7,14,47,48	330-3010		
R8,10	-	2	247
R11,12,14,29,41	-		
R13,24,40,43,51	-		3022
R17,18,22,25	-		
R19,20,23,27,34,35,36,37,38,39,42,44,45,46,49,50,52,53,54,55,56,57,58,59,60,61,62,63,64,65,66,67,68,69,70,71,72,73,74,75,76,77,78,79,80,81,82,83,84,85,86,87,88,89,90,91,92,93,94,95,96,97,98,99,100	-		3047
R15,19,63	-		4318
R16,55	-		4256
R17,18	-		4022
R19,20,23,27,34,35,36,37,38,39,42,44,45,46,49,50,52,53,54,55,56,57,58,59,60,61,62,63,64,65,66,67,68,69,70,71,72,73,74,75,76,77,78,79,80,81,82,83,84,85,86,87,88,89,90,91,92,93,94,95,96,97,98,99,100	-		1010
R41	-		4010
R26,34	-		4033
R45,47,72	-		6515
R48	-		4012
R56	330-2033		
R57	332-1022		
R58	330-3033		
R59	330-3012		
C1,2	300-1010		
C3	-		4018
C4,6	-		4010
C5,12	-		4000
C10,27,42,43	-		1904
C11	-		4016
C9	-		1910
C28	-		1911
C13	-		3005
C14,38,39,40	-		4022
C15,16,19	-		1901
C17,24,25	-		2022
C18	-		2010
C20,26	-		4014
C21,22	-		2110
C28-37	300-1900		
D1,2	380-1001		
Q1,2	375-0017		
Q3	375-1027		
R47	330-3056		
Q1,2	375-9004		
Q3	375-9001		
R1,12,84	330-2222		
R83	330-3010		

COMPONENT	W.L. PART NO.	QTY	REV
C47	300-1703		
C8	300-4042		
R83	330-4019		

- CONN 1
- 1 - FT
 - 2 - FT
 - 3 - CIP
 - 4 - DT6
 - 5 - DT6
 - 6 - DT6
 - 7 - DT6
 - 8 - DT6
 - 9 - TAT
 - 10 - BUSY
 - 11 - SACT
 - 12 - SACT
 - 13 - SACT
 - 14 - SACT
 - 15 - SACT
 - 16 - SACT
 - 17 - SACT
 - 18 - SACT
 - 19 - SACT
 - 20 - SACT
 - 21 - SACT
 - 22 - SACT
 - 23 - SACT
 - 24 - SACT
 - 25 - SACT
 - 26 - SACT
 - 27 - SACT
 - 28 - SACT
 - 29 - SACT
 - 30 - SACT
 - 31 - SACT
 - 32 - SACT
 - 33 - SACT
 - 34 - SACT
 - 35 - SACT
 - 36 - SACT
 - 37 - SACT
 - 38 - SACT
 - 39 - SACT
 - 40 - SACT
 - 41 - SACT
 - 42 - SACT
 - 43 - SACT
 - 44 - SACT
 - 45 - SACT
 - 46 - SACT
 - 47 - SACT
 - 48 - SACT
 - 49 - SACT
 - 50 - SACT
 - 51 - SACT
 - 52 - SACT
 - 53 - SACT
 - 54 - SACT
 - 55 - SACT
 - 56 - SACT
 - 57 - SACT
 - 58 - SACT
 - 59 - SACT
 - 60 - SACT
 - 61 - SACT
 - 62 - SACT
 - 63 - SACT
 - 64 - SACT
 - 65 - SACT
 - 66 - SACT
 - 67 - SACT
 - 68 - SACT
 - 69 - SACT
 - 70 - SACT
 - 71 - SACT
 - 72 - SACT
 - 73 - SACT
 - 74 - SACT
 - 75 - SACT
 - 76 - SACT
 - 77 - SACT
 - 78 - SACT
 - 79 - SACT
 - 80 - SACT
 - 81 - SACT
 - 82 - SACT
 - 83 - SACT
 - 84 - SACT
 - 85 - SACT
 - 86 - SACT
 - 87 - SACT
 - 88 - SACT
 - 89 - SACT
 - 90 - SACT
 - 91 - SACT
 - 92 - SACT
 - 93 - SACT
 - 94 - SACT
 - 95 - SACT
 - 96 - SACT
 - 97 - SACT
 - 98 - SACT
 - 99 - SACT
 - 100 - SACT
- CONN 2
- 1 - EC
 - 2 - EC
 - 3 - SPARE
 - 4 - SL
 - 5 - SP
 - 6 - XA, B
 - 7 - PF
 - 8 - TP6
 - 9 - SFM
 - 10 - SELECT SW
 - 11 - CLR B
 - 12 - CLR B
 - 13 - CLR B
 - 14 - CLR B
 - 15 - CLR B
 - 16 - CLR B
 - 17 - CLR B
 - 18 - CLR B
 - 19 - CLR B
 - 20 - CLR B
 - 21 - CLR B
 - 22 - CLR B
 - 23 - CLR B
 - 24 - CLR B
 - 25 - CLR B
 - 26 - CLR B
 - 27 - CLR B
 - 28 - CLR B
 - 29 - CLR B
 - 30 - CLR B
 - 31 - CLR B
 - 32 - CLR B
 - 33 - CLR B
 - 34 - CLR B
 - 35 - CLR B
 - 36 - CLR B
 - 37 - CLR B
 - 38 - CLR B
 - 39 - CLR B
 - 40 - CLR B
 - 41 - CLR B
 - 42 - CLR B
 - 43 - CLR B
 - 44 - CLR B
 - 45 - CLR B
 - 46 - CLR B
 - 47 - CLR B
 - 48 - CLR B
 - 49 - CLR B
 - 50 - CLR B
 - 51 - CLR B
 - 52 - CLR B
 - 53 - CLR B
 - 54 - CLR B
 - 55 - CLR B
 - 56 - CLR B
 - 57 - CLR B
 - 58 - CLR B
 - 59 - CLR B
 - 60 - CLR B
 - 61 - CLR B
 - 62 - CLR B
 - 63 - CLR B
 - 64 - CLR B
 - 65 - CLR B
 - 66 - CLR B
 - 67 - CLR B
 - 68 - CLR B
 - 69 - CLR B
 - 70 - CLR B
 - 71 - CLR B
 - 72 - CLR B
 - 73 - CLR B
 - 74 - CLR B
 - 75 - CLR B
 - 76 - CLR B
 - 77 - CLR B
 - 78 - CLR B
 - 79 - CLR B
 - 80 - CLR B
 - 81 - CLR B
 - 82 - CLR B
 - 83 - CLR B
 - 84 - CLR B
 - 85 - CLR B
 - 86 - CLR B
 - 87 - CLR B
 - 88 - CLR B
 - 89 - CLR B
 - 90 - CLR B
 - 91 - CLR B
 - 92 - CLR B
 - 93 - CLR B
 - 94 - CLR B
 - 95 - CLR B
 - 96 - CLR B
 - 97 - CLR B
 - 98 - CLR B
 - 99 - CLR B
 - 100 - CLR B
- CONN 3
- 1 - SLCTR
 - 2 - T.P.
 - 3 - T.P.
 - 4 - T.P.
 - 5 - T.P.
 - 6 - T.P.
 - 7 - T.P.
 - 8 - T.P.
 - 9 - T.P.
 - 10 - T.P.
 - 11 - T.P.
 - 12 - T.P.
 - 13 - T.P.
 - 14 - T.P.
 - 15 - T.P.
 - 16 - T.P.
 - 17 - T.P.
 - 18 - T.P.
 - 19 - T.P.
 - 20 - T.P.
 - 21 - T.P.
 - 22 - T.P.
 - 23 - T.P.
 - 24 - T.P.
 - 25 - T.P.
 - 26 - T.P.
 - 27 - T.P.
 - 28 - T.P.
 - 29 - T.P.
 - 30 - T.P.
 - 31 - T.P.
 - 32 - T.P.
 - 33 - T.P.
 - 34 - T.P.
 - 35 - T.P.
 - 36 - T.P.
 - 37 - T.P.
 - 38 - T.P.
 - 39 - T.P.
 - 40 - T.P.
 - 41 - T.P.
 - 42 - T.P.
 - 43 - T.P.
 - 44 - T.P.
 - 45 - T.P.
 - 46 - T.P.
 - 47 - T.P.
 - 48 - T.P.
 - 49 - T.P.
 - 50 - T.P.
 - 51 - T.P.
 - 52 - T.P.
 - 53 - T.P.
 - 54 - T.P.
 - 55 - T.P.
 - 56 - T.P.
 - 57 - T.P.
 - 58 - T.P.
 - 59 - T.P.
 - 60 - T.P.
 - 61 - T.P.
 - 62 - T.P.
 - 63 - T.P.
 - 64 - T.P.
 - 65 - T.P.
 - 66 - T.P.
 - 67 - T.P.
 - 68 - T.P.
 - 69 - T.P.
 - 70 - T.P.
 - 71 - T.P.
 - 72 - T.P.
 - 73 - T.P.
 - 74 - T.P.
 - 75 - T.P.
 - 76 - T.P.
 - 77 - T.P.
 - 78 - T.P.
 - 79 - T.P.
 - 80 - T.P.
 - 81 - T.P.
 - 82 - T.P.
 - 83 - T.P.
 - 84 - T.P.
 - 85 - T.P.
 - 86 - T.P.
 - 87 - T.P.
 - 88 - T.P.
 - 89 - T.P.
 - 90 - T.P.
 - 91 - T.P.
 - 92 - T.P.
 - 93 - T.P.
 - 94 - T.P.
 - 95 - T.P.
 - 96 - T.P.
 - 97 - T.P.
 - 98 - T.P.
 - 99 - T.P.
 - 100 - T.P.

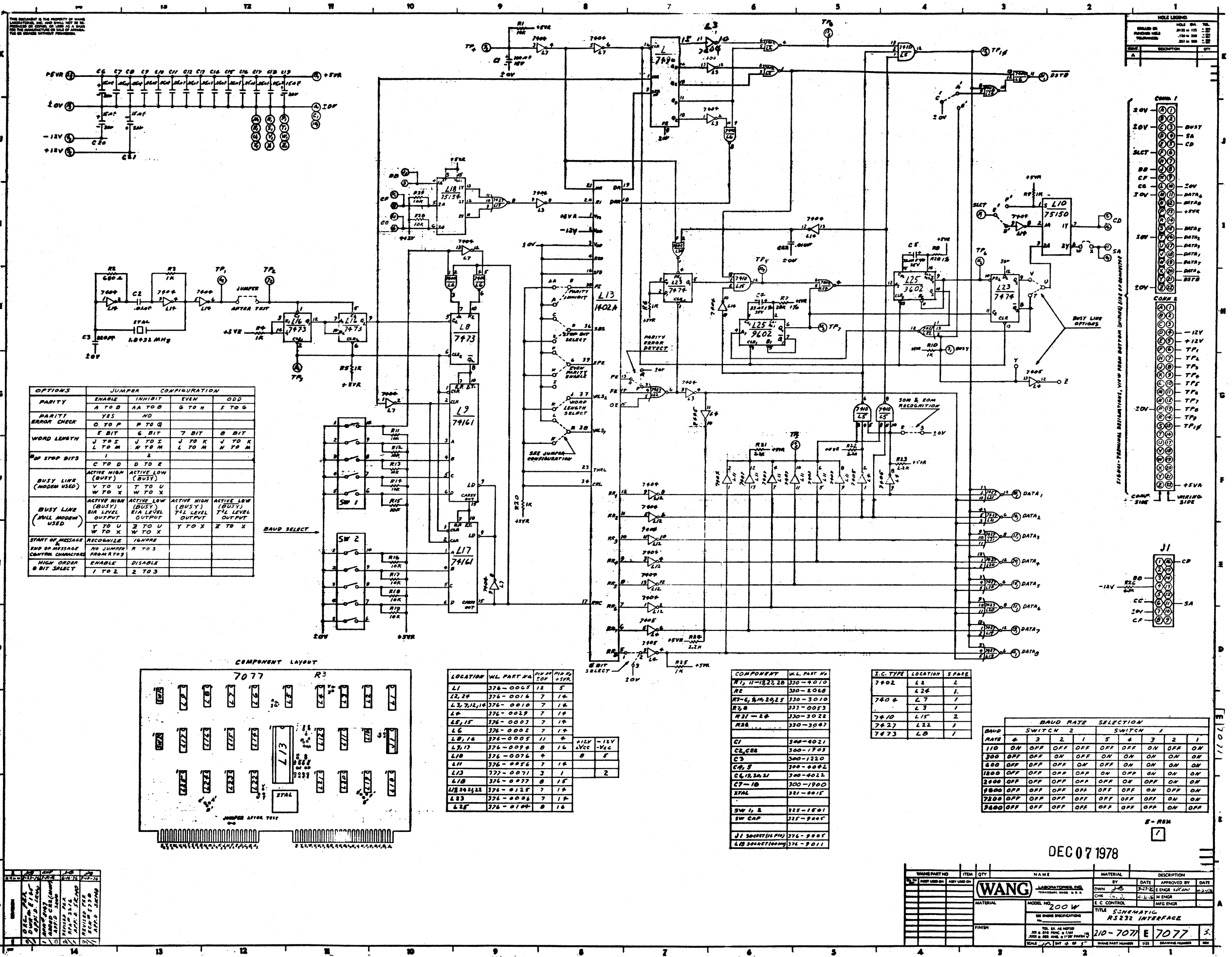


W.L. TYPE	LOCATION	SPARE
7400	L1,2	1
7405	L17	2
7406	L22	1

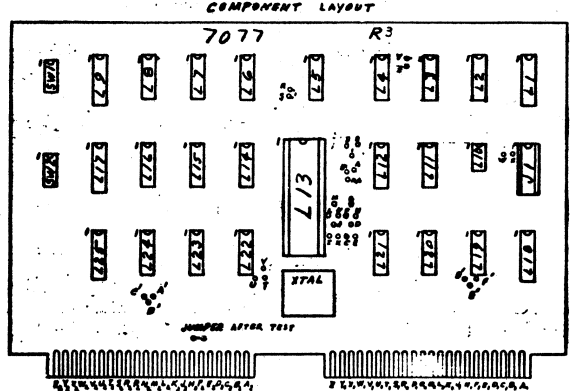
DEC 07 1978

W.L. PART NO.	QTY	REV	DESCRIPTION
7400	1	1	L1,2
7405	2	1	L17
7406	1	1	L22

WARRANTY #	MODEL	COMPONENT	QTY	REV
7076	2221W	C7 825P	300-1820	J
		C21 22K	375-0017	
		C22 22K	375-0017	
		R21 4.7K	330-3047	
		R30 10K	330-4810	
		R31 10K	330-4810	
		R32 10K	330-4810	
		R33 10K	330-4810	
		R34 10K	330-4810	
		R35 10K	330-4810	
		R36 10K	330-4810	
		R37 10K	330-4810	
		R38 10K	330-4810	
		R39 10K	330-4810	
		R40 10K	330-4810	
		R41 10K	330-4810	
		R42 10K	330-4810	
		R43 10K	330-4810	
		R44 10K	330-4810	
		R45 10K	330-4810	
		R46 10K	330-4810	
		R47 10K	330-4810	
		R48 10K	330-4810	
		R49 10K	330-4810	
		R50 10K	330-4810	
		R51 10K	330-4810	
		R52 10K	330-4810	
		R53 10K	330-4810	
		R54 10K	330-4810	
		R55 10K	330-4810	
		R56 10K	330-4810	
		R57 10K	330-4810	
		R58 10K	330-4810	
		R59 10K	330-4810	
		R60 10K	330-4810	
		R61 10K	330-4810	
		R62 10K	330-4810	
		R63 10K	330-4810	
		R64 10K	330-4810	
		R65 10K	330-4810	
		R66 10K	330-4810	
		R67 10K	330-4810	
		R68 10K	330-4810	
		R69 10K	330-4810	
		R70 10K	330-4810	
		R71 10K	330-4810	
		R72 10K	330-4810	
		R73 10K	330-4810	
		R74 10K	330-4810	
		R75 10K	330-4810	
		R76 10K	330-4810	
		R77 10K	330-4810	
		R78 10K	330-4810	
		R79 10K	330-4810	
		R80 10K	330-4810	
		R81 10K	330-4810	
		R82 10K	330-4810	
		R83 10K	330-4810	
		R84		



OPTIONS	JUMPER CONFIGURATION			
PARITY	ENABLE	INHIBIT	EVEN	ODD
PARITY ERROR CHECK	A TO B	AA TO B	G TO H	F TO G
WORD LENGTH	F BIT	G BIT	7 BIT	8 BIT
STOP BITS	1	2		
BUSY LINE (MODEM USED)	ACTIVE HIGH (BUSY)	ACTIVE LOW (BUSY)		
BUSY LINE (NULL MODEM USED)	ACTIVE HIGH (BUSY) VIA LEVEL OUTPUT	ACTIVE LOW (BUSY) VIA LEVEL OUTPUT	ACTIVE HIGH (BUSY) T ₂ LEVEL OUTPUT	ACTIVE LOW (BUSY) T ₂ LEVEL OUTPUT
START OF MESSAGE CONTROL CHARACTER	RECOGNIZE	IGNORE		
HIGH ORDER BIT SELECT	ENABLE	DISABLE		



LOCATION	VAL	PART #	QTY	MIN	MAX
L1	376-0065	12	5		
L2,24	376-0016	7	14		
L3,7,12,18	376-0010	7	14		
L4	376-0029	7	14		
L5,15	376-0007	7	14		
L6	376-0002	7	14		
L8,14	376-0005	11	4		
L9,17	376-0094	8	16	+12V -12V	Vcc -Vcc
L10	376-0074	4			
L11	376-0076	7	14		
L12	376-0071	2	1		2
L13	376-0077	8	16		
L13,24,22	376-0125	7	14		
L23	376-0046	7	14		
L25	376-0104	8	16		

COMPONENT	VAL	PART #
R1, 11-18,23	330-9010	
R2	330-2068	
R3-6, 8, 19, 21, 25	330-3010	
R7, 9	333-0053	
R12-16	330-3022	
R18	330-3047	
C1	300-4021	
C2, C22	300-1703	
C3	300-1220	
C4, 5	300-4042	
C6, 12, 24, 27	300-4022	
C7-10	300-1900	
XTAL	321-0015	
SW 1, 2	325-1501	
SW CAP	325-2005	
J1 SOCKET (16 PIN)	376-9005	
L13 SOCKET (60 PIN)	376-9011	

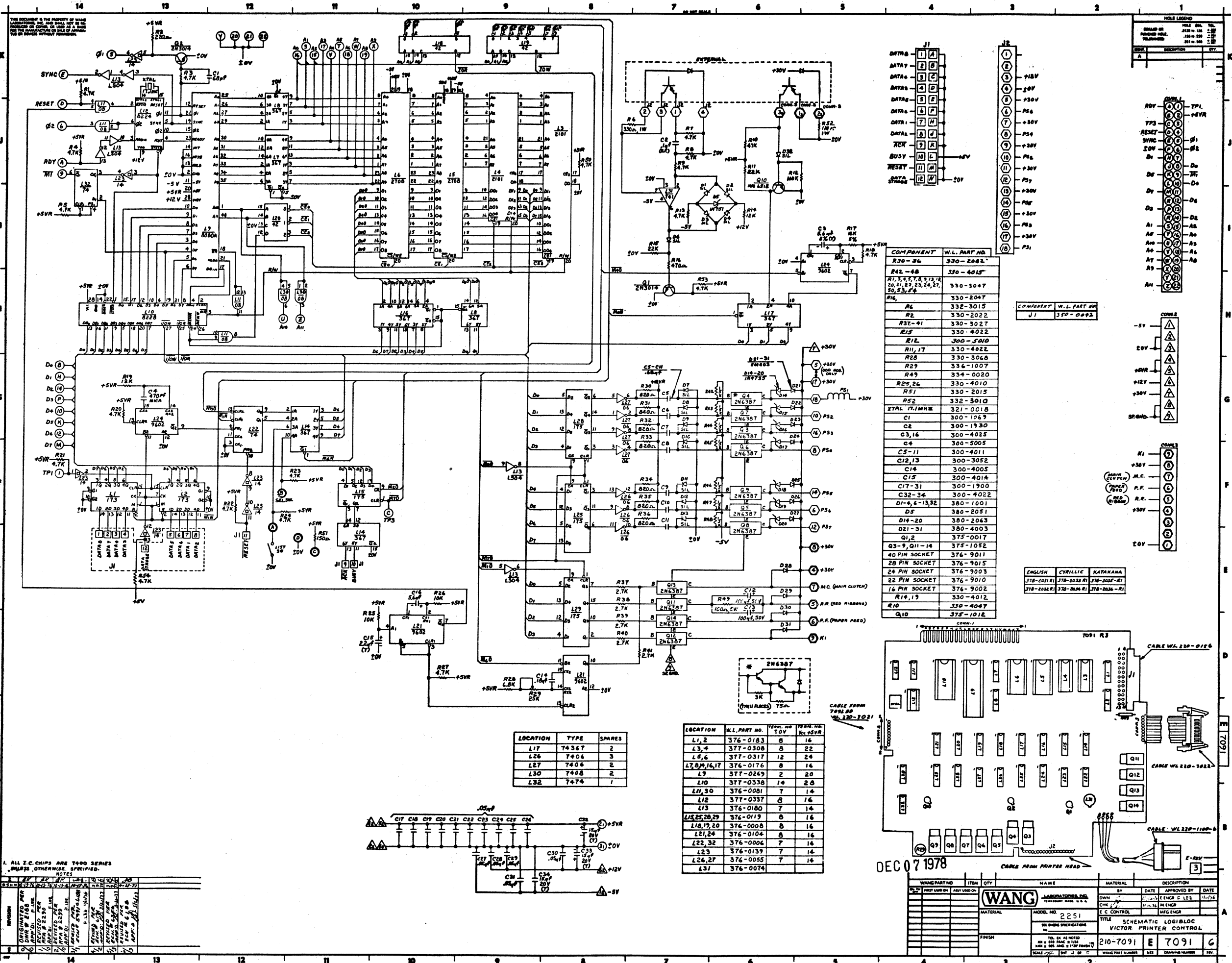
I.C. TYPE	LOCATION	SPARE
7402	L2	2
7404	L24	1
7410	L15	2
7427	L22	1
7473	L8	1

BAUD RATE	SWITCH 2								SWITCH 1							
	4	3	2	1	5	4	3	2	1	4	3	2	1			
110	ON	OFF	OFF	OFF	OFF	OFF	ON	OFF	ON	OFF	ON	OFF	ON			
300	OFF	OFF	ON	OFF	ON	ON	ON	ON	ON	ON	ON	ON	ON			
600	OFF	OFF	ON	OFF	ON	ON	ON	ON	ON	ON	ON	ON	ON			
1200	OFF	OFF	OFF	OFF	ON	ON	ON	ON	ON	ON	ON	ON	ON			
2400	OFF	OFF	OFF	OFF	OFF	ON	ON	ON	ON	ON	ON	ON	ON			
4800	OFF	OFF	OFF	OFF	OFF	OFF	ON	ON	ON	ON	ON	ON	ON			
9600	OFF	OFF	OFF	OFF	OFF	OFF	OFF	ON	ON	ON	ON	ON	ON			
19200	OFF	OFF	OFF	OFF	OFF	OFF	OFF	OFF	ON	ON	ON	ON	ON			

DEC 07 1978

WANG PART NO.	ITEM	QTY	NAME	MATERIAL	DESCRIPTION
210-7077	1	1	RS232 INTERFACE		

REV	DATE	BY	DESCRIPTION
1	7-27-78	E. C. CONTROL	INITIAL DESIGN
2	10-10-78	E. C. CONTROL	REVISED PER MFG. COMMENTS
3	10-10-78	E. C. CONTROL	REVISED PER MFG. COMMENTS



THIS DOCUMENT IS THE PROPERTY OF WANG LABORATORIES, INC. AND SHALL NOT BE REPRODUCED OR TRANSMITTED IN ANY FORM OR BY ANY MEANS, ELECTRONIC OR MECHANICAL, INCLUDING PHOTOCOPYING, RECORDING, OR BY ANY INFORMATION STORAGE AND RETRIEVAL SYSTEM, WITHOUT PERMISSION.

1. ALL I.C. CHIPS ARE 7400 SERIES UNLESS OTHERWISE SPECIFIED.

REV.	DATE	BY	DESCRIPTION
0			INITIAL DESIGN
1			REVISED FOR...
2			REVISED FOR...
3			REVISED FOR...
4			REVISED FOR...
5			REVISED FOR...
6			REVISED FOR...
7			REVISED FOR...
8			REVISED FOR...
9			REVISED FOR...
10			REVISED FOR...
11			REVISED FOR...
12			REVISED FOR...
13			REVISED FOR...
14			REVISED FOR...

REV.	DATE	BY	DESCRIPTION
0			INITIAL DESIGN
1			REVISED FOR...
2			REVISED FOR...
3			REVISED FOR...
4			REVISED FOR...
5			REVISED FOR...
6			REVISED FOR...
7			REVISED FOR...
8			REVISED FOR...
9			REVISED FOR...
10			REVISED FOR...
11			REVISED FOR...
12			REVISED FOR...
13			REVISED FOR...
14			REVISED FOR...

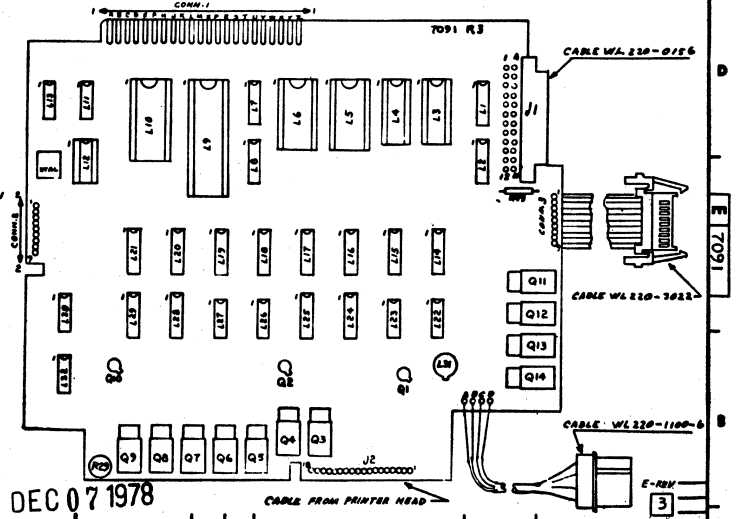
COMPONENT	W.L. PART NO.
R30-36	330-2082
R42-48	330-4015
R1, 5, 6, 7, 8, 9, 13, 18, 20, 21, 22, 23, 24, 27, 29, 30, 31, 32	330-3047
R16	330-2047
R2	332-3015
R2	330-2022
R31-31	330-3022
R15	330-4022
R12	300-5100
R11, 17	330-4022
R28	330-3068
R29	336-1007
R49	334-0020
R25, 26	330-4010
R51	330-2015
R52	332-3010
XTAL P1MMH	321-0018
C1	300-1069
C2	300-1930
C3, 16	300-4025
C4	300-5005
C5-11	300-4011
C12, 13	300-3052
C14	300-4005
C15	300-4014
C17-31	300-1900
C32-34	300-4022
D1-6, 13, 32	380-1001
D5	380-2051
D14-20	380-2063
D21-31	380-4003
Q1, 2	375-0017
Q3-9, Q11-14	375-1052
40 PIN SOCKET	376-9011
28 PIN SOCKET	376-9015
24 PIN SOCKET	376-9003
22 PIN SOCKET	376-9010
16 PIN SOCKET	376-9002
R14, 19	330-4012
R10	330-4067
Q10	375-1012

COMPONENT	W.L. PART NO.
J1	359-0093

ENGLISH	CYRILLIC	KATAKANA
376-2031 R1	376-2033 R1	376-2035 R1
376-2031 R1	376-2033 R1	376-2035 R1

LOCATION	TYPE	SPARES
L17	74367	3
L26	7404	2
L27	7404	2
L30	7408	2
L32	7474	1

LOCATION	W.L. PART NO.	FORM. NO.	FORM. NO.
L1, 2	376-0183	8	16
L3, 4	377-0308	8	22
L5, 6	377-0317	12	24
L7, 8, 16, 17	376-0176	8	16
L9	377-0249	2	20
L10	377-0330	14	28
L11, 30	376-0081	7	14
L12	377-0337	8	16
L13	376-0180	7	14
L15, 25, 29, 29	376-0119	8	16
L18, 19, 20	376-0008	8	16
L21, 24	376-0104	8	16
L22, 32	376-0006	7	14
L23	376-0139	7	14
L26, 27	376-0055	7	14
L31	376-0074		

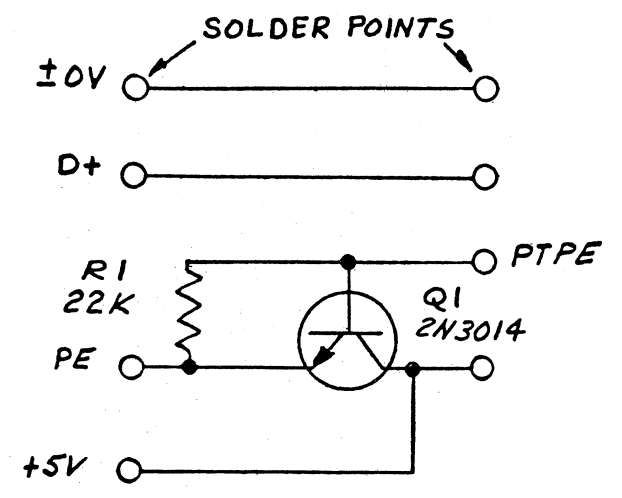


WANG PART NO.	ITEM	QTY.	NAME	MATERIAL	DESCRIPTION
210-7091	1	1	SCHEMATIC LOGIBLOC		
210-7091	2	1	VICTOR PRINTER CONTROL		

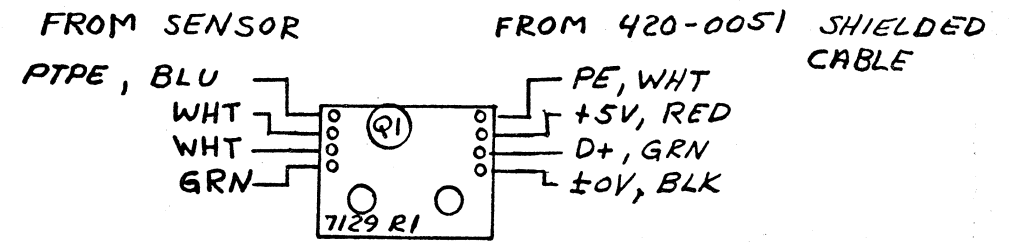
6 5 4 3 2 1

DO NOT SCALE

HOLE LEGEND		
DRILLED OR PUNCHED HOLE	HOLE DIA.	TOL.
	.0135 to .125	+ .003 - .001
	.126 to .250	+ .004 - .001
	.251 to .500	+ .005 - .001
IDENT.	DESCRIPTION	QTY
A		



COMPONENT	WL PT. NO.
Q1	375-0017
R1	330-4022



WANG 081913 E. REV.

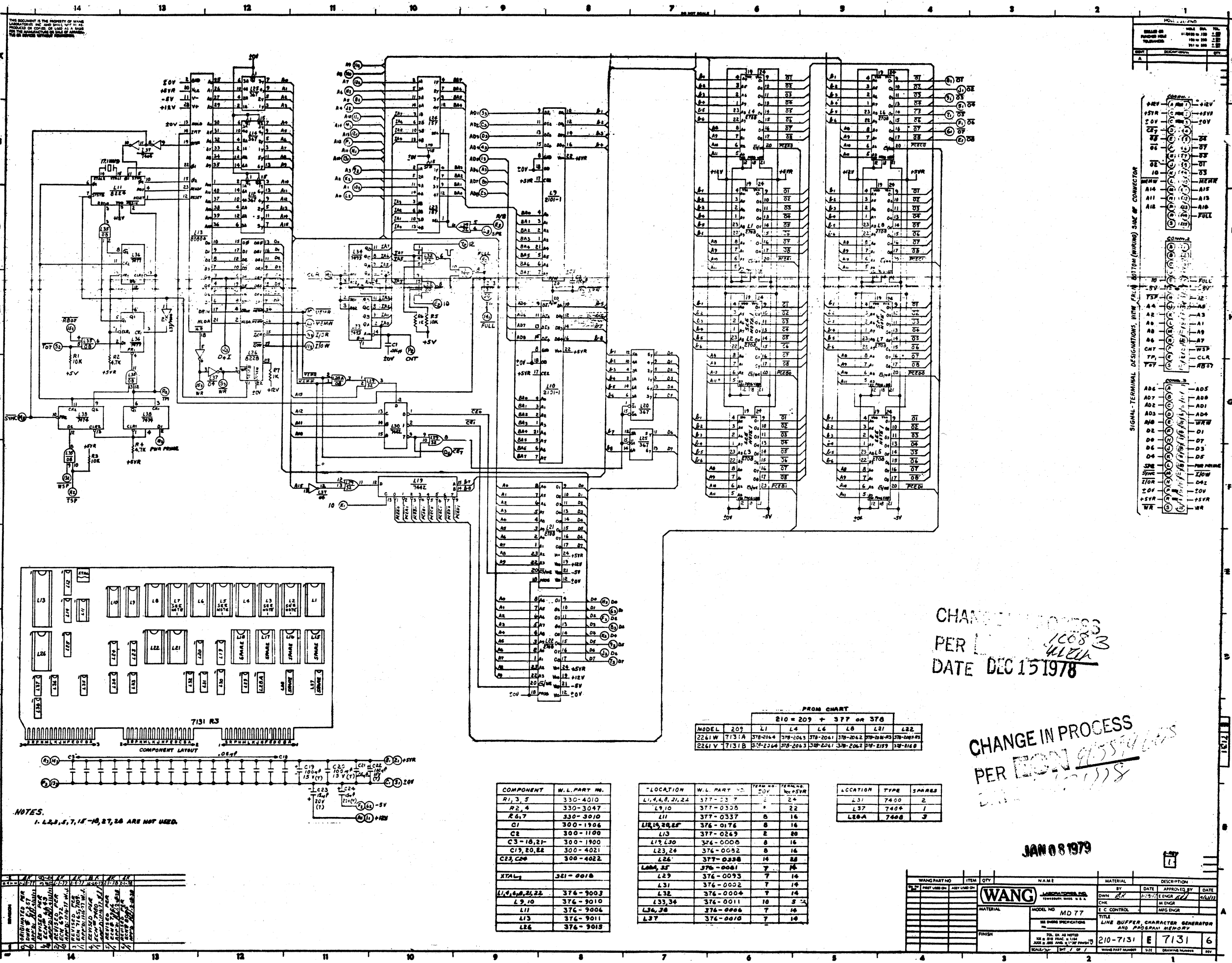
BY	EBA	EBA
D < T < W	3-1-77	5-5-77
REVISION	ORIGINATED PER DWR # 304 APP'D: [Signature] 3-8-77	REVISED PER ECN # 6699 APP'D: [Signature] 5/23/77
NO.	0	1/0

WANG PART NO.	ITEM	QTY.	NAME	MATERIAL	DESCRIPTION
			WANG LABORATORIES, INC. TEWKSBURY, MASS. U. S. A.		
			MATERIAL	MODEL NO. 77 (226110)	
				SEE ENGRG SPECIFICATIONS No. _____	
			FINISH	TOL. EX. AS NOTED .XX ± .010 FRAC. ± 1/64 .XXX ± .005 ANG. ± 1° 30' FINISH 128	
			SCALE 7/8	SHT 4 OF 5	
			210-7129	B	7129
			WANG PART NUMBER	SIZE	DRAWING NUMBER
					REV.

D
C
B
A

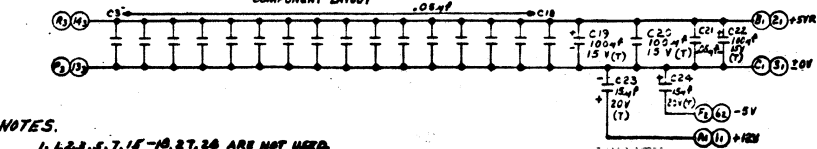
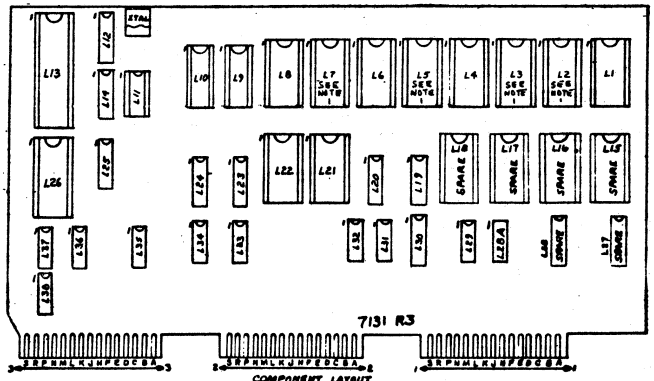
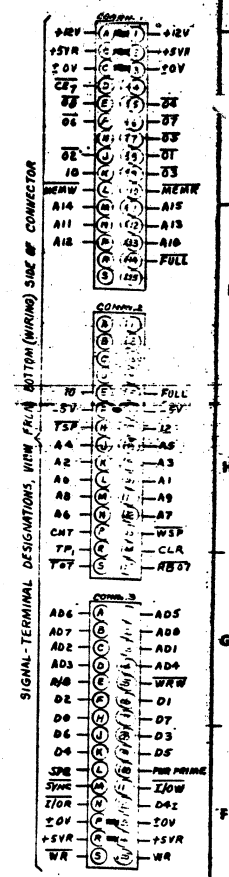
D
B
B
A

6 5 4 3 2 1



THIS DOCUMENT IS THE PROPERTY OF WANG
 LABORATORIES, INC. AND SHALL NOT BE
 REPRODUCED OR TRANSMITTED IN ANY
 FORM OR BY ANY MEANS, ELECTRONIC
 OR MECHANICAL, INCLUDING PHOTOCOPYING,
 RECORDING, OR BY ANY INFORMATION
 STORAGE AND RETRIEVAL SYSTEM.

REV	DATE	BY	DESCRIPTION
1	11/15/78	WJL	ISSUE FOR FAB
2	11/15/78	WJL	ISSUE FOR TEST
3	11/15/78	WJL	ISSUE FOR WIRING



NOTES:
 1. L23, 5, 7, 15, 27, 28 ARE NOT USED.

REV	DATE	BY	DESCRIPTION
1	11/15/78	WJL	ISSUE FOR FAB
2	11/15/78	WJL	ISSUE FOR TEST
3	11/15/78	WJL	ISSUE FOR WIRING

FROM CHART

MODEL	209	210 = 209 + 377 on 378
2261W	7131A	376-2064 376-2063 376-2061 376-2062 376-2063 376-2064
2261V	7131B	376-2064 376-2063 376-2061 376-2062 376-2063 376-2064

COMPONENT	W.L. PART NO.
R1, 3, 5	330-4010
R2, 4	330-3047
R6, 7	330-3010
C1	300-1906
C2	300-1100
C3-18, 21	300-1900
C19, 20, 22	300-4021
C23, C24	300-4022
XTAL	321-0010
L1, 4, 6, 8, 21, 22	376-9003
L9, 10	376-9010
L11	376-9006
L13	376-9011
L26	376-9018

LOCATION	W.L. PART NO.	TEAM NO.	TERMINAL
L1, 4, 6, 8, 21, 22	377-0377	2	2+
L9, 10	377-0308	6	22
L11	377-0337	6	16
L16, 20, 27	376-0176	8	16
L13	377-0269	8	20
L19, L30	376-0008	8	16
L23, 24	376-0082	8	16
L26	377-0338	14	28
L28, 29	376-0081	7	16
L29	376-0093	7	16
L31	376-0002	7	16
L32	376-0004	7	16
L33, 34	376-0011	10	3, 24
L36, 38	376-0006	7	16
L37	376-0010	7	16

LOCATION	TYPE	SPARES
L31	7400	2
L37	7404	1
L28-A	7408	3

CHANGE IN PROCESS
 PER *10083*
 DATE DEC 15 1978

CHANGE IN PROCESS
 PER *915574*
 DATE *11/15/78*

JAN 08 1979

WANG PART NO.	ITEM	QTY	NAME	MATERIAL	DATE	DESCRIPTION
210-7131	E	6	7131			

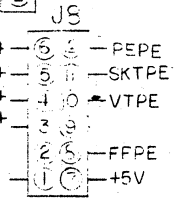
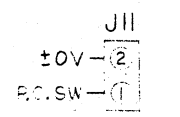
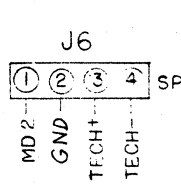
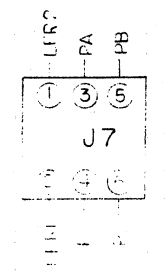
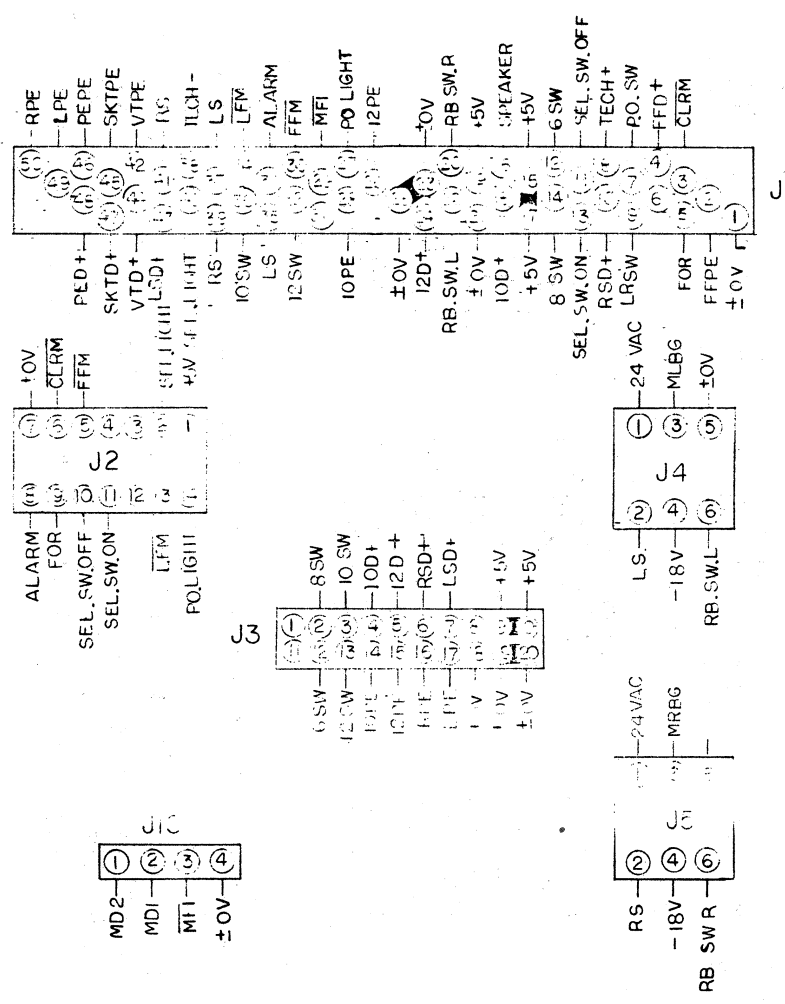
THE INFORMATION CONTAINED IN THIS DRAWING IS THE PROPERTY OF WANG LABORATORIES, INC. AND IS CONFIDENTIAL AND PROPRIETARY TO WANG LABORATORIES, INC. IT MAY NOT BE COPIED, REPRODUCED OR USED IN WHOLE OR IN PART FOR ANY REASON.

MILLIMETERS IN PARENTHESIS. TOLERANCES TO BE EQUIVALENT TO INCH DIMENSIONS.

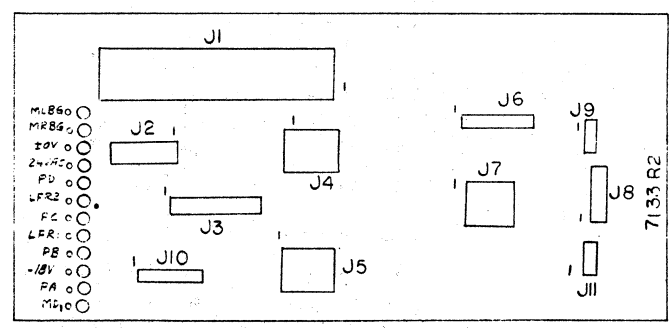
HOLE LEGEND & TOLERANCES		
HOLE DIA	TOLERANCE	
.015 - .125	+ .002 - .001	
.125 - .250	+ .004 - .001	
.251 - .500	+ .005 - .001	
SYM	DESCRIPTION	QTY.
A		

SCHEM. POINTS

- (BRN) MLB6
- (GRN) MRB6
- (BLK) GND
- (YEL) 24VAC
- (RED) +5V
- (WH) LFR2
- (WH/RED) FC
- (BLK) LFR1
- (GRN) PB
- (A-3RN) PA
- (A-3RN) PB



COMPONENTS	W.L. PT. NO.
J1	350-04058
J2	376-9012
J3	654-008
J4,5,7	654-1186
J6,10	654-1194
J8	654-0113
J9,11	654-1198



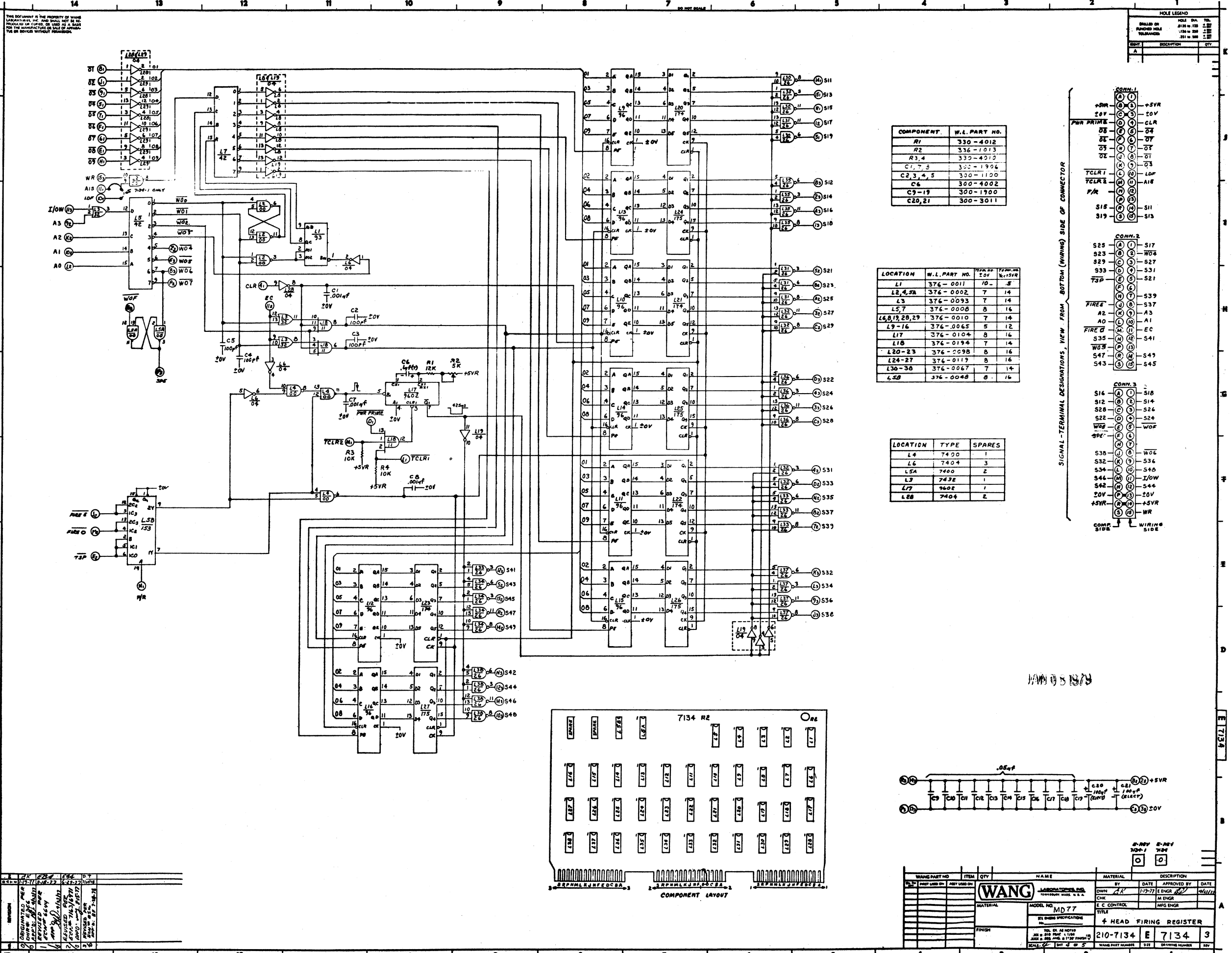
08 1979

E. REV 1

NO.	REVISION
0	ORIGINATED PER DWG# ER38 AND APP'D 10/16/77
1	REVISED PER REVISED GAPP 10/16/77
2	REVISED PER 10/16/77
3	REVISED PER 10/16/77
4	REVISED PER 10/16/77

QTY.	ITEM	WANG PART NO.	DRAWING NO.	DESCRIPTION
	NEXT ASSY.	WANG LABORATORIES, INC. TEMPERBURY MASS. U.S.A.		
	MATERIAL	MODEL NO. 77		
	FINISH	SEE ENGRG SPECIFICATIONS		
		TOL. EX. AS NOTED		
		XX ± FRAC ±		
		XXX ± ANG ± FINISH		
		SCALE 2:1	SHT 4 OF 5	
		WANG PART NUMBER	SIZE	WORKING NUMBER
		210-7133	D	7133
				1

7133



HOLE LEGEND

HOLE NO.	DIA.	TOL.
210-110	1.25	±.01
120-100	1.25	±.01
120-100	1.25	±.01

COMPONENT W.L. PART NO.

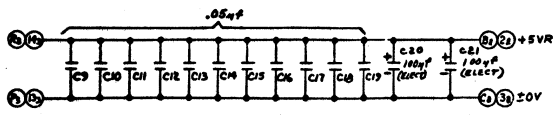
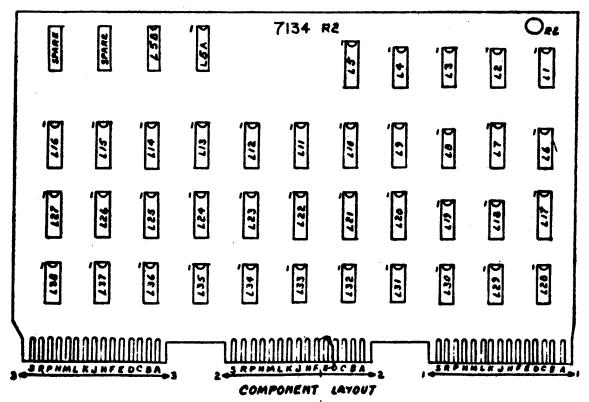
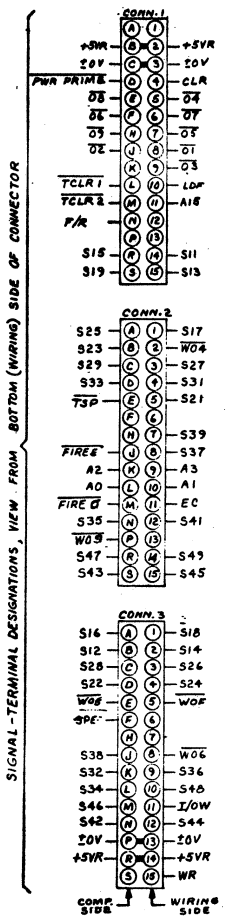
R1	330-4012
R2	330-1013
R3,4	330-4010
CT, T, S	300-1906
C2, 3, 4, 5	300-1100
C6	300-4002
C9-19	300-1900
C20, 21	300-3011

LOCATION W.L. PART NO. QTY. TYP. W.L. PART NO. QTY. TYP.

L1	376-0011	10	3
L2, 4, 5A	376-0002	7	14
L3	376-0093	7	14
L5, 7	376-0008	8	16
L6, 8, 19, 20, 29	376-0010	7	14
L9-16	376-0065	5	12
L17	376-0104	8	16
L18	376-0194	7	14
L20-23	376-0098	8	16
L24-27	376-0117	8	16
L30-36	376-0067	7	14
L38	376-0048	8	16

LOCATION TYPE SPARES

L4	7400	1
L6	7404	3
L5A	7400	2
L7	743E	1
L77	960E	1
L88	7404	2



REVISIONS

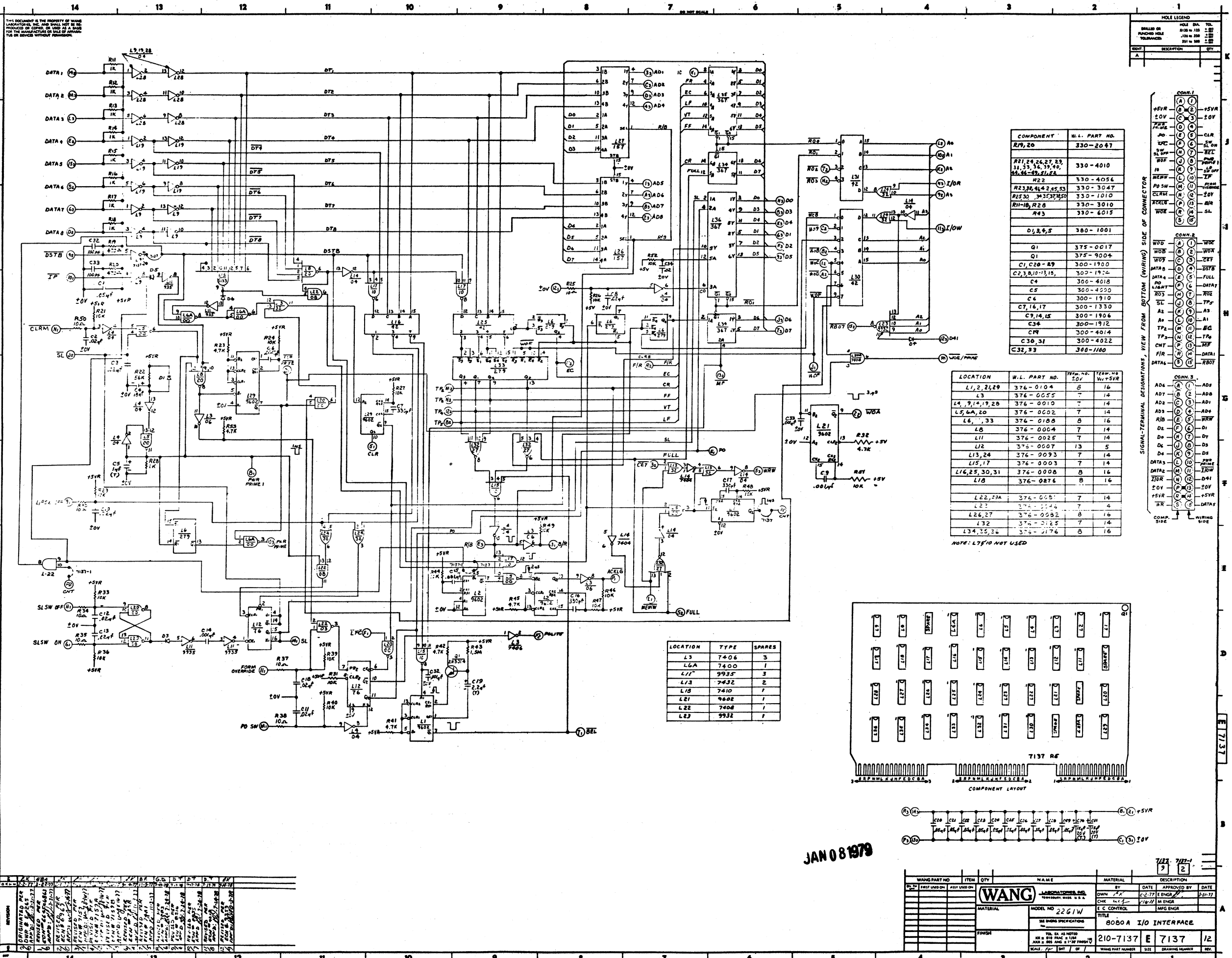
NO.	DATE	DESCRIPTION
1	11-17-77	INITIAL DESIGN
2	11-17-77	REVISED TO ADD HEAD FIRING REGISTER
3	11-17-77	REVISED TO ADD HEAD FIRING REGISTER
4	11-17-77	REVISED TO ADD HEAD FIRING REGISTER
5	11-17-77	REVISED TO ADD HEAD FIRING REGISTER
6	11-17-77	REVISED TO ADD HEAD FIRING REGISTER
7	11-17-77	REVISED TO ADD HEAD FIRING REGISTER
8	11-17-77	REVISED TO ADD HEAD FIRING REGISTER
9	11-17-77	REVISED TO ADD HEAD FIRING REGISTER
10	11-17-77	REVISED TO ADD HEAD FIRING REGISTER

WANG LABORATORIES, INC.

4 HEAD FIRING REGISTER

210-7134 E 7134 3

WANG PART NUMBER: 7134 3



HOLE LEGEND

DRILL OR PUNCH HOLE	HOLE DIA.	TOL.
1/8" DIA.	.125	±.005
1/16" DIA.	.0625	±.002
3/32" DIA.	.09375	±.002

COMPONENT

COMPONENT	W.L. PART NO.
R19, 20	330-2047
R21, 24, 26, 27, 29, 31, 33, 34, 39, 40, 44, 46-49, 51, 52	330-4010
R22	330-4054
R23, 36, 41, 42, 45, 53	330-3047
R25, 30, 34, 35, 37, 43, 50	330-1010
R11-18, R28	330-3010
R43	330-6013
D1, 3, 4, 5	380-1001
Q1	375-0017
Q1	375-9004
C1, C20-29	300-1900
C2, 3, 8, 10-13, 18	300-1924
C4	300-4018
C5	300-4200
C6	300-1910
C7, 16, 17	300-1330
C9, 14, 15	300-1906
C34	300-1912
C19	300-4014
C30, 31	300-4022
C32, 33	380-1100

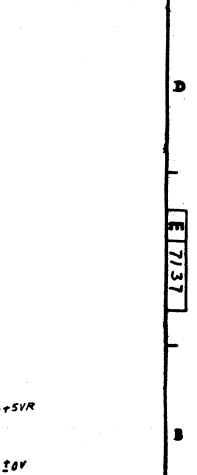
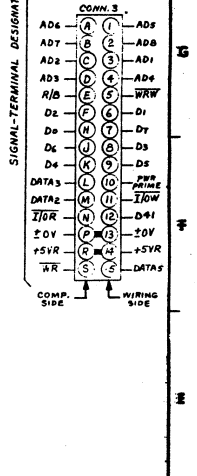
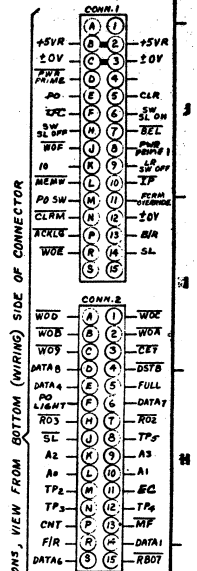
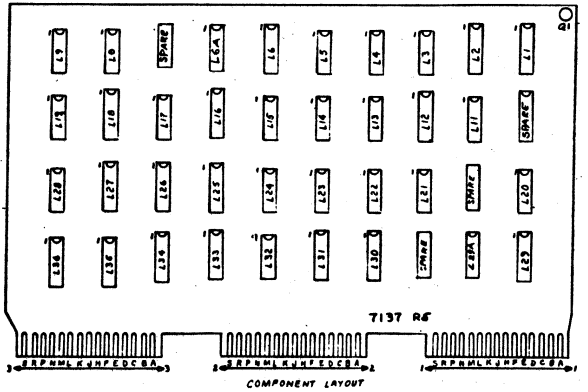
LOCATION

LOCATION	W.L. PART NO.	TEMP. NO.	TEMP. NO.
L1, 2, 21, 29	376-0104	8	16
L3	376-0055	7	14
L4, 9, 14, 19, 28	376-0010	7	14
L5, 6A, 20	376-0002	7	14
L6, 11, 33	376-0108	8	16
L8	376-0004	7	14
L11	376-0025	7	14
L12	376-0007	13	5
L13, 24	376-0093	7	14
L15, 17	376-0003	7	14
L16, 25, 30, 31	376-0008	8	16
L18	376-0876	8	16
L22, 33A	376-0051	7	14
L23	376-0044	7	4
L26, 27	376-0082	8	16
L32	376-0125	7	14
L34, 35, 36	376-0176	8	16

NOTE: L7, 10 NOT USED

LOCATION

LOCATION	TYPE	SPARES
L3	7406	3
L6A	7400	1
L7	9935	3
L13	7432	2
L18	7410	1
L21	9602	1
L22	7408	1
L23	9932	1



JAN 08 1979

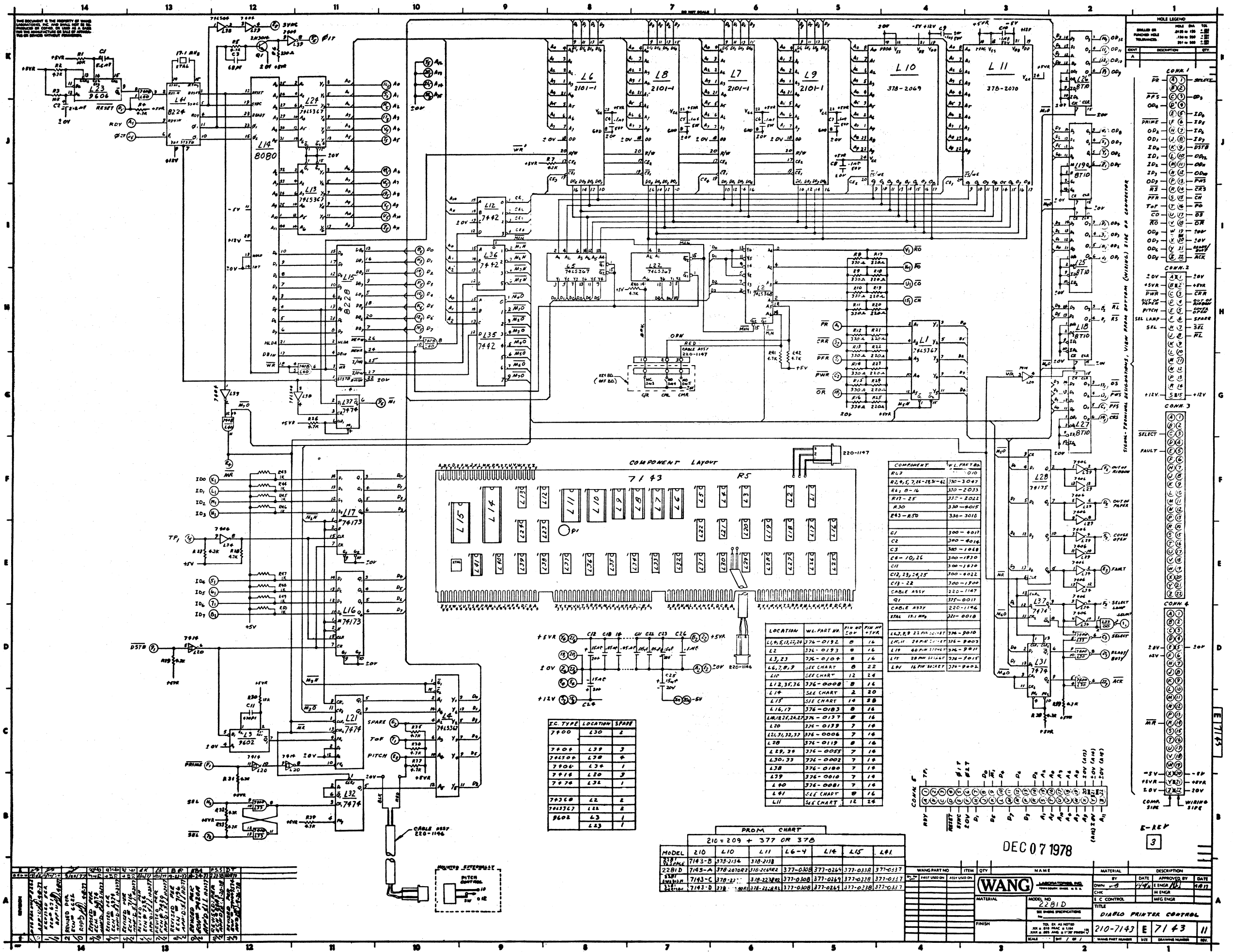
WANG PART NO.	ITEM	QTY	NAME	MATERIAL	DESCRIPTION
2261W			WANG LABORATORIES, INC. MODEL NO. 2261W		8080 A I/O INTERFACE
			SEE DRAWING SPECIFICATIONS		
			FINISH		

DATE: 2-27-77
BY: [Signature]
CHECKED: [Signature]
E.C. CONTROL: [Signature]
MFG ENGR: [Signature]

TITLE: 8080 A I/O INTERFACE
PART NO: 210-7137
DRAWING NO: E 7137
REV: 12

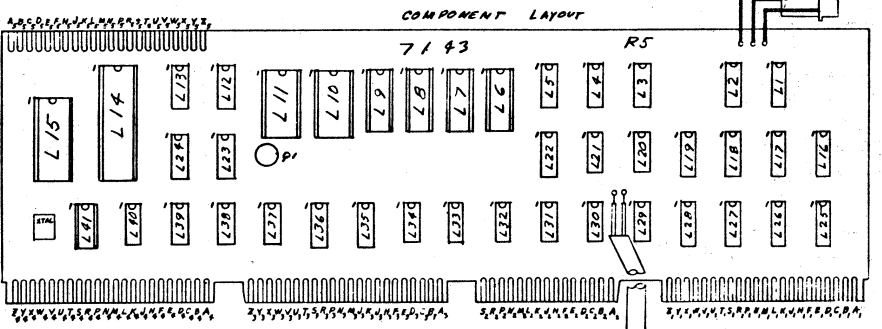
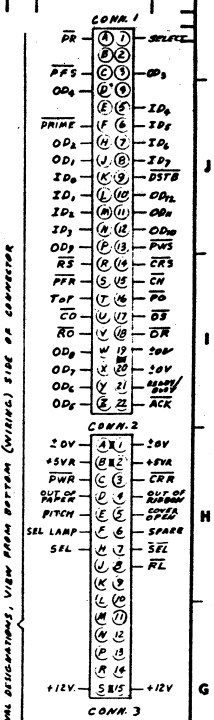
REVISIONS

NO.	DATE	DESCRIPTION
1	12-15-77	REVISED PER [Signature]
2	12-15-77	REVISED PER [Signature]
3	12-15-77	REVISED PER [Signature]
4	12-15-77	REVISED PER [Signature]
5	12-15-77	REVISED PER [Signature]
6	12-15-77	REVISED PER [Signature]
7	12-15-77	REVISED PER [Signature]
8	12-15-77	REVISED PER [Signature]
9	12-15-77	REVISED PER [Signature]
10	12-15-77	REVISED PER [Signature]
11	12-15-77	REVISED PER [Signature]
12	12-15-77	REVISED PER [Signature]
13	12-15-77	REVISED PER [Signature]
14	12-15-77	REVISED PER [Signature]



THIS DOCUMENT IS THE PROPERTY OF WANG LABORATORIES, INC. AND SHALL NOT BE REPRODUCED OR TRANSMITTED IN ANY FORM OR BY ANY MEANS, ELECTRONIC OR MECHANICAL, INCLUDING PHOTOCOPYING, RECORDING, OR BY ANY INFORMATION STORAGE AND RETRIEVAL SYSTEM.

SYMBOL	DESCRIPTION	QTY
...



COMPONENT	W.L. PART NO.
L6, L7, L8, L9, L10, L11	376-0192
L12, L13, L14, L15, L16, L17, L18, L19, L20, L21, L22, L23, L24, L25, L26, L27, L28, L29, L30, L31, L32, L33, L34, L35, L36, L37, L38, L39, L40, L41, L42, L43, L44, L45, L46, L47, L48, L49, L50, L51, L52, L53, L54, L55, L56, L57, L58, L59, L60, L61, L62, L63, L64, L65, L66, L67, L68, L69, L70, L71, L72, L73, L74, L75, L76, L77, L78, L79, L80, L81, L82, L83, L84, L85, L86, L87, L88, L89, L90, L91, L92, L93, L94, L95, L96, L97, L98, L99, L100	...

IC TYPE	LOCATION	SPARE
7900	L30	2
7901	L39	3
7903	L38	4
7904	L36	1
7916	L20	3
7976	L32	1
7936	L22	2
7913	L22	2
9602	L3	1
	L33	1

PROM CHART							
210 = 209 + 377 OR 378							
MODEL	210	L10	L11	L6-4	L14	L15	L41
2201D	7143-B	378-2134	378-2138	377-0308	377-0264	377-0338	377-0317
2201D	7143-A	378-2670R2	378-2670R2	377-0308	377-0264	377-0338	377-0317
2201D	7143-C	378-2777	378-2777	377-0308	377-0264	377-0338	377-0317
2201D	7143-D	378-2777	378-2777	377-0308	377-0264	377-0338	377-0317

DEC 07 1978



WANG PART NO.	ITEM	QTY	NAME	MATERIAL	DATE	APPROVED BY	DATE
...

REV.	DESCRIPTION	DATE	BY
1
2
3
4
5
6
7
8
9
10
11
12
13
14

MODEL NO. 2201D
TITLE: DIABLO PRINTER CONTROL
E 7143 11

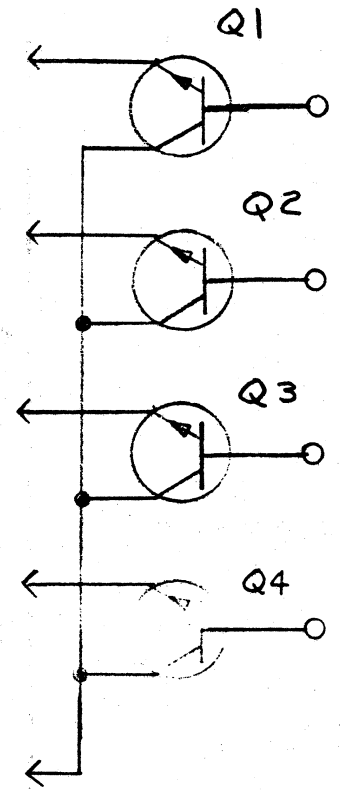
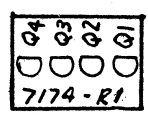
6 5 4 3 2 1

DO NOT SCALE

ASSM.	COMP	PT. NO.
210-7174	Q1, 2, 3, 4	375-2014
210-7174-3	Q1, 2, 4	375-2014
210-7174-2	Q1, 2	375-2014

MODEL NO. 77	MODEL NO. 72	MODEL NO. 61, 62
PC BOARD	PC BOARD	PC BOARD
210-7174	210-7174-3	210-7174-2
HARNESS	HARNESS 270-3053	HARNESS 270-3062
SIGNAL NAME & WIRE COLOR		
FFPE YELLOW	FFPE YELLOW	FFS YELLOW
VTPE BLUE	VTPE BLUE	VTS BLUE
PEPE GRAY	PEPE GRAY	NOT USED Q3 NOT LOADED
SKTPE BROWN	NOT USED Q4 NOT LOADED	NOT USED Q5 NOT LOADED
+5 VOLTS RED	+5 VOLTS RED	+5 VOLTS RED

HOLE LEGEND		
DRILLED OR PUNCHED HOLE	HOLE DIA.	TOL.
	.0135 to .125	+ .003 - .001
	.126 to .250	+ .004 - .001
	.251 to .500	+ .005 - .001
IDENT.	DESCRIPTION	QTY.
A		



CHANNEL 7
TOP OF FORM

CHANNEL 5
VERTICAL TAB

CHANNEL 2
END OF DOCUMENT

CHANNEL

JAN 08 1979

E. REV.

0

BY	DATE	REVISION
EBA	4-13-77	0
FSS	2-27-78	1

ORIGINATED PER PWR#5303
APP'D: [Signature] 5/17/77
REVISED PER ECN#8006
APP'D: [Signature] 3-3-78

WANG PART NO.	ITEM	QTY.	NAME	MATERIAL	DESCRIPTION
			WANG		
			LABORATORIES, INC. TEWKSBURY, MASS. U. S. A.		
			MODEL NO. 77 (2261W)		
			SEE ENGRG SPECIFICATIONS No. _____		
			FINISH TOL. EX. AS NOTED .XX ± .010 FRAC. ± 1/64 .XXX ± .005 ANG. ± 1°30' FINISH ^{12B} ✓		
			SCALE 7/8	SHT 1 OF 1	
			210-7174	B	7174
			WANG PART NUMBER	SIZE	DRAWING NUMBER
					REV.

D

C

B

A

D

B

B

A

6 5 4 3 2 1

6

5

4

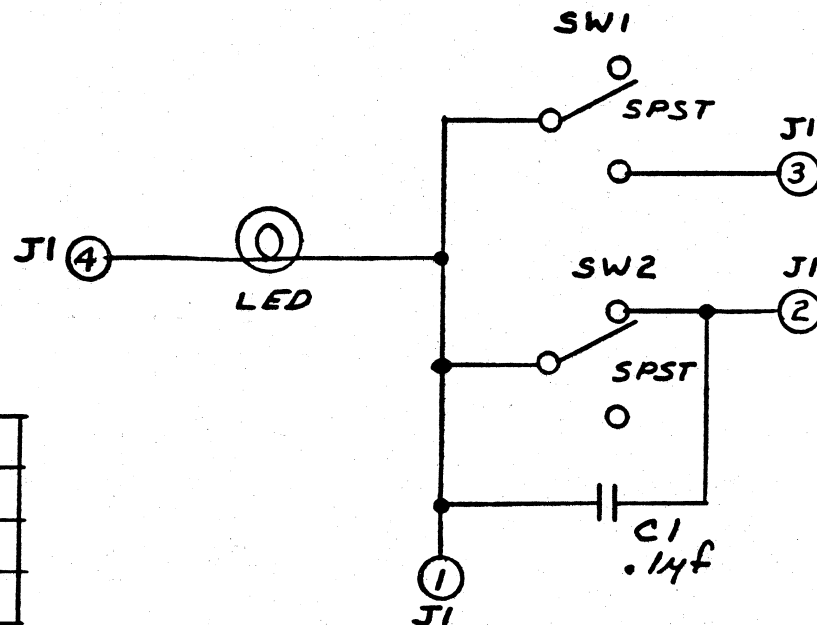
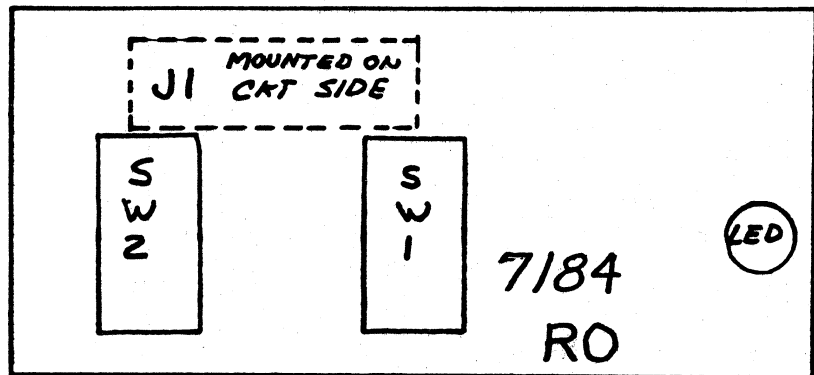
DO NOT SCALE

3

2

1

HOLE LEGEND		
DRILLED OR PUNCHED HOLE TOLERANCES:	HOLE DIA.	TOL.
	.0135 to .125	+ .003 - .001
	.126 to .250	+ .004 - .001
	.251 to .500	+ .005 - .001
IDENT.	DESCRIPTION	QTY.
A		



COMPONENTS LIST	
LED	370-0026
J1	654-1194
C1	300-1930
SW1,2	325-0031

DEC 07 1978

E-REV

0

BY	EBA
DATE	11-12-76
REVISION	DRAWN PER DWR #E243 APP'D: S. L. 11/23/76
	NO. 0/10

QTY. Per Unit	WANG PART NO.	ITEM	QTY.	NAME	MATERIAL	DESCRIPTION			
				WANG	LABORATORIES, INC. TEWKSBURY, MASS. U. S. A.	BY	DATE	APPROVED BY	DATE
						DWN EBA	11-12-76	E ENGR	
						CHK AD	11/22/76	M ENGR	
						E. C. CONTROL		MFG ENGR D.L.	11/23/76
						TITLE			
						FRONT PANEL SWITCH BD			
						210-7184	B	7184	0
						WANG PART NUMBER	SIZE	DRAWING NUMBER	REV.

WANG

LABORATORIES, INC.
TEWKSBURY, MASS. U. S. A.

MODEL NO.
2251

SEE ENGRG SPECIFICATIONS
No. _____

TOL. EX. AS NOTED
.XX ± .010 FRAC. ± 1/64
.XXX ± .005 ANG. ± 1°30' FINISH ✓

SCALE 7/8 SHT 4 OF 5

210-7184

B

7184

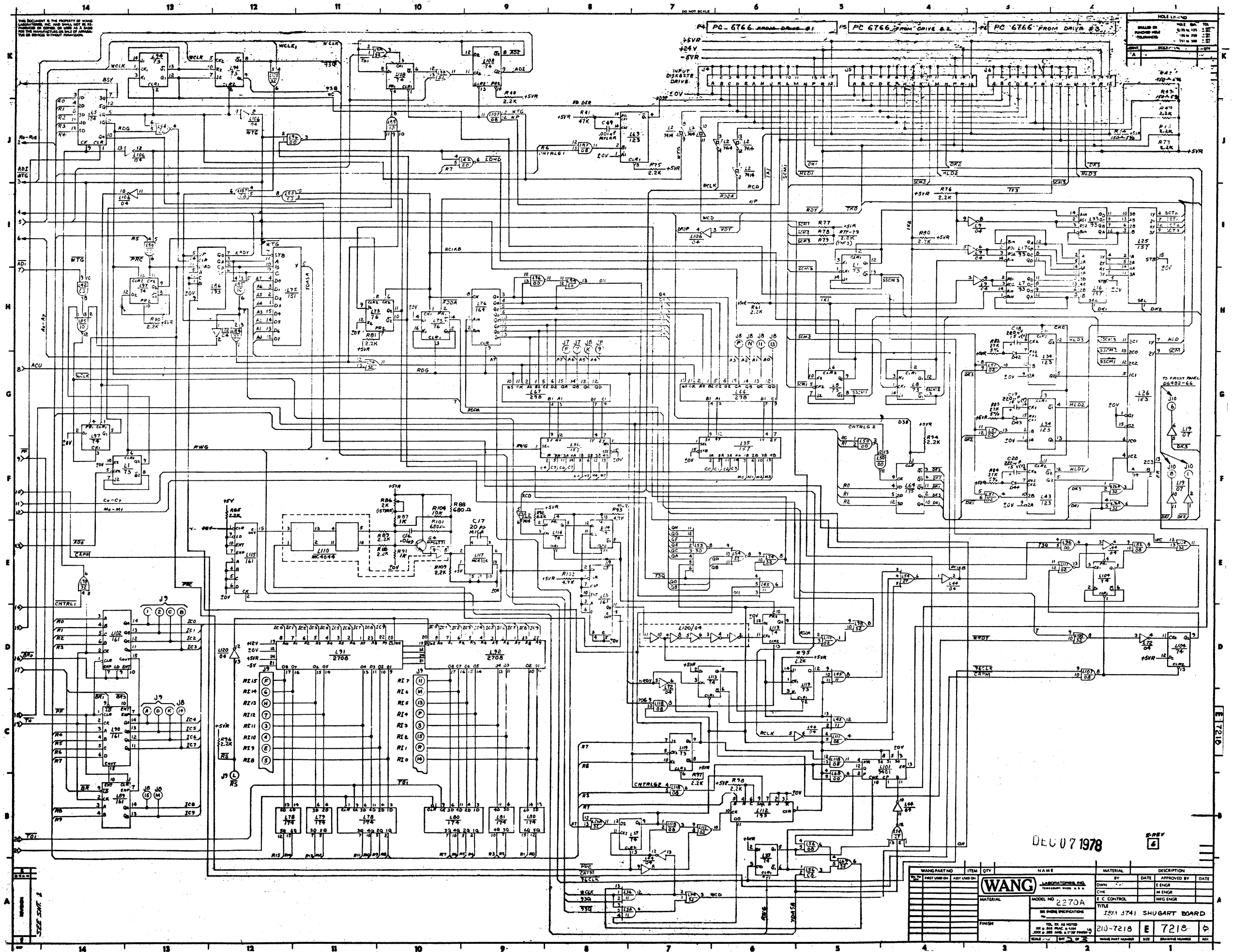
0

WANG PART NUMBER

SIZE

DRAWING NUMBER

REV.

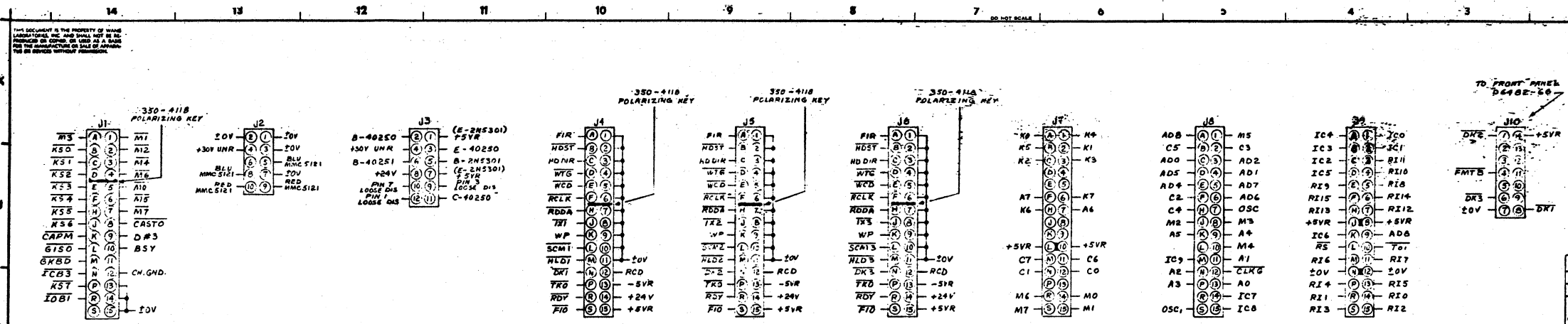


WANG PART NO	ITEM	QTY	NAME	MATERIAL	DESCRIPTION
2270A	1	1	WANG	2270A	CC CONTROL
WANG LABORATORIES, INC. MODEL NO. 2270A TITLE: IBM 3741 SHUGART BOARD 210-7218 E 7218					

DEC 07 1978

REV 5

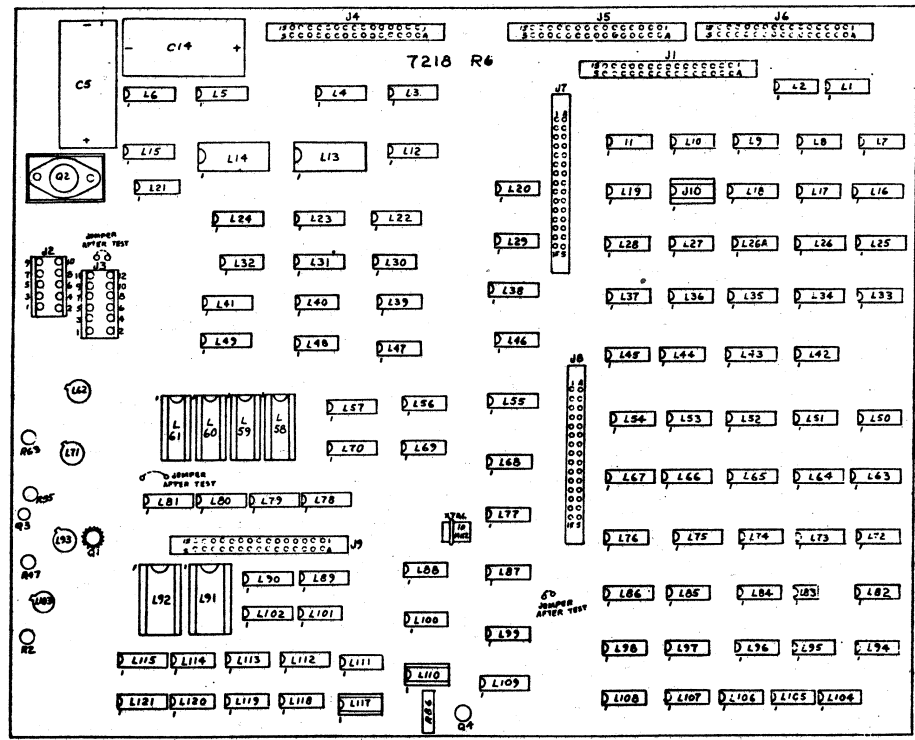
REV.	DESCRIPTION	DATE
1	ISSUED FOR FABRICATION	10/10/54
2	REVISION	10/10/54



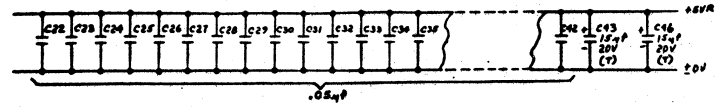
COMPONENT	W.L. PART NO.
R1, 99	330-3033
R2, 47, 55, 63	336-1014
R3, 4, 6, 9, 20, 24, 26, 28, 29, 37, 39, 40, 41, 42, 43, 44, 45, 46, 47, 48, 49, 50, 51, 52, 53, 54, 55, 56, 57, 58, 59, 60, 61, 62, 63, 64, 65, 66, 67, 68, 69, 70, 71, 72, 73, 74, 75, 76, 77, 78, 79, 80, 81, 82, 83, 84, 85, 86, 87, 88, 89, 90, 91, 92, 93, 94, 95, 96, 97, 98, 99, 100, 101, 102, 103, 104, 105	330-3022
R5, 37, 38, 105	330-4027
R20	330-5010
R21	330-6016
R23, 25	107
R39	330-2027
R41	330-4047
LIM, 88	330-2068
R44	330-2033
R45, 103	330-3082
R46, 48, 50	330-3027
R51, 51	331-0016
R52, 53, 54, 55, 56, 57, 58, 59, 60, 61, 62, 63, 64, 65, 66, 67, 68, 69, 70, 71, 72, 73, 74, 75, 76, 77, 78, 79, 80, 81, 82, 83, 84, 85, 86, 87, 88, 89, 90, 91, 92, 93, 94, 95, 96, 97, 98, 99, 100, 101, 102, 103, 104, 105	330-3047
R54	330-2056
R56	330-3015
R62, 69	330-3018
P68	330-2018
R70, 71	330-2322
R66	336-9436
R67, 91	330-3010
R108	331-1539
C1	300-1220
C2, 49	300-2010
C3, 10, 16	300-1903
C4, 7	300-1907
C5	300-3655
C6, 15, 43, 46, 50	300-4022
C8	300-3011
C9, 22-42	300-1900
C11, 45, 47	300-1904
C12	300-1906
C13	300-1010
C14	300-3054
R104	330-4010
C17	300-5018
C18-20	300-4045
C21	300-1100
C44	300-2068
Y1AL	321-0008
DI-34, 42, 44, 46	380-1001
D32	380-2091
D33, 34	380-2008
D35, 36, 39, 40	380-4000
D37	380-2051
D38, 45	380-0000
D41	380-2062
Q1	375-1027
Q2	375-1031
Q3	375-1006
Q4	375-1061
J2	654-1172
J3	654-1188
J10 14PIN SOCKET	376-9012
24 PIN SOCKET	376-9003
22 PIN SOCKET	376-9010
J1, 4-9	350-0011
C-48	300-7973
R46, 43, 74	330-2016
R82-84	330-4028
L110, 117	376-9001

LOCATION	W.L. PART NO.	QTY	REMARKS
L1, 8, 94, 113	376-0055	11	4
L9-11, 20, 30, 44, 72, 87, 106, 120	376-0010	7	14
L3, 46, 67, 6	376-0138	8	16
L4, 8, 12, 15, 26	376-0048	8	16
L7, 17, 35	376-0011	10	5
L13, 14	376-0039	12	24
L16, 22-25, 35, 52	376-0082	8	16
L18, 65, 78, 79, 80, 81	376-0098	8	16
L19	376-0056	7	14
L21	376-0025	7	14
L27, 28	376-0028	7	14
L29, 42, 46, 50, 68, 96	376-0002	7	14
L31, 38	376-0096	8	16
L32	376-0012	7	14
L34, 43, 63	376-0080	8	16
L36, 45	376-0194	7	14
L37, 37, 104, 108, 113, 114	376-0006	7	14
L39, 56, 82, 99, 107, 118	376-0081	7	14
L26, 40, 63, 74, 98, 100, 105	376-0093	7	14
L41, 49	376-0049	8	16
L46, 51, 84, 111	376-0016	7	14
L47, 85	376-0003	7	14
L53	376-0031	7	14
L54	376-0125	7	14
L55, 73, 109	376-0007	13	5
L57, 70, 86	376-0053	8	16
L58, 59, 60, 61	377-0308	8	24
L62, 71, 93, 103	376-0066	—	—
L64	376-0119	8	16
L75	376-0047	8	16
L77	376-0073	10	5
L76, 88	376-0102	7	14
L83	376-0126	1	6
L89, 90, 102, 115, 121	376-0094	8	16
L91, 92	SEE CHART	12	24
L101	376-0250	7	14
L110	SEE CHART	7	14
L112	376-0097	8	16
L117	SEE CHART	7	14
L2	376-0139	7	14
L95	376-0180	7	14
L116	NOT USED		

LOCATION	TYPE	SPARES
L19	7407	1
L24A	7432	1
L29	7400	1
L36	7411	1
L48	7400	1
L56	7408	2
L63	74123	1
L72	7404	3
L74	7432	1
L82	7408	1
L95	741504	1
L96	7400	1
L107	7408	1
L109	7476	1



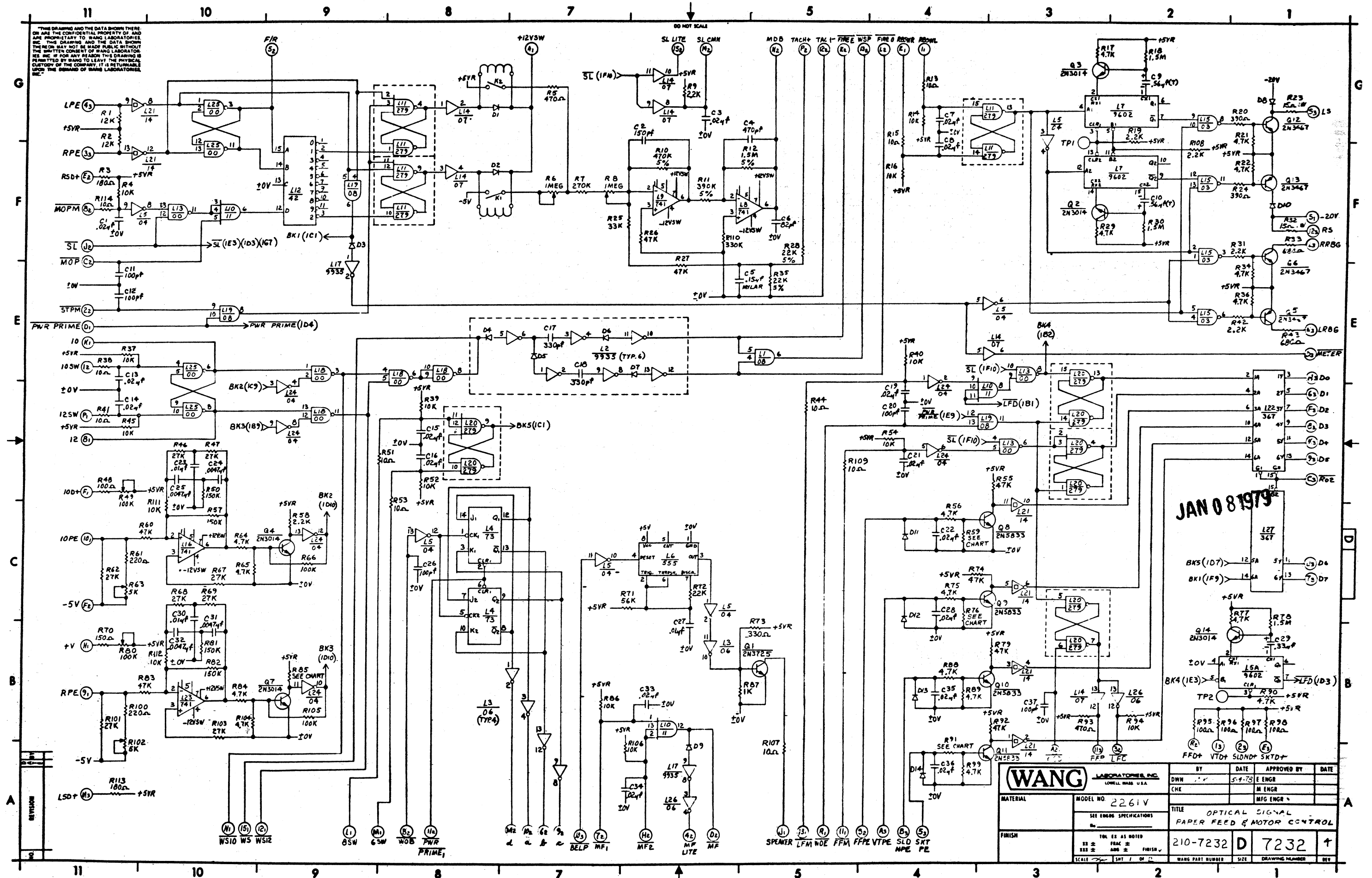
MODEL	210	L110	L117	L91	L92
2270 A	7218-A	376-0263	376-0264	378-2128	378-2129
2270 MVP	7218-B	376-0263	376-0264	378-2130	378-2139



DEC 07 1978

WANG PART NO.	ITEM	QTY	NAME	MATERIAL	DESCRIPTION
2270A	7218-A	1	WANG	376-0263	RESISTOR
2270MVP	7218-B	1	WANG	376-0263	RESISTOR
WANG LABORATORIES, INC. MODEL NO. 2270A TITLE: IBM 3741 MUGART BOARD DATE: 10/10/54 DRAWING NUMBER: 210-7218 E 7218 SCALE: 1:1					

THIS DRAWING AND THE DATA SHOWN THEREON ARE THE CONFIDENTIAL PROPERTY OF WANG LABORATORIES, INC. THIS DRAWING AND THE DATA SHOWN THEREON MAY NOT BE REPRODUCED OR TRANSMITTED IN ANY FORM OR BY ANY MEANS, ELECTRONIC OR MECHANICAL, INCLUDING PHOTOCOPYING, RECORDING, OR BY ANY INFORMATION STORAGE AND RETRIEVAL SYSTEM, WITHOUT THE WRITTEN CONSENT OF WANG LABORATORIES, INC. IF FOR ANY REASON THIS DRAWING IS PERMITTED BY WANG TO LEAVE THE PHYSICAL CUSTODY OF THE COMPANY, IT IS RETURNABLE UPON THE DEMAND OF WANG LABORATORIES, INC.



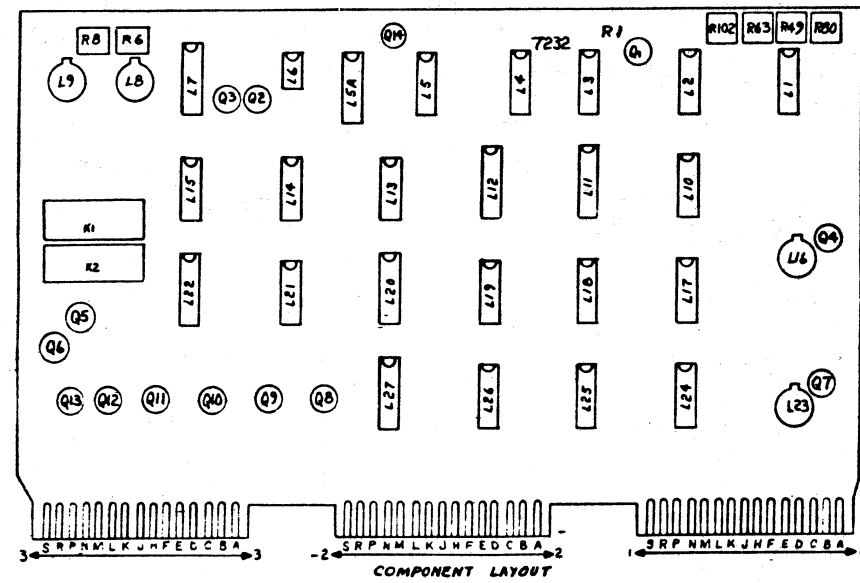
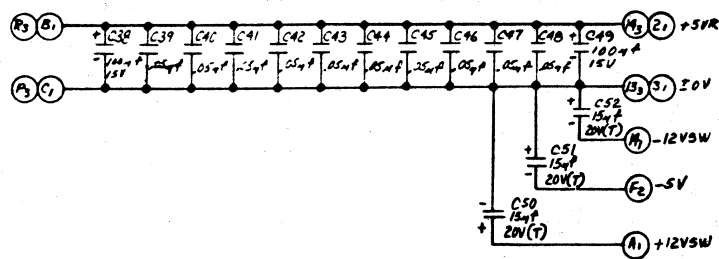
WANG LABORATORIES, INC. LOWELL, MASS. U.S.A.		BY	DATE	APPROVED BY	DATE
		DWN	5-1-73	E ENGR	
MATERIAL		CHK		M ENGR	
				MFG ENGR	
MODEL NO. 2261V		TITLE			
SEE ENGR SPECIFICATIONS		OPTICAL SIGNAL PAPER FEED & MOTOR CONTROL			
FINISH		210-7232		D	7232
SCALE		WANG PART NUMBER		SIZE	DRAWING NUMBER
REV		REV		REV	

THIS DRAWING AND THE DATA SHOWN THEREON ARE THE CONFIDENTIAL PROPERTY OF AND ARE PROPRIETARY TO WANG LABORATORIES, INC. THIS DRAWING AND THE DATA SHOWN THEREON MAY NOT BE MADE PUBLIC WITHOUT THE WRITTEN CONSENT OF WANG LABORATORIES, INC. IF FOR ANY REASON THIS DRAWING IS PERMITTED BY WANG TO LEAVE THE PHYSICAL CUSTODY OF THE COMPANY, IT IS RETURNABLE UPON THE DEMAND OF WANG LABORATORIES, INC.

LOCATION	TYPE	SPARES
L1	7408	3
L3	7406	1
L11	74279	1
L5A	9602	1
L13	7400	1
L17	9935	4
L19	7408	1
L26	7406	4
L27	74367	4

LOCATION	W.L. PART NO.	TYPE
L1,19	376-0081	7408
L2,17	376-0025	9935
L3,26	376-0055	7406
L4	376-0005	7473
L5,24	376-0010	7404
L5A,7	376-0104	9602
L8,9,16,23	376-0074	741
L10	376-0194	7411
L11,20	376-0188	74279
L12	376-0008	7442
L13,18,25	376-0002	7400
L14	376-0056	7407
L15	376-0028	7403
L21	376-0139	7414
L22,27	376-0176	74367
L6	376-0126	555

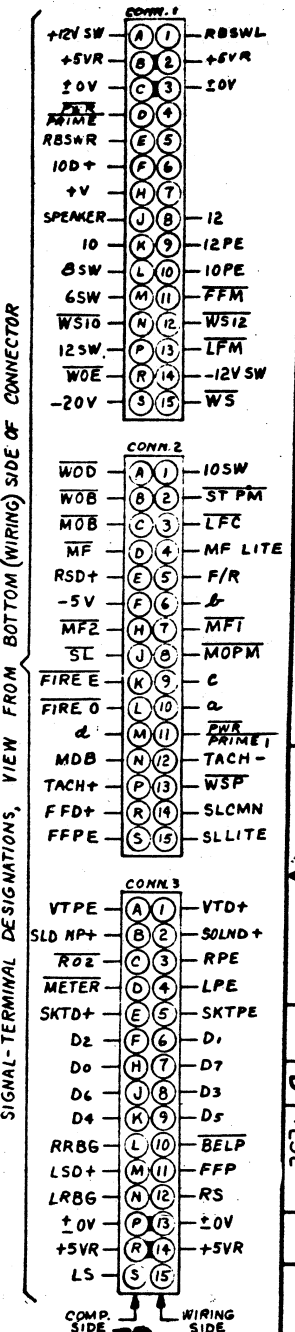
MODEL	210	R57,76,85,91
2261V	7232	330-3047
2261WC	7232-1	330-4027



DO NOT SCALE

COMPONENT	W.L. PART NO.	TYPE
R1,2	330-4012	12K 10%
R3,113	330-2018	180Ω 10%
R4,14,16,37,39,40,45,52,54,86,94,106,111,112	330-4010	10K 10%
R5,93	330-2047	470Ω 10%
R6,8	336-1018	1MEG POT
R7	330-5027	270K 10%
R9,19,31,42,58,108	330-3022	2.2K 10%
R10	330-5048	470K 5%
R11	330-5040	390K 5%
R12	330-6016	1.5MEG 5%
R41,109,114,131,538,44,5153,107	330-1010	10Ω 10%
R17,21,22,29,34,36,64,65,77,84,90,104,56,75,80,97,99	330-3047	4.7K 10%
R20,24	330-2039	390Ω 10%
R23,32	332-1015	15Ω 1W 10%
R25	330-4033	33K 10%
R26,27,55,60,74,79,83,92	330-4047	47K 10%
R28,35	330-4023	22K 5%
R72	330-4022	22K 10%
R33,43	330-2068	680Ω 10%
R46,47,62,67,68,69,101,103	330-4027	27K 10%
R48,95-98	330-2010	100Ω 10%
R50,57,81,82	330-5015	150K 10%
R61,100	330-2022	220Ω 10%
R63,102	336-1020	5K POT
R66,105	330-5010	100K 10%
R70	330-2015	150Ω 10%
R71	330-4056	56K 10%
R73	330-2033	330Ω 10%
R87	330-3010	1K 10%
C1,3,7,8,13,14,15,16,19,21,22,28,33,34,35,36	300-1904	.02μF 25V
C2	300-1150	150μF 500V
C4	300-1470	470μF 500V
C5	300-2215	.15μF MYLAR 100V
C6	300-1082	82μF 500V
C9,10	300-4010	.56μF 35V
C11,12,20,26,37	300-1100	100μF 500V
C17,18	300-1330	330μF 500V
C23,27,30	300-1903	.01μF 25V
C24,25,31,32	300-1910	.0047μF 500V
C29	300-4008	.33μF 35V
Q1	375-1027	2N3725
Q2,3,4,7,14	375-0017	2N3014
Q5,6,12,13	375-1026	2N3467
Q8,9,10,11	375-1006	2N5833
C38,49	300-3011	100μF 15V
D1-14	380-1001	D035 SIL.
K1,2	320-0047	12V REED RELAY
C39-48	300-1900	.05μF 12V
C50-52	300-4022	15μF 20V TANT
R18,30,78	330-6015	1.5M 10%
R49,80	336-1019	100K POT
R110	330-5033	330K 10%

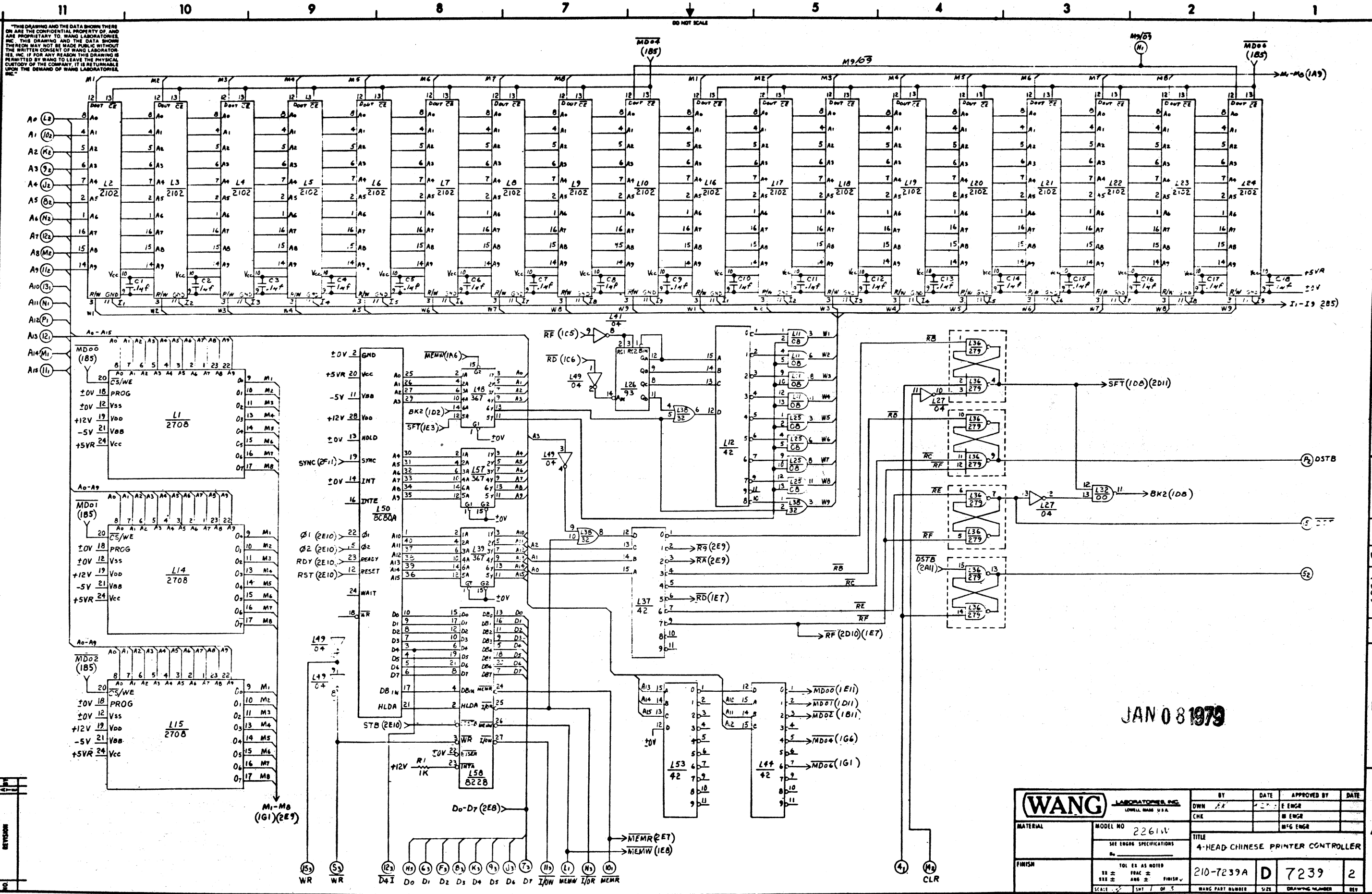
MNEMONICS	COORDINATES
a	1A7
b	1A7
BELP	1A7
c	1A7
d	1A7
D-D7	1E1
FFD+	1A2
FFM	1A5
FFPE	1A6
FIRE	1G5
FIRE 0	1G4
F/R	1G3
LFC	1A2
LFM	1A5
LPE	1G11
LRBG	1E1
LS	1G1
MDB	1G5
METER	1E1
MF	1A6
MFT	1A7
MFE	1A6
MF LITE	1A6
MOP	1F11
MOPM	1F11
PFB	1A2
PWR PRIME	1E11
PWR PRIME1	1A8
RBSWL	1G4
RBSWR	1G4
RO2	1D1
RPE	1F11
RRBG	1F1
RS	1F1
RSD+	1F11
SKTD+	1A1
SKT PF	1A4
SL	1F11
SLCMM	1G6
SLD ND+	1A1
SLD NPE	1A4
SL LITE	1G6
SPEAKER	1A5
ST PM	1E11
TACH-	1G5
TACH+	1G5
VTD+	1A1
VTPE	1A4
WOB	1A8
WOD	1A3
WOE	1A5
WS	1A10
WSP	1G5
WS10	1A10
WSP	1A9
6SW	1A8
8SW	1A9
10	1E11
10D+	1D11
10PE	1C11
10SW	1E11
12	1D11
12PE	1B11
-12SW	1D11



JAN 08 1979

NO	REVISION	DATE	BY	APPROVED BY	DATE
1	ORIGINATED PER	7-21-78			
2	REVISED PER	7-21-78			
3	REVISED PER	7-21-78			
4	REVISED PER	7-21-78			
5	REVISED PER	7-21-78			
6	REVISED PER	7-21-78			
7	REVISED PER	7-21-78			
8	REVISED PER	7-21-78			
9	REVISED PER	7-21-78			
10	REVISED PER	7-21-78			

WANG LABORATORIES, INC. LOWELL, MASS. U.S.A.		BY	DATE	APPROVED BY	DATE
MATERIAL		DWN	7-21-78	E ENGR B. Chen	7/21/78
MODEL NO. 2261V		CHK	G.D.	M ENGR	
SEE ENGR SPECIFICATIONS		TITLE			
NO.		OPTICAL SIGNAL PAPER FEED & MOTOR CONTROL			
FINISH		TOL. EX. AS NOTED		SCALE	
		210-7232		D 7232 4	
		SCALE 1:1		WANG PART NUMBER SIZE DRAWING NUMBER REV.	



THIS DRAWING AND THE DATA SHOWN THERE ON ARE THE CONFIDENTIAL PROPERTY OF AND ARE PROPRIETARY TO WANG LABORATORIES, INC. THIS DRAWING AND THE DATA SHOWN THEREIN MAY NOT BE MADE PUBLIC WITHOUT THE WRITTEN CONSENT OF WANG LABORATORIES, INC. IF FOR ANY REASON THIS DRAWING IS PERMITTED BY WANG TO LEAVE THE PHYSICAL CUSTODY OF THE COMPANY, IT IS RETURNABLE UPON THE DEMAND OF WANG LABORATORIES, INC.

JAN 08 1979

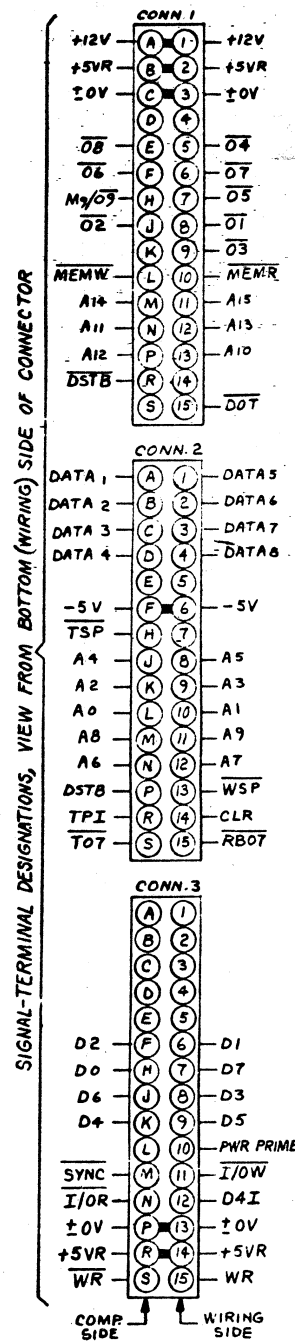
WANG LABORATORIES, INC. LOWELL, MASS. U.S.A.		BY	DATE	APPROVED BY	DATE
		DWN	EA	E ENGR	
MATERIAL MODEL NO 2261V SEE ENGINE SPECIFICATIONS		CHK		M ENGR	
				MFG ENGR	
FINISH TOL ES AS NOTED SEE ± ANG ± FINISH ✓ SCALE 1/8" = 1"		TITLE 4-HEAD CHINESE PRINTER CONTROLLER			
		210-7239A	D	7239	2
WANG PART NUMBER		SIZE	DRAWING NUMBER	REV	

"THIS DRAWING AND THE DATA SHOWN THERE ON ARE THE CONFIDENTIAL PROPERTY OF, AND ARE PROPRIETARY TO, WANG LABORATORIES, INC. THIS DRAWING AND THE DATA SHOWN THEREON MAY NOT BE MADE PUBLIC WITHOUT THE WRITTEN CONSENT OF WANG LABORATORIES, INC. IF FOR ANY REASON THIS DRAWING IS PERMITTED BY WANG TO LEAVE THE PHYSICAL CUSTODY OF THE COMPANY, IT IS RETURNABLE UPON THE DEMAND OF WANG LABORATORIES, INC."

COMPONENT	W.L. PART NO.	TYPE
R1, 6-14	330-3010	1K 1/2W 10%
R2, 5	330-4010	10K 1/2W 10%
R3	330-3022	2.2K 1/2W 10%
R4	330-3033	3.3K 1/2W 10%
C1, 3, 5, 7, 11, 13, 15, 17	300-1933	.1uF 50V M-F000
C2, 4, 6, 8, 10, 12, 14, 16, 18	300-1931	.1uF 50V M-F000
C19-37	300-1900	.05uF 12V
C38, 39, 40, 41	300-4222	.15uF 25V TANT.
XTAL	321-0018	17.1 MHZ
L1, 14, 15	376-9003	24 PIN SOCKET
L2-10, 13, 16-24	376-9002	16 PIN SOCKET
L50	376-9011	40 PIN SOCKET
L58	376-9015	28 PIN SOCKET

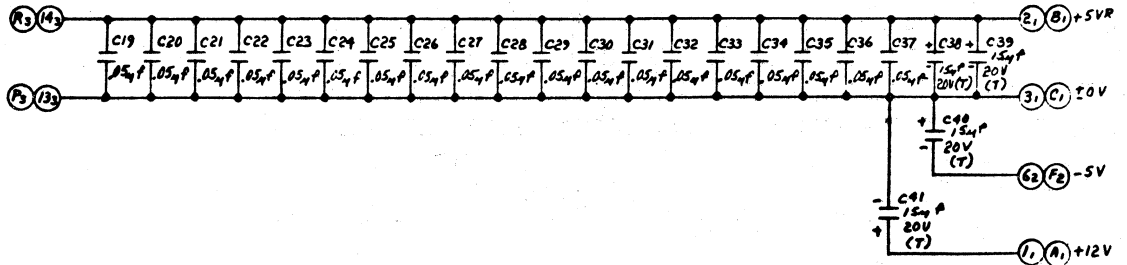
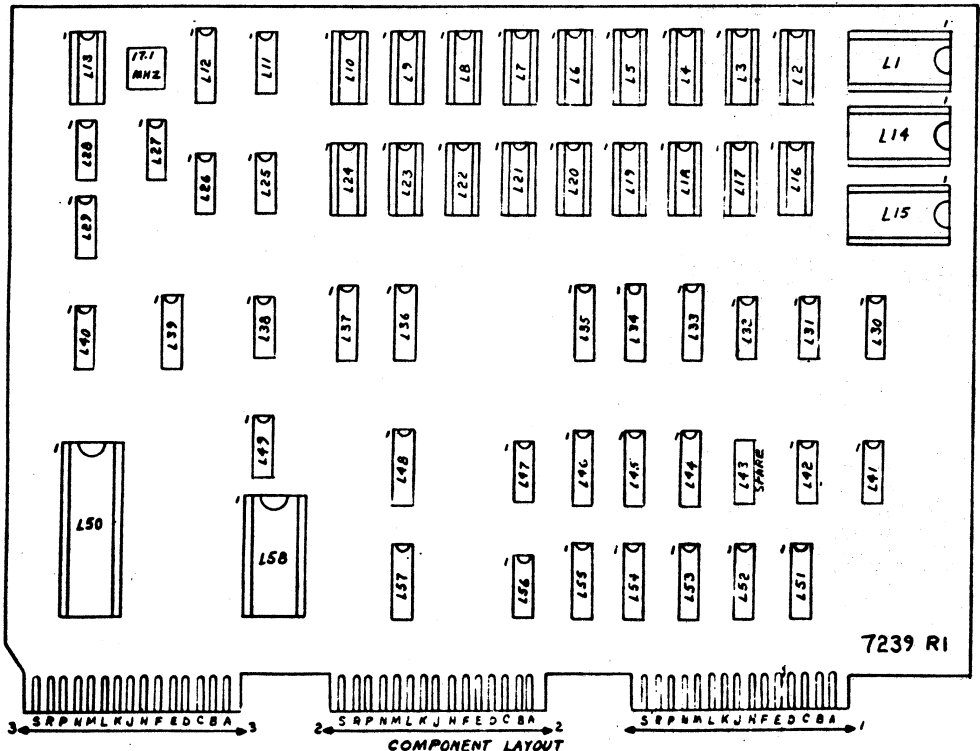
LOCATION	W.L. PART NO.	TYPE
L1, 14, 15	SEE CHART	2708
L2-10, 16-24	377-0069	2102
L11, 25, 40	376-0081	7408
L12, 37, 44, 53	376-0008	7442
L13	377-0337	8224
L26	376-0011	7493
L27, 41, 42, 49	376-0010	7404
L28, 29	376-0006	7474
L30, 31, 32	376-0002	7400
L33, 34, 35, 39, 48, 57	376-0176	74367
L36	376-0188	74279
L38	376-0093	7432
L45, 46, 51, 52	376-0082	74157
L47, 56	376-0056	7407
L50	377-0269	8080A
L54, 55	376-0097	74195
L58	377-0338	8228
L43	NOT USED	

MEMORICS	COORDINATES
A0-A15	1F11
CLR	1A4
DATA, DATA6	2D11
D4I	1A8
D0-D7	1A8
DOT	1C1
DSTB	1D1
DSTB	2A11
I, I9	2B5
I/OR	1A7
I/OW	1A7
M1-M8	1G1
M9/O9	1G2
MD00-MD06	1B5
MEMR	1A7
MEMW	1A7
O1-O9	2B4
O1, O2	2E10
PWR PRIME	2G9
RA-RF	1C6
RBO7	2E11
RB, R9	1C6
RDY	2E10
RST	2E10
SFT	1E3
SYNC	2G10
TOT	2F11
TPI	2G9
TSP	2G11
W1-W9	1E5
WR	1A9
WR	1A9
WSP	2G11
X0-X7	2D6



LOCATION	TYPE	SPARES
L32	7400	1
L41	7404	2
L47	7407	4
L49	7404	1

MODEL	210 = 209 + 377 OR 378				
	209	210	L1	L14	L15
2261W	7239	7239A	377-0317	377-0317	377-0317
2261WC	7239	7239B	378-2190	378-2191	378-2192



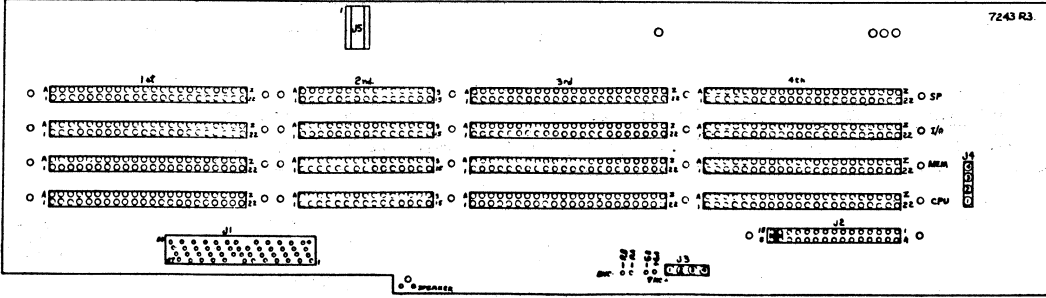
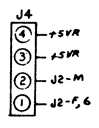
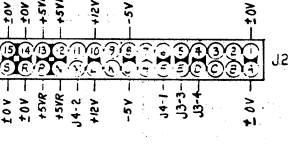
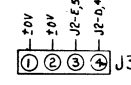
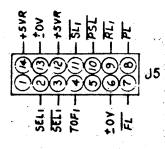
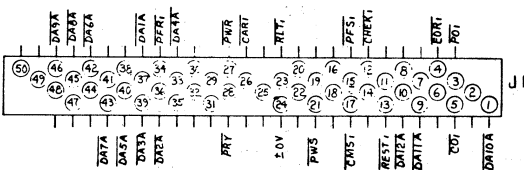
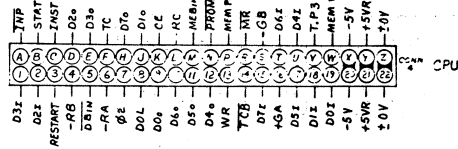
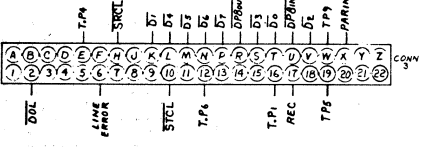
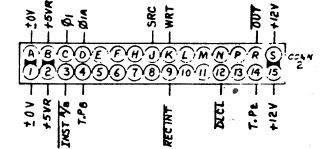
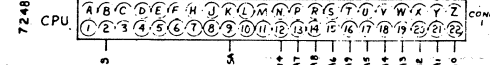
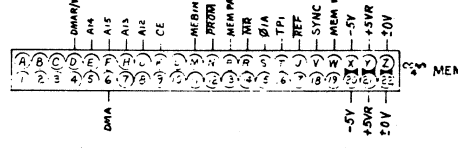
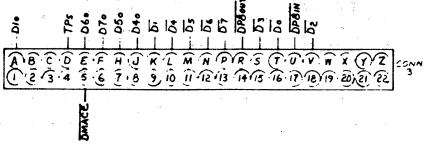
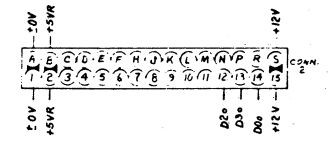
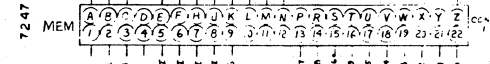
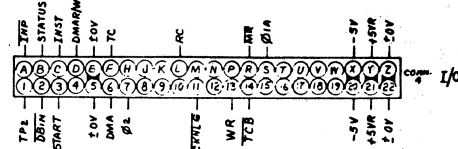
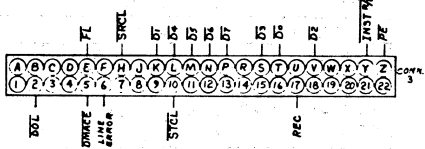
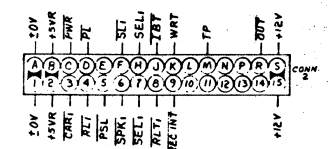
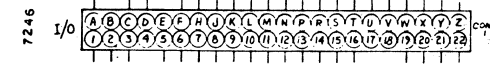
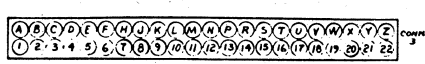
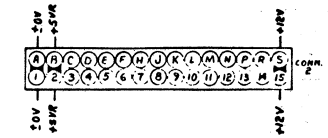
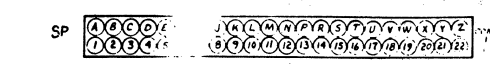
NOV 8 1979

REV	DESCRIPTION	DATE
0	ORIGINATED PER DWG W. 5/11/78	5-11-78
1	REVISED PER ECN # 8098	5-17-78
2	REVISED PER ECN # 8598	5-17-78
3	REVISED PER ECN # 8598	5-17-78

(WANG) LABORATORIES, INC. LOWELL, MASS. U.S.A.		BY: <i>[Signature]</i>	DATE: 4-7-78	APPROVED BY: E ENGR J. WANG	DATE: 5/11/78
MATERIAL:	MODEL NO. 2261W	TITLE: 4-HEAD CHINESE PRINTER CONTROLLER			
FINISH: <input type="checkbox"/> TOI <input type="checkbox"/> AS NOTED <input type="checkbox"/> FRAC <input type="checkbox"/> FINISH <input type="checkbox"/>		210-7239A	D	7239	2
SCALE: <input type="checkbox"/> 1" = 1"		WANG PART NUMBER	SIZE	DRAWING NUMBER	REV

THIS DOCUMENT IS THE PROPERTY OF WANG LABORATORIES, INC. AND SHALL NOT BE PRODUCED OR COPIED OR USED AS A BASIS FOR THE MANUFACTURE OR SALE OF EQUIPMENT OR DEVICES WITHOUT PERMISSION.

HOLE LEGEND		
DRAWN OR	DATE	BY
REVISION	DESCRIPTION	DATE



COMPONENTS	W.L. PART NO.
44 PIN CONN.	350-0021
30 PIN CONN.	350-0011
44 PIN CONN (NO EXP)	350-0033
J2	350-0009
J1	350-0405B
J3, 4	654-1194
J5	376-9012

JAN 08 1979

REV	DATE	BY	DESCRIPTION
1	12/10/78	W.L.	ORIGINAL PCB
2	12/10/78	W.L.	REVISED PCB
3	12/10/78	W.L.	REVISED PCB
4	12/10/78	W.L.	REVISED PCB
5	12/10/78	W.L.	REVISED PCB
6	12/10/78	W.L.	REVISED PCB
7	12/10/78	W.L.	REVISED PCB
8	12/10/78	W.L.	REVISED PCB
9	12/10/78	W.L.	REVISED PCB
10	12/10/78	W.L.	REVISED PCB
11	12/10/78	W.L.	REVISED PCB
12	12/10/78	W.L.	REVISED PCB
13	12/10/78	W.L.	REVISED PCB
14	12/10/78	W.L.	REVISED PCB

WANG PART NO.	ITEM	QTY	NAME	MATERIAL	DESCRIPTION																
210-7243	E	7243	3	WANG PART NUMBER	DATE																
<table border="1"> <tr> <td>BY</td> <td>DATE</td> <td>APPROVED BY</td> <td>DATE</td> </tr> <tr> <td>OWN</td> <td>1/1/79</td> <td>ENGR</td> <td>1/1/79</td> </tr> <tr> <td>CHK</td> <td>(S.D.)</td> <td>M ENGR</td> <td></td> </tr> <tr> <td colspan="2">E.C. CONTROL</td> <td>MFG ENGR</td> <td></td> </tr> </table>						BY	DATE	APPROVED BY	DATE	OWN	1/1/79	ENGR	1/1/79	CHK	(S.D.)	M ENGR		E.C. CONTROL		MFG ENGR	
BY	DATE	APPROVED BY	DATE																		
OWN	1/1/79	ENGR	1/1/79																		
CHK	(S.D.)	M ENGR																			
E.C. CONTROL		MFG ENGR																			
<table border="1"> <tr> <td>MODEL NO</td> <td>920</td> </tr> <tr> <td colspan="2">SEE ENGINE SPECIFICATIONS</td> </tr> <tr> <td colspan="2">FINISH</td> </tr> <tr> <td colspan="2">TITLE</td> </tr> <tr> <td colspan="2">PRINTER MOTHERBOARD</td> </tr> <tr> <td colspan="2">SCALE</td> </tr> <tr> <td colspan="2">DATE</td> </tr> <tr> <td colspan="2">DRAWING NUMBER</td> </tr> </table>						MODEL NO	920	SEE ENGINE SPECIFICATIONS		FINISH		TITLE		PRINTER MOTHERBOARD		SCALE		DATE		DRAWING NUMBER	
MODEL NO	920																				
SEE ENGINE SPECIFICATIONS																					
FINISH																					
TITLE																					
PRINTER MOTHERBOARD																					
SCALE																					
DATE																					
DRAWING NUMBER																					