

PRODUCT DATA SHEET

The Model 2211M Printer Multiplexer allows a single printer or plotter to be shared by up to four separate 2200 Central Processing Units (CPUs) or terminals in any combination. Multiplexed printing and/or plotting significantly reduces the cost-per-user of hard copy output. The 2211M is compatible with all current Wang Series 2200 printers and plotters, with the exception of the Model 2232 Flatbed Plotter.

An attractive and compact Model 2211M chassis houses the power supply and all multiplexer electronics. Connectors on the front panel of the chassis provide for the attachment of the printer and 2200 systems. A select button and four channel indicator lamps (labeled CH 1, CH 2, CH 3, and CH 4) are located on the front panel of the multiplexer.

The Model 2211M comes equipped with four 12-foot cables to connect the multiplexer to the 2200 systems. Standard extension cables, available in lengths of 25 feet (7.6 meters) or 50 feet (15.2 meters), may be used with the multiplexer. The use of more than one extension cable is not recommended. The multiplexer is connected either to the printer/plotter controller boards installed in a 2200 CPU chassis, or the printer/plotter jacks located on the back panel of the terminal.

All access to the printer is controlled by the multiplexer, and is manually selected via the multiplexer select button, which controls the four print channels. Once the printer is selected, the printing station maintains exclusive control of the printer; all other systems are prevented from accessing the printer until their channel is manually selected.

2200

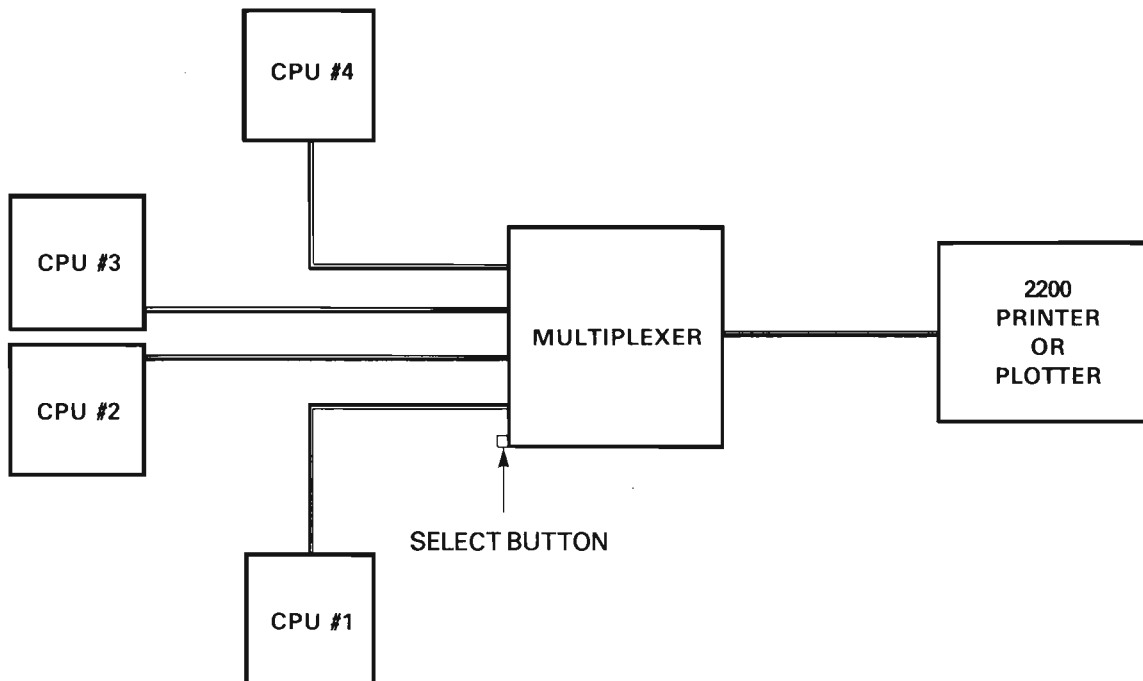
MODEL 2211M PRINTER MULTIPLEXER

- **Allows any combination of 4 CPUs and terminals to share 1 printer**
- **Compatible with all current Wang 2200 printers**
- **Single compact chassis houses all electronics**



Wang Laboratories, Inc.

One Industrial Avenue, Lowell, MA 01851, Tel. (617) 459-5000, TWX 710-343-6769, Telex 94-7421



Typical 2211M Printer Multiplexer Configuration

MODEL 2211M SPECIFICATIONS

Size

Height 5.5 in. (14.0 cm)
 Width 8.0 in. (20.3 cm)
 Length 11.5 in. (29.2 cm)

Weight

10 lb (4.5 kg)

Power Requirements

115 or 230 VAC \pm 10%
 50 or 60 Hz \pm 1.0 Hz
 25 Watts

Operating Environment

Temperature
 60° F to 80° F (15° C to 27° C)
 Relative Humidity
 40% to 60% noncondensing

Heat Output

85 Btu/hr

Cabling

Four 12-ft (3.66 m) connector cables

Extension Cables

25 ft (7.6 m) (120-225-25)
 50 ft (15.2 m) (120-225-50)

ORDERING SPECIFICATIONS

The printer/plotter multiplexer must be capable of multiplexing a maximum of four separate CPUs or terminals with most printers or plotters. The multiplexer must contain a select button, four channel indicator lamps, and five connectors to which the printer and four CPUs or terminals are attached.

Standard Warranty Applies

Wang Laboratories reserves the right to change specifications without prior notice.

This document was set on a Wang typesetter.



Wang Laboratories, Inc.

One Industrial Avenue, Lowell, MA 01851, Tel. (617) 459-5000, TWX 710-343-6769, Telex 94-7421

Printed in U.S.A.
 700-5224A
 6-81-15M