

XEROX

Diablo Systems Incorporated
A Xerox Company

Model 44B Disk Drive
Parts Catalog

PREFACE

The contents of this catalog represents the unit as manufactured at the time of publication. All parts listed are shown in the correct form for ordering, including those assemblies which are supplied as single parts. Items not listed are NOT FIELD REPLACEABLE. Such items are sometimes included for completeness of illustration only.

Diablo Systems, Inc. reserves the right to make changes in its products without incurring obligations to incorporate such changes in previously manufactured units.

Parts orders should be addressed to your Diablo Sales Representative.

Comments on this catalog, or its use, are invited. Please address all comments to:

Manager, Customer Service Publications
Diablo Systems, Incorporated
3190 Corporate Place
Hayward, CA 94545

"Diablo" and "Xerox" are trademarks of Xerox Corporation.

Publication No. 81904-01 - First Edition

Diablo Systems Incorporated

24500 Industrial Boulevard
Hayward, California 94545
415 786-5000

A Xerox Company

Addenda

Date	Page
November, 1977	1 of 2

Publication Being Revised

Model 44B Disk Drive Parts Catalog
Publication No. 81904-01 Rev. A

Please enter the following revisions and/or corrections in your copy of this manual:

Page 1-9

Item 1 - Was: 19095-01 Front Panel, Charcoal
19095-02 Front Panel, Lava Brown

Should be: 19095-01 Front Panel, Charcoal
19095-03 Front Panel, Lava Brown
19095-04 Front Panel, Dark Brown

Item 5 - Was: 19100-01 Handle, Black
19100-02 Handle, Lava Brown

Should be: 19100-01 Handle, Black
19100-03 Handle, Lava Brown
19100-04 Handle, Dark Brown

Item 7 - Add: 19238-05 Top Trim Panel, Beige

Item 8 - Was: 19146-01 Bottom Trim Panel, White
19146-02 Bottom Trim Panel, Creme

Should be: 19146-01 Bottom Trim Panel, White
19146-03 Bottom Trim Panel, Creme
19146-04 Bottom Trim Panel, Beige

Note(1) - Add: 19004-04 - Special

Page 2-6

Miscellaneous - Was: 10245 Data Transfer PCB
Should be: 12045 Data Transfer PCB

Page 2-12

Miscellaneous - Was: 10941 Spacer, Captive Screw
Should be: 19041 Spacer, Captive Screw

Page 2-17

Miscellaneous - Was: 10298 Servo PCB
Should be: 12098 Servo PCB

Page 2-20

Capacitors - Was: 10061-56 56pF 50V (two places)
Should be: 42084-10 56pF 50V (two places)

Was: 10062-39 390pF 50V
Should be: 42084-20 390pF 50V

Page 2-21

Capacitors - Was: 10061-56 56pF 50V (two places)
Should be: 42084-10 56pF 50V (two places)

Was: 10062-39 390pF 50V
Should be: 42084-20 390pF 50V

Page 3-7

Item 1 - Was: 16037-11 Carton, Outer
Should be: 19265 Carton, Outer

TABLE OF CONTENTS

SECTION I - MECHANICAL ASSEMBLIES

1.	#19000-XX Final Assembly	1-1
2.	#19001-02 Pan Assembly	1-5
3.	#19002-XX Base Plate Assembly	1-7
4.	#19004-XX Front Panel Assembly	1-9
5.	#19007-XX Bowl Assembly	1-11
6.	#19033-XX/19220-XX Power Supply Assembly	1-13
7.	#19003 Head Positioner Assembly	1-15
8.	#16020-01 Drive Tube Assembly	1-19
9.	#19083 Head Block Assembly	1-19
10.	#19005-XX/19233-XX Cartridge Retainer Assembly	1-21
11.	#19155/19232 Cartridge Retainer Detent Assembly	1-21
12.	#19008 Card Cage Assembly	1-23
13.	#19019 Brush Motor Assembly	1-25
14.	#19162-XX Spindle Assembly	1-25
15.	#19032 Power Driver Assembly	1-27
16.	#19013 Fan Assembly	1-27

SECTION II - PCB ASSEMBLIES

1.	#12023C Motherboard PCB Assembly	2-1
2.	#12025A I/O PCB Assembly	2-3
3.	#12035-XX XDC Regulator PCB Assembly	2-4
4a.	#12046-XX XDL Data Transfer PCB Assembly	2-5
4b.	#12143-XX XDA Data Transfer PCB Assembly	2-7
5a.	#12062 XDH Power Driver PCB Assembly	2-9
5b.	#12062-XXF Power Driver PCB Assembly	2-11
6a.	#12066-XXD Logic PCB Assembly	2-13
6b.	#12141-XXA Logic PCB Assembly	2-14
7a.	#12099 XDC Servo PCB Assembly	2-15
7b.	#12099A Servo PCB Assembly	2-17
8a.	#12101-XX XDD Address Logic PCB Assembly	2-19
8b.	#12101-XXF Address Logic PCB Assembly	2-20
8c.	#12152-XXB Address Logic PCB Assembly	2-21

SECTION III - MISCELLANEOUS ASSEMBLIES

1.	#11473-XX I/O Cable Assembly	3-1
2.	#11441 Terminator Assembly	3-3
3.	#19021 Rack Mounting Kit	3-5
4.	#19186 Shipping Container Assembly	3-7

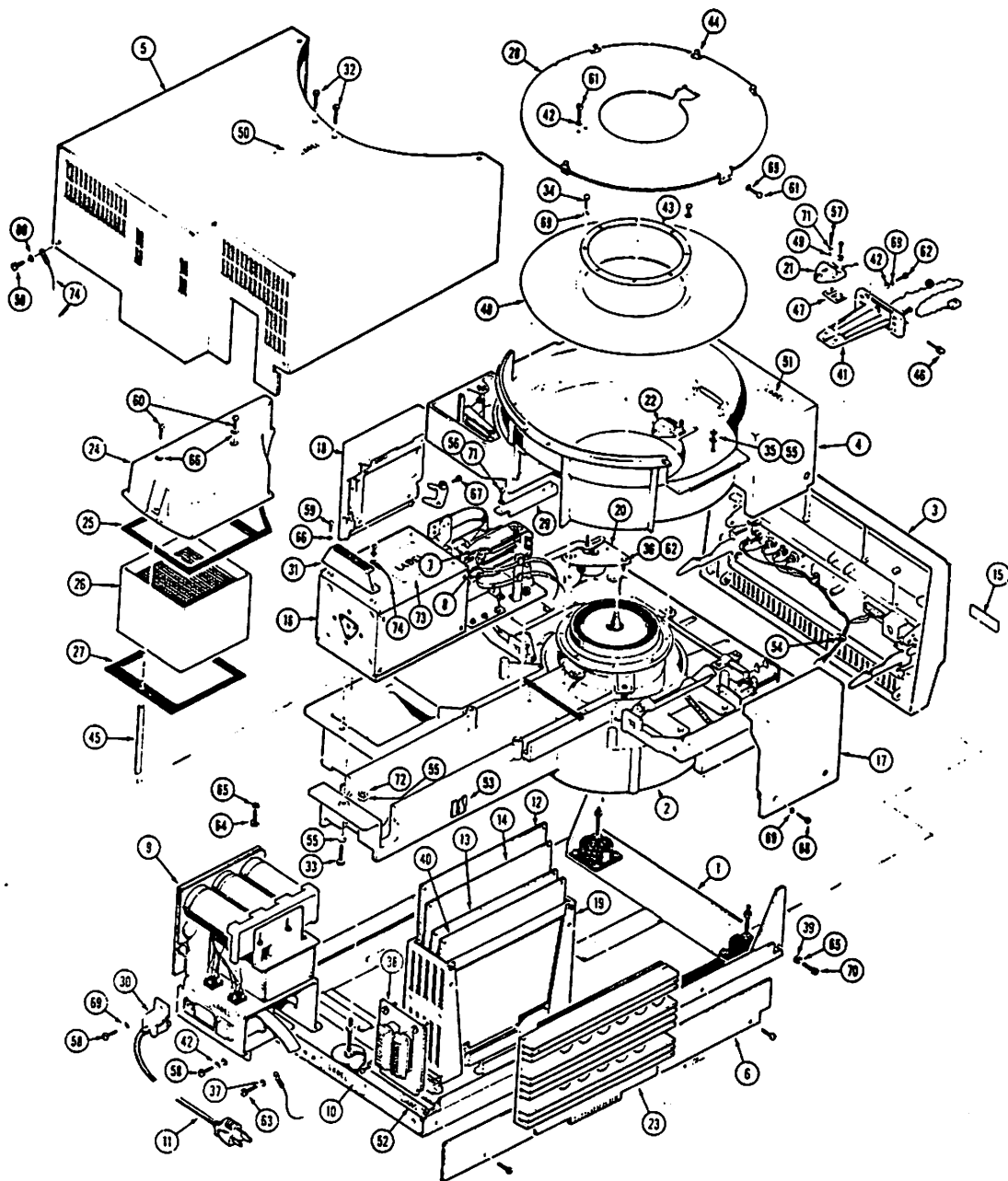


Figure 1-1
#19000-XX FINAL ASSEMBLY

SECTION I.1

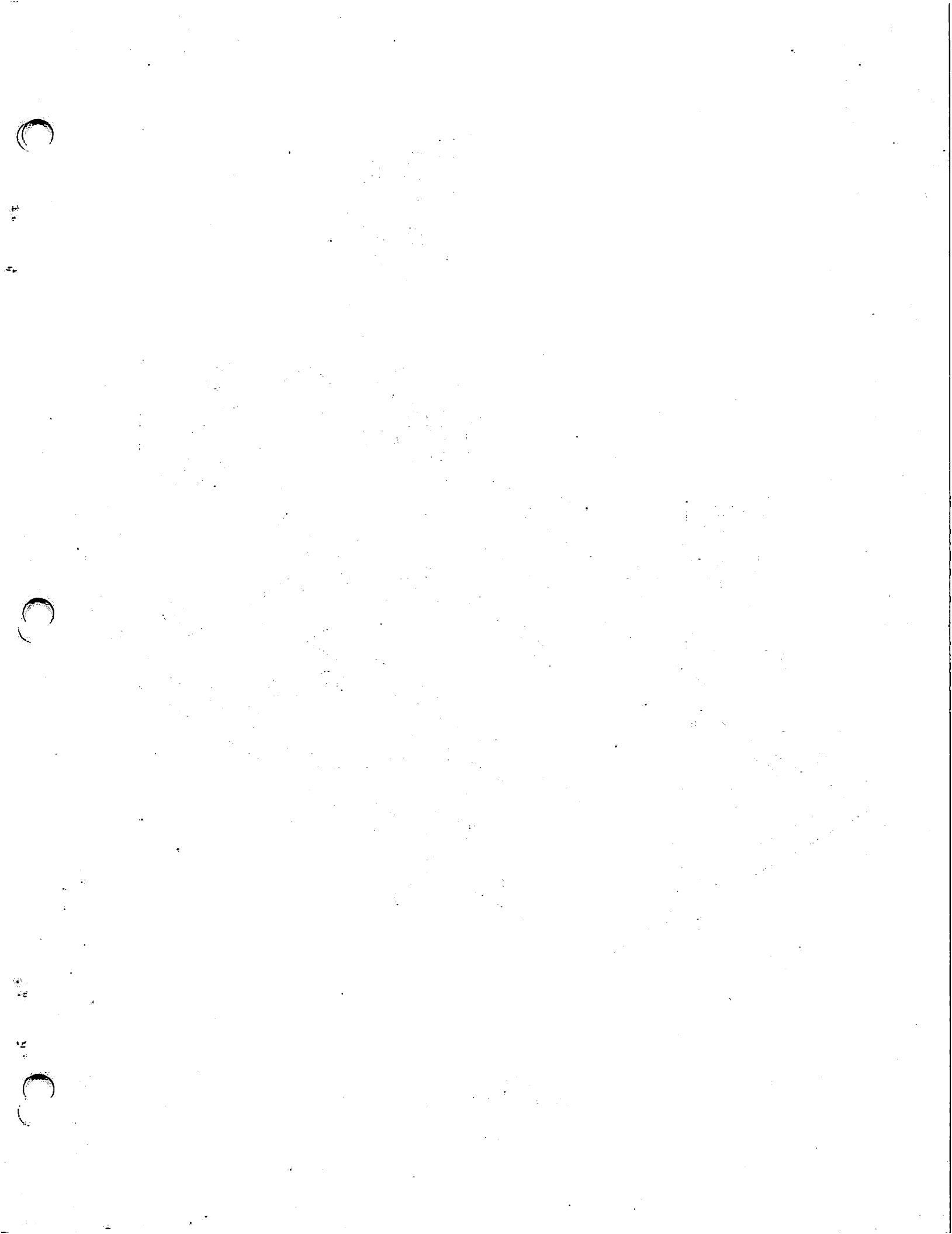
#19000-XX FINAL ASSEMBLY
(see notes)

ITEM	PART NO.	DESCRIPTION	ITEM	PART NO.	DESCRIPTION
1	19001-02	Pan Assembly (see Section I.2)	14	12066-XX 12141-XX	Logic PCB Assembly Logic PCB Assembly (see Section II.3)
2	19002-01 19002-02	Base Plate Assembly, 2400 rpm, Standard Base Plate Assembly, Special (see Section I.3)	15	15440	Block, Diablo Logo
3	19004-01 19004-02	Front Panel Assembly, Standard Front Panel Assembly, Special (see Section I.4)	16	19003	Head Positioner Assembly (see Section I.7)
4	19007-01	Bowl Assembly, Gray (see Section I.5)	17	19005-03	Cartridge Retainer Assembly, Left (see Section I.10)
5	19012-02	Main Cover Assembly	18	19005-04	Cartridge Retainer Assembly, Right (see Section I.10)
6	19021 19148-01	Rack Mounting Kit (see Section I.15) Desk Top Kit (see note 2)	19	19008	Card Cage Assembly (see Section I.12)
7	25127-01 25128-01 25129-01	Lower R/W Head Assembly, 100 tpi/1500 rpm Lower R/W Head Assembly, 100 tpi/2400 rpm Lower R/W Head Assembly, 200 tpi/2400 rpm	20	19019	Brush Motor Assembly (see Section I.13)
8	25127-02 25128-02 25129-02	Upper R/W Head Assembly, 100 tpi/1500 rpm Upper R/W Head Assembly, 100 tpi/2400 rpm Upper R/W Head Assembly, 200 tpi/2400 rpm	21	19020-01	Index/Sector Transducer Assembly, Upper
9	19033-01 19033-02 19220-01 19220-02	Power Supply Assembly, 115VAC +10% Power Supply Assembly, 230VAC +10% Power Supply Assembly, 115VAC +10%/-15% Power Supply Assembly, 230VAC +10%/-15% (see Section I.6)	22	19020-02	Index/Sector Transducer Assembly, Lower
10	19152 19153	Label, S/N, 100-120VAC Label, S/N, 220-240VAC	23	19032	Power Driver Assembly (see Section I.15)
11	42552-01 42552-02 42665-01 42665-02 42665-03	Power Cord Assembly, 115VAC Power Cord Assembly, 230VAC Power Cord Assembly, 125V, 90° Power Cord Assembly, 250V, 90° (Europe) Power Cord Assembly, 250V, 90° (US & Canada)	24	19048	Duct, Filter
12	12046-XX 12143	Data Transfer PCB Assembly, Single Shot Data Transfer PCB Assembly, Single Shot (see Section II.4)	25	19049	Gasket, Filter Duct
13	12101-XX 12152-XX	Address Logic PCB Assembly Address Logic PCB Assembly (see Section II.2)	26	19052	Filter, Air
			27	19054	Gasket, Filter - Base Plate
			28	19079	Cover, Lower Disk
			29	19081	Link, Scale
			30	19126	Bracket, Cable Restraint
			31	19157	Bracket, Cover Stop
			32	70717-04	Screw, 6-32 X .250, P.H.
			33	70679-12	Screw, 1/4-20 X .750, S.H.
			34	70716-06	Screw, 6-32 X .375, H.H.
			35	70679-14	Screw, 1/4-20 X .875, S.H.
			36	70234	Washer, Belleville
			37	70737-06	Lockwasher, #6
			38	12025	I/O PCB Assembly (see Section II.2)
			39	70169-10	Flatwasher, #10
			40	12099	Servo PCB Assembly (see Section II.7)
			41	16028	Bracket, Index/Sector Transducer
			42	70169-06	Flatwasher, #6
			43	16102	Clamp Ring, Spindle
			44	16301	Positioner, Cartridge

<u>ITEM</u>	<u>PART NO.</u>	<u>DESCRIPTION</u>
45	16304-02	Post, Duct, 4.4375"
46	16356	Screw, Index/Sector Transducer
47	16358-01	Shim, .005"
	16358-02	Shim, .002" (as required)
48	16483	Disk, Recording, 2200 bpi
49	70169-04	Flatwasher, #4
50	16785	Label, Caution
51	16822	Label, Instruction
52	71266	Label, CSA
53	42527-01	Clip, Flat Cable
54	10538-01	Cable-Tie
55	70168-13	Lockwasher, #1/4
56	70029-03	Screw, 4-40 X .187 P.H.
57	70029-06	Screw, 4-40 X .375 P.H.
58	70030-06	Screw, 6-32 X .375 P.H.
59	70031-04	Screw, 8-32 X .250 P.H.
60	70031-08	Screw, 8-32 X .500 P.H.
61	70593-06	Screw, 6-32 X .375 S.H. Cap
62	70058-06	Screw, 6-32 X .375 H.H.
63	70030-08	Screw, 6-32 X .500 P.H.
64	70060-10	Screw, 10-32 X .625 H.H.
65	70168-10	Lockwasher, #10
66	70168-08	Lockwasher, #8
67	70076-04	Screw, 6-32 X .250 S.H.
68	70076-08	Screw, 6-32 X .500 S.H.
69	70168-06	Lockwasher, #4
70	70078-08	Screw, 10-32 X .500 S.H.
71	70168-04	Lockwasher, #4
72	70166-13	Nut, #1/4-20
73	19263	Label, Warning
74	19256-01	Ground Strap

Notes:

- (1) Final Assemblies:
 - #19000-01 - Standard 200 tpi, 2200 bpi, 2400 rpm
 - #19000-02 - Special Options other than Standard
- (2) Desk Top Kit contain the following:
 - #19151-03 Side Cover, Right
 - #19151-04 Side Cover, Left
 - #70030-04 Screw, 6-32 X .250 P.H.



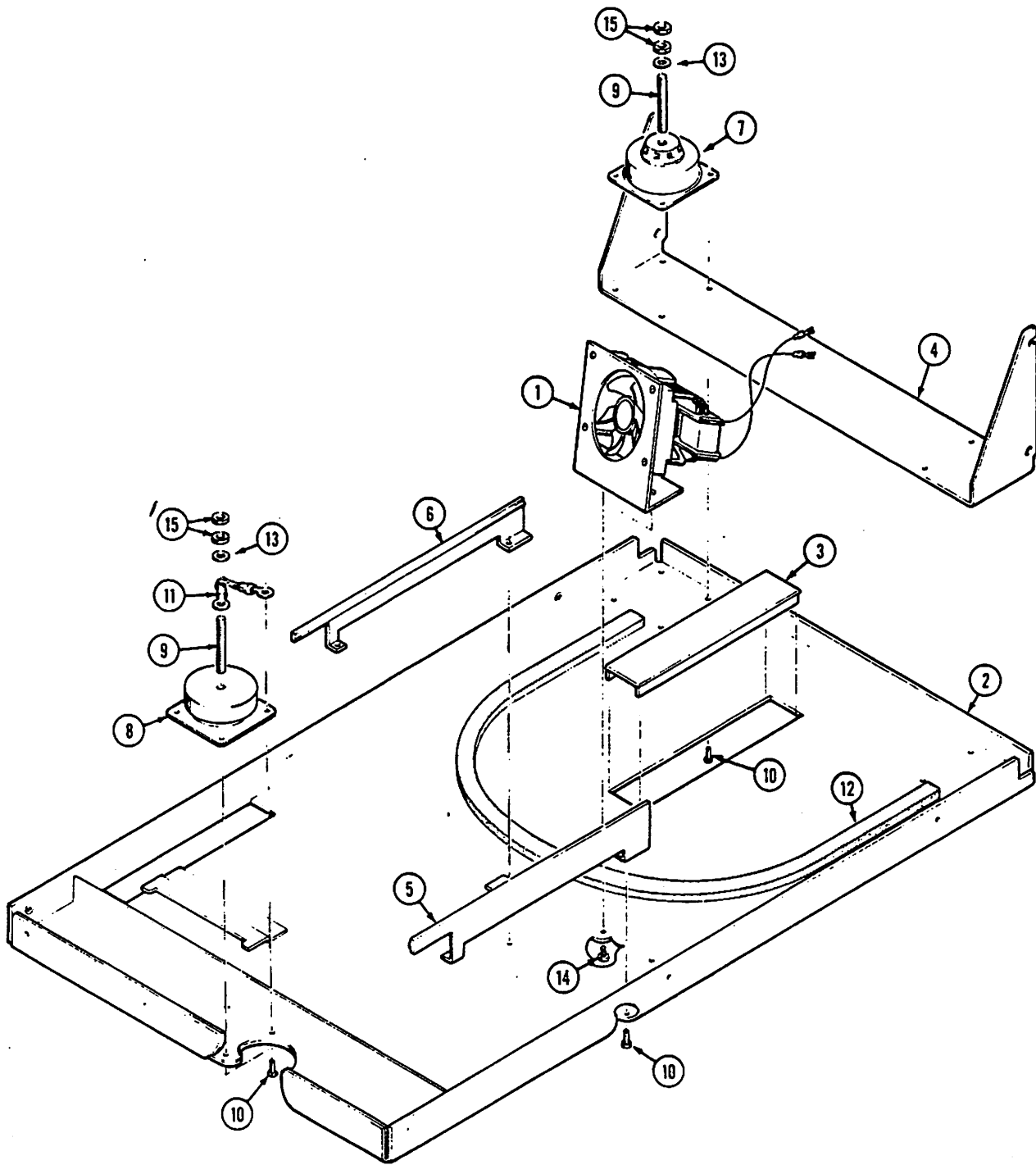


Figure 1-2
#19001-02 PAN ASSEMBLY

SECTION I.2

#19001-02 PAN ASSEMBLY

<u>ITEM</u>	<u>PART NO.</u>	<u>DESCRIPTION</u>
1	19013	Fan Assembly (see Section I.16)
2	19064-02	Pan
3	19178	Cover, Access
4	19102-02	Bracket, Front Panel Mounting
5	19224-01	Guide, Motherboard, Right
6	19224-02	Guide, Motherboard, Left
7	16887	Shock Mount, Front
8	16888	Shock Mount, Rear
9	16296-02	Stud, Shock Mount
10	71267-01	Rivit, .187 dia.
11	19154	Strap, Ground
12	16315	Gasket, Pan
13	70168-13	Lockwasher, #1/4
14	70030-04	Screw, 6-32 X .250 P.H.
15	70164-13	Nut, 1/4-20 Hex

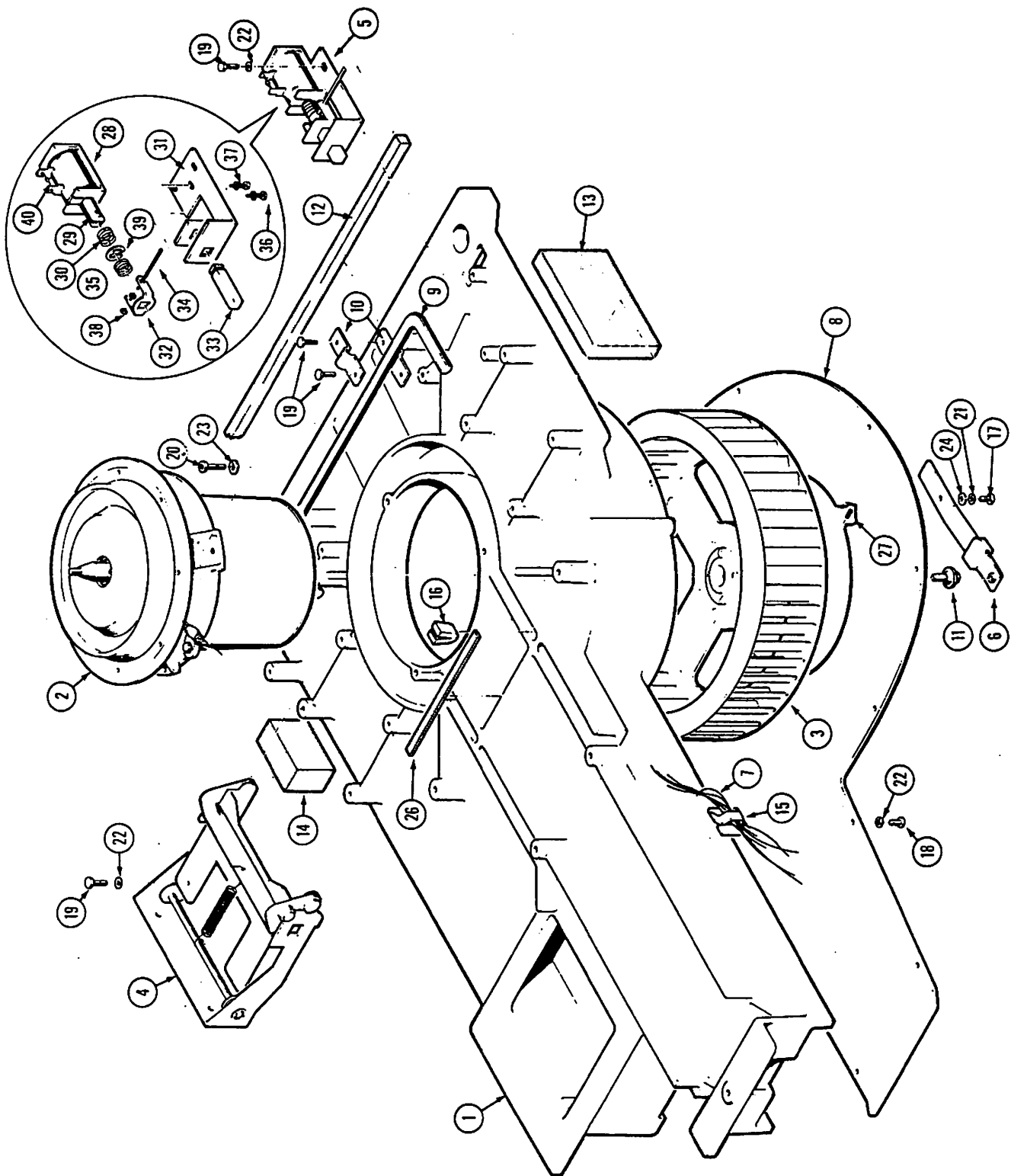


Figure 1-3
 #19002-XX BASE PLATE ASSEMBLY

SECTION I.3

#19002-XX BASE PLATE ASSEMBLY
(see notes)

ITEM	PART NO.	DESCRIPTION	ITEM	PART NO.	DESCRIPTION
1	19092	Base Plate	34	19132	Pin
2	19162-01	Spindle Assembly, 8-Sector Slots	35	19133	Spring, Shaft
	19162-02	Spindle Assembly, 12-Sector Slots	36	70030-03	Screw, 6-32 X .187 P.H.
	19162-03	Spindle Assembly, 14-Sector Slots	37	70737-06	Lockwasher, #6
	19162-04	Spindle Assembly, 16-Sector Slots	38	70170-03	Retaining Ring
	19162-05	Spindle Assembly, 20-Sector Slots	39	70170-09	Retaining Ring
	19162-06	Spindle Assembly, 24-Sector Slots	40	10101-01	Diode, A14F
	19162-07	Spindle Assembly, 32-Sector Slots (see Section I.14)			
3	16098	Blower Wheel, 1500 rpm			
	16099	Blower Wheel, 2400 rpm			
4	19155	Cartridge Retainer Assembly, Standard			
	19232	Cartridge Retainer Assembly, Special (see Section I.11)			
5	19128	Interlock Assembly, Cartridge Retainer			
6	16453	Ground Brush Assembly, Spindle			
7	19006	Cable Harness Assembly, Base Plate			
8	19090	Cover, Blower Housing			
9	19117	Rod, Link			
10	19120	Bearing, Cartridge Retainer			
11	16106	Ground Button, Spindle			
12	19163	Gasket, Base Plate to Front Panel			
13	16442	Gasket, Base Plate to Pan, Left			
14	16443	Gasket, Base Plate to Pan, Right			
15	42527-01	Clip, Flat Cable			
16	19198	Gasket, Base Plate Channel			
17	70030-04	Screw, 6-32 X .250 P.H.			
18	70059-04	Screw, 8-32 X .250 H.H.			
19	70059-06	Screw, 8-32 X .375 H.H.			
20	70079-12	Screw, 1/4-20 X .750 S.H.			
21	70168-06	Lockwasher, #6			
22	70168-08	Lockwasher, #8			
23	70168-13	Lockwasher, #1/4			
24	70169-06	Flatwasher, #6			
26	19197	Gasket, Base Plate to Bowl			
27	70295-08	Screw, 8-32 X .005 Set			
28	16369	Solenoid, Interlock			
29	15196	Core, Solenoid			
30	19112	Spring, Solenoid			
31	19129	Bracket, Solenoid			
32	19130	Yoke			
33	19131	Shaft			

Notes:

- (1) Base Plate Assemblies:
#19002-01 - 2400 rpm, Standard
#19002-02 - Special

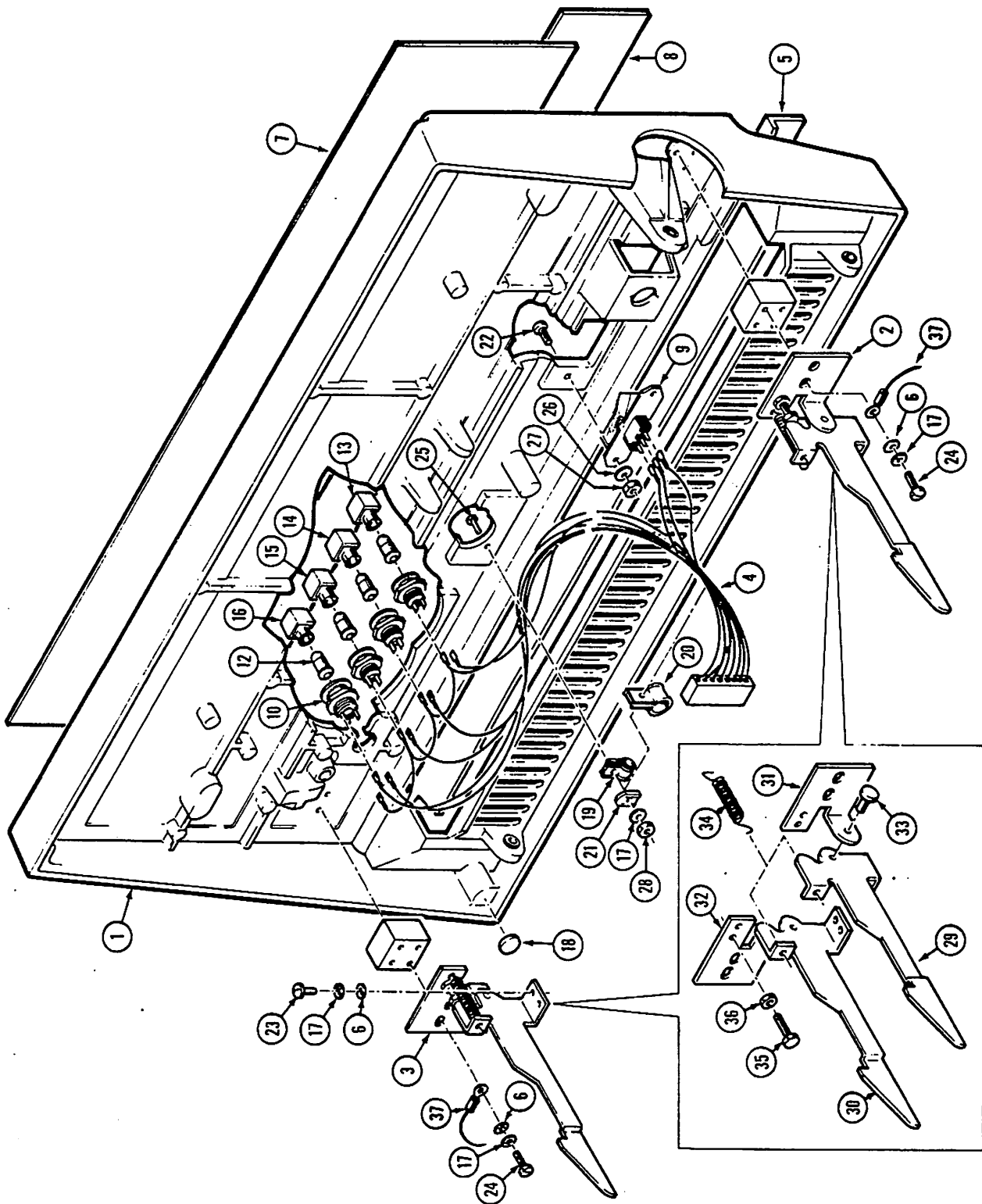


Figure 1-4
 #19004-XX FRONT PANEL ASSEMBLY

SECTION I.4

#19004-XX FRONT PANEL ASSEMBLY
(see notes)

ITEM	PART NO.	DESCRIPTION	ITEM	PART NO.	DESCRIPTION
1	19095-01	Front Panel, Charcoal	19	10535-11	Cable Clamp, .125 dia.
	19095-02	Front Panel, Lava Brown	20	10535-13	Cable Clamp, .188 dia.
2	19026-01	Latch Assembly, Left	21	10537	'D' Washer
3	19026-02	Latch Assembly, Right	22	70029-06	Screw, 4-40 X .375 P.H.
4	19009	Cable Assembly, Front Panel	23	70030-04	Screw, 6-32 X .250 P.H.
5	19100-01	Handle, Black	24	70030-06	Screw, 6-32 X .375 P.H.
	19100-02	Handle, Lava Brown	25	70030-08	Screw, 6-32 X .500 P.H.
6	70179-06	Flatwasher, #6	26	70168-04	Lockwasher, #4
7	19238-01	Top Trim Panel, White	27	70166-04	Nut, 4-40 Hex
	19238-04	Top Trim Panel, Creme	28	70166-06	Nut, 6-32 Hex
8	19146-01	Bottom Trim Panel, White	29	19098-01	Latch, Left
	19146-02	Bottom Trim Panel, Creme	30	19098-02	Latch, Right
9	10709	Switch, Rocker	31	19097-02	Latch Bracket, Left
10	70682	Switch/Indicator, Push	32	19097-01	Latch Bracket, Right
11	70683	Socket, Indicator	33	19099	Rivet, Shoulder
12	10545-01	Lamp, Midget Flange	34	16218	Spring
13	70684-01	Lens, White	35	70059-08	Screw, 8-32 X .500 H.H.
14	70684-02	Lens, Yellow	36	70166-08	Nut, 8-32 Hex
15	70684-03	Lens, Orange	37	19257-01	Ground Strap
16	70684-04	Lens, Red			
17	70168-06	Lockwasher, #6			
18	70230	Pad, Rubber			

Notes:

- (1) Front Panel Assemblies:
 #19004-02 - Special
 #19004-03 - Standard

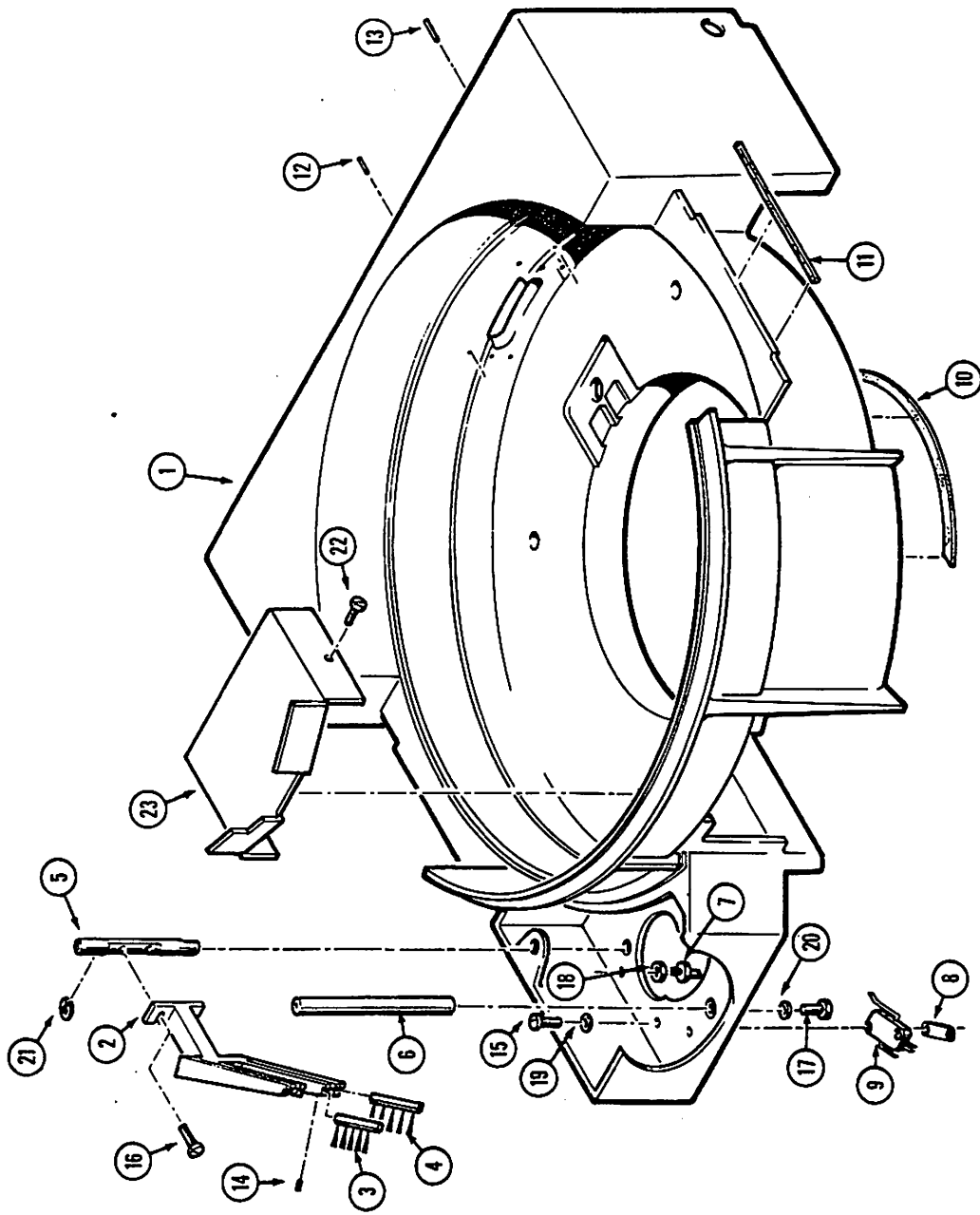


Figure 1-5
 #19007-XX BOWL ASSEMBLY

SECTION I.5
#19007-XX BOWL ASSEMBLY
(see notes)

<u>ITEM</u>	<u>PART NO.</u>	<u>DESCRIPTION</u>
1	19082-01	Bowl, Gray
2	16078	Brush Holder
3	16082-01	Brush, Top
4	16082-02	Brush, Bottom
5	16069	Shaft, Brush Mechanism
6	16304-01	Post, Duct
7	16073	Eccentric, Brush Mechanism
8	15251	Plate, Cartridge Switch
9	15300	Switch, Cartridge Interlock
10	16319	Gasket, Base Plate to Bowl
11	16465-00	Gasket, Cartridge Retainer to Bowl
12	70207-06	Dowl Pin
13	70371-16	Spring Pin
14	70292-04	Set Screw, 4-40 Hex Socket
15	70029-14	Screw, 4-40 X .875 P.H.
16	70030-06	Screw, 6-32 X .375 P.H.
17	70060-10	Screw, 10-32 X .625 H.H.
18	70166-06	Nut, 6-32 Hex
19	70168-04	Lockwasher, #4
20	70168-10	Lockwasher, #10
21	70170-10	Retaining Ring
22	70691	Screw, 6-20 S.M.
23	19164	Baffle, Bowl

Notes:

- (1) Bowl Assemblies:
#19007-01 - Sand Cast, Gray

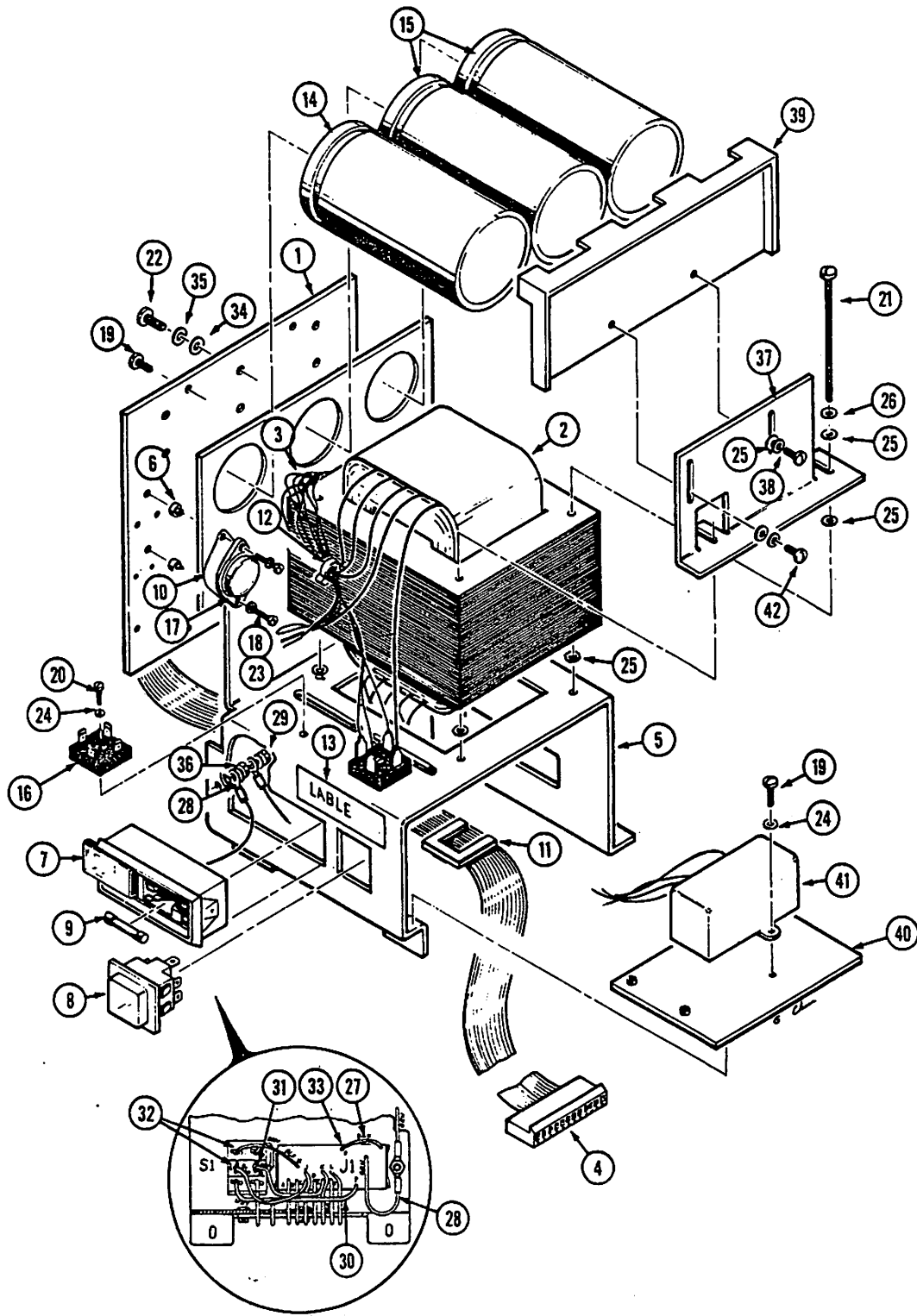


Figure 1-6

#19033-XX/19220-XX POWER SUPPLY ASSEMBLIES

SECTION I.6

#19033-XX/19220-XX POWER SUPPLY ASSEMBLIES
(see notes)

ITEM	PART NO.	DESCRIPTION	ITEM	PART NO.	DESCRIPTION
1	12035-XX	Regulator PCB Assembly (see Section II.3)	20	70030-08	Screw, 6-32 X .500 P.H.
2	19027	Transformer Assembly (Notes 2 & 3)	21	70031-52	Screw, 8-32 X 3.250 P.H.
	19221	Transformer Assembly (Notes 4 & 5)	22	70032-06	Screw, 10-32 X .375 P.H.
3	19014	Cable Harness Assembly	23	70168-04	Lockwasher, #4
4	19015	Cable Assembly, Output Power	24	70168-06	Lockwasher, #6
5	19046-01	Chassis	25	70737-08	Lockwasher, #8
6	19047	Spacer, PCB	26	70169-08	Flatwasher, #8
7	42653-01	Connector, Voltage Select, Fused	27	19204	Wire Assembly, Black
8	42516-03	Switch, Push Button	28	19136	Wire Assembly, Green
9	10604-04	Fuse, 3A 250V, Fast Blow (Notes 3 & 5)	29	70701-06	Keplnut, .6-32
	10604-06	Fuse, 6A 250V, Fast Blow (Notes 2 & 4)	30	19160-01	Wire Assembly, White
10	10612-02	Insulator, Transistor	31	19160	Wire Assembly, White
11	42527-01	Clip, Fast Cable	32	19161	Wire Assembly, Black
12	10538-01	Cable-Tie	33	10567-19	Tubing, Heat Shrink
13	19109	Label, Caution	34	70179-10	Flatwasher, #10
14	10440-18	Capacitor, 18000uF 25V	35	70168-10	Lockwasher, #10
15	10069-02	Capacitor, 25000uF 30V	36	70737-06	Lockwasher, #6
16	10162-01	Rectifier Bridge, 100V 30A	37	19202	Bracket, Capacitor Support
17	10116-02	Transistor, 2N5885	38	70168-08	Lockwasher, #8
18	70029-10	Screw, 4-40 X .625 P.H.	39	19206	Clamp, Capacitor
19	70030-04	Screw, 6-32 X .250 P.H.	40	19203	Plate, Filter Mount
			41	19205	Line Filter, 10A
			42	70031-10	Screw, 8-32 X .625 P.H.

Notes:

(1) Power Supply Assemblies:

#19033-01 - 115VAC +10%/-10%

#19033-02 - 230VAC +10%/-10%

#19220-01 - 115VAC +10%/-15%

#19220-02 - 230VAC +10%/-15%

(2) Used on #19033-01 only.

(3) Used on #19033-02 only.

(4) Used on #19220-01 only.

(5) Used on #19220-02 only.

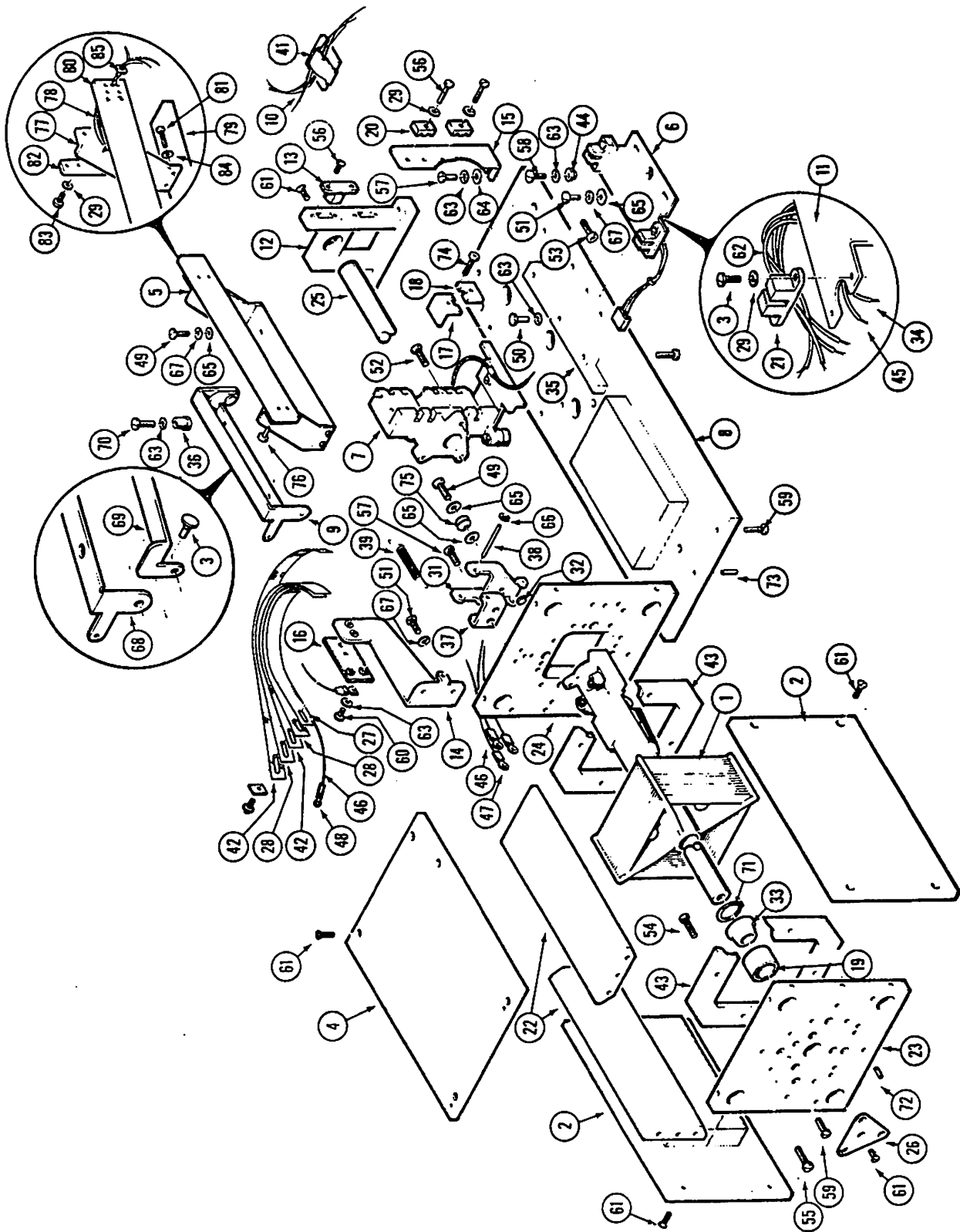


Figure 1-7
 #19003 HEAD POSITIONER ASSEMBLY

SECTION I.7

#19003 HEAD POSITIONER ASSEMBLY

ITEM	PART NO.	DESCRIPTION	ITEM	PART NO.	DESCRIPTION
1	16020-01	Drive Tube Assembly (see Section I.8)	41	42527-01	Clip, Flat Cable
2	16243	Side Plate Assembly	42	16564	Conductor, Coil
3	70029-04	Screw, 4-40 X .250 P.H.	43	16592	Ring, Short Circuit
4	16244	Top Plate Assembly	44	16344	Eccentric, Head Load Bails
5	19017	Scale Assembly	45	10562-06	Wire, #26 Blue
6	19072	Sensor Assembly	46	10558-02	Wire, #16 Black
7	19083	Head Block Assembly (see Section I.9)	47	10616-04	Terminal, Ring
8	19086	Bottom Plate Assembly	48	10514-13	Terminal, Ring
9	19088	Guide Bail Assembly	49	70031-10	Screw, 8-32 X .625 P.H.
10	19141	Cable Assembly, Coil	50	70058-10	Screw, 6-32 X .625 H.H.
11	19073	Bracket, Sensor	51	70031-06	Screw, 8-32 X .375 P.H.
12	19066	Support, Guide Shaft	52	70076-08	Screw, 6-32 X .500 S.H. Cap
13	19067	Cam, Head Load	53	70077-10	Screw, 8-32 X .625 S.H. Cap
14	19068	Bracket, Cable	54	70022-06	Screw, 8-32 X .375 Fil. H.
15	19075	Bracket, Head Cable	55	70022-08	Screw, 8-32 X .500 Fil. H
16	19076	Board, Terminal	56	70029-06	Screw, 4-40 X .375 P.H.
17	19077	Bracket, Head Clamp	57	70030-06	Screw, 6-32 X .375 P.H.
18	19078	Plate, Head Clamp	58	70030-08	Screw, 6-32 X .500 P.H.
19	19144	Bumper, Rear Stop	59	70031-08	Screw, 8-32 X .500 P.H.
20	16119	Clamp, R/W Head Leads	60	70030-04	Screw, 6-32 X .250 P.H.
21	42157-01	Optical Switch, Slotted	61	70040-06	Screw, 8-32 X .375 F.H.
22	16189	Pole	62	19189	Cable Assembly, Sensor
23	16190	Plate, Rear	63	70168-06	Lockwasher, #6
24	16191	Plate, Front	64	70179-06	Flatwasher, #6 Narrow
25	16192	Shaft, Carriage	65	70169-08	Flatwasher, #8
26	16195	Plate, Shaft	66	70170-02	Retaining Ring
27	16200	Conductor, Coil	67	70168-08	Lockwasher, #8
28	16205	Insulator, Conductor	68	16220	Bail, Guide
29	70168-04	Lockwasher, #4	69	19111	Bracket, Guide
30	16207	Clamp, Conductor	70	70030-14	Screw, 6-32 X .875 P.H.
31	16208	Arm, Stop	71	70340-13	Retaining Ring
32	16210	Bumper, Carriage	72	70369-09	Spring Pin, .162 X .562 Long
33	16198	Bushing, Spring	73	70371-08	Spring Pin, .131 X .500 Long
34	10562-04	Wire, #26 Green	74	70075-12	Screw, 4-40 X .750 H.H. Cap
35	16212	Bar, Guide	75	42543-01	Grommet
36	16213	Eccentric, Guide Bail	76	70029-02	Screw, 4-40 X .125 P.H.
37	16215	Stop, Bracket	77	19070-01	Flexure, Scale Mount, Right
38	16216	Shaft, Stop	77	19070-02	Flexure, Scale Mount, Left
39	16218	Spring, Guide	78	19227	Cable Assembly, Scale
40	16248	Machine Screw, Nylon	79	19071	Base, Scale
			80	99773	Scale
			81	70075-05	Screw, 4-40 X .312 S.H. Cap

<u>ITEM</u>	<u>PART NO.</u>	<u>DESCRIPTION</u>
82	19156	Bracket, Scale Link
83	70029-03	Screw, 4-40 X .188 P.H. and
	70029-04	Screw, 4-40 X .250 P.H.
84	70179-04	Flatwasher, #4 Narrow
85	10528-11	Insulator
86	19017	Scale Assembly



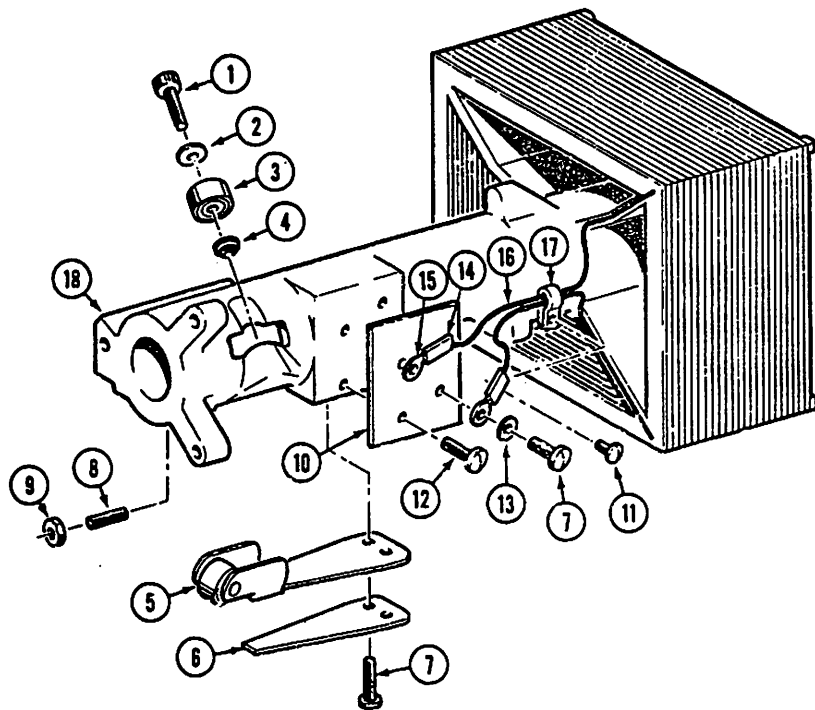


Figure 1-8
#16020-01 DRIVE TUBE ASSEMBLY

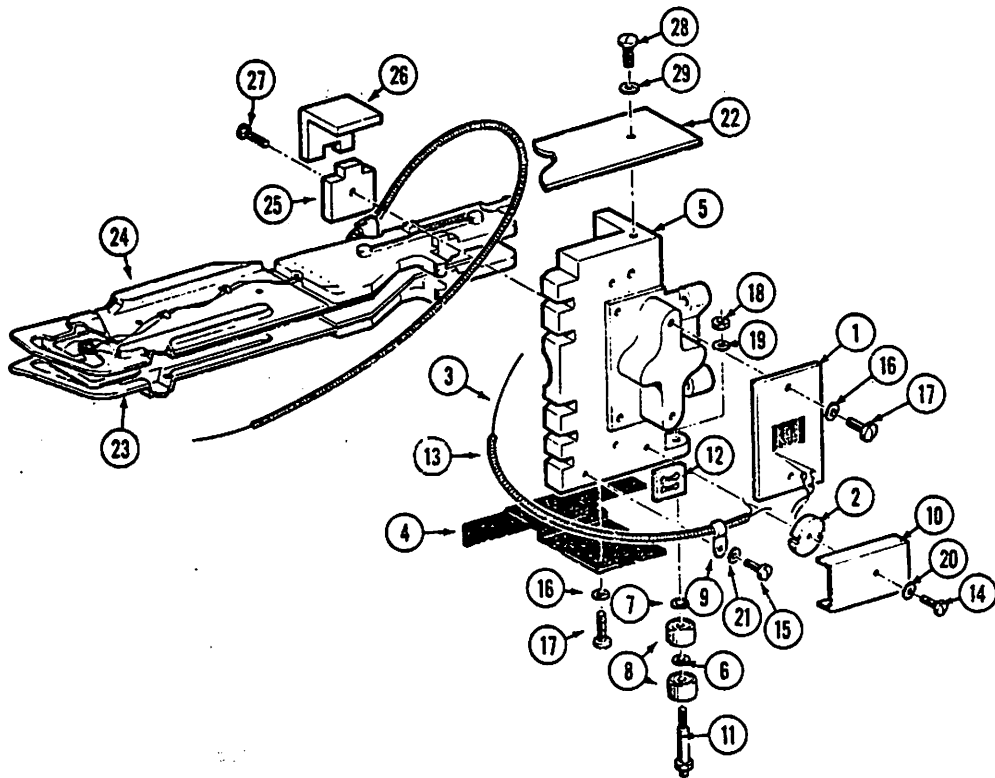


Figure 1-9
#19083 HEAD BLOCK ASSEMBLY

SECTION I.8

#16020-01 DRIVE TUBE ASSEMBLY

ITEM	PART NO.	DESCRIPTION	ITEM	PART NO.	DESCRIPTION
1	70076-10	Screw, 6-32 X .625 H.H. Cap	13	70168-04	Lockwasher, #4
2	16446	Washer, Bearing	14	10567-25	Tubing, Heat Shrink
3	16224	Guide Bearing	15	10637	Terminal, Wire
4	16445	Bearing Mount	16	10568-18	Sleeve, Teflon
5	16021	Pre-load Spring Assembly	17	10535-15	Wire Clip
6	16023	Spring, Lief (8 used)	18	16229-01	Drive Coil Assembly
7	70029-04	Screw, 4-40 X .250 P.H.	Notes:		
8	70357-08	Set Screw, 4-40 X .500 S.H.	(1) The Drive Tube Assembly is part of the Head Positioner Assembly, see Section I.7.		
9	70166-04	Nut, 4-40 Hex			
10	16250	PC Board			
11	70027-03	Screw, 2-56 X .187 P.H.			
12	70029-03	Screw, 4-40 X .187 P.H.			

SECTION I.9

#19083 HEAD BLOCK ASSEMBLY
(see notes)

ITEM	PART NO.	DESCRIPTION	ITEM	PART NO.	DESCRIPTION
1	99772	Slider	20	70634-01	Lockwasher, #1
2	16032	Transformer, Slider	21	70169-02	Lockwasher, #2
3	19228	Cable, Transformer	22	19170	Shipping Clamp, R/W Head
4	19074	Shutter, Sensor	23	25127-01	Lower R/W Head Assembly, 100 tpi 1500 rpm
5	19085	Block, Head Mount		25128-01	Lower R/W Head Assembly, 100 tpi 2400 rpm
6	16211-01	Spacer, .0149		25129-01	Lower R/W Head Assembly, 200 tpi 2400 rpm
7	16211-02	Spacer, .0299			
8	16224	Bearing	24	25127-02	Upper R/W Head Assembly, 100 tpi 1500 rpm
9	10535-23	Clamp		25128-02	Upper R/W Head Assembly, 100 tpi 2400 rpm
10	16522	R.F. Shield		25129-02	Upper R/W Head Assembly, 200 tpi 1500 rpm
11	16188	Eccentric	25	19078	Plate, Head Clamp
12	11472	Terminal Board	26	19077	Bracket, Head Clamp
13	19260	Spring, Cable	27	70075-12	Screw, 4-40 X .750 S.H. Cap
14	70534-06	Screw, 1-72 X .375 P.H.	28	70029-03	Screw, 4-40 X .187 P.H.
15	70535-04	Screw, 2-56 X .250 P.H.	29	70168-04	Lockwasher, #4
16	70634-04	Lockwasher, #4			
17	70537-06	Screw, 4-40 X .375 P.H.			
18	70166-06	Nut, #6 Hex			
19	70168-06	Lockwasher, #6			

Notes:

- (1) The Head Block Assembly is part of the Head Positioner Assembly, see Section I.7.
- (2) Item 22 thru 29 NOT part of the Head Block Assembly. Shown here for convenience only.

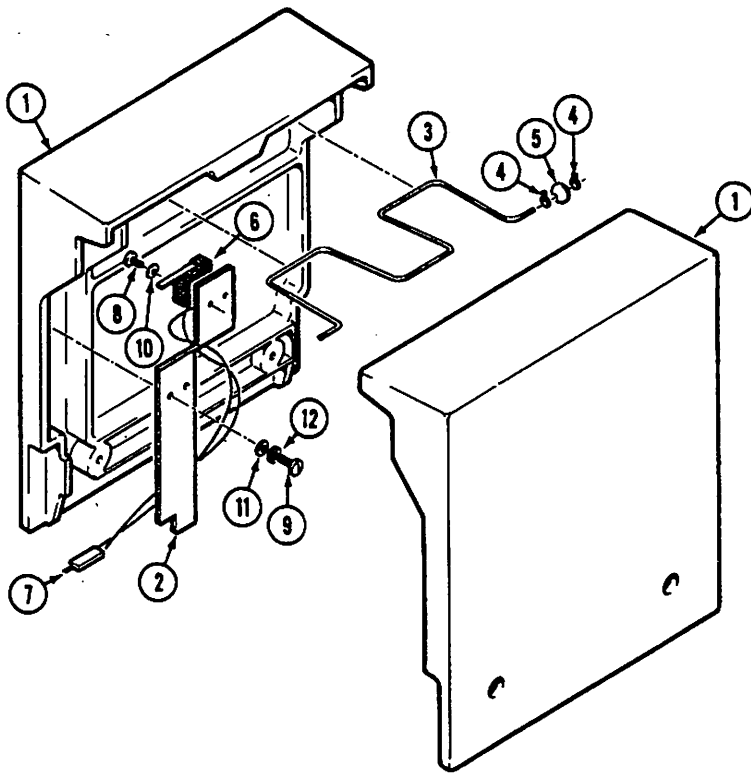


Figure 1-10
 #19005-XX/19233-XX CARTRIDGE RETAINER ASSEMBLY

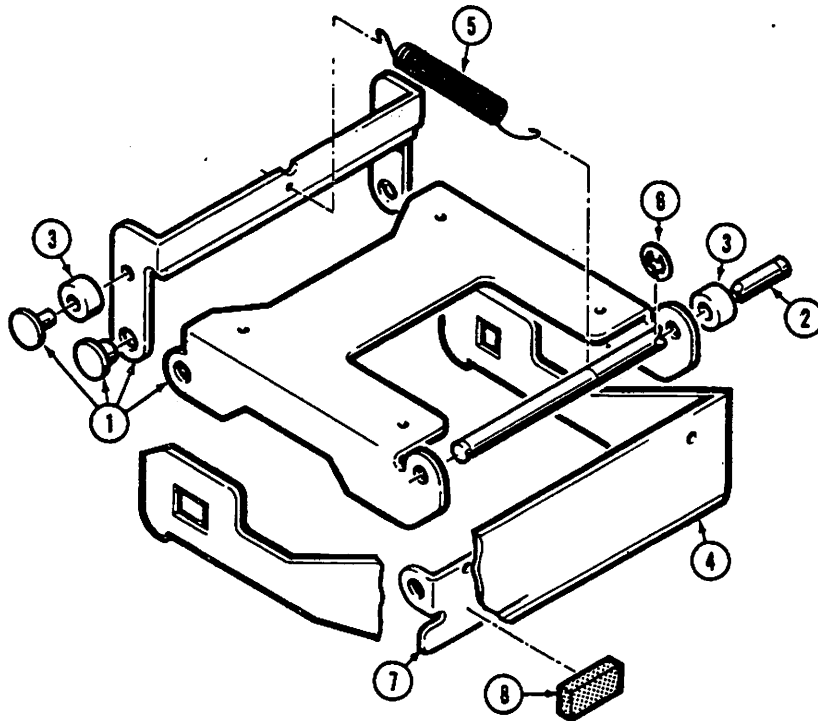


Figure 1-11
 #19232/19155 CARTRIDGE RETAINER DETENT ASSEMBLY

SECTION I.10

#19005-XX/19233-XX CARTRIDGE RETAINER ASSEMBLY
(see notes)

ITEM	PART NO.	DESCRIPTION
1	19188-02	Cartridge Retainer (Note 2)
	19236-02	Cartridge Retainer (Note 3)
2	19108	Bracket, Switch
3	16135	Torsion Spring (Note 2)
	19235	Torsion Spring (Note 3)
4	19159	Retainer, Roller
5	16137	Roller
6	42542	Switch
7	19143	Cable Assembly, Switch
8	70027-06	Screw, 2-56 X .375 P.H.
9	70030-04	Screw, 8-32 X .250 P.H.
10	70168-02	Lockwasher, #2
11	70737-06	Lockwasher, #6
12	70179-06	Flatwasher, #6 Narrow

Notes:

- (1) Cartridge Retainer Assemblies:
 #19005-03 - Standard, Left
 #19005-04 - Standard, Right
 #19223-03 - Special, Left
 #19223-04 - Special, Right
- (2) Used on #19005-XX assemblies only.
- (3) Used on #19223-XX assemblies only.

SECTION I.11

#19155/19232 CARTRIDGE RETAINER DETENT ASSEMBLY
(see notes)

ITEM	PART NO.	DESCRIPTION
1	19127	Bracket
2	19119	Shaft
3	19113	Roller, Detent
4	19123	Lever
5	19125	Spring, Extension
6	70170-09	Retaining Ring
7	19233	Stop, Retainer (Note 2)
8	19234	Pad, Stop (Note 2)

Notes:

- (1) Cartridge Retainer Detent Assemblies:
 #19155 - Standard
 #19232 - Special
- (2) Used on #19232 assembly only.

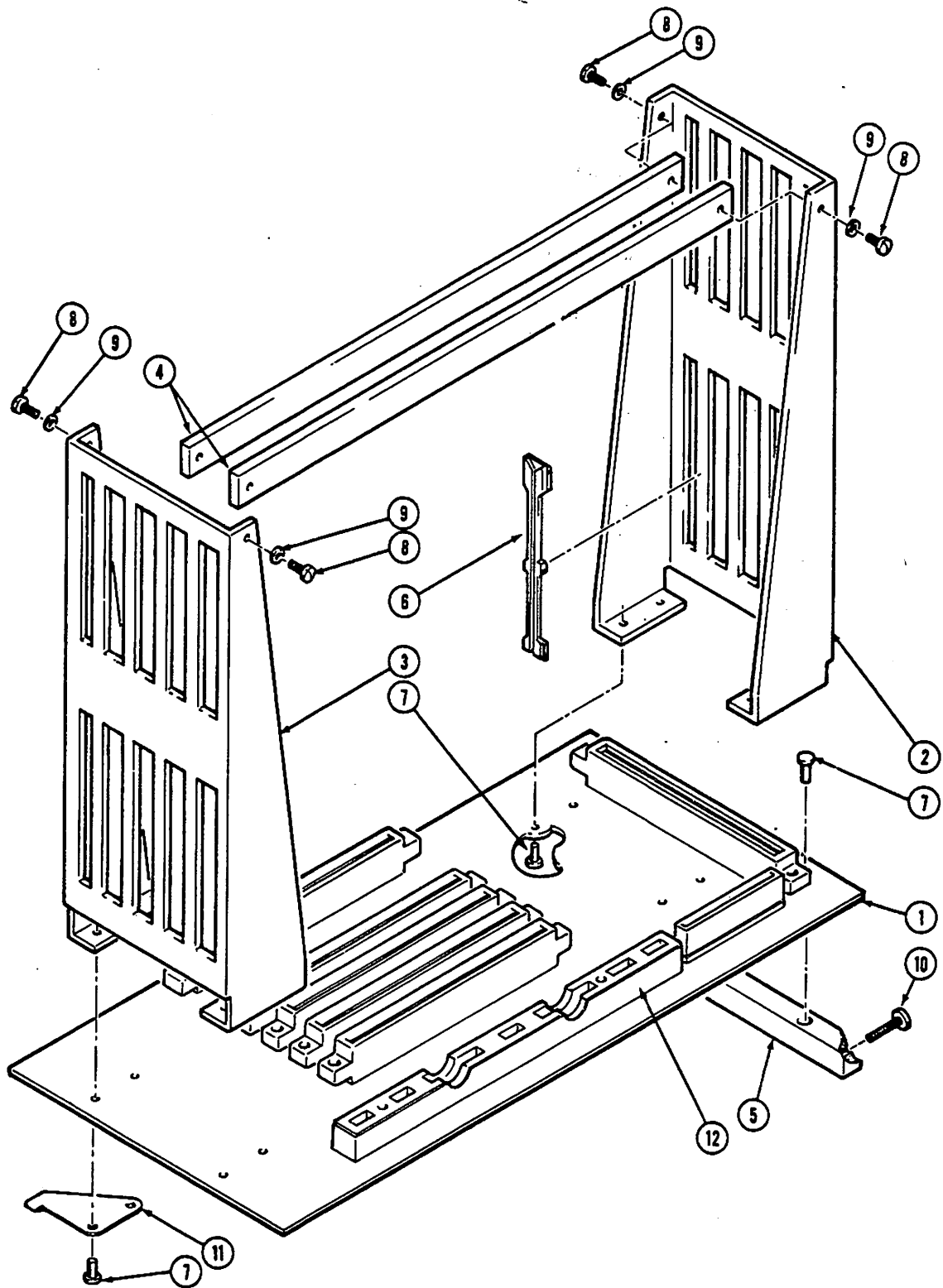


Figure 1-12
#19008 CARD CAGE ASSEMBLY

SECTION I.12

#19008 CARD CAGE ASSEMBLY

<u>ITEM</u>	<u>PART NO.</u>	<u>DESCRIPTION</u>
1	12023	Motherboard PCB Assembly (see Section II.1)
2	19036-01	Bracket, Card Mount, Left
3	19036-02	Bracket, Card Mount, Right
4	19037	Brace, Card Bracket
5	19039	Bracket, Motherboard Stop
6	42519-01	Guide, Card
7	70424-01	Rivet
8	70030-04	Screw, 6-32 X .250 P.H.
9	70168-06	Lockwasher, #6
10	71250-02	Screw, 6-32 Captive
11	19179	Stop Spring, Motherboard
12	19174	Block, Connector Keying

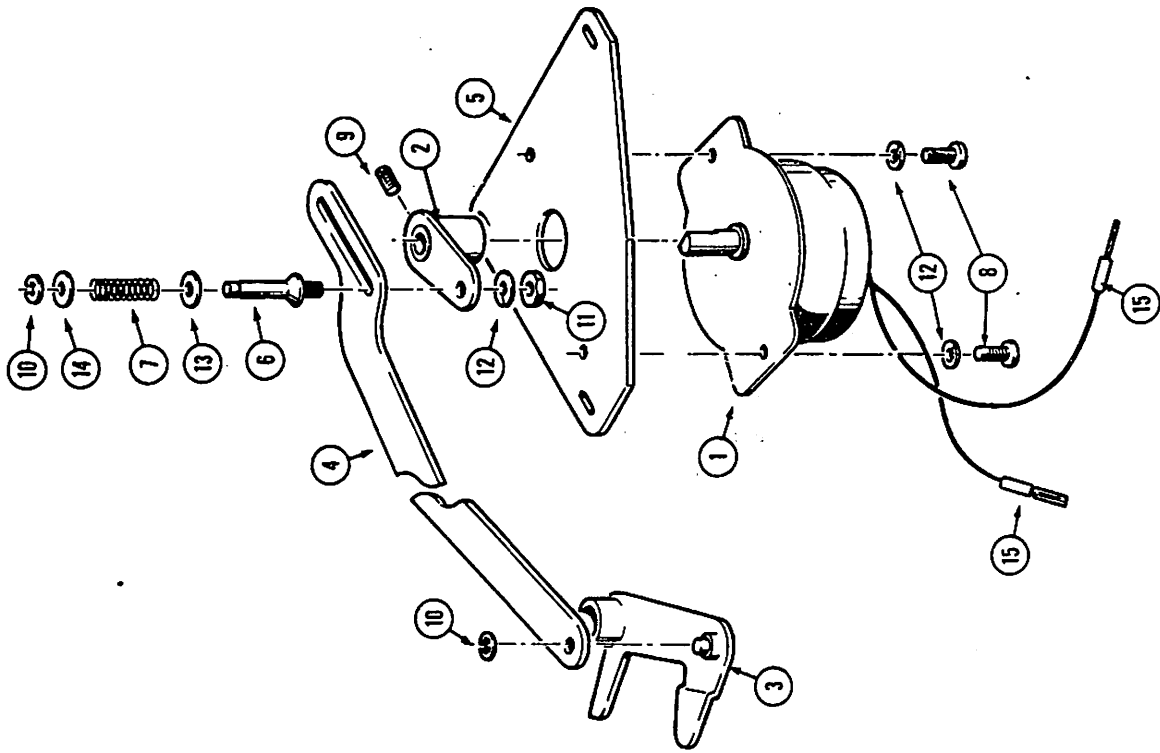


Figure 1-13
#19019 BRUSH MOTOR ASSEMBLY

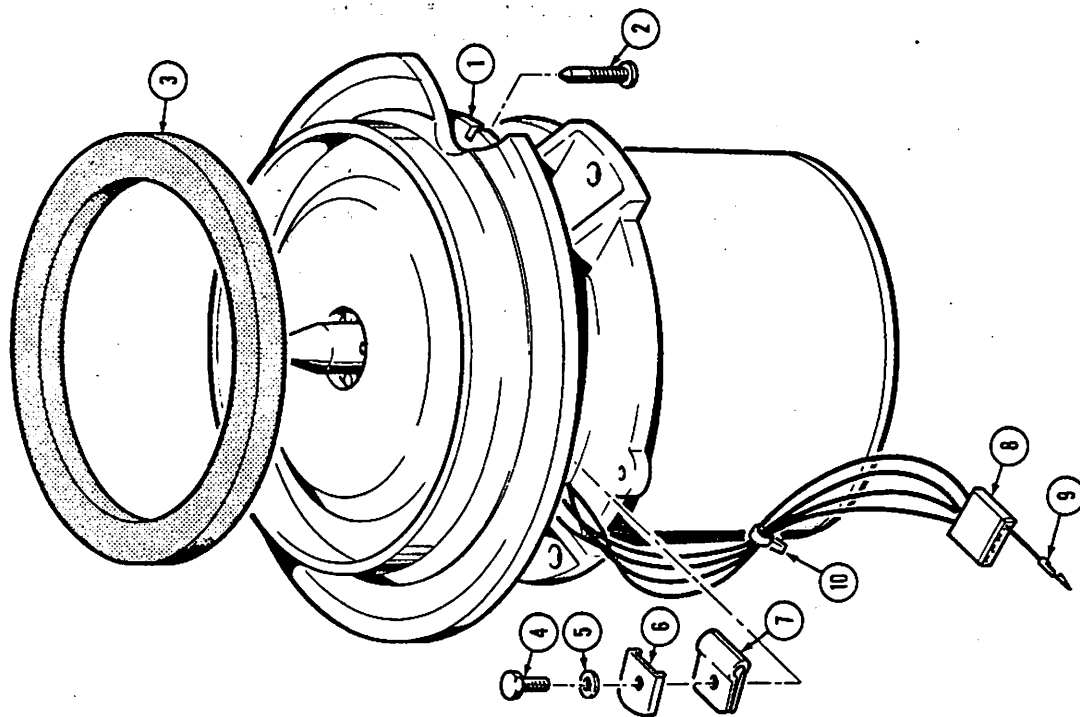


Figure 1-14
#19162-XX SPINDLE ASSEMBLY

SECTION I.13

#19019 BRUSH MOTOR ASSEMBLY

ITEM	PART NO.	DESCRIPTION
1	19167	Motor, Brush
2	19135	Arm, Brush Mechanism
3	16068	Lever, Brush Mechanism
4	16070	Link, Brush Mechanism
5	19147	Plate, Motor Mount
6	16071	Pivot, Brush Link
7	16083	Spring, Compression
8	70021-04	Screw, 6-32 X .250 Fil. H
9	70294-04	Set Screw, 6-32 X .250 C.P.
10	70170-04	Retaining Ring
11	70166-06	Nut, 6-32 Hex
12	70168-06	Lockwasher, #6
13	70169-06	Flatwasher, #6
14	70179-06	Flatwasher, #6 Narrow
15	42537-02	Terminal, Spade

SECTION I.14

#19162-XX SPINDLE ASSEMBLY
(see notes)

ITEM	PART NO.	DESCRIPTION
1	16105-08	Index/Sector Ring, 8-Slots
	16105-12	Index/Sector Ring, 12-Slots
	16105-14	Index/Sector Ring, 14-Slots
	16105-16	Index/Sector Ring, 16-Slots
	16105-20	Index/Sector Ring, 20-Slots
	16105-24	Index/Sector Ring, 24-Slots
	16105-32	Index/Sector Ring, 32-Slots
2.	70030-06	Screw, 6-32 X .500 P.H.
3	15242	Magnetic Ring
4	70058-05	Screw, 6-32 X .312 H.H.
5	70168-06	Lockwasher, #6
6	10537	'D' Washer
7	10535-13	Cable Clamp
8	10872-04	Connector Housing, 4-Pin Locking
9	10873	Connector Pin
10	10538-01	Cable Tie

(2) Spindle Assemblies:
 #19162-01 - 8-Sector
 #19162-02 - 12-Sector
 #19162-03 - 14-Sector
 #19162-04 - 16-Sector
 #19162-05 - 20-Sector
 #19162-06 - 24-Sector
 #19162-07 - 32-Sector

Notes:

- (1) Spindle parts not shown or listed are NOT field replaceable.

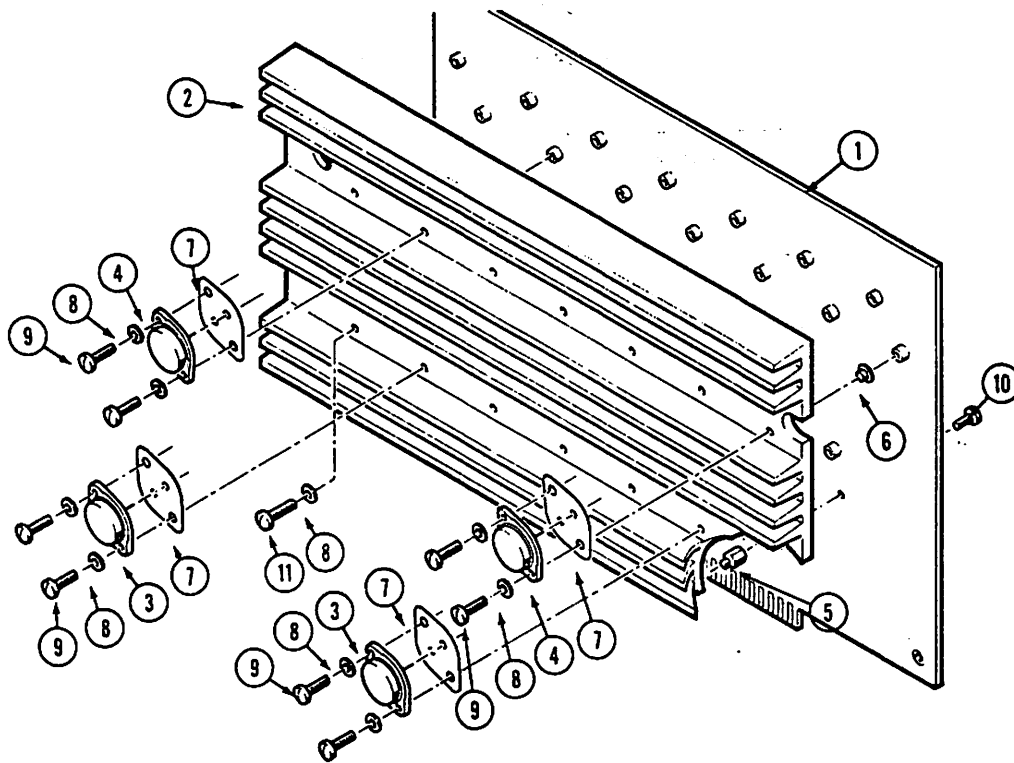


Figure 1-15
#19023 POWER DRIVER ASSEMBLY

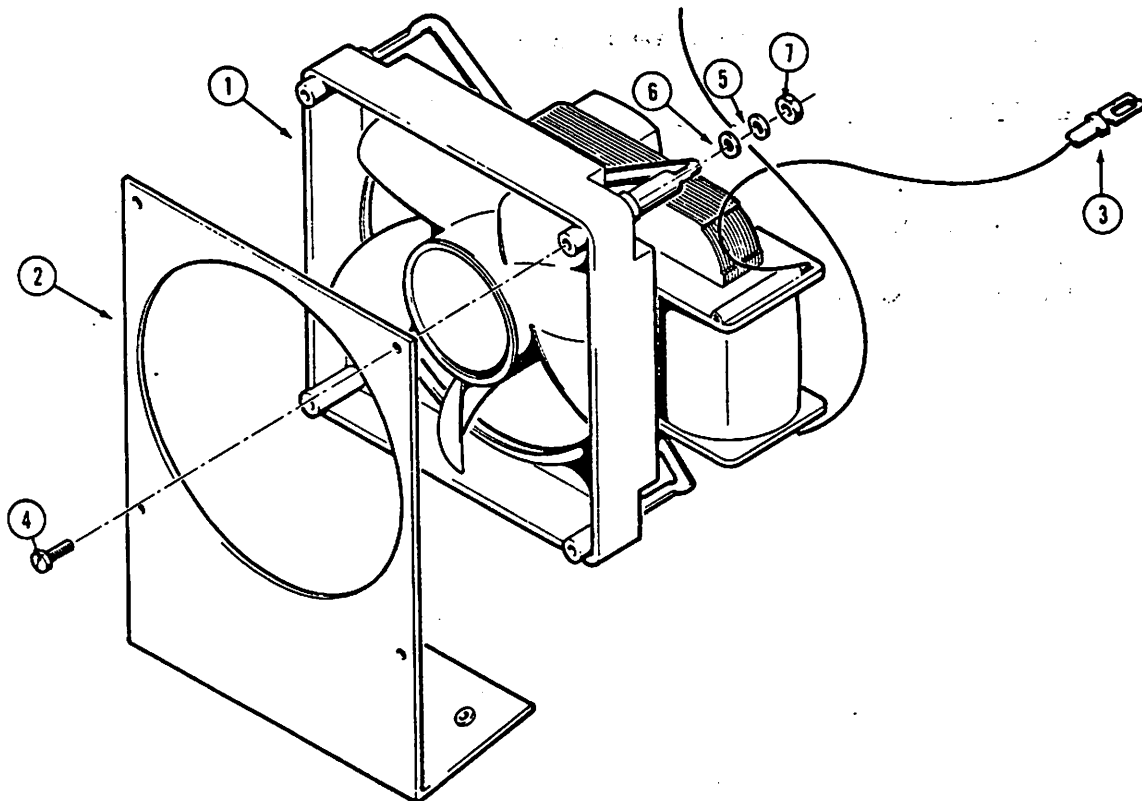


Figure 1-16
#19013 FAN ASSEMBLY

SECTION I.15

#19032 POWER DRIVER ASSEMBLY

<u>ITEM</u>	<u>PART NO.</u>	<u>DESCRIPTION</u>
1	12062-XX	Power Driver PCB Assembly (see Section II.5)
2	19043	Heatsink
3	10479-01	Transistor, 2N6058
4	10480-01	Transistor, 2N6051
5	19107	Standoff, Heatsink
6	10528-12	Insulator, Screw
7	100025-04	Insulator, Transistor
8	70737-04	Lockwasher, #4
9	70029-10	Screw, 4-40 X .625 P.H.
10	70029-04	Screw, 4-40 X .250 P.H.
11	70029-06	Screw, 4-40 X .375 P.H.

SECTION I.16

#19013 FAN ASSEMBLY

<u>ITEM</u>	<u>PART NO.</u>	<u>DESCRIPTION</u>
1	42557-02	Fan, 24VAC
2	19055	Bracket, Fan Mount
3	42537-02	Terminal, Spring Spade
4	70030-14	Screw, 6-32 X .875 P.H.
5	70179-06	Flatwasher, #6 Narrow
6	70168-06	Lockwasher, #6
7	70166-06	Nut, 6-32 Hex

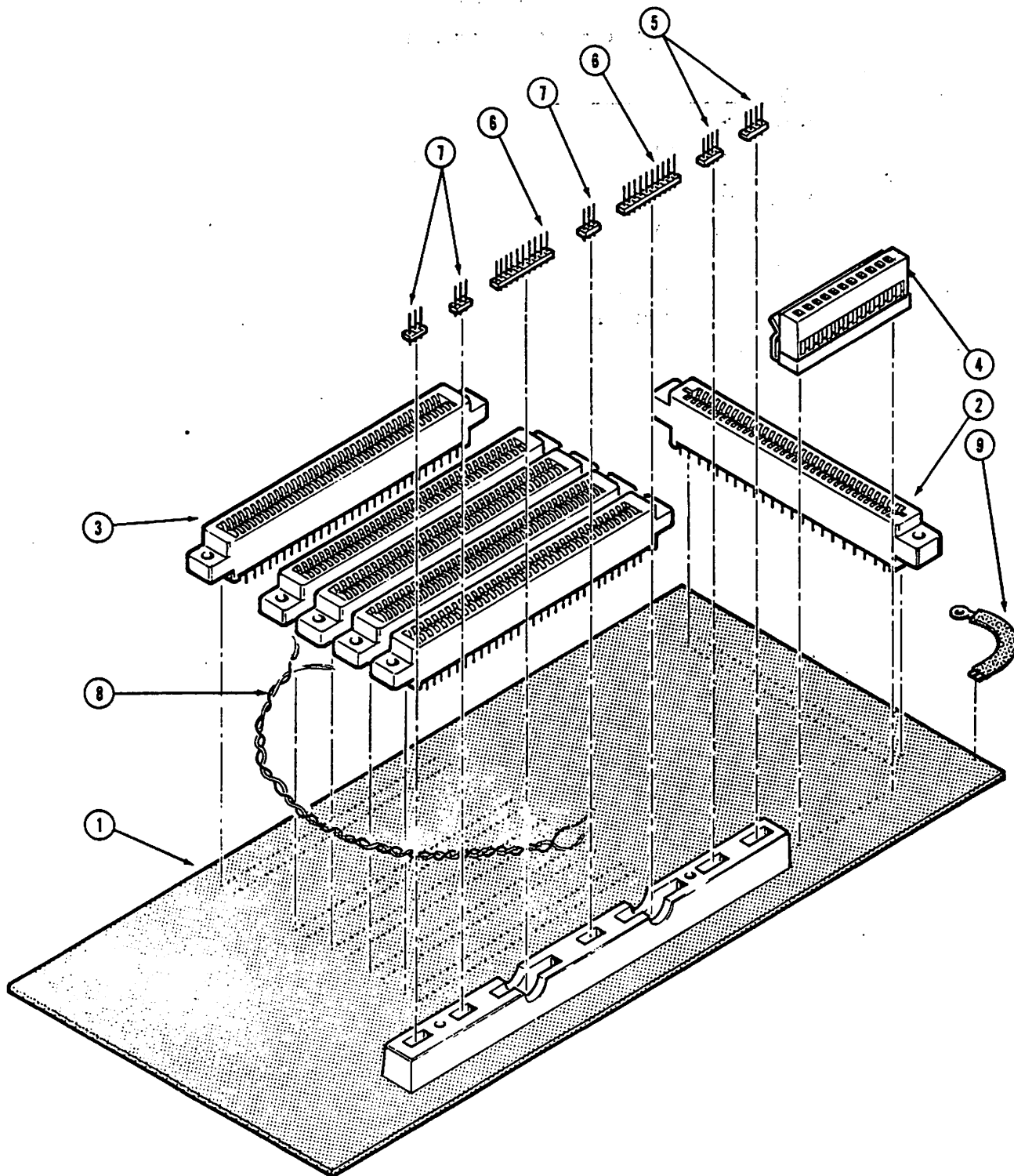


Figure 2-1
 #12023 MOTHERBOARD ASSEMBLY

SECTION II.1

#12023C MOTHERBOARD PCB ASSEMBLY

<u>ITEM</u>	<u>PART NO.</u>	<u>DESCRIPTION</u>
1	12022	Motherboard PCB
2	13015-01	Connector, 56-Pin (J1)
3	42508-30	Connector, 60-Pin (J2,J3,J4,J5,J6)
4	42509-12	Connector, 12-Pin (J7)
5	42514-04	Connector, 4-Pin (J8,J9)
6	42514-10	Connector, 10-Pin (J10,J12)
7	42514-03	Connector, 3-Pin (J11,J13,J14)
8	10552-19	Cable, T.P. Black/White
9	19208	Ground Strap Assembly

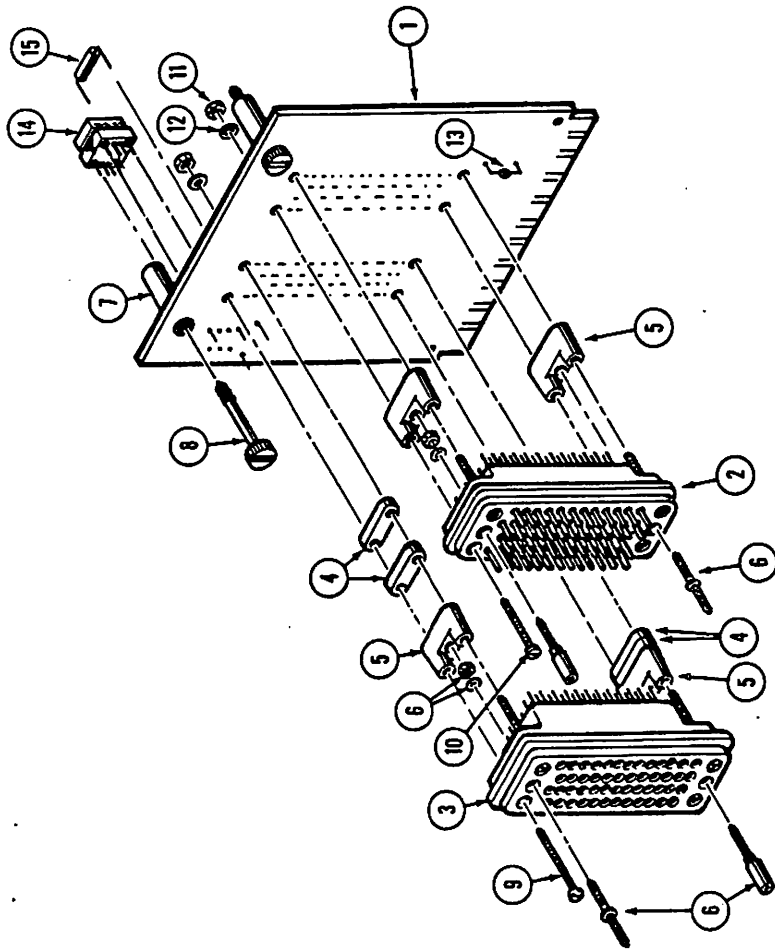


Figure 2-2
#12025 I/O PCB ASSEMBLY

SECTION II.2

#12025A I/O PCB ASSEMBLY

<u>ITEM</u>	<u>PART NO.</u>	<u>DESCRIPTION</u>
1	12024	I/O PCB
2	11566-01	Connector, 50-Pin Mounted (M)
3	11566-02	Connector, 50-Pin Mounted (F)
4	15366	Spacer, Connector
5	15384	Spacer, Connector
6	10874	Jackscrew Set, Polarized
7	19041	Spacer, Captive Screw
8	71250-05	Screw, Captive
9	70020-16	Screw, 4-40 X 1.000 Fil. H.
10	70020-12	Screw, 4-40 X .750 Fil. H.
11	70166-04	Nut, 4-40 Hex
12	70168-04	Lockwasher, #4
13	10101-01	Diode, A14A
14	10306	IC, 75452
15	10038-01	Capacitor, .1uF 50V

SECTION II-3

#12035-XX XDC REGULATOR PCB ASSEMBLY
(see notes)

PART NO.	DESCRIPTION	LOCATION(S)	PART NO.	DESCRIPTION	LOCATION(S)
<u>RESISTORS</u>			<u>TRANSISTORS</u>		
10002-85	750 Ohm 1/8W 1%	D34, E25	10109	2N3643	B24
10003-01	1K 1/8W 1%	D46, E27	10105	2N3644	E13
10003-26	1.82K 1/8W 1%	E24	10399	MJE5191	E10, H60
10003-34	2.21K 1/8W 1%	D35	10398	MJE5194	H10
10004-51	33.2K 1/8W 1%	E26		<u>I.C.'s</u>	
10429-01	10 Ohm 1/4W 2%	D44, E47			
10429-17	47 Ohm 1/4W 2%	H21, H22	10348	NE555V	D20
10429-25	100 Ohm 1/4W 2%	B20, B55, E39 E59	10321	LM723C	D30
10429-49	1K 1/4W 2%	B19, B22	10164	MC1458-P1	E30
10429-58	2.4K 1/4W 2%	E17	10489	MC1468L	H24
10429-65	4.7K 1/4W 2%	D19		<u>OTHER SEMICONDUCTORS</u>	
10429-73	10K 1/4W 2%	D21	10744-01	Rectifier, C230F	E63
10429-87	39K 1/4W 2%	E16	42201-01	Thyristor, Bidirection	B15
10429-93	68K 1/4W 2%	D22		<u>MISCELLANEOUS</u>	
10030-11	1.1 Ohm 1/2W 5%	H32, H33	12034-01	Regulator PCB	---
10032-10	100 Ohm 1/2W 5%	D37-	10781-09	Terminal Block, 9-Position	TB1
10042-68	680 Ohm 1W 5%	D26	42522-12	Terminal Strip, 12-Position	TB2
10217-10	101 Ohm 2W 3%	D48	10500	Terminal, T.P.	TP1, TP2, TP3
10052-68	680 Ohm 2W 5%	A46	42520-01	Jack, Three Hole	B59, B62
10053-10	1K 2W 5%	A26	10605	Clip, Fuse	A21, A30, A42
10228-50	500 Ohm Pot. 1/2W 20%	D31	10602-15	Fuse, 15AFB	A21, A30, A42
	<u>CAPACITORS</u>		70029-04	Screw, P.H., 4-40 X .250"	H63
10077-12	12uF 20V	E37, H40, H45	71252-04	Nut, 4-40, Broaching	D56, B69
10068-01	1000uF 10V	E45	70166-44	Nut, 4-40 Hex	H63
10094-10	101uF 25V	D18	70455	Nut, 1/4-28 Hex	E63
10079-10	1uF 35V	D24	70168-04	Lockwasher, #4	H63
10076-68	6.8uF 35V	H16, H19	70168-13	Lockwasher, 1/4	E63
10086-10	1uF 50V	B17, D38, E40 E44, H41, H47	70169-13	Flatwasher, 1/4	E63
10083-47	4700pF 100V	H23, H25	10560-09	Wire, #20 Gray	D63
10071-47	1047uF 200V	D15	10560-10	Wire, #20 Violet	D63
	<u>DIODES</u>		19175	Heatsink	E8
10101	A14F	E41	10862	Insulator, Transistor	E8
10101-01	A14A	H43, H46	70029-09	Screw, P.H., 4-40 X .437"	E8, H8
10184-01	A15A	D39, D41	10914-01	Washer, Shoulder, Nylon	E8, H8
10160	1N4454	E18, E19, E20 E21, E22		Notes:	
10103-05	Zener, 5V 1W	E42	(1)	Thermal Compound, #10549, used between power transistors, insulator and heatsink.	
			(2)	Regulator PCB Assemblies: #12035-01 - Standard	

SECTION II.4a

#12046-XX XDL DATA TRANSFER PCB ASSEMBLY
(see notes)

<u>PART NO.</u>	<u>DESCRIPTION</u>	<u>LOCATION(S)</u>	<u>PART NO.</u>	<u>DESCRIPTION</u>	<u>LOCATION(S)</u>
<u>RESISTORS</u>			<u>CAPACITORS</u>		
10229-07	2K Pot. 3/4W	K31	10429-73	10K 1/4W 2%	A39, A56, A62 A65, A68, D45 D65, E51, E59 H65, J29, J51 K47, K51, L28 L29, L32, L33 L34, M69
42001-52	107 Ohm 1/4W 1%	E63	10429-78	16K 1/4W 2%	D23
42001-55	133 Ohm 1/4W 1%	B71	10429-86	36K 1/4W 2%	H45
42001-79	806 Ohm 1/4W 1%	E67	10432-53	1.5K 1/2W 2%	K42, M27
42005-07	6.98K 1/4W 1%	J37	10429-59	2.7K 1/4W 2%	D12, D13
10030-47	4.7 Ohm 1/2W 5%	D29	10429-46	750 Ohm 1/4W 2%	A37
10429-25	100 Ohm 1/4W 2%	A24, D24, J49 K53	10429-94	75K 1/4W 2%	L23
10429-29	150 Ohm 1/4W 2%	B69	42001-98	3.92K 1/4W 1%	J19
10429-31	180 Ohm 1/4W 2%	H60	42005-12	10K 1/4W 1%	J20
10429-33	220 Ohm 1/4W 2%	E65, E66, F51 F56, H44	10429-79	18K 1/4W 2%	E60A
10429-35	270 Ohm 1/4W 2%	A31, D21			
10429-37	330 Ohm 1/4W 2%	A50, J34			
10429-39	390 Ohm 1/4W 2%	A41, D37			
10429-43	560 Ohm 1/4W 2%	D31	10061-22	22pF 500V	B38
10429-45	680 Ohm 1/4W 2%	D16, F52, J40	10061-56	56pF 500V	J43
10429-48	910 Ohm 1/4W 2%	B37, D34	10061-68	68pF 500V	B39
10429-49	1K 1/4W 2%	A34, A35, B67 E38, E56, E57 F57, F58, H16 H39, H41, H54 H61, H63, J35 K50, K58, L25 L26	10086-47	.47uF 50V	F7
10429-56	2K 1/4W 2%	D49, D52, D55 D58, H50	10062-10	100pF 500V	E50, H51, K43
10429-55	1.8K 1/4W 2%	A51	42084-26	1200pF 50V	D28
10429-57	2.2K 1/4W 2%	B68, D19, D22 D67, D68, F50	10062-39	390pF 500V	B11
10429-61	3.3K 1/4W 2%	A26, A46, A47 A48, A52, A54 D17, D18, D35 D38, D39, D66	42078-11	.0022uF 50V	L24
10429-63	3.9K 1/4W 2%	A25, A27	42078-09	.001uF 50V	E62
10429-64	4.3K 1/4W 2%	K52	42078-17	.01uF 50V	A7, A19, A23 A38, A76, D11 D25, D32, D43 E15, E27, E31 H74, J21, J26 J36, J48, K34 K54, K60, L8 N17, N28, N35 N45, N56, N66 N76
10429-65	4.7K 1/4W 2%	A69, E61, L27 H52	10076-68	6.8uF 35V	B7, D10
10429-67	5.6K 1/4W 2%	A18, A22, D24 D30, D41, D42 F59	10077-39	39uF 10V	E9, M8
10429-69	6.8K 1/4W 2%	J52			
10429-71	8.2K 1/4W 2%	J53			
				<u>INDUCTORS</u>	
			10096-10	10uH 10%	A42, D36
			10204-22	22uH 10%	A40, D33

<u>PART NO.</u>	<u>DESCRIPTION</u>	<u>LOCATION(S)</u>	<u>PART NO.</u>	<u>DESCRIPTION</u>	<u>LOCATION(S)</u>
	<u>DIODES</u>		10172	7445	B77
10160	1N4454	A20, A21, A55 A60, A63, A67 A74, B63, B64 B65, B66, B70 D26, D27, D46 D47, D48, D50 D51, D53, D54 D56, D57, D59 E52, E53, E54 E55, H40, H42 H53, H62, H64 J42, L30, L31 L22	10119	7408	F18
				<u>MISCELLANEOUS</u>	
10102-10	5.1V Zener, 1N5231B	J38, K35	10245	Data Transfer PCB	---
10102-11	5.1V Zener, 1N5231	E60	19173	Shield, PCB	---
			10500	Terminal, T.P.	A14, A15, A16 A28, A33, A36 A75, B72, F16 F39, F40, F41 F42, H34, H66 J55, J71, J75 K38, K71, K75 M71, N24, N42 N61
	<u>TRANSISTORS</u>		10641	Post, Connector	J0-1, 2, 3, 4, 5 J1-1, 2, 3, 4, 5 J2-1, 2, 3, 4, 5 J3-1, 2, 3, 4, 5
10422-01	2N3725	E49, E58, E64	42524-01	Heatsink, TO-5	E49, E58
10367	2N3904	A45, A73, B21 B22, B41, D61 D62, F54, F55 H56, J44	42523-01	Mounting Pad, TO-5	E49, E58, E64
10380	2N3906	A29, A30, A49 A53, A57, A61 A64, A66, A70 B26, B27, B42 B46, E68, F60 F64, H43, H55 J41, J45	10792	Switch, Multi (4) SPST	L35
			10851	Bead, Ferrite	A80, E7
	<u>I.C.'s</u>			Notes:	
42003-02	Resistor Pack, 10K	L12, M12		(1) Data Transfer PCB Assemblies:	
42002-01	Resistor Pack, 1K/2K	A71, A72		#12046-01 - Single Shot Data Transfer,	
42301-01	74LS00	J59, M45, M65		200 tpi, 2400 rpm	
10134	7400	F25, F30			
42350-01	74LS02	L60, M35			
10135	7402	E16			
10209	74LS04	K59, L44			
10460	7406	H30, K77			
42305-01	74LS10	L54			
42304-01	74LS26	M77			
42311-01	74LS74	E33			
10139	7474	E25			
10349	74S74	F77			
10297-01	74LS86	E77			
42363-01	74LS175	J70			
10306	75452	K45, M30			
10322	8836	D77, L16, M19			
42315	74LS279	M55			
42204-01	3146AE	B16, B31			
42378-01	LM319	J50, K24			
10205-01	LM360	J39			

SECTION II.4b

#12143-XX XDA DATA TRANSFER PCB ASSEMBLY
(see notes).

PART NO.	DESCRIPTION	LOCATION(S)	PART NO.	DESCRIPTION	LOCATION(S)
<u>RESISTORS</u>			<u>CAPACITORS</u>		
42001-52	107 Ohm 1/4W 1%	E60	10429-78	16K 1/4W 2%	D21
42001-55	133 Ohm 1/4W 1%	B68	10432-53	1.5K 1/2W 2%	L42, N23
42000-79	806 Ohm 1/4W 1%	E65	10432-37	300 Ohm 1/2W 2%	K32
42005-07	6.98K 1/4W 1%	K36	10429-59	2.7K 1/4W 2%	D11, D12
10429-37	330 Ohm 1/4W 2%	A44	42001-98	3.92K 1/4W 1%	K20
10429-25	100 Ohm 1/4W 2%	A20, D43, K49 L52	10429-86	36K 1/4W 2%	H44
10429-29	150 Ohm 1/4W 2%	B66	10429-94	75K 1/4W 2%	M24
10429-55	1.8k 1/4W 2%	A45	42005-12	10K 1/4W 1%	K22
10429-33	220 Ohm 1/4W 2%	E63, E64, F49 F54, H43	10429-43	560 Ohm 1/4W 2% (Note 3)	B36
10429-35	270 Ohm 1/4W 2%	A27, D18	10429-48	910 Ohm 1/4W 2% (Note 2)	B36
10429-31	180 Ohm 1/4W 2%	H60	10429-34	240 Ohm 1/4W 2% (Note 3)	A35, D36
10429-46	750 Ohm 1/4W 2%	A31	10429-39	390 Ohm 1/4W 2% (Note 2)	A35, D36
10429-43	560 Ohm 1/4W 2%	D30	10020-47	4.7 Ohm 1/4W 5%	D29
10429-45	680 Ohm 1/4W 2%	D14, F50, K37	10229-07	Pot., 2K 3/4W	L29
10429-48	910 Ohm 1/4W 2%	D33	<u>CAPACITORS</u>		
10429-49	1K 1/4W 2%	A29, A30, B64 E36, E54, E55 F55, F56, H38 H40, H52, H61 H63, K24, K34 L49, L57, M22 M23	10061-22	22pF 500V (Note 2)	B35
10429-56	2K 1/4W 2%	D49, D52, D55 D58, H48	10061-56	56pF 500V	L44
10429-57	2.2K 1/4W 2%	B65, D17, D20 D66, D67, F48	10061-68	68pF 500V (Note 3)	B35
10429-61	3.3K 1/4W 2%	A22, A41, A42 A43, A46, A47 D15, D16, D34 D37, D38, D65	10086-47	.47uF 50V	F6
10429-63	3.9K 1/4W 2%	A21, A23	10062-10	100pF 500V	E48, H49, L40
10429-64	4.3K 1/4W 2%	L51	42084-28	1200pF 50V	D27
10429-65	4.7K 1/4W 2%	A61, E59, H50 M25	10062-39	390pF 500V	B8
10429-67	5.6K 1/4W 2%	A14, A18, D22 D29, D40, D41 F57	42078-11	.0022uF 50V	N21
10429-69	6.8K 1/4W 2%	K51	42078-09	.001uF 50V	E58
10429-71	8.2K 1/4W 2%	K52	42078-17	.01uF 50V	A28, A40, D19
10429-73	10K 1/4W 2%	A33, A51, A54 A57, A60, D44 D64, E49, E56 H65, K30, K50 L48, L50, M26 M27, M30, M31 M32, M78	10038-01	.1uF 50V	A6, A15, A19 A32, A73, D10 D23, D31, D42 D70, E8, E15 E24, E37, E70 F70, K19, K25 K48, K57, L31 L32, L34, L41 L53, M6, M72 P13, P24, P30 P47, P56, P69
			10076-68	6.8uF 35V	B6, D8
			10077-39	39uF 10V	E6, N6
			10061-68	68pF 500V (Note 2)	B37
			10062-18	180pF 500V (Note 3)	B37
			10062-62	620pF 500V	A38, E68
			10062-22	220pF 500V	M74

<u>PART NO.</u>	<u>DESCRIPTION</u>	<u>LOCATION(S)</u>	<u>PART NO.</u>	<u>DESCRIPTION</u>	<u>LOCATION(S)</u>
	<u>INDUCTORS</u>				
10096-10	10uH 10%	A36, D35	10322	8836	D77, M19, N19
10204-22	22uH 10%	A34, D32	42315-01	74LS279	N56
	<u>DIODES</u>		42204-01	TRANS. ARRAY, 3146AE	B16, B33
10160	1N4454	A16, A17, A50 A53, A56, A59 A74, B60, B61 B62, B63, B67 D24, D25, D45 D46, D48, D50 D51, D53, D54 D56, D57, D59 E50, E51, E52 E53, H39, H41 H51, H62, H64 L43, M21, M28 M29	42378-01	LM319	K55, L25
10102-10	5.1V Zener, 1N5231B	K38, L33	10205-01	LM360	L39
10102-11	5.1V Zener, 1N5231	E57	10172	7445	B77
	<u>TRANSISTORS</u>		10119	7408	F16
10422-01	2N3725	F51, F58, F60		<u>MISCELLANEOUS</u>	
10367	2N3904	A39, A67, B18 B19, B41, D61 D62, F52, F53 H55, K44	12142-02	Data Transfer PCB	---
10380	2N3906	A24, A26, A49 A52, A55, A58 A62, B23, B24 B43, B44, B45 B46, E67, F61 F63, H54, K40 K41, K43	19173	Shield	---
	<u>I.C.'s</u>		10500	Terminal, T.P.	A10, A11, A12 A25, A72, B28 B31, B70, F15 F39, F40, F41 F45, H28, H70 K59, L37, L72 L73, L75, L76 N69, P21, P40 P58
42003-02	Resistor Pack, 10K	M10, N10	10641	Post, Connector	J0-1, 2, 3, 5 J1-1, 2, 3, 5 J2-1, 2, 3, 5 J3-1, 2, 3, 5
42004-01	Resistor Pack, 1K/2K	A70, A71	42524-01	Heatsink, TO-5	F51, F58
42301-01	74LS00	K65, N46, N65	42523-01	Mounting Pad, TO-5	F51, F58, F60
10134	7400	F25, F34	10782	Switch, Multi (4) SPST	M37
42350-01	74LS02	M65, N37	10851	Ferrite Bead	A78, F8
10135	7402	E16			
10209	74LS04	L65, M46			
42352-01	7406	H34, M77			
42305-01	74LS10	M56			
42304-01	74LS26	N77, P77			
42311-01	74LS74	E34			
10139	7474	E25			
10349	74S74	F77			
10297-01	74LS86	E77			
42363-01	74LS175	K77			
10306	75452	L46, N28			

Notes:

- (1) Data Transfer PCB Assemblies:
#12143-01 - Single Shot Data Transfer,
200 tpi, 2400 rpm
#12143-02 - Single Shot Data Transfer,
100 tpi, 1500 rpm
- (2) Used on #12143-01 assembly only.
- (3) Used on #12143-02 assembly only.

SECTION II.5a

#12062 XDH POWER DRIVER (PD) PCB Assembly

<u>PART NO.</u>	<u>DESCRIPTION</u>	<u>LOCATION(S)</u>	<u>PART NO.</u>	<u>DESCRIPTION</u>	<u>LOCATION(S)</u>
<u>RESISTORS</u>			<u>RESISTORS</u>		
10002-21	162 Ohm 1/8W 1%	K56, K59, P56 P59	10430-09	200K 1/4W 2%	K47, K72, P47 P72
10002-25	178 Ohm 1/8W 1%	K53, K75, P53 P75	10026-22	2.2M 1/4W 5%	K20
10002-34	221 Ohm 1/8W 1%	K52, K74, P52 P74	10026-27	2.7M 1/4W 5%	A16
10003-59	4.02K 1/8W 1%	B6	10432-36	300 Ohm 1/2W 2%	B60
10004-02	10.2K 1/8W 1%	B16	10432-45	680 Ohm 1/2W 2%	B57
10004-15	14K 1/8W 1%	J12	10432-49	1K 1/2W 2%	A24, B24, E61 F34, H34, J34 K34, L34, M34 N34, P34
10004-23	16.9K 1/8W 1%	H12	10432-53	1.5K 1/2W 2%	E18, L54
10004-61	42.2K 1/8W 1%	B9	10026-20	2M 1/4W 5%	D10, D20
10429-32	200 Ohm 1/4W 2%	F28, H28, J28 K28, L28, M28 N28, P28	10435-25	100 Ohm 1W 2%	E47
10429-38	360 Ohm 1/4W 2%	L24	42002-03	.15 Ohm 5W 5%	H50, H75, M50 M75
10429-42	510 Ohm 1/4W 2%	F26	42002-04	.18 Ohm 5W 5%	H57, M57
10429-49	1K 1/4W 2%	A14, B36, B62 D7, D23, E36 E59, H36, H62 K36, K62, M36 M62, P36, P62	10059-02	.2 Ohm 10W 1%	B47
10429-56	2K 1/4W 2%	E20	42000-01	.75 Ohm 15W 10%	B75
10429-57	2.2K 1/4W 2%	J16	10429-88	43K 1/4W 2%	E19
10429-63	3.9K 1/4W 2%	H16, K54, K76 P54, P76	<u>CAPACITORS</u>		
10429-65	4.7K 1/4W 2%	L21, L22	10077-10	10uF 20V	K22
10429-66	5.1K 1/4W 2%	A19	10077-12	12uF 20V	E11
10429-73	10K 1/4W 2%	A15, B7, H40 H65, J26, K25 L9, M12, M24 M40, M65, N10 N26, P10, P26	10067-10	10uF 25V	H7, K7
10003-07	1.15K 1/8W 1%	J11	10077-01	1uF 35V	H14, J14
10003-66	4.75K 1/8W 1%	H11	10077-04	6.8uF 35V	P8
10429-79	18K 1/4W 2%	F19	10077-03	10uF 35V	F15, D54
10429-80	20K 1/4W 2%	E50	10085-10	.1uF 50V	B11, B12, F11 J9, K10, K13 L25
10429-89	47K 1/4W 2%	F27, J27, L27 N27	10085-47	.47uF 50V	D8
10429-90	51K 1/4W 2%	N13, N23, P13 P23	10070-47	.0047uF 100V	A18
10430-01	100K 1/4W 2%	A17, D9, D21 D22, M10, M11 N11, N12, P11 P12	10085-33	.033uF 100V	B19
10430-08	200K 1/4W 2%	M25, M26, N24 P24	10071-10	.01uF 200V	D24
			10062-20	200pF 500V	A41, A68
			10062-30	300pF 500V	B55
			10062-51	510pF 500V	K48, K73, P48 P73
			10063-10	1000pF 100V	N25, P25
			<u>INDUCTORS</u>		
			10097-12	1.2uH 10%	E7
			10097-27	.27uH 10%	F5, K5

<u>PART NO.</u>	<u>DESCRIPTION</u>	<u>LOCATION(S)</u>
<u>DIODES</u>		
10260	1N4607	B10, B15, D26 H15, H64, J15 J55, K21, K24 L12, M13, M64 N55
10101	A14F	F18
<u>TRANSISTORS</u>		
10383	MJE2090	E29
10109	2N3643	A21, F31, H44 J31, K44, L31 M44, N31, P44
10105	2N3644	B21, H31, H69 K31, K69, M31 M69, P31, P69
10291	PN5857	J44, N44
10292	PN5858	J69, N69
<u>I.C.'s</u>		
10306	75452	F21
42378-01	LM319	D12, H18, J18
10348	NE555V	K15
42379-02	747C	A6, N15, P15
42344-01	5011	M15
10181	75451	L15
42391-01	+24V Regulator	M7
<u>MISCELLANEOUS</u>		
12061	Power Driver PCB	---
10871-06	Connector, Right Angle, 6-Pin	J1
10592	Jack, Closed Entry	B38, B63, E38 E63, H38, H63 K38, K63, M38 M63, P38, P63
70428-09	Standoff, 4-40 X .125	B38, B63, E38 E63, H38, H63 K38, K63, M38 M63, P38, P63
70428-10	Standoff, 4-40 X .188	P36
19041	Spacer, Captive Screw	A65, P65
71250-05	Screw, 6-32 Captive	A65, P65
42529-02	Relay, SPDT	A30
10626-00	Switch, Toggle	F72
70029-04	Screw, 4-40 X .250 P.H.	M7
70166-04	Nut, 4-40, Hex	M7
70168-04	Lockwasher, #4	M7

(1) Thermal Compound #10549 used between power transistors, insulators and heatsink.

SECTION II.5b

#12062-XXF POWER DRIVER (PD) PCB ASSEMBLY
(see notes)

PART NO.	DESCRIPTION	LOCATION(S)	PART NO.	DESCRIPTION	LOCATION(S)
	<u>RESISTORS</u>		10430-05	150K 1/4W 2%	D22
10003-18	1.5K 1/8W 1%	H16			
10003-22	1.65K 1/8W 1%	H15		<u>CAPACITORS</u>	
10003-56	3.74K 1/8W 1%	H31	10077-10	10uF 20V	D48, L22
10003-59	4.02K 1/8W 1%	B6	10077-12	12uF 20V	E11
10004-02	10.2K 1/8W 1%	B15	10067-10	10uF 25V	H7, L11
10004-61	42.2K 1/8W 1%	B9	10077-04	6.8uF 35V	N8
10006-05	1.1M 1/8W 1%	K26	42084-17	220pF 50V	K56a, P56a
10026-27	2.7M 1/4W 5%	A16	10085-10	.1uF 50V	B11, B12, F11 H11, K12, L12
10429-17	47 Ohm 1/4W 2%	H48, N48			L27, L28, P13 P30, R11, R13 R25, R30
10429-39	390 Ohm 1/4W 2%	H59, H62, L29 N60, N62			
10429-41	470 Ohm 1/4W 2%	B38	10086-47	.47uF 50V	D8, K18
10429-49	1K 1/4W 2%	A14, B50, B62 D7, E20, E60 F19, F56, H28 H29, H56, K42 M56, N56, P42	10085-33	.033uF 100V	B19
			10070-47	.0047uF 200V	A18
10429-56	2K 1/4W 2%	R24, R27, R29 R31	10071-10	.01uF 200V	D24, K19
			10062-20	200pF 500V	A68, D57
10429-60	3K 1/4W 2%	H30, K47, P47	10062-30	300pF 500V	B55
10429-66	5.1K 1/4W 2%	B20, B35, H26 N30, N31, P26 P28		<u>INDUCTORS</u>	
			10097-12	1.2uH 10%	E7, N7
10429-73	10K 1/4W 2%	A15, B7, K16 K27, L25, M12 N24, N25, P27 P29	10097-27	27uH 10%	H10, L7
				<u>DIODES</u>	
10429-75	12K 1/4W 2%	E19	10101	A14F	F18
10429-92	62K 1/4W 2%	N12, N13	10103-02	6.2V Zener, 1M6.2ZS2	B34, K30
10430-01	100K 1/4W 2%	A17, D9, D21 R23, R28	10160	1N4454	D50
10432-36	300 Ohm 1/2W 2%	B60	10260	1N4607	B16, D26, K49 L21, L24, N27 N28, P49
10432-45	680 Ohm 1/2W 2%	A26, B57, E62 K31		<u>TRANSISTORS</u>	
10432-48	910 Ohm 1/2W 2%	K56, P56	10383	MJE2090	E29
10432-49	1K 1/2W 2%	L56, L62, R56 R62	42391-01	78M24C Regulator	M25
			10367	2N3904	A21, B48, F55 K44, K55, M55 P44, P55
10432-53	1.5K 1/2W 2%	E18, H36			
10432-58	2.4K 1/2W 2%	B36, B40, D52	10380	2N3906	B21, B39, H55 L55, N55, R55
10026-22	2.2M 1/4W 5%	L20			
10026-20	2M 1/4W 5%	D10, D20	10480-01	2N6051 (Note 2)	B63, H63, L63 N63, R63
42002-03	.15 Ohm 5W 10%	H50, H75, N50 N75	10479-01	2N6058 (Note 2)	E38, E63, H38 L38, N38, R38
10059-02	.2 Ohm 10W 1%	B43			
10429-51	1.2K 1/4W 2%	D23			

<u>PART NO.</u>	<u>DESCRIPTION</u>	<u>LOCATION(S)</u>
-----------------	--------------------	--------------------

I.C.'s

42378-01	LM319	D12, H18
42379-02	747C	A6, R15
10348	NE555V	K20, L15
42344-01	5011	N15
10145	74123	P15
10306	75452	F21
42404-01	75453B	M15

MISCELLANEOUS

12061-01	Power Driver PCB	---
10871-04	Connector, Right Angle, 4-Pin	J1
10871-02	Connector, Right Angle, 2-Pin	J2
10592	Jack, Closed Entry	B63, E38, E63 H38, H63, L38 L63, N38, N63 R38, R63
70428-09	Standoff, Round, 4-40 X .125"	---
70428-10	Standoff, Round, 4-40 X .188"	---
10941	Spacer, Captive Screw	A64, R64
70250-05	Screw, Captive, 6-32	A64, R64
70029-04	Screw, P.H., 4-40 X .250"	E29
70166-04	Nut, 4-40 Hex	E29
70168-04	Lockwasher, #4	E29
10851	Bead, Ferrite	B10, B14
42529-02	Relay, SPDT	A30
10626-00	Switch, Toggle	F72

Notes:

- (1) Power Driver PCB Assemblies:
#12062-01 - Standard
- (2) Part of #19032 Power Driver Assembly
- (3) Thermal Compound #10549 used between power transistors, insulators and heatsink.

SECTION II.6a

#12066-XXD LOGIC (LO) PCB ASSEMBLY
(see notes)

<u>PART NO.</u>	<u>DESCRIPTION</u>	<u>LOCATION(S)</u>	<u>PART NO.</u>	<u>DESCRIPTION</u>	<u>LOCATION(S)</u>
<u>RESISTORS</u>			<u>I.C.'s</u>		
10004-34	22.1K 1/8W 1%	B58	42375-01	LM339	A20
10429-49	1K 1/4W 2%	A9, B10, B19 B32, D12, D15 P64	10304	7492	K40
10429-56	2K 1/4W 2%	B63	10141	7493	E20, E30, H50
10429-61	3.3K 1/4W 2%	A22, B9, D16	42386-01	7497	F50
10429-65	4.7K 1/4W 2%	A11, B21	10322	8836	P30
10429-73	10K 1/4W 2%	D73, D74, D75 F9, N6, N10 N24, P11	42390-01	CD4040	K60, M50
10429-76	13K 1/4W 2%	A27, A30	42389-01	CD4050	M60
10429-80	20K 1/4W 2%	B20, F10, F11	42301-01	74LS00	D40, E40, L30 L40, L60
10429-84	30K 1/4W 2%	A10	10209	74LS04	F40, N40, P50
10430-01	100K 1/4W 2%	B16, B18	10210	74LS08	N30, P40
10432-42	510 Ohm 1/2W 2%	E8	42305-01	74LS10	M30, N50
10432-53	1.5K 1/2W 2%	P12	42308-01	74LS20	F60
10429-57	2.2K 1/4W 2%	A21, A24	42311-01	74LS74	B40, D30, H40 M40, N60
10429-63	3.9K 1/4W 2%	E31	10297-01	74LS86	H60
10006-01	1M 1/8W 1%	A19	42313-01	74LS123	A40, D60
10429-01	10 Ohm 1/4W 2%	B59	42397-01	74LS132	K20
<u>CAPACITORS</u>			42361-01	74LS157	F30, H30
10077-39	39uF 10V	A5, P5	42382-01	74LS163	K50
10077-10	10uF 20V	B56, P7	42381-01	74LS191	E50, E60, L50
10038-01	.1uF 50V	A23, A34, A45 A56, A67, D14 E23, E34, E45 E56, E67, H34 H45, H56, H67 L23, L34, L45 L56, L67, M24 P24, P34, P45 P56, P67	42385-01	74LS193	A50, B50
10086-47	.47uF 50V	F23, K24	10181	75451	K30
10070-10	.001uF 200V	B15, D18	10306	75452	M15, M20, N15 N20, P15, P20
10071-10	.01uF 200V (Note 2)	A29, A32	10239-02	Resistor Pack, 10K	L20
42083-23	680pF 50V (Note 3)	A29, A32	<u>MISCELLANEOUS</u>		
10160	1N4454	B11, D13, D17	12065-01	Logic PCB	---
			10792	Switch, Multi (4) SPST	B70
			10500	Terminal, T.P.	A75, E74, E75 E76, E77, F74 F75, F76, L74 L75, M74, M75 P75
			10851	Bead, Ferrite	B5, M5, P9
			42577-03	Socket, I.C., 16-Pin	K60, M50, M60

Notes:

- (1) Logic PCB Assemblies:
#12066-01 - Standard
#12066-02 - Series 30 Compatible
- (2) Used on #12066-01 assembly only.
- (3) Used on #12066-02 assembly only.

SECTION II.6b

#12141-XXA LOGIC (LO) PCB ASSEMBLY
(see notes)

PART NO.	DESCRIPTION	LOCATION(S)	PART NO.	DESCRIPTION	LOCATION(S)
RESISTORS					
10429-77	15K 1/4W 2%	B59	10141	7493	E20, E30, H50
10429-49	1K 1/4W 2%	A9, B10, B19 B32, D12, D15 P64	42386-01	7497	F50
10429-56	2K 1/4W 2%	B63	10322	8836	P30
10429-61	3.3K 1/4W 2%	A25, B9, D16	42300-01	CD4040	M50, K60
10429-65	4.7K 1/4W 2%	A11, B21	42389-01	CD4050	M60
10429-73	10K 1/4W 2%	D73, D74, D75 F9, N6, N10 P11	42301-01	74LS00	D40, E40, L30 L40, L60
10429-76	13K 1/4W 2%	A27, A30	10209-01	74LS04	F40, N40
10429-80	20K 1/4W 2%	B20, F10, F11	10210-01	74LS08	N30, P30
10429-84	30K 1/4W 2%	A10	42305-01	74LS10	M30, N50
10430-01	100K 1/4W 2%	B16, B18	42308-01	74LS20	F60
10432-42	510 Ohm 1/2W 2%	E8	42311-01	74LS74	B40, D30, H40 M40, N60
10432-53	1.5K 1/2W 2%	P12	10297-01	74LS86	H60
10429-57	2.2K 1/4W 2%	A12, A24	42313-01	74LS123	A40, D60
10429-63	3.9K 1/4W 2%	A13	42397-01	74LS132	K20
42005-73	1M 1/4W 1%	A14	42361-01	74LS157	F30, H30
10429-66	5.1K 1/4W 2%	N67	42382-01	74LS163	K50
CAPACITORS					
10077-39	39uF 10V	A5, P5	42381-01	74LS191	E50, E60, L50
10077-10	10uF 20V	B56, P7	42385-01	74LS193	A50, B50
10038-01	1uF 50V	A23, A34, A45 A56, A67, D14 E23, E34, E45 E56, E67, H34 H45, H56, H67 L23, L34, L45 L56, M24, P24 P34, P45, P56 P67	10181	75451	K30
10086-47	47uF 50V	F23, K24	10306	75452	M15, M20, N15 N20, P15, P20
10029-01	1001uF 200V	B15, D18	10239-02	Resistor Pack, 10K	L20
42084-37	2001uF 50V (Note 2)	A29, A32	10136	7404	P50
42084-24	820pF 50V (Note 3)	A29, A32	MISCELLANEOUS		
DIODES					
10160	1N4454	B11, D13, D17	12140	Logic PCB	---
I.C.'s					
42375-01	LM339	A20	10792	Switch Block (4) SPST	B70
10304	7492	K40	10500	Terminal, T.P.	A75, E74, E75 E76, E77, F74 F75, F76, L74 L75, M74, M75 P74, P75
Notes					
(1) Logic PCB Assemblies: #12141-01 - Standard #12141-02 - Series 30 Compatible					
(2) Used on 12141-01 only.					
(3) Used on 12141-02 only.					

SECTION II.7a

#12099 XDC SERVO (SO) PCB ASSEMBLY

PART NO.	DESCRIPTION	LOCATION(S)	PART NO.	DESCRIPTION	LOCATION(S)
<u>RESISTORS</u>					
10429-01	10 Ohm 1/4W 2%	P10	42005-23	23.7K 1/4W 1%	A21
10429-09	22 Ohm 1/4W 2%	F14, K19	42005-30	39.2K 1/4W 1%	A61, A62, B72 B73, D75, D76 H58, H59, H60
10429-25	100 Ohm 1/4W 2%	M32	42005-94	63.4K 1/4W 1%	E20
10429-58	2.4K 1/4W 2%	A15, F10	42005-37	64.9K 1/4W 1%	H51, H55, H62
10429-41	470 Ohm 1/4W 2%	H71, K49, K56 K65	42005-23	23.7K 1/4W 1%	E28
10429-44	620 Ohm 1/4W 2%	B40, D63, E36 E40, E54, E62	10429-90	51K 1/4W 2%	E30
10429-45	680 Ohm 1/4W 2%	H69, K53, K60 K69	42005-42	100K 1/4W 1%	H47, H56, H61
10429-49	1K 1/4W 2%	K20, K54, K63 K70, L67, M31 M67	42005-22	22.1K 1/4W 1%	D21
10429-55	1.8K 1/4W 2%	H70, K51, K61 K71	42005-95	73.2K 1/4W 1%	E32
10429-61	3.3K 1/4W 2%	K13, K14, K15 K17, L40, L41 L42, L43, P37 P38, P39, P40 P41, P42, P43	42005-96	24.9K 1/4W 1%	F27
10429-63	3.9K 1/4W 2%	A58, B69, D68	42005-97	174K 1/4W 1%	E47
10429-66	5.1K 1/4W 2%	E29	42005-65	562K 1/4W 1%	E12
10429-67	5.6K 1/4W 2%	A63, B74, D74	42005-69	750K 1/4W 1%	A19
10429-73	10K 1/4W 2%	E26, E27	42001-83	1.15K 1/4W 1%	F38, F41
10429-90	51K 1/4W 2%	H49, H53, H64	<u>CAPACITORS</u>		
10429-91	56K 1/4W 2%	E52, E60	10077-39	39uF 10V	A6, L72, M6
10430-01	100K 1/4W 2%	A64, B75, D73 K50, K55, K64	10077-15	15uF 20V	D8, K6, P12
10430-03	120K 1/4W 2%	A60, B37, B39 B42, B43, B71 D60, D61, D70 E39, E42, E51 E59, F42, F43	10038-10	.1uF 50V	A8, A23, A34 A56, A67, A68 A76, B13, B23 B56, B67, D10 D23, D34, F15 F56, F57, F67 F68, H23, K8 K18, K23, K34 L24, L34, L56 M8, M56, N56 N67, P56, P67
42001-64	255 Ohm 1/4W 1%	F16, F19	42082-02	.01uF 50V 1%	F37, F40
42001-03	1K 1/4W 1%	N37, N39	10062-75	750pF 300V	K12, K16
42001-82	1.07K 1/4W 1%	M40, M41, N40 N41	10061-10	10pF 500V	K21, K52, K62 K72
42001-86	1.43K 1/4W 1%	M38, M42, M43 N42	10061-20	20pF 500V	B36, B38, B44 D59, E38, E43 E50, E58
42001-92	2.37K 1/4W 1%	A16, M39, N36 N38, N43	10061-27	27pF 500V	H50, H54, H65
42001-96	3.4K 1/4W 1%	F17, F20	10061-39	39pF 500V	A59, B70, D71
42001-11	5.11K 1/4W 1%	A17, A18	10062-10	100pF 500V	A65, B76, D72 H48, H52
42001-13	15.4K 1/4W 1%	D19	10062-30	300pF 500V	D17, F18
42005-12	10K 1/4W 1%	E19	10062-47	470pF 500V	H63
42005-93	18.7K 1/4W 1%	D20	10064-01	2200pF 500V	P14, P16
			42084-29	.0022uF 50V	E31

PART NO. DESCRIPTION LOCATION(S)

INDUCTORS

10097-02 2.2uH 10%

L74

DIODES

10160 1N4454

A20, B41, D14
D15, D16, D58
D62, E13, E14
E37, E41, E48
E49, E53, E61
F28, F39

TRANSISTORS

10328 2N3640

H67, K47, K58
K67

10380 2N3906

M33

I.C.'s

42378-01 LM319

A72, B62, K29

10124 733

H18

42379-02 747C

B18, D29, F50
F62, L29

10136 7404

A29, H29, L50

10460 7406

B50, N50, P50

10133 7410

L62

10120 7426

B29

10137 7475

A40

10303 7486

A50

10326 74S112

M72, N72, P72

42347-02 74S153

M62

42349-01 74S175

N62, P62

42344-01 AH5011

D40, D50

MISCELLANEOUS

12067 Servo PCB

10500 Terminal, T.P.

E74, E75, E76
E77, F74, F75
F76, F77, H72
H73, K74, K76

42159-01 Crystal, 6.600MHz

M50

10851 Ferrite Bead

K48, L48

SECTION II.7b

#12099A SERVO (SO) PCB ASSEMBLY

<u>PART NO.</u>	<u>DESCRIPTION</u>	<u>LOCATION(S)</u>	<u>PART NO.</u>	<u>DESCRIPTION</u>	<u>LOCATION(S)</u>
<u>RESISTORS</u>			<u>CAPACITORS</u>		
10429-01	10 Ohm 1/4W 2%	K12,M11,P16	10077-39	39uF 10V	A7, S6
10429-25	100 Ohm 1/4W 2%	L18	10038-01	1uF 50V	A10,B65,D65 E64,F15,F28 F30,F32,H12 H64,K11,K56 K58,K64,L29 L64, M5, M8 M10,M12,M16 N64,P25,P65 R8, R42
10429-38	360 Ohm 1/4W 2%	A16,A21,A28 A32,A38,A39 K15,K17,K57 K59			
10429-49	1K 1/4W 2%	B36,K61,L39 L40,M21,M22 N51,P64,R16 R23			
10429-51	1.2K 1/4W 2%	R15,R17,R22 R24	10064-10	100pF 500V	M18
10429-54	1.6K 1/4W 2%	R14,R18,R20 R25	10061-75	75pF 500V	B22,B24,B29 D17,D29,D34 D39,D44,E17 H30
10429-56	2K 1/4W 2%	R13,R19,R21 R26	10062-15	150pF 500V	A29,B17,B39
10429-73	10K 1/4W 2%	A36,F16,L52 L53,L55,M15 M23,M53,N54 P35	10074-10	0.01uF 33V	F50,H44,K19
			10029-35	0.047uF 80V	M26
10429-78	16K 1/4W 2%	M34, N34	<u>INDUCTORS</u>		
10429-82	24K 1/4W 2%	N29, N46	10204-15	15uH 10%	K24
10429-89	47K 1/4W 2%	E31	<u>DIODES</u>		
10429-91	56K 1/4W 2%	N31			
10429-92	62K 1/4W 2%	N30	10160	1N4454	M36,M37,M39 M40,M42 M52A M52B
10429-93	68K 1/4W 2%	N33			
10430-01	100K 1/4W 2%	M33, N32	<u>I.C.'s</u>		
10430-08	200K 1/4W 2%	M31	10188-01	311	N23
10430-10	240K 1/4W 2%	M32	10315	592	L15
10430-18	510K 1/4W 2%	M30	10321	723	H26
10432-39	390 Ohm 1/2W 2%	F18	42379-02	747C	D26,E39,N50
10026-20	2M 1/4W 5%	M29	42344-01	5011	K39, L50
42001-92	2.37K 1/4W 1%	F7, H15	10136	7404	B73
42001-14	20K 1/4W 1%	A19,A27,A31 B15,B37,B41 H18,H28,N52 N53	42352-01	7406	R38, R50
			10133	7410	P73
42005-19	17.8K 1/4W 1%	L35, L38	10120	7426	B61
42001-15	40.2K 1/4W 1%	B19,B27,B31 D15,D37,D41	10139	7474	D61,D73,E61 H73
			10303	7486	K72
42005-39	75K 1/4W 1%	H35	42310-01	74LS112	E73
42005-80	118K 1/4W 1%	H36	42349-01	74LS175	L73, N73
42005-46	133K 1/4W 1%	B20,B26,D31 D36,E15	10322	8836	H61
			<u>MISCELLANEOUS</u>		
10077-12	12uF 20V	H10, K6, N9	10298	Servo PCB	---
	<u>CAPACITORS</u>				

PART NO.	DESCRIPTION	LOCATION(S)
----------	-------------	-------------

MISCELLANEOUS

10500	Terminal, T.P.	A75,A76,B75 F75,H75,H76 L75,M75,N75 S76
-------	----------------	--

42159-01	Crystal, 6.600MHz	R73
----------	-------------------	-----

ADDITIONAL

SECTION II.8a

#12101-XX XDD ADDRESS LOGIC (AL) PCB ASSEMBLY
(see notes)

<u>PART NO.</u>	<u>DESCRIPTION</u>	<u>LOCATION(S)</u>	<u>PART NO.</u>	<u>DESCRIPTION</u>	<u>LOCATION(S)</u>
<u>RESISTORS</u>			42383-01	74LS155	M50
42005-12	10K 1/4W 1%	A23	42370-01	MC1408L-8	F20
42001-14	20K 1/4W 1%	A33	42390-01	CD4040	A20
			10306	75452	M15, M20, N15 N20, N30, P30
<u>CAPACITORS</u>			<u>MISCELLANEOUS</u>		
10062-10	100pF 500V	A25	12100	Address Logic PCB	---
10061-51	51pF 500V	F25	10500	Terminal, T.P.	A75, F73, F74 F76, F77, N70 N73, P73, P75
10077-12	12uF 20V	A5, P5	10792	Switch Block (4), SPST	M75
10077-10	10uF 20V	H11	42577-03	Socket, IC, 16-Pin	A20
10038-01	.1uF 50V	A24, A34, A45 A56, A67, A78 B45, F45, H10 L45, M45, P24 P34, P45, P56 P67, P78	10851	Bead, Ferrite	H9
10062-39	390pF 500V	A35	Notes:		
<u>INDUCTORS</u>			(1) Address Logic PCB Assemblies: #12101-01 - Standard		
10097-12	1.2uH 10%	D5, M5			
<u>I.C.'s</u>					
10239-01	Resistor Pack, 1K	E70			
10239-02	Resistor Pack, 10K	P20			
42301-01	74LS00	A40, E20, E30 K50			
42350-01	74LS02	L50			
10136	7404	H30			
10210	74LS08	A50, B20			
42305	74LS10	B40, D20			
42354-01	74LS11	F30			
10139	7474	D50			
42311-01	74LS74	B30, B50, B60 D30, H20			
42387-01	7482	D40			
10322	8836	K20, L20, L30 L40			
10297-01	74LS86	E40, E50, E60 M30			
10145	74123	A30			
42361-01	74LS157	H40, H50			
42363-01	74LS175	N40, N50			
42381-01	74LS191	D60, F60, H60			
42317-01	74LS283	F40, F50			
42384-01	74LS151	M40			

SECTION II.8b

#12101-XXF ADDRESS LOGIC (AL) PCB ASSEMBLY
(see notes)

<u>PART NO.</u>	<u>DESCRIPTION</u>	<u>LOCATION(S)</u>	<u>PART NO.</u>	<u>DESCRIPTION</u>	<u>LOCATION(S)</u>
<u>RESISTORS</u>					
10429-01	10 Ohm 1/4W 2% (Note 2)	A24, A72	10322	8836	K20, L20, L30 L40
10429-01	10 Ohm 1/4W 2% (Note 3)	A71	10297-01	74LS86	E40, E50, E60 M30
10429-01	10 Ohm 1/4W 2% (Note 4)	A24, A71	10145	74123	A39
10429-86	36K 1/4W 2%	F9	42361-01	74LS157	H40, H50
10429-75	12K 1/4W 2% (Notes 2 & 4)	A21	42363-01	74LS175	N40, N50
10429-81	22K 1/4W 2% (Note 3)	A21	42381-01	74LS191	D60, F60, H60
10429-71	8.2K 1/4W 2% (Notes 2 & 4)	A33	42317-01	74LS283	F40, F50
10429-80	20K 1/4W 2% (Note 3)	A33	42384-01	74LS151	M40
<u>CAPACITORS</u>					
10061-56	56pF 50V (Notes 2 & 4)	A23	42383-01	74LS155	M50
10061-56	56pF 50V	F11	42370-01	1408L-8	F20
42084-34	5600pF 50V (Note 3)	A22	42390-01	CD4040	A20
10077-12	12uF 20V	A5, P5	10306	75452	M15, M20, N15 N20, N30, P30
10077-10	10uF 20V	H11	10239	Resistor Pack, 1K	E70
10038-01	.1uF 50V	A25, A34, A45 A56, A67, A78 B45, F45, H10 L45, M45, P24 P34, P45, P56 P67, P78	10239-02	Resistor Pack, 10K	P20
<u>MISCELLANEOUS</u>					
10062-39	390pF 50V (Notes 2 & 4)	A35	12100-01	Address Logic PCB	---
42084-24	820pF 50V (Note 3)	A35	10500	Terminal, T.P.	A75, F73, F74 F76, F77, N70 N73, P73, P75
<u>INDUCTORS</u>					
10097-12	1.2uH 10%	D5, M5	10792	Switch Block (4)SPST	M75
<u>DIODES</u>					
10160	1N4454 (Note 3)	A24	42577-03	Socket, 16-Pin	A20
<u>I.C.'s</u>					
42301-01	74LS00	A40, E20, E30 K50	10851	Ferrite Bead	H9
42350-01	74LS02	L50	Notes:		
10136	7404	H30	(1)	Address Logic PCB Assemblies:	
10210-01	74LS08	A50, B20, B70		#12101-01 - Standard	
42305-01	74LS10	B40, D20		#12101-02 - Series 30 Compatible	
42354-01	74LS11	F30		#12101-03 - Pulsed LAI	
10139	7474	D50	(2)	Used on 12101-01 assembly only.	
42311-01	74LS74	B30, B50, B60 D30, H20	(3)	Used on 12101-02 assembly only.	
42387-01	7482	D40	(4)	Used on 12101-03 assembly only.	

SECTION II.8c

#12152-XXB ADDRESS LOGIC (AL) PCB ASSEMBLY
(see notes)

PART NO.	DESCRIPTION	LOCATION(S)	PART NO.	DESCRIPTION	LOCATION(S)
<u>RESISTORS</u>			10322	8836	K20, L20, L30 L40
10429-01	10 Ohm 1/4W 2% (Note 2)	A24, A72	10297-01	74LS86	E40, E50, E60 M30
10429-01	10 Ohm 1/4W 2% (Note 3)	A71	10145	74123	A30
10429-01	10 Ohm 1/4W 2% (Note 4)	A24, A71	42361-01	74LS157	H40, H50
10429-75	12K 1/4W 2% (Notes 2 & 4)	A21	42363-01	74LS175	N40, N50
10429-81	22K 1/4W 2% (Note 3)	A21	42381-01	74LS191	D60, F60, H60
10429-71	8.2K 1/4W 2% (Notes 2 & 4)	A33	42317-01	74LS283	F40, F50
10429-80	20K 1/4W 2% (Note 3)	A33	42384-01	74LS151	M40
10429-86	36K 1/4W 2%	F9	42383-01	74LS155	M50
<u>CAPACITORS</u>			42370-01	MC1408L-8	F20
10061-56	56pF 50V (Notes 2 & 4)	A23	42390-01	CS4040	A20
10061-56	56pF 50V	F11	10306	75452	M15, M20, N15 N20, N30
42084-34	5600pF 50V (Note 3)	A22	10239	Resistor Pack, 1K	E70
10077-12	12uF 20V	A5, P5	10239-02	Resistor Pack, 10K	F20
10077-10	10uF 20V	H11	<u>MISCELLANEOUS</u>		
10038-01	.1uF 50V	A25, A34, A45 A56, A67, A78 B45, F45, H10 L45, M45, P24 P34, P45, P56 P67, P78	12151-01	Address Logic PCB	---
10062-39	390pF 50V (Notes 2 & 4)	A35	10508	Terminal, T.P.	A70, A75, F73 F74, F76, F77 N70, N73, P73 P75
42084-24	820pF 50V (Note 3)	A35	10792	Switch Block (4) SPST	M75
<u>INDUCTORS</u>			42577-03	Socket, 16-Pin	A20
10097-12	1.2uH 10%	D5, M5	10851	Ferrite Bead	H9
<u>DIODES</u>			Notes:		
10160	1N4454 (Note 3)	A25	(1)	AL PCB Assemblies: #12152-01 - Standard #12152-02 - Series 30 Compatible #12152-03 - Pulsed LAI	
<u>I.C.'s</u>			(2)	Used on 12152-01 assembly only.	
42301-01	74LS00	A40, E20, E30 K50	(3)	Used on 12152-02 assembly only.	
42350-01	74LS02	L50	(4)	Used on 12152-03 assembly only.	
10136	7404	H30			
10210-01	74LS08	A50, B20, B70			
42305-01	74LS10	B40, D20			
42354-01	74LS11	F30			
10139	7474	D50			
42311-01	74LS74	B30, B50, B60 D30, H20			
42387-01	7482	D40			

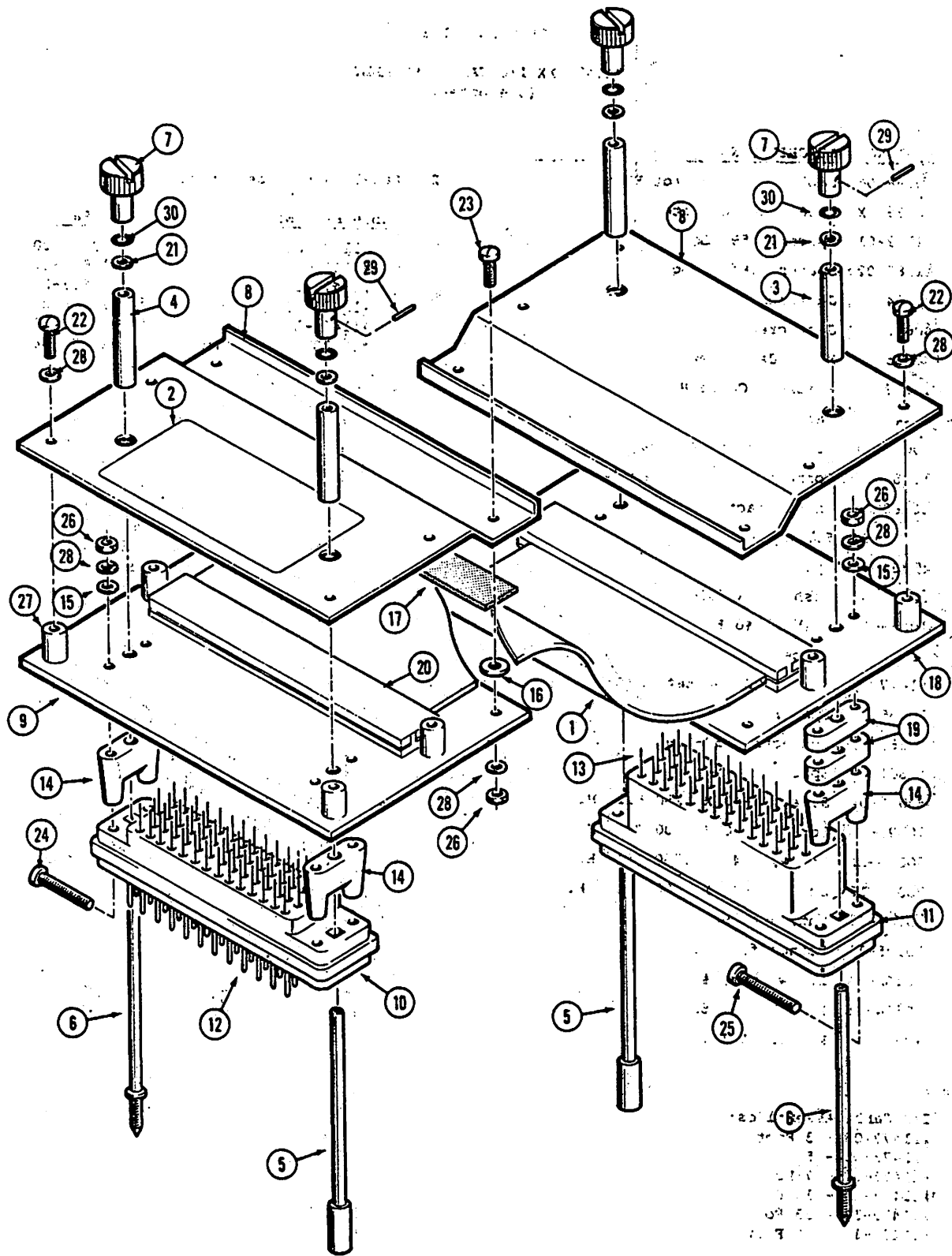


Figure 3-1
 #11473-XX I/O CABLE ASSEMBLY

SECTION III.1

#11473-XX I/O CABLE ASSEMBLY
(see notes)

ITEM	PART NO.	DESCRIPTION
1	10588-06	Cable, 50-Conductor Flat
2	10633-XX	Label, Cable (Note 2)
3	11189-01	Spacer, .593 Long
4	11189-02	Spacer, .875 Long
5	10664	Jacksocket
6	10662	JackscREW
7	10665	Knob, JackscREW
8	16673	Bracket, Cable Holder
9	11445	Cable PCB (Pin End)
10	10667-01	Connector, 50-Pin Male
11	10667-02	Connector, 50-Pin Female
12	10583-01	Pin Contact
13	10583-02	Socket Contact
14	15384	Spacer
15	10515-03	Washer, #4 Fiber
16	10589-02	Washer, #6 Fiber
17	11167	Spacer
18	11447	Cable PCB (Socket End)
19	15366	Spacer
20	10680	Connector, 50-Pin
21	10661	Spacer, Washer
22	70020-04	Screw, 4-40 X .250 Fil. H.
23	70020-08	Screw, 4-40 X .500 Fil. H.
24	70020-12	Screw, 4-40 X .750 Fil. H.
25	70020-16	Screw, 4-40 X 1.000 Fil. H.
26	70166-04	Nut, 4-40 Hex
27	70175-11	Standoff, .250 Long
28	70168-04	Lockwasher, #4
29	70304-01	Roll Pin, .062 dia.
30	10663	Washer, Thrust

(2) Label Part Number Chart:

Cable Part No.		Label Part No.
#11473-03	use	#10633-20
#11473-05	use	#10633-21
#11473-07	use	#10633-22
#11473-10	use	#10633-23
#11473-13	use	#10633-33
#11473-16	use	#10633-34

Notes:

- (1) I/O Cable Assemblies:
 #11473-03 - 3 Foot
 #11473-05 - 5 Foot
 #11473-07 - 7 Foot
 #11473-10 - 10 Foot
 #11473-13 - 13 Foot
 #11473-16 - 16 Foot

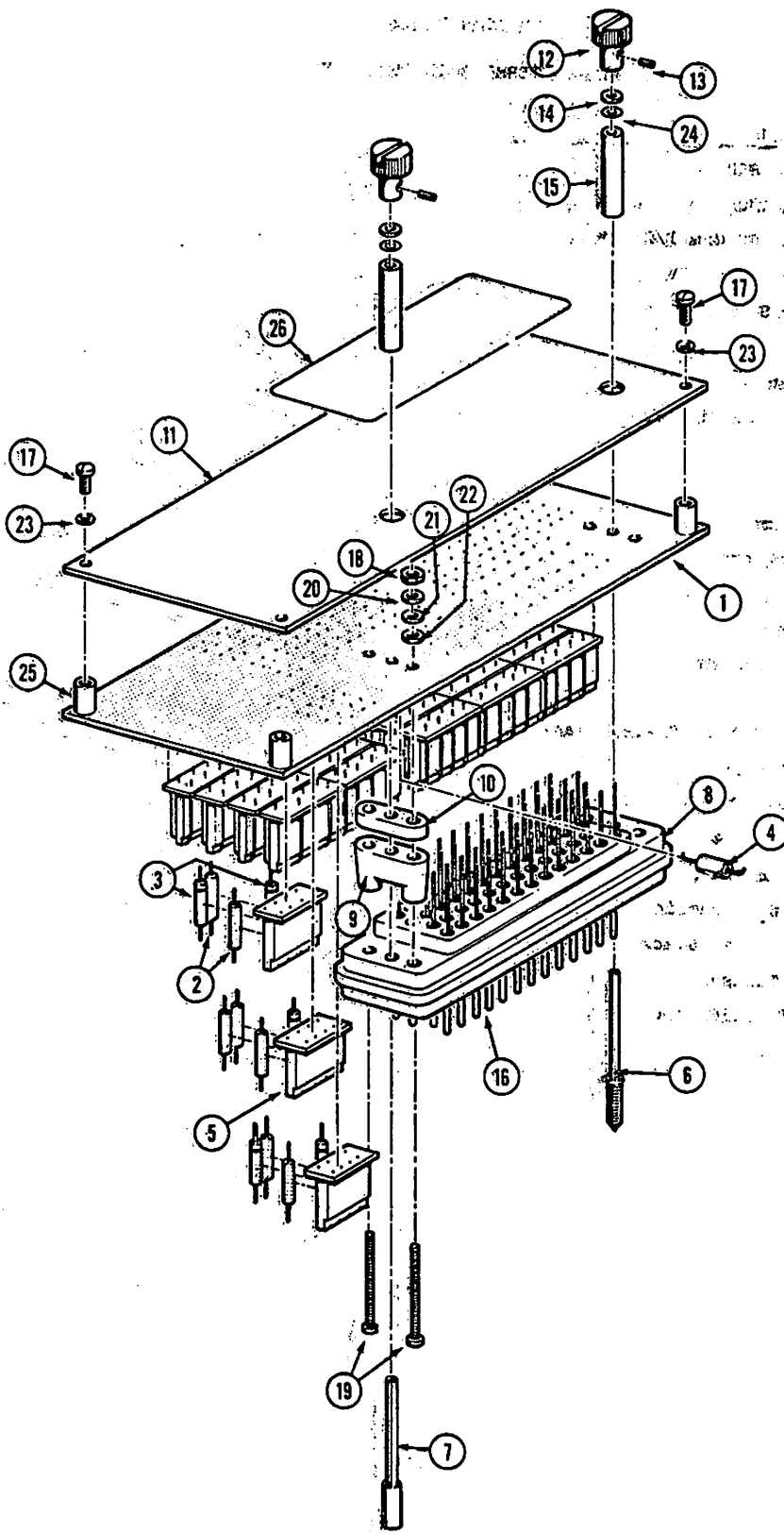


Figure 3-2
#11441 TERMINATOR ASSEMBLY

SECTION III.2

11441-TERMINATOR ASSEMBLY

ITEM	PART NO.	DESCRIPTION
1	11440	Terminator PCB
2	10032-43	Resistor, 430 Ohm 1/2W 5%
3	10032-10	Resistor, 100 Ohm 1/2W 5%
4	10077-39	Capacitor, 39uF 10V
5	10678	Component Standoff
6	10662	Jackscrew
7	10664	Jacksocket
8	10667-01	Connector, 50-Pin Male
9	15384	Spacer
10	15366	Spacer
11	16691	Cover, Terminator
12	10665	Knob, Jackscrew
13	70304-01	Roll Pin, .062 dia.
14	10661	Spacer, Washer
15	11189-03	Spacer, .688 Long
16	10583-01	Pin Contact
17	70111-04	Screw, 4-40 X .250 P.H. Black
18	70166-04	Nut, 4-40 Hex
19	70020-14	Screw, 4-40 X .875 Flat H.
20	70168-04	Lockwasher, #4
21	70179-04	Flatwasher, #4
22	10515-03	Washer, #4 Phenolic
23	70232-04	Lockwasher, #4 Black
24	10663	Washer, Thrust
25	70175-11	Standoff, .250 Long
26	10632-10	Label, Part No.

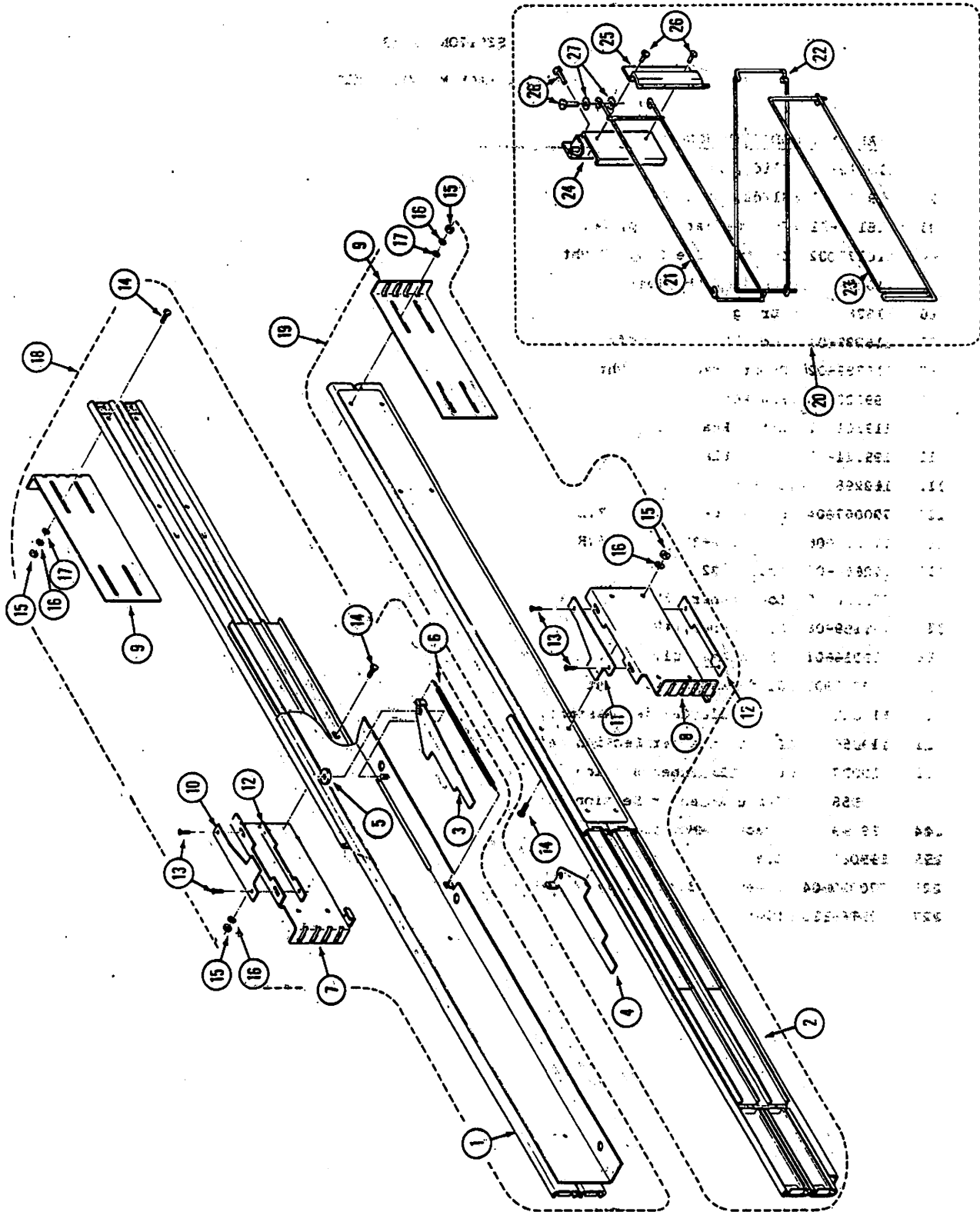


Figure 3-3
#19021 Rack Mounting Kit

SECTION III.3

#19021 RACK MOUNTING KIT

ITEM	PART NO.	DESCRIPTION
1	19110-01	Slide, Left
2	19110-02	Slide, Right
3	16177-01	Intermediate Stop, Left
4	16177-02	Intermediate Stop, Right
5	16179	Bushing, Shoulder
6	16283	Spring
7	16289-01	Front Bracket, Left
8	16289-02	Front Bracket, Right
9	19122	Bracket, Rear
10	19101-01	Latch Plate, Left
11	19101-02	Latch Plate, Right
12	16298	Bar Nut, Front
13	70067-04	Screw, 6-32 X .250 P.H.
14	70031-06	Screw, 8-32 X .375 P.H.
15	70166-08	Nut, 8-32 Hex
16	70168-08	Lockwasher, #8
17	70169-08	Flatwasher, #8
18	19016-01	Slide Assembly, Left
19	19016-02	Slide Assembly, Right
20	19022	I/O Cable Carrier Assembly
21	19056	Cable Extender Section 'A'
22	19057	Cable Extender Section 'B'
23	19058	Cable Extender Section 'C'
24	19059	Bracket, Mounting
25	19060	Clamp
26	70030-04	Screw, 6-32 X .250 P.H.
27	70169-10	Flatwasher, #10

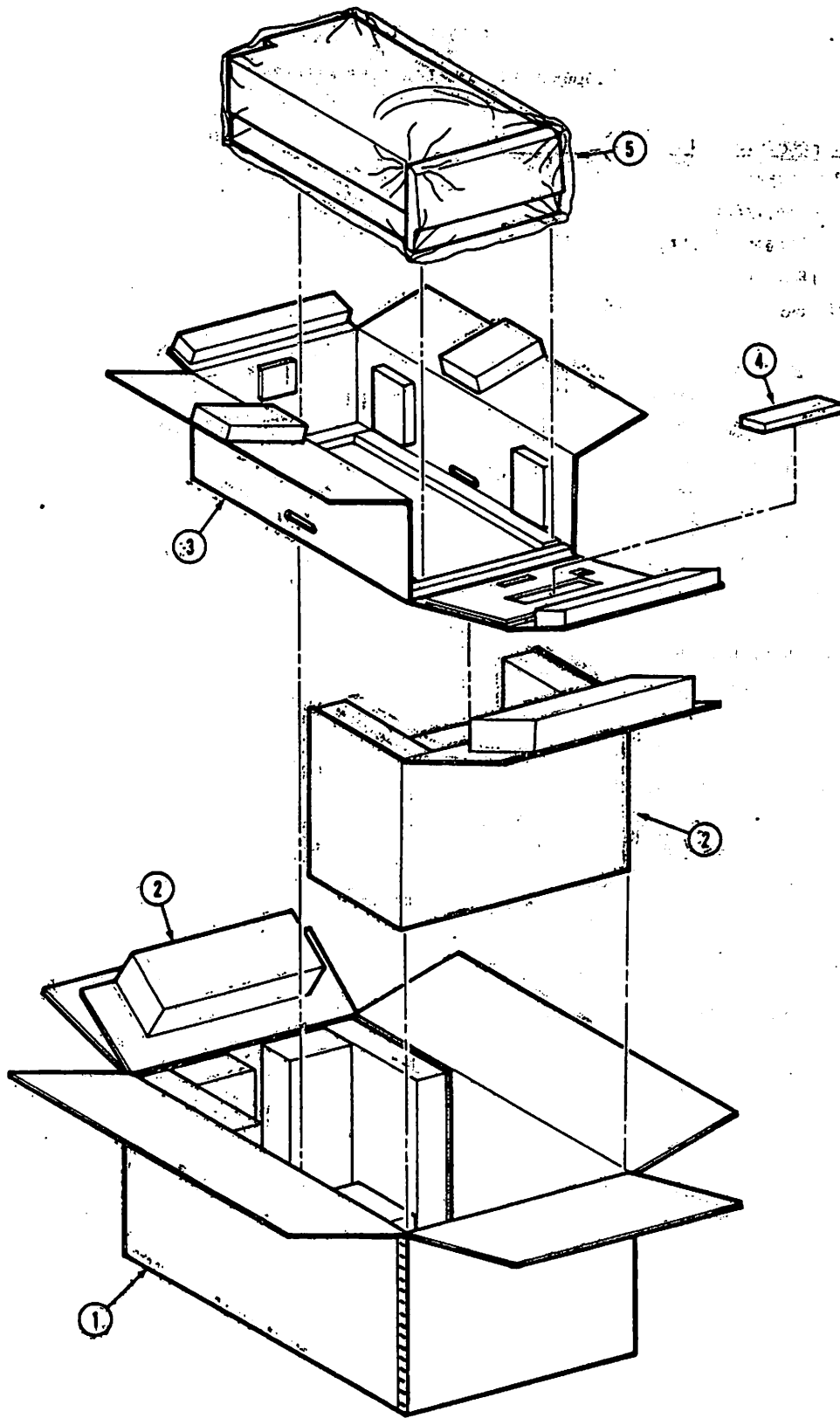
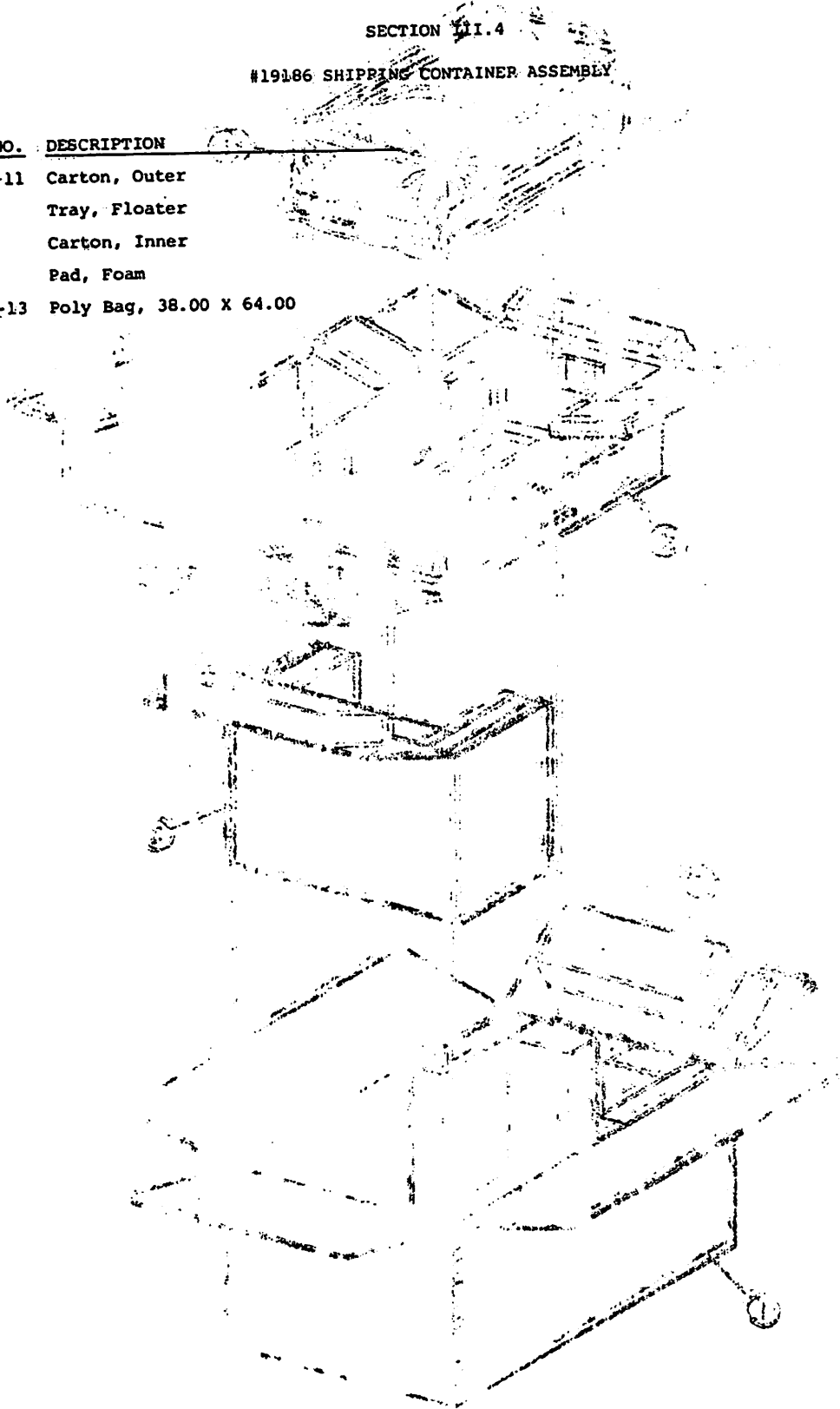


Figure 3-4
#19186 SHIPPING CONTAINER ASSEMBLY

SECTION 11.4

#19186 SHIPPING CONTAINER ASSEMBLY

ITEM	PART NO.	DESCRIPTION
1	16037-11	Carton, Outer
2	19185	Tray, Floater
3	19184	Carton, Inner
4	19194	Pad, Foam
5	41032-13	Poly Bag, 38.00 X 64.00



SECTION 11.1

MEMBERSHIP LIST

NAME	ADDRESS	PHONE
Mr. J. H. Smith	123 Main St.	555-1234
Mr. R. L. Jones	456 Oak St.	555-5678
Mr. T. K. Brown	789 Pine St.	555-9012
Mr. S. M. White	101 Elm St.	555-3456
Mr. D. N. Black	202 Maple St.	555-7890