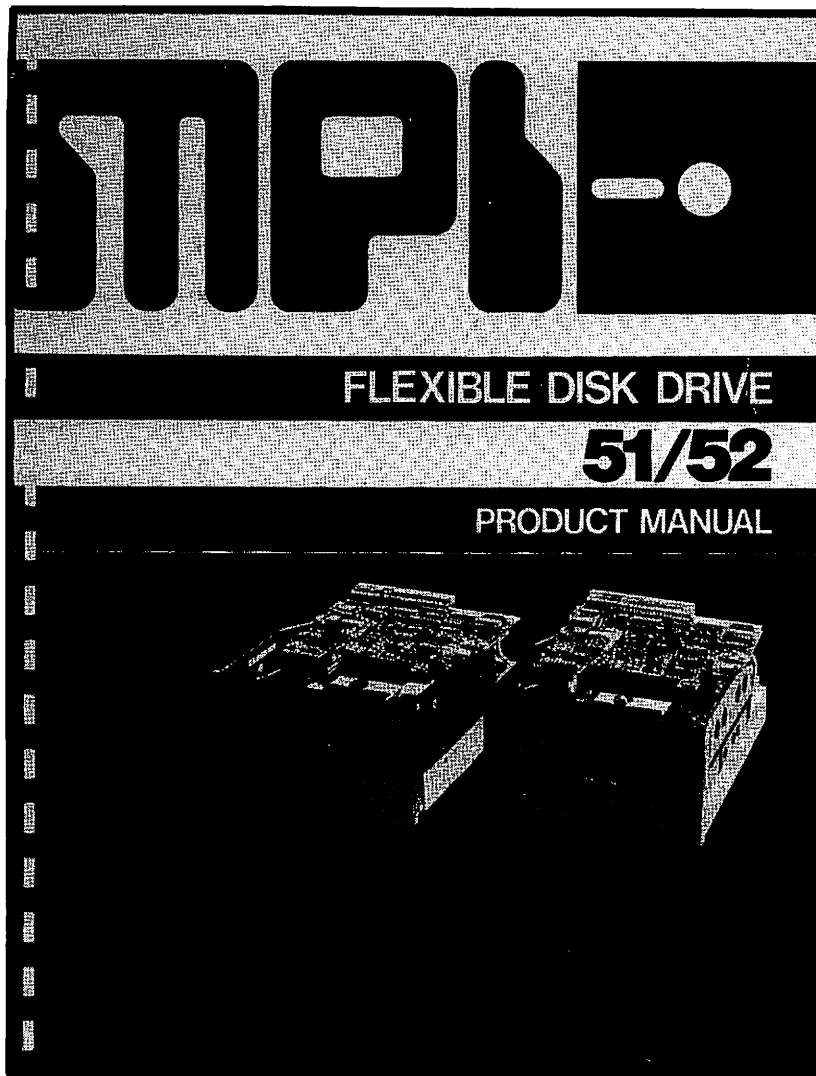


**WANG**

**III.A.15M-1**

**CUSTOMER ENGINEERING REPRINT  
FOR FLEXIBLE DISK  
DRIVE 51' 52**



**MAY 1982**

**REORDER NUMBER  
729-1114**

**WANG**

**III.A.15M-1**

**CUSTOMER ENGINEERING REPRINT**

**PRODUCT MAINTENANCE MANUAL  
FOR FLEXIBLE  
DISK DRIVE  
51' 52**

**MAY 1982**

**REORDER NUMBER  
729-1114**

### PROPRIETARY NOTICE

Information contained in this manual is copyrighted, and may not be duplicated in full or in part by any person without prior written approval from Micro Peripherals, Inc. (MPI)

The purpose of this manual is to provide the user of MPI's Model 51/52 Flexible Disk Drives with adequately detailed documentation necessary for efficient installation, operation, maintenance, and ordering of spare parts for the equipment supplied.

Every effort has been made to keep the information contained in this manual current and accurate as of the date of publication or revision. However, no guarantee is given or implied that the manual is error free, or that it is accurate with regard to any particular specification.

*Published April 1980*



9754 Deering Avenue  
Chatsworth, California 91311  
(213) 709-4202  
TWX: 910-494-1213

## TABLE OF CONTENTS

| SECTION 1 - GENERAL DESCRIPTION       |   | Page |
|---------------------------------------|---|------|
| 1.0                                   | Introduction . . . . .                            | 1-1  |
| 1.1                                   | Purpose of Equipment . . . . .                    | 1-1  |
| 1.2                                   | Physical Description . . . . .                    | 1-1  |
| 1.3                                   | Functional Description . . . . .                  | 1-2  |
| 1.4                                   | Specifications . . . . .                          | 1-3  |
| SECTION 2 - INSTALLATION AND CHECKOUT |   |      |
| 2.0                                   | Introduction . . . . .                            | 2-1  |
| 2.1                                   | Unpacking . . . . .                               | 2-1  |
| 2.2                                   | Installation . . . . .                            | 2-1  |
| 2.3                                   | Hardware . . . . .                                | 2-3  |
| 2.4                                   | Dust Cover . . . . .                              | 2-3  |
| 2.5                                   | Cooling . . . . .                                 | 2-4  |
| 2.6                                   | Input/Output Cable . . . . .                      | 2-4  |
| 2.7                                   | DC Power . . . . .                                | 2-4  |
| 2.8                                   | Operation . . . . .                               | 2-4  |
|                                       | 2.8.1 Flexible Diskette Loading . . . . .         | 2-4  |
|                                       | 2.8.2 Flexible Diskette Removal . . . . .         | 2-5  |
|                                       | 2.8.3 Diskette Handling Recommendations . . . . . | 2-5  |
| 2.9                                   | Initial Checkout . . . . .                        | 2-6  |
| SECTION 3 - INTERFACING REQUIREMENTS  |   |      |
| 3.0                                   | Introduction . . . . .                            | 3-1  |
| 3.1                                   | Input Lines . . . . .                             | 3-1  |
|                                       | 3.1.1 Line Termination . . . . .                  | 3-1  |
|                                       | 3.1.2 Programmable Shunt . . . . .                | 3-1  |
|                                       | 3.1.3 Drive Select 1 to 4 . . . . .               | 3-2  |
|                                       | 3.1.4 Motor On . . . . .                          | 3-2  |
|                                       | 3.1.5 Direction Select . . . . .                  | 3-3  |
|                                       | 3.1.6 Step . . . . .                              | 3-3  |
|                                       | 3.1.7 Write Gate . . . . .                        | 3-3  |
|                                       | 3.1.8 Write Data . . . . .                        | 3-3  |

TABLE OF CONTENTS (Continued)

| SECTION 3 - (Continued)                       | Page |
|---|------|
| 3.1.9 Side Select . . . . .                   | 3-3  |
| 3.1.10 In Use (optional feature) . . . . .    | 3-4  |
| 3.2 Output Lines . . . . .                    | 3-4  |
| 3.2.1 Track 00 . . . . .                      | 3-4  |
| 3.2.2 Index/Sector . . . . .                  | 3-4  |
| 3.2.3 Write Protect . . . . .                 | 3-4  |
| 3.2.4 Read Data . . . . .                     | 3-6  |
| 3.3 Connector J2 . . . . .                    | 3-6  |
| 3.4 Connector J1 . . . . .                    | 3-6  |
| <br>SECTION 4 - THEORY OF OPERATION           |      |
| 4.0 Introduction . . . . .                    | 4-1  |
| 4.1 How To Use The Drawings . . . . .         | 4-1  |
| 4.2 General Description . . . . .             | 4-2  |
| 4.2.1 Head Positioning Control . . . . .      | 4-5  |
| 4.2.2 Track 00 Sensor . . . . .               | 4-5  |
| 4.2.3 Spindle Drive Control . . . . .         | 4-6  |
| 4.2.4 Index Sensor . . . . .                  | 4-6  |
| 4.2.5 Head Load Mechanism . . . . .           | 4-6  |
| 4.2.6 Side Selection . . . . .                | 4-7  |
| 4.2.7 Data Recording and Retrieving . . . . . | 4-7  |
| 4.3 Detailed Descriptions . . . . .           | 4-10 |
| 4.3.1 Power up/Power down Logic . . . . .     | 4-10 |
| 4.3.2 Stepper Motor Control Logic . . . . .   | 4-11 |
| 4.3.3 Track 00 Logic . . . . .                | 4-12 |
| 4.3.4 Drive Motor Control Logic . . . . .     | 4-14 |
| 4.3.5 Index Logic . . . . .                   | 4-16 |
| 4.3.6 Head Load Logic . . . . .               | 4-16 |
| 4.3.7 Side Select Logic . . . . .             | 4-17 |
| 4.3.8 Write Protect Logic . . . . .           | 4-18 |
| 4.3.9 Write/Erase Logic . . . . .             | 4-19 |
| 4.3.10 Read Logic . . . . .                   | 4-19 |

TABLE OF CONTENTS (Continued)

| SECTION 5 - MAINTENANCE AND TROUBLESHOOTING |   | Page |
|---|---|------|
| 5.0   | Introduction . . . . .  | 5-1  |
| 5.1   | General Information . . . . .   | 5-1  |
| 5.2   | Tools Required . . . . .  | 5-2  |
| 5.3   | Preventive Maintenance . . . . .  | 5-2  |
|   | 5.3.1 Read/Write Head(s) and Load Pad Inspection .                      | 5-2  |
| 5.4   | Replacement Procedures . . . . .  | 5-3  |
|   | 5.4.1 Printed Circuit Board Assembly (PCBA) . . . .                     | 5-8  |
|   | 5.4.2 Shield Assembly . . . . .   | 5-8  |
|   | 5.4.3 Right-Hand Guide/Write Protect Assembly . . .                     | 5-8  |
|   | 5.4.4 Left-Hand Guide Assembly . . . . .                                | 5-9  |
|   | 5.4.5 Front Panel Bezel and Activity LED . . . . .                      | 5-10 |
|   | 5.4.6 Cone Assembly . . . . .   | 5-10 |
|   | 5.4.7 Carrier Assembly . . . . .  | 5-12 |
|   | 5.4.8 Index/Load Boss . . . . .   | 5-13 |
|   | 5.4.9 Solenoid . . . . .  | 5-14 |
|   | 5.4.10 Drive Motor . . . . .  | 5-15 |
|   | 5.4.11 Track 00 Sensor . . . . .  | 5-15 |
|   | 5.4.12 Door Button Assembly . . . . .                                   | 5-16 |
|   | 5.4.13 Stepper Pulley/Band Assembly . . . . .                           | 5-16 |
|   | 5.4.14 Stepper Motor . . . . .  | 5-20 |
|   | 5.4.15 Head/Carriage Assembly . . . . .                                 | 5-20 |
|   | 5.4.16 Ejector Assembly . . . . .                                       | 5-21 |
|   | 5.4.17 Spindle Bearings . . . . .                                       | 5-21 |
|   | 5.4.18 Head Load Pad Assembly . . . . .                                 | 5-25 |
|   | 5.4.19 Harness Assembly . . . . .                                       | 5-25 |
| 5.5   | Troubleshooting Guide . . . . .   | 5-28 |
|   | 5.5.1 Preliminary Troubleshooting Steps . . . . .                       | 5-28 |
|   | 5.5.2 Drive Won't Step or Steps Erratically . . . .                     | 5-28 |
|   | 5.5.3 Head/Carriage Oscillates at Track 00<br>(Restore Error) . . . . . | 5-29 |
|   | 5.5.4 Drive Motor Won't Rotate . . . . .                                | 5-29 |
|   | 5.5.5 Head Will Not Load . . . . .                                      | 5-29 |

TABLE OF CONTENTS (Continued)

| SECTION 5 - (Continued) |  | Page |
|-------------------------|--|------|
| 5.5.6                   | Bad Index Output . . . . .   | 5-29 |
| 5.5.7                   | Bad Write Protect Output . . . . .                                   | 5-30 |
| 5.5.8                   | Activity Indicator Does Not Light . . . . .                          | 5-30 |
| 5.5.9                   | Read Errors--All Tracks . . . . .                                    | 5-30 |
| 5.5.10                  | Read Errors--Random Tracks . . . . .                                 | 5-31 |
| 5.5.11                  | Read Error-Inside Tracks . . . . .                                   | 5-31 |
| 5.5.12                  | Cannot Read Prewritten Data; Can Read<br>Self-Written Data . . . . . | 5-31 |
| 5.5.13                  | Cannot Write Data . . . . .  | 5-32 |
| 5.5.14                  | Erase Bad . . . . .  | 5-32 |
| 5.5.15                  | Drive Speed Unstable . . . . .                                       | 5-32 |

SECTION 6 - ADJUSTMENTS AND MEASUREMENTS

|       |   |     |
|-------|---|-----|
| 6.0   | Introduction . . . . .  | 6-1 |
| 6.1   | Tools Required . . . . .                                      | 6-1 |
| 6.2   | Radial-Track Alignment . . . . .                              | 6-1 |
| 6.3   | Index-To-Data Alignment . . . . .                             | 6-4 |
| 6.4   | Track 00 Sensor Alignment . . . . .                           | 6-5 |
| 6.5   | Speed Control Adjustment . . . . .                            | 6-5 |
| 6.6   | Track 00 End Stop Adjustment . . . . .                        | 6-5 |
| 6.7   | Drive Belt Adjustment . . . . .                               | 6-6 |
| 6.7.1 | Mylar (Yellow) Drive Belt Adjustment . . . . .                | 6-6 |
| 6.7.2 | Neoprene (Black) Drive Belt Adjustment . . . . .              | 6-6 |
| 6.8   | Ejector Latch and Ejector Latch Release Adjustments . . . . . | 6-8 |
| 6.8.1 | Ejector Latch Adjustment . . . . .                            | 6-8 |
| 6.8.2 | Ejector Latch Release Adjustment . . . . .                    | 6-8 |
| 6.9   | Compliance Measurement . . . . .                              | 6-8 |
| 6.10  | Erase Measurement . . . . .                                   | 6-9 |
| 6.11  | High Frequency Playback Measurement . . . . .                 | 6-9 |

SECTION 7 - TRACK FORMAT AND DATA RECOVERY

|     |                                 |     |
|-----|---------------------------------|-----|
| 7.0 | Introduction . . . . .          | 7-1 |
| 7.1 | Write Precompensation . . . . . | 7-1 |

TABLE OF CONTENTS (Continued)

|   | Page |
|---|------|
| SECTION 7 - (Continued)                           |      |
| 7.2 Data Recovery . . . . .                       | .7-1 |
| 7.3 Track Format--Timing Considerations . . . . . | .7-1 |
| APPENDIX A - SPARE PARTS LIST . . . . .           | .A-1 |
| APPENDIX B - DRAWINGS AND SCHEMATICS . . . . .    | .B-1 |
| APPENDIX C - SIGNAL NAME DEFINITIONS . . . . .    | .C-1 |



## LIST OF ILLUSTRATIONS

| FIGURE |   | PAGE |
|--------|---|------|
| 2-1    | Outline and Mounting Dimensions . . . . .   | 2-2  |
| 2-2    | Diskette Orientation . . . . .  | 2-6  |
| 3-1    | Track Access Timing . . . . .   | 3-5  |
| 3-2    | Read Initiate Timing . . . . .  | 3-5  |
| 3-3    | Read Signal Timing . . . . .  | 3-5  |
| 3-4    | Write Initiate Timing . . . . .   | 3-5  |
| 3-5    | Write Data Timing . . . . .   | 3-5  |
| 3-6    | General Control and Data Timing Requirements (head<br>load solenoid is activated with drive select) . . . . . | 3-5  |
| 3-7    | Index Sector Timing (Soft Sector) . . . . .   | 3-5  |
| 3-8    | Index Sector Timing (Hard Sector) . . . . .   | 3-5  |
| 3-9    | DC Power Connector, J2 . . . . .  | 3-6  |
| 3-10   | J1 Connector Dimensions . . . . .   | 3-6  |
| 3-11   | Interface Signals - 51/52 . . . . .   | 3-7  |
| 3-12   | Shunt Configuration . . . . .   | 3-7  |
| 3-13   | Write Protect Option . . . . .  | 3-8  |
| 4-1    | Functional Block Diagram . . . . .  | 4-3  |
| 4-2    | Stepper Motor Logic . . . . .   | 4-4  |
| 4-3    | Read/Write Logic . . . . .  | 4-4  |
| 4-4    | Drive Motor Control Logic . . . . .   | 4-4  |
| 4-5    | Basic Recording Technique . . . . .   | 4-10 |
| 4-6    | Wave Forms in Read Sequence . . . . .   | 4-10 |
| 4-7    | Stepper Motor Control Timing . . . . .  | 4-13 |
| 4-8    | Motor Control Timing . . . . .  | 4-15 |
| 4-9    | Write Timing . . . . .  | 4-20 |
| 4-10   | Read Timing . . . . .   | 4-22 |
| 5-1    | Top View Disk Drive . . . . .   | 5-4  |
| 5-2    | Bottom View Disk Drive . . . . .  | 5-6  |
| 5-3    | Activity Indicator Assembly . . . . .   | 5-11 |
| 5-4    | Door Button Assembly . . . . .  | 5-17 |
| 5-5    | Stepper Pulley/Band Assembly . . . . .  | 5-18 |
| 5-6    | Ejector Assembly . . . . .  | 5-22 |

LIST OF ILLUSTRATIONS (Continued)

| FIGURE |  | PAGE |
|--------|--|------|
| 5-7    | Spindle Assembly . . . . .                   | 5-23 |
| 6-1    | Radial Track Alignment Pattern . . . . .     | 6-3  |
| 6-2    | Index-to-Data Alignment Pattern . . . . .    | 6-4  |
| 6-3    | Ejector Block and Latch - top view . . . . . | 6-7  |
| 6-4    | Carrier arm - top view . . . . .             | 6-7  |
| 6-5    | Ejector Assembly . . . . .                   | 6-7  |
| 7-1    | Typical Track Format . . . . .               | 7-2  |
| B-1    | PCBA Component Layout . . . . .              | B-2  |

LIST OF TABLES

| TABLE |  | PAGE |
|-------|--|------|
| 1-1   | Data Capacity Unformatted (K Bytes) . . . . .      | 1-3  |
| 1-2   | Mechanical and Electrical Specifications . . . . . | 1-4  |
| 2-1   | Recommended Connectors - PI . . . . .              | 2-3  |
| 4-1   | Write/Read and Side Selection Conditions . . . . . | 4-17 |
| 5-1   | Remove/Replace Adjustment Check List . . . . .     | 5-3  |
| 5-2   | Harness Assembly Wire List . . . . .               | 5-27 |

SECTION 1  
GENERAL DESCRIPTION

1.0        INTRODUCTION

This section provides a physical and functional description, and specifications for the Model 51/52 Flexible Disk Drives, manufactured by Micro Peripherals, Inc. In addition to the standard features described, the following additional features are included in all models:

- A.        "Write Protect" can be used as "Disk Installed" indication.
- B.        When using FM-encoding, an additional board can be plugged on for data separation.
- C.        Termination of input signals can be either 150 ohms or split 220/330 ohms.

1.1        PURPOSE OF EQUIPMENT

The Model 51/52 Disk Drive is a compact disk memory device designed for random-access data storage, data entry, and data output applications. Typical applications are intelligent terminal controllers, microcomputers, word processing systems, data communications systems, error logging, micro-program logging, and point-of-sale terminals. Model 51/52 is designed to meet and perform to ANSI specification.

1.2        PHYSICAL DESCRIPTION

Model 51/52 can be mounted vertically or horizontally. However, when mounted horizontally, it is recommended that the 51/52 be positioned so that the PCBA is on the top side. The mechanical components consist of an aluminum chassis, on which is mounted a spindle (belt-driven by a dc motor); a stepper motor/band combination for positioning the magnetic head assembly; and a cone/clutch assembly for centering and holding the recording media under operation. Access for diskette loading is at the front of the drive. The recording-head assembly is of a glass bonded ferrite/ceramic structure, with lifetime expectancy in excess of 20,000

hours. The electronic circuitry is mounted on a PCBA located on top of the drive. Power and interface signals plug directly into this board. The following basic circuits are included:

- A. Stepper motor control logic
- B. Read circuit.
- C. Write erase circuit.
- D. Spindle motor speed control.
- E. Index; Track 00 and Write Protect sensing.
- F. Head load driver.

### 1.3 FUNCTIONAL DESCRIPTION

Model 51/52 is self-contained and requires no operator intervention during operation. The drive consists of a media-rotating system, a head-load and positioning system, and a write/erase and read system. When the front door is opened, access for inserting the diskette is provided. When inserting the diskette, all positions except in/out are controlled by physical guides internally. Correct in/out is assured by inserting the diskette until a "click" is heard. Closing the front door activates the cone/clutch system which serves two purposes in the following order:

- A. Correct centering of the media.
- B. Clamping the media to the spindle hub.

The spindle hub rotates at a constant speed of 300 rpm by means of a DC motor/tachometer and a reference in a closed-loop system. When in operation, it is important that the head-to-media relationship be controlled. This is accomplished by the head-load system in the following way: The media is pressed against a reference platen which is referenced to the head and the spindle hub; and a pressure pad is loaded against the media on the opposite side of the head with a force of approximately 17 gr. The recording head is positioned over the correct track by means of a four-phase stepper motor/band direct-drive mechanism,

and its associated electronics. A one-step movement causes a one-track movement. With band positioning, very high step rates can be accomplished with the 51/52 system. When a Write Protected diskette is inserted, the write protect sensor normally disables the write/erase circuits in the drive. When writing, a .013 inches (nominal) data track is recorded, followed by a tunnel erase which trims the track down to 0.12 inches (nominal). Data recovery electronics include a low-frequency amplifier, a differentiator, a cross-over detector, a digital filter, and a final pulse generator. For FM recording a data decoder may be added to achieve separated clock and data pulses on the I/O connector.

#### 1.4 SPECIFICATIONS

The mechanical and electrical specifications for the Model 51/52 Flexible Disk Drives are given in Table 1.2. Data capacity for the Model 51/52 Flexible Disk Drives is given in Table 1.1.

TABLE 1-1  
DATA CAPACITY UNFORMATTED (K BYTES)

| PARAMETER | SINGLE DENSITY<br>(FM) |       | DOUBLE DENSITY<br>(MFM, M <sup>2</sup> FM) |       |
|-----------|------------------------|-------|--|-------|
|           | 51                     | 52    | 51   | 52    |
| Track     | 3.13                   | 3.13  | 6.25                                       | 6.25  |
| Disk      | 125                    | 218.8 | 250  | 437.5 |

TABLE 1-2  
MECHANICAL AND ELECTRICAL SPECIFICATIONS

| PARAMETER                       | CHARACTERISTICS   |
|---------------------------------|---|
| Media                           | ANSI standard 5 1/4 inch diskette   |
| Number of Tracks                | 40/51 80/52   |
| Track Density                   | 48 TPI  |
| Rotational Speed                | 300 rpm $\pm$ 1 1/2%  |
| Average Latency                 | 100 msec  |
| Head loading time               | 35 msec   |
| Access time                     | 5 msec, track-to-track  |
| Head settling time              | 15 msec   |
| Head life                       | 20,000 hours  |
| Media life                      | 3 x 10 <sup>6</sup> passes on a single track  |
| Recording method                | FM, MFM, M <sup>2</sup> FM  |
| Recording density               | 2938/5876 bpi max.  |
| Flux density                    | 5876 fci max.   |
| Data-transfer rate              | 125K/250K bits/sec.   |
| Power-up Delay                  | 0.5 sec   |
| Height                          | 3.25 inches (8.255 cm)  |
| Width                           | 5.75 inches (14.605 cm)   |
| Length                          | 7.6 inches (19.30 cm)   |
| Weight                          | 3.0 pounds (1.36 kg)  |
| Power                           | +12 VDC $\pm$ 5%, 0.8A (1.5A surge), .2V ripple<br>+5 VDC $\pm$ 5%, 0.4A, .1 V ripple |
| Typical Power Dissipation       | 12W Operation<br>6W Standby   |
| Operating Temperature           | 40°F to 115°F (4.4°C to 46.1 C)   |
| Non Operating Temperature       | -40°F to 160°F (-40°C to 71°C)  |
| Operating Humidity              | 20% to 80% (noncondensing)  |
| Non Operating Humidity          | 5% to 95% (noncondensing)   |
| Operating Altitude              | -500 ft to 10,000 ft (-152.4m to 3,048m)  |
| Non Operating Altitude          | -1000 ft to 50,000 ft (-304.8m to 15,240m)  |
| Vibration and Shock (Operating) | 6 to 600 Hz, 0.5g   |
| MTBF                            | 9,200 Hours   |
| MTTR                            | 0.5 Hours   |

SECTION 2  
INSTALLATION AND CHECKOUT

2.0      INTRODUCTION

This section provides the information and procedures necessary to place Model 51/52 Flexible Disk Drives into operation.

2.1      UNPACKING

During unpacking, care must be exercised to ensure that all tools are non-magnetic and do not inflict damage to the unit. As the unit is unpacked, inspect it for possible shipping damage. All claims for this type of damage should be filed promptly with the transporter involved. If a claim is filed for damages, save the original packing material. Most packing material may be reuseable if reasonable care is used in unpacking. Unpack the drive as follows:

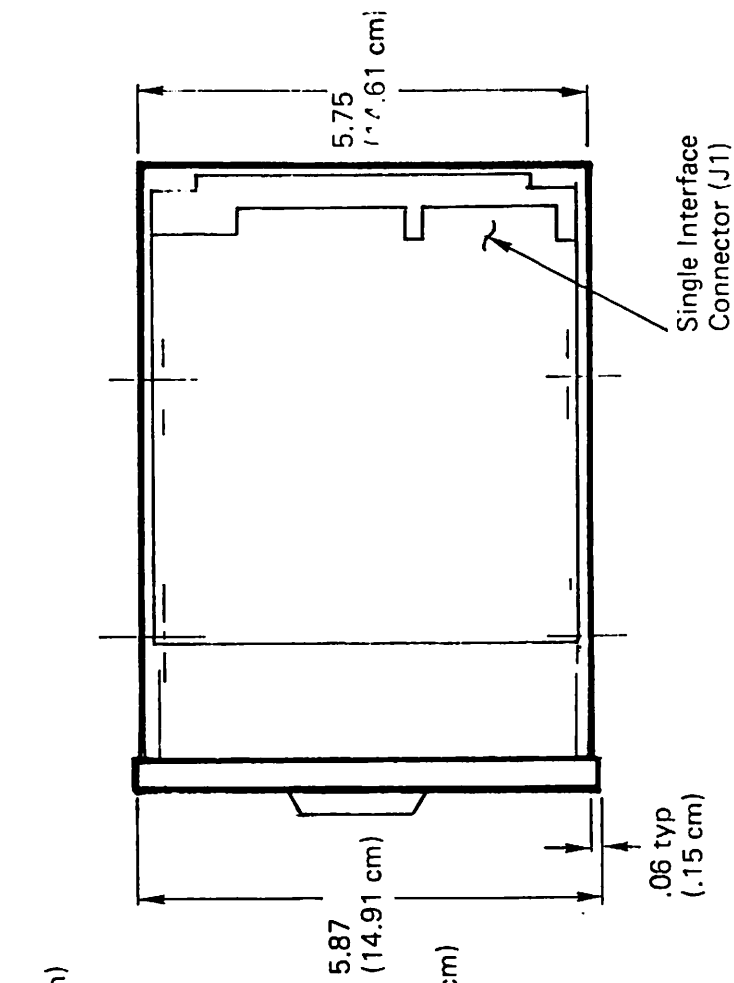
- A.      Remove external packing material carefully.
- B.      Remove the drive from the container.
- C.      Remove internal packing materials, following instructions provided on the package.
- D.      Ensure that front access door opens and closes, and that the head-load arm raises when door is opened.
- E.      Ensure that bezel is secured.
- F.      Ensure that drive hub manually rotates freely.
- G.      Ensure that stepper motor/head carriage assembly is not binding at any point, by manually moving carriage back and forth.

2.2      INSTALLATION

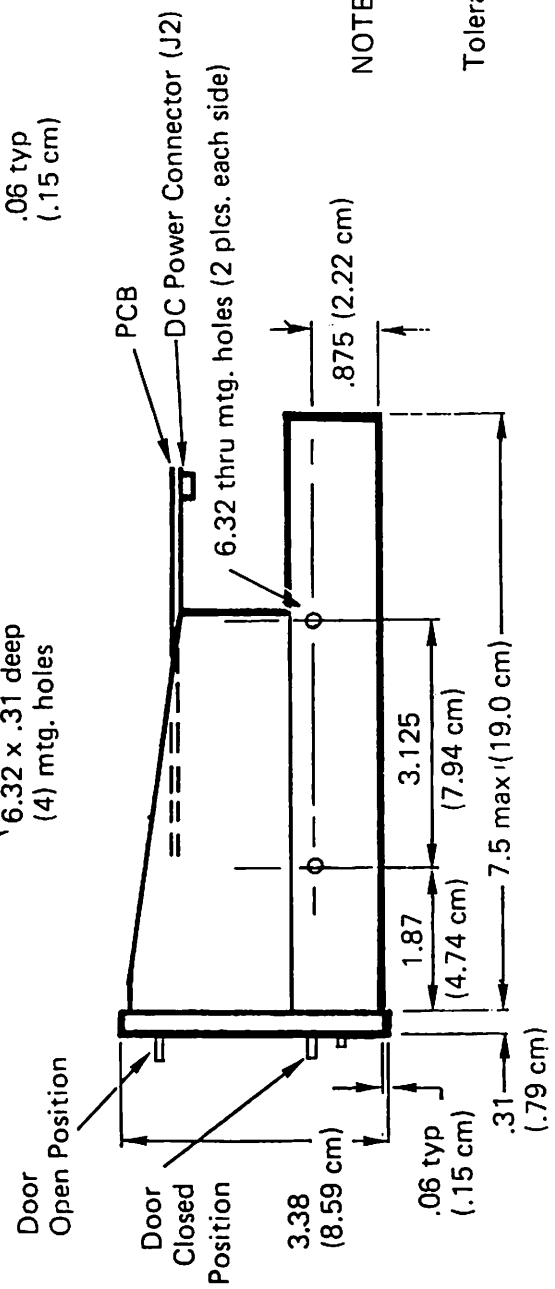
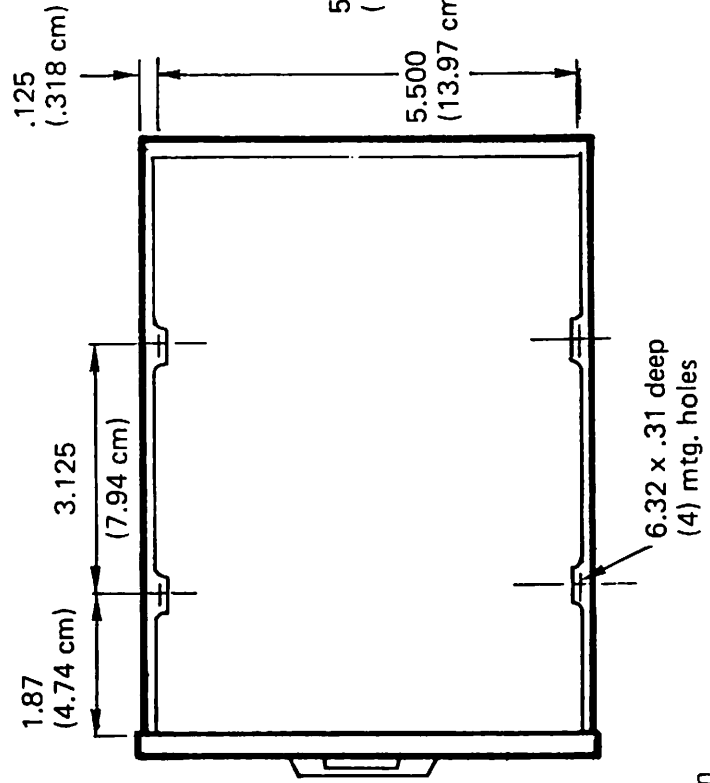
Due to its small size and light weight, Model 51/52 can be installed or mounted in any convenient location or position. However, the drive must be installed in a location that will prevent the I/O cable from exceeding 10 feet in length. Refer to Figure 2-1 for dimensions and mounting provisions.



Top View



Bottom View



NOTE: Unless otherwise stated, dimensions are in inches.

Tolerances: .xxx ± 0.010  
 .xx ± 0.020

Figure 2-1: Outline and Mounting Dimensions

Side View

### 2.3 HARDWARE

The flexible disk drive is a precision device in which certain critical internal alignments must be maintained. Therefore, in keeping with rigid disk requirements, it is important that the mounting hardware does not introduce significant stress on the drive. Any mounting scheme in which the drive is part of the structural integrity of the enclosure is not permitted. Since the disk drive cannot be subjected to significant stress when it is slide mounted, this type of mounting generally satisfies the foregoing requirements. Mounting schemes should allow for adjustable brackets or incorporate resilient members to accommodate tolerances. Mounting schemes involving more than two hard mounting points and a third point should be avoided.

### 2.4 DUST COVER

Since the flexible disk drive is not provided with a dust cover, the design of an enclosure should incorporate a means to prevent direct ingress of loose items, e.g., dust, paper punch waste, etc.

Table 2-1  
RECOMMENDED CONNECTORS - P1

| TYPE OF CABLE    | MANUFACTURER    | CONNECTOR P/N | CONTACT P/N |
|------------------|-----------------|---------------|-------------|
| Twisted Pair, 26 | AMP             | 583717-S      | 1-583616-1  |
| Flat Cable       | 3M "Scotchflex" | 3463-0001     | N.A.        |

## 2.5 COOLING

Heat dissipation from a single disk drive is normally 15 watts (40 Btu/Hr). When the drive is mounted so that the components have access to free flow of air, normal convection cooling allows operation over the specified temperature range. When the drive is mounted in a confined environment, air flow may have to be provided to maintain specified air temperatures in the vicinity of the motors, PCBA, and the diskette.

## 2.6 INPUT/OUTPUT CABLE

Refer to Table 2-1 for cable connector part number and attachment. The maximum cable length from connector to connector is 10 feet. All inputs and outputs are paired, one line for function, one for ground. Figure 3-11 provides information relative to the connector pin/signal assignments for I/O cable.

## 2.7 DC POWER

DC power to the drive is via connector P2/J2, which is located on the non-component side of the PCBA near the spindle motor. The drive uses +12V DC and +5V DC. Table 1-1 outlines the voltage and current requirements. The connector is an AMP Mate-N-Lock Part No. 1-480424-0.

## 2.8 OPERATION

The Model 51/52 Flexible Disk Drive is under direct control of the interface and power sources. No special start-up procedures are necessary. Secure both power and I/O connectors prior to disk loading.

### 2.8.1 Flexible Diskette Loading

- A. Apply DC power to drive.
- B. Open drive door by pushing door latch button.

- C. Remove diskette from its storage envelope and insert in the drive. The index hole must be on the left side of the jacket and the label on the right towards the door. Push the diskette forward until a "click" is heard. (See Figure 2-2).
- D. Close door by pushing door down until latch secures the door.

#### 2.8.2 Flexible Diskette Removal

- A. Open the drive door by pushing door latch button. The flexible diskette will automatically be ejected to a position where it can be easily removed.
- B. Always store the diskette in its storage envelope in order to maintain the highest data integrity.
- C. Close drive door.

#### 2.8.3 Diskette Handling Recommendations

Since the recorded diskette contains vital information, reasonable care should be exercised in its handling. Longer diskette life and trouble-free operation will result if the following recommendations are followed:

- A. Do not use a writing device which deposits flakes (i.e., lead or grease pencils) when writing on a diskette jacket label.
- B. Do not fasten paper clips to diskette jacket edges.
- C. Do not touch diskette surface exposed by jacket slot.
- D. Do not clean diskette in any manner.
- E. Keep diskette away from magnetic field and from ferro-magnetic materials that may be magnetized.
- F. Return diskette to envelope when removed from drive.
- G. Protect diskette from liquids, dust and metallic substances at all times.

H. Do not exceed the following storage environmental conditions:

Temperature: 50°F to 125°F (10°C to 51°C)

Relative Humidity: 8% to 80%

Maximum Wet Bulb: 85°F (29.4°C)

I. Diskette should be stored when not in use.

## 2.9 INITIAL CHECKOUT

The following procedure should be used to determine that the Model 51/52 is operational. This procedure assumes that the drive is installed, I/O cable and power are connected, and that the steps in 2.1 have been completed.

- A. Apply low level signal to MOTOR ON and assure that spindle hub rotates in correct direction (clockwise from top of drive).
- B. Load the diskette and apply a head-load command to the drive. Check that head-load solenoid actuates and indicator lights on front panel. Select proper device address.
- C. Apply stepping and direction commands to the unit. Verify that the actuator steps as commanded.
- D. Remove all command signals, turn power off and return diskette to its storage.

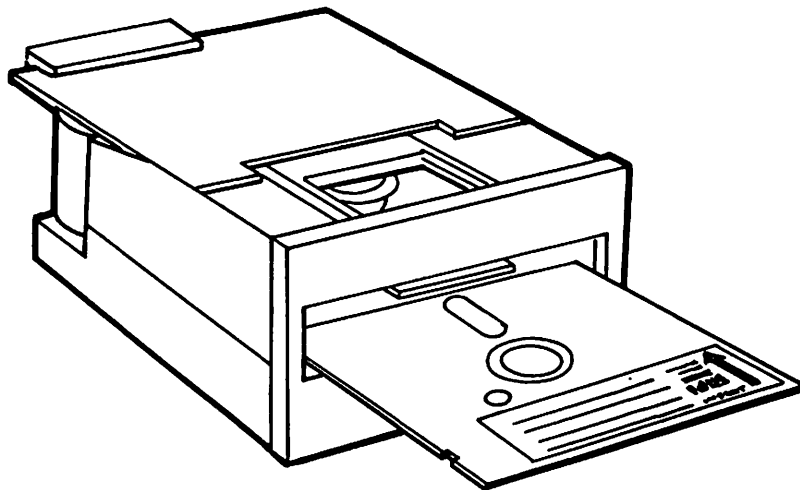


Figure 2-2: Diskette Orientation

SECTION 3  
INTERFACING REQUIREMENTS

3.0 INTRODUCTION

This section contains the interfacing requirements between the host system and the Model 51/52 Flexible Disk Drive. Communication is established via two connectors. Connector J1 establishes a communication link for all input/output signals. These signals are TTL compatible. Connector J2 provides DC power to the device.

3.1 INPUT LINES

The input control lines have the following electrical specifications:

- A. True, Logical Zero = 0V to 0.4V (@  $I_{in}$  = 48 ma max).
- B. False, Logical One = +2.5V to +5V (open collector @  $I_{out}$  = 250  $\mu$ a max).

3.1.1 Line Termination

The signal interface used by Model 51/52 is of the "bus" or "daisy-chain" type. Only one 51/52 unit is logically connected to the interface at any given time. All input signals are terminated directly by a 150 ohm or a 220/330 ohm resistor network. In a daisy-chain configuration, only the last device in the daisy chain should have the terminating network; while in a star configuration, every device should be terminated.

3.1.2 Programmable Shunt

The main function of this device is to assign the proper address to the drive in a multi-drive configuration. In addition, it also determines when the head-load solenoid should be activated by using either position 1-14 (with Select) or 7-8 (with Motor On). If position 5-10 is left shorted, the drive is essentially always selected, but the activity light will not come on, and the solenoid will not be activated until the drive position is selected. The

programmable shunt is AMP P/N 435704-16 (MPI P/N 1-79600-001). For convenience, the programmable shunt could be replaced by a dip switch, AMP P/N 4-35626-4 (MPI P/N 1-79601-001). (If dip switch is used, maximum height is exceeded by .150.) The seven lines channeled through the shunt are:

|                             | Designator | Pins |
|-----------------------------|------------|------|
| a. Head Solenoid w/Select   | T1         | 1-14 |
| b. Drive Select 1           | T2         | 2-13 |
| c. Drive Select 2           | T3         | 3-12 |
| d. Drive Select 3           | T4         | 4-11 |
| e. MUX (Grounded)           | T5         | 5-10 |
| f. Drive Select 4           | T6         | 6-9  |
| g. Head Solenoid w/Motor On | T7         | 7-8  |

### 3.1.3 Drive Select 1 to 4

The Select lines provide a means of selecting and deselecting one of the four disk drives attached to the controller. When the signal logic level is true (low), the disk drive electronics are activated, the head is loaded, and the drive is conditioned to respond to step or read/write commands. When the logic level is false (high), the input control lines and output status lines are disabled. A select line must remain stable in the true (low) state until the execution of a step or read/write command is completed. After the desired device is selected, allow a 35 msec delay before initiating a read (see Figure 3-2).

### 3.1.4 Motor On

This input is provided to extend the life of the DC spindle motor. The motor should be turned off if no activity is required of the Model 51/52 after 10 revolutions of the diskette. A minimum of 1.0 second is required before performing a read or write after a MOTOR ON command is transmitted to the device (see Figures 3-2 and 3-4).

### 3.1.5 Direction Select

The direction of motion of the Read/Write head is defined by the state of this input line. A true (low) level defines direction as "IN" (towards center of the disk); a false (high) level defines the direction as "OUT" (see Figure 3-1).

### 3.1.6 Step

Together with the direction line, a single pulse on this input will move the Read/Write head one track in or out, dependent on the state of the direction line. The motion of the head is initiated on the trailing edge of step pulse. A minimum of  $0.2\mu\text{s}$  pulse width at a maximum frequency of 200 Hz should be maintained to assure step integrity (see Figure 3-1).

### 3.1.7 Write Gate

When true, this input line permits writing of data. When inactive, it permits transmitting data to the controller. Allow a minimum of 1 msec after dropping write gate before expecting valid Read Data (see Figures 3-4 and 3-6).

### 3.1.8 Write Data

This input, in conjunction with the write gate input, provides data to be written on the diskette. The frequency of the write oscillator should be held within 0.1% with a pulse width of a minimum of  $0.2\mu\text{sec}$  and maximum of  $3.5\mu\text{sec}$ . The frequency is dependent upon the encoding scheme used and the density option exercised (see Figures 3-4 and 3-5). It is recommended that the first leading edge of Write Data occurs no sooner than  $4\mu\text{sec}$  and no later than  $8\mu\text{sec}$  after leading edge of Write Gate. The same recommendation exists for the last Write Data and trailing edge of Write Gate.

### 3.1.9 Side Select

This input is used to select either the upper or lower head. A  $35\mu\text{sec}$  delay should be allowed for the read amp to recover after a head select event occurs.



Only then will valid data be present. (For Model 51, this line should always be high.)

### 3.1.10 In Use (optional feature)

This line is connected to a driver which could be used for an indicator light, or a solenoid for latching the front door.

## 3.2 OUTPUT LINES

The control output signals are driven with an open-collector output stage capable of sinking a maximum of 48 ma at logical zero as true state with maximum voltage of 0.4V measured at the driver. When the line driver is in a logical one or false state, the collector cutoff current is a maximum of 250 $\mu$ a.

### 3.2.1 Track 00

This output, when true, indicates that the Read/Write head(s) are located over Track 00.

### 3.2.2 Index/Sector

Once every revolution, a pulse is transmitted to the controller indicating the beginning of a track, but only if a single hole diskette is used. If multi-hole media is used in conjunction with the index, sector pulses (10, 16) will also be transmitted to the host system. Leading edge of sector to leading edge of index is 6.25 msec  $\pm$  .07 msec for 16-sector media (see Figures 3-7 and 3-8).

### 3.2.3 Write Protect

This interface signal is provided by the drive to give the user an indication that a write protected or read-only diskette has been installed (see figure 3-13). This output is false when the diskette is not write protected. This line may easily be used as a Disk Installed Indicator, if only write protected disks are used.

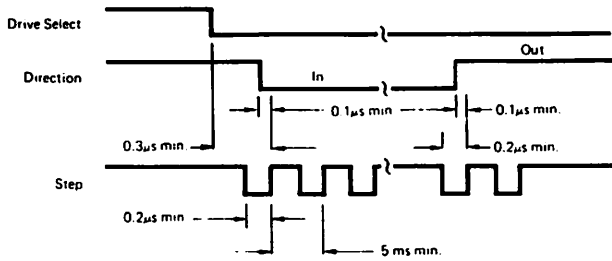


Figure 3-1 Track Access Timing

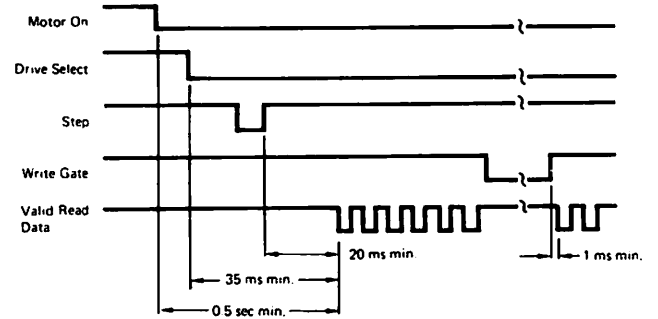


Figure 3-2 Read Initiate Timing

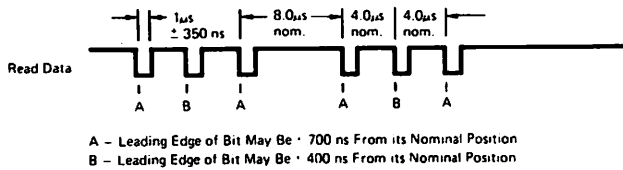


Figure 3-3 Read Signal Timing

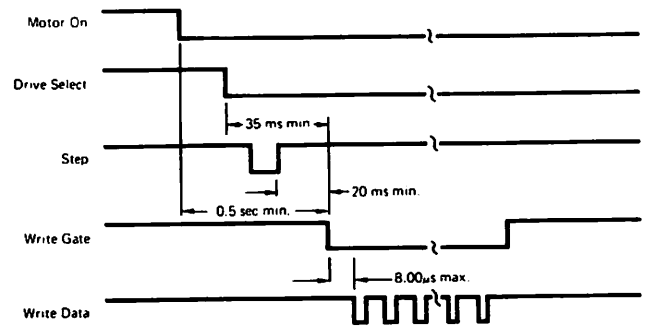


Figure 3-4 Write Initiate Timing

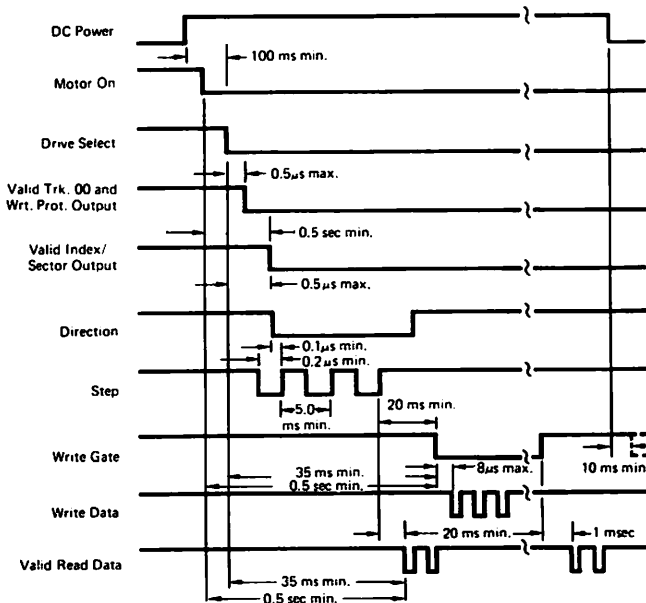


Figure 3-6 General Control and Data Timing Requirements (Head Load Solenoid is Activated with Drive Select)

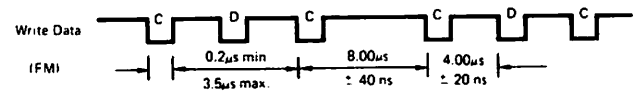


Figure 3-5 Write Data Timing

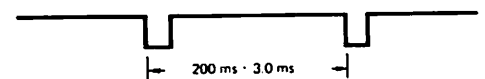


Figure 3-7 Index Sector Timing (soft sector)

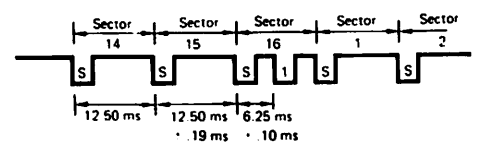


Figure 3-8 Index Sector Timing (hard sector)

### 3.2.4 Read Data

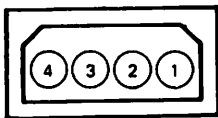
This output represents digitized data as detected by the drive electronics. Information transmitted will be in the encoding scheme used. Pulse width of both clock and data bits will be  $1\mu\text{ sec} \pm 350\text{ nsec}$ . Maximum bit shift for a clock is  $\pm 700\text{ nsec}$  while that for data is  $\pm 400\text{ nsec}$  from their nominal bit positions (see Figure 3-3). The leading edge of each Read Data pulse represents the true position of the flux transition on the recording media.

### 3.3 CONNECTOR J2

The DC power connector is located on the non-component side of the printed circuit board. The recommended mating connector is AMP P/N 1-480424-0 using AMP pins P/N 60619-1

### 3.4 CONNECTOR J1

Connection to J1 is through a 34-pin PCBA edge connector. Even numbered pins are located on the component side while odd numbered pins are located on the solder side. A key slot is provided between pins 4 and 6. The recommended connector is 3M Scotchflex P/N 3463-001, or AMP P/N 583717-5 using AMP contacts P/N 1-583616-1



- Pin 1 +12V DC
- Pin 2 12V Return
- Pin 3 5V Return
- Pin 4 +5V DC

Figure 3-9 DC Power Connector, J2

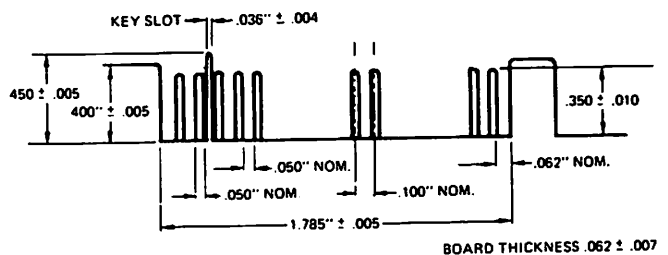
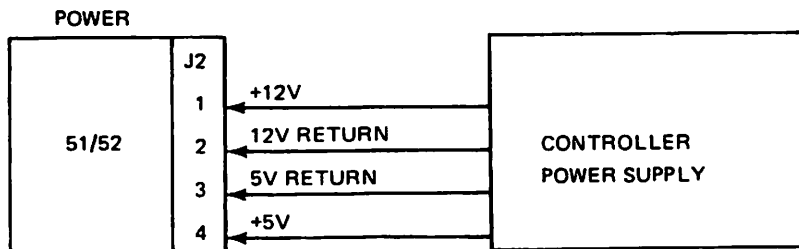
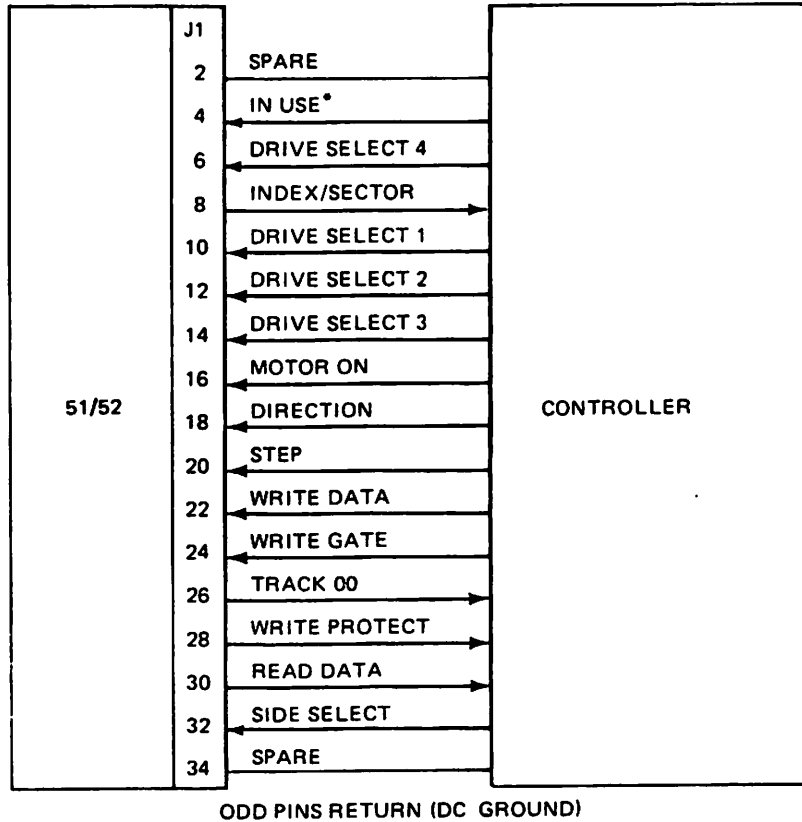


Figure 3-10 J1 Connector Dimensions



\* In use may be configured as Door Lock or Activity Light.

Figure 3-11 Interface Signals – 51/52

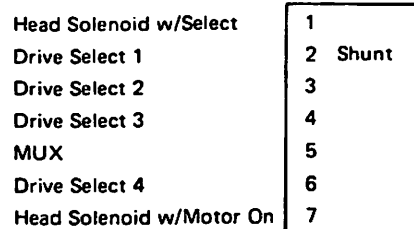
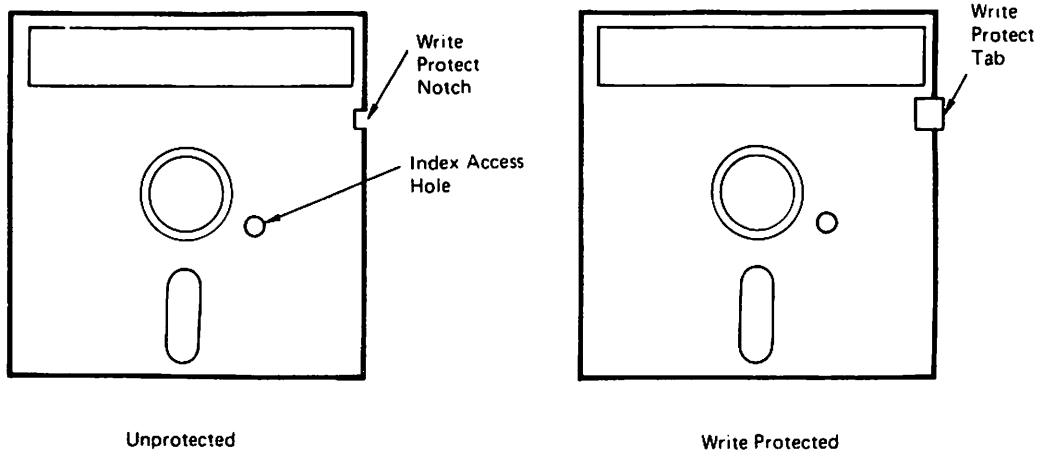


Figure 3-12 Shunt Configuration



**Figure 3-13 Write Protect Option**

## SECTION 4

### THEORY OF OPERATION

#### 4.0 INTRODUCTION

This section describes the operation of the Model 51/52 Flexible Disk Drives. The text is referenced to block and timing diagrams in this section and to detailed schematics in Appendix B. A signal list is contained in Appendix C. The organization of material in this section is as follows:

- A. A discussion of the use of the detailed drawings: logic levels, signal tracing, component locations, etc.
- B. A general description of the electronics and mechanics of the disk drive.
- C. A detailed description of the electronics and mechanics of the disk drive.

#### 4.1 HOW TO USE THE DRAWINGS

Drawing 4-04002-001, two sheets, illustrates the electronics of the disk drive. The electronics of the drive is completely contained on one printed circuit board (PCB) located on the top of the drive. Components are installed on the PCB using the grid system. Columns on the board are number annotated; rows on the board are letter annotated. On the drawing sheets IC's have a number/letter designator inside the component symbol. This number/letter designator physically locates the component on the PCB.

In general, input signal are shown entering the drawing sheets from the left, and output signals are shown leaving the drawing sheets to the right. Preceding or following some signal lines is a three digit alphanumeric designator enclosed in parenthesis. These designators locate the source or destination of the signal.

The first number of the designator references a sheet of the drawing. The letter in the designator references a letter row on the designated sheet of the drawing. The final number of the designator references a number column of the drawing. Note that the drawings are prepared on a letter/number grid.

The sense of logic signals within the disk drive is: zero volts is the true, or active, state and plus 3.4 volts is the false, or inactive, state. Note that the voltage levels are actually: 0V DC to +0.4V DC and +2.4V DC to +5V DC. A slash (/) following a signal term on the drawing indicates that this signal is active in the high state.

To reduce "clutter" on the drawing sheets, the component part numbers are listed at the bottom of the sheets.

#### 4.2 GENERAL DESCRIPTION

The basic functions of the flexible disk drive are to record and read digital data on a diskette, and to receive and generate the control signals necessary for completion of the read/write functions. All of the electronics of the disk drive are contained on a single printed circuit board (PCB).

#### NOTE

There is no difference between the PCB for Model 51 (single head) and the PCB for Model 52 (dual head).

Figure 4.1 is a functional block diagram of the following mechanical and electrical components of the disk drive:

- A. Head positioning control
- B. Track 00 sensor

- C. Spindle drive control
- D. Index sensor
- E. Head load mechanism
- F. Side selection
- G. Data recording and retrieving
  - 1. Write protect sensor
  - 2. Write/erase control
  - 3. Data recording
  - 4. Data reading

Figures 4-2, 4-3, and 4-4 are block diagrams illustrating the functions of certain of the preceding components.

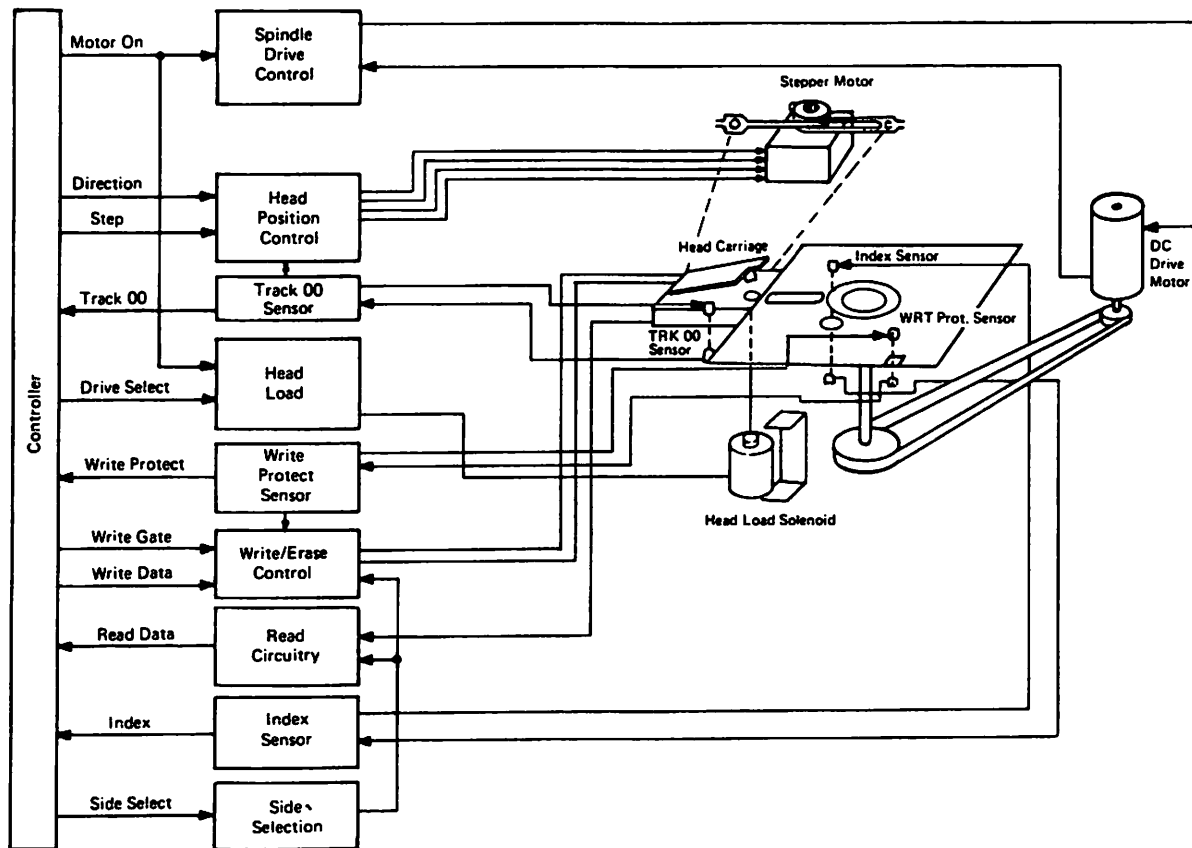


Figure 4-1: Functional Block Diagram



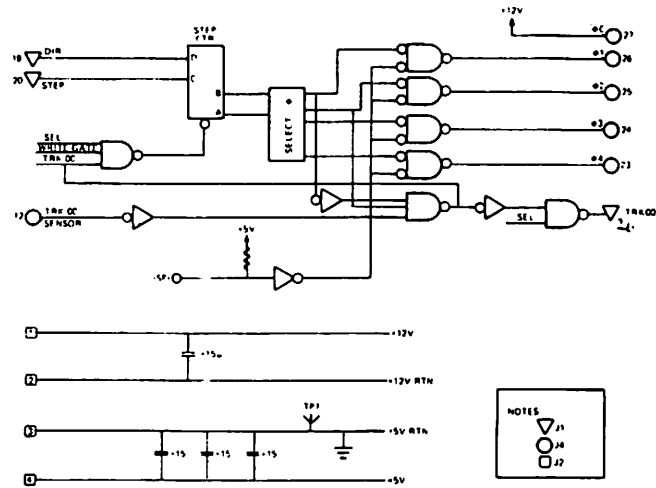


Figure 4-2: Stepper Motor Logic

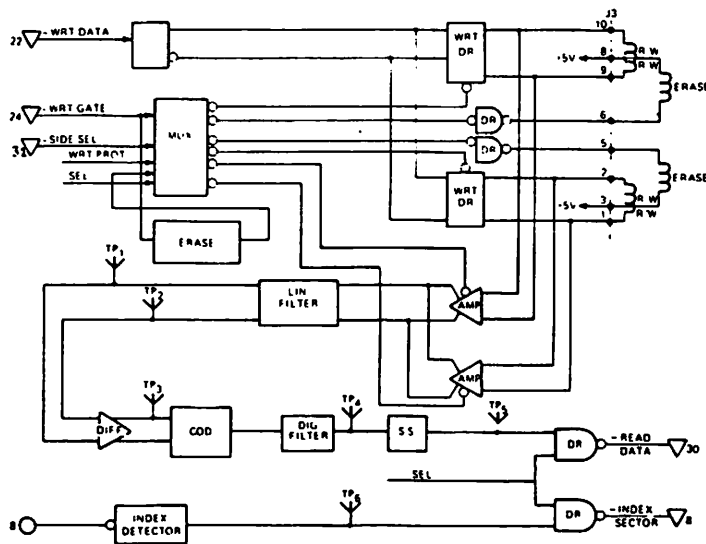


Figure 4-3: Read/Write Logic

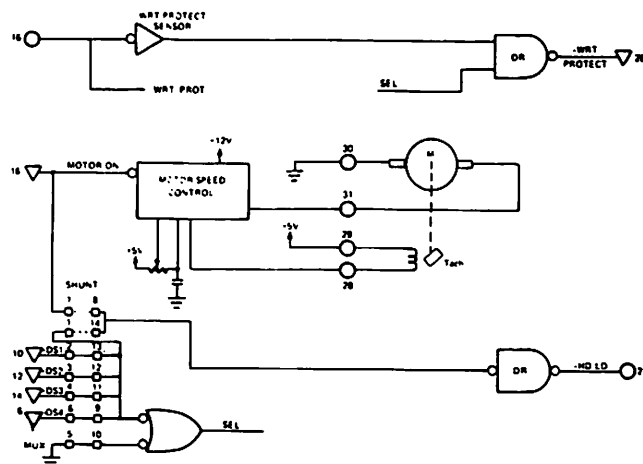


Figure 4-4: Drive Motor Control Logic

#### 4.2.1 Head Positioning Control (See Figure 4.2)

The head positioning circuit comprises a four-phase stepper motor/pulley/band combination for converting rotational to linear motion. The pulley/band is attached to the head carriage. Signals from the stepper motor control logic drive the stepper motor which, through the pulley/band, move the head carriage assembly. The stepper motor control logic responds to signals from the user-supplied interface.

The four-phase stepper motor operates in a "two-phase on" mode. One step of the motor equals a one-track linear motion of the head(s). This one-to-one ratio results in high positioning accuracy and high step rates. When positioned at Track 00 the correct phases on are 4 and 1. To move the head(s) toward the center of the diskette, with the DIRECTION line high, the correct phase sequence is as follows:

| <u>TRACK</u> | <u>PHASES ON</u> |
|--------------|------------------|
| 00           | 4 and 1          |
| 01           | 1 and 2          |
| 02           | 2 and 3          |
| 03           | 3 and 4          |
| 04           | 4 and 1          |

#### 4.2.2. Track 00 Sensor

The track 00 sensor comprises a light source (LED) and a phototransistor positioned on either side of a shutter mounted on the head carriage assembly. The output of this photo detector connects to a conditioning circuit that converts the output of the phototransistor to digital TTL levels. When the head positioning

logic positions the head over track 00, the output of the conditioning circuit is a low-true logic level on the TRACK 00 interface line. This signal also inhibits the stepper motor circuitry from responding to any "step out" command.

#### 4.2.3 Spindle Drive Control (See Figure 4-4)

The spindle is rotated, via a belt, by a DC motor/ AC tachometer combination. The electronics for speed control takes timing information from the tachometer (A), compares it with a reference time (B), and generates a driving voltage for the spindle motor proportional to the difference between (A) and (B). When the MOTOR ON interface line is true the control circuit allows the motor to come up to speed. The control circuit also includes a section that disables the motor drive in case of no tachometer output for approximately 150 milliseconds. (possible indication of a binding spindle or motor). The diskette is held on the spindle hub by a clamping mechanism which actuates in conjunction with the front door.

#### 4.2.4 Index Sensor

The LED and phototransistor in the index sensor photo detector are mounted on opposite sides of the index hole in the diskette. The index hole acts as the shutter. When the light beam from the LED passes through the diskette hole and strikes the phototransistor, the output of the phototransistor, through a conditioning circuit, generates a low true logic level on the INDEX interface line. The position of the phototransistor is adjustable.

#### 4.2.5 Head Load Mechanism

The head load mechanism consists of a head load solenoid and a head load solenoid driver.

The interface logic may be connected to energize the solenoid via either DRIVE SELECT or MOTOR ON interface signals (see paragraph 3.1.2). Activating the solenoid causes the diskette to be pressed against a fixed platen and a spring loaded load arm with a felt pad (Model 51) or upper head (Model 52) opposite the head to press the diskette against the head. This load arm is lifted when the front access door is opened regardless of the state of the solenoid.

#### 4.2.6 Side Selection

The Model 52 disk drive has two read/write heads; one on each side of the diskette. Therefore, prior to the read or write process the desired "side" (head) of the diskette must be selected. Interface signal SIDE SELECT controls a decoder that enables the read/write amplifiers for either head zero (bottom head) or head one (top head) to be connected into the read/write circuits to the interface.

#### 4.2.7 Data Recording and Retrieving (See Figure 4-3)

The drive uses tunnel-erase head(s). The erase gap follows the write/read gap in the head assembly. The erase gap erases the edges of the written track to provide a guard band between tracks to allow for positioning tolerances among drives. The recording and retrieving electronics consists of:

- A. Write current source
- B. Steering circuit
- C. Erase driver
- D. Read amplifier
- E. Differentiator
- F. Cross-over detector
- G. Pulse generator

4.2.7.1 DATA RECORDING: To record digital data, current is passed through the winding on the write/read head core which sets up a flux field across the write/read gap. This orients the iron oxide particles on the diskette surface underneath the gap to the same polarity. The direction of the flux field is a function of the polarity of the write current. Data is written by reversing the current through the head. Each flux reversal represents a data bit. The head(s) in the drive uses a center-tapped write/read winding, where the current reversal is accomplished by steering the current through one or the other of the two halves of the winding. Figure 4-5 shows the basic recording technique. The following conditions must be accomplished by the user before the recording can begin:

- A. Spindle speed must be stabilized. This condition will exist 1.0 seconds after the MOTOR ON command is issued.
- B. Head/media must be stabilized subsequent to the HEAD LOAD command. This requires 35 milliseconds.
- C. Head must be settled subsequent to the STEP command. This requires 20 milliseconds (5 milliseconds for motion and 15 milliseconds for settling).

The preceding conditions may be overlapped. It is recommended that the first WRITE DATA command be within 4 to 8 microseconds after WRITE DATA goes true, and the last WRITE DATA command be within 4 to 8 microseconds after WRITE DATA goes false. The erase circuit enables the erase current 430 microseconds after WRITE GATE goes true and disables the erase current 850 microseconds after WRITE GATE goes false. These time relationships are optimized for proper erasure on both inner and outer tracks.

4.2.7.2 DATA RETRIEVING: The retrieving (read) electronics comprises the following elements:

- A. Read amplifier
- B. Linear filter
- C. Differentiator
- D. Cross-over detector
- E. Digital filter
- F. Pulse shaper

Before reading can begin, several conditions must be established by the user system. First, the same conditions applicable to data recording must be met. Additionally, if the previous operation was writing, 1 millisecond must be allowed after termination of WRITE GATE to allow for erase and circuit-settling time. Figure 4.6 shows wave forms in the read sequence. The head generates a wave form with peaks corresponding to the flux transients. This wave form is amplified, fed through a low-pass filter, and then differentiated to make the peaks occur at zero cross-over. The read signal is next fed to a cross-over detector, which generates a pulse for each zero cross-over. These pulses are fed through a digital filter, which removes false pulses. Finally, the pulse shaper generates a one microsecond pulse corresponding to each flux transient. This composite read data is sent to the user interface via the READ DATA line.

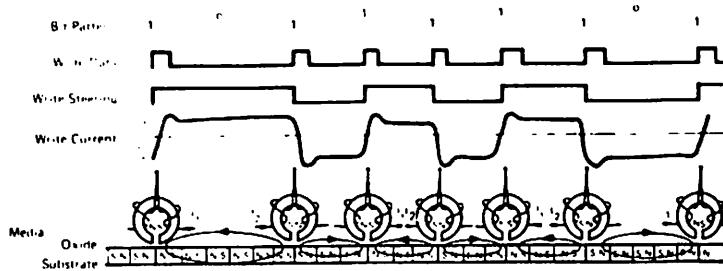


Figure 4-5: Basic Recording Technique

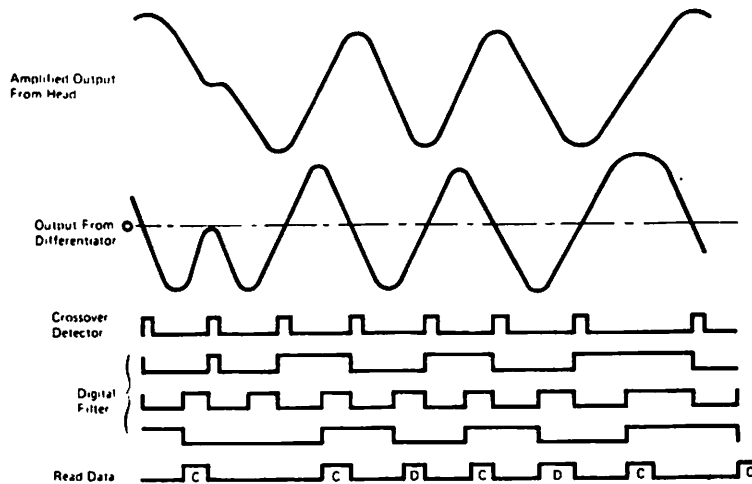


Figure 4-6: Wave Forms in Read Sequence

### 4.3 DETAILED DESCRIPTIONS

The following paragraphs give details of the operation of the disk drive electronics. The descriptions are referenced to sheets 2 and 3 of drawing 4-04002-00. Timing diagrams are interspersed with the text. "Zone" reference numbers and letters in the text locate the circuits on the sheets of drawing 4-004002-00. Voltage levels in timing diagrams are TTL unless otherwise noted.

#### 4.3.1 Power up/Power down Logic (See Sheet 2, Zone B5, B6)

The power up/power down logic ensures that no extraneous writing or erasing is performed while applying or removing power to/from the disk drive. The logic comprises CR1 and CR2 connected between Vcc and multiplexer 5A. This guarantees that 5A will be the first IC to power down and the last IC to power up.

Thus, for approximately 10 to 30 milliseconds after the rest of the logic has powered up, the outputs for 5A are floating, preventing any writing or erasing. When 5A finally powers up, and its outputs begin to respond to input signals, the inputs have already stabilized to the levels needed to prevent any extraneous writing or erasing.

#### 4.3.2 Stepper Motor Control Logic (See Sheet 3, Zone C)

The stepper motor control logic consists of two-stage counter 3C and associated logic to decode the outputs of the counter to the correct phases of the stepper motor to cause steps in the desired direction. Each step consists of rotating the stepper motor shaft 3.6 degrees. This rotational motion is converted to linear motion by the band/pulley assembly. The diameter of the pulley is such that a rotation of 3.6 degrees translates into a linear motion of 0.02083 inches, which is the track-to-track spacing required (48 tracks per inch equals 0.02083 inches per track).

The stepper motor is a four-phase, 100 pole, 3.6 degree per pole (step) stepper motor. It is operated so that two adjacent phases are always energized. Refer to Timing Diagram Figure 4-7.

A minimum one microsecond negative STEP interface pulse at J1-20 clocks counter 3C. The outputs of 3C at pins 13 and 14 generate phases  $\emptyset 1$ ,  $\emptyset 2$ ,  $\emptyset 3$ , and  $\emptyset 4$ . Pins 7 and 10 of 3C are low true active enable lines. These inputs are controlled by gate 4C-12, which disables the counter if any of its inputs are low true.

Input 4C-1 (W), from 6C-4 (sheet 2) is the same polarity as WRITE GATE. This



input disables stepping while writing. Input 4C-2 is the SELECT/ signal, which is the opposite polarity as DRV SEL (when shunt 1G-5 to 1G-10 is disconnected). Thus no stepping is allowed when the drive is deselected. Input 4C-13 is connected to gate 4C-8, the inputs to which are TRACK 00/ and DIRECTION. Thus, no stepping is permitted in the out direction when the head/carriage assembly is located at track 00. This is the electronic track 00 stop.

#### 4.3.3 Track 00 Logic (See Sheet 3, Zone B)

The track logic consists of the track 00 sensor (a LED and a phototransistor), a comparator (4F) and additional logic to generate the TRACK 00 interface output signal. Refer to Timing Diagram, Figure 4-7.

When the head/carriage assembly is located at track 00, the light from the LED is allowed to strike the track 00 phototransistor. This turns on the transistor and established a low logic level at J4-12 and comparator 4F-10. This causes the comparator output at 4F-13 to go to a high logic level. The output of 4F-13 is gated with PHASE 2 and PHASE 3 at gate 4C-6 to generate a low level at 4C-6 when the head/carriage assembly is at track 00 and phases 2 and 3 are de-energized. This is necessary because the track 00 phototransistor may be partially or fully on when the head/carriage is positioned at tracks 01 or 02. However, at these times phases 2 and 3 are not both de-energized.

The output of 4C-6 is inverted by 3D-4 and disables stepping in the out direction as described in paragraph 4.3.2. The TRACK 00 signal is also gated with SELECT/ to give the low active TRACK 00 output signal at interface connector J1-26.

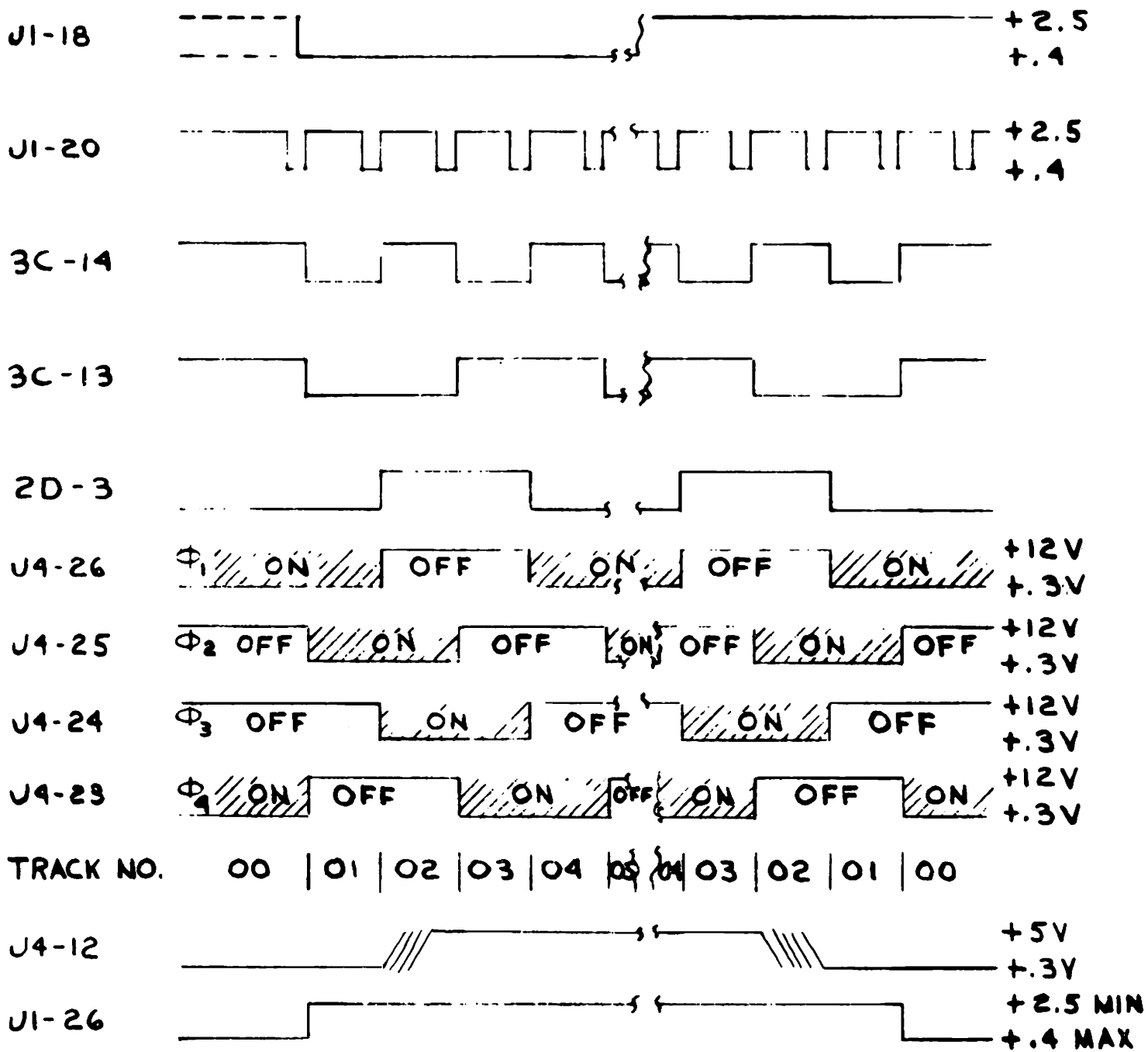


Figure 4-7: Stepper Motor Control Timing

#### 4.3.4 Drive Motor Control Logic (See Sheet 3, Zone A)

The drive motor control logic comprises tachometer signal digitizer 4F, enable one-shot 6E, reference one-shot 6E-13, time compare gate 6C, integrator network CR3, C16, R31, low-frequency amplifier 4F, and power output transistor Q3. Figure 4-8 is a Timing Diagram of the Drive Motor Logic. When input signal MOTOR ON become low at input pin 10 of 6E, this one-shot triggers which, via 6C-13, causes the anode of CR3 to go high. This charges C16 through CR3 from R33. The resultant positive voltage at input pin 7 of 4F is amplified and coupled through Q3 as the starting voltage for the drive motor at output pin 31 of J4.

One-shot 6E is also enabled by signal MOTOR ON so that, after the start trigger generated by MOTOR ON switching high, successive triggers from the TACH DIG signal cause 6E-12 (termed STALLED/) to remain low. If the MOTOR ON signal goes high, 6E becomes disabled which removes the charging source from C16 and causes the drive motor to stop. Also, if the motor stalls TACH DIG will stop triggering 6E-9, the one-shot will time out, and STALLED/ will go high.

The output of the tachometer attached to the drive motor is digitized by 4F. The resultant digital signal, termed TACH DIG, is the trigger source for reference one-shot 6E-1. The TACH DIG signal is also one input to comparator gate 6C. 6C compares the TACH DIG signal with the output of one-shot 6E-13. If the drive motor rotates too slowly, TACH DIG becomes low for a longer period than the output of the reference one-shot. This generates a positive pulse at the output of 6C-10 which makes the charge on C16 more positive. The increased charge is amplified by 4F and causes an increase in motor speed.

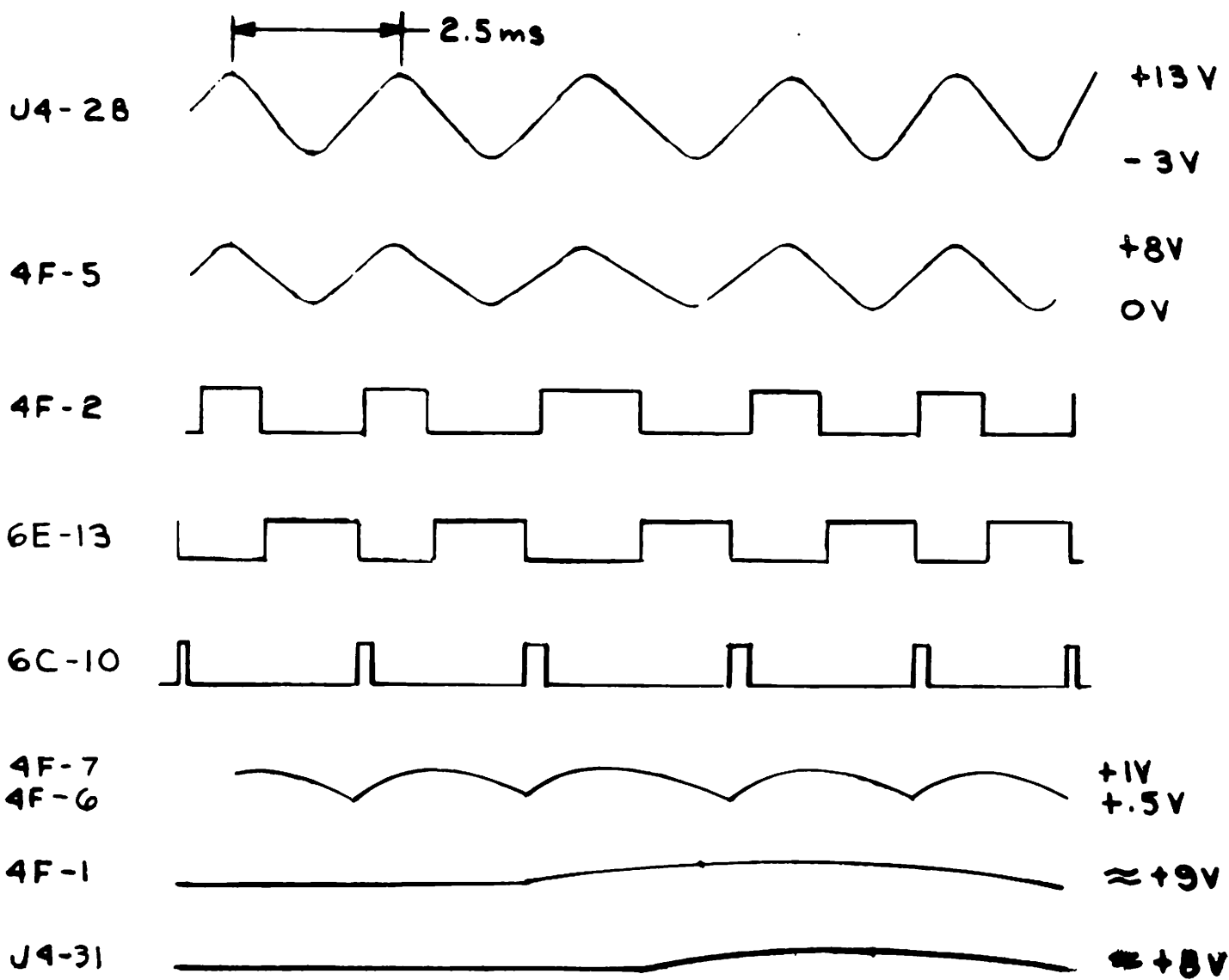


Figure 4-8: Motor Control Timing

If the drive motor is operating too fast, the output of 6C-10 will switch low, back-biasing CR-3, causing C16 to start discharging through R31. This makes the input at 4F-7 more negative, reducing the amplitude at the output of 4F, which slows down the drive motor. Finally TACH DIG will become low for a longer time than the reference signal, causing positive pulses charging C16 once again and stabilizing the motor speed

#### 4.3.5 Index Logic (See Sheet 3, Zone B)

The index consists of an LED and a phototransistor, a comparator (4F) and an output driver (2G-6). The LED and phototransistor supply signals to comparator 4F-14. This circuit is identical to the TRACK 00 detector circuit.

When an index, or sector, hole in the diskette passes under the index LED, the light impinges on the phototransistor, which causes 4F-14 to go to a high logic level. This output signal is gated with SELECT/ to generate the low-active INDEX output signal at connector J1-8.

#### 4.3.6 Head Load Logic (See Sheet 3, Zone D)

The head load logic consists of part of programmable shunt 1G and high current driver 5G. When shunt point 1G-7 is connected to 1G-8 the head is loaded by the low-active MOTOR ON signal.

When the shunt points 1G-1 and 1G-14 are connected, the head is loaded by the low-active DRV SEL signals.

#### 4.3.7 Side Select Logic (See Sheet 2, Zone B5, B6)

The side select logic comprises data selector 5A and associated circuits.

To select side 0 a high level is placed on J1-32 (SIDE SELECT). Side 0 is the bottom head in Model 52 drives and the only head in Model 51 drives. In Model 51 (single head drive) systems, SIDE SELECT can be left discontinued, (note the termination resistor on this input.). A high level on SIDE SELECT becomes a low level on pins 3 and 14 of decoder 5A. 5A is a dual decoder. Decoder section 1 controls writing or reading on either head 0 or head 1. Decoder section 2 controls the erase winding on each head.

A low level on SIDE SELECT becomes a high level on pins 3 and 14 of decoder 5A, and selects head 1, the top head in Model 52 systems. Output pins 4 and 5 control head 0; output pins 6 and 7 control head 1. The active level at these outputs is low. In addition to selecting a head, or selecting between heads, either a read or write operation must be selected at the WRITE GATE input pin. The level at WRITE GATE is inverted to control 5A input pin 2. Table 4-1 relates the levels at SIDE SELECT, WRITE GATE, pins 4,5,6, and 7 of 5A to the read or write condition of heads 0 and 1.

Table 4-1: Write/Read and Side Selection Conditions

| 5A PINS           |                    |          |          |          |          |                      |                   |
|-------------------|--------------------|----------|----------|----------|----------|----------------------|-------------------|
| <u>WRITE GATE</u> | <u>SIDE SELECT</u> | <u>4</u> | <u>5</u> | <u>6</u> | <u>7</u> | <u>SIDE SELECTED</u> | <u>READ/WRITE</u> |
| High              | High               | Low      | High     | High     | High     | 0                    | Read              |
| Low               | High               | High     | Low      | High     | High     | 0                    | Write             |
| High              | Low                | High     | High     | Low      | High     | 1                    | Read              |
| Low               | Low                | High     | High     | High     | Low      | 1                    | Write             |

When the output pins of decoder 5A become low levels, emitter current paths are supplied to read/write transistor pairs, thus enabling the appropriate function.

Note that SIDE SELECT, in conjunction with control inputs at pins 13 and 15 of decoder 5A, enables HEAD 1 or HEAD 0 ERASE circuits during write/erase operations.

#### 4.3.8 Write Protect Logic (See Sheet 2, Zone A)

The write protect logic comprises the WRITE PROTECT sensor (an LED and a phototransistor), analog-to-TTL translator 3G-2 and 3G-4, a "write-disable" gate (3E-3), and output driver 3E-11.

When a write-protected diskette is inserted into the drive, the light from the LED is blocked from turning on the phototransistor. This causes 3G-1 to be high, 3G-2 to be low, and 3G-4 to be high. 3G-4 is gated with SELECT/ by gate 3E-11 to generate the low-active WRITE PROTECT signal at J1-28. The low output at 3G-2 makes 3E-3 high. 3E-3 is wired ANDed with gate 6C-1. If either 6C-1 output or 3E-3 output is high writing is disabled at the enable input of decoder 5A and the erase coils are disabled by disabling one-shots 5B-5 and 5B-13. If 3E-3 output is high, either SELECT/ is low or a write-protected diskette is installed. If 6C-1 is high the controlling device is issuing a read command.

When an unprotected diskette is inserted into the drive, the light from the LED turns on the phototransistor and 3G-1 becomes high. This disables gate 3E-11 from generating WRITE PROTECT and, if SELECT/ is high enables the erase one-shots and decoder 5A in the WRITE mode.

#### 4.3.9 Write/Erase Logic (See Sheet 2, Zones B,C,D,4-7)

The write/erase logic comprises write flip-flop 2E, a write current source (resistors R23, R24), two pairs of differentially operated write current drivers (1A), erase one-shots 5B and erase driver gates 6A.

Before writing can be done the drive must be selected and an unprotected diskette must be installed. Figure 4-9 is a Timing Diagram of the write/erase logic.

A low level on the WRITE GATE initiates writing on the selected head. This enables the write current drivers in 1A (zones D7, C7) and write flip-flop 2E. Write flip-flop 2E-11 is clocked by W DATA. The state of the Q and  $\bar{Q}$  outputs of 2E cause the flow of current through the R/W head of the selected head to reverse with each clock. This current reversal generates a flux reversal on the diskette, writing a data bit.

When WRITE GATE goes low, Erase one-shot 5B-13 triggers and enables the erase selection of decoder 5A. The appropriate erase head is selected by SIDE SELECT via pin 14 of 5A. The duration of the erase signal is a function of the second erase one-shot (5B-5) which energizes the tunnel-erase coil of the read/write/erase head(s).

#### 4.3.10 Read Logic (See Sheet 2, Zone D)

The read logic comprises preamplifier 2A, emitter followers Q1 and Q2, low-pass filter components L1, L2, L3, L4, C6, differentiator 2B, crossover



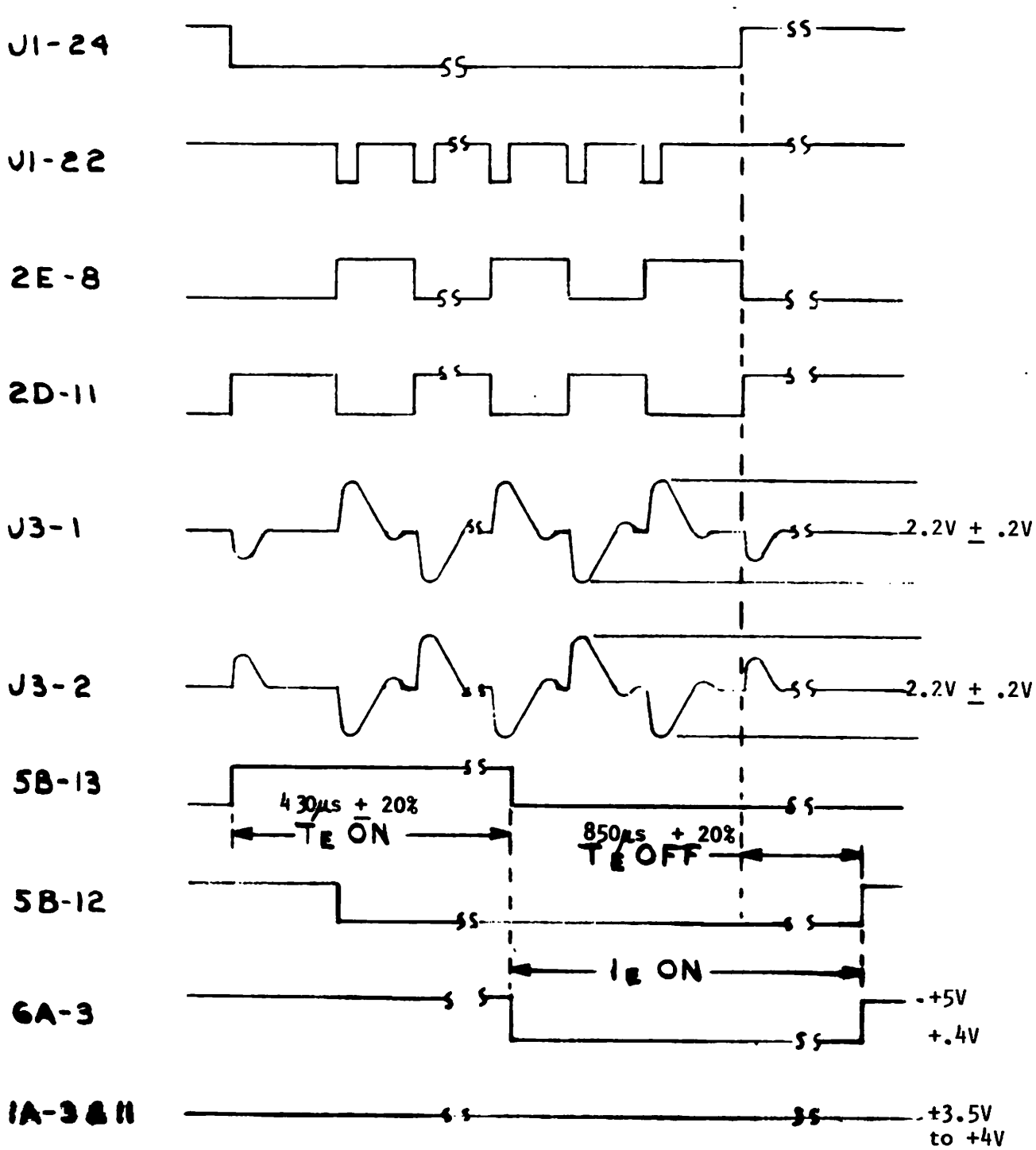


Figure 4-9: Write Timing  
4-20

detector 1C, digital filter 1E and 2E, and pulse shaper 1E. Figure 4-10 illustrates the read logic timing.

A read/write head senses flux changes on the diskette and generates a sine wave with the peaks occurring at the time of the flux changes. The output of the head is approximately 2.3 to 5.0 millivolts peak-to-peak, depending upon the flux changes per inch (FCI) on the diskette track as detected by the read/write head. The read signal is amplified by 2A. The gain of 2A is between 100 and 150. Therefore, the differential signal at the cathodes of CR4 and CR5 is between 230 and 750 millivolts peak-to-peak. The amplified signal is coupled through emitter followers Q1 and Q2 and the LC filter to differentiator 2B.

Pins 7 and 8 of the differentiator have a zero crossing that corresponds to each peak of the read signal. These outputs are AC coupled through C10 and C11 to crossover detector 1C, which generates a high-to-low or low-to-high digital transition for each zero crossing detected from differentiator 2B.

The output of 1C-7 is connected to the frequency doubler circuit R30, C14, and 2D, the output of which clocks digital filter one-shot 1E. 1E and 2E block out false crossover detections. The output of 2E-6 is frequency doubled by R40, C25, and 2D, which clocks one-shot pulse shaper 1E-10. The output of 1E-5 is the composite clock and read data signal, which is gated with signal SELECT to form the low active READ DATA output signal.

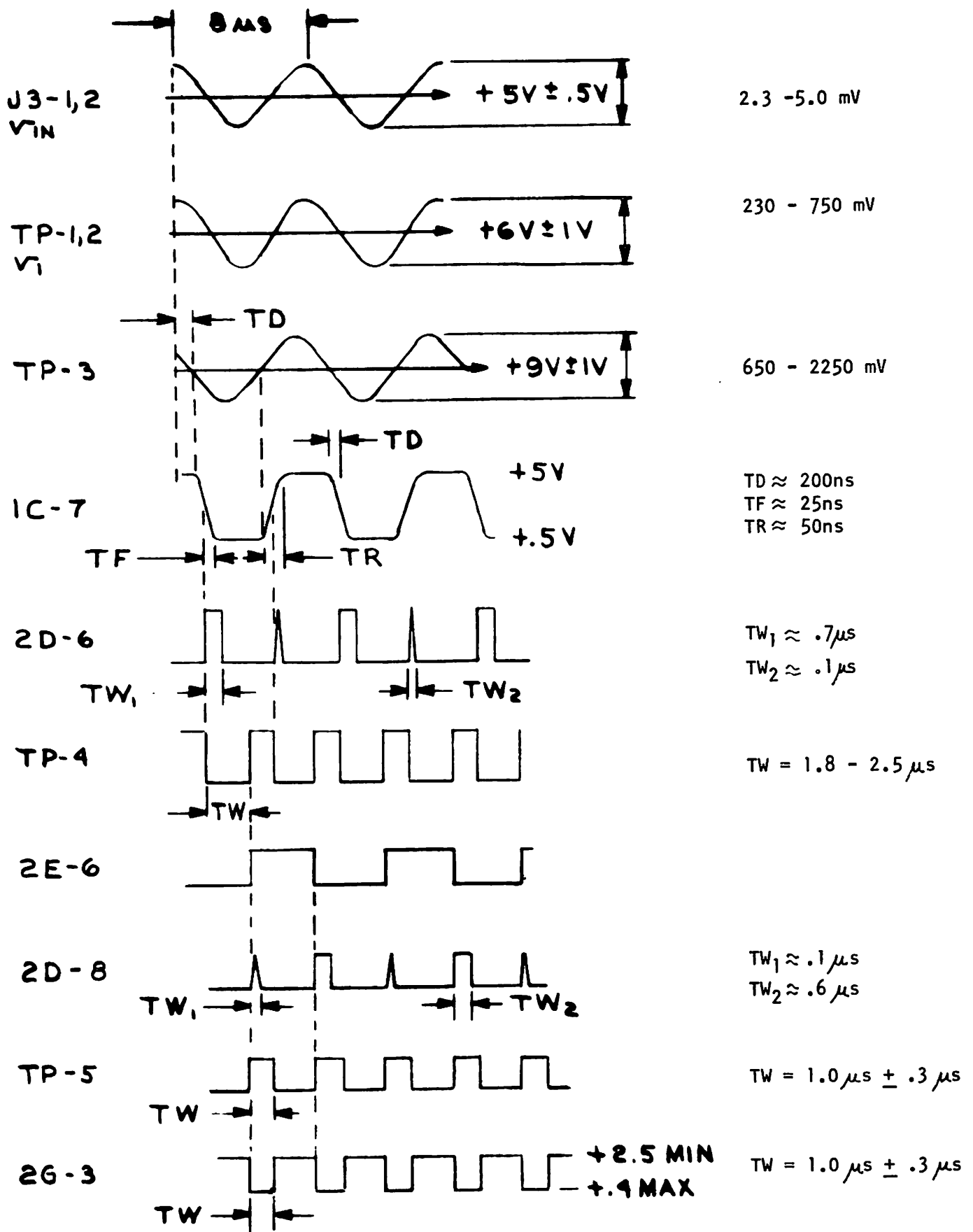


Figure 4-10: Read Timing  
4-22

## SECTION 5

### MAINTENANCE AND TROUBLESHOOTING

#### 5.0 INTRODUCTION

This section contains preventive maintenance procedures, component replacement procedures, and troubleshooting information. The material is referenced to drawings located throughout the text, a spare parts list located in Appendix A, and drawings and schematics located in Appendix B.

The preventive maintenance procedures do not include adjustment procedures. Adjustment and measurement procedures are separately referenced in section 6.

#### 5.1 GENERAL INFORMATION

The following statements are applicable to all facets of drive maintenance:

- A. Do not remove any components or the printed circuit board or connect or disconnect any plugs while power is applied to the drive.
- B. Component-location instructions, such as right guide, left guide, etc., are with reference to the rear of the drive.
- C. Female connectors that carry signals internal to the drive slip over pins of the male connectors. Most of the connectors are keyed so that they cannot be plugged into the wrong receptacle. However, they can be inserted upside down. For positioning accuracy one side of the female connectors is slotted with so-called "windows" over the pins. Installation instructions are given to install the connectors with the window side facing a certain direction, i.e., toward the chassis, away from the chassis, etc..
- D. Do not use magnetic tools within the drive.
- E. Instruction are given to "remove screws or replace screws"; it is understood that flat washers, lock washers, and shims (where required) are also to be removed and, more importantly, replaced. It is important

to always replace the exact quantity of washers and shims that were removed and in the same order.

## 5.2 TOOLS REQUIRED

The following tools are required to perform maintenance procedures on the disk drive:

- A. Wire cutters
- B. Needlenose pliers with serrated jaws
- C. Phillips head screwdriver, #0 and #1
- D. 6-32 tap
- E. #0 Phillips head torque screwdriver set to 20 inch-ounces
- F. #1 Phillips head torque screwdriver set to 30 inch-ounces
- F. 0.050 inch hex screwdriver
- H. Dental mirror
- I. 0.25 inch nut driver
- J. Bent nose tweezers
- K. Slot head screwdriver

## 5.3 PREVENTIVE MAINTENANCE

The only recommended preventive maintenance to ensure optimum performance of the disk drive is periodic cleaning of the read/write head(s) and inspection of the head load pad.

### 5.3.1. Read/Write Head(s) and Load Pad Inspection

Inspect the load pad (or top head) for excessive oxide, using a dental mirror.

#### CAUTION

DO NOT MOVE THE UPPER HEAD ARM ANY FURTHER THAN IS ALLOWED BY THE DOOR IN ITS OPEN POSITION.

Refer to Figure 5-1. To clean the head(s) use a lint-free cloth or a cotton swab moistened with either methyl or 91% Isopropyl alcohol. Wipe the head(s)

carefully to remove all accumulated oxide and dirt. Dry the head(s) using a lint-free cloth.

If cleaning the head(s) does not improve operation, refer to the troubleshooting charts. If head(s) are damaged or worn, refer to the head/carriage replacement procedure (paragraph 5.4.15). If head load pad is dirty or worn, refer to head load pad replacement procedure (paragraph 5.4.18).

#### 5.4 REPLACEMENT PROCEDURES

The following material gives sequential instructions for removing and replacing major components of the disk drive. Figures 5-1 and 5-2 are top and bottom views of the disk drive that illustrate the components for which replacement instructions are given. Table 5-1 references assemblies that may need to be adjusted when major components are removed/replaced.

Table 5-1: Remove/Replace Adjustment Check List

| <u>ITEM</u> | <u>ASSEMBLY</u>             | <u>CHECK OR ADJUST</u>        | <u>SECTION</u> |
|-------------|-----------------------------|-------------------------------|----------------|
| 1.          | Head/carriage               | Radial-track alignment        | 6.2            |
|             |                             | Compliance                    | 6.9            |
|             |                             | Track 00 sensor alignment     | 6.4            |
|             |                             | Track 00 set screw adjustment |                |
| 2.          | Stepper motor               | Radial-track alignment        | 6.2            |
| 3.          | Track 00 sensor             | Track 00 sensor alignment     | 6.4            |
| 4.          | Index/load boss             | Index-to-data alignment       | 6.3            |
| 5.          | Carrier                     | Index-to-data alignment       | 6.3            |
|             |                             | Ejector                       | 6.8            |
| 6.          | Printed Circuit Board (PCB) | Drive motor speed             | 6.5            |
|             |                             | Index-to-data alignment       | 6.3            |
| 7.          | Drive motor                 | Drive motor speed             | 6.5            |
|             |                             | Drive belt                    | 6.7            |
| 8.          | Bearing/spindle             | Drive belt                    | 6.7            |
|             |                             | Drive motor speed             | 6.5            |

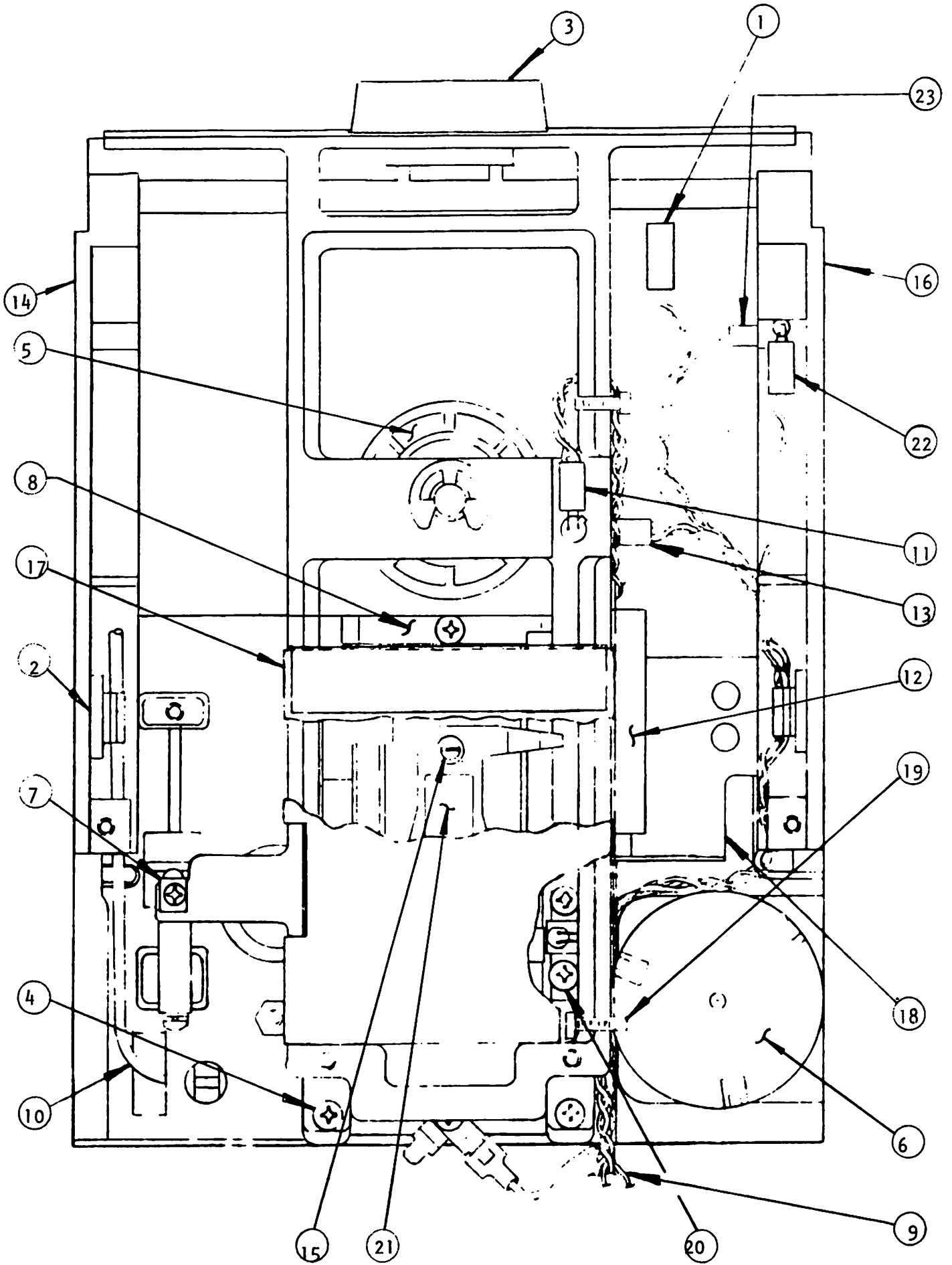


Figure 5-1: Top View Disk Drive  
5-4

## Figure 5-1 Parts List

1. Activity Indicator Female Connector
2. Cable Clamp
3. Carrier Assembly
4. Carrier Mounting Screws
5. Cone/Clutch Assembly
6. Drive Motor Assembly
7. Ejector Latch Release
8. Guide Rod Clamp
9. Harness Assembly
10. Head Cable
11. Index LED Female Connector
12. Index/Load Boss Assembly
13. Index Phototransistor Female Connector
14. Left Hand Guide
15. Load Pad Assembly
16. Right Hand Guide/Write Protect Assembly
17. Shield Assembly
18. Solenoid Assembly
19. Tie Wrap
20. Track 00 Assembly
21. Upper Arm
22. Write Protect LED Female Connector
23. Write Protect Phototransistor Female Connector



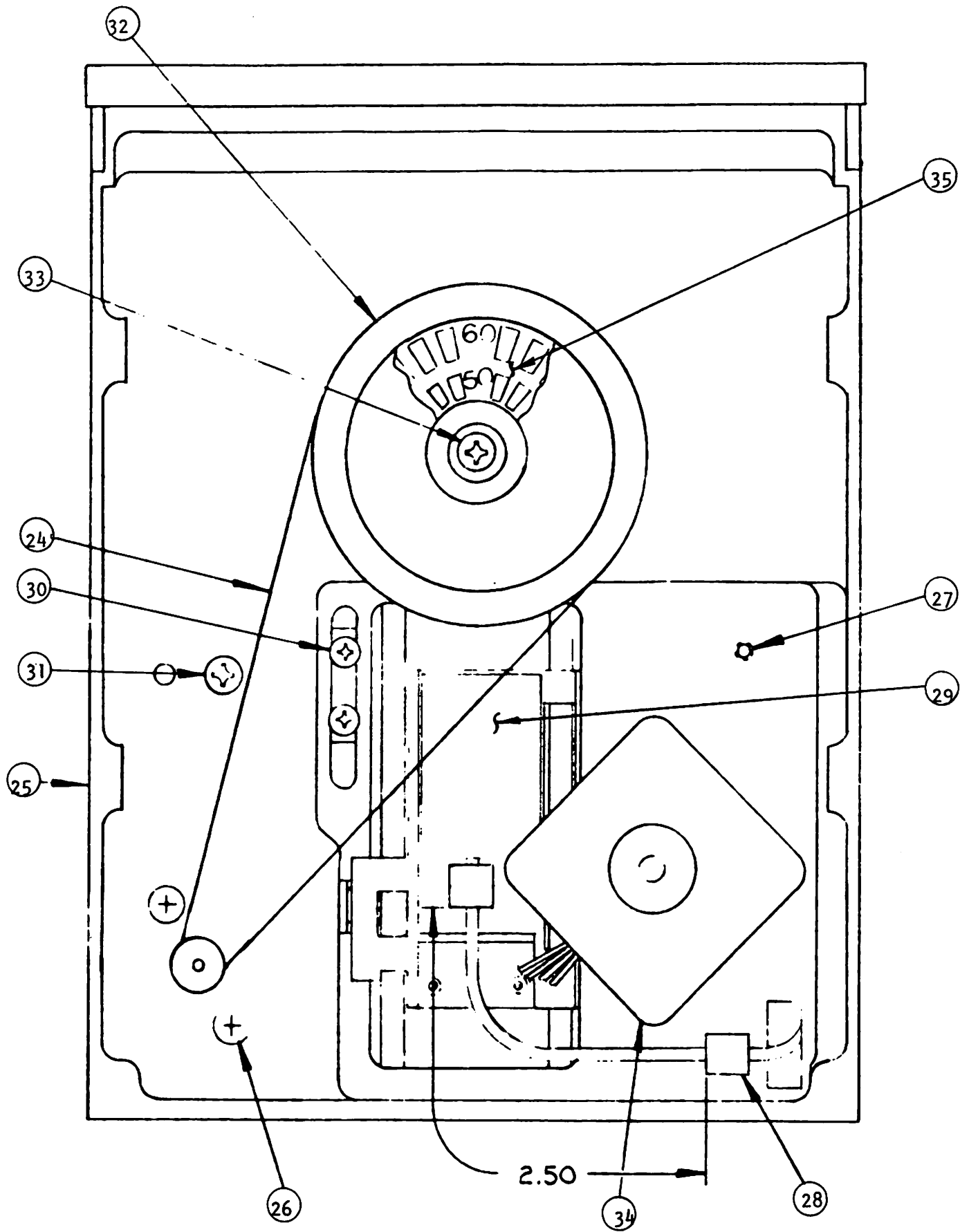


Figure 5-2: Bottom View Disk Drive

## Figure 5-2 Parts List

24. Drive Belt
25. Drive Chassis
26. Drive Motor Mounting Screws
27. Ejector Rod Retention Screw
28. Head Cable Clamp
29. Head/Carriage Assembly
30. Index/Load Boss Mounting Screws
31. Solenoid Mounting Screw
32. Spindle Pulley
33. Spindle Pulley Mounting Screw
34. Stepper Motor Assembly
35. Strobe Label

#### 5.4.1. Printed Circuit Board Assembly (PCBA)

To remove the printed circuit board (PCBA) proceed as follows:

- A. Remove the I/O connector and DC power connector.
- B. Remove screws (2) at each side of PCBA.
- C. Pull PCBA slightly to the rear of the disk drive.
- D. Remove head connector(s) below and at left front edge of PCBA. Grip the connector(s), not the cables, when removing.
- E. Remove connectors P4-1, P4-2, and P4-3 at right rear of PCBA.
- F. Slide PCBA out the rear of the disk drive.

To replace the PCBA perform the preceding steps A. through F. in the reverse order.

#### 5.4.2. Shield Assembly

To remove the shield assembly, located over the head/carriage assembly, proceed as follows:

- A. The shield snaps over the carrier assembly; grip the left side, press down on the left-center of the shield, and lift the left side up. This will unsnap the shield from the left side of the carrier assembly.
- B. Lift the shield to the right and up from the disk drive.

To replace the shield, perform the preceding steps A. and B. in the reverse order. Be sure not to pinch the index LED wires under the right side of the carrier and the shield when installing.

#### 5.4.3. Right-Hand Guide/Write Protect Assembly

The write protect sensor is an integral part of the right-hand guide. To remove this assembly proceed as follows:

- A. Remove the PCBA (see paragraph 5.4.1).
- B. Remove screws (2) holding guide to the disc frame at the bottom of the guide.

- C. Remove flat head, countersunk screw at top-front of guide holding guide to bezel.
- D. The guide is now free of the drive assembly.
- E. Unplug the two female connectors from the write protect photo transistor and LED.
- F. Remove the green and black wires from the cable clamp. The guide/write protect assembly is now free of the drive assembly.

To replace the right-hand guide assembly perform the preceding steps A. through F. in the reverse order. Be sure that:

- A. The windows in the female connectors both face away from the guide, when installed.
- B. Green and black wires to the write protect LED are routed through the cable clamp on the guide.

#### 5.4.4 Left-Hand Guide Assembly

To remove the left-hand guide assembly proceed as follows:

- A. Remove the PCBA (see paragraph 5.4.1).
- B. Remove screws (2) holding guide to the drive chassis at the bottom of the guide.
- C. Remove flat head, countersunk screw at top-front of guide holding guide to front panel bezel.
- D. Remove head cable(s) from cable clamps. Guide is now free of drive assembly.

To replace the left-hand guide assembly perform the preceding steps A. through D. in the reverse order.

#### 5.4.5 Front Panel Bezel and Activity LED

To replace the activity indicator it is necessary to remove the bezel. To remove the bezel proceed as follows. Figure 5-3 shows the activity indicator mounting hardware:

- A. Remove four (4) flat head, countersunk screws holding bezel to guides and drive chassis.
- B. Press door button to free bezel from door/carrier assembly.
- C. Pull bezel forward slightly and remove female connector from activity LED. Bezel is now free of the drive assembly.

##### 5.4.5.1 Activity LED Removal: To replace the activity LED proceed as follows:

- A. Remove bezel (see paragraph 5.4.5).
- B. Loosen activity indicator ring around activity indicator clip and pry off.
- C. From the front of the bezel, press LED out of the holder. This removes the LED.

##### 5.4.5.2. Activity LED Installation: To install the activity LED proceed as follows:

- A. Perform the steps in paragraph 5.4.5.1.
- B. Press LED into clip in bezel until it snaps in.
- C. Hold LED clip with fingers and fit ring over rear part of clip. Press ring until it is flush against bezel.
- D. Fit female connector over LED leads with green wire connected to longest LED lead.
- E. Install bezel to drive chassis and guide assemblies.

#### 5.4.6 Cone Assembly

The cone assembly fits within the drive spindle assembly. To remove this assembly proceed as follows:

- 36. Activity Indicator
- 37. Activity Indicator Clip
- 38. Activity Indicator Ring

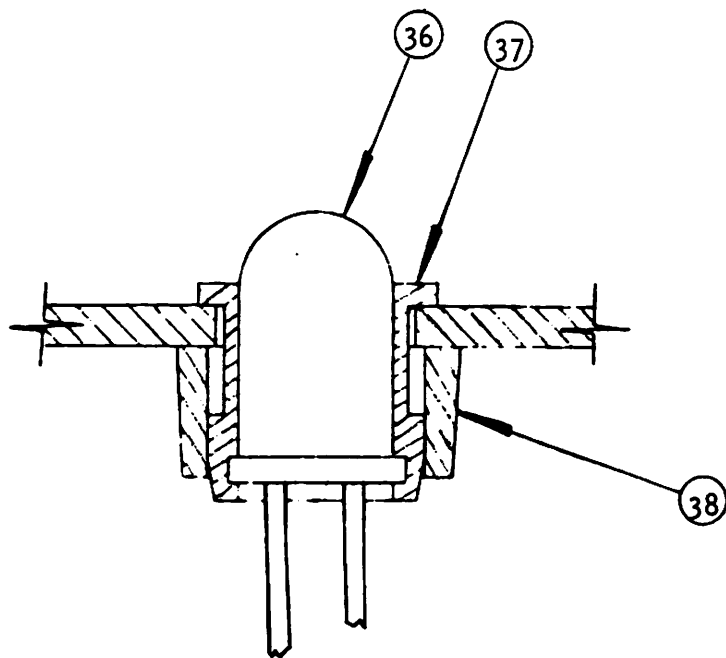


Figure 5-3: Activity Indicator Assembly

- A. Be sure the door is closed.
- B. Remove the snap ring and shims from the top of the carrier assembly
- C. Open door by pressing door button.
- D. Cone will remain seated in spindle hub and can be lifted out of the drive assembly.
- E. Be sure to keep track of the number of shims between snap ring and carrier. The same shims must be replaced during installation.

To replace the cone assembly perform the preceding steps in the reverse order.

NOTE

Be sure that the replacement cone has a shim then a spring on the shaft of the cone before replacing it in the spindle hub.

5.4.7 Carrier Assembly

The carrier assembly lifts the cone from the spindle and the upper arm from the disk media when the door is opened. To remove this assembly proceed as follows:

- A. Remove the PCBA (see paragraph 5.4.1).
- B. Remove shield assembly (see paragraph 5.4.2).
- C. Remove cone assembly (see paragraph 5.4.6).
- D. Remove screws (2) from rear of carrier holding carrier to drive chassis mounting posts.
- E. Cut tie wraps holding index LED wires to carrier.
- F. Remove index LED female connector.
- G. Open front door by pressing door button.
- H. The carrier is now free. Be aware that upper step of the upper arm rests on top of carrier assembly. DO NOT LIFT CARRIER STRAIGHT UP SO THAT UPPER ARM IS BENT UP; slide carrier to the right and forward through bezel opening.

5.4.7.1 Index LED: The index LED is part of the carrier assembly. The carrier assembly must be replaced to replace the index LED.

5.4.7.2 Carrier/Index LED Installation: As mentioned, the index LED is an integral part of the carrier assembly. To install this assembly perform the following steps in the order listed:

- A. Slide carrier through bezel opening and to the left so that upper step of upper arm rests over carrier.
- B. Install screws (2) in rear of carrier assembly loosely.
- C. Install cone assembly (see paragraph 5.4.6).
- D. Close door.
- E. Center door in front opening of bezel.
- F. Tighten rear carrier screws.
- G. Install index LED female connector with connector windows down.
- H. Tie wrap index connector wires to the carrier assembly at front and rear.
- I. Adjust ejector latch release so that ejector functions properly (see paragraph 6.8), reference Table 5-1

#### 5.4.8 Index/Load Boss

To remove the index/load boss assembly proceed as follows:

- A. Remove PCBA (see paragraph 5.4.1).
- B. Remove shield assembly (see paragraph 5.4.2).
- C. Remove index photo transistor female connector at front of boss assembly; pull to right side.
- D. Place drive on its left side.
- E. Remove the screws (2) in the adjustment slot in the recessed area in the base of the drive chassis.
- F. Lift boss assembly up and out of the drive assembly.



To replace the index/load boss assembly proceed as follows:

- A. Place drive on its left side.
- B. Install index/load boss assembly.
- C. Install screws loosely in the adjustment slot in the recessed area in the base of the disk drive chassis.
- D. Install index photo transistor connector with windows toward drive chassis.
- E. Adjust index-to-data, reference Table 5-1.

#### 5.4.9 Solenoid

To remove the solenoid, proceed as follows:

- A. Remove the PCBA (see paragraph 5.4.1).
- B. Remove the right-hand guide (see paragraph 5.4.3).
- C. Unsolder two leads from the solenoid. Note that older drives may have the leads attached to the solenoid with spade lugs.
- D. Turn drive on its left side.
- E. Remove solenoid mounting screw (1) from bottom of drive chassis.
- F. Solenoid is now free; be careful to not lift solenoid load arm straight up so that it bends upper arm assembly past its normal unloaded position.
- G. Tilt solenoid and lift to the side and up out of the drive chassis.
- H. The solenoid is now free of the drive assembly.

To replace the solenoid perform the preceding steps in the reverse order; be sure that:

- A. The bottom part of the load arm of the solenoid is beneath the index/load boss.

- B. The top part of the load arm is beneath the top step of the upper arm.
- C. Wires are not pinched between the bottom of the solenoid and the disk drive chassis.

#### 5.4.10 Drive Motor

- A. Remove PCBA (see paragraph 5.4.1).
- B. Place disk drive on its left side.
- C. Remove the drive belt by gripping belt near small pulley (motor end); simultaneously pull belt toward spindle pulley and away from the drive chassis. This will rotate belt off spindle pulley. The belt can now be lifted off the motor pulley.
- D. Remove two drive motor mounting screws from the bottom of the drive chassis.
- E. Drive motor is now free; cut tie wraps holding drive motor wires in harness and pull motor ground spade lug from chassis.

To replace the drive motor proceed as follows:

- A. Perform the preceding steps in the reverse order.
- B. Be sure that the wire harness is not pinched between the motor and the chassis.
- C. Mount motor so that motor wires exit from rear-center of motor to rear of drive chassis. Tie wrap motor wires into wire harness.
- D. After installing belt, refer to Table 5-1 for adjustment references.

#### NOTE

Do not tighten screws in motor mount until belt is adjusted.

#### 5.4.11 Track 00 Sensor

To remove the track 00 sensor proceed as follows:

- A. Remove the PCBA (see paragraph 5.4.1).
- B. Remove the shield assembly (see paragraph 5.4.2).
- C. Remove the track 00 photo transistor female connector (top of frame) and track 00 LED female connector (recessed area, bottom of frame).
- D. Remove screws (2) at top of chassis holding sensor assembly to the drive chassis.
- E. Sensor is now free and can be slid to the side and up out of the drive chassis.
- F. Refer to Table 5-1 for adjustments necessary.

To replace the track 00 sensor perform the preceding steps in the reverse order. Do not tighten screws until adjustment procedures referenced in Table 5-1 are performed. Note that when replacing the connectors, the connector windows face the chassis.

#### 5.4.12 Door Button Assembly

To remove the door button assembly proceed as follows (see Figure 5-4):

- A. Remove bezel (see paragraph 5.4.5)
- B. Remove bezel bracket mounting screw.
- C. Remove retention ring from one end of rod.
- D. Slide rod from assembly; be sure to catch spring.

To replace the door button assembly perform the preceding steps in the reverse order.

#### 5.4.13 Stepper Pulley/Band Assembly

To remove the stepper pulley/band assembly proceed as follows:

- A. Remove the PCBA (see paragraph 5.4.1).

- 39. Bezel Bracket
- 40. Bezel Bracket Mounting Screw
- 41. Door Button
- 42. Door Button Rod
- 43. Door Button Spring
- 44. Retention Ring

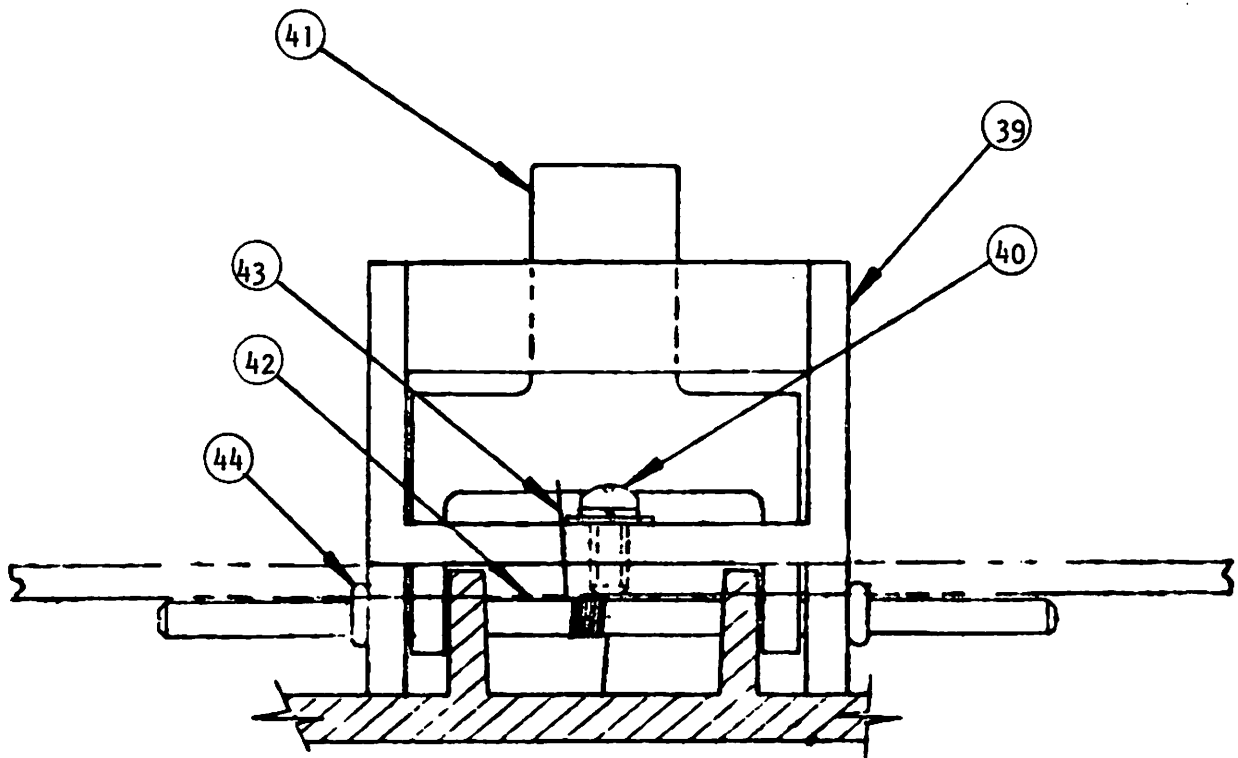


Figure 5-4: Door Button Assembly

- 45. Band
- 46. Band Mounting Screw
- 47. Band/Carriage Mounting Clip
- 48. Brass Set Screw
- 49. Stepper Pulley

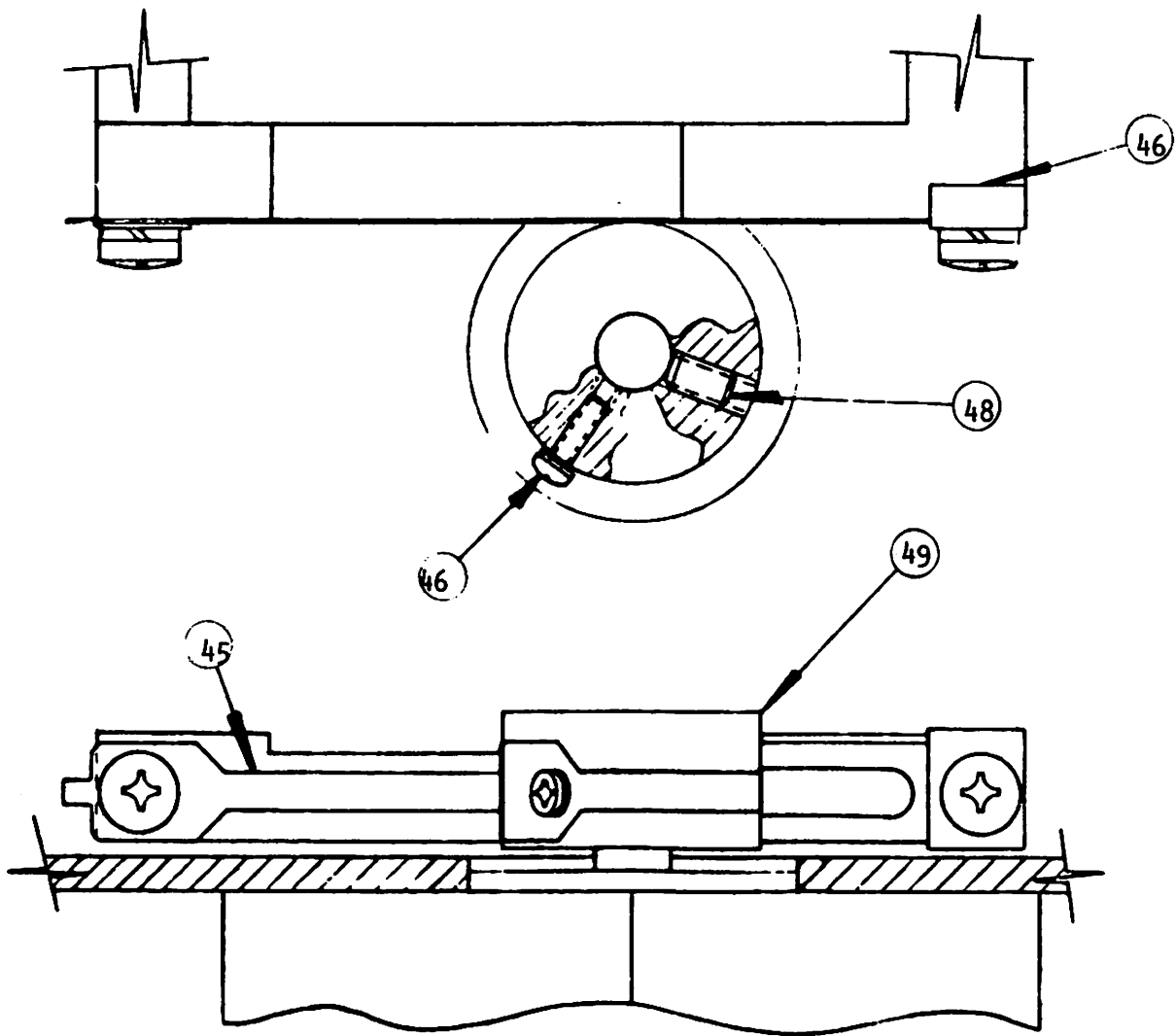


Figure 5-5: Stepper Pulley/Band Assembly

- B. Open the door.
- C. Remove the left-hand guide (see paragraph 5.4.4).
- D. Place disk drive on right side.
- E. Loosen brass set screw recessed in body of pulley. This disconnects pulley from stepper motor shaft.
- F. Remove two pulley band mounting screws, washers, and band mounting clip from head/carriage assembly.
- G. Pulley and band can now be lifted off of stepper motor shaft.

To replace the stepper pulley band assembly perform the following steps (see Figure 5-5):

- A. Consider the preceding steps in the reverse order.
- B. On the band, slip one head end through the slot in the band.
- C. Wrap the band around the pulley.
- D. Set pulley on shaft of stepper motor.
- E. Lay band flat against head/carriage assembly; install screw, washers, and band-mounting clip in rear of head/carriage assembly; note large end of band goes to front of drive chassis.

NOTE

The band mounting clip hole is offset. Install the clip so that the hole is closer to the chassis of the disk drive.

- F. Hold band firmly against head/carriage assembly; install screw in front-of-band hole, large end of band.
- G. Pull band tight against head/carriage assembly and tighten screw in front of assembly. Move carriage forward and backward; ensure that there is no band crinkle (metal on metal rubbing).

H. Screws should be tightened with torque screwdriver to 20 inch-ounces.

#### 5.4.14 Stepper Motor

To remove the stepper motor proceed as follows:

- A. Remove the PCBA (see paragraph 5.4.1).
- B. Remove the stepper pulley/band assembly (see paragraph 5.4.13).
- C. Cut tie wraps enclosing stepper motor wires in wire harness.
- D. Remove two nuts on top of drive chassis adjacent to the pulley.
- E. Remove stepper motor from drive chassis.

To replace the stepper motor, perform the preceding steps in the reverse order.

Refer to Table 5-1 for required adjustments.

#### 5.4.15 Head/Carriage Assembly

To remove the head/carriage assembly proceed as follows:

- A. Remove the PCBA (see paragraph 5.4.1).
- B. Remove shield assembly (see paragraph 5.4.2).
- C. Remove left hand guide (see paragraph 5.4.4).
- D. Remove stepper pulley/band assembly (see paragraph 5.4.13).
- E. Remove head cable clamp from chassis (plastic clamp in left rear of chassis).
- F. Loosen the two copper guide rod clamps from front and rear of head assembly by loosening the screws in each of these clamps.
- G. Remove left-hand guide rod by prying from front and sliding guide rod out the rear of the chassis.
- H. Lift head/carriage assembly off the right hand guide rod and out of drive chassis.
- I. Be careful of banging and bending upper arm leaf spring. See CAUTION paragraph 5.3.1.

To replace the head/carriage assembly, perform the preceding steps in the reverse order and observe the following precautions:

- A. Be sure that the guide rods are firmly seated in the drive chassis.
- B. Route head cables from head/carriage assembly through chassis properly.
- C. Be sure guide rod clamps are securely tightened.
- D. Be sure rear clamp has ground lugs (2) secured underneath screw.
- E. Be sure carriage rides freely on guide rods after installation.
- F. Refer to Table 5-1 for required adjustment procedures.

#### 5.4.16 Ejector Assembly

To remove the ejector assembly proceed as follows (refer to Figure 5-6):

- A. Remove the PCBA (see paragraph 5.4.1).
- B. Remove ejector latch release (if necessary) from carrier by removing screw and sliding latch off carrier assembly.
- C. Remove ejector latch (if necessary) from drive chassis by removing screw and sliding latch off drive chassis mounting post.
- D. Loosen set screw in recessed area of bottom of chassis.
- E. Slide rod out of mounting blocks and remove spring and plastic block.

To replace the ejector assembly, perform the preceding steps in the reverse order.

Refer to Table 5-1 for required adjustment procedures.

#### 5.4.17 Spindle Bearings

To replace the spindle bearings proceed as follows (see Figure 5-7):

- A. Remove the PCBA (see paragraph 5.4.1).
- B. Remove cone assembly (see paragraph 5.4.6).
- C. Remove belt (see paragraph 5.4.10-C).
- D. Place drive chassis on side. Hold spindle hub firmly and remove 6-32 screw from center of spindle pulley on bottom of drive chassis.



- 50. Ejector Block
- 51. Ejector Latch
- 52. Ejector Latch Release
- 53. Ejector Rod
- 54. Ejector Spring

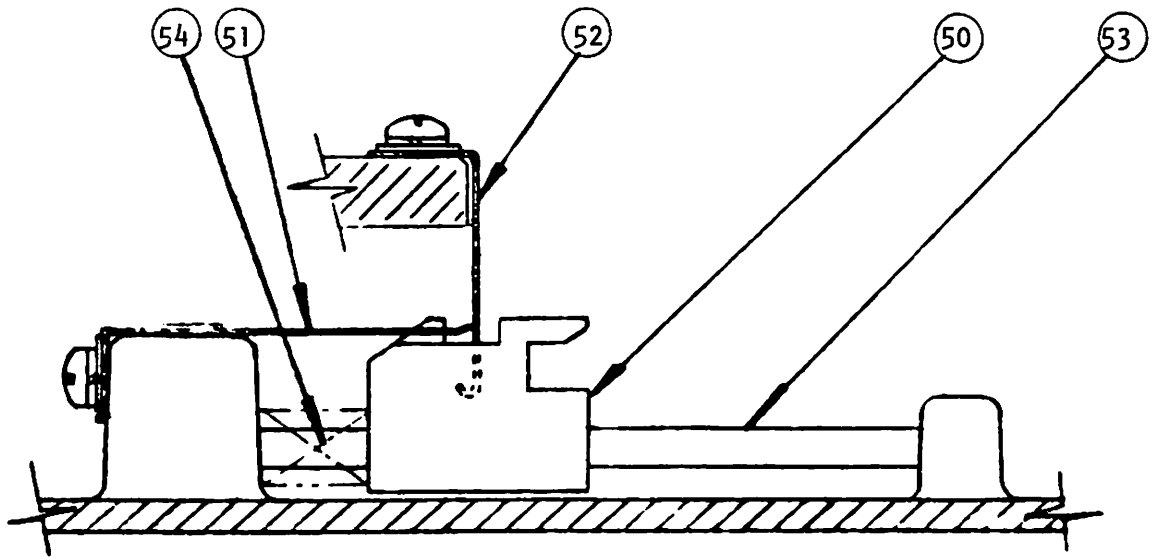


Figure 5-6: Ejector Assembly

- 55. Shim(s)
- 56. Spindle
- 57. Spindle Bearings
- 58. Spindle Pulley
- 59. Spindle Pulley Mounting Screw
- 60. Wave Washer

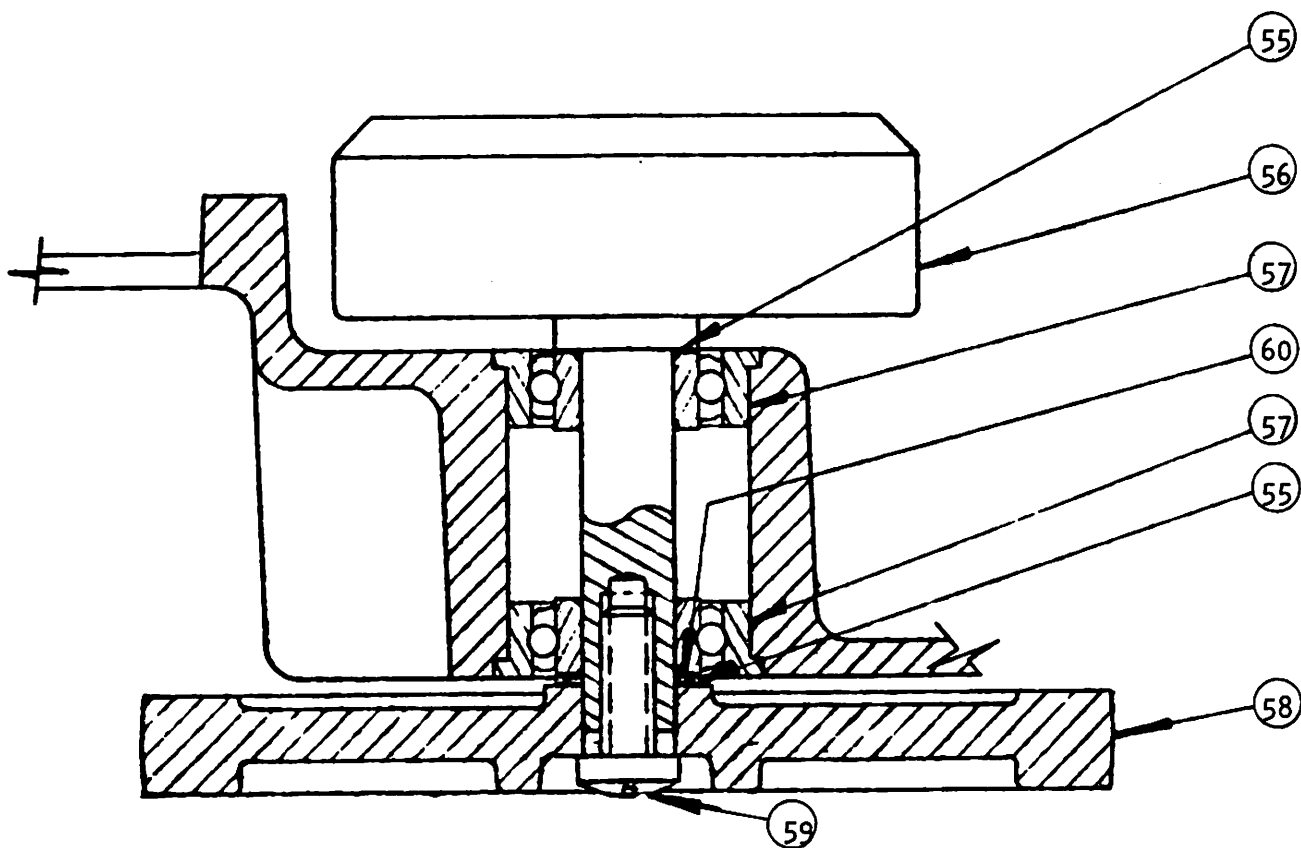


Figure 5-7: Spindle Assembly

- E. Pull spindle pulley from spindle hub shaft.

NOTE

THERE WILL BE A WAVE WASHER AND SOME QUANTITY OF SHIMS ON THE PULLEY SHAFT. THE SAME QUANTITY OF SHIMS AND THE WAVE WASHER MUST BE REPLACED IN THE SAME ORDER.

- F. Remove spindle hub and top bearing.
- G. Push out bottom bearing.

To replace bearings and spindle proceed as follows:

- A. Perform the preceding steps in the reverse order.
- B. When replacing the bearings press from the edges not from the center. Put top bearing in first then spindle hub, then cone, then close door, then replace bottom bearing.
- C. After replacing bottom bearings (press from edges), replace shim(s) and wave washer.
- D. Clean loctite out of screw hole in spindle hub shaft with a 6-32 tap wrench.
- E. Set pulley on hub shaft. Use new screw. Put one drop of Loctite 242 on threads of new screw. Install screw with torque screwdriver set to 30 inch-ounces.
- F. Let Loctite dry for at least one hour.
- G. Using a torque watch check spindle pulley for static torque of 2 inch-ounces maximum. If torque watch is not available, spin pulley and observe freedom of movement, 1/2 to three revolutions of rotation.
- H. Refer to Table 5-1 for belt adjustment.

#### 5.4.18 Head Load Pad Assembly

To replace the head load pad assembly in Model 51 drives, proceed as follows:

- A. Remove PCBA (see paragraph 5.4.1).
- B. Remove shield (see paragraph 5.4.2).
- C. Manually position head/carriage assembly all the way to the rear of the drive (Track 00); be sure to push carriage, not the upper arm.
- D. Open door.
- E. Grip upper arm.
- F. With slot screwdriver press load pad assembly until it drops out of upper arm.

To replace the pad assembly proceed as follows:

- A. Hold pad assembly with bent nose tweezers centered underneath hole in upper arm.
- B. Close door.
- C. Press lightly on upper arm to engage pad assembly; remove tweezers.
- D. Press on upper arm until pad assembly is completely installed in upper arm (extends approximately 1/4'th inch above upper arm).

#### CAUTION

DO NOT MOVE THE UPPER HEAD ARM ANY FURTHER THAN IS ALLOWED BY THE DOOR IN ITS OPEN POSITION.

#### 5.4.19 Harness Assembly

If it becomes necessary to replace the harness assembly proceed as follows:

- A. Remove PCBA (see paragraph 5.4.1), this frees the head connector(s) and PCBA connectors (P4-1, P4-2, and P4-3).
- B. Remove connections from:
  1. Bezel activity LED
  2. Right hand guide write protect sensor (two connections).
  3. Index/load boss sensor

4. Index LED
  5. Solenoid (two connections).
  6. Track 00 sensor (two connections).
- C. All harness connections should now be free.
- D. Cut plastic tie wraps which tie harness assembly to drive motor and stepper motor wires.

To replace the harness assembly, perform the preceding steps in the reverse order; refer to Table 5-2, Cable Harness Wire List, for connector termination information.

Table 5-2: Harness Assembly Wire List

| <u>FROM</u> | <u>TO</u>                  | <u>WIRE COLOR</u> |
|-------------|----------------------------|-------------------|
| P4-1        | Not connected              |                   |
| P4-2        | Not connected              |                   |
| P4-3        | Not connected              |                   |
| P4-4        | Activity light +           | Green             |
| P4-5        | Activity light -           | Black             |
| P4-6        | Index LED +                | Green             |
| P4-7        | Index LED -                | Black             |
| P4-8        | Index transistor +         | Red               |
| P4-9        | Index transistor -         | Black             |
| P4-10       | Track 00 LED +             | Green             |
| P4-11       | Track 00 LED -             | Black             |
| P4-12       | Track 00 transistor +      | Red               |
| P4-13       | Track 00 transistor -      | Black             |
| P4-14       | Write protect LED +        | Green             |
| P4-15       | Write protect LED -        | Black             |
| P4-16       | Write protect transistor + | Red               |
| P4-17       | Write protect transistor - | Black             |
| P4-18       | Not connected              |                   |
| P4-19       | Not connected              |                   |
| P4-20       | Not connected              |                   |
| P4-21       | Head load solenoid +       | Green             |
| P4-22       | Head load solenoid -       | Black             |

## 5.5 TROUBLESHOOTING GUIDE

This section contains general troubleshooting information. It is assumed that the user has read and understands the material in section 4, Theory Of Operation.

The first step in troubleshooting should be to verify that the controlling device and interface to the disk drive are functioning properly. Next, isolate the trouble to the electronic, the electromechanical, or the mechanical components of the drive. The following paragraphs list some trouble symptoms, possible causes, and suggested fixes.

### 5.5.1 Preliminary Troubleshooting Steps

The following preliminary steps should be performed first when a suspected malfunction occurs:

1. Check for proper operation of controlling device and interface to disk drive.
2. Check for proper supply voltages to the printed circuit assembly board (PCBA); refer to section 3, Interface Requirements.
3. Check for proper insertion of programmable shunt and terminator.
4. Check for proper programming of shunt.

### 5.5.2 Drive Won't Step or Steps Erratically

Verify that head cable(s) do not interfere with carriage movement.

- A. With DIRECTION input low, apply stepping pulses and monitor stepper motor control logic for proper signals as shown by timing diagram, Figure 4-7. The stepper motor control logic is illustrated in Zone C of Sheet 3 of drawing 4-04002-001.
- B. In order to step, the following circuit points must be at the levels indicated:

1. Counter 3C pins 7 and 10 must be low.
  2. Counter 3C pin 9 must be high.
- C. If signals measured are as shown by Figure 4-7, replace the stepper motor (see paragraph 5.4.14).

#### 5.5.3 Head/Carriage Oscillates at Track 00 (Restore Error)

The track 00 logic is illustrated on Sheet 3, Zones B and C.

- A. Position the head/carriage to extreme rear of drive.
- B. Check J4-12 for a low level. If it is not low, replace the track 00 sensor.
- C. Check track 00 logic for correct signals.

#### 5.5.4 Drive Motor Won't Rotate

The drive motor logic is illustrated on Sheet 3, Zone A.

- A. Signal MOTOR ON must be a low level for drive motor to rotate.
- B. Short together the collector and the emitter of output driver Q3. This should cause the drive motor to rotate at full speed, generating a TACH signal. If drive motor does not rotate, replace it (see paragraph 5.4.10). Check the drive motor logic and compare with timing diagram, figure 4-8.

#### 5.5.5 Head Will Not Load

The head load logic is illustrated on Sheet 3, Zone D.

- A. Check driver 5G pin 3 for a low level. If output is low, replace head load solenoid.
- B. Double-check shunt 1G for proper programming.

#### 5.5.6 Bad Index Output

The index logic is illustrated on Sheet 3, Zone B.

- A. Block index LED light path. If J4-8 is a low level, replace index/load boss assembly (see paragraph 5.4.8).



- B. Remove diskette and close door. Check J4-8 for a low level; if J4-8 is low proceed to step E.
- C. Check J4-6 for approximately 1.5 volts; if J4-6 is 0 volt or 5 volts, replace carrier (see paragraph 5.4.7).
- D. If J4-6 is approximately 1.5 volts, replace index/load boss assembly (see paragraph 5.4.8).
- E. Check for correct signal levels throughout index logic.

#### 5.5.7 Bad Write Protect Output

The write protect logic is illustrated on Sheet 2, Zone A and B.

- A. Block write protect LED light path. If J4-16 is a low level, replace right hand guide/write protect assembly (see paragraph 5.4.3).
- B. Unblock write protect LED light path. If J4-16 is a high level, replace right hand guide/write protect assembly.
- C. Check for correct signal levels throughout write protect logic.

#### 5.5.8 Activity Indicator Does Not Light

The activity indicator logic is illustrated on Sheet 3, Zone D.

- A. Check activity indicator logic for correct signal levels.
- B. If signal levels are correct, replace activity indicator.

#### 5.5.9 Read Errors--All Tracks

The read logic is illustrated on Sheet 2, Zone C and D.

- A. Verify that head is loaded by visually checking that head load pad (or upper head on Model 52) contacts diskette. If head is not loaded refer to paragraph 5.5.5.
- B. Check compliance (see paragraph 6.9). If compliance is bad, replace load pad assembly (see paragraph 5.4.18) and/or clean head.

- C. Check read logic for proper signals as compared with timing diagram, Figure 4-10.
- D. On Model 51 drives, J1-32 must be high in order to read.
- E. Check HDO READ (or HDI READ if checking read if top head on Model 52) for a low level.
- F. With power removed from the PCBA, check CR4, CR5, Q1, and Q2 for proper resistance readings.
- G. Replace PCBA. If still no read signals from drive, replace head/carriage assembly (see paragraph 5.4.15).

5.5.10 Read Errors--Random Tracks

- A. Replace drive motor (see paragraph 5.4.10).

5.5.11 Read Error-Inside Tracks

Verify that shield assembly is installed on carrier.

- A. Check compliance (see paragraph 6.9). If compliance is bad, replace load pad assembly (see paragraph 5.4.18).
- B. Check erase capability (see paragraph 6.10). If erase is bad, see paragraph 5.5.15.
- C. Check high frequency output (see paragraph 6.11). If output is bad, replace head/carriage assembly (see paragraph 5.4.15).
- D. Replace amplifier integrated circuit chip 2A on PCBA.

5.5.12 Cannot Read Prewritten Data; Can Read Self-Written Data

- A. Check radial track alignment (see paragraph 6.2).
- B. Check index-to-data alignment (see paragraph 6.3).

5.5.13 Cannot Write Data

- A. Check WRITE PROTECT output (see paragraph 5.5.7).
- B. Check HDO WRITE (or HDI WRITE if top head on Model 52) for low level.
- C. Check PCBA write circuits for correct signals per timing diagram, Figure 4-9.

5.5.14 Erase Bad

- A. If no decrease in amplitude is observed after the 15-second period outlined in paragraph 6.10, replace head/carriage assembly (see paragraph 5.4.15).
- B. If amplitude decrease is less than 85%, replace load pad assembly (see paragraph 5.4.18).

5.5.15 Drive Speed Unstable

- A. Check for bad spindle bearings by removing drive belt and slowly rotating spindle pulley manually. If spindle pulley rotates erratically, replace spindle bearings (see paragraph 5.4.16).
- B. If spindle speed drifts slowly, replace capacitor C19 on the PCBA.

## SECTION 6

### ADJUSTMENTS AND MEASUREMENTS

#### 6.0 INTRODUCTION

This section contains adjustment procedures that will be required if parts are changed due to malfunction and measurements that should be made periodically to ensure data quality or if malfunctions are suspected. It is recommended that a master alignment diskette be kept and that each alignment be verified to the master.

#### 6.1 TOOLS REQUIRED

The following tools are required to perform the adjustments and measurements listed in this section:

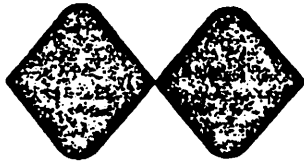
- A. Oscilloscope, dual trace, with channel "add" and external sync capability
- B. Read/write (scratch) diskette
- C. CE alignment diskette (MPI part number 1-42001-001 double/  
1-42000-001 single)
- D. 0.050 hex torque screwdriver set to 32 inch-ounces
- E. #0, #1 Phillips head screwdrivers
- F. #0 Phillips head torque screwdriver set to 20 inch-ounces

#### 6.2 RADIAL-TRACK ALIGNMENT

To perform radial track alignment perform the following steps in the order listed:

- A. Apply power to the disk drive. Apply controls to the drive for recalibration to track 00.
- B. Insert a CE alignment diskette (MPI Part No. 1-42001-001 double/  
MPI Part No. 1-42000-001 single) and close the door.

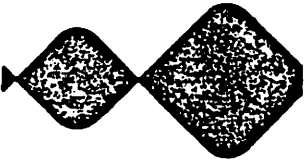
- C. Sync oscilloscope on leading edge of signal on TP6 (output of 4F-14, sheet 3). Connect oscilloscope probes to TP1 and TP2 (sheet 2, inputs 2B-1,-14). Set the 'scope to 50mV/cm, ac coupled, channel A and B added, with B inverted, 20ms/division. Attach ground probes to TP7.
- D. Load head and apply 16 stepping pulses, with the DIRECTION line low. The carriage should now be located around track 16. The proper phase relationship of stepper motor phases should be: phase 4 and 1 = 0V, phase 2 and 3 = +12V.
- E. With power on loosen the setscrew in the stepper pulley (using the .050 hex screwdriver) and position the pulley so that the "cat's eye" pattern appears on the scope with equal amplitude (see Figure 6-1). Secure the pulley setscrew with 2 inch-pounds of torque. Command a return to track 00 and then step back to track 16 to verify proper alignment. Command a seek to track 32 and then step back to track 16 to verify proper alignment.



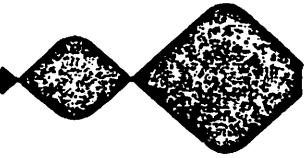
EQUAL AMPLITUDE  
(ON TRACK 16)



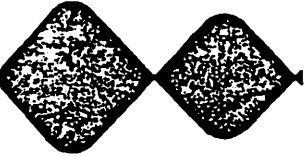
LEFT 80% OF RIGHT  
(-1 MIL OFF TRACK, TOWARD 15)



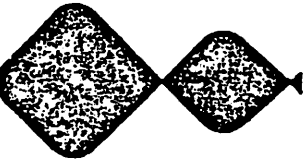
LEFT 60% OF RIGHT  
(-2 MIL OFF TRACK, TOWARD 15)



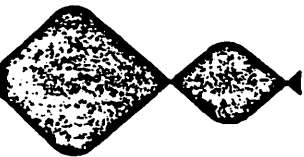
LEFT 40% OF RIGHT  
(-3 MIL OFF TRACK, TOWARD 15)



RIGHT 80% OF LEFT  
(+1 MIL OFF TRACK, TOWARD 17)



RIGHT 60% OF LEFT  
(+2 MIL OFF TRACK, TOWARD 17)



RIGHT 40% OF LEFT  
(+3 MIL OFF TRACK, TOWARD 17)

Figure 6-1: Radial Track Alignment Pattern

### 6.3 INDEX-TO-DATA ALIGNMENT

To perform the index-to-data alignment perform the following steps in the order listed:

- A. Verify the radial-track alignment (see paragraph 6.1) then move the head to track 01.
- B. Set the oscilloscope to 50 microseconds per division.
- C. The index sensor mounting screws are located at the bottom of the drive in the recessed area. Loosen the two screws and slide the sensor such that the 'scope picture shows a data pattern starting 200 +50 microseconds from the start of the trace.
- D. Using a 20 inch-ounce torque screwdriver, tighten the screws carefully so that no variations in the 'scope display occur.

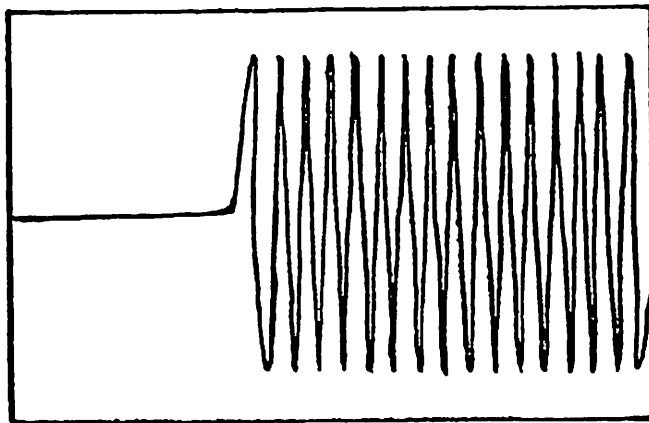


Figure 6-2: Index-to-Data Alignment Pattern

#### 6.4 TRACK 00 SENSOR ALIGNMENT

To align the track 00 sensor perform the following steps in the order listed.

- A. Verify the radial-track alignment (see paragraph 6.1).
- B. Apply power to the disk drive and select drive.
- C. Connect channel A probe to connector J4-12; set 'scope trigger to INTERNAL/AUTO.
- D. Loosen the two track 00 sensor mounting screws (top/rear of disk drive, adjacent to solenoid) and adjust the sensor for the conditions in E. and F. following.
- E. When the carriage is positioned over track 00, 01 and 02, the signal at J4-12 should be at 0.5 volts (maximum).
- F. Command a step-in to track 03. Signal at J4-12 should go to +4.0 volts minimum.
- G. Tighten the sensor mounting screws.

#### 6.5 SPEED CONTROL ADJUSTMENT

To adjust the speed control perform the following steps in the order listed:

- A. Apply power to the disk drive and select drive. Apply 0V to MOTOR ON.
- B. Insert a diskette and close the door.
- C. Turn disk drive on its side and observe the strobe effect of spindle pulley. If operating from 60 Hertz power observe outer trace; if operating from 50 Hertz power observe inner trace. Adjust R38 on PCB for a stable strobe pattern. Note that a small amount of strobe "creep" is permissible.

#### 6.6 TRACK 00 END STOP ADJUSTMENT

To adjust the track 00 end stop perform the following steps in the order listed:

- A. Verify the radial track alignment (see paragraph 6.1).



- B. Verify the track 00 sensor alignment (see paragraph 6.4).
- C. Apply power to the disk drive and select drive.
- D. Command a seek to track 00.
- E. Adjust the setscrew located on the lift-hand boss in the rear of the drive to approximately 0.010 inch from the end of the carriage (approximately one-half revolution of the set screw). Command a maximum track seek, then a return to track 00. Assure that the carriage does not hit the end stop.

## 6.7 DRIVE BELT ADJUSTMENT

The new Model drives all have neoprene (black) drive belts. Older Model drives have mylar (yellow) belts. They are adjusted differently as follows:

### 6.7.1 Mylar (Yellow) Drive Belt Adjustment

Loosen drive motor mounting screws (bottom of chassis). Adjust drive motor so that the tension on one leg of the drive belt is  $17 \pm 1$  grams. A tensiometer may be used to make this measurement. Tighten the drive motor mounting screws after adjusting the belt.

### 6.7.2 Neoprene (Black) Drive Belt Adjustment

Loosen drive motor mounting screws (bottom of chassis). Position the drive motor as close to the spindle assembly as possible. Tighten the drive motor mounting screws. No belt tension measurement is necessary.

## 6.8 EJECTOR LATCH AND EJECTOR LATCH RELEASE ADJUSTMENTS

After installing some component of the ejector assembly (spring, block, etc.), it may be necessary to adjust either, or both, the ejector latch and ejector latch release. Before attempting to make any adjustments, ensure that the ejector latch and the ejector latch release are not deformed in shape. Any deformed parts should be replaced.

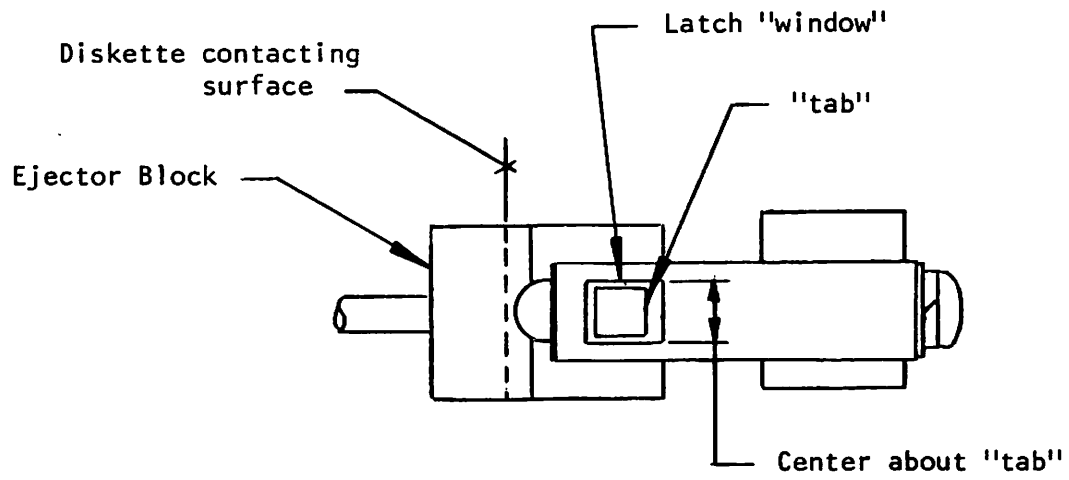


Figure 6-3: Ejector Block and Latch - top view

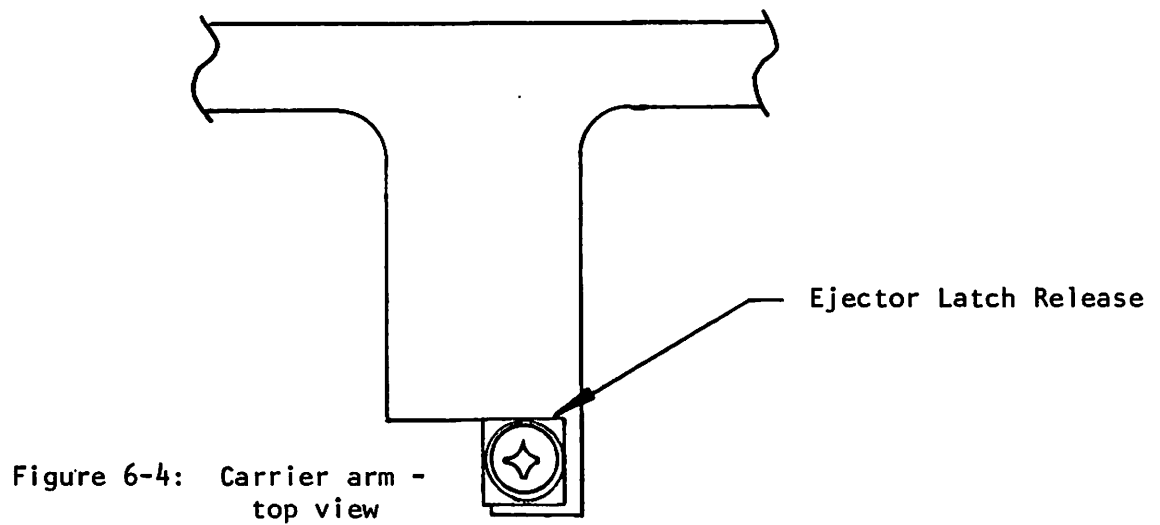


Figure 6-4: Carrier arm - top view

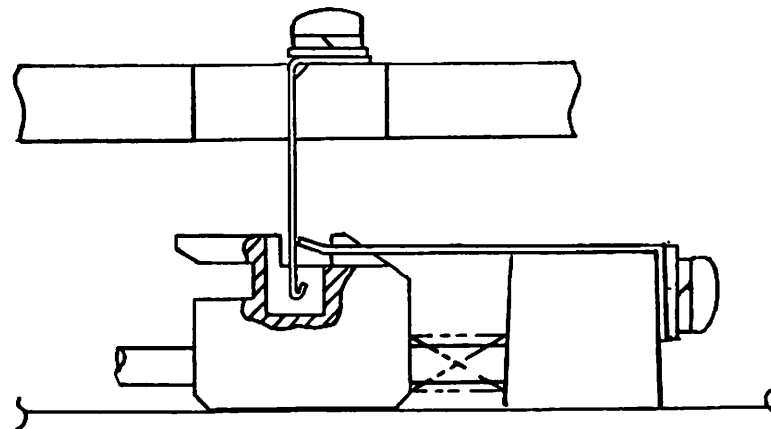


Figure 6-5: Ejector Assembly

### 6.8.1 Ejector Latch Adjustment

After installing the ejector block and latch-- do not install the latch release-- center the "window" in the latch about the "tab" on the block by latching block and adjusting latch. (see Figure 6-3).

### 6.8.2 Ejector Latch Release Adjustment

With the ejector block in the latched position, close the door. Install latch release--do not tighten latch release screw.

Allow latch release to rest against front edge of latch (see Figure 6-4 and 6-5). Position latch release at top/inside edge of carrier arm (or adaptor mounting block). Tighten screw, making sure that the latch release does not rotate about the screw. Open door--latch should release.

Open and close door two or three times. The latch should slightly deflect and then be overridden by the latch release both in the opening and closing directions.

## 6.9 COMPLIANCE MEASUREMENT

To measure compliance perform the following steps in the order listed:

- A. Apply power to the disk drive and select drive.
- B. Step head(s) to track 40 (track 35 for model 52).
- C. Write a 1F pattern (62.5 kilohertz) on the entire track.
- D. Connect 'scope probes to TP1 and TP2 as in radial track alignment procedure (paragraph 6.1).
- E. Apply a 15 gram load to the upper arm directly above the load pad. If the amplitude observed on the 'scope increases by more than 10% the drive has poor compliance; refer to troubleshooting charts, Section 5.

## 6.10 ERASE MEASUREMENT

To measure the effectiveness of the erase, perform the following steps in the order listed:

- A. Apply power to the disk drive and select drive.
- B. Step the head(s) to track 32.
- C. Write a 1F pattern (62.5 Kilohertz) on the entire track.
- D. Connect 'scope to TP1 and TP2 as described in radial-track alignment procedure (see paragraph 6.1).
- E. Connect a jumper from ground to gate 6A pin 7 (model 51 or model 52 bottom head) or 6A pin 1 (model 52 top head).
- F. Step back and forth across track 32 for about 15 seconds.
- G. At the end of the 15-second period, return head(s) to track 32. The amplitude displayed on the 'scope should be reduced by at least 85% in some parts of the trace.
- H. If the amplitude decrease is less than 85%, refer to the troubleshooting charts, section 5.

## 6.11 HIGH FREQUENCY PLAYBACK MEASUREMENT

To measure the amount of high frequency playback, perform the following steps in the order listed.

- A. Apply power to the disk drive and select drive.
- B. Step the head to track 40 (track 35 for the Model 52 drive).
- C. Write a 2F (125 Kilohertz) pattern on the entire track.
- D. Connect 'scope to TP1 and TP2 as described in radial-track alignment procedure (see paragraph 6.1).
- E. The peak-to-peak amplitude displayed on 'scope should be a minimum of 230 millivolts. If the amplitude is less than 230 millivolts, refer to the troubleshooting charts, section 5.

## SECTION 7

### TRACK FORMAT AND DATA RECOVERY

#### 7.0 INTRODUCTION

This section contains applications information relevant to the recording and recovery of data on flexible diskettes.

#### 7.1 WRITE PRECOMPENSATION

When using MFM encoding techniques, it is strongly recommended that write precompensation be used. If the controller design can be made flexible enough to allow write precompensation on a selected number of tracks, then 250 to 300 nanoseconds of write precompensation should be used on tracks 18 through 39 (18 through 34 on Model 52 drives). If selected track precompensation cannot be used, then 125 to 150 nanoseconds of write precompensation should be used on all tracks. Write precompensation is not needed when using FM encoding.

#### 7.2 DATA RECOVERY

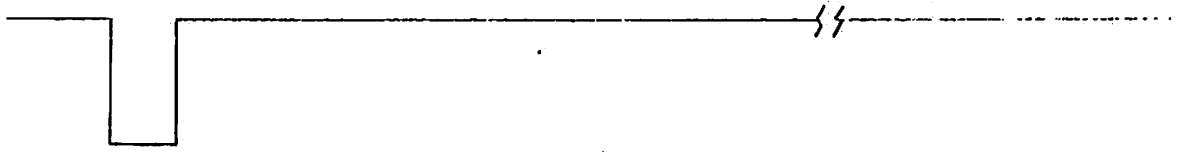
When using FM encoding, a simple one-shot data separator can be used. However, when using MFM or MMFM encoding, it is strongly recommended that a phase-lock-loop recovery method be used. A properly designed phase-lock-loop provides the most reliable data recovery method. The digital counter recovery method is not recommended even for FM encoding.

#### 7.3 TRACK FORMAT--TIMING CONSIDERATIONS

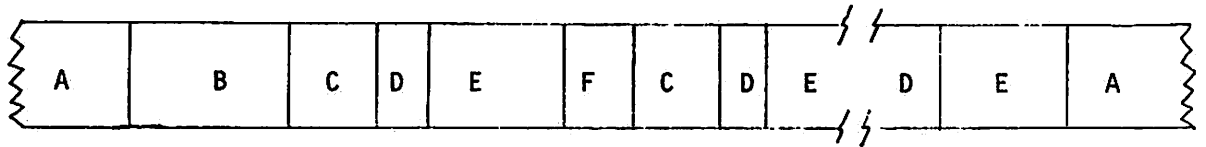
In determining the exact track format to be used, the following timing restraints should be considered:

- A. Postamble (see Figure 7-1): The postamble period must be at least 3 milliseconds to allow for a spindle speed variation of  $\pm 1-1/2\%$
- B. Data gap: The data gap period must be at least 1 millisecond if writing sequential sectors is desired. This is because the tunnel erase type head requires a minimum 1 millisecond write-to-read delay.

INDEX



TRACK



- A - Postamble
- B - Preamble
- C - ID Record
- D - ID Gap
- E - Data Record
- F - Data Gap

Figure 7-1: Typical Track Format

APPENDIX A  
SPARE PARTS LIST

MICRO PERIPHERALS MODEL 51/52

RECOMMENDED SPARES PARTS LIST

| MPI P/N  | DESCRIPTION                             | UNIT PRICE |
|--|---|------------|
| 1. <u>REPLACEABLE PARTS &amp; SUB ASSEMBLIES</u> |   |            |
| 3-29003-001                                      | PCB Assembly                            | \$120.00   |
| 1-79600-006                                      | Shunt                                   | 1.10       |
| 3-35003-001                                      | Drive Motor Assembly                    | 30.00      |
| 2-35002-001                                      | Stepper Motor Assembly                  | 85.00      |
| 1-35027-001                                      | Band/Pulley Assembly                    | 9.00       |
| 2-32002-002                                      | Head Load Solenoid Assembly             | 8.00       |
| 2-35000-001                                      | Track 00 Assembly                       | 6.00       |
| 2-35032-001                                      | Shield Assembly                         | 1.25       |
| 3-35006-001                                      | Rt Hand Guide/Write Protect Assy        | 6.00       |
| 4-21013-002                                      | Lt Hand Guide                           | 3.50       |
| 1-35028-001                                      | Cone/Clutch Assembly                    | 10.00      |
| 1-35031-001                                      | Hub/Spindle Assembly                    | 28.00      |
| 4-35005-001                                      | Carriage/Head Assembly (Single)         | 75.00      |
| 4-35010-001                                      | Carriage/Head Assembly (Double)         | 150.00     |
| 3-32003-001                                      | Harness Assembly                        | 20.00      |
| 1-50500-001                                      | Belt - Neoprene (Black)                 | 6.00       |
| 2-27004-001                                      | Belt - Kapton (Yellow)                  | 5.00       |
| 2-35001-001                                      | Index Sensor Assembly - Model 51        | 4.00       |
| 2-35001-002                                      | Index Sensor Assembly - Model 52        | 4.00       |
| 1-35029-001                                      | Door/Carrier Assembly                   | 18.00      |
| 1-35024-001                                      | Button Release Assembly                 | 6.00       |
| 1-35023-001                                      | Load Pad Assembly                       | 1.00       |
| 1-35025-001                                      | Ejector Assembly                        | 2.50       |
| 4-21014-001                                      | Bezel                                   | 3.50       |
| 1-35026-001                                      | Indicator L.E.D. Assembly               | 1.00       |
| 1-77004-151                                      | Terminator - 150 $\Omega$ Pullup        | 2.00       |
| 1-77005-001                                      | Terminator - 220 $\Omega$ /330 $\Omega$ | 2.00       |

NOTE: READILY AVAILABLE COMPONENTS AND HARDWARE NOT INCLUDED

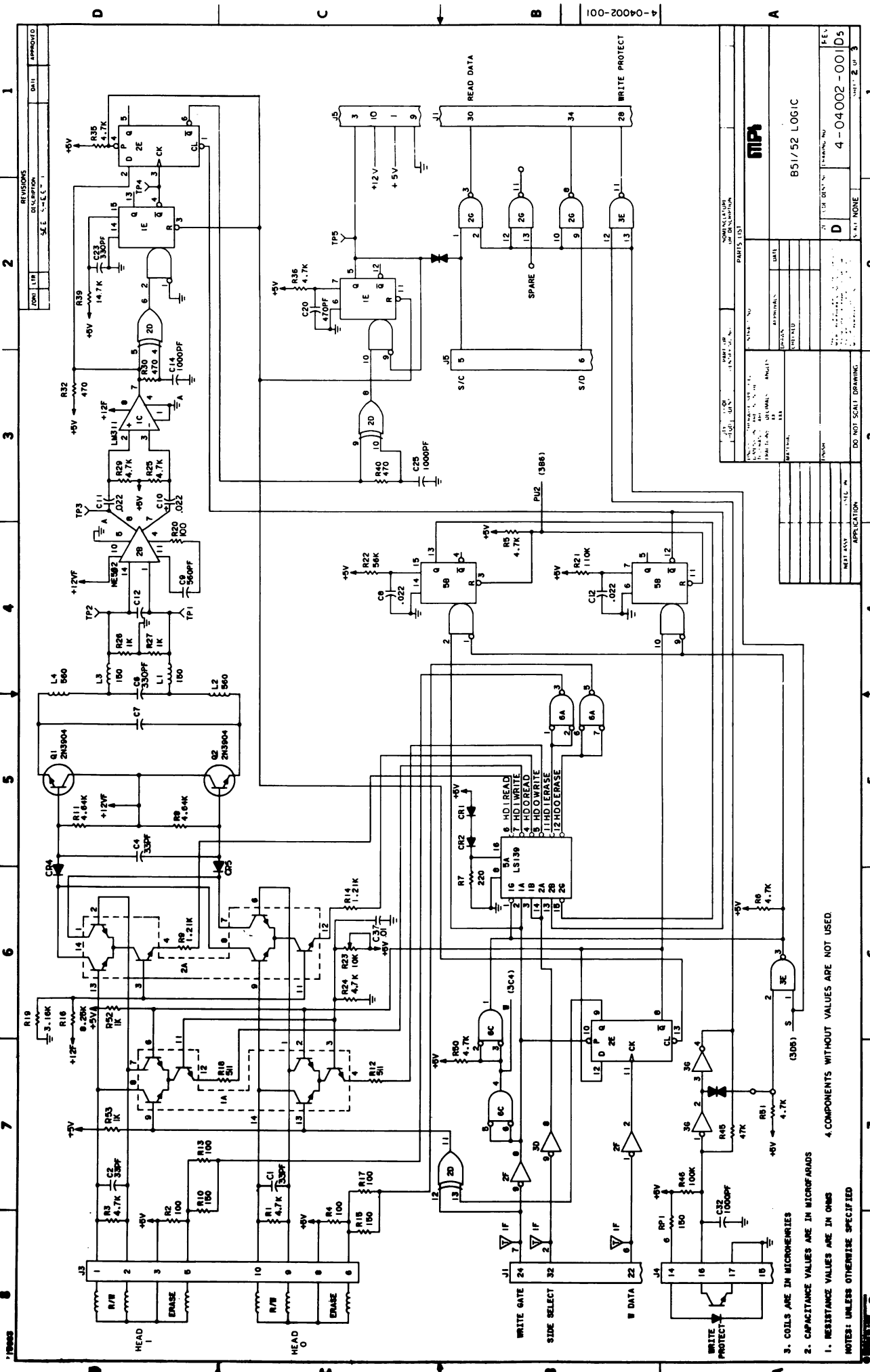


MICRO PERIPHERALS MODEL 51/52

RECOMMENDED SPARES PARTS LIST

| MPI P/N                   | DESCRIPTION                            | UNIT PRICE |
|---------------------------|--|------------|
| <u>II. COMPONENTS</u>     |  |            |
| 1-50000-001               | Bearing, Flanged                       | \$ 3.50    |
| 1-76000-010               | IC, 74LS10                             | 1.50       |
| 1-76000-014               | IC, 74LS14                             | 2.70       |
| 1-76000-033               | IC, 74LS33                             | 1.60       |
| 1-76000-074               | IC, 74LS74                             | 2.00       |
| 1-76000-086               | IC, 74LS86                             | 2.00       |
| 1-76000-123               | IC, 74LS123                            | 3.50       |
| 1-76000-139               | IC, 74LS139                            | 2.75       |
| 1-76000-169               | IC, 74LS169                            | 3.75       |
| 1-76001-038               | IC, 7438                               | 1.50       |
| 1-76004-463               | IC, 75463                              | 2.75       |
| 1-76006-311               | IC, LM311                              | 2.60       |
| 1-76006-339               | IC, LM339                              | 2.40       |
| 1-76005-054               | IC, CA3054                             | 3.75       |
| 1-76007-592               | IC, NE592                              | 5.00       |
| 1-76004-478               | IC, 75478                              | 3.25       |
| 1-78501-001               | Transistor, 2N3904                     | .50        |
| 1-78503-001               | Transistor, TIP 110                    | 1.35       |
| 1-75000-150               | Diode, IN4150                          | .20        |
| 1-77000-223               | Resistor DIP, 22K                      | 2.00       |
| 1-77002-151               | Resistor SIP, 150                      | 1.60       |
| 1-77002-472               | Resistor SIP, 4.7K                     | 1.60       |
| 1-79000-103               | Pot, 10K                               | 2.25       |
| 1-79001-503               | Pot, 50K                               | 5.00       |
| 1-78001-151               | Inductor, 150 $\mu$ H                  | 2.25       |
| 1-78001-561               | Inductor, 560 $\mu$ H                  | 2.25       |
| 1-78001-331               | Inductor, 330 $\mu$ H                  | 2.00       |
| <u>III. SPECIAL TOOLS</u> |  |            |
| 1-42000-001               | C.E. Alignment Diskette (Single Sided) | \$ 60.00   |
| 1-42001-001               | C.E. Alignment Diskette (Double Sided) | 150.00     |
|                           | Model 51/52 Technical Manual           | 30.00      |

**APPENDIX B**  
**DRAWINGS AND SCHEMATICS**



- 1A - CA3054
- 1B - SHUNT
- 1C - LM311
- 1D - NE592
- 1E - 74LS123
- 1F - TERM
- 2A - CA3054
- 2B - CA3054
- 2C - CA3054
- 2D - 74LS86
- 2E - 74LS74
- 2F - 74LS14
- 2G - 74LS14
- 2H - 74LS14
- 2I - 74LS14
- 2J - 74LS14
- 2K - 74LS14
- 2L - 74LS14
- 2M - 74LS14
- 2N - 74LS14
- 2O - 74LS14
- 2P - 74LS14
- 2Q - 74LS14
- 2R - 74LS14
- 2S - 74LS14
- 2T - 74LS14
- 2U - 74LS14
- 2V - 74LS14
- 2W - 74LS14
- 2X - 74LS14
- 2Y - 74LS14
- 2Z - 74LS14
- 3A - 74LS153
- 3B - 74LS153
- 3C - 74LS153
- 3D - 74LS153
- 3E - 74LS153
- 3F - 74LS153
- 3G - 74LS153
- 3H - 74LS153
- 3I - 74LS153
- 3J - 74LS153
- 3K - 74LS153
- 3L - 74LS153
- 3M - 74LS153
- 3N - 74LS153
- 3O - 74LS153
- 3P - 74LS153
- 3Q - 74LS153
- 3R - 74LS153
- 3S - 74LS153
- 3T - 74LS153
- 3U - 74LS153
- 3V - 74LS153
- 3W - 74LS153
- 3X - 74LS153
- 3Y - 74LS153
- 3Z - 74LS153
- 4A - 74LS123
- 4B - 74LS123
- 4C - 74LS123
- 4D - 74LS123
- 4E - 74LS123
- 4F - 74LS123
- 4G - 74LS123
- 4H - 74LS123
- 4I - 74LS123
- 4J - 74LS123
- 4K - 74LS123
- 4L - 74LS123
- 4M - 74LS123
- 4N - 74LS123
- 4O - 74LS123
- 4P - 74LS123
- 4Q - 74LS123
- 4R - 74LS123
- 4S - 74LS123
- 4T - 74LS123
- 4U - 74LS123
- 4V - 74LS123
- 4W - 74LS123
- 4X - 74LS123
- 4Y - 74LS123
- 4Z - 74LS123
- 5A - 74LS10
- 5B - 74LS10
- 5C - 74LS10
- 5D - 74LS10
- 5E - 74LS10
- 5F - 74LS10
- 5G - 74LS10
- 5H - 74LS10
- 5I - 74LS10
- 5J - 74LS10
- 5K - 74LS10
- 5L - 74LS10
- 5M - 74LS10
- 5N - 74LS10
- 5O - 74LS10
- 5P - 74LS10
- 5Q - 74LS10
- 5R - 74LS10
- 5S - 74LS10
- 5T - 74LS10
- 5U - 74LS10
- 5V - 74LS10
- 5W - 74LS10
- 5X - 74LS10
- 5Y - 74LS10
- 5Z - 74LS10
- 6A - 74LS161
- 6B - 74LS161
- 6C - 74LS161
- 6D - 74LS161
- 6E - 74LS161
- 6F - 74LS161
- 6G - 74LS161
- 6H - 74LS161
- 6I - 74LS161
- 6J - 74LS161
- 6K - 74LS161
- 6L - 74LS161
- 6M - 74LS161
- 6N - 74LS161
- 6O - 74LS161
- 6P - 74LS161
- 6Q - 74LS161
- 6R - 74LS161
- 6S - 74LS161
- 6T - 74LS161
- 6U - 74LS161
- 6V - 74LS161
- 6W - 74LS161
- 6X - 74LS161
- 6Y - 74LS161
- 6Z - 74LS161
- 7A - 74LS169
- 7B - 74LS169
- 7C - 74LS169
- 7D - 74LS169
- 7E - 74LS169
- 7F - 74LS169
- 7G - 74LS169
- 7H - 74LS169
- 7I - 74LS169
- 7J - 74LS169
- 7K - 74LS169
- 7L - 74LS169
- 7M - 74LS169
- 7N - 74LS169
- 7O - 74LS169
- 7P - 74LS169
- 7Q - 74LS169
- 7R - 74LS169
- 7S - 74LS169
- 7T - 74LS169
- 7U - 74LS169
- 7V - 74LS169
- 7W - 74LS169
- 7X - 74LS169
- 7Y - 74LS169
- 7Z - 74LS169
- 8A - 74LS163
- 8B - 74LS163
- 8C - 74LS163
- 8D - 74LS163
- 8E - 74LS163
- 8F - 74LS163
- 8G - 74LS163
- 8H - 74LS163
- 8I - 74LS163
- 8J - 74LS163
- 8K - 74LS163
- 8L - 74LS163
- 8M - 74LS163
- 8N - 74LS163
- 8O - 74LS163
- 8P - 74LS163
- 8Q - 74LS163
- 8R - 74LS163
- 8S - 74LS163
- 8T - 74LS163
- 8U - 74LS163
- 8V - 74LS163
- 8W - 74LS163
- 8X - 74LS163
- 8Y - 74LS163
- 8Z - 74LS163

3. COILS ARE IN MICROHMMIES  
 2. CAPACITANCE VALUES ARE IN MICROFARADS  
 1. RESISTANCE VALUES ARE IN OHMS  
 NOTES: UNLESS OTHERWISE SPECIFIED

4-04002-001

DO NOT SCALE DRAWING

REVISIONS

| REV | DATE | DESCRIPTION |
|-----|------|-------------|
| 1   |      |             |
| 2   |      |             |
| 3   |      |             |
| 4   |      |             |
| 5   |      |             |
| 6   |      |             |
| 7   |      |             |
| 8   |      |             |

COMPONENTS WITHOUT VALUES ARE NOT USED.

RESISTANCE VALUES ARE IN OHMS

CAPACITANCE VALUES ARE IN MICROFARADS

COILS ARE IN MICROHMMIES

UNLESS OTHERWISE SPECIFIED

UNIT: 2 OF 3

4-04002-001D5

851/52 LOGIC

6Ga - 75478

6Gb - 75478

5G - 75478

6A - 75463

6C - 74LS33

6E - 74LS123

4F - LM339

4G - 22K DIP

5A - 74LS139

5B - 74LS123

3D - 74LS14

3E - 7438

3G - 74LS14

4C - 74LS10

2E - 74LS74

2F - 74LS14

2G - 7438

3C - 74LS169

4C - 74LS10

1G - SHUNT

2A - CA3054

2B - NE592

2D - 74LS86

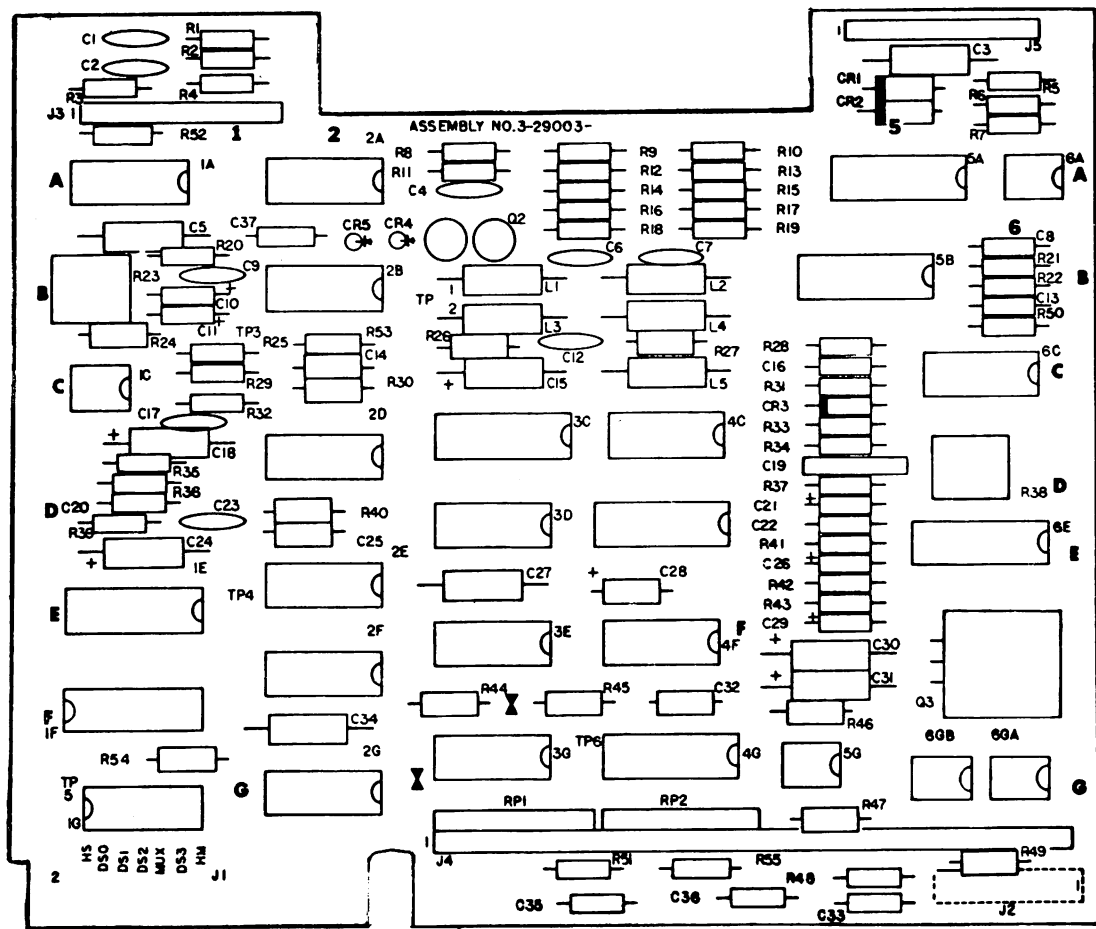
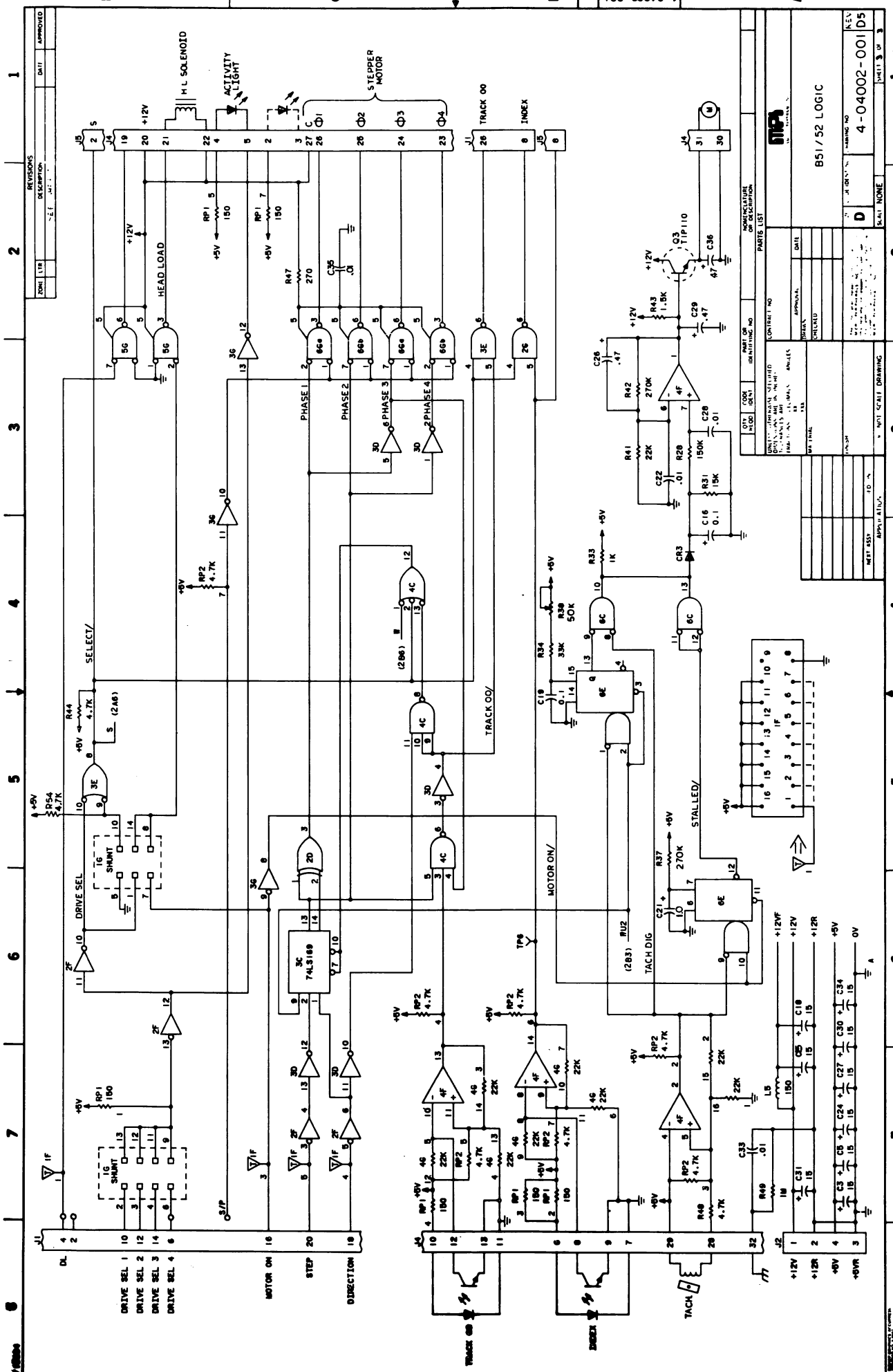


Figure B-1: PCBA Component Layout



| REV | DATE | DESCRIPTION |
|-----|------|-------------|
| 1   |      |             |
| 2   |      |             |
| 3   |      |             |
| 4   |      |             |
| 5   |      |             |
| 6   |      |             |
| 7   |      |             |
| 8   |      |             |

| COMPONENT | VALUE   | QUANTITY     | REMARKS |
|-----------|---------|--------------|---------|
| 1A        | CA3054  | 1G - SHUNT   |         |
| 1B        | LM311   | 2A - CA3054  |         |
| 1C        | 74LS123 | 2B - NE592   |         |
| 1D        | TERM    | 2D - 74LS86  |         |
| 1E        | 74LS74  | 2E - 74LS74  |         |
| 1F        | 74LS14  | 2F - 74LS14  |         |
| 1G        | 74LS14  | 2G - 74LS14  |         |
| 1H        | 7438    | 2H - 7438    |         |
| 1I        | 74LS169 | 3C - 74LS169 |         |
| 1J        | 74LS10  | 4C - 74LS10  |         |
| 1K        | LM339   | 5G - LM339   |         |
| 1L        | 22K DIP | 4F - 22K DIP |         |
| 1M        | 74LS139 | 5A - 74LS139 |         |
| 1N        | 74LS123 | 6C - 74LS123 |         |
| 1O        | 74LS123 | 6E - 74LS123 |         |
| 1P        | 6Ga     | 6Ga - 75478  |         |
| 1Q        | 6Ga     | 6Ga - 75478  |         |

| REV | DATE | DESCRIPTION |
|-----|------|-------------|
| 1   |      |             |
| 2   |      |             |
| 3   |      |             |
| 4   |      |             |
| 5   |      |             |
| 6   |      |             |
| 7   |      |             |
| 8   |      |             |

**APPENDIX C**  
**SIGNAL NAME DEFINITIONS**

## SIGNAL NAME DEFINITIONS

### SIGNAL

|           |  |
|-----------|--|
| DRIVE SEL | When low indicates that the drive is in a select mode.   |
| HDO ERASE | When low indicates that erase coil of bottom head is energized.                                    |
| HDO READ  | When low indicates that bottom head of drive is in read mode.                                      |
| HDO WRITE | When low indicates that bottom head of drive is in write mode.                                     |
| HDI ERASE | When low indicates that erase coil of top head is energized.                                       |
| HDI READ  | When low indicates that top head of drive is in read mode.   |
| HDI WRITE | When low indicates that top head of drive is in write mode.  |
| HEAD LOAD | When low indicates that the head load solenoid is energized.                                       |
| MOTOR ON/ | When high indicates that the drive motor is enabled.   |
| PHASE 1   | When low indicates that $\emptyset 1$ of the stepper motor is active.                              |
| PHASE 2   | When low indicates that $\emptyset 2$ of the stepper motor is active.                              |
| PHASE 3   | When low indicates that $\emptyset 3$ of the stepper motor is active.                              |
| PHASE 4   | When low indicates that $\emptyset 4$ of the stepper motor is active.                              |
| SELECT/   | When high indicates that drive output signals, the stepper logic, and the write logic are enabled. |
| STALLED/  | When high indicates that drive motor is in a stalled condition.                                    |
| TACH DIG  | This signal is the digitized representation of the output of the drive motor tachometer.           |
| TRACK 00/ | When high indicates that the read/write head is located at track 00.                               |



LABORATORIES, INC.

---

ONE INDUSTRIAL AVENUE, LOWELL, MASSACHUSETTS 01851. TEL. (617) 459-5000. TWX 710 343-6769. TELEX 94-7421

PRINTED IN U.S.A.



MPI

CUSTOMER ENGINEERING  
TECHNICAL ASSISTANCE CENTER  
NEWSLETTER

#41016

3109

PERIPHERALS-DISK DRIVES-51/52 FLEX DISK

TOPIC: ERASE GLITCH BOARD

Under Wang Laboratories, Inc., number 278-4026, Wang has two versions of MPI Floppy Drives. In the first version of the MPI Drives, it is required to open the floppy door during power up or power down of the host system to prevent the drive from damaging data on the media while the diskette is installed inside the drive.

On the second version of the MPI Drives, Wang included an erase glitch board in the drive electronics to protect the media integrity during power up and power down. The electronics in this drive contain an ECO to accommodate the erase glitch board in connector J5. Do not remove the erase glitch board from the drives. If the erase glitch board is removed, the drive will not function properly.