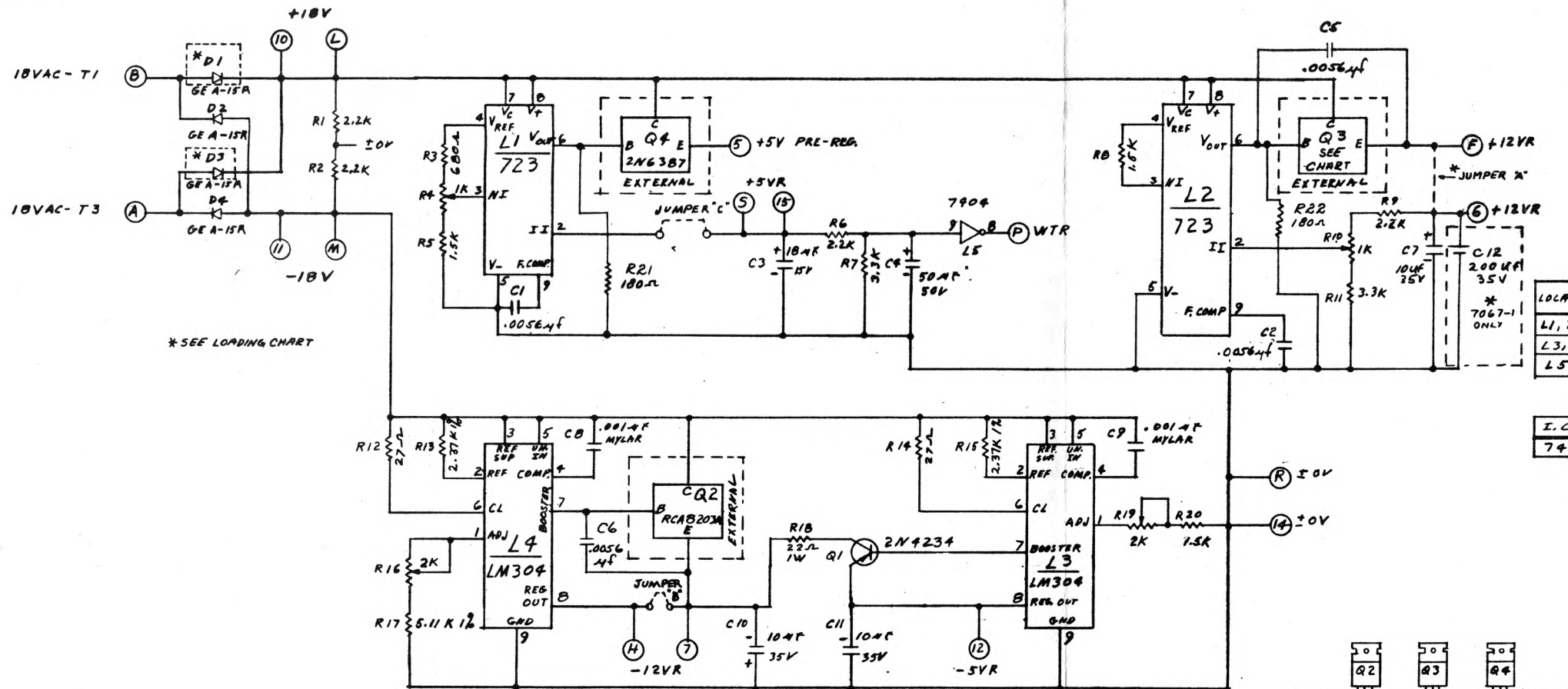


THE INFORMATION CONTAINED IN THIS DRAWING IS THE PROPERTY OF WANG LABORATORIES, INC. AND IS CONFIDENTIAL AND PROPRIETARY TO WANG LABORATORIES, INC. IT MAY NOT BE COPIED, REPRODUCED OR USED IN WHOLE OR IN PART FOR ANY REASON.

MILLIMETERS IN PARENTHESES. TOLERANCES TO BE EQUIVALENT TO INCH DIMENSIONS.

DO NOT SCALE

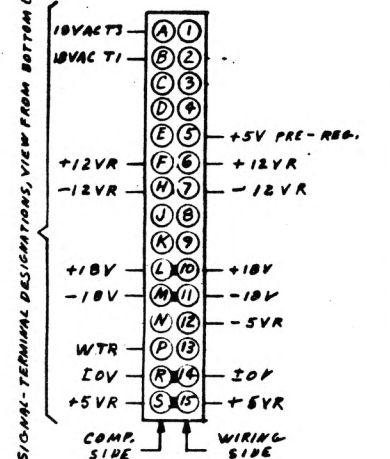


\* SEE LOADING CHART

LOCATION	W.L. PART NO.	PIN NO.	PIN NO.
L1, 2	376-0066	5	
L3, 4	376-0134	9	
L5	376-0010	7	14

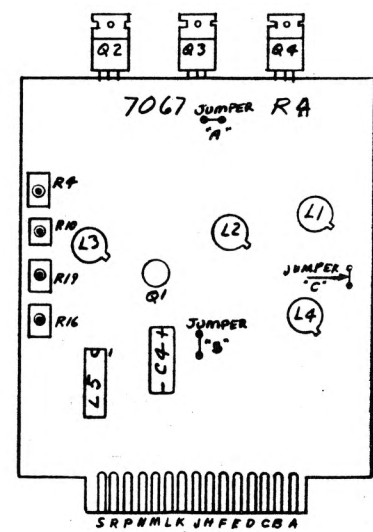
I.C. TYPE	LOCATION	SPARE
7404	L5	5

HOLE LEGEND & TOLERANCES		
HOLE DIA	TOLERANCE	
0.125 - .125	+ .002 - .001	
.126 - .126	+ .002 - .001	
.127 - .127	+ .002 - .001	
SYM	DESCRIPTION	QTY.
A		



COMPONENT	W.L. PART NO.
R1, 2, 6, 9	330-3022
R3	330-2068
R4, 10, 11	336-1014
R5, 8, 20	330-3015
R7, 11	330-3035
R16, 19	336-1022
R13, 15	333-0093
R12, 14	330-1027
R17	333-0088
R18	332-1022
R21, 22	330-2018
C1, 2, 5, 6	300-1973
C3	300-2018
C4	300-3010
C8, 9	300-2010
C7, 10, 11	300-4032
C12	300-4033
D1, 2, 3, 4	380-3008
Q1	375-1024
Q2	375-1053
Q3, 4	375-1052
Q1 PAD	375-9001

LOADING CHART	
210-7067	AVG LOAD C/R LOAD 375-1052 ON Q3
210-7067-1	DO NOT LOAD D1, D2 & JUMPER "A"; CHG. C3 TO A 300-4020-474F, CHG. C7 TO A 300-4033-2008F LOAD 375-1052 ON Q3
210-7067-2	LOADING SAME AS 7067, BUT REMOVE JUMPER "B". LOAD 375-1052 ON Q3



ECN  
NO. PENDING 7067

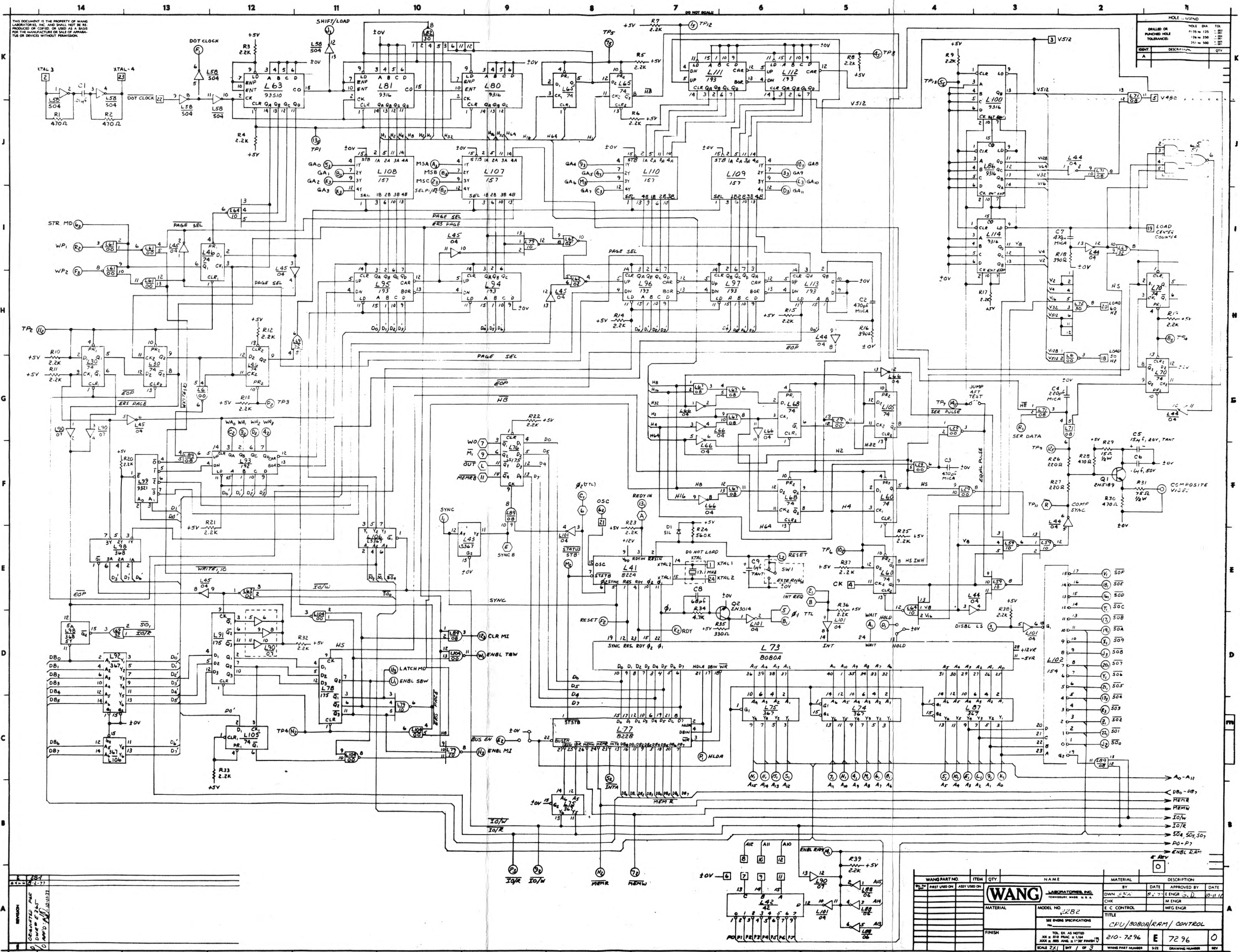
ECN  
NO. PENDING 7067

7067	7067-1	7067-2
E-REV	E-REV	E-REV
6	6	5

REV	DATE	BY	CHK	APP'D	WRT	EBA	WAS	EBA	EBA	EBA	WRT
0	3-30-76	4-18-76	6-13-76	3-22-76	2-17-77	5-27	5-18-77	7-28-77	8-77	8-77	10-11-77
1											
2											
3											
4											
5											
6											
7											
8											
9											
10											

QTY.	ITEM	WANG PART NO.	DRAWING NO.	DESCRIPTION
	NEXT ASSY.			
		<b>WANG</b>		LABORATORIES, INC. TOWERSHAW, MASS. U.S.A.
			MODEL NO.	2200F
			SEE ENGR. SPECIFICATIONS	
			TITLE	SCHEMATIC POWER SUPPLY REGULATOR
			TOL. EX. AS NOTED	
			XX ±	FRAC ±
			XXX ±	ANG ±
			SCALE	1/4" = 1"
			WANG PART NUMBER	D 7067
			SIZE	10
			DRAWING NUMBER	
			REV.	





THIS DOCUMENT IS THE PROPERTY OF WANG LABORATORIES, INC. AND SHALL NOT BE REPRODUCED OR COPIED OR USED IN ANY MANNER FOR THE MANUFACTURE OR SALE OF APPARATUS OR DEVICES WITHOUT PERMISSION.

HOLE - LEAD	HOLE DIA	LEAD DIA	TOL
DRILLED OR PUNCH HOLE	.1154 ±.001	.1154 ±.001	.001
TOLERANCES	.1154 ±.001	.1154 ±.001	.001
QTY			

REV	DESCRIPTION
1	GENERATED FOR DRAWING
2	REVISED

WANG PART NO.	ITEM	QTY	NAME	MATERIAL	DESCRIPTION
74LS04	1	40	INVERTER	74LS04	INVERTER
74LS10	1	10	NAND GATE	74LS10	NAND GATE
74LS112	1	10	FLIP FLOP	74LS112	FLIP FLOP
74LS163	1	10	COUNTER	74LS163	COUNTER
74LS164	1	10	SHIFT REGISTER	74LS164	SHIFT REGISTER



MODEL NO. 2082  
 TITLE: CPU/8080/RAM CONTROL  
 DATE: 10-11-77  
 APPROVED BY: [Signature]  
 CHECKED BY: [Signature]  
 SCALE: 2X  
 SHEET: 1 OF 3

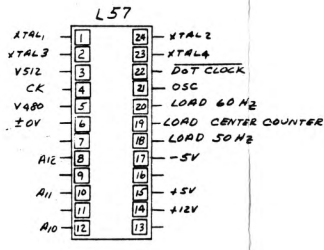
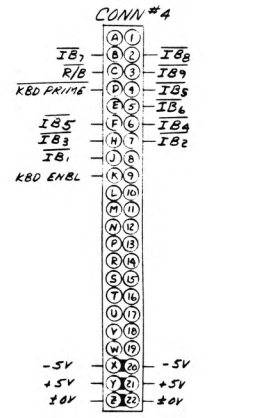
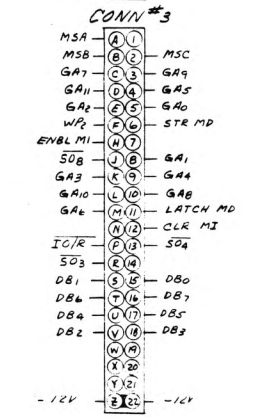
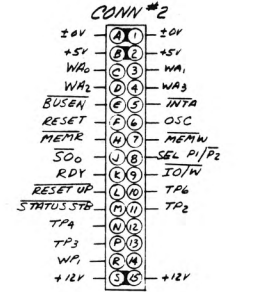
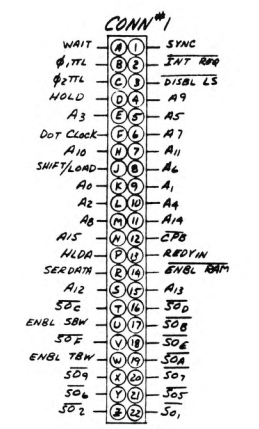
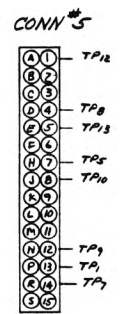
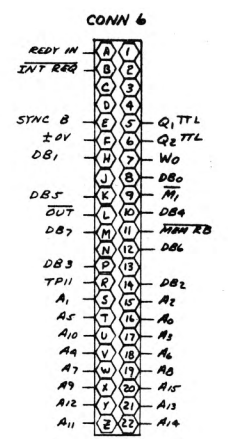
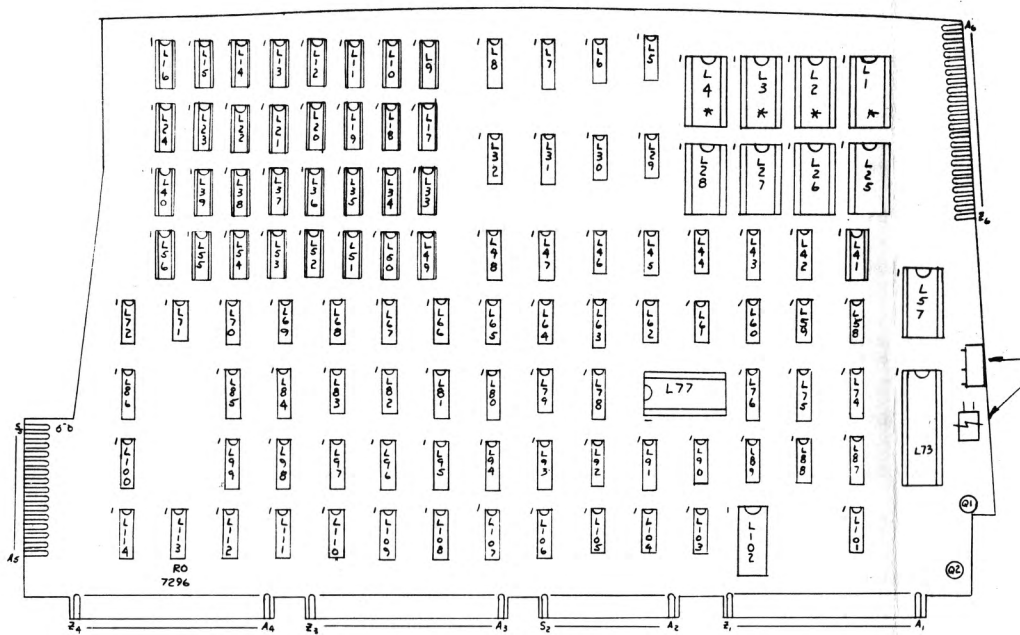






THIS DOCUMENT IS THE PROPERTY OF WANG LABORATORIES, INC. AND SHALL NOT BE REPRODUCED OR COPIED IN WHOLE OR IN PART FOR THE MANUFACTURE OR SALE OF ANY MACHINE OR SERVICE WITHOUT PERMISSION.

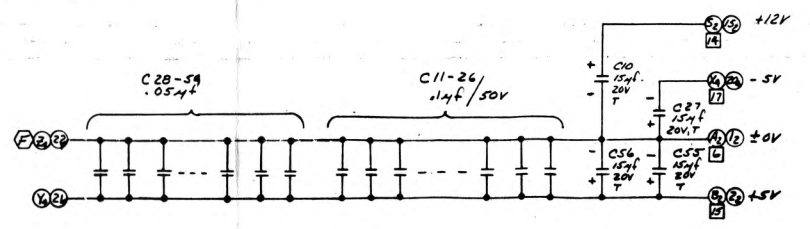
HOLE LEGEND	
DRILLED OR PUNCHED HOLE TOLERANCE	HOLE DIA. TOL.
0.125 ± 0.001	± 0.001
0.1875 ± 0.001	± 0.001
0.250 ± 0.001	± 0.001



COMPONENTS	ML. PT. NO.
Q1	377-1021
Q2	375-0017
XTAL	NOT LOADED
C1	300-1903
C2,3,7	800-5005
C4	300-5004
C5,10,21,55,56	300-4022
C6,11-26	300-1930
C8	300-1049
C9	300-4000
C28-54	300-1900
R1,2,28,30	330-2047
R3-15,17,19-23,25,32,33,36-53	330-3022
R4,18	330-2039
R24	330-5056
R26,27	330-2022
R29	331-1015
R31	531-1076
R34	330-3047
R35	330-2033
D1	380-1001
L9-24,33-41,49-54	376-9005
L25-28,57	376-9016
L73	376-9011
L77	376-9015

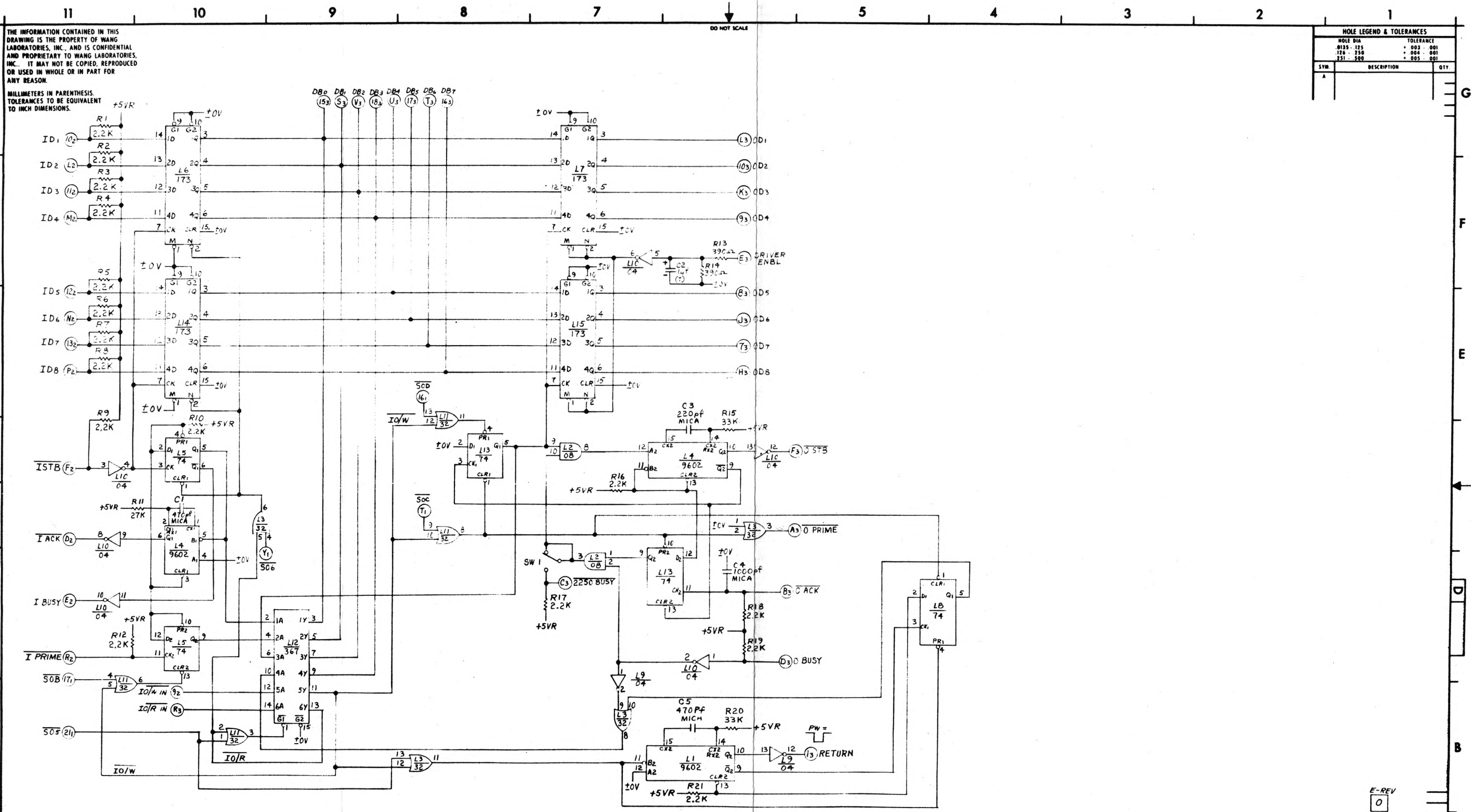
LOCATIONS	ML. PT. NO.	VCC	QND
25-28	377-0317	24	12
L5	376-0012	14	7
L6,29,41,104	376-0002	14	7
L7,8,31,47,48,74,75,87,94	376-0176	16	8
L9-24,33-40,49-54	377-0069	10	9
L30,46,40,65,68,70,83,105	376-0006	14	7
L32,42	376-0008	16	8
L41	377-0337	16	8
L43	376-0192	16	8
L44,45,66,101	376-0010	14	7
L58	376-0197	14	7
L59,64,79	376-0003	14	7
L62	376-0016	14	7
L63	376-0281	16	8
L67,71,89	376-0081	14	7
L69,103	376-0093	14	7
L72,82	376-0031	14	7
L73	377-0269	20	2
L76	376-0160	16	8
L77	377-0338	28	14
L78,91	376-0119	16	8
L80,81,86,100,114	376-0094	16	8
L84,85	376-0193	16	8
L88	376-0055	14	7
L90	376-0056	14	7
L93	376-0190	16	8
L94,95,96,97,111,112,113	376-0053	16	8
L98	376-0179	16	8
L99	376-0096	16	8
L102	376-0090	24	12
L107,108,109,110	376-0082	16	8

SPARES		
LOCA.	TYPE	SP.
L5	7451	1
L6	7400	2
L43	74LS367	4
L62	7402	1
L64	7410	1
L69	7432	1
L88	7406	3
L99	9321	1



WANG PART NO.	ITEM	QTY	NAME	MATERIAL	DESCRIPTION
2282			CPU/BOB0A/RAM/CONTROL		

WANG LABORATORIES, INC.  
3200 WASHINGTON BLVD.  
BOSTON, MASS. 02118



THE INFORMATION CONTAINED IN THIS DRAWING IS THE PROPERTY OF WANG LABORATORIES, INC. AND IS CONFIDENTIAL AND PROPRIETARY TO WANG LABORATORIES, INC. IT MAY NOT BE COPIED, REPRODUCED OR USED IN WHOLE OR IN PART FOR ANY REASON.

HOLE LEGEND & TOLERANCES		
HOLE DIA	TOLERANCE	
Ø135 - 125	+ 003 - 001	
125 - 750	+ 004 - 001	
751 - 500	+ 005 - 001	
SYMBOL	DESCRIPTION	QTY
A		

MILLIMETERS IN PARENTHESIS. TOLERANCES TO BE EQUIVALENT TO INCH DIMENSIONS.

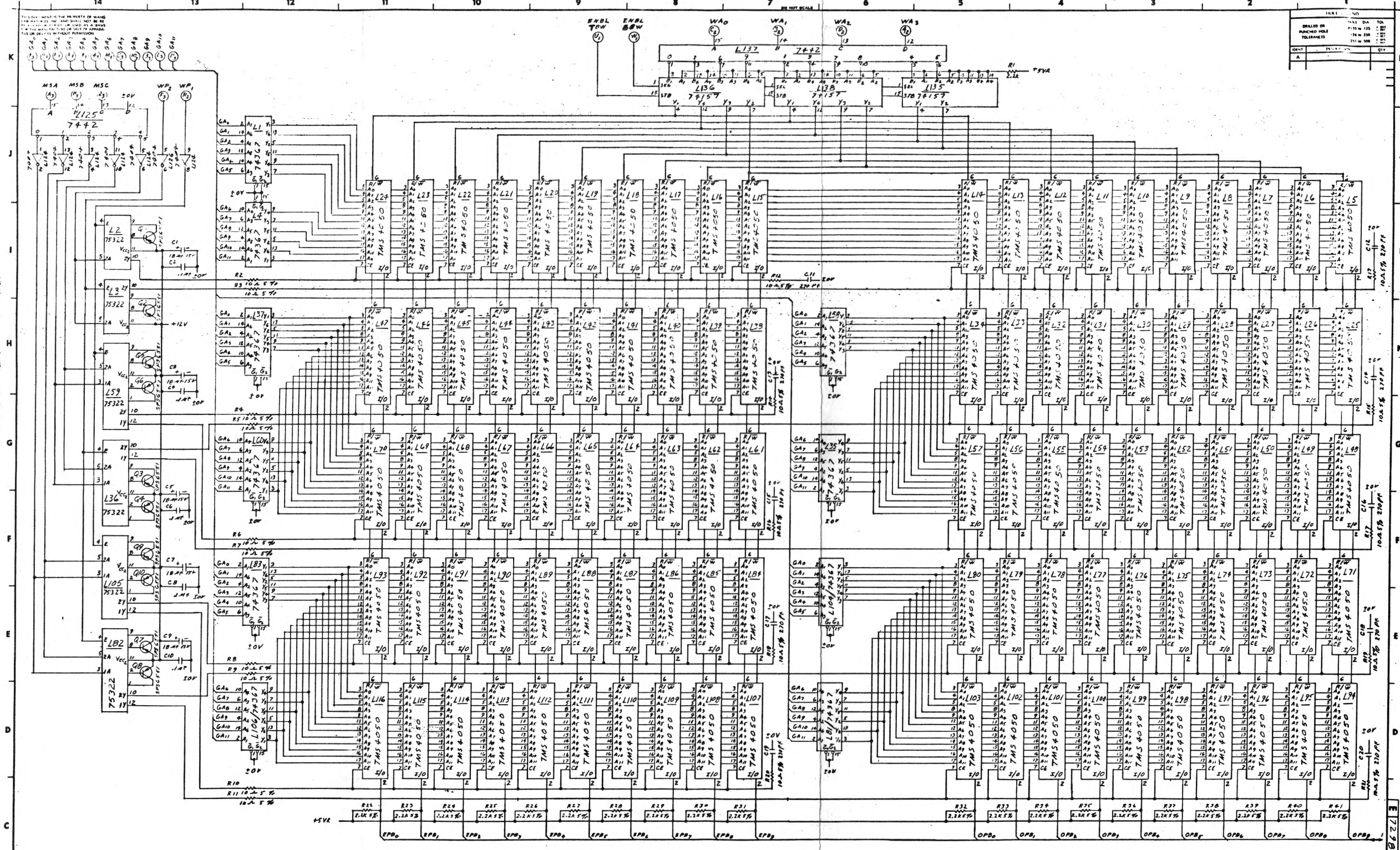
REV	DESCRIPTION	DATE	BY	APPROVED BY	DATE
0	ORIGINATED PER DWG # E-366 APP'D: J.M.B. 10-15-77	10-15-77	DWN	E ENGR	10-15-77
1			CHK	M ENGR	
2				MFG ENGR	

QTY.	ITEM	WANG PART NO.	DRAWING NO.	DESCRIPTION
		<b>WANG</b>		LABORATORIES, INC. TOWERSBORO, MASS. U.S.A.
				MODEL NO. 2282
				SEE ENGR. SPECIFICATIONS
				TITLE I/O INTERFACE
				TOL. EX. AS NOTED
				FINISH
				210-7297 D 7297 0
				SCALE 1/8" = 1" SMT 1 OF 2
				WANG PART NUMBER SIZE DRAWING NUMBER REV

E-REV  
0







DATE	BY	CHK	APP

NO.	REV.	DATE	BY	DESCRIPTION
1				
2				

WANG PART NO.	ITEM	QTY	NAME	MATERIAL	DESCRIPTION
			<b>WANG</b>		
			LABORATORIES, INC.		
			TEMPERATURE MADE U.S.A.		
			MODEL NO. 200		
			SEE ENGINE SPECIFICATIONS		
			TITLE	IMAGE MEMORY	
			TOL. SEE AS NOTED		
			SEE 200-7298		
			SCALE	1/8" = 1"	
			WANG PART NUMBER	7298	
			SIZE	DRAWING NUMBER	

