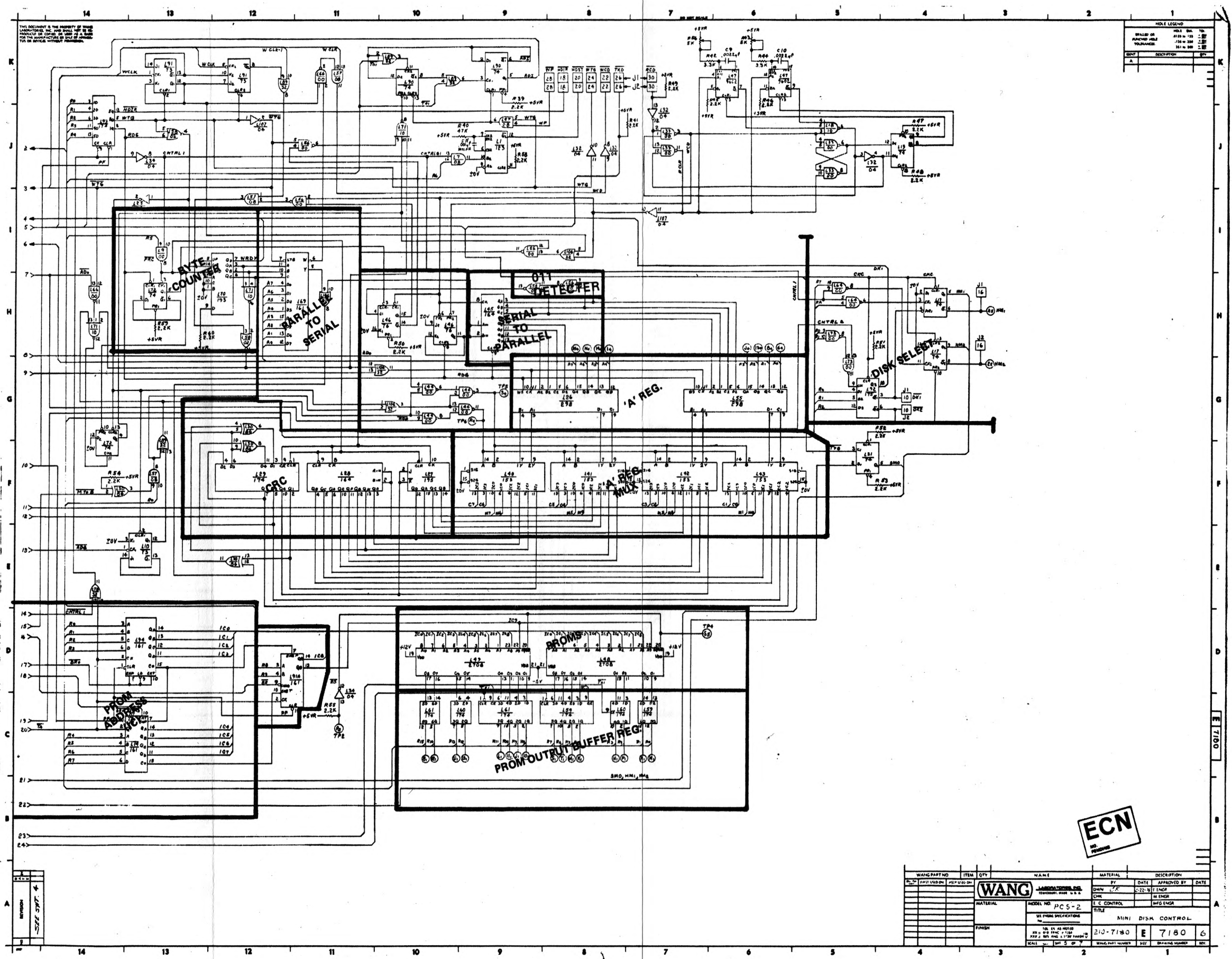


HOLE LEGEND		
NO.	DESCRIPTION	QTY.
1	...	...
2	...	...
3	...	...
4	...	...
5	...	...
6	...	...
7	...	...
8	...	...
9	...	...
10	...	...
11	...	...
12	...	...
13	...	...
14	...	...

NO.	DESCRIPTION	QTY.
1	...	...
2	...	...
3	...	...
4	...	...
5	...	...
6	...	...
7	...	...
8	...	...
9	...	...
10	...	...
11	...	...
12	...	...
13	...	...
14	...	...

WANG		MODEL NO. PCS-2	TITLE	MINI DISK CONTROL
FINISH		210-7180	E 7180	6



HOLE LEGEND	
DRILLED OR	HOLE DIA.
PUNCH-HOLE	1/16 IN. DIA.
VOLUME	3/16 IN. DIA.
DEPTH	DESCRIPTION
A	

**ECN**  
NO. 1000000

WANG PART NO.	ITEM	QTY	NAME	MATERIAL	DESCRIPTION																								
PC5-2			MINI-DISK CONTROL																										
<table border="1"> <tr> <td>DATE</td> <td>BY</td> <td>DATE</td> <td>APPROVED BY</td> <td>DATE</td> </tr> <tr> <td>02-22-78</td> <td>ENGR</td> <td></td> <td></td> <td></td> </tr> <tr> <td></td> <td>ENGR</td> <td></td> <td></td> <td></td> </tr> <tr> <td></td> <td>ENGR</td> <td></td> <td></td> <td></td> </tr> </table>						DATE	BY	DATE	APPROVED BY	DATE	02-22-78	ENGR					ENGR					ENGR							
DATE	BY	DATE	APPROVED BY	DATE																									
02-22-78	ENGR																												
	ENGR																												
	ENGR																												
<table border="1"> <tr> <td>MODEL NO.</td> <td>PC5-2</td> <td>TITLE</td> <td>MINI-DISK CONTROL</td> </tr> <tr> <td>WE PENDING SPECIFICATIONS</td> <td></td> <td></td> <td></td> </tr> <tr> <td>TO BE AS NOTED</td> <td></td> <td></td> <td></td> </tr> <tr> <td>AND TO BE MADE TO ORDER</td> <td></td> <td></td> <td></td> </tr> <tr> <td>DATE OF ORDER</td> <td>02-22-78</td> <td>WANG PART NUMBER</td> <td>210-7180</td> </tr> <tr> <td>SCALE</td> <td>1:1</td> <td>REV.</td> <td>6</td> </tr> </table>						MODEL NO.	PC5-2	TITLE	MINI-DISK CONTROL	WE PENDING SPECIFICATIONS				TO BE AS NOTED				AND TO BE MADE TO ORDER				DATE OF ORDER	02-22-78	WANG PART NUMBER	210-7180	SCALE	1:1	REV.	6
MODEL NO.	PC5-2	TITLE	MINI-DISK CONTROL																										
WE PENDING SPECIFICATIONS																													
TO BE AS NOTED																													
AND TO BE MADE TO ORDER																													
DATE OF ORDER	02-22-78	WANG PART NUMBER	210-7180																										
SCALE	1:1	REV.	6																										



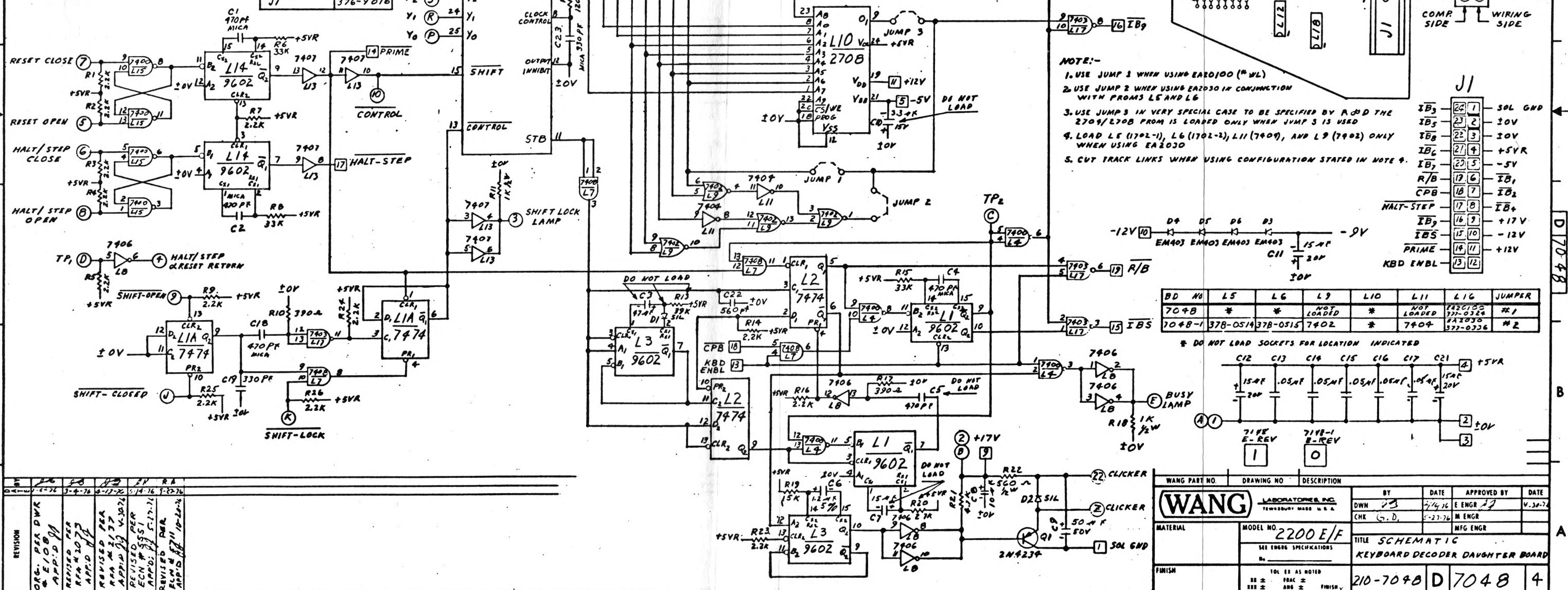
THE INFORMATION CONTAINED IN THIS DRAWING IS THE PROPERTY OF WANG LABORATORIES, INC. AND IS CONFIDENTIAL AND PROPRIETARY TO WANG LABORATORIES, INC. IT MAY NOT BE COPIED, REPRODUCED OR USED IN WHOLE OR IN PART FOR ANY REASON.

MILLIMETERS IN PARENTHESES. TOLERANCES TO BE EQUIVALENT TO INCH DIMENSIONS.

LOCATION	W. L. PART NO	PIN NO	PIN NO
		ICV	+5VR
L1,3,14	376-0104	8	16
L2,1A	376-0006	7	14
L4,15	376-0002	7	14
L5,6	SEE LOADING CHART		
L7	376-0081	7	14
L8	376-0055	7	14
L9	SEE LOADING CHART		
L10	SEE LOADING CHART	12	24
L11	SEE LOADING CHART	7	14
L12,17,18	376-002B	7	14
L13	376-0056	7	14
L16	SEE LOADING CHART	9	1

IC TYPE	LOCATION	SPARE
7407	L13	1

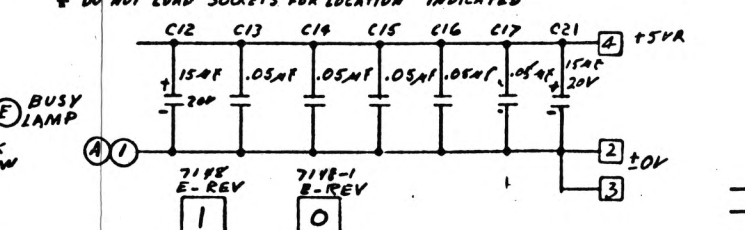
COMPONENT	W.L. PART NO
R1-5,7,9,19,16,23-26	370-3022
R6,8,15	330-4033
R17,17	377-2030
R11,18	371-3070
R19	375-1015
R12	333-0098
R13	330-4039
R20	330-4027
R21	330-3097
R22	331-2056
C1,2,4,5,18	300-5005
C3	300-4020
C6	300-4026
C7,11,12,20,21	300-4022
C8	300-4032
C9	300-3010
C10	377-4016
C13,14,15,16,17	350-1900
C23	350-5007
C19	300-1330
D1,2	380-1001
D4,5,6,3	380-4000
C22	300-1560
Q1	375-1024
J4,5,6	376-9003
L16	376-9011
J1	376-9016



- NOTE:-
1. USE JUMP 1 WHEN USING EA20100 (# WL)
  2. USE JUMP 2 WHEN USING EA2030 IN CONJUNCTION WITH PROMS L5 AND L6
  3. USE JUMPS IN VERY SPECIAL CASE TO BE SPECIFIED BY R.O.D THE 2709/L70B FROM IS LOADED ONLY WHEN JUMP 3 IS USED
  4. LOAD L5 (1702-1), L6 (1702-2), L11 (7409), AND L9 (7402) ONLY WHEN USING EA2030
  5. CUT TRACK LINKS WHEN USING CONFIGURATION STATED IN NOTE 4.

BD NO	L5	L6	L9	L10	L11	L16	JUMPER
704B	*	*	NOT LOADED	*	NOT LOADED	7401/35	#1
704B-1	378-0514	378-0515	7402	*	7404	377-0324	#2

\* DO NOT LOAD SOCKETS FOR LOCATION INDICATED



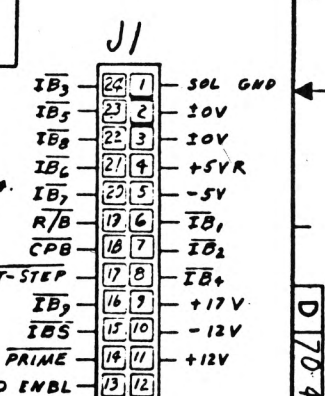
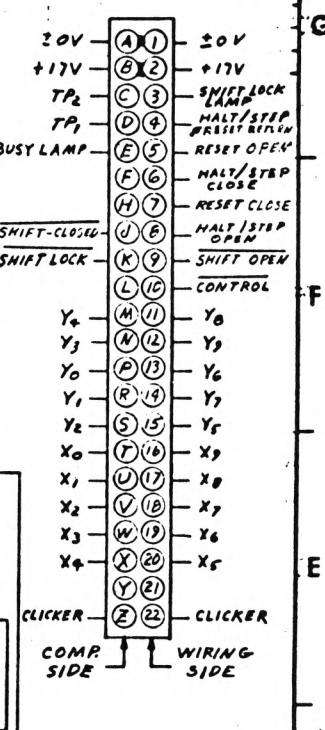
WANG PART NO.	DRAWING NO.	DESCRIPTION
2200 E/F	210-704B	KEYBOARD DECODER DAUGHTER BOARD

BY	DATE	APPROVED BY	DATE
DWN	7/14/76	E ENGR	7/14/76
CHK	G.D.	M ENGR	5-27-76
		MFG ENGR	

MATERIAL	MODEL NO.	TITLE
	2200 E/F	SCHEMATIC
		KEYBOARD DECODER DAUGHTER BOARD

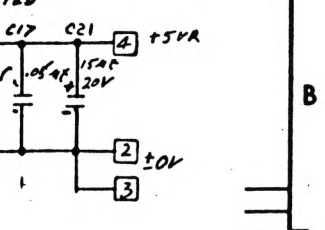
NO	REV	DATE	BY	REASON
1	1	7-14-76	DWN	REVISED PER R.A.
2	2	7-14-76	DWN	REVISED PER R.A.
3	3	7-14-76	DWN	REVISED PER R.A.
4	4	7-14-76	DWN	REVISED PER R.A.
5	5	7-14-76	DWN	REVISED PER R.A.
6	6	7-14-76	DWN	REVISED PER R.A.
7	7	7-14-76	DWN	REVISED PER R.A.
8	8	7-14-76	DWN	REVISED PER R.A.
9	9	7-14-76	DWN	REVISED PER R.A.
10	10	7-14-76	DWN	REVISED PER R.A.
11	11	7-14-76	DWN	REVISED PER R.A.
12	12	7-14-76	DWN	REVISED PER R.A.
13	13	7-14-76	DWN	REVISED PER R.A.
14	14	7-14-76	DWN	REVISED PER R.A.
15	15	7-14-76	DWN	REVISED PER R.A.
16	16	7-14-76	DWN	REVISED PER R.A.
17	17	7-14-76	DWN	REVISED PER R.A.
18	18	7-14-76	DWN	REVISED PER R.A.
19	19	7-14-76	DWN	REVISED PER R.A.
20	20	7-14-76	DWN	REVISED PER R.A.
21	21	7-14-76	DWN	REVISED PER R.A.
22	22	7-14-76	DWN	REVISED PER R.A.
23	23	7-14-76	DWN	REVISED PER R.A.
24	24	7-14-76	DWN	REVISED PER R.A.
25	25	7-14-76	DWN	REVISED PER R.A.
26	26	7-14-76	DWN	REVISED PER R.A.
27	27	7-14-76	DWN	REVISED PER R.A.
28	28	7-14-76	DWN	REVISED PER R.A.
29	29	7-14-76	DWN	REVISED PER R.A.
30	30	7-14-76	DWN	REVISED PER R.A.
31	31	7-14-76	DWN	REVISED PER R.A.
32	32	7-14-76	DWN	REVISED PER R.A.
33	33	7-14-76	DWN	REVISED PER R.A.
34	34	7-14-76	DWN	REVISED PER R.A.
35	35	7-14-76	DWN	REVISED PER R.A.
36	36	7-14-76	DWN	REVISED PER R.A.
37	37	7-14-76	DWN	REVISED PER R.A.
38	38	7-14-76	DWN	REVISED PER R.A.
39	39	7-14-76	DWN	REVISED PER R.A.
40	40	7-14-76	DWN	REVISED PER R.A.
41	41	7-14-76	DWN	REVISED PER R.A.
42	42	7-14-76	DWN	REVISED PER R.A.
43	43	7-14-76	DWN	REVISED PER R.A.
44	44	7-14-76	DWN	REVISED PER R.A.
45	45	7-14-76	DWN	REVISED PER R.A.
46	46	7-14-76	DWN	REVISED PER R.A.
47	47	7-14-76	DWN	REVISED PER R.A.
48	48	7-14-76	DWN	REVISED PER R.A.
49	49	7-14-76	DWN	REVISED PER R.A.
50	50	7-14-76	DWN	REVISED PER R.A.

MOLE LEGEND & TOLERANCES		
MOLE DIA	TOLERANCE	QTY
.0125 - .015	.003 - .001	
.016 - .018	.004 - .001	
.021 - .024	.005 - .001	



BD NO	L5	L6	L9	L10	L11	L16	JUMPER
704B	*	*	NOT LOADED	*	NOT LOADED	7401/35	#1
704B-1	378-0514	378-0515	7402	*	7404	377-0324	#2

\* DO NOT LOAD SOCKETS FOR LOCATION INDICATED



WANG PART NO.	DRAWING NO.	DESCRIPTION
2200 E/F	210-704B	KEYBOARD DECODER DAUGHTER BOARD

BY	DATE	APPROVED BY	DATE
DWN	7/14/76	E ENGR	7/14/76
CHK	G.D.	M ENGR	5-27-76
		MFG ENGR	

MATERIAL	MODEL NO.	TITLE
	2200 E/F	SCHEMATIC
		KEYBOARD DECODER DAUGHTER BOARD

NO	REV	DATE	BY	REASON
1	1	7-14-76	DWN	REVISED PER R.A.
2	2	7-14-76	DWN	REVISED PER R.A.
3	3	7-14-76	DWN	REVISED PER R.A.
4	4	7-14-76	DWN	REVISED PER R.A.
5	5	7-14-76	DWN	REVISED PER R.A.
6	6	7-14-76	DWN	REVISED PER R.A.
7	7	7-14-76	DWN	REVISED PER R.A.
8	8	7-14-76	DWN	REVISED PER R.A.
9	9	7-14-76	DWN	REVISED PER R.A.
10	10	7-14-76	DWN	REVISED PER R.A.
11	11	7-14-76	DWN	REVISED PER R.A.
12	12	7-14-76	DWN	REVISED PER R.A.
13	13	7-14-76	DWN	REVISED PER R.A.
14	14	7-14-76	DWN	REVISED PER R.A.
15	15	7-14-76	DWN	REVISED PER R.A.
16	16	7-14-76	DWN	REVISED PER R.A.
17	17	7-14-76	DWN	REVISED PER R.A.
18	18	7-14-76	DWN	REVISED PER R.A.
19	19	7-14-76	DWN	REVISED PER R.A.
20	20	7-14-76	DWN	REVISED PER R.A.
21	21	7-14-76	DWN	REVISED PER R.A.
22	22	7-14-76	DWN	REVISED PER R.A.
23	23	7-14-76	DWN	REVISED PER R.A.
24	24	7-14-76	DWN	REVISED PER R.A.
25	25	7-14-76	DWN	REVISED PER R.A.
26	26	7-14-76	DWN	REVISED PER R.A.
27	27	7-14-76	DWN	REVISED PER R.A.
28	28	7-14-76	DWN	REVISED PER R.A.
29	29	7-14-76	DWN	REVISED PER R.A.
30	30	7-14-76	DWN	REVISED PER R.A.
31	31	7-14-76	DWN	REVISED PER R.A.
32	32	7-14-76	DWN	REVISED PER R.A.
33	33	7-14-76	DWN	REVISED PER R.A.
34	34	7-14-76	DWN	REVISED PER R.A.
35	35	7-14-76	DWN	REVISED PER R.A.
36	36	7-14-76	DWN	REVISED PER R.A.
37	37	7-14-76	DWN	REVISED PER R.A.
38	38	7-14-76	DWN	REVISED PER R.A.
39	39	7-14-76	DWN	REVISED PER R.A.
40	40	7-14-76	DWN	REVISED PER R.A.
41	41	7-14-76	DWN	REVISED PER R.A.
42	42	7-14-76	DWN	REVISED PER R.A.
43	43	7-14-76	DWN	REVISED PER R.A.
44	44	7-14-76	DWN	REVISED PER R.A.
45	45	7-14-76	DWN	REVISED PER R.A.
46	46	7-14-76	DWN	REVISED PER R.A.
47	47	7-14-76	DWN	REVISED PER R.A.
48	48	7-14-76	DWN	REVISED PER R.A.
49	49	7-14-76	DWN	REVISED PER R.A.
50	50	7-14-76	DWN	REVISED PER R.A.

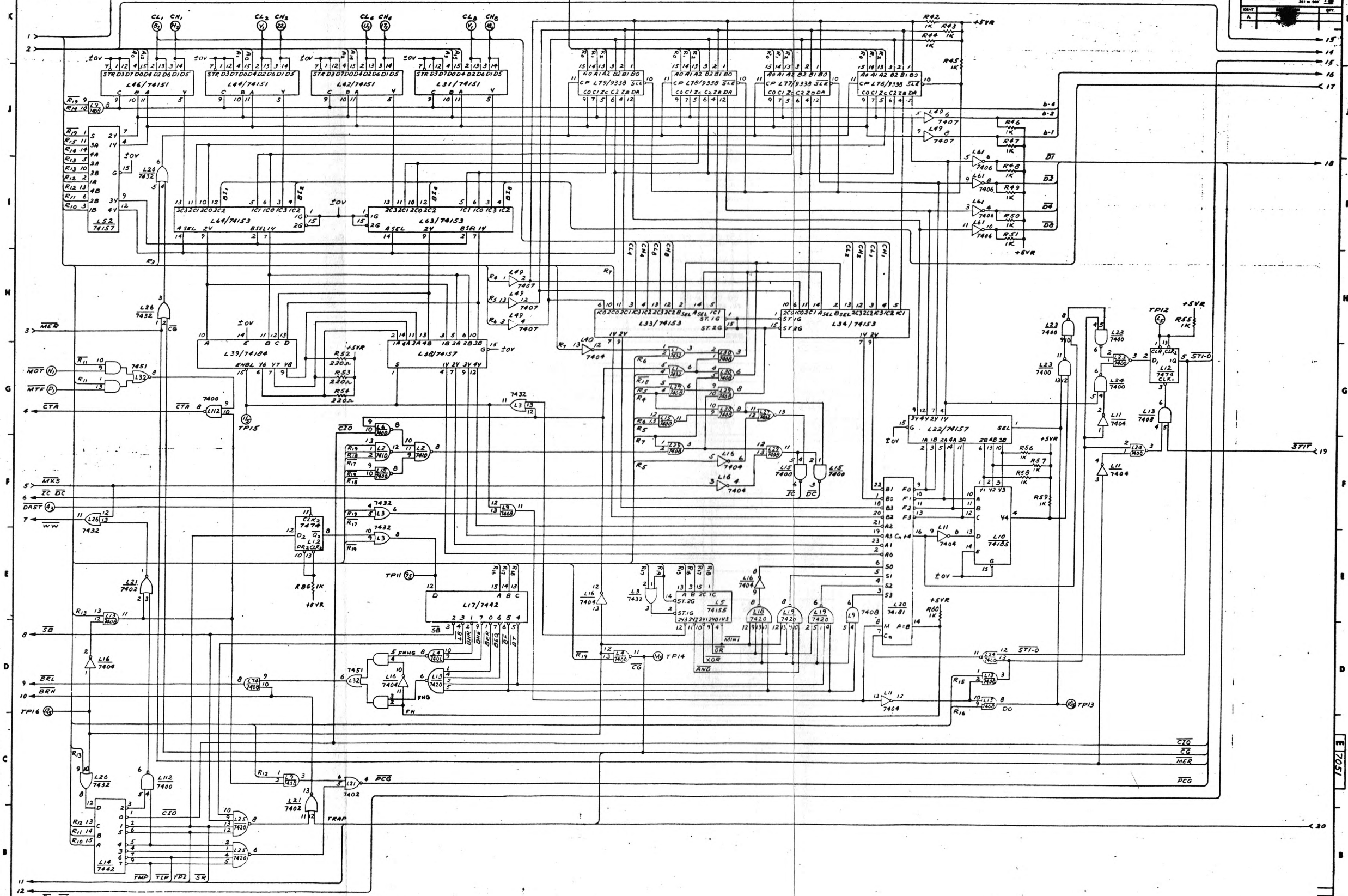






THIS DOCUMENT IS THE PROPERTY OF WANG LABORATORIES, INC. AND SHALL NOT BE REPRODUCED OR COPIED, OR USED AS A BASIS FOR THE MANUFACTURE OR SALE OF APPARATUS OR DEVICES WITHOUT PERMISSION.

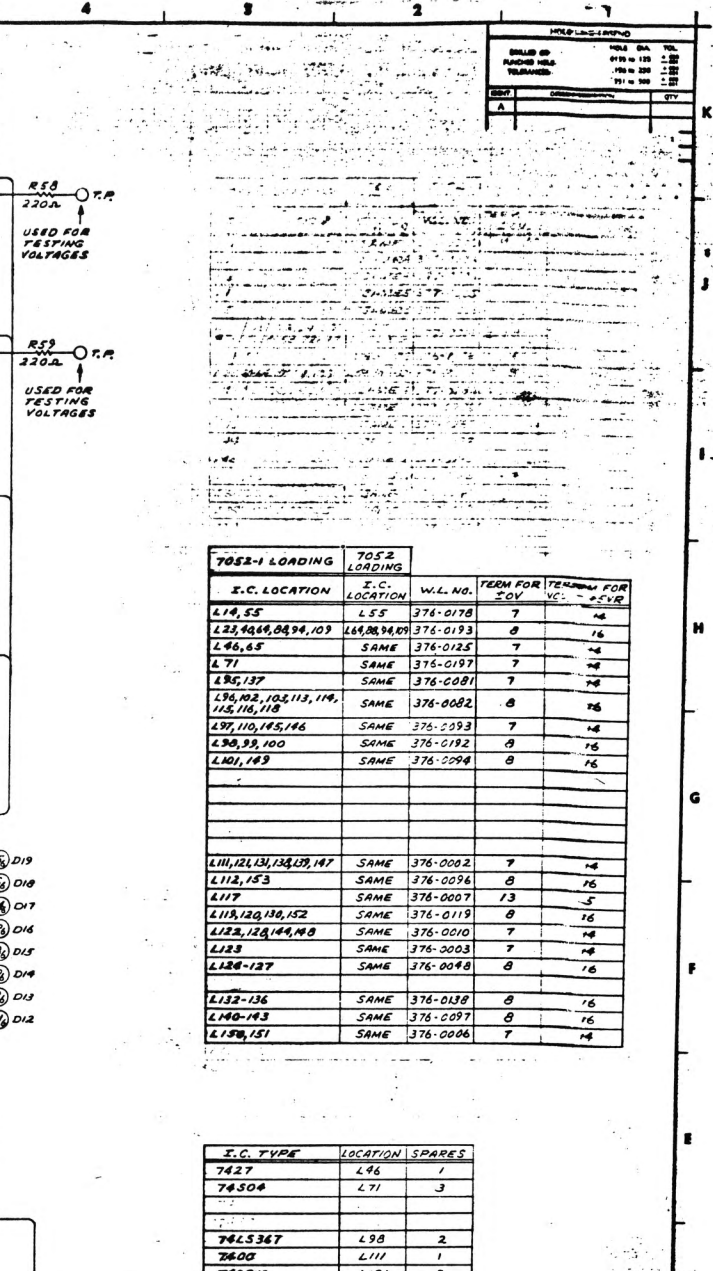
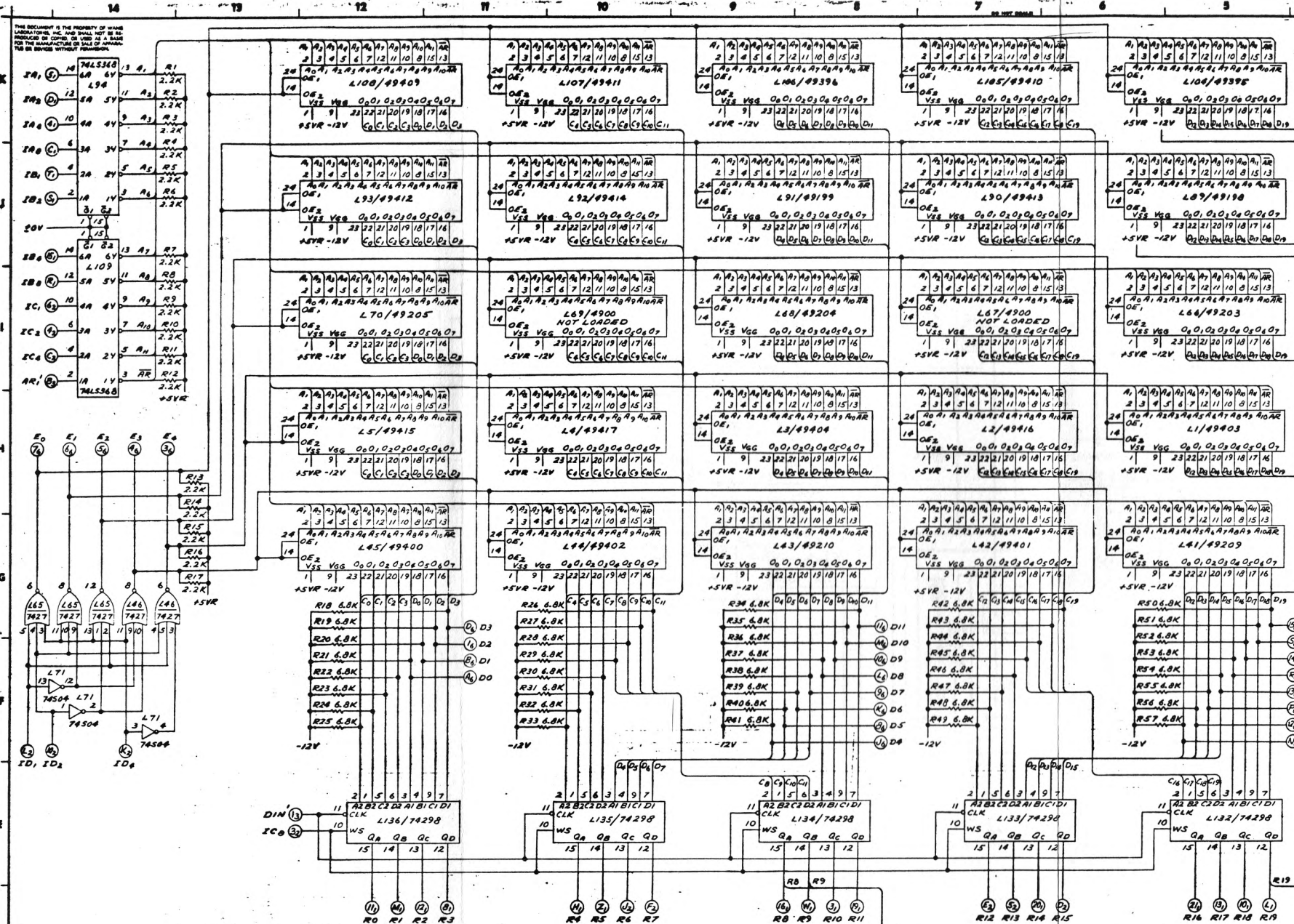
HOLE LEGEND			
DRILLED BY	HOLE DIA.	PTH.	
PUNCHED HOLE	.125 to .188	2.00	
TELE-DRILL	.188 to .300	2.00	
	.301 to .500	2.00	
QTY.			
A			



WANGPART NO.	ITEM	QTY.	NAME	MATERIAL	DESCRIPTION
2200EF	1	1	WANG	LABORATORIES, INC.	MODEL NO. 2200EF
					WE ENGR SPECIFICATIONS
					TITLE: C.P.U.
					210-7051 E 7051
					SCALE: 1/8" = 1"
					WANG PART NUMBER: 210-7051
					DRAWING NUMBER: E 7051
					REV: 3







7052-1 LOADING	7052 LOADING
I.C. LOCATION	I.C. LOCATION
L10, L55	L55 376-0178
L23, 46, 65, 84, 94, 103	L65, 84, 94, 103 376-0193
L46, 65	SAME 376-0125
L71	SAME 376-0197
L95, 137	SAME 376-0091
L94, 102, 102, 113, 119, 118, 116, 118	SAME 376-0082
L97, 110, 105, 116	SAME 376-2093
L98, 99, 100	SAME 376-0192
L101, 149	SAME 376-2098
L111, 121, 131, 134, 135, 147	SAME 376-0002
L112, 153	SAME 376-0096
L117	SAME 376-0007
L119, 120, 130, 152	SAME 376-0119
L122, 129, 144, 148	SAME 376-0010
L123	SAME 376-0003
L126-127	SAME 376-0048
L122-126	SAME 376-0138
L140-143	SAME 376-0097
L150, 151	SAME 376-0006

I.C. TYPE	LOCATION	SPARES
7427	L46	1
74504	L71	3
74LS367	L98	2
7400	L111	1
7400	L121	3
7321	L153	1
7404	L144	1
7404	L148	1
7474	L150	1

**VARIATION CHART**

I.C. LOCATION	210-7052-2A	210-7052-4A	210-7052-6A	210-7052-8A	±5V	+12V	-5V	+12V	±0V
L72-87	377-0314	377-0314	377-0314	377-0314				1	10
L87-94, 96-63	377-0314	377-0314	377-0314	377-0314				1	10
L94-99	377-0314	377-0314	377-0314	377-0314				1	10
L6-13, 15-22			377-0314	377-0314				1	10
L1	377-0303	377-0303	377-0303	377-0303	1	9			
L2	377-0334	377-0334	377-0334	377-0334	1	9			
L3	377-0304	377-0304	377-0304	377-0304	1	9			
L4	377-0335	377-0335	377-0335	377-0335	1	9			
L5	377-0333	377-0333	377-0333	377-0333	1	9			
L6	377-0264	377-0264	377-0264	377-0264	1	9			
L68	377-0296	377-0296	377-0296	377-0296	1	9			
L63	377-0285	377-0285	377-0285	377-0285	1	9			
L64	377-0297	377-0297	377-0297	377-0297	1	9			
L65	377-0295	377-0295	377-0295	377-0295	1	9			
L66	377-0241	377-0241	377-0241	377-0241	1	9			
L67	NOT LOADED	NOT LOADED	NOT LOADED	NOT LOADED					
L69	377-0242	377-0242	377-0242	377-0242	1	9			
L70	377-0243	377-0243	377-0243	377-0243	1	9			
L89	377-0234	377-0234	377-0234	377-0234	1	9			
L90	377-0331	377-0331	377-0331	377-0331	1	9			
L91	377-0237	377-0237	377-0237	377-0237	1	9			
L92	377-0332	377-0332	377-0332	377-0332	1	9			
L93	377-0330	377-0330	377-0330	377-0330	1	9			
L104	377-0298	377-0298	377-0298	377-0298	1	9			
L105	377-0328	377-0328	377-0328	377-0328	1	9			
L106	377-0299	377-0299	377-0299	377-0299	1	9			
L107	377-0329	377-0329	377-0329	377-0329	1	9			
L108	377-0327	377-0327	377-0327	377-0327	1	9			
L129	377-0291	377-0291	377-0291	377-0291	1	9			

209-7052 7052 LOADING			209-7052-1 7052-1 LOADING		
COMPONENT	W.L. NO.		COMPONENT	W.L. NO.	
R1-17, 89-104	330-3022		R1-17, 89-104	330-3022	
R18-57, 64-73	330-3048		R18-57, 64-73	330-3048	
R28, 78, 79, 106, 107	330-2022		R28, 78, 79, 106, 107	330-2022	
R60-65, 74, 80	330-3010		R40-65, 74, 80, 116	330-3010	
R75-76	330-2018		R75, 76	330-2018	
R77	330-3018		R77	330-3018	
R85-88, 105, 112-115	330-1011		R81-88, 105, 108-115	330-1011	
C1	300-1047		C1	300-1047	
C2, 7-10	300-1270		C2-10	300-1270	
C3-50, 59-66, 84-90, 109	300-1930		C11-18, 37-38, 43-50, 59-66, 86-90, 109	300-1930	
C71-88, 87-74, 81-83, 103-107, 110	300-1931		C19-24, 35-42, 51-58, 57-74, 91-93, 103-107, 110	300-1931	
C77, 78, 84, 91	300-4019		C75-78, 84, 91	300-4019	
C79, 80, 85, 108	300-4022		C79, 80, 108, 85	300-4022	
C92-103	300-1900		C92-102A	300-1900	
L55 SOCKET	376-9001		L14, L5 SOCKET	376-9001	
L132-136 SOCKET	376-9002		L132-136 SOCKET	376-9002	
Q1, 2	375-1050		Q1-4	375-1050	
XTAL	321-0008		XTAL	321-0008	
I.C. SOCKET (18 PIN)	376-9014		I.C. SOCKET (18 PIN)	376-9014	
I.C. SOCKET (24 PIN)	376-9003		I.C. SOCKET (24 PIN)	376-9003	

7052 E-REV  7052-1 E-REV

WANG PART NO.	ITEM	QTY	NAME	MATERIAL	DESCRIPTION

LABORATORIES INC. MODEL NO. 2200E/F TITLE: MEMORY

DATE: 11/14/64

SCALE: 1:1

SEE VARIATION CHART

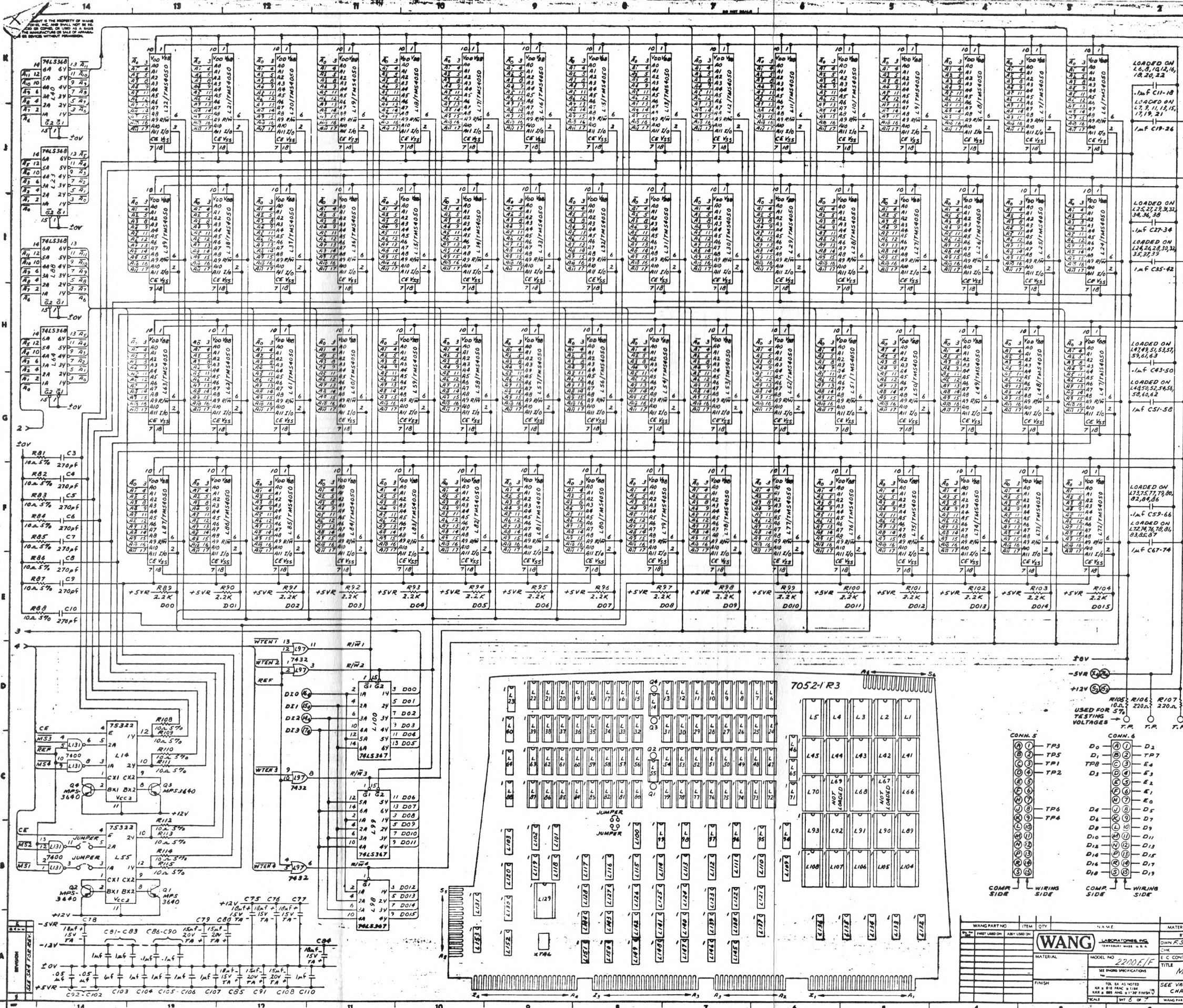
WANG PART NUMBER: 7052

REV: 7









**WANG** LABORATORIES, INC. MODEL NO. 2200E/F

**MEMORY**

DATE APPROVED BY: J. B. S. DATE: 1/20/66

DATE: 1/20/66

DESCRIPTION: MEMORY

ENGINEER: M. E. C. CONTROL

DRAWING NUMBER: 7

WANG PART NUMBER: 7052

DATE: 1/20/66

DESCRIPTION: MEMORY

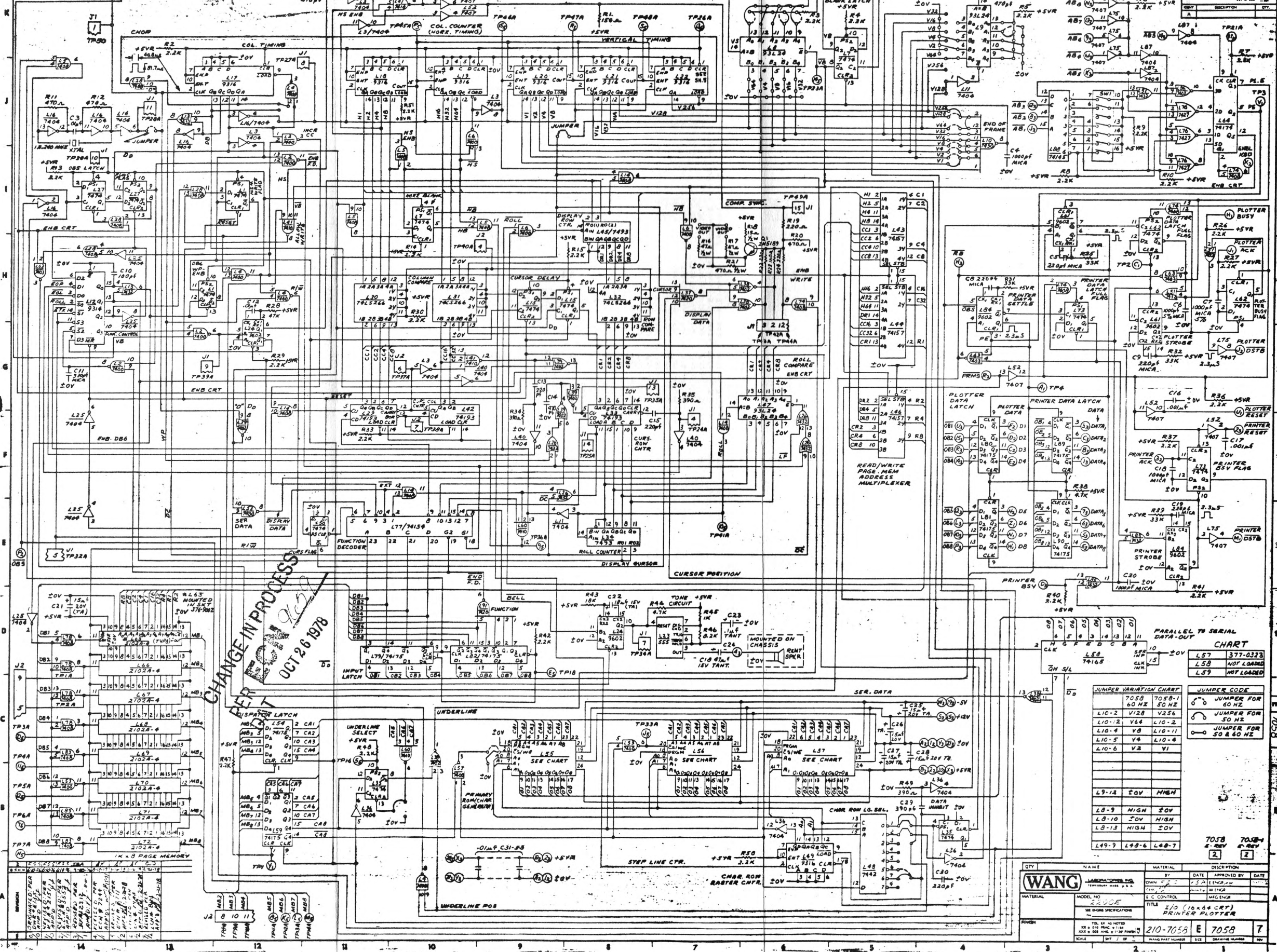
ENGINEER: M. E. C. CONTROL

DRAWING NUMBER: 7





REPRODUCED BY THE PROPERTY OF WANG  
 LABORATORIES INC. SHALL NOT BE  
 REPRODUCED OR COPIED IN ANY FORM  
 OR BY ANY MEANS WITHOUT PERMISSION  
 FROM WANG LABORATORIES INC.



CHANGE IN PROCESS  
 PER EOM 9632  
 OCT 26 1978

**HOLE LEGEND**

NUMBER	SIZE	TYPE	DESCRIPTION	QTY
1	1/8"	Ø	Ø 1/8"	1
2	1/8"	Ø	Ø 1/8"	1
3	1/8"	Ø	Ø 1/8"	1
4	1/8"	Ø	Ø 1/8"	1
5	1/8"	Ø	Ø 1/8"	1
6	1/8"	Ø	Ø 1/8"	1
7	1/8"	Ø	Ø 1/8"	1
8	1/8"	Ø	Ø 1/8"	1
9	1/8"	Ø	Ø 1/8"	1
10	1/8"	Ø	Ø 1/8"	1
11	1/8"	Ø	Ø 1/8"	1
12	1/8"	Ø	Ø 1/8"	1
13	1/8"	Ø	Ø 1/8"	1
14	1/8"	Ø	Ø 1/8"	1
15	1/8"	Ø	Ø 1/8"	1
16	1/8"	Ø	Ø 1/8"	1
17	1/8"	Ø	Ø 1/8"	1
18	1/8"	Ø	Ø 1/8"	1
19	1/8"	Ø	Ø 1/8"	1
20	1/8"	Ø	Ø 1/8"	1
21	1/8"	Ø	Ø 1/8"	1
22	1/8"	Ø	Ø 1/8"	1
23	1/8"	Ø	Ø 1/8"	1
24	1/8"	Ø	Ø 1/8"	1
25	1/8"	Ø	Ø 1/8"	1
26	1/8"	Ø	Ø 1/8"	1
27	1/8"	Ø	Ø 1/8"	1
28	1/8"	Ø	Ø 1/8"	1
29	1/8"	Ø	Ø 1/8"	1
30	1/8"	Ø	Ø 1/8"	1
31	1/8"	Ø	Ø 1/8"	1
32	1/8"	Ø	Ø 1/8"	1
33	1/8"	Ø	Ø 1/8"	1
34	1/8"	Ø	Ø 1/8"	1
35	1/8"	Ø	Ø 1/8"	1
36	1/8"	Ø	Ø 1/8"	1
37	1/8"	Ø	Ø 1/8"	1
38	1/8"	Ø	Ø 1/8"	1
39	1/8"	Ø	Ø 1/8"	1
40	1/8"	Ø	Ø 1/8"	1

**PARALLEL TO SERIAL DATA-OUT CHART**

CLK	G	F	E	D	C	B	A
1	2	3	4	5	6	7	8
9	10	11	12	13	14	15	16

L57 377-0323  
 L58 NOT LOADED  
 L59 NOT LOADED

**JUMPER VARIATION CHART**

JUMPER	VARIABLE	SETTING
L10-2	V128	V256
L10-4	V64	L10-2
L10-5	V4	L10-11
L10-6	V2	V1
L9-12	10V	HIGH
L8-9	HIGH	10V
L8-10	10V	HIGH
L8-13	HIGH	10V
L49-9	L48-6	L48-7

7058 7058-1  
 60 HZ 50 HZ  
 JUMPER FOR 60 HZ  
 7058 7058-1  
 50 HZ 60 HZ  
 JUMPER FOR 50 HZ  
 7058 7058-1  
 50 HZ 60 HZ  
 JUMPER FOR 50 & 60 HZ

**WANG LABORATORIES**

MODEL NO.	TITLE	DATE	APPROVED BY	DATE
210-7058	7058 (16x64 CRT) PRINTER PLOTTER			

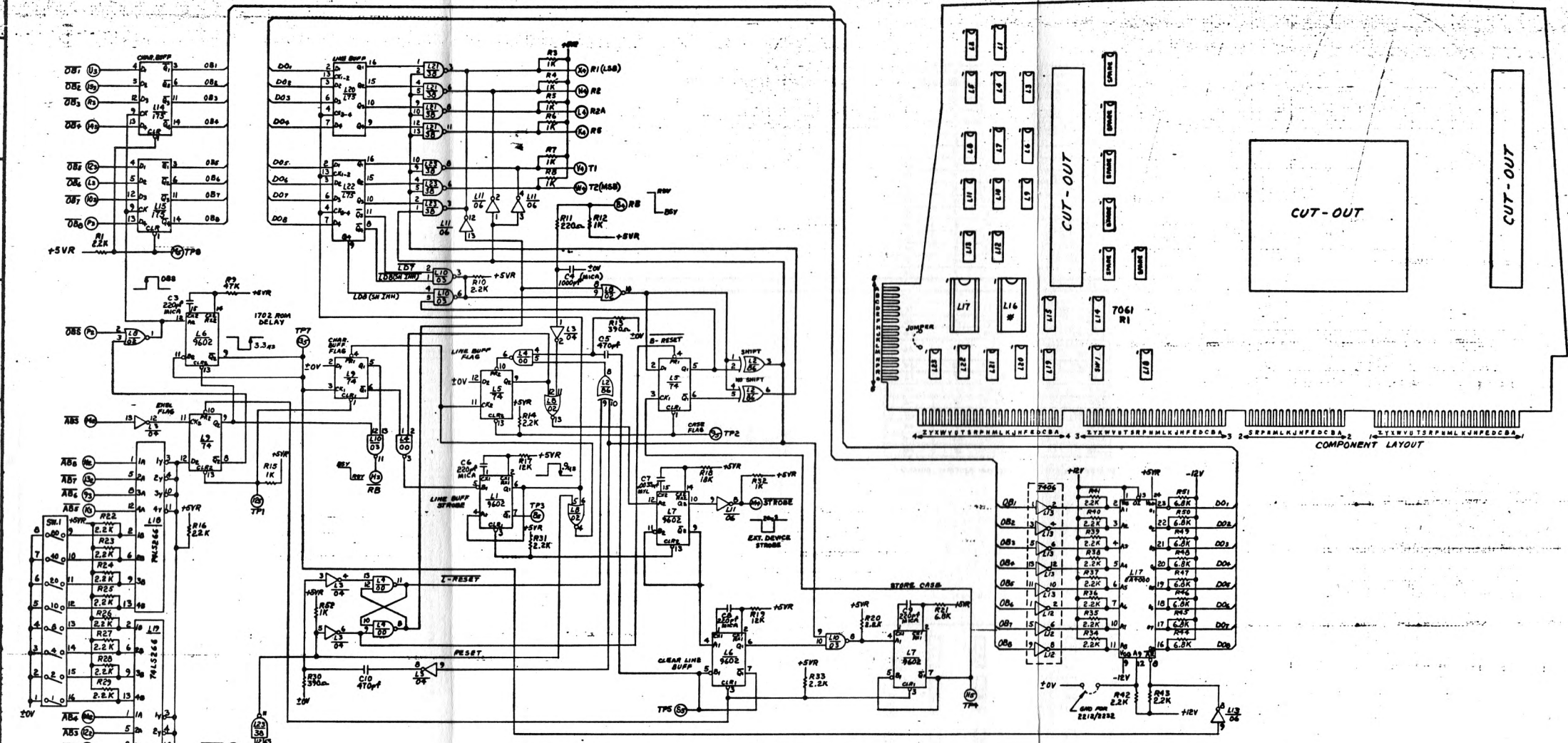
MODEL NO. 210-7058  
 TITLE 7058 (16x64 CRT) PRINTER PLOTTER  
 DATE 10/26/78  
 APPROVED BY [Signature]  
 DATE 10/26/78





NOTE: THE PROPERTY OF WANG  
 MODEL NO. 2200E/F  
 THE MANUFACTURE OF THIS  
 IN ACCORDANCE WITH THE  
 IN FORCE WITHOUT CHANGE.

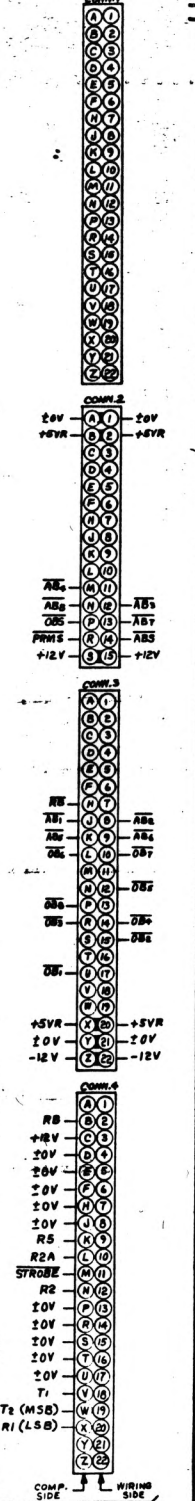
REV.	DESCRIPTION	DATE
1	ISSUED FOR FABRICATION	5/11/66
2	REVISED	5/11/66
3	REVISED	5/11/66



LOCATION	W.L. PART NO.	TERM. NO. 10V	TERM. NO. Vcc+5V
L1, 6, 7	376-0104	8	16
L2	376-0036	7	14
L3	376-0010	7	14
L4	376-0002	7	14
L5, 9	376-0006	7	14
L6	376-0016	7	14
L10	376-0028	7	14
L11, 12, 13	376-0055	7	14
L14, 15	376-0119	8	16
L17 SMT	376-9003		
L17	377-0156		24
L18, 19	376-0148	7	14
L20, 22	376-0151	12	5
L21, 23	376-0128	7	14
L16	DO NOT LOAD		

LOCATION	TYPE	SPRES
L1	9602	1
L2	7486	1
L17	7406	2
L12	7406	3
L3	7404	1

COMPONENT	W.L. PART NO.
R1, 4, 31, 33-43, 16, 16, 20, 22-23	330-3022
R3-8, 13, 15, 35, 52	330-3010
R9	330-4047
R11	330-2022
R13, 30	330-2039
R17, 19	330-4012
R18, 33	330-4018
R21, 44-51	330-3068
C3, 6, 8, 9	300-5004
C4	300-5006
C5, 10	300-1470
C11-19	300-1900
C2, 20, 21, 23	300-4022
SW.1	325-1503
SW.1 CAP	325-9047
C7	300-2033
D1	380-1001
C22	300-3009



SIGNAL-TERMINAL DESIGNATIONS, VIEW FROM BOTTOM (WIRING SIDE) OF C

1. ALL I.C. CHIPS ARE 7400 SERIES UNLESS OTHERWISE NOTED.

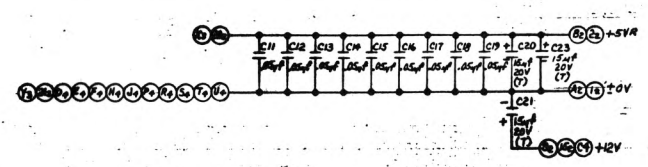
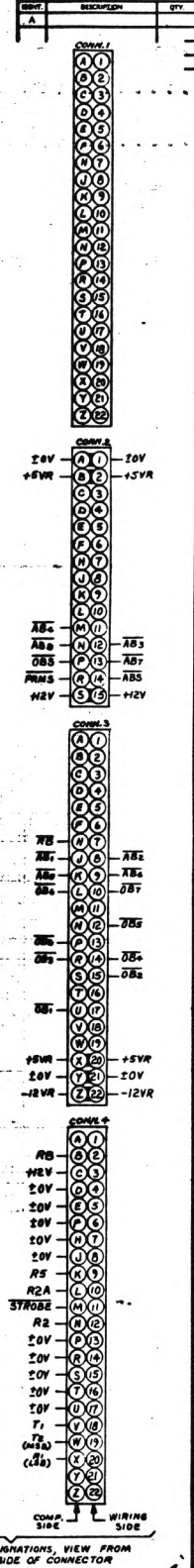
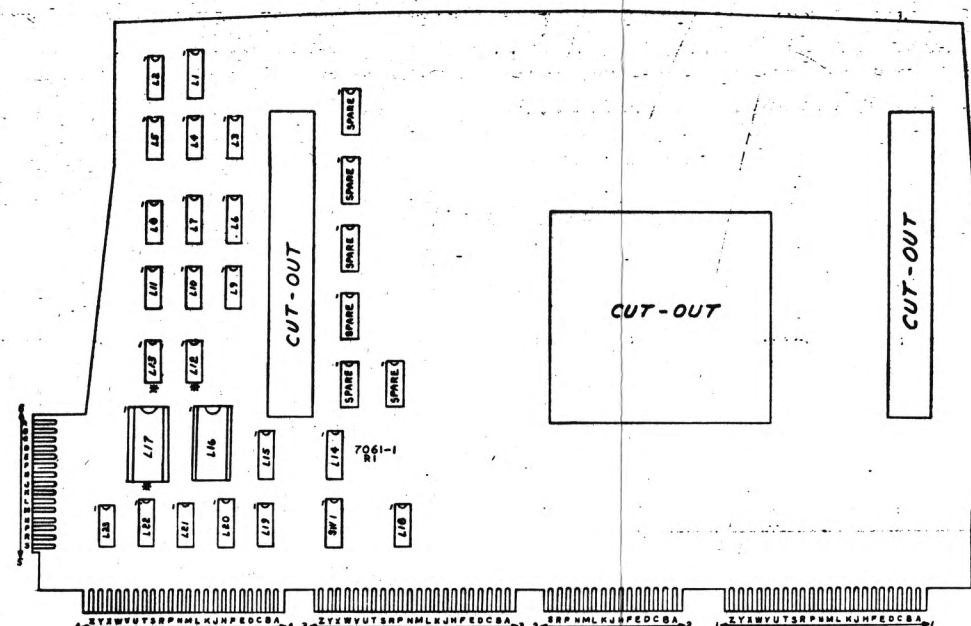
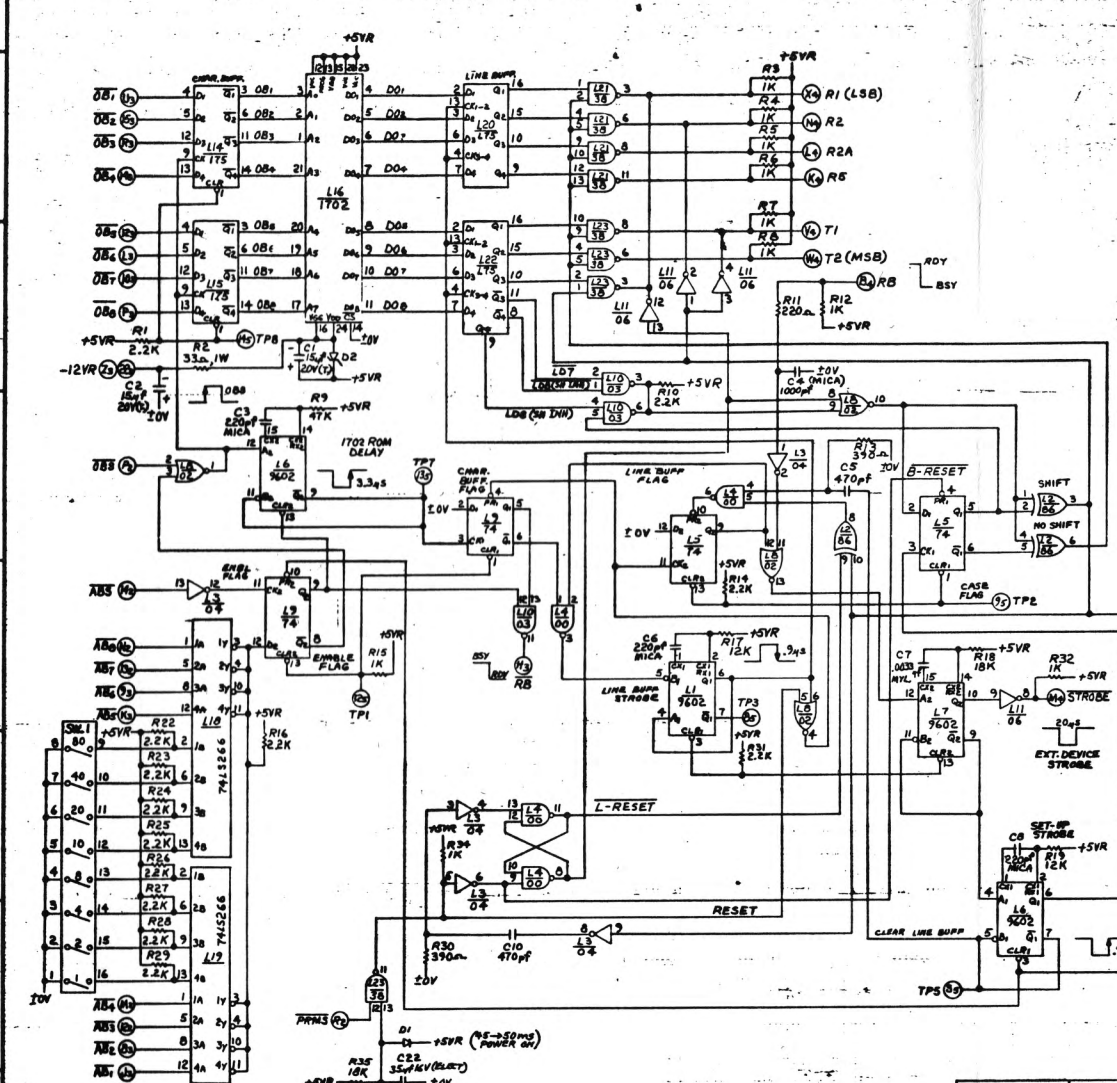
REV.	DESCRIPTION	DATE
1	ISSUED FOR FABRICATION	5/11/66
2	REVISED	5/11/66
3	REVISED	5/11/66

WANG PART NO.	ITEM	QTY	NAME	MATERIAL	DESCRIPTION
2200E/F	1	1	SCHEMATIC LOGIC BLOCK DOUBLE BUFFERED TYPEWRITER PLOTTER INPUT		



THIS DOCUMENT IS THE PROPERTY OF WANG LABORATORIES, INC. AND SHALL NOT BE REPRODUCED OR COPIED IN ANY MANNER FOR THE MANUFACTURE OR SALE OF APPARATUS OR SERVICE WITHOUT PERMISSION.

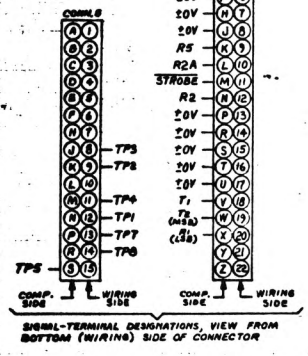
HOLE NO.	HOLE DIA.	TOL.
1-12	.125	±.005
13-20	.125	±.005
21-28	.125	±.005
29-36	.125	±.005



LOCATION	W. L. PART NO.	QTY.	REMARKS
L1, 6, 7	376-0104	8	16
L2	376-0034	7	14
L3	376-0010	7	14
L4	376-0002	7	14
L5, 9	376-0004	7	14
L8	376-0014	7	14
L10	376-0028	7	14
L11	376-0055	7	14
L14, 15	376-0119	8	16
L16 SKT	376-9003		
L18, 19	376-0148	7	14
L20, 22	376-0151	12	5
L21, 23	376-0128	7	14
L16	377-0009		
* L12, 13, 17 NOT LOADED			

COMPONENT	W. L. PART NO.
R1, 11, 12, 15, 32, 34	330-3022
R2	332-1033
R3-8, 12, 15, 32, 34	330-3010
R9	330-4047
R11	330-2022
R13, 30	330-2039
R17, 19	330-4012
R18, 35	330-4016
R21	330-3066
SW 1	325-1503
SW 1 CAP	325-9047
D2	380-2091
C1, 2, 20, 21, 23	300-4022
C3, 6, 9	300-5004
C4	300-3006
C5, 10	300-1476
C7, 19	300-1900
C7	300-2033
C22	300-3009
D1	380-1001

LOCATION	TYPE	SPARES
L1	9402	1
L2	7486	1
L11	7406	2
L3	7404	1



TERMINAL DESIGNATIONS, VIEW FROM BOTTOM (WIRING) SIDE OF CONNECTOR

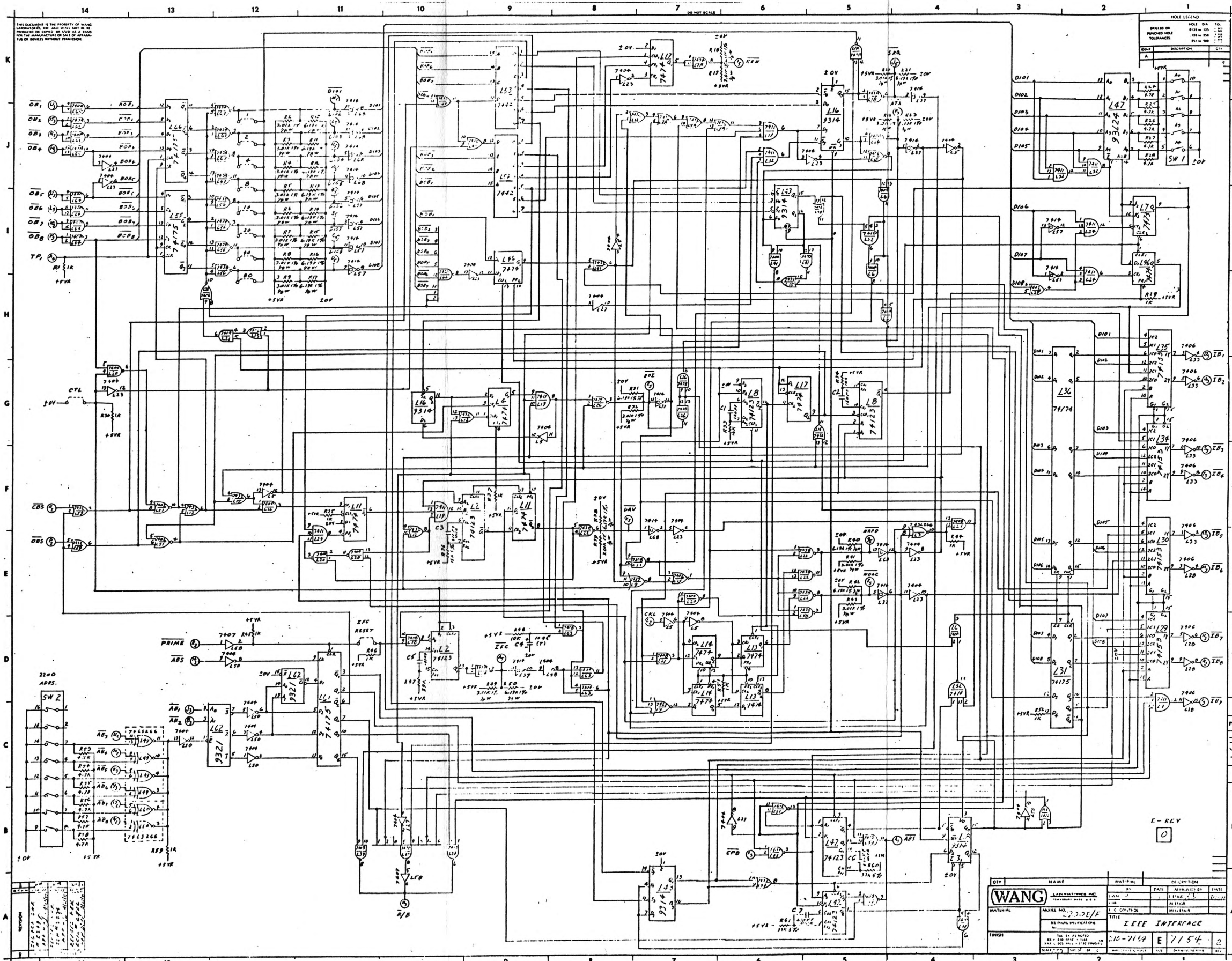
WANG PART NO.	ITEM	QTY.	NAME	MATERIAL	DESCRIPTION	DATE	APPROVED BY	DATE
210-7061	E	1	SCHEMATIC LOGIBLOC DOUBLE BUFFERED TYPEWRITER/ PLOTTER OUTPUT					

WANG PART NO.	ITEM	QTY.	NAME	MATERIAL	DESCRIPTION	DATE	APPROVED BY	DATE
210-7061	E	1	SCHEMATIC LOGIBLOC DOUBLE BUFFERED TYPEWRITER/ PLOTTER OUTPUT					









THIS DOCUMENT IS THE PROPERTY OF WANG LABORATORIES, INC. AND SHALL NOT BE REPRODUCED OR COPIED IN WHOLE OR IN PART FOR THE MANUFACTURE OF ANY INSTRUMENT OR DEVICE WITHOUT PERMISSION.

HOLE LEGEND	
DRILLED OR PUNCHED HOLE	SIZE
1/16"	0.0625"
1/8"	0.125"
3/16"	0.1875"
1/4"	0.25"
5/16"	0.3125"
3/8"	0.375"
1/2"	0.5"
5/8"	0.625"
3/4"	0.75"
7/8"	0.875"
1"	1.0"

DATE	NAME	MATERIAL	DESCRIPTION
11/11/54	WANG	7400	IEEE INTERFACE
11/11/54	WANG	7401	IEEE INTERFACE
11/11/54	WANG	7402	IEEE INTERFACE
11/11/54	WANG	7404	IEEE INTERFACE
11/11/54	WANG	7406	IEEE INTERFACE
11/11/54	WANG	7410	IEEE INTERFACE
11/11/54	WANG	7411	IEEE INTERFACE
11/11/54	WANG	7412	IEEE INTERFACE
11/11/54	WANG	7413	IEEE INTERFACE
11/11/54	WANG	7414	IEEE INTERFACE
11/11/54	WANG	7415	IEEE INTERFACE
11/11/54	WANG	7416	IEEE INTERFACE
11/11/54	WANG	7417	IEEE INTERFACE
11/11/54	WANG	7418	IEEE INTERFACE
11/11/54	WANG	7419	IEEE INTERFACE
11/11/54	WANG	7420	IEEE INTERFACE
11/11/54	WANG	7421	IEEE INTERFACE
11/11/54	WANG	7422	IEEE INTERFACE
11/11/54	WANG	7423	IEEE INTERFACE
11/11/54	WANG	7424	IEEE INTERFACE
11/11/54	WANG	7425	IEEE INTERFACE
11/11/54	WANG	7426	IEEE INTERFACE
11/11/54	WANG	7427	IEEE INTERFACE
11/11/54	WANG	7428	IEEE INTERFACE
11/11/54	WANG	7429	IEEE INTERFACE
11/11/54	WANG	7430	IEEE INTERFACE
11/11/54	WANG	7431	IEEE INTERFACE
11/11/54	WANG	7432	IEEE INTERFACE
11/11/54	WANG	7433	IEEE INTERFACE
11/11/54	WANG	7434	IEEE INTERFACE
11/11/54	WANG	7435	IEEE INTERFACE
11/11/54	WANG	7436	IEEE INTERFACE
11/11/54	WANG	7437	IEEE INTERFACE
11/11/54	WANG	7438	IEEE INTERFACE
11/11/54	WANG	7439	IEEE INTERFACE
11/11/54	WANG	7440	IEEE INTERFACE
11/11/54	WANG	7441	IEEE INTERFACE
11/11/54	WANG	7442	IEEE INTERFACE
11/11/54	WANG	7443	IEEE INTERFACE
11/11/54	WANG	7444	IEEE INTERFACE
11/11/54	WANG	7445	IEEE INTERFACE
11/11/54	WANG	7446	IEEE INTERFACE
11/11/54	WANG	7447	IEEE INTERFACE
11/11/54	WANG	7448	IEEE INTERFACE
11/11/54	WANG	7449	IEEE INTERFACE
11/11/54	WANG	7450	IEEE INTERFACE
11/11/54	WANG	7451	IEEE INTERFACE
11/11/54	WANG	7452	IEEE INTERFACE
11/11/54	WANG	7453	IEEE INTERFACE
11/11/54	WANG	7454	IEEE INTERFACE
11/11/54	WANG	7455	IEEE INTERFACE
11/11/54	WANG	7456	IEEE INTERFACE
11/11/54	WANG	7457	IEEE INTERFACE
11/11/54	WANG	7458	IEEE INTERFACE
11/11/54	WANG	7459	IEEE INTERFACE
11/11/54	WANG	7460	IEEE INTERFACE
11/11/54	WANG	7461	IEEE INTERFACE
11/11/54	WANG	7462	IEEE INTERFACE
11/11/54	WANG	7463	IEEE INTERFACE
11/11/54	WANG	7464	IEEE INTERFACE
11/11/54	WANG	7465	IEEE INTERFACE
11/11/54	WANG	7466	IEEE INTERFACE
11/11/54	WANG	7467	IEEE INTERFACE
11/11/54	WANG	7468	IEEE INTERFACE
11/11/54	WANG	7469	IEEE INTERFACE
11/11/54	WANG	7470	IEEE INTERFACE
11/11/54	WANG	7471	IEEE INTERFACE
11/11/54	WANG	7472	IEEE INTERFACE
11/11/54	WANG	7473	IEEE INTERFACE
11/11/54	WANG	7474	IEEE INTERFACE
11/11/54	WANG	7475	IEEE INTERFACE
11/11/54	WANG	7476	IEEE INTERFACE
11/11/54	WANG	7477	IEEE INTERFACE
11/11/54	WANG	7478	IEEE INTERFACE
11/11/54	WANG	7479	IEEE INTERFACE
11/11/54	WANG	7480	IEEE INTERFACE
11/11/54	WANG	7481	IEEE INTERFACE
11/11/54	WANG	7482	IEEE INTERFACE
11/11/54	WANG	7483	IEEE INTERFACE
11/11/54	WANG	7484	IEEE INTERFACE
11/11/54	WANG	7485	IEEE INTERFACE
11/11/54	WANG	7486	IEEE INTERFACE
11/11/54	WANG	7487	IEEE INTERFACE
11/11/54	WANG	7488	IEEE INTERFACE
11/11/54	WANG	7489	IEEE INTERFACE
11/11/54	WANG	7490	IEEE INTERFACE
11/11/54	WANG	7491	IEEE INTERFACE
11/11/54	WANG	7492	IEEE INTERFACE
11/11/54	WANG	7493	IEEE INTERFACE
11/11/54	WANG	7494	IEEE INTERFACE
11/11/54	WANG	7495	IEEE INTERFACE
11/11/54	WANG	7496	IEEE INTERFACE
11/11/54	WANG	7497	IEEE INTERFACE
11/11/54	WANG	7498	IEEE INTERFACE
11/11/54	WANG	7499	IEEE INTERFACE
11/11/54	WANG	7500	IEEE INTERFACE





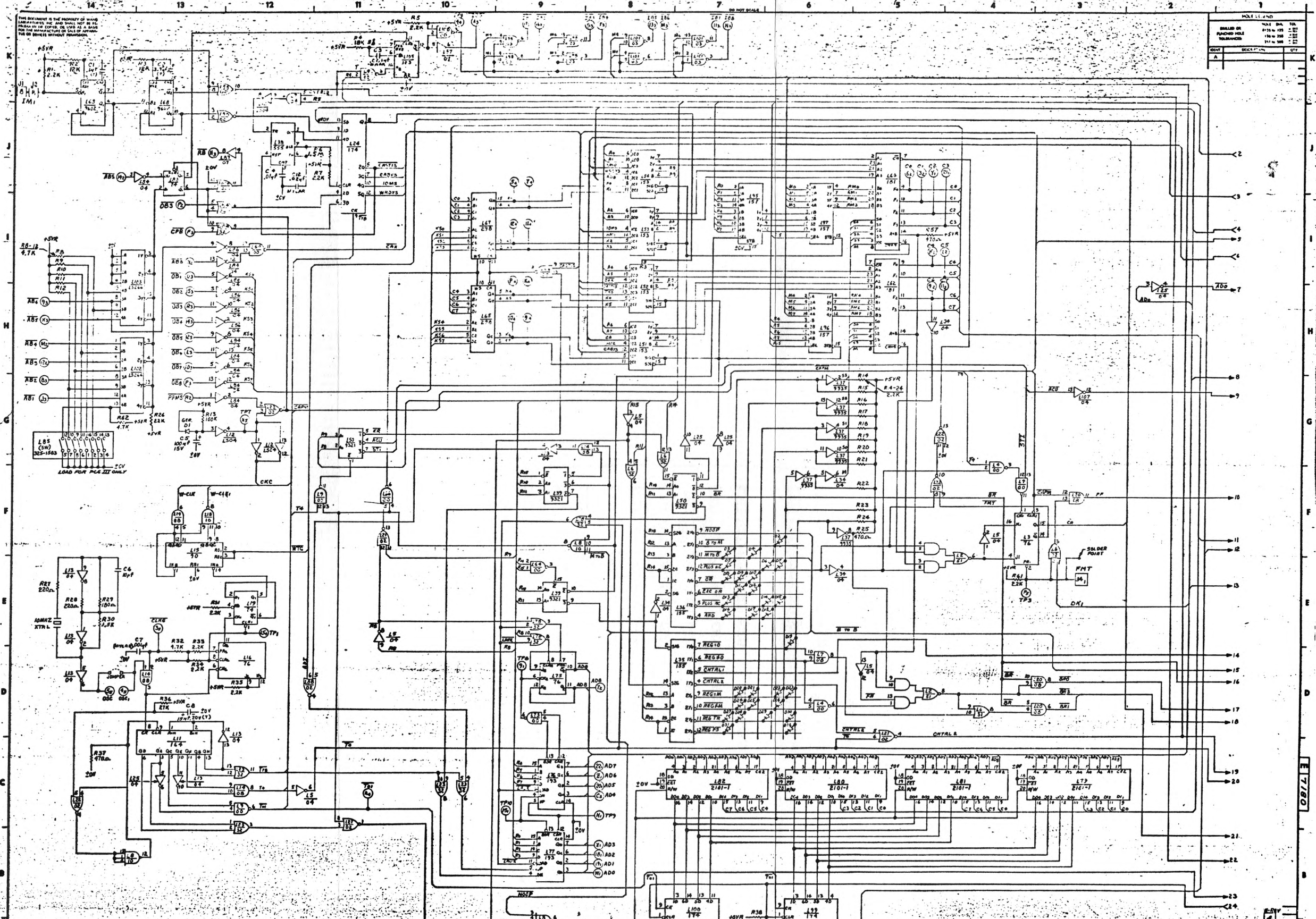












REV	DESCRIPTION	DATE
1	INITIAL	11/11/70
2	REVISION	11/11/70
3	REVISION	11/11/70
4	REVISION	11/11/70

NO.	DESCRIPTION	QTY	UNIT
1	RESISTOR 10K	10	PC
2	RESISTOR 1K	20	PC
3	RESISTOR 5K	10	PC
4	RESISTOR 100K	5	PC
5	RESISTOR 1M	5	PC
6	RESISTOR 2.2K	10	PC
7	RESISTOR 4.7K	10	PC
8	RESISTOR 100Ω	10	PC
9	RESISTOR 200Ω	10	PC
10	RESISTOR 500Ω	10	PC
11	RESISTOR 1K	10	PC
12	RESISTOR 2K	10	PC
13	RESISTOR 5K	10	PC
14	RESISTOR 10K	10	PC
15	RESISTOR 20K	10	PC
16	RESISTOR 50K	10	PC
17	RESISTOR 100K	10	PC
18	RESISTOR 200K	10	PC
19	RESISTOR 500K	10	PC
20	RESISTOR 1M	10	PC
21	RESISTOR 2M	10	PC
22	RESISTOR 5M	10	PC
23	RESISTOR 10M	10	PC
24	RESISTOR 20M	10	PC
25	RESISTOR 50M	10	PC
26	RESISTOR 100M	10	PC
27	RESISTOR 200M	10	PC
28	RESISTOR 500M	10	PC
29	RESISTOR 1000M	10	PC
30	RESISTOR 2000M	10	PC
31	RESISTOR 5000M	10	PC
32	RESISTOR 10000M	10	PC
33	RESISTOR 20000M	10	PC
34	RESISTOR 50000M	10	PC
35	RESISTOR 100000M	10	PC
36	RESISTOR 200000M	10	PC
37	RESISTOR 500000M	10	PC
38	RESISTOR 1000000M	10	PC
39	RESISTOR 2000000M	10	PC
40	RESISTOR 5000000M	10	PC
41	RESISTOR 10000000M	10	PC
42	RESISTOR 20000000M	10	PC
43	RESISTOR 50000000M	10	PC
44	RESISTOR 100000000M	10	PC
45	RESISTOR 200000000M	10	PC
46	RESISTOR 500000000M	10	PC
47	RESISTOR 1000000000M	10	PC
48	RESISTOR 2000000000M	10	PC
49	RESISTOR 5000000000M	10	PC
50	RESISTOR 10000000000M	10	PC
51	RESISTOR 20000000000M	10	PC
52	RESISTOR 50000000000M	10	PC
53	RESISTOR 100000000000M	10	PC
54	RESISTOR 200000000000M	10	PC
55	RESISTOR 500000000000M	10	PC
56	RESISTOR 1000000000000M	10	PC
57	RESISTOR 2000000000000M	10	PC
58	RESISTOR 5000000000000M	10	PC
59	RESISTOR 10000000000000M	10	PC
60	RESISTOR 20000000000000M	10	PC
61	RESISTOR 50000000000000M	10	PC
62	RESISTOR 100000000000000M	10	PC
63	RESISTOR 200000000000000M	10	PC
64	RESISTOR 500000000000000M	10	PC
65	RESISTOR 1000000000000000M	10	PC
66	RESISTOR 2000000000000000M	10	PC
67	RESISTOR 5000000000000000M	10	PC
68	RESISTOR 10000000000000000M	10	PC
69	RESISTOR 20000000000000000M	10	PC
70	RESISTOR 50000000000000000M	10	PC
71	RESISTOR 100000000000000000M	10	PC
72	RESISTOR 200000000000000000M	10	PC
73	RESISTOR 500000000000000000M	10	PC
74	RESISTOR 1000000000000000000M	10	PC
75	RESISTOR 2000000000000000000M	10	PC
76	RESISTOR 5000000000000000000M	10	PC
77	RESISTOR 10000000000000000000M	10	PC
78	RESISTOR 20000000000000000000M	10	PC
79	RESISTOR 50000000000000000000M	10	PC
80	RESISTOR 100000000000000000000M	10	PC
81	RESISTOR 200000000000000000000M	10	PC
82	RESISTOR 500000000000000000000M	10	PC
83	RESISTOR 1000000000000000000000M	10	PC
84	RESISTOR 2000000000000000000000M	10	PC
85	RESISTOR 5000000000000000000000M	10	PC
86	RESISTOR 10000000000000000000000M	10	PC
87	RESISTOR 20000000000000000000000M	10	PC
88	RESISTOR 50000000000000000000000M	10	PC
89	RESISTOR 100000000000000000000000M	10	PC
90	RESISTOR 200000000000000000000000M	10	PC
91	RESISTOR 500000000000000000000000M	10	PC
92	RESISTOR 1000000000000000000000000M	10	PC
93	RESISTOR 2000000000000000000000000M	10	PC
94	RESISTOR 5000000000000000000000000M	10	PC
95	RESISTOR 10000000000000000000000000M	10	PC
96	RESISTOR 20000000000000000000000000M	10	PC
97	RESISTOR 50000000000000000000000000M	10	PC
98	RESISTOR 100000000000000000000000000M	10	PC
99	RESISTOR 200000000000000000000000000M	10	PC
100	RESISTOR 500000000000000000000000000M	10	PC

WANG PART NO.	ITEM	QTY	NAME	MATERIAL	CLASS. FROM
74180	IC	1	HEX INVERTER	74180	
74181	IC	1	ARITHMETIC LOGIC UNIT	74181	
74182	IC	1	PRIORITY ENCODER	74182	
74183	IC	1	FULL ADDER	74183	
74184	IC	1	BCD TO BINARY CONVERTER	74184	
74185	IC	1	BINARY TO BCD CONVERTER	74185	
74186	IC	1	COMPARATOR	74186	
74187	IC	1	PRIORITY DECODER	74187	
74188	IC	1	DECODER	74188	
74189	IC	1	DECODER	74189	
74190	IC	1	DECADE COUNTER	74190	
74191	IC	1	DECADE COUNTER	74191	
74192	IC	1	DECADE COUNTER	74192	
74193	IC	1	DECADE COUNTER	74193	
74194	IC	1	DECADE COUNTER	74194	
74195	IC	1	DECADE COUNTER	74195	
74196	IC	1	DECADE COUNTER	74196	
74197	IC	1	DECADE COUNTER	74197	
74198	IC	1	DECADE COUNTER	74198	
74199	IC	1	DECADE COUNTER	74199	
74200	IC	1	DECADE COUNTER	74200	
74201	IC	1	DECADE COUNTER	74201	
74202	IC	1	DECADE COUNTER	74202	
74203	IC	1	DECADE COUNTER	74203	
74204	IC	1	DECADE COUNTER	74204	
74205	IC	1	DECADE COUNTER	74205	
74206	IC	1	DECADE COUNTER	74206	
74207	IC	1	DECADE COUNTER	74207	
74208	IC	1	DECADE COUNTER	74208	
74209	IC	1	DECADE COUNTER	74209	
74210	IC	1	DECADE COUNTER	74210	
74211	IC	1	DECADE COUNTER	74211	
74212	IC	1	DECADE COUNTER	74212	
74213	IC	1	DECADE COUNTER	74213	
74214	IC	1	DECADE COUNTER	74214	
74215	IC	1	DECADE COUNTER	74215	
74216	IC	1	DECADE COUNTER	74216	
74217	IC	1	DECADE COUNTER	74217	
74218	IC	1	DECADE COUNTER	74218	
74219	IC	1	DECADE COUNTER	74219	
74220	IC	1	DECADE COUNTER	74220	
74221	IC	1	DECADE COUNTER	74221	
74222	IC	1	DECADE COUNTER	74222	
74223	IC	1	DECADE COUNTER	74223	
74224	IC	1	DECADE COUNTER	74224	
74225	IC	1	DECADE COUNTER	74225	
74226	IC	1	DECADE COUNTER	74226	
74227	IC	1	DECADE COUNTER	74227	
74228	IC	1	DECADE COUNTER	74228	
74229	IC	1	DECADE COUNTER	74229	
74230	IC	1	DECADE COUNTER	74230	
74231	IC	1	DECADE COUNTER	74231	
74232	IC	1	DECADE COUNTER	74232	
74233	IC	1	DECADE COUNTER	74233	
74234	IC	1	DECADE COUNTER	74234	
74235	IC	1	DECADE COUNTER	74235	
74236	IC	1	DECADE COUNTER	74236	
74237	IC	1	DECADE COUNTER	74237	
74238	IC	1	DECADE COUNTER	74238	
74239	IC	1	DECADE COUNTER	74239	
74240	IC	1	DECADE COUNTER	74240	
74241	IC	1	DECADE COUNTER	74241	
74242	IC	1	DECADE COUNTER	74242	
74243	IC	1	DECADE COUNTER	74243	
74244	IC	1	DECADE COUNTER	74244	
74245	IC	1	DECADE COUNTER	74245	
74246	IC	1	DECADE COUNTER	74246	
74247	IC	1	DECADE COUNTER	74247	
74248	IC	1	DECADE COUNTER	74248	
74249	IC	1	DECADE COUNTER	74249	
74250	IC	1	DECADE COUNTER	74250	
74251	IC	1	DECADE COUNTER	74251	
74252	IC	1	DECADE COUNTER	74252	
74253	IC	1	DECADE COUNTER	74253	
74254	IC	1	DECADE COUNTER	74254	
74255	IC	1	DECADE COUNTER	74255	
74256	IC	1	DECADE COUNTER	74256	
74257	IC	1	DECADE COUNTER	74257	
74258	IC	1	DECADE COUNTER	74258	
74259	IC	1	DECADE COUNTER	74259	
74260	IC	1	DECADE COUNTER	74260	
74261	IC	1	DECADE COUNTER	74261	
74262	IC	1	DECADE COUNTER	74262	
74263	IC	1	DECADE COUNTER	74263	
74264	IC	1	DECADE COUNTER	74264	
74265	IC	1	DECADE COUNTER	74265	
74266	IC	1	DECADE COUNTER	74266	
74267	IC	1	DECADE COUNTER	74267	
74268	IC	1	DECADE COUNTER		

THIS DOCUMENT IS THE PROPERTY OF WANG LABORATORIES, INC. IT IS TO BE RETURNED TO THE MANUFACTURER OR TO THE COMPANY FROM WHICH IT WAS PURCHASED. IT IS NOT TO BE REPRODUCED OR COPIED, OR USED AS A BASIS FOR THE MANUFACTURE OR SALE OF APPARATUS OR DEVICES WITHOUT PERMISSION.

CONN. 350-2070



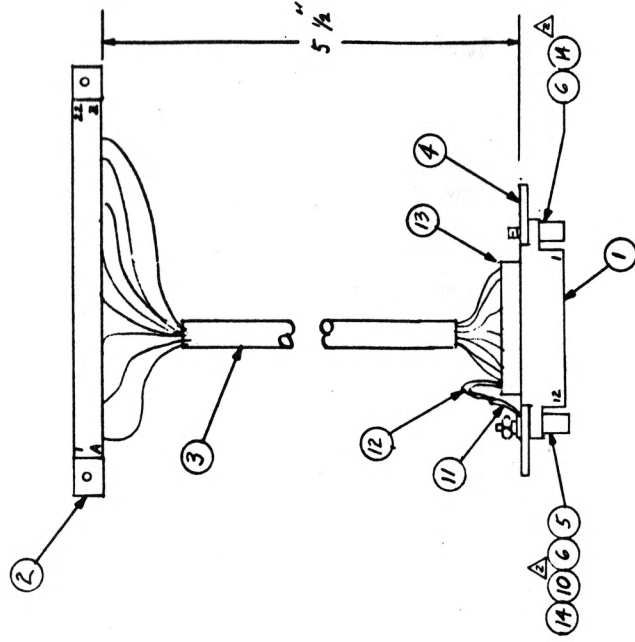
WIRING VIEW

CONN. 350-0040



WIRING VIEW

NOTE:  
1. TOL 1/16"  
2. CUT OFF DRAIN WIRE.



SIGNAL	CONN. 24 PIN	WIRE NO	CONN. 44 PIN
R1 (LSB)	1	1	X
R2	2	2	M
R2A	3	3	L
R5	4	4	K
T1	5	5	V
T2 (MSB)	6	6	W
STROBE	7	7	M
RB	8	8	B
-	9	9	-
-	10	10	-
30V	11	11	D
FLY	12	12	C

SIGNAL	CONN. 24 PIN	WIRE NO.	CONN. 44 PIN
I0V	13	13	F
I0V	14	14	F
I0V	15	15	H
I0V	16	16	J
I0V	17	17	P
I0V	18	18	R
I0V	19	19	S
I0V	20	20	T
CH. CHL	23	23	23
I0V	24	24	U

ITEM	QTY	NAME	DESCRIPTION
14	2	STANDOFF M/F	B&B 15-56
13	2	STRAIN RELIEF	
12	16	WIRE	63-37 ALLOY
11	1	GROUND LUG	#26 GAUGE BLACK
10	1	HEX NUT	#3-98
9	2		
8	2		
7	2	FLAT WASHER	#4
6	2		
4	1	BRKT, 24 PIN CONNECTOR	B6P2P-12P
3	1.00	CABLE 24 CONDUCTOR	#26 GAUGE
2	1	EDGE CONNECTOR 24 POS	
1	1	CONNECTOR FEMALE 24 POS	

WANG PART NO	ITEM	QTY	NAME	DESCRIPTION
350-0040	1	1	CONNECTOR FEMALE 24 POS	
350-2070	1	1	CONNECTOR FEMALE 24 POS	
350-0040	2	1	EDGE CONNECTOR 24 POS	
920-0053	3	1.00	CABLE 24 CONDUCTOR	
451-4420	4	1	BRKT, 24 PIN CONNECTOR	
653-2000	6	2	FLAT WASHER	
654-1004	11	1	GROUND LUG	
600-3000	12	16	WIRE	
660-0203	13	2	STRAIN RELIEF	
350-4232	14	2	STANDOFF M/F	
142-0291	14	2	STANDOFF M/F	

DATE	APPROVED BY	DATE
7/11/52	E ENGR	
CHK	M ENGR	
E C CONTROL	MFG ENGR	
TITLE		
OPTION 61 I/O CABLE		
WANG PART NUMBER	SIZE	DRAWING NUMBER
220-0195	C	6482-101
SCALE	SMT	OF
REV	REV	REV
1	1	2

WANG PART NO	ITEM	QTY	NAME	DESCRIPTION
350-0040	1	1	CONNECTOR FEMALE 24 POS	
350-2070	1	1	CONNECTOR FEMALE 24 POS	
920-0053	3	1.00	CABLE 24 CONDUCTOR	
451-4420	4	1	BRKT, 24 PIN CONNECTOR	
653-2000	6	2	FLAT WASHER	
654-1004	11	1	GROUND LUG	
600-3000	12	16	WIRE	
660-0203	13	2	STRAIN RELIEF	
142-0291	14	2	STANDOFF M/F	

WANG PART NO	ITEM	QTY	NAME	DESCRIPTION
350-0040	1	1	CONNECTOR FEMALE 24 POS	
350-2070	1	1	CONNECTOR FEMALE 24 POS	
920-0053	3	1.00	CABLE 24 CONDUCTOR	
451-4420	4	1	BRKT, 24 PIN CONNECTOR	
653-2000	6	2	FLAT WASHER	
654-1004	11	1	GROUND LUG	
600-3000	12	16	WIRE	
660-0203	13	2	STRAIN RELIEF	
142-0291	14	2	STANDOFF M/F	

WANG PART NO	ITEM	QTY	NAME	DESCRIPTION
350-0040	1	1	CONNECTOR FEMALE 24 POS	
350-2070	1	1	CONNECTOR FEMALE 24 POS	
920-0053	3	1.00	CABLE 24 CONDUCTOR	
451-4420	4	1	BRKT, 24 PIN CONNECTOR	
653-2000	6	2	FLAT WASHER	
654-1004	11	1	GROUND LUG	
600-3000	12	16	WIRE	
660-0203	13	2	STRAIN RELIEF	
142-0291	14	2	STANDOFF M/F	

WANG PART NO	ITEM	QTY	NAME	DESCRIPTION
350-0040	1	1	CONNECTOR FEMALE 24 POS	
350-2070	1	1	CONNECTOR FEMALE 24 POS	
920-0053	3	1.00	CABLE 24 CONDUCTOR	
451-4420	4	1	BRKT, 24 PIN CONNECTOR	
653-2000	6	2	FLAT WASHER	
654-1004	11	1	GROUND LUG	
600-3000	12	16	WIRE	
660-0203	13	2	STRAIN RELIEF	
142-0291	14	2	STANDOFF M/F	

WANG PART NO	ITEM	QTY	NAME	DESCRIPTION
350-0040	1	1	CONNECTOR FEMALE 24 POS	
350-2070	1	1	CONNECTOR FEMALE 24 POS	
920-0053	3	1.00	CABLE 24 CONDUCTOR	
451-4420	4	1	BRKT, 24 PIN CONNECTOR	
653-2000	6	2	FLAT WASHER	
654-1004	11	1	GROUND LUG	
600-3000	12	16	WIRE	
660-0203	13	2	STRAIN RELIEF	
142-0291	14	2	STANDOFF M/F	

WANG PART NO	ITEM	QTY	NAME	DESCRIPTION
350-0040	1	1	CONNECTOR FEMALE 24 POS	
350-2070	1	1	CONNECTOR FEMALE 24 POS	
920-0053	3	1.00	CABLE 24 CONDUCTOR	
451-4420	4	1	BRKT, 24 PIN CONNECTOR	
653-2000	6	2	FLAT WASHER	
654-1004	11	1	GROUND LUG	
600-3000	12	16	WIRE	
660-0203	13	2	STRAIN RELIEF	
142-0291	14	2	STANDOFF M/F	

WANG PART NO	ITEM	QTY	NAME	DESCRIPTION
350-0040	1	1	CONNECTOR FEMALE 24 POS	
350-2070	1	1	CONNECTOR FEMALE 24 POS	
920-0053	3	1.00	CABLE 24 CONDUCTOR	
451-4420	4	1	BRKT, 24 PIN CONNECTOR	
653-2000	6	2	FLAT WASHER	
654-1004	11	1	GROUND LUG	
600-3000	12	16	WIRE	
660-0203	13	2	STRAIN RELIEF	
142-0291	14	2	STANDOFF M/F	

WANG PART NO	ITEM	QTY	NAME	DESCRIPTION
350-0040	1	1	CONNECTOR FEMALE 24 POS	
350-2070	1	1	CONNECTOR FEMALE 24 POS	
920-0053	3	1.00	CABLE 24 CONDUCTOR	
451-4420	4	1	BRKT, 24 PIN CONNECTOR	
653-2000	6	2	FLAT WASHER	
654-1004	11	1	GROUND LUG	
600-3000	12	16	WIRE	
660-0203	13	2	STRAIN RELIEF	
142-0291	14	2	STANDOFF M/F	

WANG PART NO	ITEM	QTY	NAME	DESCRIPTION
350-0040	1	1	CONNECTOR FEMALE 24 POS	
350-2070	1	1	CONNECTOR FEMALE 24 POS	
920-0053	3	1.00	CABLE 24 CONDUCTOR	
451-4420	4	1	BRKT, 24 PIN CONNECTOR	
653-2000	6	2	FLAT WASHER	
654-1004	11	1	GROUND LUG	
600-3000	12	16	WIRE	
660-0203	13	2	STRAIN RELIEF	
142-0291	14	2	STANDOFF M/F	

WANG PART NO	ITEM	QTY	NAME	DESCRIPTION
350-0040	1	1	CONNECTOR FEMALE 24 POS	
350-2070	1	1	CONNECTOR FEMALE 24 POS	
920-0053	3	1.00	CABLE 24 CONDUCTOR	
451-4420	4	1	BRKT, 24 PIN CONNECTOR	
653-2000	6	2	FLAT WASHER	
654-1004	11	1	GROUND LUG	
600-3000	12	16	WIRE	
660-0203	13	2	STRAIN RELIEF	
142-0291	14	2	STANDOFF M/F	

WANG PART NO	ITEM	QTY	NAME	DESCRIPTION
350-0040	1	1	CONNECTOR FEMALE 24 POS	
350-2070	1	1	CONNECTOR FEMALE 24 POS	
920-0053	3	1.00	CABLE 24 CONDUCTOR	
451-4420	4	1	BRKT, 24 PIN CONNECTOR	
653-2000	6	2	FLAT WASHER	
654-1004	11	1	GROUND LUG	
600-3000	12	16	WIRE	
660-0203	13	2	STRAIN RELIEF	
142-0291	14	2	STANDOFF M/F	

WANG PART NO	ITEM	QTY	NAME	DESCRIPTION
350-0040	1	1	CONNECTOR FEMALE 24 POS	
350-2070	1	1	CONNECTOR FEMALE 24 POS	
920-0053	3	1.00	CABLE 24 CONDUCTOR	
451-4420	4	1	BRKT, 24 PIN CONNECTOR	
653-2000	6	2	FLAT WASHER	
654-1004	11	1	GROUND LUG	
600-3000	12	16	WIRE	
660-0203	13	2	STRAIN RELIEF	
142-0291	14	2	STANDOFF M/F	

WANG PART NO	ITEM	QTY	NAME	DESCRIPTION
350-0040	1	1	CONNECTOR FEMALE 24 POS	
350-2070	1	1	CONNECTOR FEMALE 24 POS	
920-0053	3	1.00	CABLE 24 CONDUCTOR	
451-4420	4	1	BRKT, 24 PIN CONNECTOR	
653-2000	6	2	FLAT WASHER	
654-1004	11	1	GROUND LUG	
600-3000	12	16	WIRE	
660-0203	13	2	STRAIN RELIEF	
142-0291	14	2	STANDOFF M/F	

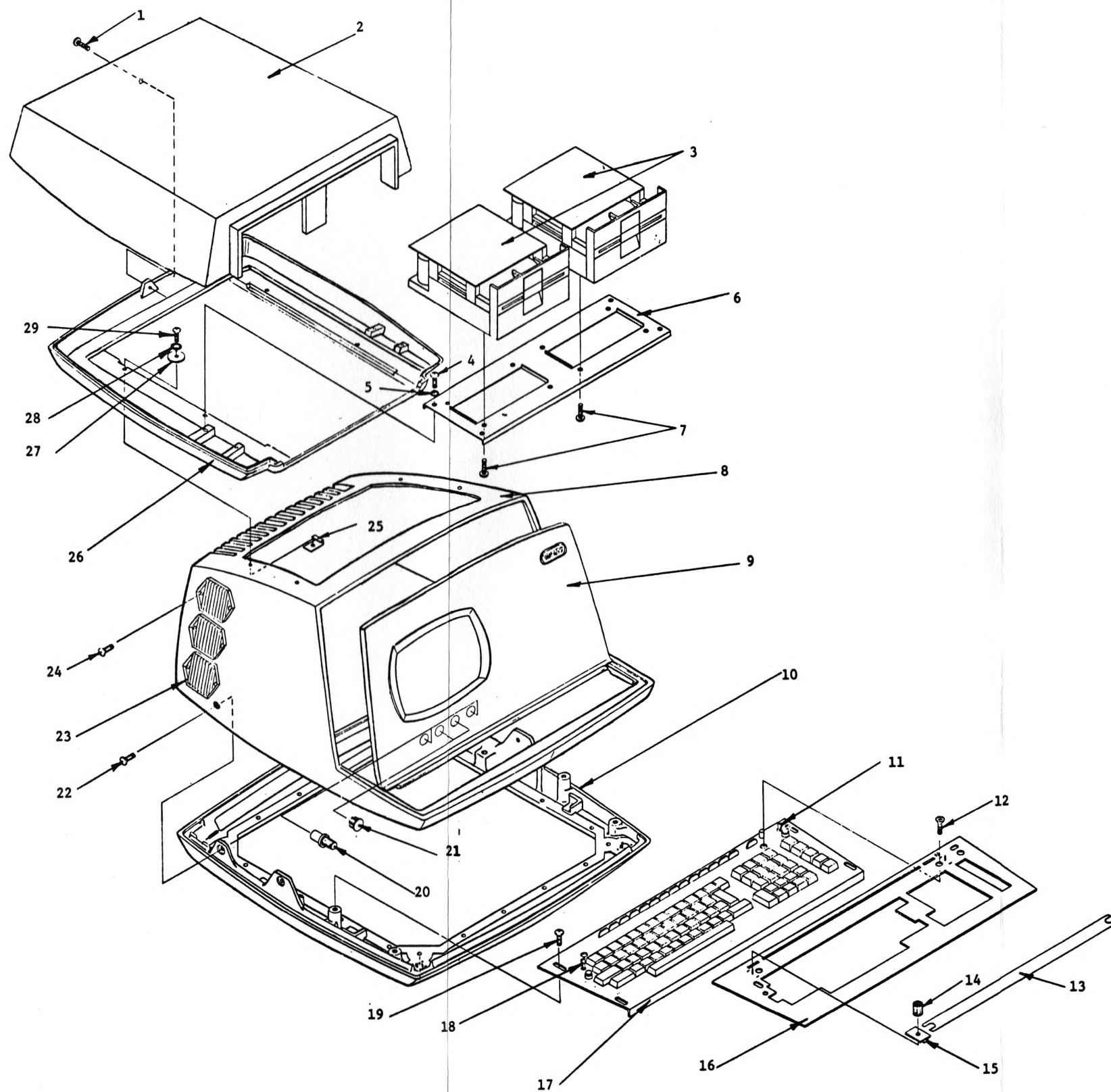
WANG PART NO	ITEM	QTY	NAME	DESCRIPTION
350-0040	1	1	CONNECTOR FEMALE 24 POS	
350-2070	1	1	CONNECTOR FEMALE 24 POS	
920-0053	3	1.00	CABLE 24 CONDUCTOR	
451-4420	4	1	BRKT, 24 PIN CONNECTOR	
653-2000	6	2	FLAT WASHER	
654-1004	11	1	GROUND LUG	
600-3000	12	16	WIRE	
660-0203	13	2	STRAIN RELIEF	
142-0291	14	2	STANDOFF M/F	

WANG PART NO	ITEM	QTY	NAME	DESCRIPTION
350-0040	1	1	CONNECTOR FEMALE 24 POS	
350-2070	1	1	CONNECTOR FEMALE 24 POS	
920-0053	3	1.00	CABLE 24 CONDUCTOR	
451-4420	4	1	BRKT, 24 PIN CONNECTOR	
653-2000	6	2	FLAT WASHER	
654-1004	11	1	GROUND LUG	
600-3000	12	16	WIRE	
660-0203	13	2	STRAIN RELIEF	
142-0291	14	2	STANDOFF M/F	

WANG PART NO	ITEM	QTY	NAME	DESCRIPTION
350-0040	1	1	CONNECTOR FEMALE 24 POS	
350-2070	1	1	CONNECTOR FEMALE 24 POS	
920-0053	3	1.00	CABLE 24 CONDUCTOR	
451-4420	4	1	BRKT, 24 PIN CONNECTOR	
653-2000	6	2	FLAT WASHER	
654-1004	11	1	GROUND LUG	
600-3000	12	16	WIRE	
660-0203	13	2	STRAIN RELIEF	
142-0291	14	2	STANDOFF M/F	

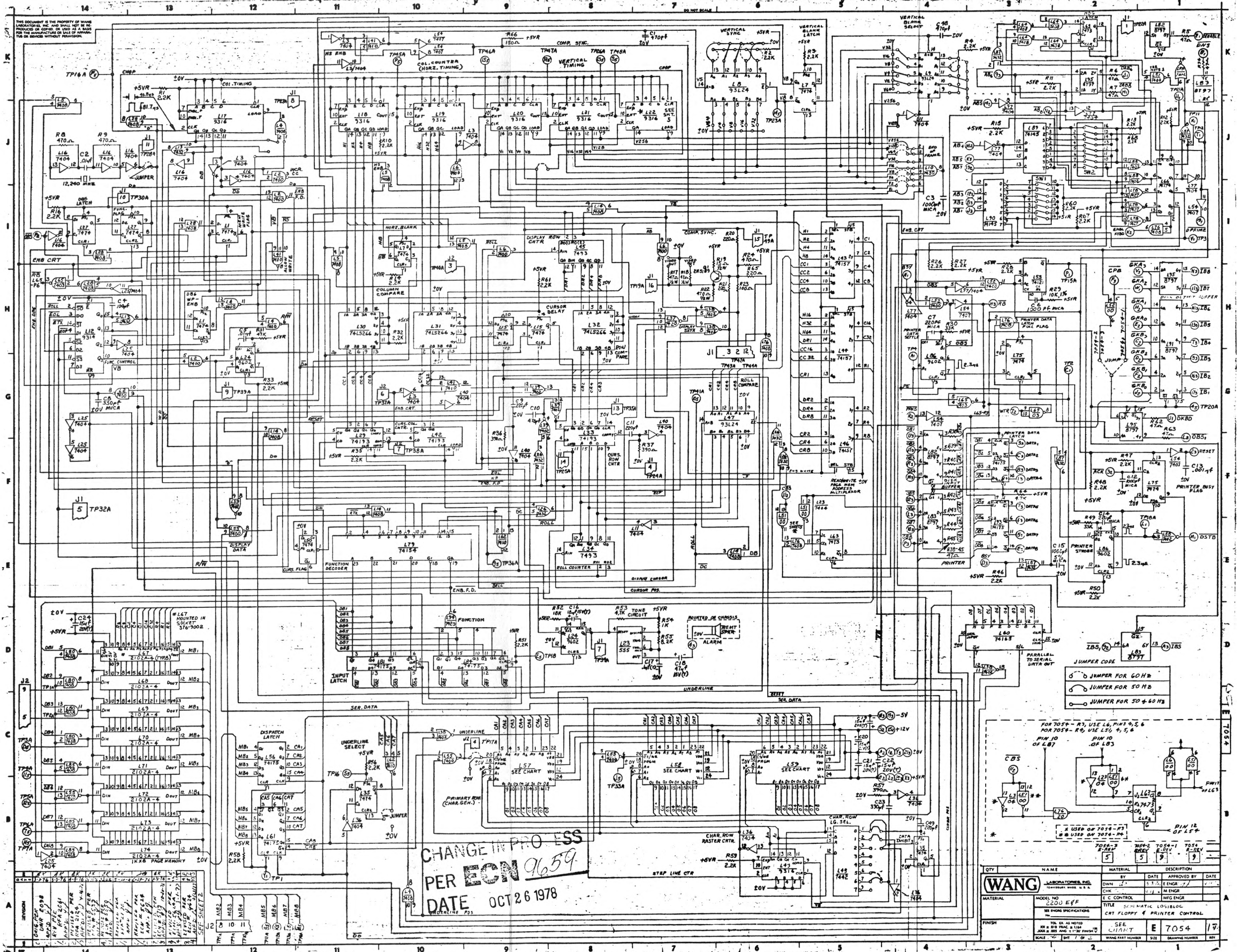
WANG PART NO	ITEM	QTY	NAME	DESCRIPTION
350-0040	1	1	CONNECTOR FEMALE 24 POS	
350-2070	1	1	CONNECTOR FEMALE 24 POS	
920-0053	3	1.00	CABLE 24 CONDUCTOR	
451-4420	4	1	BRKT, 24 PIN CONNECTOR	
653-2000	6	2	FLAT WASHER	
654-1004	11	1	GROUND LUG</	





<u>ITEM</u>	<u>WLI #</u>	<u>DESCRIPTION</u>
1	650-3240	#6-32 x 3/4" Phillips Head Screw
2	449-0159	Mini-floppy cover
3	725-0057	Mini-floppy disk drive
4	650-4123	#8-32 x 3/8" Screw
5	653-3001	#8 Lock Washer
6	461-0116	Disk mounting plate
7	650-3120	#6-32 x 3/8" Screw
8	449-0176	PCSII cover
9	449-0105	Bezel
10	279-1012	Base assembly
11		On/Off switch
12	650-6241	#10-32 x 3/4" Flat Head Screw
13	615-0359	Function Strip
14	478-0061	Clamp Nut
15	452-2517	Program clamp
16	452-2335/43	Keyboard finishing plate
17	271-1121	Keyboard assembly
18		Keyword switch
19	650-6121	#10-32 x 3/8" Screw
20	655-0166	Control knob
21	655-0009	Plug button
22	650-6322W	#10-32 x 1" Screw
23	655-0012	Air vent
24	651-0021W	#8-32 x 1/2" Screw
25	452-2580	Mounting clamp
26	449-0158	Mini-floppy base
27	653-6018	#6 Washer
28	653-2002	#6 Lock washer
29	650-3240	#6-32 x 3/4" Screw

PCS-II  
OUTER CHASSIS ASSEMBLY



CHANGE IN PROCESS  
 PER ECN 9659  
 DATE OCT 26 1978

QTY	NAME	MATERIAL	DESCRIPTION	DATE	APPROVED BY
1	RESISTOR	10K	10K OHM 1/4W	10/26/78	...
1	CAPACITOR	100UF	100UF 50V	10/26/78	...
1	DIODE	1N4148	1N4148	10/26/78	...
1	IC	7413	7413	10/26/78	...
1	IC	7414	7414	10/26/78	...
1	IC	7415	7415	10/26/78	...
1	IC	7416	7416	10/26/78	...
1	IC	7417	7417	10/26/78	...
1	IC	7418	7418	10/26/78	...
1	IC	7419	7419	10/26/78	...
1	IC	7420	7420	10/26/78	...
1	IC	7421	7421	10/26/78	...
1	IC	7422	7422	10/26/78	...
1	IC	7423	7423	10/26/78	...
1	IC	7424	7424	10/26/78	...
1	IC	7425	7425	10/26/78	...
1	IC	7426	7426	10/26/78	...
1	IC	7427	7427	10/26/78	...
1	IC	7428	7428	10/26/78	...
1	IC	7429	7429	10/26/78	...
1	IC	7430	7430	10/26/78	...
1	IC	7431	7431	10/26/78	...
1	IC	7432	7432	10/26/78	...
1	IC	7433	7433	10/26/78	...
1	IC	7434	7434	10/26/78	...
1	IC	7435	7435	10/26/78	...
1	IC	7436	7436	10/26/78	...
1	IC	7437	7437	10/26/78	...
1	IC	7438	7438	10/26/78	...
1	IC	7439	7439	10/26/78	...
1	IC	7440	7440	10/26/78	...
1	IC	7441	7441	10/26/78	...
1	IC	7442	7442	10/26/78	...
1	IC	7443	7443	10/26/78	...
1	IC	7444	7444	10/26/78	...
1	IC	7445	7445	10/26/78	...
1	IC	7446	7446	10/26/78	...
1	IC	7447	7447	10/26/78	...
1	IC	7448	7448	10/26/78	...
1	IC	7449	7449	10/26/78	...
1	IC	7450	7450	10/26/78	...
1	IC	7451	7451	10/26/78	...
1	IC	7452	7452	10/26/78	...
1	IC	7453	7453	10/26/78	...
1	IC	7454	7454	10/26/78	...
1	IC	7455	7455	10/26/78	...
1	IC	7456	7456	10/26/78	...
1	IC	7457	7457	10/26/78	...
1	IC	7458	7458	10/26/78	...
1	IC	7459	7459	10/26/78	...
1	IC	7460	7460	10/26/78	...
1	IC	7461	7461	10/26/78	...
1	IC	7462	7462	10/26/78	...
1	IC	7463	7463	10/26/78	...
1	IC	7464	7464	10/26/78	...
1	IC	7465	7465	10/26/78	...
1	IC	7466	7466	10/26/78	...
1	IC	7467	7467	10/26/78	...
1	IC	7468	7468	10/26/78	...
1	IC	7469	7469	10/26/78	...
1	IC	7470	7470	10/26/78	...
1	IC	7471	7471	10/26/78	...
1	IC	7472	7472	10/26/78	...
1	IC	7473	7473	10/26/78	...
1	IC	7474	7474	10/26/78	...
1	IC	7475	7475	10/26/78	...
1	IC	7476	7476	10/26/78	...
1	IC	7477	7477	10/26/78	...
1	IC	7478	7478	10/26/78	...
1	IC	7479	7479	10/26/78	...
1	IC	7480	7480	10/26/78	...
1	IC	7481	7481	10/26/78	...
1	IC	7482	7482	10/26/78	...
1	IC	7483	7483	10/26/78	...
1	IC	7484	7484	10/26/78	...
1	IC	7485	7485	10/26/78	...
1	IC	7486	7486	10/26/78	...
1	IC	7487	7487	10/26/78	...
1	IC	7488	7488	10/26/78	...
1	IC	7489	7489	10/26/78	...
1	IC	7490	7490	10/26/78	...
1	IC	7491	7491	10/26/78	...
1	IC	7492	7492	10/26/78	...
1	IC	7493	7493	10/26/78	...
1	IC	7494	7494	10/26/78	...
1	IC	7495	7495	10/26/78	...
1	IC	7496	7496	10/26/78	...
1	IC	7497	7497	10/26/78	...
1	IC	7498	7498	10/26/78	...
1	IC	7499	7499	10/26/78	...
1	IC	7500	7500	10/26/78	...



THIS DOCUMENT IS THE PROPERTY OF WANG LABORATORIES, INC. AND SHALL NOT BE LOANED, REPRODUCED, COPIED, OR DISSEMINATED FOR THE MANUFACTURE OR SALE OF ANY MACHINE OR DEVICE WITHOUT PERMISSION.

SPARES

I.C. TYPE	LOCATION	SPARES
7404	L3	1
7404	L25	1
7400	L6	1
7404	L11	4
7432	L13	2
7404	L36	2
7420	L37	1
7400	L52	2
7409	L51	1
7403	L65	1
7400	L85	1
7432	L87	1
7404	L40	3
7474	L50	1
7410	L62	1
7420	L94	1

JUMPER VARIATION CHART

	7054-60#	7054-150#	7054-260#	7054-350#
L10-2	V128	V256	V128	V256
L10-12	V64	L10-2	V64	L10-2
L10-4	V8	L10-11	V8	L10-11
L10-5	V4	L10-4	V4	L10-4
L10-6	V2	V1	V2	V1
L9-3	V32	V32	V32	V32
L9-4	V16	V16	V16	V16
L9-7	HIGH	HIGH	HIGH	HIGH
L9-12	20V	HIGH	20V	HIGH
L8-3	HIGH	20V	HIGH	20V
L8-10	20V	HIGH	20V	HIGH
L8-13	HIGH	20V	HIGH	20V
L49-2	L48-6	L48-7	L48-4	L48-7
R5, 6	LOAD	LOAD	LOAD	LOAD
R36-46	47K	47K	47K	47K
R62, 63	RESISTORS	RESISTORS		

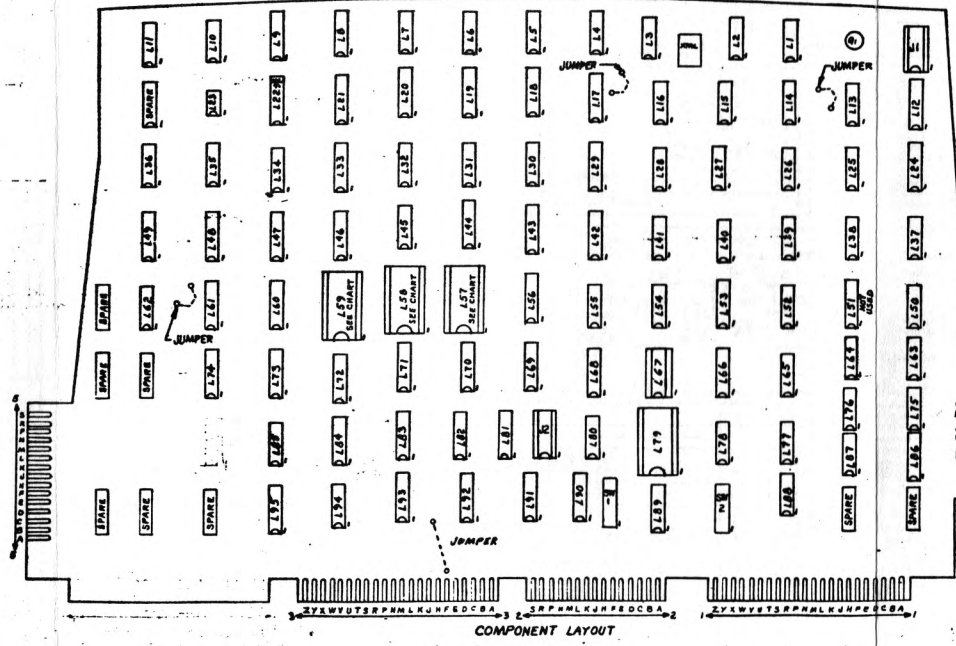
LOADING CHART

MODEL	PC BOARD	L57	L58	L59
210-7054-1B	209-7054-1	378-2047	NOT LOADED	NOT LOADED
210-7054-1C	209-7054-1	378-2047	NOT LOADED	NOT LOADED
210-7054-1D	209-7054-1	378-2047	NOT LOADED	NOT LOADED
210-7054-1E	209-7054-1	378-2047	NOT LOADED	NOT LOADED
210-7054-1F	209-7054-1	378-2047	NOT LOADED	NOT LOADED
210-7054-1G	209-7054-1	378-2047	NOT LOADED	NOT LOADED
210-7054-1H	209-7054-1	378-2047	NOT LOADED	NOT LOADED
210-7054-1I	209-7054-1	378-2047	NOT LOADED	NOT LOADED
210-7054-1J	209-7054-1	378-2047	NOT LOADED	NOT LOADED
210-7054-1K	209-7054-1	378-2047	NOT LOADED	NOT LOADED
210-7054-1L	209-7054-1	378-2047	NOT LOADED	NOT LOADED
210-7054-1M	209-7054-1	378-2047	NOT LOADED	NOT LOADED
210-7054-1N	209-7054-1	378-2047	NOT LOADED	NOT LOADED
210-7054-1O	209-7054-1	378-2047	NOT LOADED	NOT LOADED
210-7054-1P	209-7054-1	378-2047	NOT LOADED	NOT LOADED
210-7054-1Q	209-7054-1	378-2047	NOT LOADED	NOT LOADED
210-7054-1R	209-7054-1	378-2047	NOT LOADED	NOT LOADED
210-7054-1S	209-7054-1	378-2047	NOT LOADED	NOT LOADED
210-7054-1T	209-7054-1	378-2047	NOT LOADED	NOT LOADED
210-7054-1U	209-7054-1	378-2047	NOT LOADED	NOT LOADED
210-7054-1V	209-7054-1	378-2047	NOT LOADED	NOT LOADED
210-7054-1W	209-7054-1	378-2047	NOT LOADED	NOT LOADED
210-7054-1X	209-7054-1	378-2047	NOT LOADED	NOT LOADED
210-7054-1Y	209-7054-1	378-2047	NOT LOADED	NOT LOADED
210-7054-1Z	209-7054-1	378-2047	NOT LOADED	NOT LOADED

COMPONENT	W.L. PART NO.
R54	330-3010
R8, 9, 24	330-2047
R1, 10, 11, 12, 13, 14, 15, 16, 17, 18, 19, 20, 21, 22, 23, 25, 26, 27, 28, 29, 30, 31, 32, 33, 34, 35, 36, 37, 38, 39, 40, 41, 42, 43, 44, 45, 46, 47, 48, 49, 50, 51, 52, 53, 54, 55, 56, 57, 58, 59, 60, 61, 62, 63, 64, 65, 66, 67, 68, 69, 70, 71, 72, 73, 74, 75, 76, 77, 78, 79, 80, 81, 82, 83, 84, 85, 86, 87, 88, 89, 90, 91, 92, 93, 94, 95, 96, 97, 98, 99, 100	330-3022
R23	330-1047
R29	333-0017
R17, 18	331-1047
R22	331-2047
R20, 21, 45	330-2022
R23	330-2010
R36, 37, 57	330-2039
R53, 64	330-3047
R19	331-1015
R52	330-4018
R30, 49	330-4033
R55	330-3082
R31	330-4047
R66	330-2015
C1, 10, 16	300-1470
C2, 5, 25-47	300-1903
C4	300-1100
C9, 11, 49	300-1220
C3, 6, 12, 15	300-5006
C13	300-1906
C7, 14	300-5004
C14	300-4018
C17	300-4002
C18	300-4020
C19-22, 24	300-4022
C8	300-5007
C23	300-1390
SW. 1, 2	325-1503
SW. CAP. 1, 2	325-9047
XTAL	321-0019
J1, 2	376-9002T
Q1	375-1021
L57-59	376-9003
RMC. CONN.	350-2064 REF.

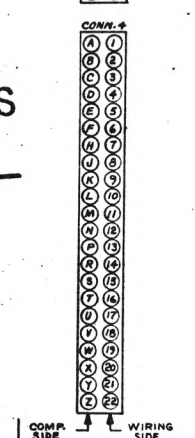
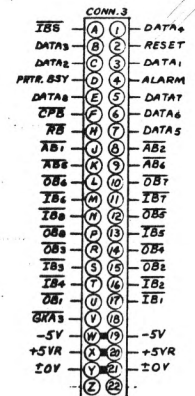
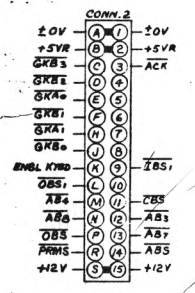
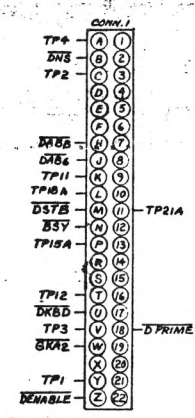
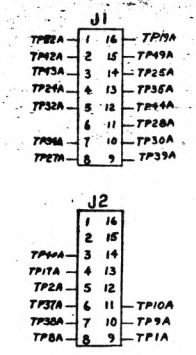
LOCATION	W.L. PART NO.	ITEM NO.	QTY.
L1, 7, 15, 27, 35, 53, 75	376-0006	7	14
L2, 4, 6, 8, 12, 55	376-0002	7	14
L3, 11, 16, 25, 34, 40, 77	376-0010	7	14
L5, 28, 47, 60, 85	376-0081	7	14
L8, 9, 47	376-0120	8	16
L10	376-0031	7	14
L12	376-0108	8	16
L13, 26, 87	376-0093	7	14
L17-21, 49	376-0094	8	16
L23	376-0126	1	8
L24, 86	376-0104	8	16
L29, 33, 42	376-0053	8	16
L30, 31, 32	376-0148	7	14
L34, 45	376-0011	10	5
L38, 39, 68	376-0016	7	14
L37, 94	376-0004	7	14
L43, 44, 46	376-0082	8	16
L48	376-0008	8	16
L47	376-9002		
L43	376-0051	7	14
L54	376-0054	7	14
L56, 61, 69, 92, 93	376-0119	8	16
L57, 58, 59	SEE CHART (SH-4)	12	24
L60	376-0105	8	16
L41, 62	376-0003	7	14
L63	376-0005	11	4
L65	376-0028	7	14
L64	376-0098	8	16
L47-74	377-0069	9	10
L79	376-0090	12	24
L82, 85, 91, 95	376-0189	8	16
L78	376-0125	7	14
L83, 90	376-0067	8	16
L22 (REMOVED)	376-0094	8	16

NOTE 1: L22 LOADED ON 7054-1 ONLY



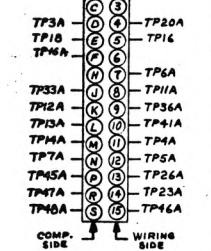
COMPONENT LAYOUT

CHANGE IN PROCESS  
PER ECN 9659  
DATE OCT 26 1978



HOLE LEGEND

DRILLED BY	HOLE DIA.	TOL.
118	1/16	±.002
118	3/32	±.002
331	1/8	±.002



SIGNAL-TERMINAL DESIGNATIONS, VIEW FROM BOTTOM (WIRING) SIDE OF CONNECTOR

REV.	DATE	BY	DESCRIPTION
1	11-17-77	JL	REVISED FOR...
2	11-17-77	JL	REVISED FOR...
3	11-17-77	JL	REVISED FOR...
4	11-17-77	JL	REVISED FOR...
5	11-17-77	JL	REVISED FOR...
6	11-17-77	JL	REVISED FOR...
7	11-17-77	JL	REVISED FOR...
8	11-17-77	JL	REVISED FOR...
9	11-17-77	JL	REVISED FOR...
10	11-17-77	JL	REVISED FOR...
11	11-17-77	JL	REVISED FOR...
12	11-17-77	JL	REVISED FOR...
13	11-17-77	JL	REVISED FOR...
14	11-17-77	JL	REVISED FOR...

WANG PART NO.	ITEM	QTY.	NAME	MATERIAL	DESCRIPTION
210-7054-1B	PC BOARD	1	WANG	2200 E4F	CRT FLOPPY & PRINTER CONTROL
210-7054-1C	PC BOARD	1	WANG	2200 E4F	CRT FLOPPY & PRINTER CONTROL
210-7054-1D	PC BOARD	1	WANG	2200 E4F	CRT FLOPPY & PRINTER CONTROL
210-7054-1E	PC BOARD	1	WANG	2200 E4F	CRT FLOPPY & PRINTER CONTROL
210-7054-1F	PC BOARD	1	WANG	2200 E4F	CRT FLOPPY & PRINTER CONTROL
210-7054-1G	PC BOARD	1	WANG	2200 E4F	CRT FLOPPY & PRINTER CONTROL
210-7054-1H	PC BOARD	1	WANG	2200 E4F	CRT FLOPPY & PRINTER CONTROL
210-7054-1I	PC BOARD	1	WANG	2200 E4F	CRT FLOPPY & PRINTER CONTROL
210-7054-1J	PC BOARD	1	WANG	2200 E4F	CRT FLOPPY & PRINTER CONTROL
210-7054-1K	PC BOARD	1	WANG	2200 E4F	CRT FLOPPY & PRINTER CONTROL
210-7054-1L	PC BOARD	1	WANG	2200 E4F	CRT FLOPPY & PRINTER CONTROL
210-7054-1M	PC BOARD	1	WANG	2200 E4F	CRT FLOPPY & PRINTER CONTROL
210-7054-1N	PC BOARD	1	WANG	2200 E4F	CRT FLOPPY & PRINTER CONTROL
210-7054-1O	PC BOARD	1	WANG	2200 E4F	CRT FLOPPY & PRINTER CONTROL
210-7054-1P	PC BOARD	1	WANG	2200 E4F	CRT FLOPPY & PRINTER CONTROL
210-7054-1Q	PC BOARD	1	WANG	2200 E4F	CRT FLOPPY & PRINTER CONTROL
210-7054-1R	PC BOARD	1	WANG	2200 E4F	CRT FLOPPY & PRINTER CONTROL
210-7054-1S	PC BOARD	1	WANG	2200 E4F	CRT FLOPPY & PRINTER CONTROL
210-7054-1T	PC BOARD	1	WANG	2200 E4F	CRT FLOPPY & PRINTER CONTROL
210-7054-1U	PC BOARD	1	WANG	2200 E4F	CRT FLOPPY & PRINTER CONTROL
210-7054-1V	PC BOARD	1	WANG	2200 E4F	CRT FLOPPY & PRINTER CONTROL
210-7054-1W	PC BOARD	1	WANG	2200 E4F	CRT FLOPPY & PRINTER CONTROL
210-7054-1X	PC BOARD	1	WANG	2200 E4F	CRT FLOPPY & PRINTER CONTROL
210-7054-1Y	PC BOARD	1	WANG	2200 E4F	CRT FLOPPY & PRINTER CONTROL
210-7054-1Z	PC BOARD	1	WANG	2200 E4F	CRT FLOPPY & PRINTER CONTROL









THIS DRAWING AND THE DATA SHOWN THERE ARE THE CONFIDENTIAL PROPERTY OF WANG LABORATORIES, INC. THIS DRAWING AND THE DATA SHOWN HEREON MAY NOT BE MADE PUBLIC WITHOUT THE WRITTEN CONSENT OF WANG LABORATORIES, INC. IF FOR ANY REASON THIS DRAWING IS PERMITTED BY WANG TO LEAVE THE PHYSICAL CUSTODY OF THE COMPANY, IT IS RETURNABLE UPON THE DEMAND OF WANG LABORATORIES, INC.

DO NOT SCALE

SIGNAL	SPARE	MEM.	CPU	I/O	MINI-DISK CONTROL	J1	J2	J3	J4
A0		L+	L+						
A1		F+	F+						
A2		3+	3+						
A3		2+	2+						
A4		12+	12+						
A5		E+	E+						
A6		18+	18+						
A7		M+	M+						
A8		8+	8+						
A9		11+	11+						
A10		V+	V+						
A11		K+	K+						
A12		6+	6+						
A13		7+	7+						
A14		9+	9+						
A15		19+	19+						
AB1	J3		J3	J3	U3				
AB2	B3		B3	B3	B3				
AB3	122		122	122	122				
AB4	M2		M2	M2	M2				
AB5	K3		K3	K3	K3				
AB6	93		93	93	93				
AB7	132		132	132	132				
AB8	N2		N2	N2	N2				
AB9	142		142	142	142				
ACK				32				10	
ARI		B3,23							
BA	C1					2			
BB	A1					3			
BSY				N1			4		
CA	B1					4			
CB	11					5			
CBS	112		112	112	112				
CC	21					6			
CD	31					20			
CF	41					8			
CH1		H2	H2						
CH2		Z1	Z1						
CH4		171	171						
CHB		181	181						
CK	L2	N2							
CL2		Y1	Y1						
CL4		U1	U1						
CLB		V1	V1						
CPB	F3		F3	F3	F3				18
DAB6				J1			34		
DAB5				H1			16		
DAST		43	43						
DATA1				33				2	
DATA2				C3				3	
DATA3				B3				4	
DATA4				13				5	
DATA5				73				6	
DATA6				63				7	
DATA7				53				8	
DATA8				E3				9	
DB	F1					15			
DD	E1					17			
DENABLE				Z1				1	

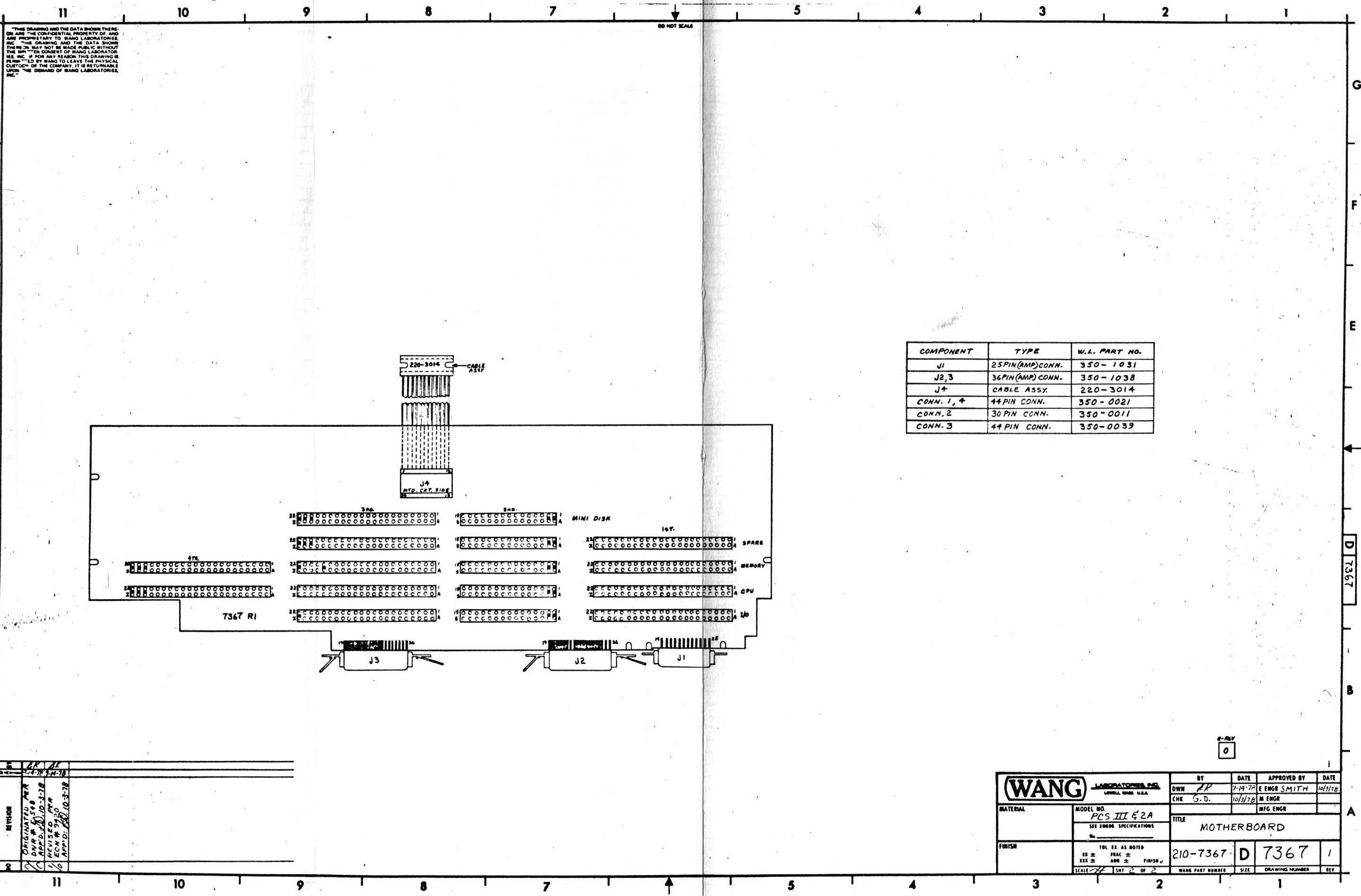
SIGNAL	SPARE	MEM.	CPU	I/O	MINI-DISK CONTROL	J1	J2	J3	J4
DIN		A3,13							
DI0		16+	16+						
DI1		15+	15+						
DI2		14+	14+						
DI3		17+	17+						
DKBD				U1			15		
DN3				B1			18		
DPRIME				181			36		
DSTB				M1				1	
ENBL KYBD				K2					13
GKA0				E2			10		
GKA1				H2			11		
GKA2				W1			12		
GKA3				V3			13		
GKB0				J2			7		
GKB1				F2			25		
GKB2				D2			8		
GKB3				C2			9		
HALT	33		33						17
IA1		S1	S1						
IA2		D1	D1						
IA3		C1	C1						
IA4		F1	F1						
IB1		T1	T1						
IB2		S1	S1						
IB3		R1	R1						
IB4		151	151						
IB1	173		173	173	173				6
IB2	163		163	163	163				7
IB3	53		53	53	53				24
IB4	T3		T3	T3	T3				8
IB5	133		133	133	133				23
IB6	M3		M3	M3	M3				21
IB7	113		113	113	113				20
IB8	N3		N3	N3	N3				22
IB9	13		13	13	13				16
IB5	A3		A3	A3	A3				15
IB51				92			14		
IC4		C2	C2						
ID1		L2	L2						
ID8		K2	K2						
Mc		V3,103							
MER		44	44						
MERO		141	141						
MHL		R2							
MOT		N1	N1						
MTF		P1	P1						
MXS		X1	X1						
OB1	U3		U3	U3	U3				
OB2	153		153	153	153				
OB3	R3		R3	R3	R3				
OB4	143		143	143	143				
OB5	123		123	123	123				
OB6	L3		L3	L3	L3				

SIGNAL	SPARE	MEM.	CPU	I/O	MINI-DISK CONTROL	J1	J2	J3	J4
OB7	103		103	103	103				
OB8	P3		P3	P3	P3				
OB5	P2		P2	P2	P2				
OB51				L2			17		
PRINTER BUSY				D3				11	
PRMS	R2		R2	R2	R2				14
RB	H3		H3	H3	H3				19
R0		111	111						
R1		M1	M1						
R2		121	121						
R3		81	81						
R4		H1	H1						
R5		Z1	Z1						
R6		J2	J2						
R7		F2	F2						
R8		161	161						
R9		W1	W1						
R10		31	31						
R11		191	191						
R12		E2	E2						
R14		201	201						
R15		D2	D2						
R16		211	211						
R17		131	131						
R18		101	101						
R19		L1	L1						
SCA	D1,61						11,19		
SCF	71						12		
SF6	51						18		
ST1-3		U4	U4						
ST3-3		134	134						
WTR			T2						
-5V	W3,193	X4,204	X4,204	W3,193	W3,193				5
+5VR	B2,22	B2,22	B2,22	B2,22	B2,22				4
±2V	A2,13	A2,13	A2,13	A2,13	A2,13	7	19-24,26-33,35	16	1,2,3
-12V	Z3,223	Z3,223	Z3,223	Z3,223	Z3,223				10
+12V	S2,152	S2,152	S2,152	S2,152	S2,152				11
+17V									9
CH.GND.							1	17	12

REVISION	

<b>WANG</b> LABORATORIES, INC. LONG BEACH, CALIF. U.S.A.		BY DWN	DATE 2-14-72	APPROVED BY E ENGR	DATE
MATERIAL	MODEL NO PC5-1122A	CHE		M ENGR	
SEE ENGINE SPECIFICATIONS		TITLE MOTHERBOARD			
FINISH	TOL. EX. AS NOTED	210-7367 D 7367 0			
SCALE: 1" = 1.0"		WANG PART NUMBER	SIZE	DRAWING NUMBER	REV





THIS DRAWING AND THE DATA SHOWN THEREON ARE THE CONFIDENTIAL PROPERTY OF AND ARE PROPRIETARY TO WANG LABORATORIES, INC. THE DRAWING AND THE DATA SHOWN THEREON MAY NOT BE MADE PUBLIC WITHOUT THE WRITTEN CONSENT OF WANG LABORATORIES, INC. IF FOR ANY REASON THIS DRAWING IS PERMITTED BY WANG TO LEAVE THE PHYSICAL CUSTODY OF THE COMPANY, IT IS RETURNABLE UPON THE DEMAND OF WANG LABORATORIES, INC.

COMPONENT	TYPE	W.L. PART NO.
J1	25 PIN (AMP) CONN.	350-1031
J2,3	36 PIN (AMP) CONN.	350-1038
J4	CABLE ASSY.	220-3014
CONN. 1, 4	44 PIN CONN.	350-0021
CONN. 2	30 PIN CONN.	350-0011
CONN. 3	44 PIN CONN.	350-0039

REV	DATE	BY	DESCRIPTION
1	1-4-78	AK	ORIGINATED FOR
2	1-14-78	AK	CHANGED TO 10-3-78
3	1-14-78	AK	CHANGED TO 10-3-78
4	1-14-78	AK	CHANGED TO 10-3-78
5	1-14-78	AK	CHANGED TO 10-3-78

<b>WANG</b> LABORATORIES, INC. LOWELL, MASS. U.S.A.		BY DWN CHK G.D.	DATE 2-14-78 10/3/78	APPROVED BY E ENGR SMITH M ENGR	DATE 10/3/78
MATERIAL	MODEL NO. PCS III & 2A SEE ENGR SPECIFICATIONS	TITLE MOTHERBOARD			
FINISH	TOL EX AS NOTED XX ± PRAC ± XXX ± ANG ± FINISH ✓	210-7367	D	7367	1
SCALE	SHT 2 OF 2	WANG PART NUMBER	SIZE	DRAWING NUMBER	REV